

FISHER & PAYKEL

DOUBLE DISHDRAWER™ DISHWASHER

DD24DDFT & DD24DV2T
models

INSTALLATION GUIDE

US CA

591385 A 08.17

⚠ WARNING!



Electrical Shock Hazard

Before installing the dishwasher, remove the house fuse or open the circuit breaker. If permanently connecting the dishwasher, be sure the power is isolated and the dishwasher unplugged.

GROUNDING INSTRUCTIONS

This appliance must be grounded. In the event of a malfunction or breakdown, grounding will reduce the risk of electric shock by providing a path of least resistance for electric current. This appliance is equipped with a cord having an equipment-grounding conductor and a grounding plug. The plug must be plugged into an appropriate outlet that is installed and grounded in accordance with all local codes and ordinances. **WARNING - Improper connection of the equipment-grounding conductor can result in a risk of electric shock. Check with a qualified electrician or service representative if you are in doubt as to whether the appliance is properly grounded.**

If the dishwasher is installed as a permanently connected appliance:

GROUNDING INSTRUCTIONS - This appliance must be connected to a grounded metal, permanent wiring system, or an equipment-grounding conductor must be run with the circuit conductors and connected to the equipment-grounding terminal or lead on the appliance.

Do not modify the power supply plug provided with the appliance - if it will not fit the outlet, have a proper outlet installed by a qualified electrician. Do not use an extension cord, adapter plug or multiple outlet box.

Failure to follow this advice may result in electrical shock or death.

IMPORTANT SAFETY INSTRUCTIONS

- Installation of this dishwasher requires basic mechanical and electrical skills.
- Be sure to leave these Instructions with the Customer.
- Installation must comply with your local building, electricity, and plumbing regulations.
- At the completion of the dishwasher installation, the installer must perform the Final Checklist.
- Remove all packaging materials supplied with the dishwasher.
- This dishwasher is manufactured for indoor use only.
- Ensure all water connections are turned OFF. It is the responsibility of the plumber and electrician to ensure that each installation complies with all Codes and Regulations.
- The dishwasher **MUST** be installed to allow for future removal from the enclosure if service is required.
- The switched power outlet must be outside the dishwasher cavity, so that it is accessible after installation.
- Care should be taken when the appliance is installed or removed to reduce the likelihood of damage to the power supply cord and hoses.
- If the dishwasher is to be relocated from one installation to another it must be kept upright to avoid damage from water spillage.
- Make sure only new hoses are used for connection (supplied with the dishwasher). Old hoses should not be reused.
- Failure to install the dishwasher correctly could invalidate any warranty or liability claims.
- If the product is installed in a motor vehicle, boat or similar mobile facility, you must bring the vehicle, boat or mobile facility containing the product to the service shop at your expense or pay the service technician's travel to the location of the product.
- This dishwasher is intended for connection to the hot-water supply.

⚠ WARNING!



Cut Hazard

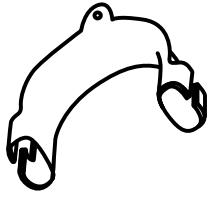
Take care - panel edges are sharp.

Failure to use caution could result in injury or cuts.

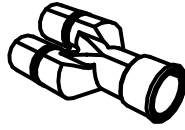
**IMPORTANT!
SAVE THESE INSTRUCTIONS**

The models shown in this installation guide may not be available in all markets and are subject to change at any time. For current details about model and specification availability in your country, please go to our website www.fisherpaykel.com or contact your local Fisher & Paykel dealer.

② PARTS SUPPLIED



Drain hose support (1)



Drain hose joiner (1)



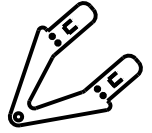
Wire clip (2)
(for securing
Drain hose joiner)



Clamp (1)
(for securing
Drain hose joiner)



Side mounting
bracket kit
(A and B) (2)
OPTIONAL



Top
mounting
brackets (2)
OPTIONAL



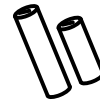
Phillips
5/8" (16 mm)
screws (9)



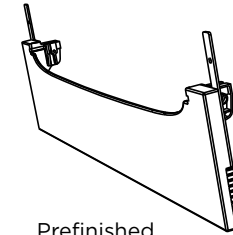
Rubber washer
for inlet hose (1)
(comes already
fitted)



Moisture protection
tape (1)
(to prevent moisture
damage to cabinetry)



Hexagonal
socket for feet
adjustment (2)
(long & short)



Prefinished
toekick (1)

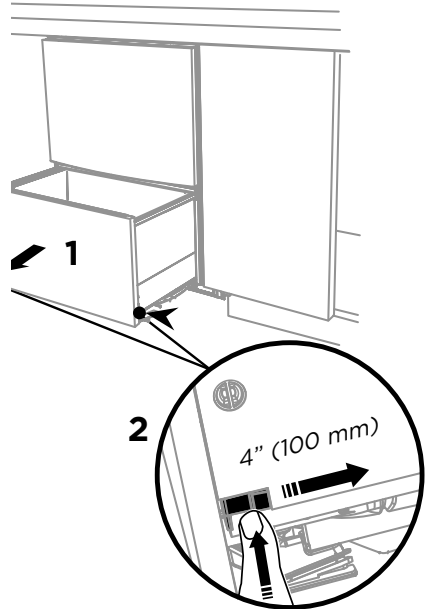


Edge Protector (1)
(If the services hole
is through a metal
partition, the hole must
be protected with the
Edge Protector supplied
to prevent damage to the
power cord or hoses.)

If the Drain hoses supplied are not long enough to reach your services, you must use a Drain Hose Extension Kit P/N 525798 which will extend the drain hoses by 11' 10" (3.6m). The kit is available from the nearest Fisher & Paykel Authorized Service Center, or Toll free 1.888.936.7872 or www.fisherpaykel.com

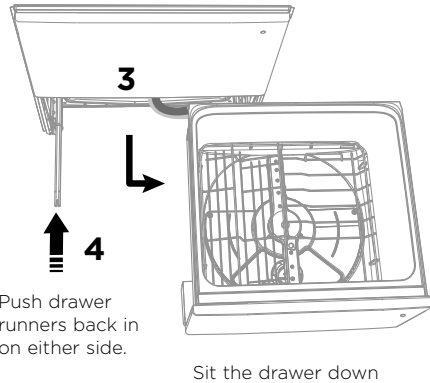
3 OPTIONALLY HARD WIRING PRIOR TO INSTALLATION

3-A REMOVE THE LOWER DRAWER



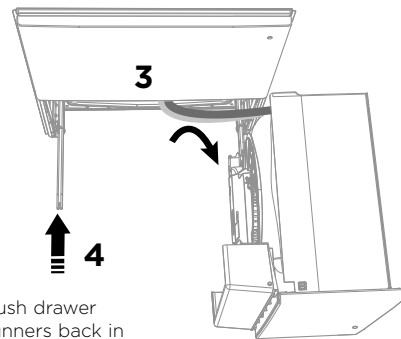
Press the release tabs in on either side and push back to release drawer from runners. Lift drawer off runners.

To prevent kinked hoses
Either sit the drawer down on the left hand side (recommended) or rotate the drawer clockwise, resting it on its side after removal.



Push drawer runners back in on either side.

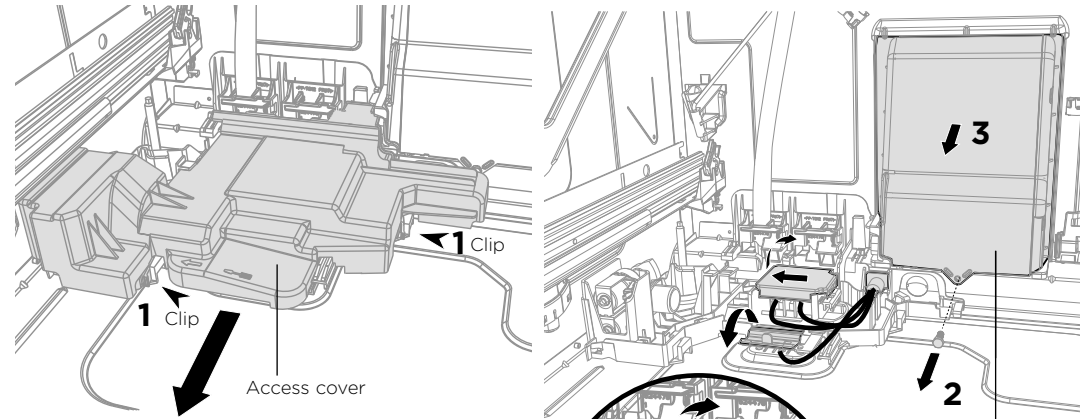
Sit the drawer down



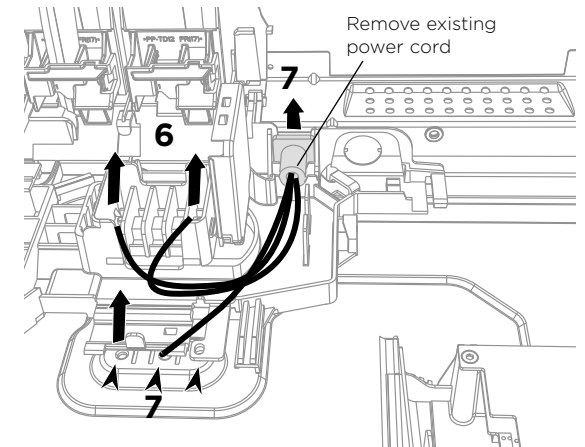
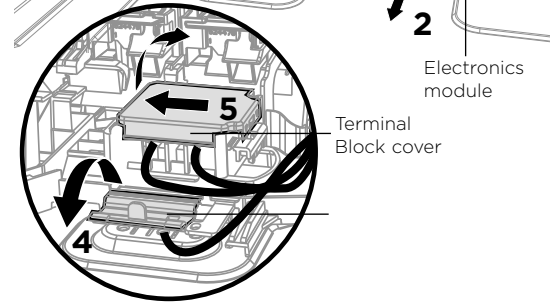
Push drawer runners back in on either side.

Rotate the drawer clockwise (max. 90°) and rest on side.

3-B REMOVE THE ACCESS COVER & REMOVE POWER

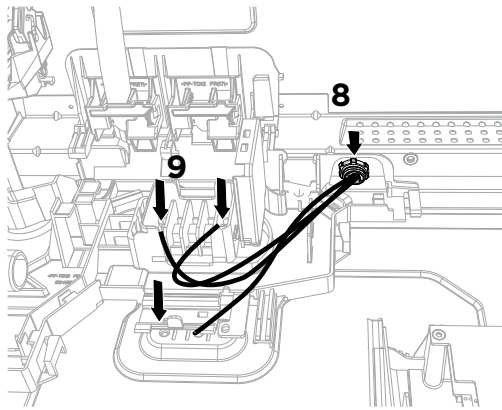


- 1 With a flat-bladed screwdriver, push in the clips and slide out the access cover.
- 2 Unscrew the electronics module cover.
- 3 Carefully pull out the electronics module and rest on the chassis base out of the way.
- 4 With a screwdriver, unclip the plastic harness cover and hinge open.
- 5 Slide the terminal block cover sideways to unlock and hinge open to access the terminal block.
- 6 Unscrew the Live, Neutral and Earth wires as shown.
- 7 Unscrew the three screws on the base as shown and remove the cord from the product.

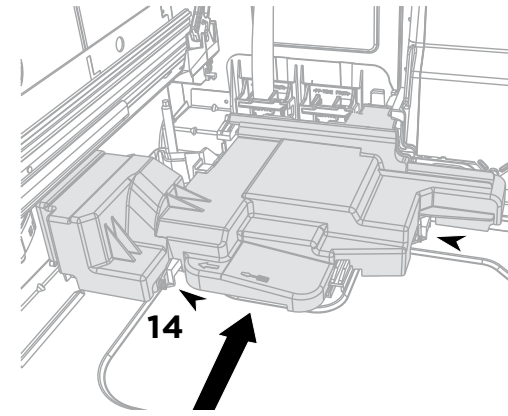
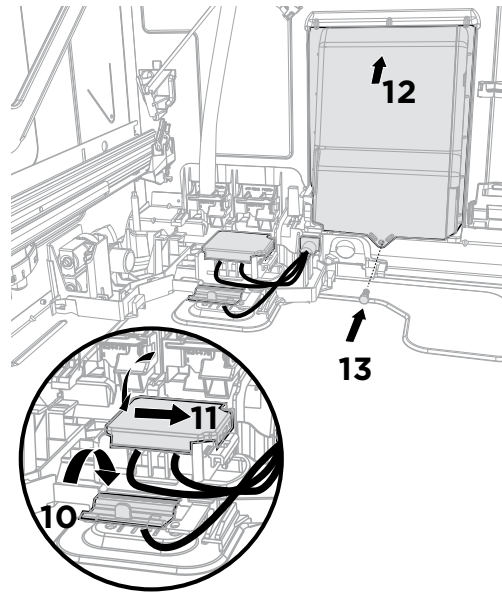


③ OPTIONALLY HARD WIRING PRIOR TO INSTALLATION

③-C TERMINATE MAINS WIRING AS SHOWN AND REPLACE MODULE AND COVERS

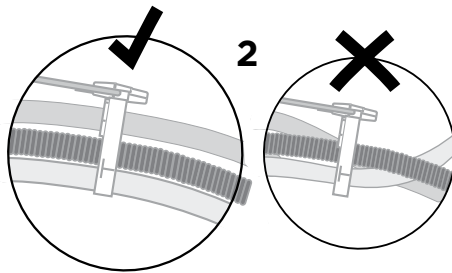


IMPORTANT!
Ensure the mains wires are routed **UNDERNEATH** all other harness wiring from the electronics module.

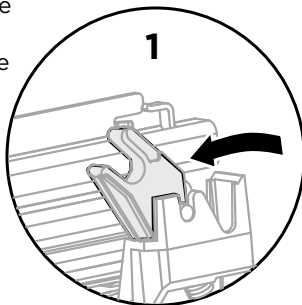


- 8 Fit a suitable cable clamp for the conduit through the metal knockout. Ensure wiring is routed through or under under housing ribs.
 - 9 Screw down the Live, Neutral and Earth wires correctly.
 - 10 Push the plastic harness cover back over. It should clip back into place
 - 11 Fold down and slide back the terminal block cover.
 - 12 Refit the electronics module back into position, being careful of wiring.
 - 13 Replace the screw securing the electronics module.
 - 14 Slide the access cover back, ensuring the 2 clips shown are fully locked in place.
- NOTE: Use copper conductors only.

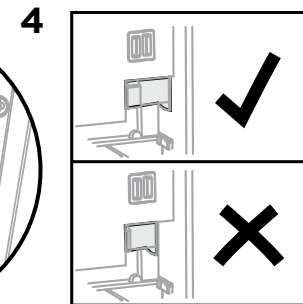
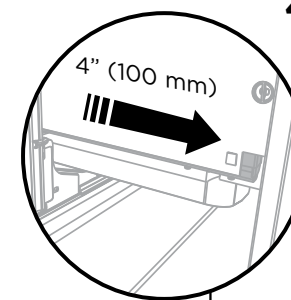
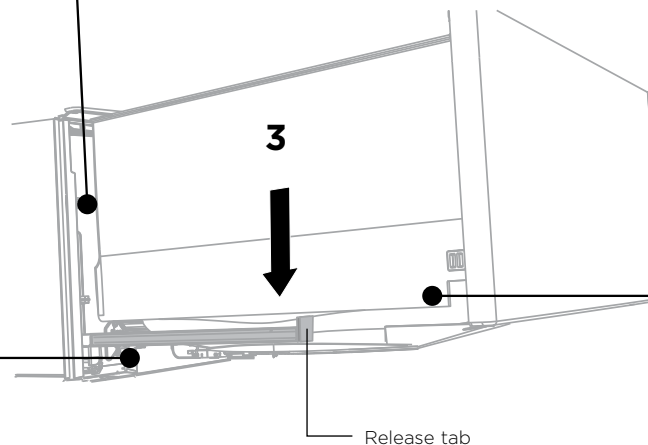
③-D REFIT THE DRAWER ONTO THE RUNNERS & CLOSE



Before refitting the drawer, ensure the hoses are not twisted and the latches at the rear of each drawer runner are facing forward.



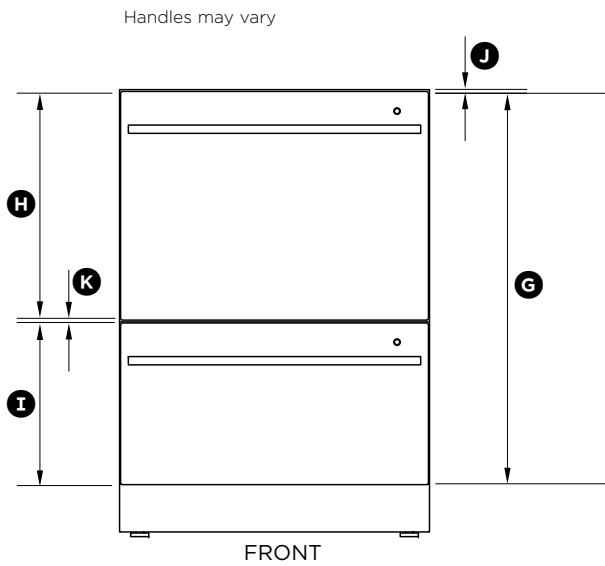
Lift or rotate counter-clockwise the drawer back onto the drawer runners on either side.



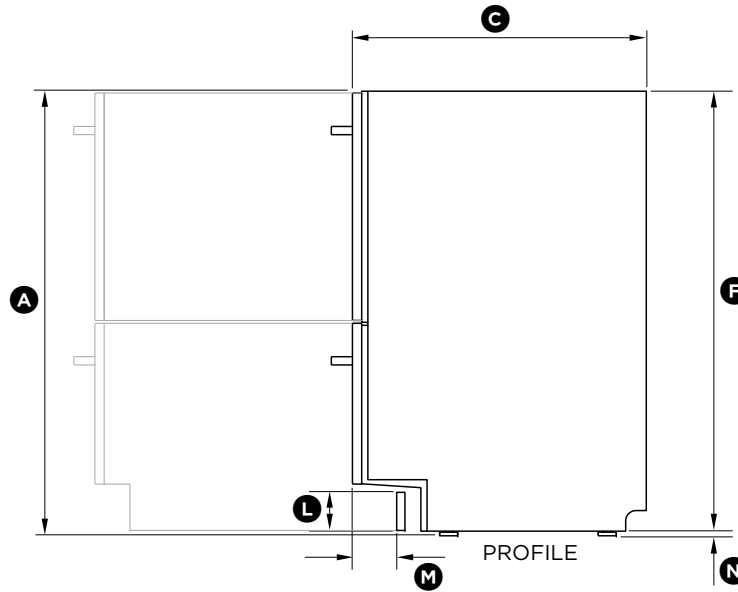
Pull the release tabs forward on both sides 4" (100 mm). Ensure the tabs are fully pulled forward and click into place.

4 PRODUCT DIMENSIONS

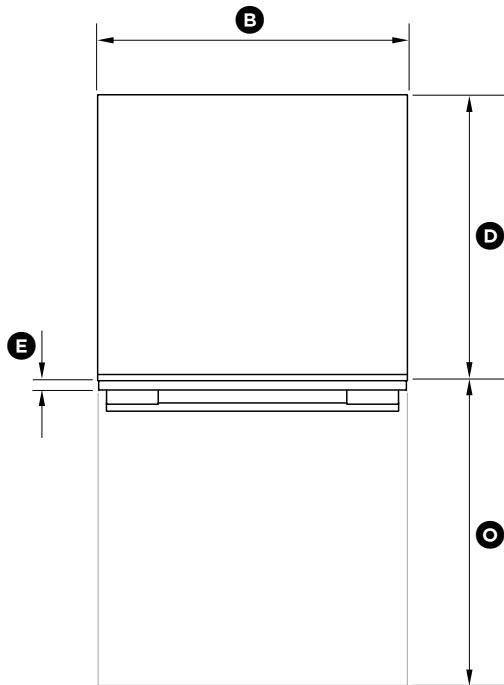
Handles may vary



FRONT



PROFILE



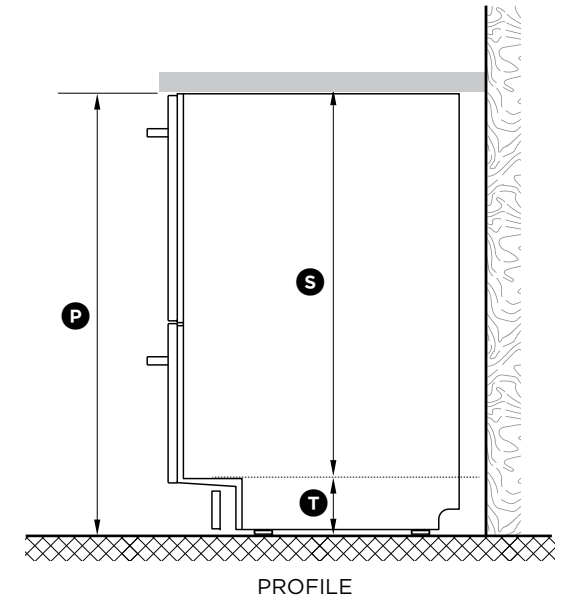
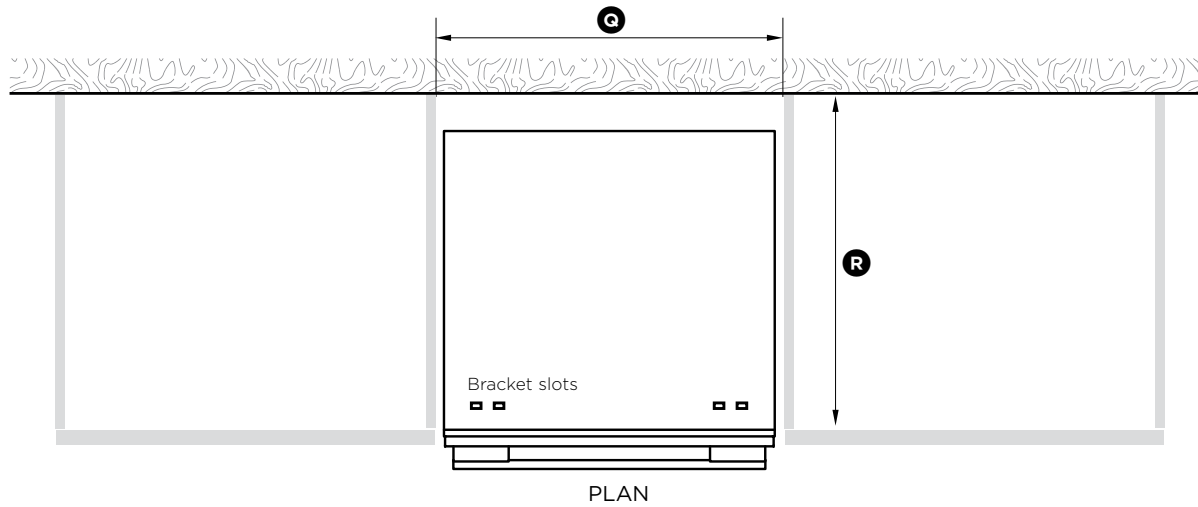
PLAN

PRODUCT DIMENSIONS	DD24DDFT	DD24DV2T
	INCHES (MM)	INCHES (MM)
(A) Overall height of product ¹	34 - 36 3/8" (864-924) ²	34 - 36 3/8" (864-924) ²
(B) Overall width of product	23 9/16" (599)	23 13/16" (605)
(C) Overall depth of product (excl. handle)	22 9/16" (573)	22 3/4" (578)
(D) Depth of chassis (to back of front drawer panel)	21 3/4" (553)	21 3/4" (553)
(E) Depth of drawer front panel (excl. handle)	13/16" (20)	1" (25)
(F) Height of chassis ¹	33 11/16" (855)	33 11/16" (855)
(G) Height of drawer front panels	30" (762)	30" (762)
(H) Height of upper drawer front panel	17 3/8" (442)	17 3/8" (442)
(I) Height of lower drawer front panel	12 1/4" (312)	12 1/4" (312)
(J) Height from top of drawer front panel to top of chassis	1/16" (2)	1/16" (2)
(K) Ventilation gap between drawer front panels	5/16" (8)	5/16" (8)
(L) Height of toe-kick (customisable)	2 13/16 - 5" (72-127)	2 13/16 - 5" (72-127)
(M) Depth from front of drawer panel to front of toe-kick (adjustable) ³	1 1/2 - 4" (38-102)	1 11/16 - 4 3/16" (43-107)
(N) Height of leveling feet (adjustable)	3/8 - 2 11/16" (9-69) ²	3/8 - 2 11/16" (9-69) ²
(O) Maximum extension of drawer	21 9/16" (547)	21 9/16" (547)

¹ includes 1/16" (2mm) high bracket slots ² depending on adjustment of leveling feet

³ adjustable to match toe-kick recess on adjoining cabinetry

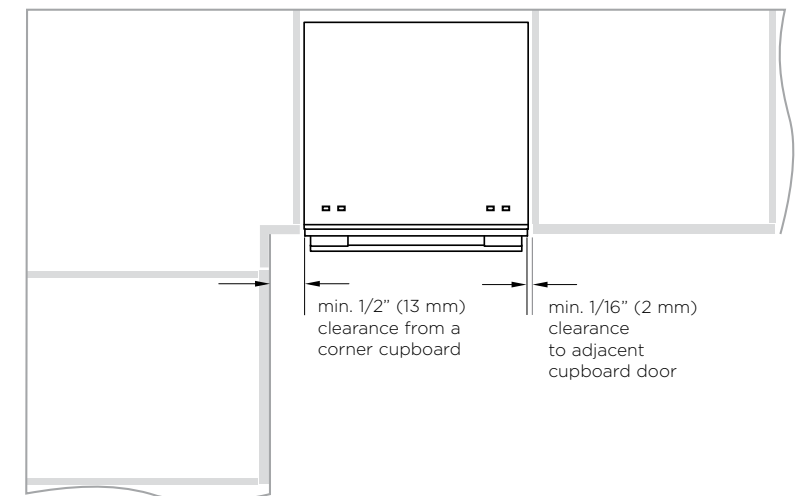
5 CABINETY DIMENSIONS



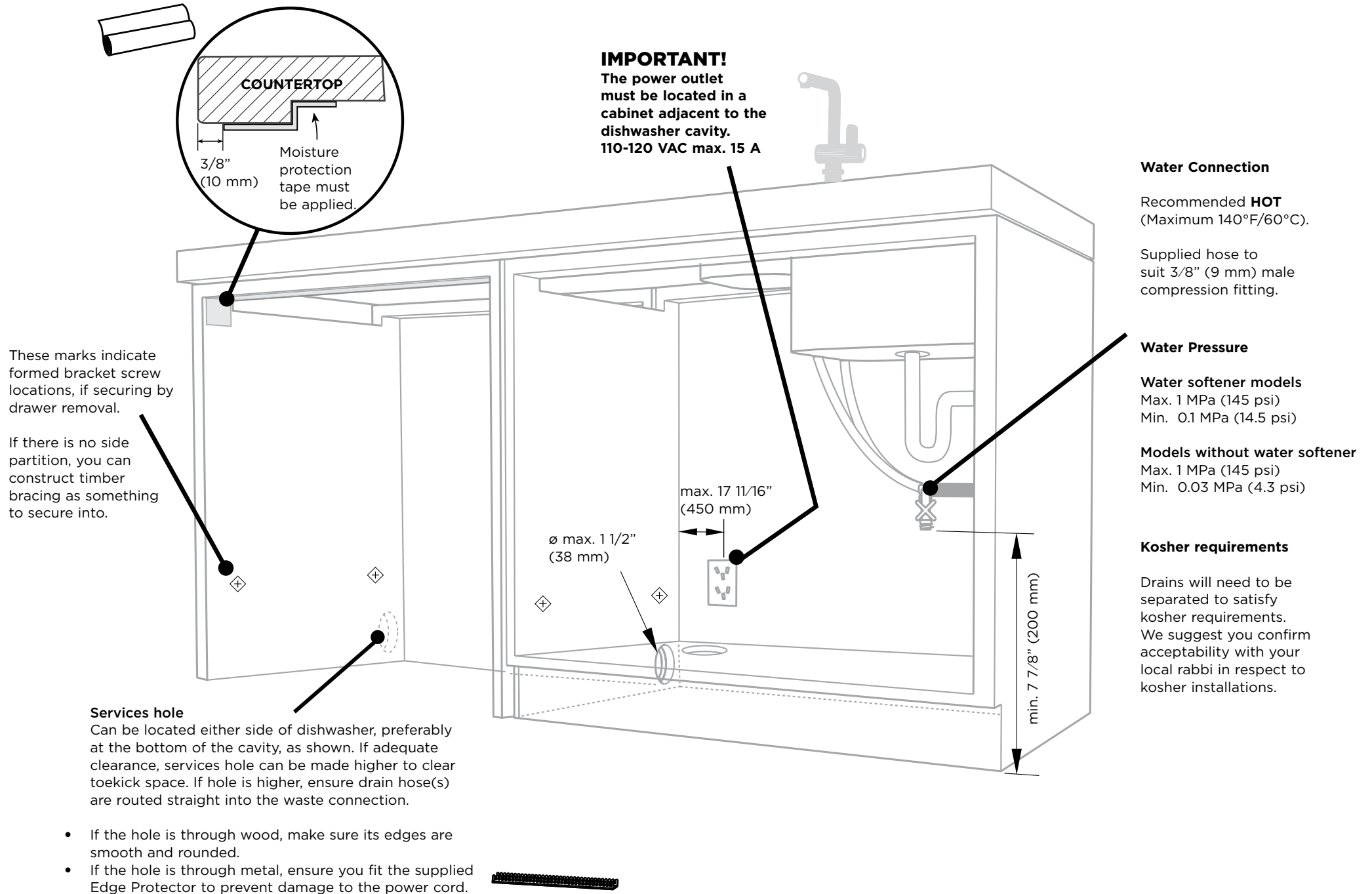
CABINETY DIMENSIONS	DD24DDFT	DD24DV2T
	INCHES (MM)	INCHES (MM)
Ⓟ Inside height of cavity*	min. 34" (864)	min. 34" (864)
ⓐ Inside width of cavity	23 5/8" (600)	24" (610)
Ⓡ Inside depth of cavity	min. 22 1/16" (560)	min. 22 1/16" (560)
Ⓢ Recommended height of adjacent cabinet space	30" (762)	30" (762)
Ⓣ Height of toekick space*	3 15/16" - 6 5/16" (100-160)	3 15/16" - 6 5/16" (100-160)

* depending on adjustment of leveling feet

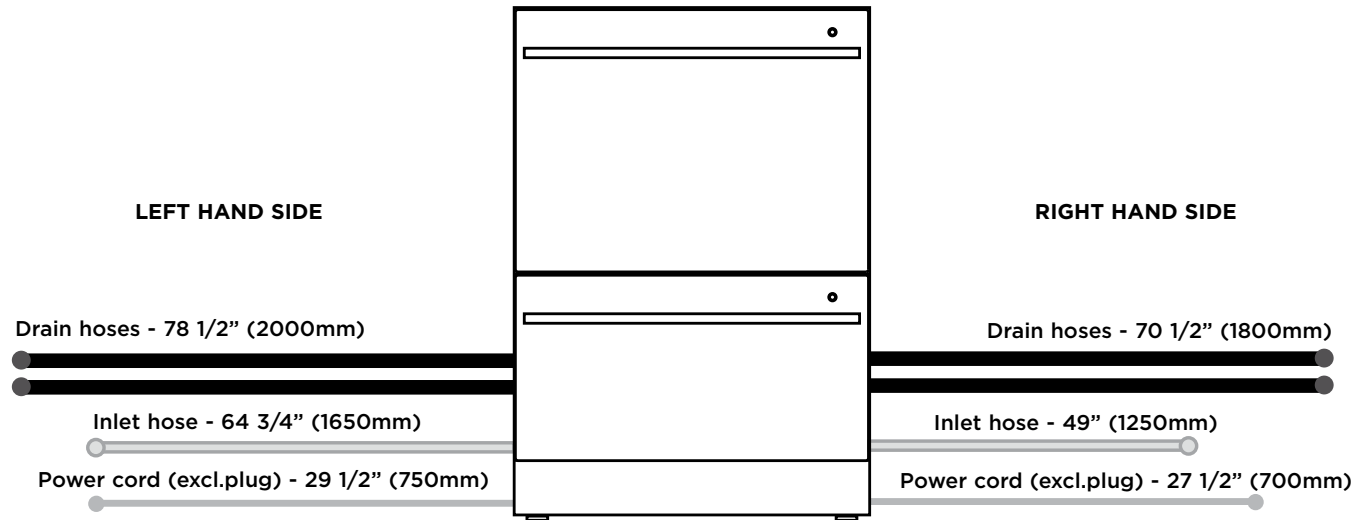
Minimum clearances from adjacent cabinetry



⑥ CAVITY PREPARATION

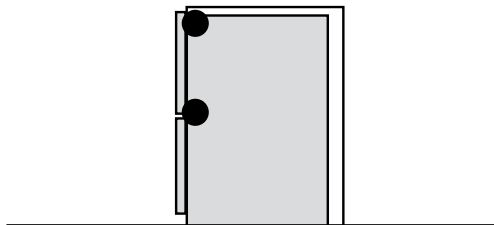


⑦ **MAXIMUM DISTANCE OF HOSES & CORD FROM CHASSIS EDGE**



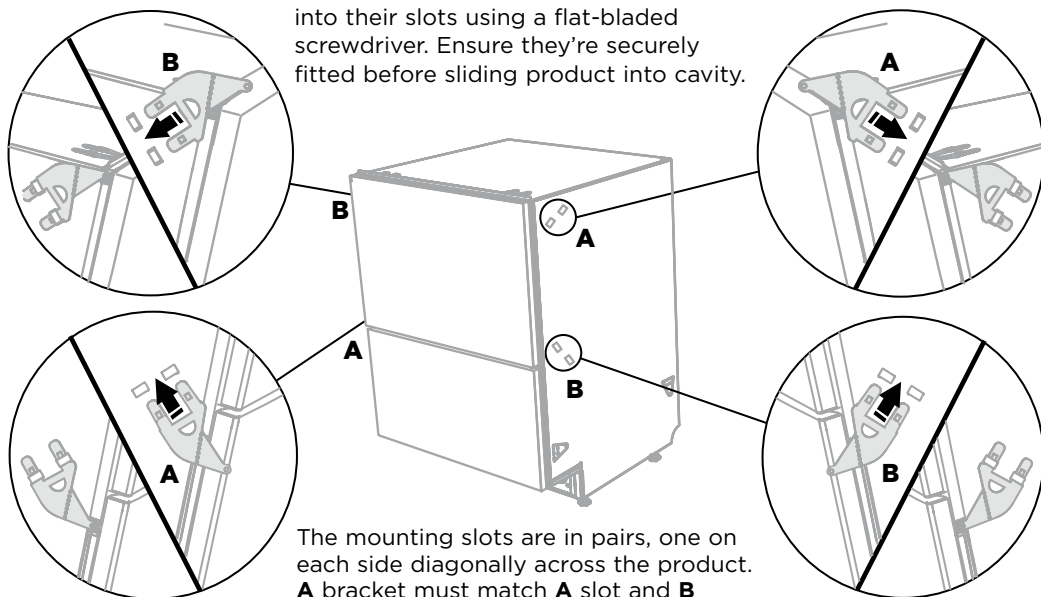
NOW CHOOSE WHICH INSTALLATION METHOD (A) OR (B) IS MORE SUITABLE FOR YOUR CABINETRY...

8 RECOMMENDED METHOD (A) - SECURE WITHOUT DRAWER REMOVAL (FRAMELESS CABINETRY ONLY)

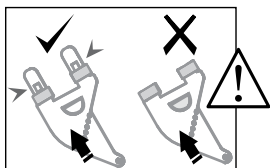


8-A ATTACH SIDE MOUNTING BRACKETS

Clip all four side mounting brackets into their slots using a flat-bladed screwdriver. Ensure they're securely fitted before sliding product into cavity.



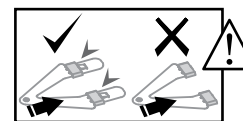
The mounting slots are in pairs, one on each side diagonally across the product. **A** bracket must match **A** slot and **B** bracket must match **B** slot.



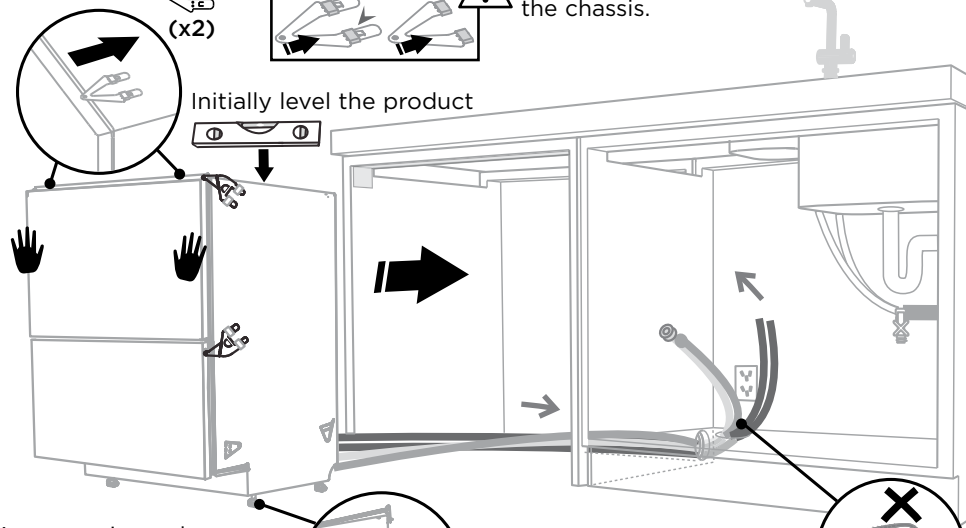
When fitting brackets, ensure the ends are not pushed down into the chassis.

9-A PULL THROUGH HOSES & PUSH INTO THE CAVITY

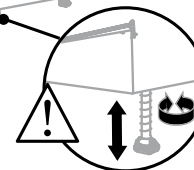
optionally attach the two top mounting brackets (x2)



When fitting brackets, ensure the ends are not pushed down into the chassis.

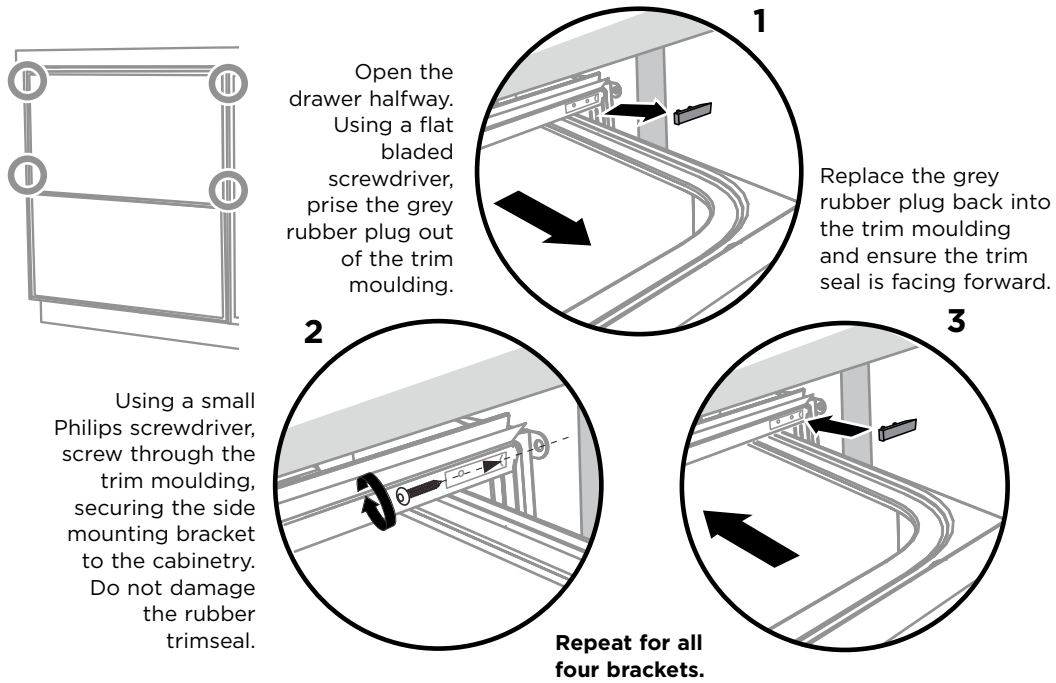


You can raise or lower the product by twisting the feet. Then take care when pushing the product into the cavity that you do not bend the feet.

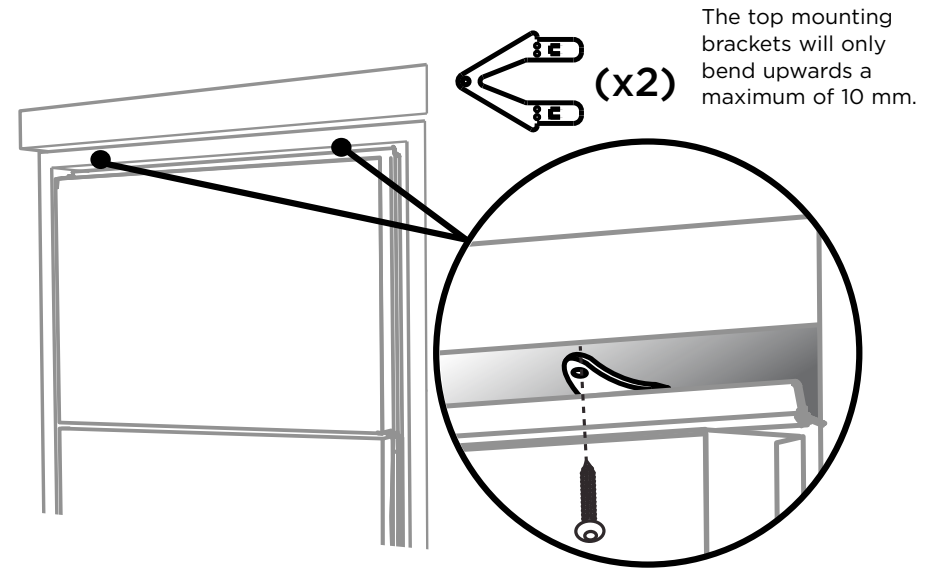


As you push product in, pull through hoses and cord, ensuring they don't get kinked or twisted.

10-A SECURE TO THE CABINERY ON THE SIDES

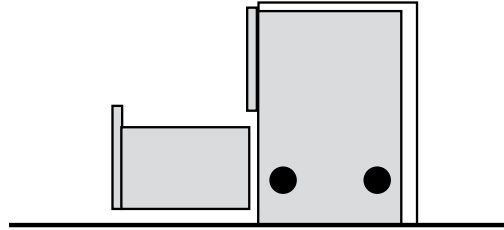


11-A OPTIONALLY SECURE TO THE CABINERY ABOVE



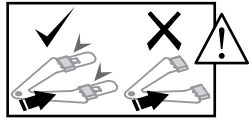
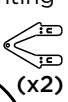
12-A AFTER SECURING, REFER TO 'FIT THE SUPPLIED TOEKICK PANEL' STEP

8 ALTERNATIVE METHOD (B) - SECURE BY DRAWER REMOVAL

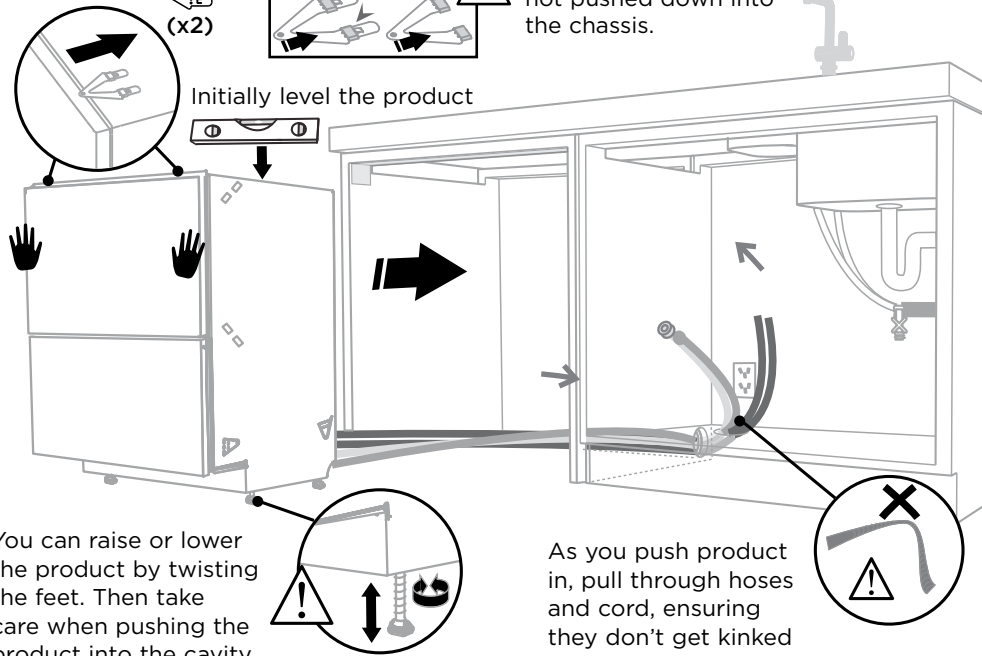


8-B PULL THROUGH HOSES & PUSH INTO THE CAVITY

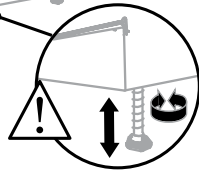
optionally attach the two top mounting brackets



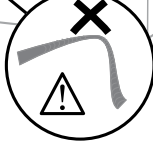
When fitting brackets, ensure the ends are not pushed down into the chassis.



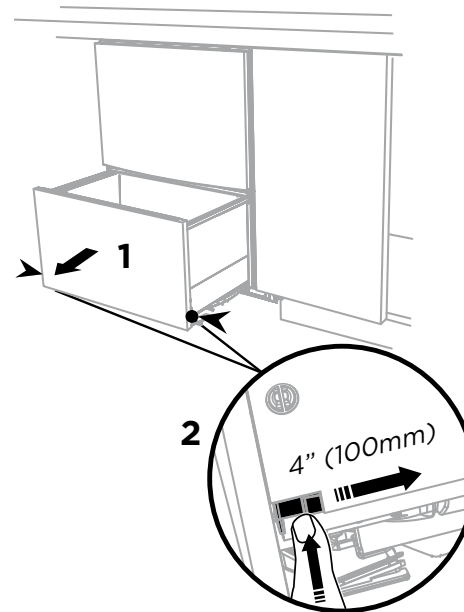
You can raise or lower the product by twisting the feet. Then take care when pushing the product into the cavity that you do not bend the feet.



As you push product in, pull through hoses and cord, ensuring they don't get kinked or twisted.

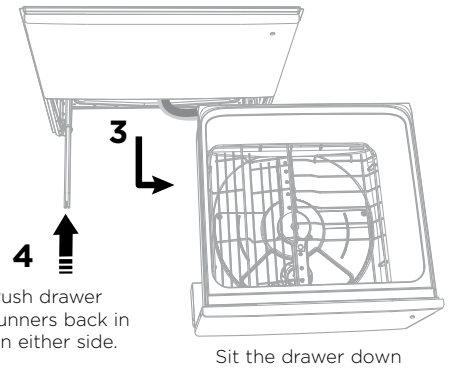


9-B REMOVE THE LOWER DRAWER



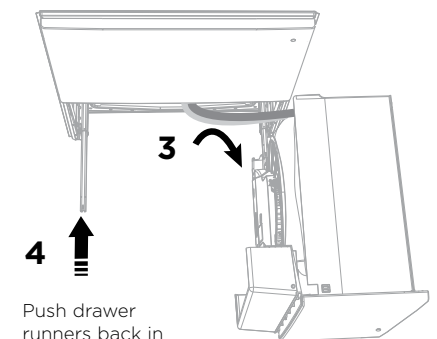
Press the release tabs in on either side and push back to release drawer from runners. Lift drawer off runners.

To prevent kinked hoses
Either sit the drawer down on the left hand side (recommended) or rotate the drawer clockwise, resting it on its side after removal.



Push drawer runners back in on either side.

Sit the drawer down

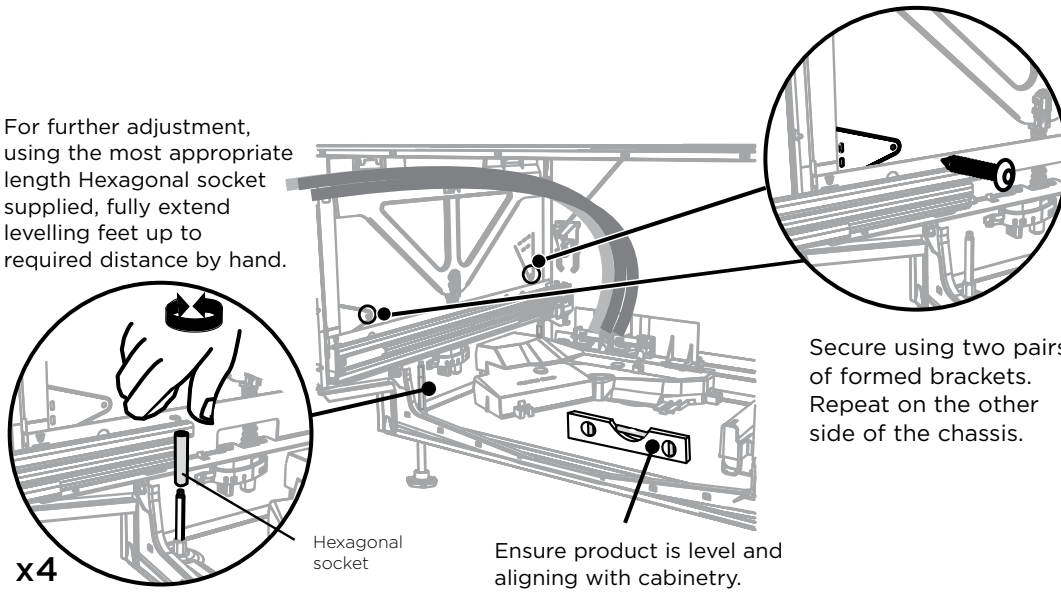


Push drawer runners back in on either side.

Rotate the drawer clockwise (max. 90°) and rest on side.

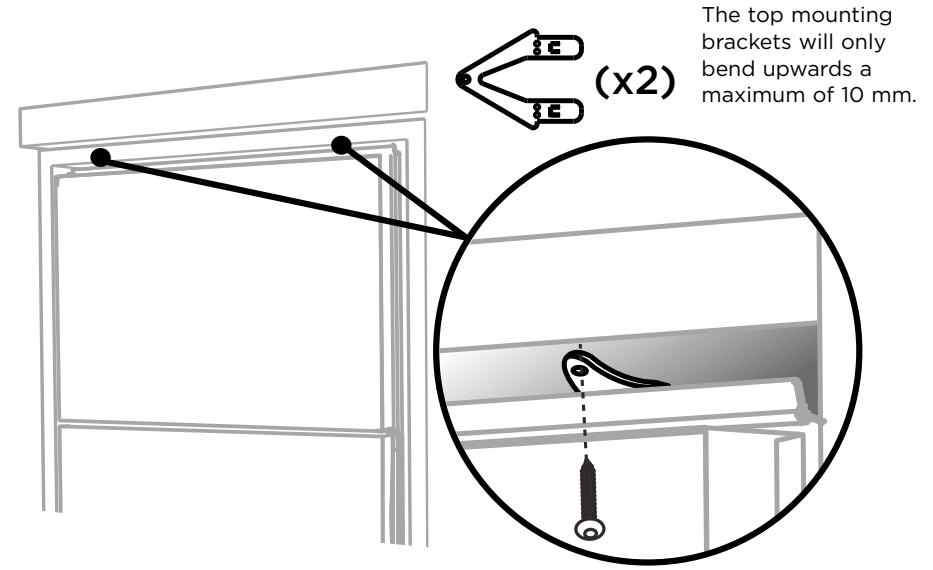
10-B SECURE TO THE CABINETRY ON THE SIDES

For further adjustment, using the most appropriate length Hexagonal socket supplied, fully extend levelling feet up to required distance by hand.

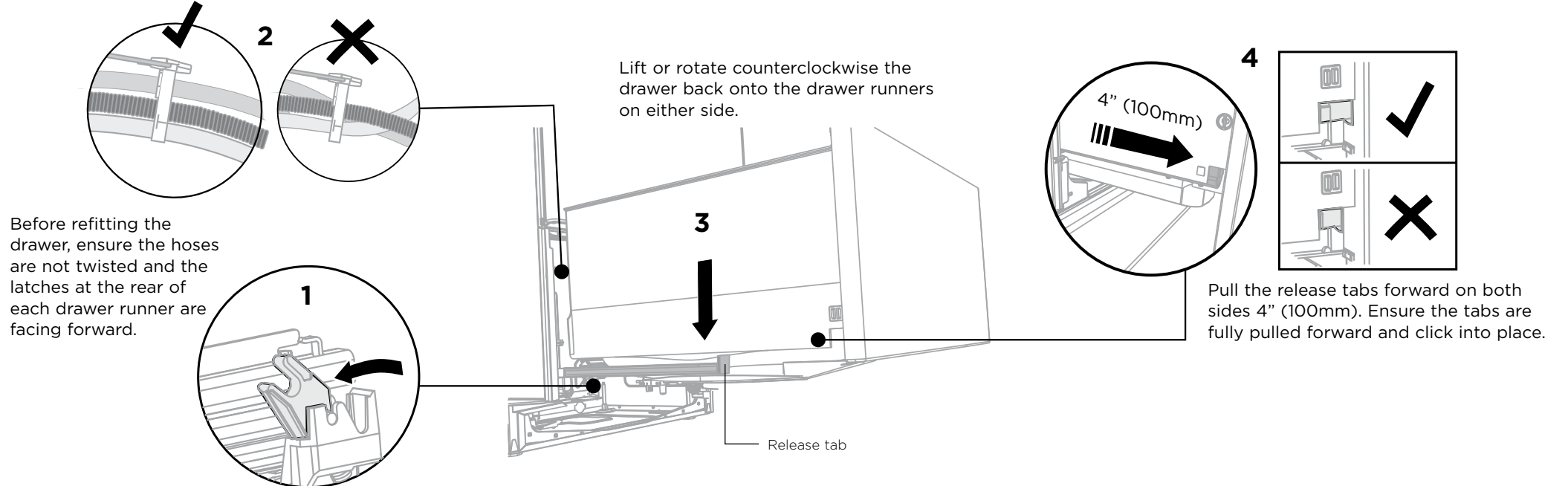


x4

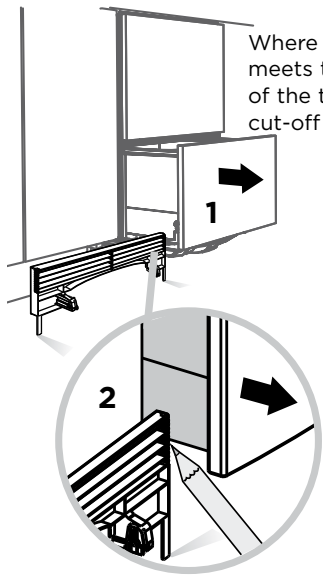
11-B OPTIONALLY SECURE TO THE CABINETRY ABOVE



12-B REFIT THE DRAWER ONTO THE RUNNERS

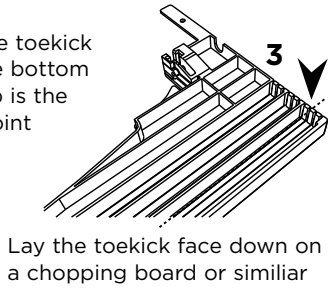


13 FIT THE SUPPLIED TOEKICK PANEL

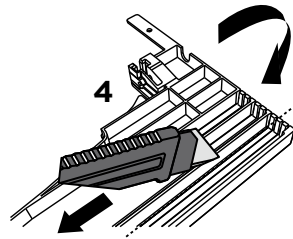


Where the toekick meets the bottom of the tub is the cut-off point

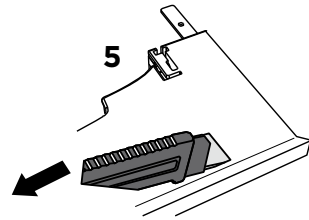
Mark this point on the toekick with a pencil



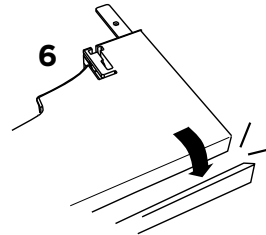
Lay the toekick face down on a chopping board or similar



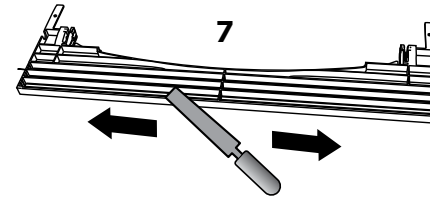
Score along the marked cutoff line with a knife



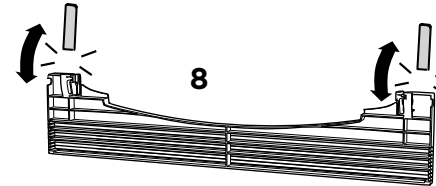
Turn the toekick over and score along the same line



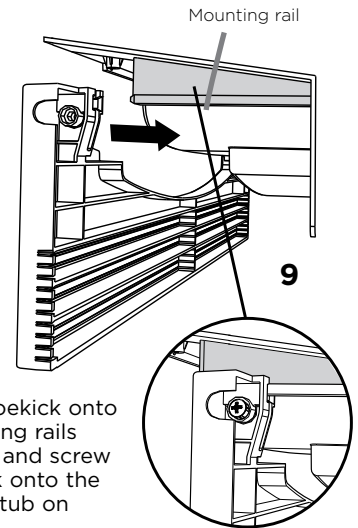
Gently snap off the excess



Smooth the edges with a file. Be careful of sharp edges.



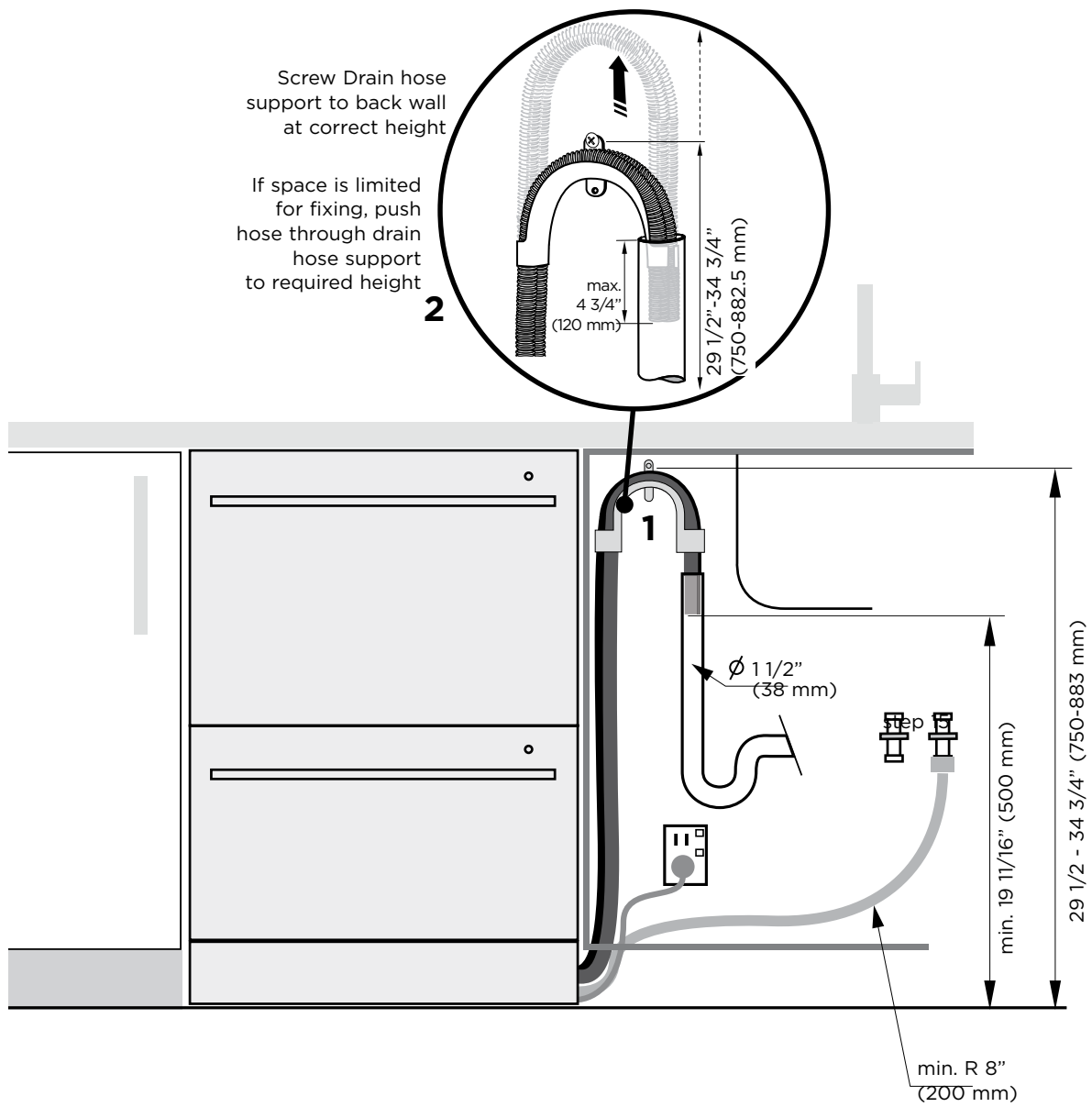
Snap off the two end tabs



Slide the toekick onto the mounting rails either side and screw the toekick onto the bottom of tub on either side.

IMPORTANT!
Do not overtighten screw.

DRAINAGE OPTION 1
Dishwasher and \varnothing 1 1/2" (38 mm) Standpipe



IMPORTANT!
Ensure that drain connection will comply with local plumbing regulations.

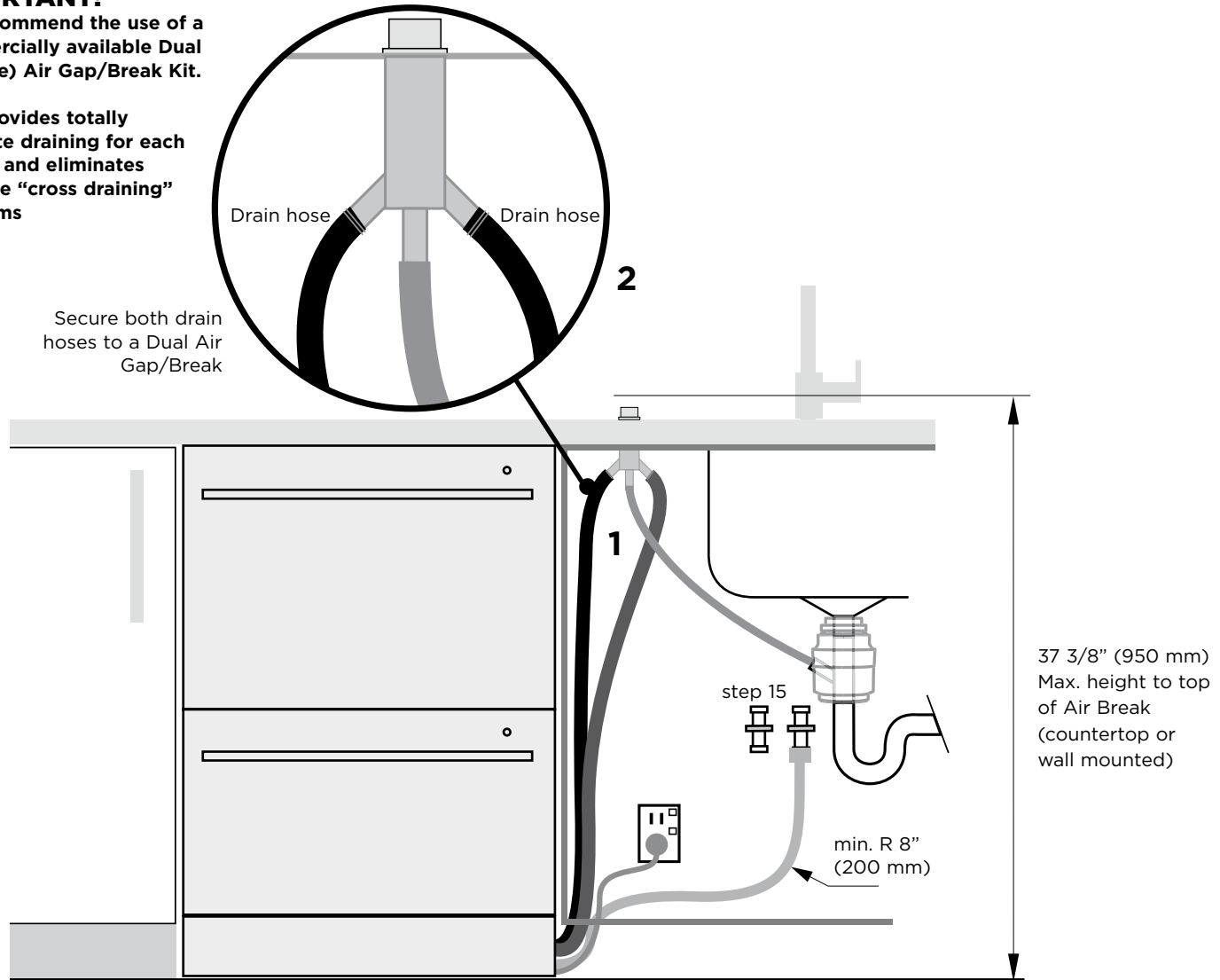
DRAINAGE OPTION 2 Dishwasher using Dual Air Gap/Break with Drain Hose Joiner

IMPORTANT!

We recommend the use of a commercially available Dual (Double) Air Gap/Break Kit.

This provides totally separate draining for each drawer and eliminates possible "cross draining" problems

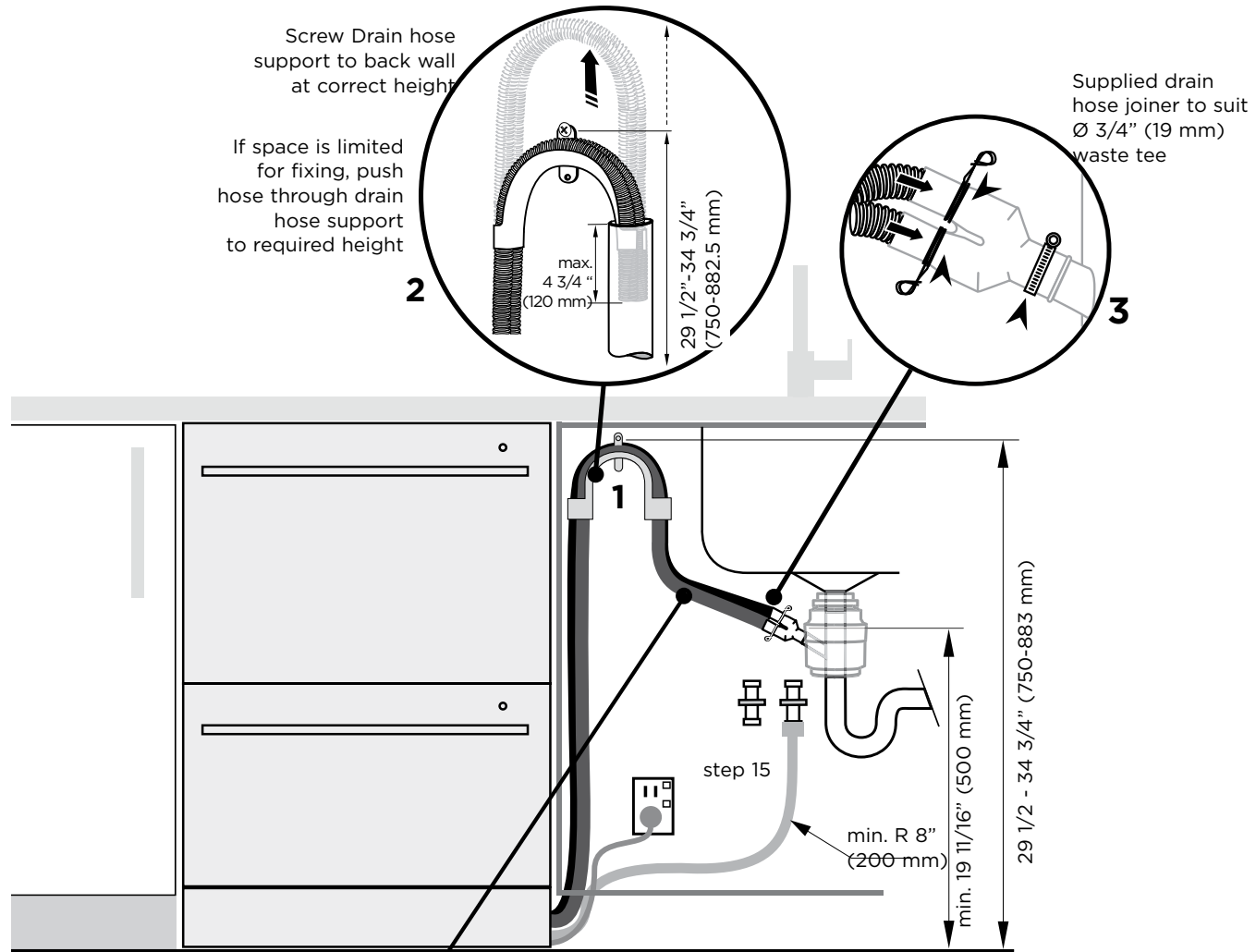
Secure both drain hoses to a Dual Air Gap/Break



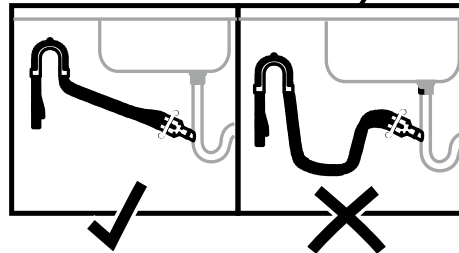
IMPORTANT!

Ensure that drain connection will comply with local plumbing regulations.

DRAINAGE OPTION 3 Dishwasher using drain hose joiner onto sink trap/waste tee

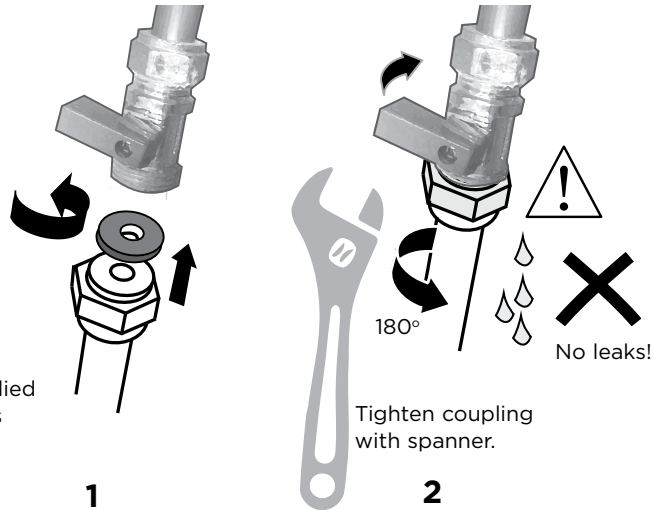


IMPORTANT!
Ensure that drain connection will comply with local plumbing regulations.



Ensure drain hose is routed straight to joiner. Remove excess drain hose material if necessary. Do not shorten the inlet hose.

15 CONNECT INLET HOSE TO HOT WATER

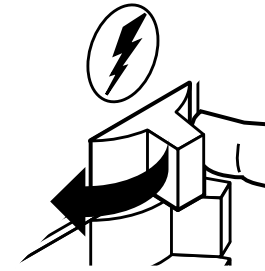


Ensure the supplied rubber washer is fitted inside the coupling.

Tighten coupling with spanner.

No leaks!

16 SWITCH PRODUCT ON



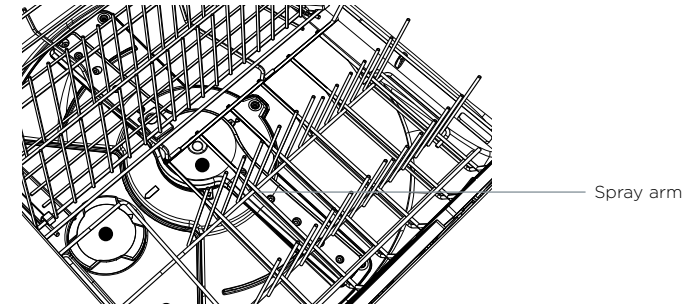
17 TROUBLESHOOTING

- **Excessive water remaining above the filter plate, after the rinse cycle. (This is displayed as an A3 fault. See user guide 'How to attend to a fault')**
Check for a kinked drain hose, blocked or incorrectly drilled out waste connection, highloop not properly installed, drain hose not routed correctly or spray arms not in place.
- **No water supply. (This is displayed as an A1 fault. See user guide 'How to attend to a fault')**
Check water is connected and turned on.
- **The dishwasher is beeping continuously**
There is a fault. See section 'How to attend to a fault' in the User guide for further information and instructions.
- **No program indicator lights up when the drawer is opened**
Ensure power is connected and is switched on. If it is and still no indicator lights up, see the 'Preference options' section of the 'Quick start guide'. An option called 'Open drawer auto power-on' may need to be turned on.
- **Water around water supply and drainage connections**
Check connections, existing plumbing and hoses for leaks. Check rubber washer and hose clamp are correctly fitted.
- **If product is tipping**
Ensure the product is secured to the cabinetry.
- **If front panels are misaligned**
Check and relevel product. Check the cabinetry is square. For Integrated models, check and adjust front panel alignment if necessary.
- **Drawer doesn't close properly**
Ensure nothing is obstructing the drawer from closing properly eg hoses or drawer latches.
- If a problem occurs, consult the 'Troubleshooting' section of the User guide.
- If after checking these points you still need assistance, please refer to the Service & Warranty book for warranty details and your nearest Authorized Service Center, or contact us through our website, listed below.

✓ **TO BE COMPLETED BY THE INSTALLER**

- Check all parts are installed.
- Ensure that all panels and parts thereof are secure and final electrical tests have been conducted in accordance with local electrical regulations.
- Ensure product is level, securely fastened to the cabinetry and opens and closes freely. The drawers must be free to fully close with no resistance from the cabinetry.
- Ensure inlet hose to water supply has supplied rubber washer fitted, and that it's tightened a further half turn after seal contact.
- Ensure any knockouts or plugs in drain connection have been drilled out and drain connection has been made.
- The drain hose joiner must not support the weight of excess hose material. Keep drain hose as fully extended as possible to prevent sagging. Any excess length of drain hose should be kept on the dishwasher side of the highloop.
- If connecting the drain hose to the sink trap, ensure the Highloop is a minimum 150 mm higher than the drain hose joiner.
- Ensure any packaging or tape securing the racks is removed from the drawers.
- Water softener models only: adjust the water softener setting from the default setting to suit the water hardness of the area. See the Quick start guide and section 'Water softener' in the User guide.

- Turn on the power and water supplies, then open the drawers. You should hear a beep and see a program indicator light up on the internal control panel.
- Check the spray arms are in place, mounted correctly and free to rotate, by physically rotating by hand.



- Add three cups of water into the drawer. Press >> until the indicator of the 'Rinse' program lights up. Close the drawer and press ▶|| to start the program. Repeat for the other drawer.
- After the Rinse program has finished, ensure the dishwasher has run and drained correctly.
- Check the water supply has correctly shut off and drainage connection for leakage.

Complete and keep for safe reference:

Model _____

Serial No. _____

Purchase Date _____

Purchaser _____

Dealer Address _____

Installer's Name _____

Installer's Signature _____

Installation Company _____

Installation Date _____

FISHERPAYKEL.COM

Copyright © Fisher & Paykel Appliances 2017. All rights reserved.
 The product specifications in this booklet apply to the specific products and models described at the date of issue. Under our policy of continuous product improvement, these specifications may change at any time. You should therefore check with your Dealer to ensure this booklet correctly describes the product currently available.