

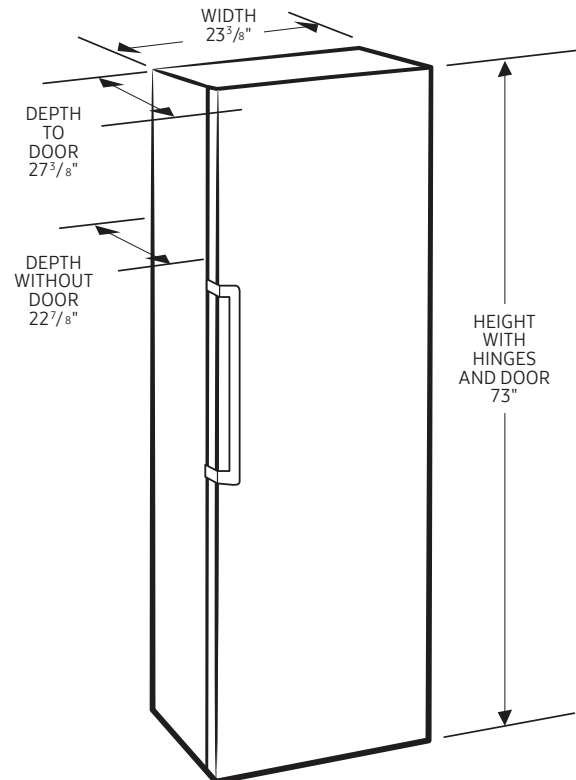
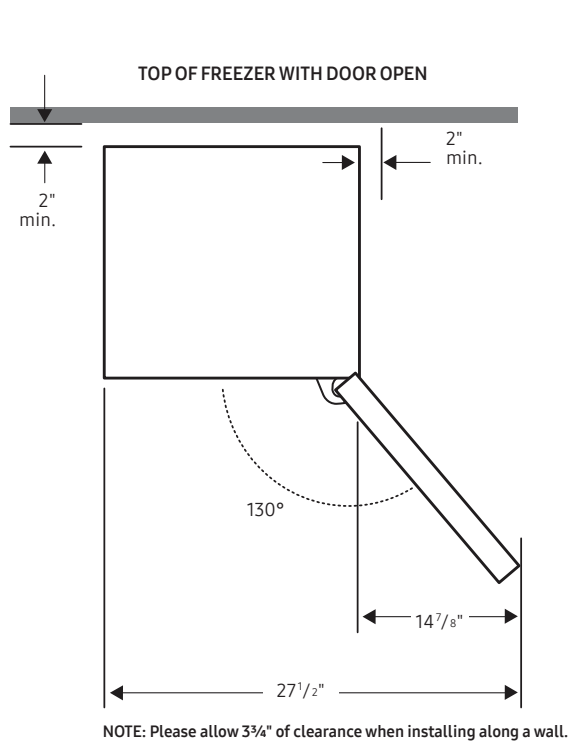
11.4 cu. ft. Upright Freezer

SAMSUNG

MODEL RZ11M7074SA

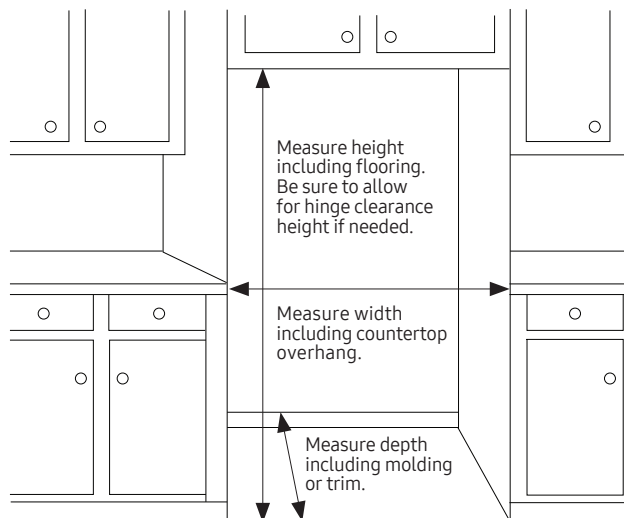
Be sure your new freezer will fit

Don't wait until delivery to be sure your new freezer will fit – throughout your kitchen, garage and all doorways. This guide includes all pertinent measurements and clearances so you can buy with confidence.



Freestanding Upright Freezer

Freestanding models allow flexibility in placement throughout kitchens, garages and other secondary storage spaces.



Installation clearances

- ✓ Allow 3 ³/₄" of clearance when installing along a wall. This will allow for the door to open 90 degrees without the handle contacting the wall.
- ✓ Allow 2" minimum clearance at rear for proper air circulation and water/electrical connections.
- ✓ Allow a 3/8" minimum clearance at sides and top for ease of installation.

For optimal usage and ability to open freezer door completely, do not install next to a wall.

Please note: The above dimension and cutout information is for planning purposes only. For complete installation details, consult manual packed with product, or download manual online at samsung.com.

Walk the delivery route

- ✓ Identify the narrowest opening that the appliance will travel, from outside the home to the location where it will be installed.
- ✓ Appliance depth or width must be smaller than the width of the narrowest opening.