

FISHER & PAYKEL

PRELIMINARY SPECIFICATION GUIDE

OVEN, 24"



OVERVIEW

Designed to fit seamlessly into any kitchen with Contemporary styling, these ovens feature a generous 3 cu ft total capacity. Achieve perfect results with Aerotech™ technology which circulates heat evenly throughout the cavity, ideal for multi-shelf cooking. Beautiful to use, the intuitive interface and dial offer simple guided cooking, while Pyrolytic self-cleaning breaks down grime and grease, to keep the oven pristine for the next use.

MODELS

Oven, 24", 16 Function OB24SD16PLX1

Oven, 24", 11 Function OB24SD11PLX1

3 cu ft, Self-cleaning, Stainless steel, Dial

SERIES & STYLE

Series 7

Contemporary

ACCESSORIES

- ① Baking tray
- ② Roasting dish*
- ③ Broil rack*
- ④ Step down wire rack

FEATURES

- ① Contemporary style, designed to fit flush with cabinetry
- ② Generous 3 cu ft total capacity with six shelf positions
- ③ Intuitive 2.4" screen with illuminated dial
- ④ Up to 16 ovens functions
- ⑤ Pyrolytic self-cleaning function breaks down food residue for an easy clean
- ⑥ Guided cooking, with the option to access additional functionality via the SmartHQ™ app*
- ⑦ Wired Temperature Sensor**
- ⑧ Optimised moisture levels thanks to AeroTech™ technology
- ⑨ Wi-Fi/Connected capability*

*Selected markets and models

**Compatible with selected models only

- ⑤ Full extension sliding shelves*
- ⑥ Self-cleaning side runners*
- ⑦ Telescopic Runners*
- ⑧ Flat wire shelf*

*Selected markets and models

FISHER & PAYKEL

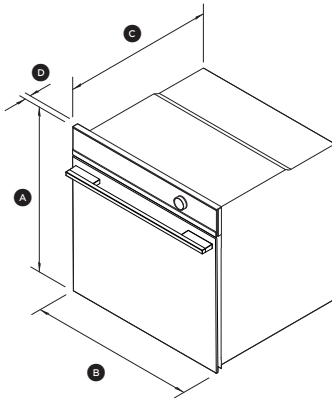
PRELIMINARY SPECIFICATION GUIDE

OVEN, 24"

SPECIFICATIONS

| | |
|-----------------------|---|
| Model No. | OB24SD16PLX1, OB24SD13PLX1, OB24SD9PLX1 |
| Dimensions | H 23 9/16" (598mm) x W 23 7/16" (596mm) x D 22 1/4" (565mm) |
| Total capacity | 3 cu ft (85L) |
| Weight | 70 lbs (32kg) unpackaged 97 lbs (44kg) packaged |
| Electrical | |
| Supply | 208-240V, 60Hz |
| Service | 16.6 - 19.4 A circuit |

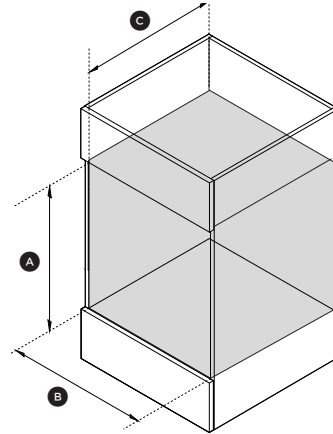
PRODUCT DIMENSIONS



ISO VIEW

| | | in | mm |
|-----|---|---------|-----|
| (A) | Overall height | 23 9/16 | 598 |
| (B) | Overall width | 23 7/16 | 596 |
| (C) | Depth of chassis | 21 7/16 | 545 |
| (D) | Depth from front of chassis to front of oven door (excl.dial & handle) | 13/16 | 20 |
| | Depth of oven door when fully open (measured from front of control panel) | 18 1/8 | 460 |

CAVITY DIMENSIONS



ISO VIEW

| | | in | mm |
|-----|---------------------------------|----------|-----|
| (A) | Minimum inside height of cavity | 22 7/8 | 580 |
| (B) | Minimum inside width of cavity | 22 1/16 | 560 |
| (C) | Minimum inside depth of cavity | 21 11/16 | 550 |