

# Gas Rangetop

Use and Care Manual

RGM8058UC, RGM8658UC



**BOSCH**

Invented for life



---

# Table of Contents

<b>▲ Safety Definitions</b> .....	<b>2</b>	Getting the Most Out of Your Appliance .....	12
<b>IMPORTANT SAFETY INSTRUCTIONS</b> .....	<b>3</b>	<b>Notes Regarding Cookware</b> .....	<b>14</b>
Fire Safety .....	4	Suitable Cookware .....	14
Gas Safety .....	4	Cookware Recommendations .....	14
Burn Prevention .....	5	Information for Use .....	14
Child Safety .....	5	<b>Cleaning and maintenance</b> .....	<b>15</b>
Cleaning Safety .....	5	Cleaning .....	15
Cookware Safety .....	6	Cleaning Guidelines .....	15
Proper Installation and Maintenance .....	6	Burnt-on Dirt .....	16
Proposition 65 Warning: .....	6	<b>Customer Service</b> .....	<b>17</b>
Conversion to Propane Gas .....	6	Before Calling for Service .....	17
High Altitude Installation .....	7	How to Obtain Warranty Service .....	17
<b>Getting Started</b> .....	<b>8</b>	<b>STATEMENT OF LIMITED PRODUCT WARRANTY ..</b>	<b>18</b>
Parts and Accessories .....	8	What this Warranty Covers & Who it Applies to .....	18
Burner Cap Placement .....	8	How Long the Warranty Lasts .....	18
Special Accessories (not included) .....	9	Repair/Replace as Your Exclusive Remedy .....	18
<b>Operation</b> .....	<b>10</b>	Out of Warranty Product .....	18
Before Using the Appliance for the First Time .....	10	Warranty Exclusions .....	18
About the Appliance .....	10	Obtaining Warranty Service: .....	19

---

## ▲ Safety Definitions

---

### ▲ WARNING

This indicates that death or serious injuries may occur as a result of non-observance of this warning.

---

---

### ▲ CAUTION

This indicates that minor or moderate injuries may occur as a result of non-observance of this warning.

---

**NOTICE:** This indicates that damage to the appliance or property may occur as a result of non-compliance with this advisory.

**Note:** This alerts you to important information and/or tips.



# IMPORTANT SAFETY INSTRUCTIONS

READ AND SAVE THESE INSTRUCTIONS

## **WARNING:**

If the information in these instructions is not followed exactly, a fire or explosion may result causing property damage, personal injury or death.

- Do not store or use gasoline or other flammable vapors and liquids in the vicinity of this or any other appliance.
- **WHAT TO DO IF YOU SMELL GAS**
  - Do not try to light any appliance.
  - Do not touch any electrical switch.
  - Do not use any phone in your building.
  - Immediately call your gas supplier from a neighbor's phone. Follow the gas supplier's instructions.
  - If you cannot reach your gas supplier, call the fire department.
- Installation and service must be performed by a qualified installer, service agency or the gas supplier.

## **WARNING:**

**Never Operate the Top Surface Cooking Section of this Appliance Unattended.**

- Failure to follow this warning statement could result in fire explosion, or burn hazard that could cause property damage, personal injury, or death.
- If a fire should occur, keep away from the appliance and immediately call your fire department.

**DO NOT ATTEMPT TO EXTINGUISH  
AN OIL/GREASE FIRE WITH WATER.**

# **IMPORTANT SAFETY INSTRUCTIONS**

## READ AND SAVE THESE INSTRUCTIONS

**IMPORTANT:** SAVE THESE INSTRUCTIONS FOR THE LOCAL ELECTRICAL INSPECTOR'S USE.

**INSTALLER:** LEAVE THESE INSTRUCTIONS WITH THE UNIT FOR THE OWNER.

**OWNER:** PLEASE RETAIN THESE INSTRUCTIONS FOR FUTURE REFERENCE.

---

### **WARNING**

---

When properly cared for, your new appliance has been designed to be safe and reliable. Read all instructions carefully before use. These precautions will reduce the risk of burns, electric shock, fire and injury to persons. When using kitchen appliances, basic safety precautions must be followed including those in the following pages.

---

### **Fire Safety**

Save these instructions.

Set the burner control so that the flame does not extend beyond the bottom of the pan.

Do not allow aluminum foil, plastic, paper or cloth to come in contact with a hot surface element, burner or grate. Do not allow pans to boil dry.

If the cooktop is near a window, forced air vent or fan, be certain that flammable materials such as window coverings do not blow over or near the burners or elements. They could catch on fire.

Always have a working smoke detector near the kitchen. Never leave the cooktop unattended when in use. Boilovers cause smoking and greasy spillovers may ignite.

---

### **WARNING**

---

TO REDUCE THE RISK OF A GREASE FIRE:

- a.** Never leave surface units unattended at high settings. Boilovers cause smoking and greasy spillovers that may ignite. Heat oils slowly on low or medium settings.
  - b.** Always turn hood ON when cooking at high heat or when flambéing food (i.e. Crepes Suzette, Cherries Jubilee, Peppercorn Beef Flambé).
  - c.** Clean ventilating fans frequently. Grease should not be allowed to accumulate on fan or filter.
  - d.** Use proper pan size. Always use cookware appropriate for the size of the surface element.
- 

In the event that personal clothing or hair catches fire, drop and roll immediately to extinguish flames.

Smother flames from food fires other than grease fires with baking soda. Never use water on cooking fires.

Take care that drafts like those from fans or forced air vents do not push the flames so that they extend beyond the edges of the pan.

Have an appropriate fire extinguisher available, nearby, highly visible and easily accessible near the appliance.

---

### **WARNING**

---

TO REDUCE THE RISK OF INJURY TO PERSONS IN THE EVENT OF A GREASE FIRE, OBSERVE THE FOLLOWING:

- a.** SMOTHER FLAMES with a close-fitting lid, cookie sheet, or metal tray, then turn off the burner. BE CAREFUL TO PREVENT BURNS. If the flames do not go out immediately, EVACUATE AND CALL THE FIRE DEPARTMENT.
  - b.** NEVER PICK UP A FLAMING PAN – You may be burned.
  - c.** DO NOT USE WATER, including wet dishcloths or towels – a violent steam explosion will result.
  - d.** Use an extinguisher ONLY if:
    - You know you have a Class ABC extinguisher, and you already know how to operate it.
    - The fire is small and contained in the area where it started.
    - The fire department is being called.
    - You can fight the fire with your back to an exit.
- 

Whenever possible, do not operate the ventilation system during a cooktop fire. However, do not reach through fire to turn it off.

### **Gas Safety**

To prevent carbon monoxide build-up, do not block appliance air vents.

Have the installer show you where the gas shut-off valve is located.

For proper burner performance, keep igniters clean and dry.

If a burner goes out and gas escapes, open windows and doors. Wait until gas dissipates before using the appliance.

**IMPORTANT SAFETY NOTICE:** Burning gas cooking fuel generates some by-products which are on the list of substances which are known by the State of California to cause cancer or reproductive harm. To minimize exposure to these substances, always operate this unit according to the instructions contained in this booklet and provide good ventilation.

---

### **WARNING**

---

All igniters spark when any single burner is turned on. Do not touch any of the burners when the cooktop is in use.

---

If you smell gas, your installer has not done a proper job of checking for leaks. If the connections are not perfectly tight, you can have a small leak and, therefore, a faint smell. Finding a gas leak is not a “do-it-yourself” procedure. Some leaks can only be found with the burner control in the ON position and this must be done

# **IMPORTANT SAFETY INSTRUCTIONS**

## READ AND SAVE THESE INSTRUCTIONS

by a qualified service technician. See Warning on page 3.

---

### **WARNING**

---

To prevent flare-ups all grates must be properly positioned on the cooktop whenever the cooktop is in use. Each of the feet must be placed into the corresponding dimples in the cooktop. Do not use a grate if the rubber feet are missing or damaged.

---

Keep the igniter ports clean for proper lighting performance of the burners. It is necessary to clean these when there is a boilover or when the burner does not light even though the electronic igniters click.

---

### **WARNING**

---

To prevent flare-ups do not use the cooktop without all burner caps and all burner grates properly positioned.

---

### **WARNING**

---

Do not clean or touch any of the burners when an extra low burner (if equipped) is in use. When the extra low burner automatically reignites the ignitor at the burner will spark.

---

### **WARNING**

---

Use this appliance only for its intended use as described in this manual. NEVER use this appliance as a space heater to heat or warm the room. Doing so may result in carbon monoxide poisoning and overheating the appliance. Never use the appliance for storage.

## **Burn Prevention**

**DO NOT TOUCH SURFACE UNITS OR AREAS NEAR UNITS** - Surface units may be hot even though they are dark in color. Areas near surface units may become hot enough to cause burns. During and after use, do not touch, or let clothing, potholders, or other flammable materials contact surface units or areas near units until they have had sufficient time to cool. Among these areas are the cooktop and areas facing the cooktop.

Do not heat or warm unopened food containers. Build-up of pressure may cause the container to burst and cause injury.

Use high heat settings on the cooktop only when necessary. To avoid bubbling and splattering, heat oil slowly, on no more than a low-medium setting. Hot oil is capable of causing extreme burns and injury.

Never move a pan of hot oil, especially a deep fat fryer. Wait until it is cool.

Secure all loose garments, etc., before beginning. Tie long hair so that it does not hang loose, and do not wear

loose-fitting clothing or hanging garments, such as ties, scarves, jewelry, or dangling sleeves.

Do not place any objects on the projecting control panel in front of the burners. The area becomes very hot during cooking.

## **Child Safety**

When children become old enough to use the appliance, it is the responsibility of the parents or legal guardians to ensure that they are instructed in safe practices by qualified persons.

Do not allow anyone to climb, stand, lean, sit, or hang on any part of an appliance, especially a door, warming drawer, or storage drawer. This can damage the appliance, and the unit may tip over, potentially causing severe injury.

Do not allow children to use this appliance unless closely supervised by an adult. Children and pets should not be left alone or unattended in the area where the appliance is in use. They should never be allowed to play in its vicinity, whether or not the appliance is in use.

---

## **CAUTION**

---

Items of interest to children should not be stored in an appliance, in cabinets above an appliance or on the backsplash. Children climbing on an appliance to reach items could be seriously injured.

## **Cleaning Safety**

**IMPORTANT SAFETY NOTICE:** The California Safe Drinking Water and Toxic Enforcement Act requires the Governor of California to publish a list of substances known to the state to cause cancer, birth defects or other reproductive harm, and requires businesses to warn customers of potential exposure to such substances. The burning of gas cooking fuel and the elimination of soil during self-cleaning can generate some by-products which are on the list. To minimize exposure to these substances, always operate this unit according to the instructions contained in this booklet and provide good ventilation.

---

### **WARNING**

---

Burning gas cooking fuel may create small amounts of carbon monoxide, benzene and formaldehyde. To minimize exposure to these substances, the burners should be adjusted by a certified installer or agency to ensure proper combustion. Ensure proper ventilation with an open window or use a ventilation fan or hood when cooking with gas. Always operate the appliance according to the instructions in this manual.

---

After a spill or boilover, turn off the burner and allow the cooktop to cool. Clean around the burner and burner ports. After cleaning, check for proper operation.

Do not clean the appliance while it is still hot. Some cleaners produce noxious fumes when applied to a hot

# **IMPORTANT SAFETY INSTRUCTIONS**

## READ AND SAVE THESE INSTRUCTIONS

surface. Wet clothes and sponges can cause burns from steam.

### **Cookware Safety**

Hold the handle of the pan when stirring or turning food. This helps prevent spills and movement of the pan.

Use Proper Pan Size.

The use of undersized cookware will expose a portion of the heating element or burner to direct contact and may result in ignition of clothing. Select cookware having flat bottoms large enough to cover the surface heating unit.

This appliance is equipped with one or more surface units of different sizes. Proper relationship of cookware to heating element or burner will also improve efficiency.

Always position handles of utensils inward so they do not extend over adjacent work areas, burners, or the edge of the cooktop. This reduces the risk of fires, spills and burns.

Adjust burner flame size so that it does not extend beyond the edge of the cookware. Proper relationship of cookware to burner flame reduces safety risks.

### **Proper Installation and Maintenance**

Have the installer show you the location of the circuit breaker or fuse. Mark it for easy reference.

This appliance must be properly installed and grounded by a qualified technician. Connect only to properly grounded outlet. Refer to Installation Instructions for details.

This appliance is intended for normal family household use only. It is not approved for outdoor use. See the Statement of Limited Product Warranty. If you have any questions, contact the manufacturer.

Do not store or use corrosive chemicals, vapors, flammables or nonfood products in or near this appliance. It is specifically designed for use when heating or cooking food. The use of corrosive chemicals in heating or cleaning will damage the appliance and could result in injury.

---

#### **WARNING**

---

Failure to operate knobs properly may result in personal injury and damage to the appliance.

---

This appliance is not intended for operation with an external time switch or external remote control.

Do not operate this appliance if it is not working properly, or if it has been damaged. Contact an authorized service provider.

Do not repair or replace any part of the appliance unless specifically recommended in this manual. Refer all servicing to a factory authorized service provider.

To avoid electrical shock hazard, before servicing the appliance, switch power off at the service panel and lock the panel to prevent the power from being switched on accidentally.

### **Proposition 65 Warning:**

This product may contain a chemical known to the State of California, which can cause cancer or reproductive harm. Therefore, the packaging of your product may bear the following label as required by California:

**STATE OF CALIFORNIA PROPOSITION 65 WARNING:**

 **WARNING**

Cancer and Reproductive Harm - [www.P65Warnings.ca.gov](http://www.P65Warnings.ca.gov)

### **Conversion to Propane Gas**

---

#### **WARNING**

---

Personal injury or death from electrical shock may occur if the appliance is not installed by a qualified installer or electrician.

Any additions, changes or conversions required in order for this appliance to satisfactorily meet the application needs must be made by a qualified technician.

---

#### **WARNING**

**This conversion kit shall be installed by a qualified service agency in accordance with the manufacturer's instructions and all applicable codes and requirements of the authority having jurisdiction. If the information in these instructions is not followed exactly, a fire, explosion or production of carbon monoxide may result causing property damage, personal injury or loss of life. The qualified service agency is responsible for the proper installation of this kit. The installation is not proper and complete until the operation of the converted appliance is checked as specified in the manufacturer's instructions supplied with the kit.**

# **IMPORTANT SAFETY INSTRUCTIONS**

READ AND SAVE THESE INSTRUCTIONS

## **High Altitude Installation**

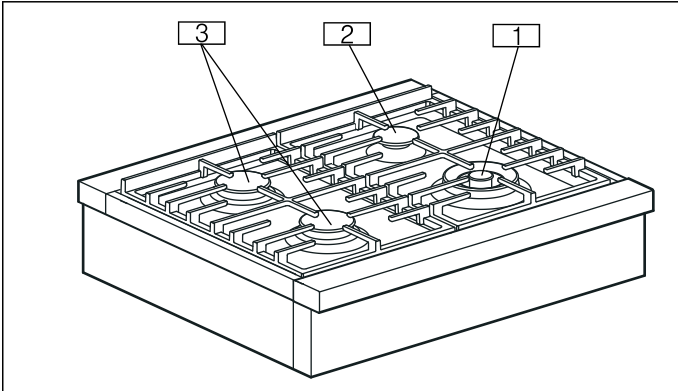
This appliance has been tested for operation up to an altitude of 10,000 ft (3,048 m) elevation above sea level.

If desired, for altitudes above 2,000 ft (610 m) elevation above sea level, adjustments may be made. Burners should be checked at the lowest setting, if the flame is not stable the simmer should be increased until the flame is stable. This can be done by adjusting the bypass screw in the valve. If flame performance is satisfactory, adjustment will not be required. It is required that a Certified Professional make the high altitude adjustments during installation. High altitude nozzle sets for natural gas and propane gas are available for installations at 2,000-6,500 ft (610-1,981 m) or 6,501-10,000 ft (1,982-3,048 m) if the adjustments using the bypass screw don't resolve performance issues.

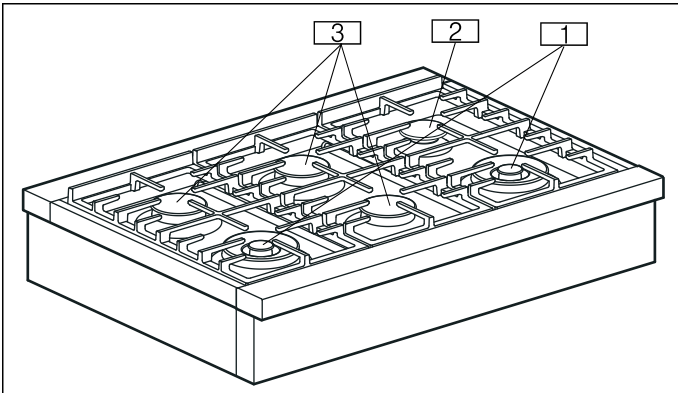
# Getting Started

## Parts and Accessories

30"



36"



No.	Designation
1	Dual-flame burner (18,000 BTU/ 5.3 kW)
2	Small burner (5,000 BTU/ 1.5 kW) OptiSim® feature
3	Large burner (12,000 BTU/ 3.5 kW)

## Burner Cap Placement

### Sealed burners

Your new cooktop has sealed gas burners. There are no burner parts under the cooktop to clean, disassemble or adjust. Your cooktop has three different burner sizes: small, large and dual-flame.

### ⚠ WARNING

To prevent flare-ups, do not use the cooktop without all burner caps and all burner grates properly positioned.

### ⚠ WARNING

To prevent burns, do not touch burner caps or grates while hot. Turn the cooktop off and allow the burners to cool.

The burner parts must be correctly positioned for the cooktop to function properly. If the burner parts are not correctly positioned, one or more of the following problems may occur:

- Burner flames are too high.
- Flames shoot out of burners.
- Burners do not ignite.
- Burner flames light unevenly.
- Burner emits gas odor.

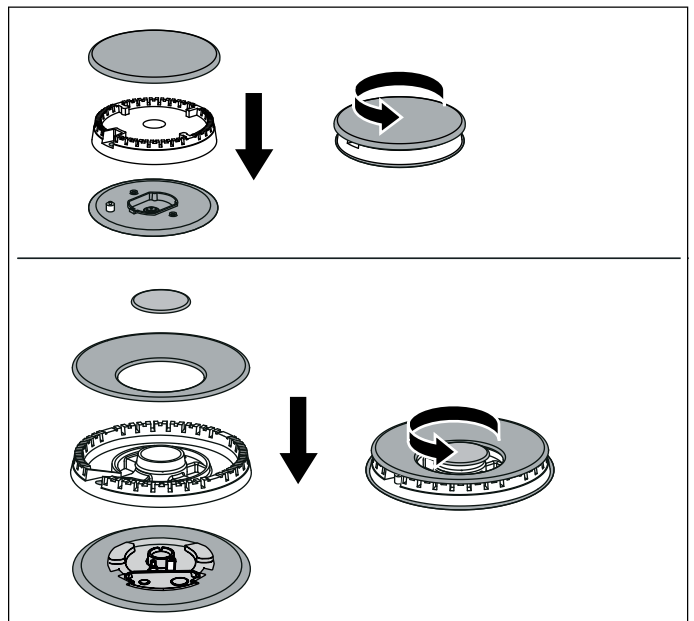
### Burner Cap and Burner Base Placement

After electrical connection is complete, place each burner base on the corresponding location on the cooktop. One of the three bars on the burner base should line up with the notch and prevent the base from rotating. The small hole or cutout near the edge should also line up with the igniter. Pay special attention to avoid damaging the igniter during installation of the base. See illustration below.

Once each base is located and resting evenly, place each burner cap on its correct burner base. See illustration.

Place burner cap gently on top of base so that the prongs of the burner base fit snugly into the groove of the burner cap.

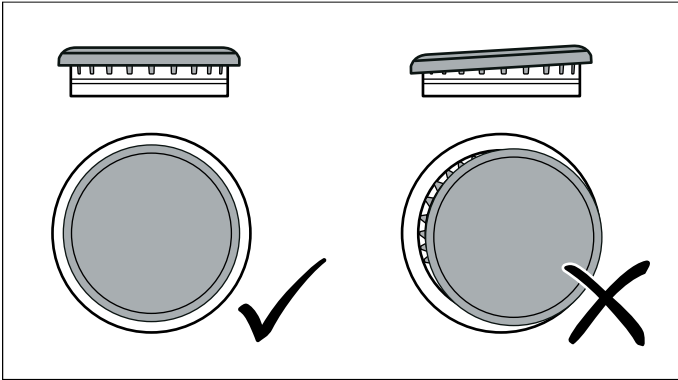
If the maintop is removed by a certified installer (for example to check electrical or piping connection) the panhead screws that were removed must be re-installed to ensure proper functionality of burners.





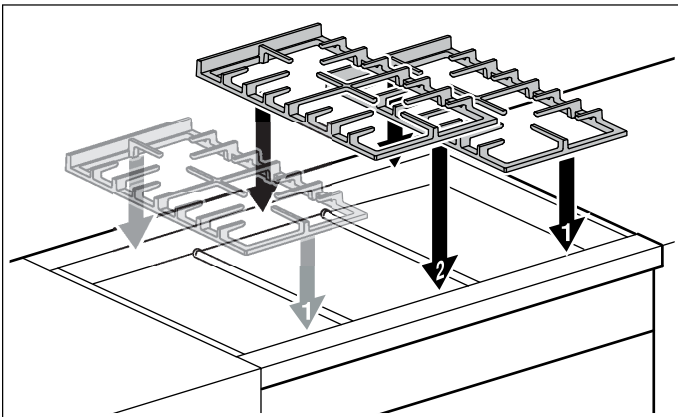
### Checking Burner Cap Placement

Check to make sure that there is no gap between the burner cap and burner base. See illustration below for correct and incorrect placements of the burner cap. You may gently try to move the burner cap from side to side to check if it is properly placed. If properly placed, the cap will click from side to side as the prongs hit the groove ridge.



### Install Grates

First position the outer grates, followed by the the central grate. If you only have two grates, the order in which you position them is not relevant.



### Special Accessories (not included)

---

#### Wok ring

Use:

Only suitable for dual-flame burners.  
Use cookware with a rounded bottom.  
Order number: HEZ9GW23UC

---

#### Griddle

Use:

The griddle plate allows meals that are usually cooked in a pan to be prepared with reduced fat.  
Order number: HEZ9GR41UC

---

#### Backsplash

Use:

Back panel protection.  
Order number 30": HEZ7YZ30UC  
Order number 36": HEZ7YZ36UC

---

# Operation

## Before Using the Appliance for the First Time

- Remove all packing materials and literature from the cooktop surface.
- Wipe with a clean, damp sponge and dry.
- There may be a slight odor during the first several uses. This is normal and will disappear.
- Optimum cooking results depend on the proper cookware being selected and used. See “Choosing Cookware - Cookware Recommendations”.
- Read all safety precautions and Use and Care Manual information prior to operating.

## About the Appliance

Use the cooktop for surface cooking applications such as boiling, frying, simmering, steaming and sautéing.

### ⚠ WARNING

The burning of gas cooking fuel can create small amounts of carbon monoxide, benzene, formaldehyde and soot. To minimize exposure to these substances, the burners should be adjusted by a certified installer or authorized servicer to ensure proper combustion. Ensure proper ventilation with an open window or use a ventilation fan or hood when cooking with gas. Always operate the unit according to the instructions in this manual.

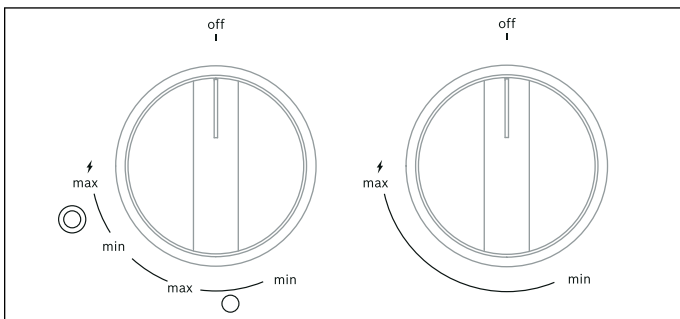
## Control Knobs

The cooktop has one control knob for each burner. Push in and turn to the left to light and set the desired heat setting.

### ⚠ WARNING

Failure to operate knobs properly may result in personal injury and damage to the appliance.

The cooktop has standard burner controls.



Symbol	Meaning
off	Cooking zone switched off
min	Minimum power
max	Maximum power
o	Inner flame switched on
⊙	Inner and outer flame switched on

## To operate

Select the appropriate control knob, push in and turn counterclockwise to the desired flame setting. With this motion, burner sparking and gas flow will be initiated. Once the flame appears keep the knob pressed in fully for 2-3 seconds before releasing.

**Note:** It is normal that sparks will appear at all burners. Turn off by turning the control knob clockwise to off.

## In Case of Power Failure

In the event of a power failure, the burners may be lit by an alternate flame source. Hold a lit flame source next to the burner gas exit ports, turn corresponding knob to max position, and remove flame source immediately upon burner lighting.

## Flame Failure Safety System

Your rangetop is equipped with a safety system that cuts off the gas flow in case of flame extinguishes by accident, i.e. because of a strong draft or high amount of spillage – so preventing an escape of unburned gas. This systems requires certain burner start procedure, see above, which means that the knob has to be pressed in completely for some seconds until the thermocouple at burner is heated up by flame and keeps the gas flow.

## Normal Operation - Electronic Ignition

The cooktop uses electronic igniters to light the burners. There is no pilot light. Each burner has its own igniter. All igniters are activated when a control knob is pushed.

### ⚠ CAUTION

To avoid possible injury or damage to the appliance, ensure grates are installed exactly per installation instructions and not backwards or upside down.

The igniter should be clean and dry for proper operation.

- Avoid getting water or food on the igniter.
- If the igniter is wet or soiled, it may spark without igniting the burner, or even spark continuously when a flame is present.

**Note:** If the burner does not light within 4 seconds, turn the burner off. Check to see that the burner cap is positioned correctly on the burner base and the igniter is clean and dry. Wait at least 5 minutes before igniting the burner again. If a burner still fails to ignite, see “Before Calling for Service”.

## Turning off a burner

Turn the corresponding control knob clockwise to the "off" position.

### If the flame goes out

Switch off the control knob. Wait 5 minutes and switch the burner on again.

### ▲ WARNING

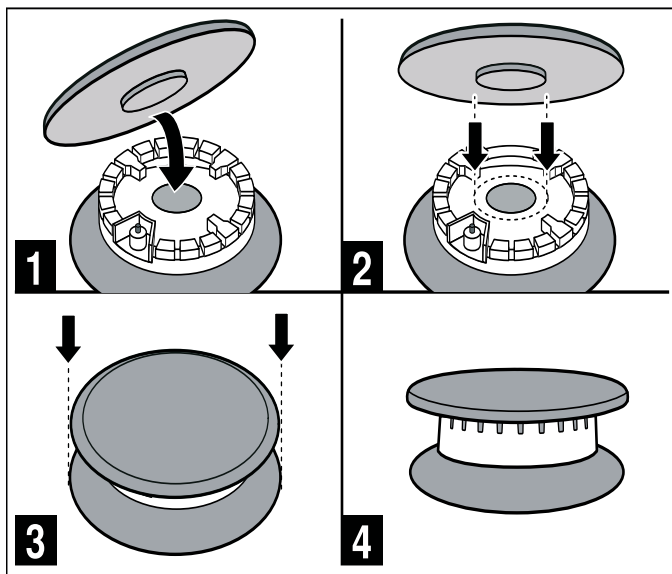
#### RISK OF DEFLAGRATION

If the burner does not ignite after 15 seconds, switch off the control knob and open the door or window in the room. Wait at least 5 minutes before igniting the burner again.

### OptiSim® Feature

OptiSim® has been designed to work with the small burner in the right rear position of the rangetop and is used to provide optimal simmering for delicate sauces while minimizing the risk of scorching.

### OptiSim® Burner Cap Installation



When properly installed the cap will extend beyond the burner base and raised surface.

### Griddle

To cook most foods on the griddle, the surface must be pre-heated. The burner power may require adjustment if the griddle is used for a long time.

### Before First Use

Before using your new griddle, wash it in hot, soapy water, rinse and dry.

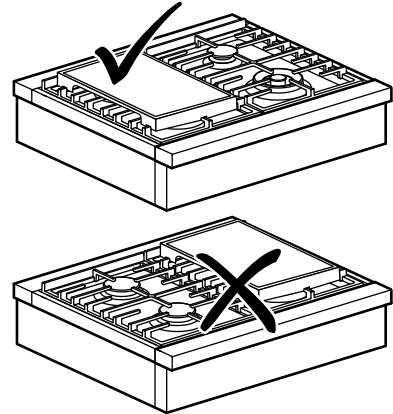
### Installing the griddle

The griddle is customized to fit only on the grates illustrated below.

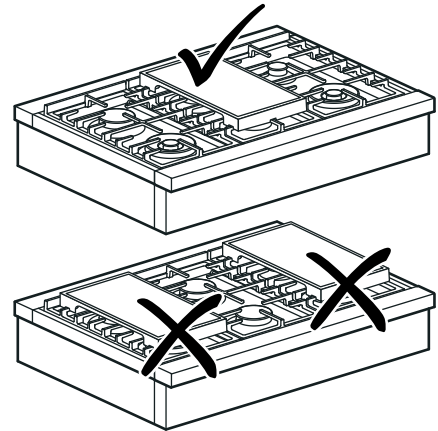
### ▲ WARNING

Place and remove the griddle only when all grates and the griddle have cooled down and all burners are off.

RGM8058UC



RGM8658UC



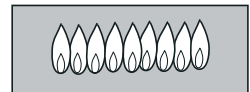
### Typical flame characteristics

The burner flame should be blue in color and stable with no yellow tips, excessive noise or fluttering. It should burn completely around the burner cap.

### Checking the flame characteristics:

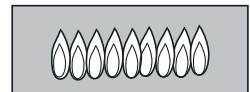
#### Yellow flames:

Further adjustment is required.



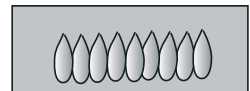
#### Yellow tips on outer cones:

Normal for propane gas.



#### Soft blue flames:

Normal for natural gas.



#### Orange flames:

Can be normal if certain types of humidifiers are used in the home. Flames should return to blue without the humidifier running.

- If the flame is completely or mostly yellow, verify that the regulator is set for the correct fuel. Retest after adjustment.

- Some yellow streaking is normal during the initial start-up. Allow the appliance to operate for 4–5 minutes and reevaluate before making adjustments.
- Foreign particles in the gas line may cause an orange flame during initial use. This should disappear with use. Check the burner to make sure that port holes are not obstructed. If the ports are clogged → *Page 17*

**Note:** An audible "pop" may be heard when the burner is turned off manually. The "popping" may be louder with propane gas than with natural gas. This is normal.

## Getting the Most Out of Your Appliance

### Cooking suggestions for best results

- Boil water in covered pot on High using largest burner for best results. If water boils over, turn to a lower setting.
- When melting chocolate or butter, use smallest burner with OptiSim® feature for best results.
- When simmering, bring food to a boil first. Stir well to be sure all the food is boiling, then cover and reduce the flame to the desired setting to simmer.
- There should be steam and slight quivering of the liquid's surface while simmering.
- Use a lid to keep a more constant cooking temperature and heat food faster.
- Check the food occasionally to see if the control knob should be turned to a lower or higher setting.
- It is normal to stir food occasionally.

- Center the pan over the burner before turning the burner on.
- Use proper cookware.
- Refer to the settings recommendations in the following chart for suggested settings.

### Settings recommendations

Uses	Heat setting
Boiling (i.e. water, stock, etc.)	High
Pan frying, sautéing, browning meat, deep frying	Medium High
Shallow frying, eggs, pancakes, bacon	Medium
Steaming, braising	Medium Low
Melting chocolate, melting butter, simmering sauces, soups and stews (i.e. tomato sauce, alfredo sauce, beef stew, etc.)	Low

**Note:** : When melting chocolate or butter, use smallest burner with Opti-Sim® feature for best results.

### Standard Burner Cooking

The table lists the optimal heating setting for various dishes. The temperature and cooking time depend on the amount, composition and temperature of the food. Setting ranges are indicated for this reason. Try using the lower values at first. During cooking heat may be increased.

### Standard Burner Cooking Table

Food	Burner	Heat Level Start Cooking (boil, melt, brown. fry, etc.)	Heat Level Continue Cooking (simmer, braise, poach, hold, etc.)
<b>Beverages</b>			
Mulled Cider	Dual Flame Large	High	Medium Low
Hot Chocolate	Dual Flame Large	Medium High	Low
Tea	Small	High	Low
<b>Breads</b>			
French toast	Dual Flame Large	Medium	Medium-Medium Low
Pancakes	Dual Flame Large	Medium	Medium-Medium Low
Grilled Sandwiches	Dual Flame Large	Medium	Medium-Medium Low
<b>Cereals</b>			
Beans	Dual Flame Large	High	Medium-Medium Low
Cornmeal/Polenta	Large	High	Medium-Medium Low
Grits	Large	High	Medium-Medium Low
Oatmeal	Large	High	Medium-Medium Low

### Deep Frying

<b>Food</b>	<b>Burner</b>	<b>Heat Level Start Cooking (boil, melt, brown, fry, etc.)</b>	<b>Heat Level Continue Cooking (simmer, braise, poach, hold, etc.)</b>
French Fries	Dual Flame	Medium High	Medium High
Donuts	Dual Flame	Medium High	Medium High
<b>Desserts</b>			
Pie Filling, Fruit Compote	Small	Medium Low	Medium-Medium Low
Pudding	Small	Medium Low	Medium-Medium Low
Poached Fruit	Dual Flame Large	High-Medium High	Medium-Medium Low
<b>Eggs</b>			
Fried	Dual Flame Large	Medium High	Medium Low
Scrambled	Dual Flame Large	Medium High	Medium Low-Low
<b>Meat, Fish, Poultry</b>			
Bacon, Sausage Patties	Dual Flame	Medium High	Medium-Medium Low
Braising: Swiss Steak, Pot Roast, Stew Meat	Dual Flame	Medium High	Low
Shallow Frying: Chicken, Fish	Dual Flame	Medium	Medium-Medium Low
Pan Frying: Lamb Chops, Thin Steaks, Hamburgers, Link Sausage	Dual Flame	Medium High	Medium
Simmering: Stewed Chicken, Corned Beef, Poaching Fish	Dual Flame	High	Medium Low
<b>Pasta</b>			
All types	Dual Flame Large	High	High
<b>Rice</b>			
White Rice	Large	High	Low
Brown Rice	Large	High	Low
<b>Sauces</b>			
Tomato Sauce: Marinara, Bolognese	Dual Flame	High	Low
Cream Sauce: Alfredo, Queso	Dual Flame	Medium	Low
Butter Sauce: Bearnaise, Hollandaise	Large Small	Medium	Low
<b>Soups and Stocks</b>			
Cream Soup	Dual Flame Large	Medium	Low
Broth Soup	Dual Flame Large	High	Low
Stock: Beef, Chicken, Vegetable	Dual Flame Large	High	Low
<b>Vegetables</b>			
Fresh	Large Small	High	Medium
Frozen	Large Small	High	Medium

# Notes Regarding Cookware

The following information and tips have been provided to help you save energy and avoid damaging your cookware.

## Suitable Cookware

Burner	Recommended pan base diameter
Small burner	5" - 8" (127 - 203 mm)
Large burner	7" - 9½" (178 - 240 mm)
Dual-flame burner	7" - 11" (178 - 280 mm)

**Pans with a diameter of less than 4.7" (120 mm) or more than 11.0" (280 mm) should not be used.** If you do use larger pans, these should not protrude beyond the edges of the appliance.

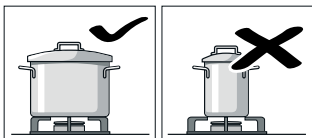
## Cookware Recommendations

**Note:** When using certain pots or pans, a slight and temporary deformation of the steel cooking surface may occur. This is normal and does not affect the functionality of the appliance.

### Proper Cookware

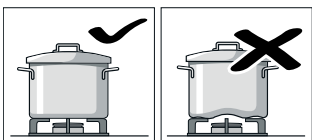
- Aluminum or copper bottomed pans conduct heat evenly.
- Steel pan, if not combined with other metals, may cook unevenly.
- Cast-iron cookware absorbs heat slowly and cooks more evenly at low-to-medium settings.
- Flat heavy bottoms pans provide even heat and stability.
- DO NOT USE pans that are thin, warped, dented or ridged as they heat unevenly.

## Information for Use



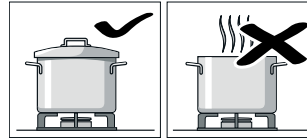
Use cooking vessels of appropriate size for the particular burner.

Don't use small cooking vessels on large burners. The flame shouldn't come in contact with the sides of the cooking vessel.

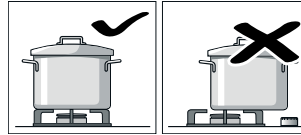


Don't use any deformed cooking vessels that don't stand solidly on the cooktop. The vessels could tip over.

Only use cooking vessels with flat and thick bottoms.

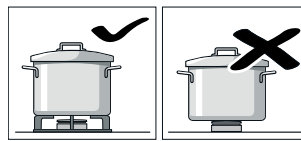


Don't cook without a lid or if the lid is not on all the way. The majority of the heat is lost.



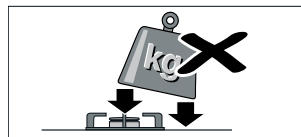
Place the cooking vessel in the center of the burner, otherwise it may tip over.

Don't place large pots on the burners near the stove controls. They could overheat and become damaged.



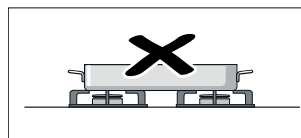
Place the pots on the pan supports, never directly onto the burners.

Prior to use, ensure that the pan supports and lids of the gas burners are positioned correctly.



Handle vessels carefully on the cooktop.

Don't bang the cooktop and don't place any heavy weights on it.



Never heat a cooking vessel (e.g. roasting tin, pan, cooking stone) with multiple burners, except of the griddle plate. The resulting accumulation of heat causes damage to the appliance.

# Cleaning and maintenance

## Cleaning

The entire cooktop can be safely cleaned by wiping with a soapy sponge, then rinsing and drying. If stubborn soil remains, follow the recommended cleaning methods below.

### Cleaning recommendations:

- Always keep the appliance area clear and free from combustible materials, gasoline, and other flammable vapors and liquids.
- Always use the mildest cleaner that will do the job. Use clean, soft cloths, sponges or paper towels.
- Rub stainless steel finishes in the direction of the grain. Wipe area dry to avoid water marks.
- Before cleaning, be certain the burners are turned off and the grates and burners are cool.
- Do not clean removable cooktop parts in any self cleaning oven or dishwasher.
- Do not obstruct air flow around cooktop burners, range backguard and door area.
- After cleaning, place all parts in their proper positions before using cooktop.

- For proper burner performance, keep igniters clean and dry.
- Keep the igniter ports clean for proper lighting performance of the burners. It is necessary to clean these when there is a boilover or when the burner does not light even though the electronic igniters click.
- Do not use flammable cleansers such as lighter fluid.
- Do not use chlorine based cleaners.
- Always test cleaners on a small inconspicuous area first.

### ▲ CAUTION

All igniters spark when any single burner is turned on. Do not touch any of the burners when the cooktop is in use.

## Cleaning Guidelines

The cleaners recommended below and on the following page indicate a type and do not constitute an endorsement of a particular brand. Use all products according to package directions.

Cooktop part / material	Suggested cleaners	Important reminders
Burner base / aluminum alloy	<ul style="list-style-type: none"> <li>• Detergent and hot water; rinse and dry thoroughly.</li> <li>• Stiff nylon bristle tooth brush to clean port openings.</li> <li>• Abrasive cleansers: Brillo® or S.O.S.® pads. Rinse and dry.</li> </ul>	<ul style="list-style-type: none"> <li>• Do not scratch or gouge the port openings.</li> <li>• Clean ports with a wire or straightened paper clip.</li> <li>• Do not use a toothpick that may break off.</li> <li>• Do not soak burner bases.</li> </ul>
Burner cap / porcelain enamel	<ul style="list-style-type: none"> <li>• Detergent and hot water; rinse and dry thoroughly.</li> <li>• Nonabrasive Cleansers: Omit ammonia, Fantastic®, Formula 409®.</li> <li>• Mild Abrasive Cleansers: Bon Ami®, Ajax®, Comet®.</li> <li>• Liquid cleaners: Bar Keeper's Friend®, Soft Scrub®.</li> <li>• Bar Keeper's Friend Soft Cleanser Liquid®.</li> <li>• Reassemble. Make sure that the cap is seated on the base.</li> </ul>	<ul style="list-style-type: none"> <li>• Acidic and sugar-laden spills deteriorate the porcelain enamel.</li> <li>• Remove soil immediately after unit has cooled enough to touch.</li> <li>• Do not use wet sponge or towel on hot porcelain.</li> <li>• Do not soak burner caps.</li> <li>• Always apply minimal pressure with abrasive cleaners.</li> <li>• Dry thoroughly after cleaning.</li> </ul>
Control knobs and bezels	<ul style="list-style-type: none"> <li>• Detergent and hot water; rinse and dry thoroughly.</li> <li>• To remove knobs, pull outward.</li> </ul>	<ul style="list-style-type: none"> <li>• Do not soak knobs.</li> <li>• Do not use abrasive scrubbers or cleansers, such as Bon Ami®, Ajax®, or Comet®. They may permanently damage the finish or remove graphics.</li> </ul>



Cooktop part / material	Suggested cleaners	Important reminders
Exterior finish / stainless steel	<ul style="list-style-type: none"> <li>• Nonabrasive Cleaners: Hot water and detergent, Fantastic®, Formula 409®. Rinse and dry immediately.</li> <li>• Bosch Stainless Steel Conditioner (Order number: 00576696)</li> <li>• Cleaner Polish: Stainless Steel Magic® to protect the finish from staining and pitting; enhances appearance.</li> <li>• Hard water spots: Household white vinegar.</li> <li>• Mild Abrasive Cleaners: Bon Ami®.</li> <li>• Heat discoloration: Bar Keepers Friend®</li> </ul>	<ul style="list-style-type: none"> <li>• Do not use steel wool pads. They will scratch the surface.</li> <li>• Stainless steel resists most food stains and pit marks providing the surface is kept clean and protected.</li> <li>• Never allow food stains or salt to remain on stainless steel for any length of time.</li> <li>• Rub lightly in the direction of the grain.</li> <li>• Chlorine or chlorine compounds in some cleaners are corrosive to stainless steel. Check ingredients on label before using.</li> </ul>
Grates and grate bridge / porcelain enamel on cast iron	<ul style="list-style-type: none"> <li>• Nonabrasive cleaners: Hot water and detergent, Fantastic®, Formula 409®. Rinse and dry immediately.</li> <li>• Mild abrasive cleaners: Bon Ami® and Soft Scrub®.</li> <li>• Abrasive cleaners for stubborn stains: soap-filled steel wool pad.</li> <li>• You may also clean the burner grates in the dishwasher. Remove any burnt-on food prior to placing the burner grates in the dishwasher. Place them on the lowest rack of dishwasher and use the dishwasher manufacturer's recommended detergent.</li> </ul>	<ul style="list-style-type: none"> <li>• The grates are heavy; use care when lifting. Place on a protected surface for cleaning.</li> <li>• Blisters/ crazing/ chips are common due to the extreme temperatures on grate fingers and rapid temperature changes.</li> <li>• Acidic and sugar-laden spills deteriorate the enamel. Remove soil immediately after unit has cooled enough to touch.</li> <li>• Abrasive cleaners, used too vigorously or too often can eventually mar the enamel.</li> <li>• Do not clean in a self-cleaning oven.</li> </ul>
Igniters / ceramic	<ul style="list-style-type: none"> <li>• Carefully wipe with a cotton swab dampened with water or Formula 409®.</li> <li>• Gently scrape soil off with a toothpick.</li> </ul>	<ul style="list-style-type: none"> <li>• Avoid excess water on the igniter. A damp igniter will prevent burner from lighting.</li> <li>• Remove any lint that may remain after cleaning.</li> </ul>

## Burnt-on Dirt

For hard-to-remove, burnt-on dirt, you can order a cleaning gel from our online shop, from your specialist retailer or our Customer Service (item number 00311859). It is suitable for pan supports and the stainless steel recess. If necessary, let the dirt soak overnight. Follow the instructions on the cleaning agent.

**NOTICE:** DAMAGE TO THE SURFACE -

Do not use the cleaning gel on the burner parts.



# Customer Service

Contact our Customer Service if your appliance needs repair. Our Customer Service (see below) will be happy to supply you with details how to obtain a service repair.

## Before Calling for Service

Before calling Customer Service, consider the suggestions and instructions below:

### ⚠ CAUTION

Repairs should only be done by an authorized servicer.

Improper repair of your appliance may result in risk of severe physical injury or death.

Problem	Suggestion
Burner(s) do not light/igniters do not spark	<ul style="list-style-type: none"> <li>• Ensure that the gas shut-off valve is in the "ON" position and the gas supply to the house is not shut off.</li> <li>• Ensure that the burner caps and burner bases and the burner ports are not clogged. Clear ports with a wire or straightened paper clip if clogged.</li> <li>• Make sure the igniters are clean and dry.</li> <li>• Check the power supply. It should be properly grounded with the correct polarity. Ensure that the unit is fully plugged in to the outlet and the circuit breaker is not tripped.</li> </ul>
Burner flame goes out unexpectedly	Ensure that there is no draft in the room.
The igniters spark even though the knobs are in the off position	When the electrical power connection has been activated at the first power-up or reconnected after an outage, the igniters may spark once or twice, even though all burner knobs are in the "OFF" position.
Cooking results are not what was expected	<ul style="list-style-type: none"> <li>• Check the level of the cooktop burner during installation.</li> <li>• Cooking pan does not fit on the surface being used.</li> <li>• The cookware is not the recommended type or size. See "Notes regarding cookware" and "Baking pans and dishes".</li> </ul>

## How to Obtain Warranty Service

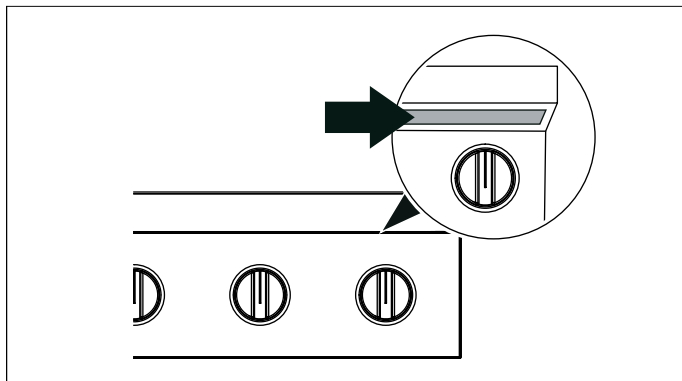
To obtain warranty service for your Product, you should contact Bosch Customer Service at 1-800-944-2904 to schedule a repair.

### Model (E) number and FD number

When you contact our service, please have the Model (E) number and the FD number for your appliance available.

You can find this information on the rating label

- on the back side of the appliance
- on the underside of the projecting control panel



Questions? Please contact us. We look forward to hearing from you.

**800-944-2904**  
[www.bosch-home.com](http://www.bosch-home.com)  
 1901 Main Street, Suite 600  
 Irvine, CA 92614

# STATEMENT OF LIMITED PRODUCT WARRANTY

## What this Warranty Covers & Who it Applies to

The limited warranty provided by BSH Home Appliances ("Bosch") in this Statement of Limited Product Warranty applies only to the Bosch appliance sold to you ("Product"), provided that the Product was purchased:

- For your normal, household (non-commercial) use, and has in fact at all times only been used for normal household purposes.
- New at retail from a BSH authorized dealer or directly from BSH (not a display, "as is", or previously returned model), and not for resale, or commercial use.
- Within the United States or Canada, and has at all times remained within the country of original purchase.

The warranties stated herein apply to the original purchaser of the product warranted herein and to each succeeding owner of the product purchased for ordinary home use during the term of the warranty.

Please make sure to register your Product; while not necessary to effectuate warranty coverage, it is the best way for Bosch to notify you in the unlikely event of a safety notice or product recall.

## How Long the Warranty Lasts

Bosch warrants that the Product is free from defects in materials and workmanship for a period of three hundred and sixty-five (365) days from the date of the original delivery. The foregoing timeline begins to run upon the date of the original delivery, and shall not be stalled, tolled, extended, or suspended, for any reason whatsoever. This Product is also warranted to be free from cosmetic defects in material and workmanship (such as scratches of stainless steel, paint/porcelain blemishes, chips, dents, or other damage to the finish) of the Product, for a period of thirty (30) days from the date of delivery or closing date for new construction. This cosmetic warranty excludes slight color variations due to inherent differences in painted and porcelain parts, as well as differences caused by kitchen lighting, product location, or other similar factors. This cosmetic warranty specifically excludes any display, floor, "As Is", or "B" stock appliances.

## Repair/Replace as Your Exclusive Remedy

During this warranty period, Bosch or one of its authorized service providers will repair your Product without charge to you (subject to certain limitations stated herein) if your Product proves to have been manufactured with a defect in materials or workmanship. If reasonable attempts to

repair the Product have been made without success, then Bosch will replace your Product (upgraded models may be available to you, in Bosch's sole discretion, for an additional charge). Nothing in this warranty requires damaged or defective parts to be replaced with parts of a different type or design than the original part. All removed parts and components shall become the property of Bosch at its sole option. All replaced and/or repaired parts shall assume the identity of the original part for purposes of this warranty and this warranty shall not be extended with respect to such parts. Bosch's sole liability and responsibility hereunder is to repair manufacturer-defective Product only, using a Bosch authorized service provider during normal business hours. For safety and property damage concerns, Bosch highly recommends that you do not attempt to repair the Product yourself, or use a non-authorized service provider; Bosch will have no responsibility or liability for damage resulting from repairs or work performed by a non-authorized service provider. Authorized service providers are those persons or companies that have been specially trained on Bosch products, and who possess, in Bosch's opinion, a superior reputation for customer service and technical ability (note that they are independent entities and are not agents, partners, affiliates or representatives of Bosch). Nevertheless, taking your product to be serviced by a repair shop that is not affiliated with or an authorized dealer of Bosch will not void this warranty. Also, using third-party parts will not void this warranty. Notwithstanding the foregoing, Bosch will not incur any liability, or have responsibility, for the Product if it is located in a remote area (more than 100 miles from an authorized service provider) or is reasonably inaccessible, hazardous, threatening, or treacherous locale, surroundings, or environment; in any such event, if you request, Bosch would still pay for labor and parts and ship the parts to the nearest authorized service provider, but you would still be fully liable and responsible for any travel time or other special charges by the service company, assuming they agree to make the service call. Further, to the extent you have installed the Product in a difficult-to-access location or have otherwise installed temporary or permanent fixtures that create barriers to accessing or removing the Product, Bosch will not incur any liability for, or have responsibility, for work or costs associated with moving the Product or otherwise creating access to the Product in order to repair or replace it. All such costs shall be your sole responsibility.

## Out of Warranty Product

Bosch is under no obligation, at law or otherwise, to provide you with any concessions, including repairs, prorates, or Product replacement, once this warranty has expired.

## Warranty Exclusions

The warranty coverage described herein excludes all defects or damage that is not the direct fault of Bosch, including without limitation, one or more of the following:

- Use of the Product in anything other than its normal, customary and intended manner (including without limitation, any form of commercial use, use or storage of an indoor product outdoors, use of the Product in conjunction with air or water-going vessels).
- Any party's willful misconduct, negligence, misuse, abuse, accidents, neglect, improper operation, failure to maintain, improper or negligent installation, tampering, failure to follow operating instructions, mishandling, unauthorized service (including self performed "fixing" or exploration of the appliance's internal workings).
- Adjustment, alteration or modification of any kind.
- A failure to comply with any applicable state, local, city, or county electrical, plumbing and/or building codes, regulations, or laws, including failure to install the product in strict conformity with local fire and building codes and regulations.
- Ordinary wear and tear, spills of food, liquid, grease accumulations, or other substances that accumulate on, in, or around the Product.
- Any external, elemental and/or environmental forces and factors, including without limitation, rain, wind, sand, floods, fires, mud slides, freezing temperatures, excessive moisture or extended exposure to humidity, lightning, power surges, structural failures surrounding the appliance, and acts of God.
- Service calls to correct the installation of your Product, to instruct you how to use your Product, to replace house fuses or correct house wiring or plumbing.
- Removal and replacement of trim or decorative panels that interfere with servicing the Product.
- Damage or defects caused by labor or parts installed by any non-authorized service provider, unless approved by Bosch before service is performed.

In no event shall Bosch have any liability or responsibility whatsoever for damage to surrounding property, including cabinetry, floors, ceilings, and other structures or objects around the Product. Also excluded from this warranty are Products, on which the serial numbers have been altered, defaced, or removed; service visits to teach you how to use the Product, or visits where there is nothing wrong with the Product; correction of installation problems (you are solely responsible for any structure and setting for the Product, including all electrical, plumbing or other connecting facilities, for proper foundation/flooring, and for any alterations including without limitation cabinetry, walls, floors, shelving, etc.); and resetting of breakers or fuses.

TO THE EXTENT ALLOWED BY LAW, THIS WARRANTY SETS OUT YOUR EXCLUSIVE REMEDIES WITH RESPECT TO PRODUCT, WHETHER THE CLAIM ARISES IN

CONTRACT OR TORT (INCLUDING STRICT LIABILITY, OR NEGLIGENCE) OR OTHERWISE. THIS WARRANTY IS IN LIEU OF ALL OTHER WARRANTIES, WHETHER EXPRESS OR IMPLIED. ANY WARRANTY IMPLIED BY LAW, WHETHER FOR MERCHANTABILITY OR FITNESS FOR A PARTICULAR PURPOSE, OR OTHERWISE, SHALL BE EFFECTIVE ONLY FOR THE PERIOD THAT THIS EXPRESS LIMITED WARRANTY IS EFFECTIVE. IN NO EVENT WILL THE MANUFACTURER BE LIABLE FOR CONSEQUENTIAL, SPECIAL, INCIDENTAL, INDIRECT, "BUSINESS LOSS", AND/OR PUNITIVE DAMAGES, LOSSES, OR EXPENSES, INCLUDING WITHOUT LIMITATION TIME AWAY FROM WORK, HOTELS AND/OR RESTAURANT MEALS, REMODELLING EXPENSES IN EXCESS OF DIRECT DAMAGES WHICH ARE DEFINITELY CAUSED EXCLUSIVELY BY BOSCH, OR OTHERWISE. SOME STATES DO NOT ALLOW THE EXCLUSION OR LIMITATION OF INCIDENTAL OR CONSEQUENTIAL DAMAGES, AND SOME STATES DO NOT ALLOW LIMITATIONS ON HOW LONG AN IMPLIED WARRANTY LASTS, SO THE ABOVE EXCLUSIONS OR LIMITATIONS MAY NOT APPLY TO YOU. THIS WARRANTY GIVES YOU SPECIFIC LEGAL RIGHTS, AND YOU MAY ALSO HAVE OTHER RIGHTS WHICH VARY FROM STATE TO STATE.

No attempt to alter, modify or amend this warranty shall be effective unless authorized in writing by an officer of BSH.

## Obtaining Warranty Service

To obtain warranty service for your product, you should contact Bosch Customer Service at 1-800-944-2904 to schedule a repair.

## Product information

For handy reference, copy the information below from the rating plate. Keep your invoice and/or delivery documents for warranty validation.

---

Model number (E-Nr.)

---

Production number (FD)

---

Date of delivery

---

# Table des Matières

<b>▲ Définitions de sécurité</b> .....	<b>20</b>	<b>Remarque concernant les ustensiles</b> .....	<b>33</b>
<b>CONSIGNES DE SÉCURITÉ IMPORTANTES</b> .....	<b>21</b>	Ustensile de cuisson convenable .....	33
Sécurité-incendie .....	22	Recommandations en matière d'ustensiles de cuisson .....	33
Sécurité en matière de gaz .....	22	Conseils d'utilisation .....	33
Prévention des brûlures .....	23	<b>Nettoyage et entretien</b> .....	<b>34</b>
Sécurité des enfants .....	23	Nettoyage quotidien .....	34
Consignes en matière de nettoyage .....	24	Lignes directrices de nettoyage .....	34
Sécurité pour la batterie de cuisine .....	24	Salissures brûlées .....	35
Installation et entretien corrects .....	24	<b>Service après-vente</b> .....	<b>36</b>
Avertissement issu de la proposition 65 : .....	25	Dépannage .....	36
Conversion gaz au propane .....	25	Comment bénéficier du service de garantie .....	36
Installation à altitude élevée .....	25	<b>ÉNONCÉ DE LA GARANTIE LIMITÉE</b> .....	<b>37</b>
<b>Mise en route</b> .....	<b>26</b>	Couverture de la garantie limitée .....	37
Pièces et accessoires .....	26	Durée de la garantie .....	37
Montage des chapeaux de brûleur .....	26	Réparation ou remplacement : votre recours exclusif .....	37
Accessoires spéciaux (non-inclus) .....	27	Produit hors garantie .....	37
<b>Fonctionnement</b> .....	<b>28</b>	Exclusions de garantie .....	38
Avant la première utilisation de l'appareil .....	28	Comment obtenir une réparation sous garantie : .....	38
Concernant cet appareil .....	28		
Tirer le meilleur parti de l'électroménager .....	31		

## ▲ Définitions de sécurité

### ▲ AVERTISSEMENT

Ceci indique que le non-respect de cet avertissement peut entraîner des blessures graves, voire la mort.

### ▲ ATTENTION

Ceci indique que le non-respect de cet avertissement peut entraîner des blessures légères ou de gravité moyenne.

**AVIS :** Ceci indique que la non-conformité à cet avis de sécurité peut entraîner des dégâts matériels ou endommager l'appareil.

**Remarque :** Ceci vous signale des informations et/ou indications importantes.



# CONSIGNES DE SÉCURITÉ IMPORTANTES

LIRE ET CONSERVER CES INSTRUCTIONS

## **⚠ AVERTISSEMENT :**

**Si les directives ne sont pas suivies à la lettre, il y a un risque d'incendie ou d'explosion pouvant entraîner des dommages matériels, des blessures ou un décès.**

- Ne pas conserver ou utiliser de l'essence ou d'autres liquides ou vapeurs inflammables à proximité de cet appareil ou de tout autre appareil.
- **QUE FAIRE SI VOUS PERCEVEZ UNE ODEUR DE GAZ**
  - Ne pas essayer de mettre un appareil sous tension.
  - Ne pas toucher d'interrupteur de courant électrique.
  - Ne pas utiliser de téléphones dans l'édifice.
  - Communiquer immédiatement avec le fournisseur de gaz depuis l'appareil téléphonique d'un voisin. Respecter les directives du fournisseur de gaz.
  - S'il s'avère impossible de joindre le fournisseur de gaz, communiquer avec les pompiers.
- Utiliser les services d'un installateur ou d'une agence de services qualifiés ou le fournisseur de gaz pour procéder à l'installation et aux réparations.

## **⚠ AVERTISSEMENT :**

**Ne jamais faire fonctionner la surface de la table de cuisson de cet appareil sans surveillance.**

- Le non-respect de cet avertissement pourrait entraîner un risque d'incendie, d'explosion ou de brûlure qui pourrait provoquer des dommages matériels, des blessures ou un décès.
- En cas d'incendie, se tenir à l'écart de l'appareil et appeler immédiatement les pompiers.

**NE PAS ESSAYER D'ÉTEINDRE UN INCENDIE DE GRAISSE OU D'HUILE AVEC DE L'EAU.**

# **CONSIGNES DE SÉCURITÉ IMPORTANTES**

## LIRE ET CONSERVER CES INSTRUCTIONS

**IMPORTANT :** CONSERVEZ CES CONSIGNES À L'INTENTION DE L'INSPECTEUR EN ÉLECTRICITÉ.

**INSTALLATEUR :** PRIÈRE DE LAISSER CES CONSIGNES AVEC CET APPAREIL À L'INTENTION DU PROPRIÉTAIRE.

**PROPRIÉTAIRE :** PRIÈRE DE CONSERVER CES CONSIGNES POUR RÉFÉRENCE ULTÉRIEURE.

---

### AVERTISSEMENT

---

Correctement entretenu, votre électroménager neuf a été conçu pour être sécuritaire et fiable. Lisez attentivement toutes les instructions avant l'utilisation. Ces précautions réduiront le risque de brûlure, d'électrocution, d'incendie et de blessures corporelles. Lorsque vous utilisez des appareils électroménagers de cuisine, il importe de suivre des précautions de sécurité de base, y compris celles indiquées dans les pages suivantes.

---

### Sécurité-incendie

Conserver ces instructions.

Régler la commande de brûleur afin que la flamme ne puisse pas dépasser le rebord du fond des casseroles.

Ne laissez pas le papier d'aluminium, le plastique, le papier ou les tissus entrer en contact avec un élément de surface, une grille ou un brûleur chaud. Ne laissez pas les casseroles chauffer à sec.

Si la table de cuisson est près d'une fenêtre, d'un évent à air forcé ou d'un ventilateur, s'assurer que les matériaux inflammables tels les tentures/rideaux ne flottent pas au-dessus ou près des brûleurs ou éléments. Ils risqueraient de s'enflammer.

Toujours avoir un détecteur de fumée en état de marche près de la cuisine.

Ne laissez jamais la table de cuisson sans surveillance lorsqu'elle est en utilisation. Des débordements causant de la fumée et des déversements graisseux peuvent prendre feu.

---

### AVERTISSEMENT

---

POUR RÉDUIRE LES RISQUES DE FEUX DE GRAISSE :

- a. Ne jamais faire fonctionner les unités de surface à des températures élevées sans surveillance. Des débordements causant de la fumée et des déversements graisseux peuvent prendre feu. Chauffer l'huile lentement à réglage faible ou moyen.
- b. Toujours mettre la hotte EN MARCHÉ pendant la cuisson à température élevée et au moment de flamber des aliments (p.ex., crêpes Suzette, cerises jubiléés, steak au poivre flambé).
- c. Souvent nettoyer les ventilateurs d'aération. Il ne faut pas que la graisse s'accumule sur le ventilateur ou sur le filtre.

- d. Utiliser des casseroles de taille adéquate. Utiliser toujours des casseroles dont les dimensions conviennent à la taille de l'élément.
- 

Si des vêtements s'enflamment, jeter et rouler par terre immédiatement pour éteindre les flammes.

Étouffez les flammes d'un feu d'aliments autre qu'un feu de graisse à l'aide de bicarbonate de soude. Ne jamais utiliser d'eau sur les feux de cuisson.

S'assurer que l'air brassé par les ventilateurs ou les événements à air forcé n'agisse pas sur les flammes d'un brûleur de sorte qu'elles risquent de dépasser des rebords d'une casserole.

Veillez à avoir à portée de main un extincteur d'incendie en bon état de marche, placé visiblement près de l'appareil et facile d'accès.

---

### AVERTISSEMENT

---

POUR RÉDUIRE LE RISQUE DE LÉSIONS CORPORELLES DANS L'ÉVENTUALITÉ D'UN FEU DE GRAISSE, OBSERVER LES CONSIGNES SUIVANTES :

- a. ÉTOUFFER LES FLAMMES à l'aide d'un couvercle bien hermétique, d'une tôle à biscuits ou d'un plateau en métal, puis éteindre l'appareil. FAIRE ATTENTION À NE PAS SE BRÛLER. Si les flammes ne s'éteignent pas immédiatement, ÉVACUER LES LIEUX ET FAIRE APPEL AU SERVICE D'INCENDIE.
  - b. NE JAMAIS SAISIR UN RÉCIPIENT QUI BRÛLE. Vous pourriez vous brûler.
  - c. NE PAS UTILISER D'EAU, y compris les chiffons ou serviettes mouillées. Une violente explosion de vapeur risque de se produire.
  - d. Utiliser un extincteur uniquement si :
    - Vous savez que vous possédez un extincteur de CLASSE ABC, et vous en connaissez déjà le maniement.
    - L'incendie est de petite ampleur et contenu dans la zone où il s'est déclaré.
    - Le service d'incendie est appelé.
    - On peut combattre l'incendie le dos tourné vers la sortie.
- 

Dans la mesure du possible, ne pas faire fonctionner le système de ventilation lorsqu'un feu se déclenche sur une table de cuisson. Toutefois, ne pas passer la main à travers le feu pour mettre le système de ventilation hors tension.

### Sécurité en matière de gaz

Pour éviter toute accumulation d'oxyde de carbone, ne pas bloquer les événements de l'appareil.

Se faire indiquer l'emplacement du robinet d'arrêt de gaz par l'installateur.

Pour un fonctionnement adéquat des brûleurs, l'allumeur doit toujours être propre et sec.

Si un brûleur s'éteint et que du gaz s'échappe, ouvrir portes et fenêtres. Attendre que le gaz se soit dissipé avant d'utiliser de nouveau l'appareil.

# **CONSIGNES DE SÉCURITÉ IMPORTANTES**

## LIRE ET CONSERVER CES INSTRUCTIONS

AVIS DE SÉCURITÉ IMPORTANT : l'incinération de combustible gazeux de cuisson peut générer des sous-produits qui figurent sur la liste des substances reconnues par l'État de Californie comme étant cancérigènes ou nuisibles à la reproduction. Pour minimiser l'exposition à ces substances, toujours faire fonctionner cet appareil conformément aux instructions contenues dans cette brochure et assurer une bonne ventilation.

---

### AVERTISSEMENT

---

Tous les allumeurs émettent des étincelles lorsqu'on allume un brûleur. Ne toucher aucun brûleur lors de l'utilisation de la table de cuisson.

Si vous sentez du gaz, votre installateur n'a probablement pas détecté une fuite de gaz. Si les branchements ne sont pas parfaitement étanches, vous pourriez avoir une petite fuite et donc une légère odeur de gaz. La détection d'une fuite de gaz n'est pas une opération à faire soi-même. Certaines fuites ne peuvent être détectées que si le brûleur est en position de marche et ceci doit être fait par un technicien de réparation qualifié. Voir Avertissement à la page 21.

---

### AVERTISSEMENT

---

Pour éviter les poussées de flamme lors de l'utilisation de la table de cuisson, les grilles de brûleur doivent être correctement installées. Les pieds de support des grilles doivent reposer sur les alvéoles de la table de cuisson prévues à cet effet. Ne pas utiliser une grille si les pieds en caoutchouc sont absents ou abîmés.

Les orifices de l'allumeur doivent être propres pour que les brûleurs s'allument correctement. Il est impératif de nettoyer les brûleurs en cas de débordement ou si un brûleur ne s'allume pas même si l'allumeur émet un léger claquement.

---

### AVERTISSEMENT

---

Pour éviter les poussées de flamme, ne pas utiliser la table de cuisson sans avoir correctement installé les capuchons de brûleur et les grilles de brûleur.

---

### AVERTISSEMENT

---

Ne pas nettoyer ni toucher les brûleurs lorsque le brûleur à très faible puissance (s'il y en a un) est en cours d'utilisation. Lorsque le brûleur à très faible puissance se rallume automatiquement, l'allumeur émettra des étincelles au niveau du brûleur.

---

### AVERTISSEMENT

---

Utiliser cet appareil uniquement pour l'usage auquel il est destiné comme l'indique ce manuel. Ne JAMAIS utiliser cet appareil comme un radiateur électrique portatif pour chauffer ou réchauffer une pièce. Ceci pourrait entraîner une intoxication par l'oxyde de carbone et provoquer une surchauffe de l'appareil. L'appareil ne doit jamais servir à entreposer quoi que ce soit.

---

### Prévention des brûlures

NE PAS TOUCHER AUX ÉLÉMENTS DE SURFACE NI AUX ZONES PRÈS DES ÉLÉMENTS. Les unités de surface peuvent être chaudes même lorsqu'elles sont de couleur foncée. Les zones près des unités de surface peuvent devenir suffisamment chaudes pour causer des brûlures. Pendant et après l'utilisation, ne pas toucher, ni laisser vêtements, poignées isolantes ou autres matériaux inflammables entrer en contact avec les éléments de surface ni aux zones près des éléments tant qu'ils n'ont pas refroidi. Citons notamment la table de cuisson et les surfaces situées près de celle-ci.

Ne pas chauffer ou réchauffer des contenants d'aliments non ouverts. L'accumulation de pression peut faire exploser le contenant et provoquer des blessures.

Utiliser les réglages élevés seulement lorsque nécessaire. Pour éviter bulles et éclaboussures, chauffer l'huile lentement à réglage faible ou moyen. L'huile chaude peut causer des brûlures et blessures extrêmement graves.

Ne déplacez jamais une poêle contenant de l'huile chaude, en particulier une bassine à friture. Attendez qu'elle se soit refroidie.

Attacher les vêtements lâches, etc. avant de commencer. Attacher les cheveux longs de façon à ce qu'ils ne pendent pas et ne pas porter de vêtements lâches ou d'habits ou objets qui pendillent, tels que cravates, foulards, bijoux ou manches.

Ne pas placez des objets sur le panneau de commande de projection devant les brûleurs. La zone devient très chaude lors de la cuisson.

---

### Sécurité des enfants

Lorsque les enfants sont assez âgés pour utiliser l'appareil, il incombe aux parents ou tuteurs légaux de veiller à ce qu'ils soient formés aux pratiques sécuritaires par des personnes qualifiées.

Ne permettre à personne de grimper, rester debout, s'appuyer, s'asseoir ou se pencher sur toute partie d'un appareil, notamment une porte, un tiroir-réchaud ou un tiroir de rangement. Ceci peut endommager l'appareil qui risque de basculer et causer des blessures sérieuses.

Ne pas permettre aux enfants d'utiliser cet appareil sauf sous la surveillance attentive d'un adulte. Ne pas laisser les enfants et les animaux seuls ou sans surveillance lorsque l'appareil est en service. Ne jamais les laisser jouer aux alentours de l'appareil, que ce dernier soit en service ou non.

# **CONSIGNES DE SÉCURITÉ IMPORTANTES**

## LIRE ET CONSERVER CES INSTRUCTIONS

---

### ATTENTION

---

Les articles d'intérêt pour les enfants ne doivent pas être rangés dans un appareil électroménager, dans les armoires au-dessus de l'appareil ou sur le dossier. Les enfants peuvent grimper sur l'appareil pour atteindre ces objets et se blesser sérieusement.

---

### Consignes en matière de nettoyage

**AVIS DE SÉCURITÉ IMPORTANT :** en application de la loi de la Californie sur la qualité de l'eau potable et sur les produits toxiques (« California Safe Drinking Water and Toxic Enforcement Act »), le Gouverneur de Californie est tenu de publier une liste des substances reconnues par l'État de Californie comme étant cancérigènes ou pouvant causer des malformations ou nuire à la reproduction, et les entreprises sont tenues d'avertir les consommateurs des risques potentiels d'exposition à de telles substances. L'incinération de combustible gazeux de cuisson et l'élimination de salissures lors d'un autonettoyage peuvent générer des sous-produits qui figurent sur cette liste. Pour minimiser l'exposition à ces substances, toujours faire fonctionner cet appareil conformément aux instructions contenues dans cette brochure et assurer une bonne ventilation.

---

### AVERTISSEMENT

---

La combustion d'un gaz de cuisson peut créer de petites quantités de monoxyde de carbone, de benzène et de formaldéhyde. Pour minimiser l'exposition à ces substances, les brûleurs doivent être réglés par un installateur ou un organisme agréé pour assurer une combustion adéquate. Pour une bonne ventilation, utilisez une fenêtre ouverte, un ventilateur ou une hotte lorsque vous cuisinez au gaz. Utilisez toujours l'appareil conformément aux instructions de ce manuel.

---

Après tout déversement ou débordement, éteindre le brûleur et laisser la table de cuisson refroidir. Nettoyer le pourtour du brûleur ainsi que ces orifices. Une fois ce nettoyage terminé, vérifier le bon fonctionnement du brûleur.

Ne nettoyez pas l'appareil pendant qu'il est encore chaud. Certains produits nettoyants produisent des vapeurs nocives lorsqu'ils sont appliqués sur une surface chaude. Chiffons ou éponges humides peuvent causer des brûlures par dégagement de vapeur.

### Sécurité pour la batterie de cuisine

Tenir la poignée de la casserole en brassant ou tournant les aliments. Ceci l'empêche de bouger et évite les déversements.

Utiliser des casseroles de taille adéquate. L'utilisation de casseroles trop petites aura pour effet d'exposer une partie de l'élément chauffant ou du brûleur pouvant présenter un risque de contact direct et d'incendie de vêtements. Sélectionner des ustensiles à fond plat, suffisamment larges pour couvrir l'élément chauffant. Cet appareil est doté de surfaces de différents formats. Un bon rapport ustensile/élément chauffant ou brûleur permet également d'améliorer le fonctionnement de l'appareil.

Toujours tourner les poignées pour qu'elles ne passent pas au-dessus des zones adjacentes de cuisson ou du bord de l'appareil. Ceci aide à diminuer le risque d'ignition de matériaux inflammables, de déversements et de brûlures.

Ajuster la taille de la flamme des brûleurs afin qu'elle ne dépasse pas le bord des ustensiles. Un bon rapport flamme/ustensile entraîne une diminution des risques en matière de sécurité.

### Installation et entretien corrects

Demandez à l'installateur de vous montrer où se trouve le disjoncteur ou le fusible. Identifier sa position pour pouvoir le retrouver facilement.

Cet appareil doit être adéquatement installé et mis à la terre par un technicien agréé. Branchez l'appareil uniquement dans une prise correctement reliée à la terre. Pour plus de détails, reportez-vous à la notice d'installation.

Cet appareil est destiné uniquement à une utilisation domestique normale. Il n'est pas homologué pour un usage en extérieur. Voyez l'Énoncé de la Garantie Limitée. Si vous avez des questions, communiquez avec le fabricant.

Ne pas entreposer ni utiliser de produits chimiques corrosifs, vapeurs, substances inflammables ou produits non alimentaires à l'intérieur ou à proximité de l'appareil. Il a été spécialement conçu pour être utilisé pendant le chauffage et la cuisson des aliments. L'emploi de produits chimiques corrosifs pour chauffer ou nettoyer l'appareil endommagera ce dernier et peut provoquer des blessures.

---

### AVERTISSEMENT

---

Le non respect du mode de fonctionnement des boutons peut entraîner des lésions corporelles ou des dommages à l'appareil.

---



# **CONSIGNES DE SÉCURITÉ IMPORTANTES**

## LIRE ET CONSERVER CES INSTRUCTIONS

Cet appareil n'est pas prévu pour fonctionner avec un programmateur externe ou une télécommande externe. Ne pas se servir de cet appareil s'il ne fonctionne pas correctement ou s'il est endommagé. Communiquer avec un réparateur autorisé.

Ne pas réparer ni remplacer une pièce de l'appareil électroménager à moins que cela ne soit spécifiquement recommandé dans le présent manuel. Pour toute réparation, faire affaire avec un fournisseur de réparation autorisé par le fabricant.

Pour éviter les risques d'électrocution, avant de réparer l'appareil, mettre l'alimentation hors circuit au niveau du panneau de service et le verrouiller pour éviter toute mise en circuit accidentelle.

### **Avertissement issu de la proposition 65 :**

Ce produit pourrait contenir un produit chimique reconnu par l'État de la Californie comme cancérigène ou ayant des effets nocifs sur la reproduction. Par conséquent, l'emballage de votre produit pourrait porter l'étiquette suivante, comme requis par la Californie :

**AVERTISSEMENT ISSU DE LA PROPOSITION 65 DE L'ÉTAT DE LA CALIFORNIE :**



#### **AVERTISSEMENT**

Cancer et dommages à la reproduction  
[www.P65Warnings.ca.gov](http://www.P65Warnings.ca.gov)

### **Conversion gaz au propane**

#### **AVERTISSEMENT**

Si l'appareil n'est pas installé par un installateur ou un électricien qualifié, des blessures corporelles ou la mort par électrocution peuvent survenir.

Tous les ajouts, modifications ou conversions nécessaires pour que cet appareil réponde de manière satisfaisante aux besoins de l'application doivent être effectués par un technicien qualifié.

### **AVERTISSEMENT**

**Cette trousse de conversion doit être installée par une agence de réparation qualifiée en conformité aux directives du fabricant et de tous les autres codes et toutes les exigences en vigueur de l'autorité ayant juridiction. Si les directives ne sont pas suivies à la lettre, il y a un risque d'incendie, d'explosion ou de génération de monoxyde de carbone pouvant entraîner des dommages matériels, des blessures ou une perte de vie. L'agence de réparation qualifiée est responsable de la bonne installation de cette trousse. L'installation n'est pas jugée terminée et adéquate jusqu'à ce que l'on ait testé l'appareil converti comme précisé dans les directives du fabricant fournies avec la trousse.**

### **Installation à altitude élevée**

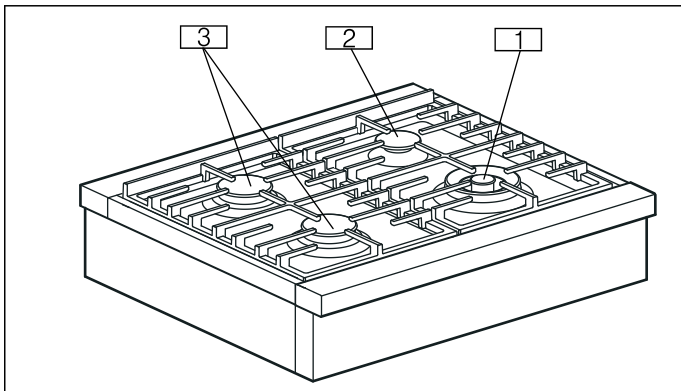
Cet appareil a été testé pour son fonctionnement jusqu'à une altitude de 10 000 pi (3 048 m) d'altitude au-dessus du niveau de la mer.

Si désiré, pour des altitudes supérieures à 2 000 pi (610 m) d'altitude au-dessus du niveau de la mer, des ajustements peuvent être apportés. Veuillez vérifier les brûleurs au réglage le plus bas. Si la flamme est instable, haussez la flamme de mijotage jusqu'à ce qu'elle soit stable. Vous pouvez le faire en réglant la vis de dérivation de la soupape. Si la flamme réagit de manière satisfaisante, aucun ajustement n'est requis. C'est requis qu'un professionnel certifié effectue les réglages de haute altitude pendant l'installation. Des ensembles de buses à haute altitude pour le gaz naturel et le gaz propane sont disponibles pour les installations à 2 000-6 500 pi (610 à 1 981 m) ou 6 501 à 10 000 pi (1 982 à 3 048 m) si les réglages à l'aide de la vis de dérivation ne résolvent pas les problèmes de performance.

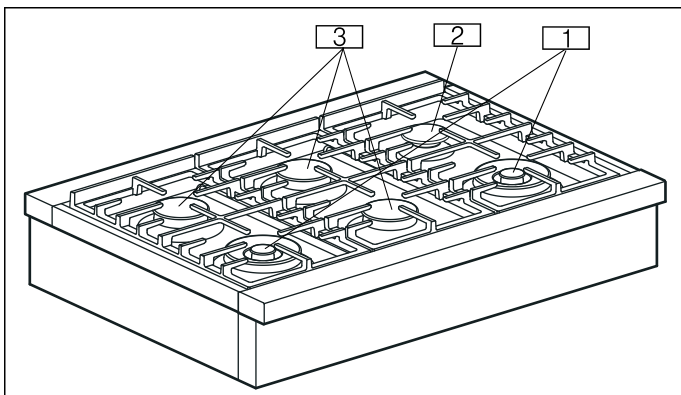
# Mise en route

## Pièces et accessoires

30"



36"



Non.	Désignation
1	Brûleur à double flamme (18,000 BTU/ 5.3 kW)
2	Petit brûleur (5,000 BTU/ 1.5 kW) Caractéristiques OptiSim®
3	Grand brûleur (12,000 BTU/ 3.5 kW)

## Montage des chapeaux de brûleur

### Brûleurs scellés

Votre table de cuisson neuve dispose de brûleurs à gaz scellés. Il n'y a aucune pièce de brûleur à nettoyer, démonter ou régler sous la table de cuisson. Votre table de cuisson a trois tailles de brûleurs différentes : petite, grande et double flamme.

---

#### ▲ AVERTISSEMENT

Pour éviter les poussées, n'utilisez pas la table de cuisson sans tous les chapeaux de brûleur et toutes les grilles de brûleur correctement positionnés.

---

---

#### ▲ AVERTISSEMENT

Pour éviter les brûlures, ne touchez pas les chapeaux ou les grilles du brûleur lorsqu'il sont chauds. Éteignez la table de cuisson et laissez refroidir les brûleurs.

---

Les pièces du brûleur doivent être correctement positionnées pour que la plaque de cuisson puisse fonctionner correctement. Si les pièces du brûleur ne sont pas correctement positionnées, un ou plusieurs des problèmes suivants peuvent survenir :

- La flamme du brûleur est trop élevée.
- Des flammes jaillissent des brûleurs.
- Les brûleurs ne s'allument pas.
- La flamme du brûleur n'est pas uniforme.
- Une odeur de gaz se dégage du brûleur.

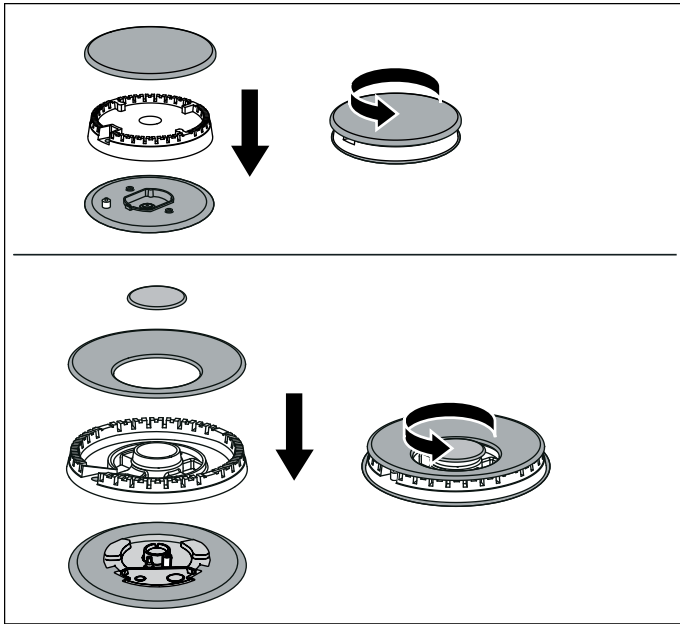
#### Positionnement du chapeau et de la base du brûleur

Après avoir terminé le raccordement électrique, déposer chaque base de brûleur à l'endroit correspondant sur la table de cuisson. Une des trois rainures sur la base du brûleur doit être alignée avec l'encoche pour empêcher son pivotement. Le petit trou ou la petite découpe près du rebord doit aussi être aligné(e) avec l'allumeur. Faire très attention de ne pas endommager l'allumeur lors de l'installation de la base. Voir l'illustration ci-dessous.

Une fois toutes les bases installées et bien appuyées, placer les chapeaux de brûleur sur la base correspondante. Voir l'illustration.

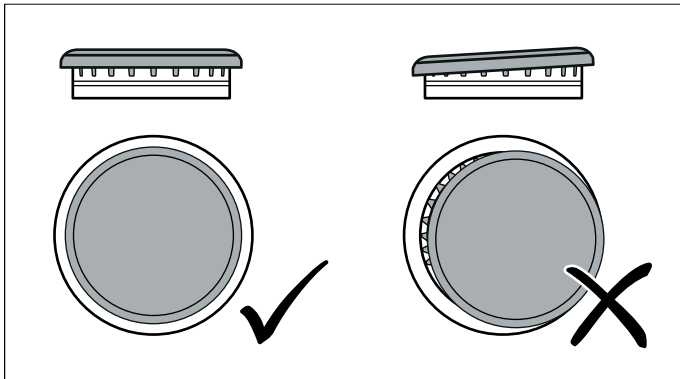
Déposer délicatement le chapeau de brûleur sur le dessus de la base de sorte que les pattes de la base soient bien ajustées dans la goulotte du chapeau du brûleur.

Si un installateur certifié retire la table de travail (par exemple pour vérifier le raccordement électrique ou les conduites), il faut réinsérer les vis à tête cylindrique large pour assurer le bon fonctionnement des brûleurs.



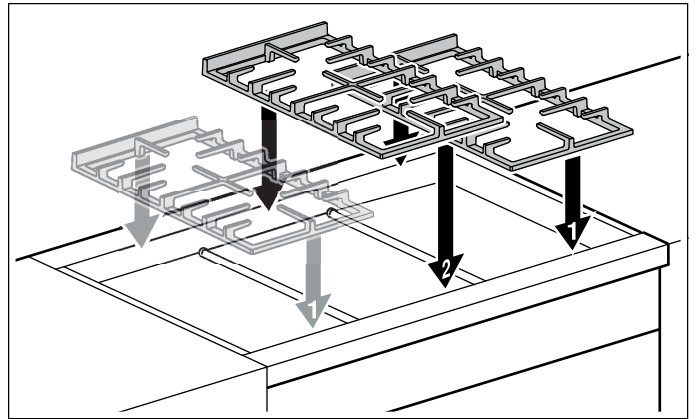
**Vérification du positionnement du chapeau du brûleur**  
S'assurer qu'il n'y a aucun espace entre le chapeau et la base du brûleur. Consulter l'illustration ci-dessous pour voir un positionnement correct et incorrect du chapeau du brûleur.

Vous pouvez essayer délicatement de bouger le chapeau du brûleur pour vérifier s'il est correctement positionné. Si tel est le cas, un clic se fera entendre lorsque les pattes du chapeau frapperont la saillie de la goulotte.



### Installation des grilles

Positionnez d'abord les grilles extérieures, puis la grille centrale. Si vous n'avez que deux grilles, l'ordre dans lequel vous les positionnez n'est pas important.



### Accessoires spéciaux (non-inclus)

#### Anneau de support pour wok

Utilisation :

Convient uniquement aux brûleurs à double flamme. Utilisez un ustensile de cuisson à fond arrondi.

Numéro de commande : HEZ9-GW23UC

#### Plaque à griller

Utilisation :

La plaque chauffante permet des repas qui sont généralement cuits dans une poêle à préparer avec une teneur réduite en matières grasses.

Numéro de commande : HEZ9GR41UC

#### Dosseret

Utilisation :

Protection du panneau arrière.

Numéro de commande 30 po : HEZ7YZ30UC

Numéro de commande 36 po : HEZ7YZ36UC

# Fonctionnement

## Avant la première utilisation de l'appareil

- Retirer tous les matériaux d'emballage et la documentation de la table de cuisson.
- Lorsqu'elle est froide, essuyer la table de cuisson avec une éponge humide propre, et sécher.
- L'appareil peut dégager une légère odeur lors des premières utilisations. Ceci est normal et disparaîtra.
- Pour obtenir des résultats de cuisson optimum, choisir et utiliser des ustensiles appropriés. (Voir « Choisir des ustensiles de cuisson - Recommandations sur la batterie de cuisine »).
- Lire toutes les précautions de sécurité et informations contenues dans le Guide d'utilisation et d'entretien avant de procéder à l'utilisation de l'appareil.

## Concernant cet appareil

Utiliser la table de cuisson pour des applications de cuisson sur une surface comme bouillir, frire, mijoter, cuire à la vapeur et sauter.

### ▲ AVERTISSEMENT

La combustion de gaz combustible pour la cuisson peut générer de faibles quantités de monoxyde de carbone, de benzène, de formaldéhyde et de suie. Pour minimiser l'exposition à ces substances, un installateur certifié ou un réparateur autorisé doit régler les brûleurs pour assurer une bonne combustion. Assurer une bonne ventilation en laissant une fenêtre ouverte, ou utiliser un ventilateur ou une hotte d'aération lorsque vous cuisinez avec du gaz. Toujours faire fonctionner l'appareil en suivant les consignes de ce manuel.

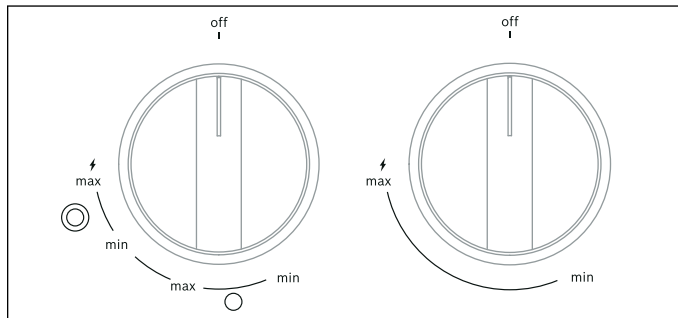
### Boutons de commande

La plaque de cuisson est munie d'un bouton de commande pour chaque brûleur. Poussez et tournez vers la gauche pour allumer et régler la chaleur sur la température désirée.

### ▲ AVERTISSEMENT

Le non respect du mode de fonctionnement des boutons peut entraîner des lésions corporelles ou des dommages à l'appareil.

La plaque de cuisson est équipée de commandes de brûleur standard.



### Symbole Signification

arrêt	Zone de cuisson désactivée
min	Puissance minimum
max	Puissance maximum
o	Flamme intérieure allumée
⊙	Flamme intérieure et extérieure activées

### Fonctionnement

Sélectionnez le bouton de commande approprié, poussez et tournez dans le sens antihoraire jusqu'au réglage de flamme souhaité. Avec ce mouvement, les étincelles du brûleur et le flux de gaz seront initiés. Une fois que la flamme apparaît, maintenez le bouton enfoncé à fond pendant 2-3 secondes avant de le relâcher.

**Remarque :** Il est normal que des étincelles apparaissent à tous les brûleurs.

Tournez le bouton de commande dans le sens horaire pour l'éteindre.

### En cas de panne de courant

En cas de panne de courant, les brûleurs peuvent être allumés par une autre source de flamme. Tenez une source de flamme allumée à côté des orifices de sortie de gaz du brûleur, tournez le bouton correspondant en position max, et retirez la source de flamme immédiatement après l'allumage du brûleur.

### Système de sécurité en cas de défaillance de la flamme

Votre cuisinière est équipée d'un système de sécurité qui coupe le flux de gaz en cas d'extinction de la flamme par accident, c'est-à-dire à cause d'un fort courant d'air ou d'un déversement important - empêchant ainsi une fuite de gaz non brûlé. Ce système nécessite une certaine procédure de démarrage du brûleur, voir ci-dessus, ce qui signifie que le bouton doit être enfoncé complètement pendant quelques secondes jusqu'à ce que le thermocouple du brûleur soit chauffé par la flamme et maintienne le débit de gaz.

## Fonctionnement normal - Allumage électronique

La plaque de cuisson utilise des allumeurs électroniques pour allumer les brûleurs. Il n'y a aucune flamme pilote. Chaque brûleur a son propre allumeur. Tous les allumeurs sont activés lorsqu'un bouton de commande est enfoncé.

---

### ⚠ ATTENTION

---

Pour éviter toute possibilité de blessure ou d'endommagement de l'électroménager, s'assurer que les grilles sont installées exactement suivant les consignes de montage et non à l'envers ou sens dessus dessous.

---

Pour un bon fonctionnement, l'allumeur doit être propre et sec.

- Évitez de mouiller ou de laisser tomber des aliments sur l'allumeur.
- Si l'allumeur est mouillé ou sale, il peut produire une étincelle sans toutefois allumer le brûleur ou même continuer à produire des étincelles malgré la présence d'une flamme.

**Remarque :** Si un brûleur ne s'allume pas dans les 4 secondes, éteindre le brûleur. Vérifiez si le chapeau du brûleur est bien installé sur sa base et que l'allumeur est propre et sec. Attendez au moins 5 minutes avant d'essayer de rallumer le brûleur. Si un brûleur refuse toujours de s'allumer, consultez la section « Avant d'appeler le service de dépannage ».

### Éteindre un brûleur

Tournez le bouton de commande correspondant en sens horaire à la position d'arrêt (off).

### Si la flamme s'éteint

Désactivez le bouton de commande. Attendez 5 minutes et remettez le brûleur en marche.

---

### ⚠ AVERTISSEMENT

---

#### DANGER DE DÉFLAGRATION

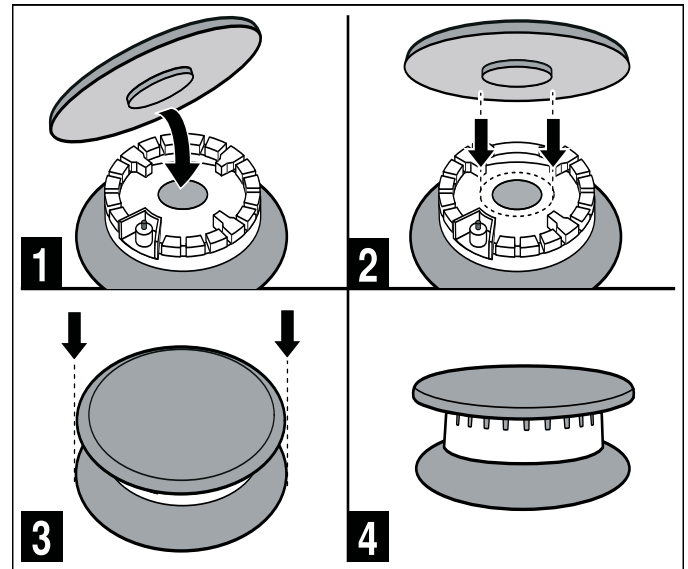
Si le brûleur ne s'allume pas après 15 secondes, éteignez le bouton de commande et ouvrez la porte ou la fenêtre de la pièce. Attendez au moins 5 minutes avant d'essayer de rallumer le brûleur.

---

## Caractéristique OptiSim®

OptiSim® a été conçu pour fonctionner sur le petit brûleur à l'arrière droit de la cuisinière et est utilisé pour optimiser le mijotage de sauces délicates tout en minimisant le risque de les brûler.

### Installation du chapeau du brûleur OptiSim®



Lorsque le chapeau est correctement installé, il dépassera de la base du brûleur et de la surface relevée.

### Plaque

Pour cuire la plupart des aliments sur la plaque chauffante, la surface doit être préchauffée. La puissance du brûleur peut nécessiter un réglage si la plaque chauffante est utilisée depuis longtemps.

### Avant la première utilisation

Avant d'utiliser votre nouvelle plaque chauffante, lavez-la dans de l'eau chaude savonneuse, rincez et séchez.

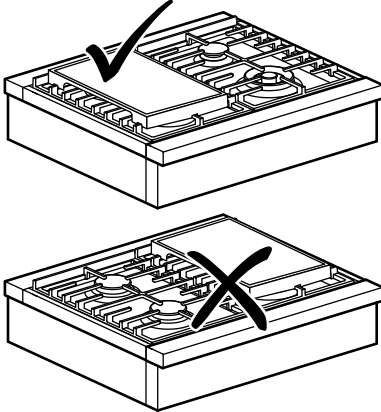
## Installation de la plaque

La plaque chauffante est personnalisée pour s'adapter uniquement sur les grilles illustrées ci-dessous.

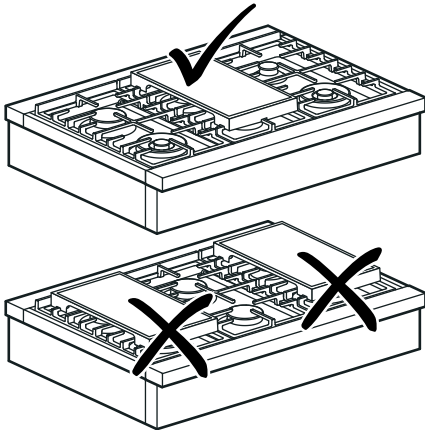
### ⚠ AVERTISSEMENT

Placer et retirer la plaque chauffante uniquement lorsque toutes les grilles et la plaque chauffante ont refroidi et tous les brûleurs sont éteints.

RGM8058UC



RGM8658UC



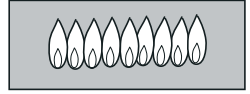
## Caractéristiques typiques de la flamme

La flamme du brûleur doit être de couleur bleue et stable, sans pointes jaunes, ni bruits excessifs, ni scintillements. Des flammes devraient apparaître autour du chapeau du brûleur.

### Vérification des caractéristiques de la flamme :

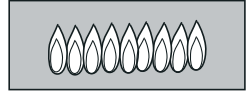
#### Flammes jaunes :

Des ajustements supplémentaires sont nécessaires.



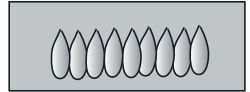
#### Pointes jaunes sur les cônes extérieurs :

Normal pour le gaz au propane.



#### Flammes bleues douces :

Normal pour le gaz naturel.



#### Flammes oranges :

Peut être normal si certains types d'humidificateurs sont utilisés dans la maison. Les flammes devraient redevenir bleues sans que l'humidificateur soit en marche.

- Si la flamme est complètement ou presque jaune, vérifiez que le régulateur est réglé avec le bon carburant. Recommencez le test après le réglage.
- Des stries jaunes sont normales lors de la première mise en service. Laissez l'appareil fonctionner pendant 4 à 5 minutes et réévaluez la situation avant d'effectuer les réglages.
- Des particules étrangères dans la conduite de gaz peuvent provoquer une flamme orange lors de la première utilisation. Cela devrait disparaître après quelques temps d'utilisation. Vérifiez le brûleur pour vous assurer que les orifices ne sont pas obstrués. Si les orifices sont obstrués → Page 36

**Remarque :** Un « bruit sourd » peut se faire entendre lorsque le brûleur est éteint manuellement. Il est possible qu'il soit plus intense avec du gaz au propane qu'avec du gaz naturel. Cela est normal.

## Tirer le meilleur parti de l'électroménager

### Suggestions de cuisson pour optimiser les résultats

- Faites bouillir l'eau dans une casserole avec un couvercle à température élevée en utilisant le plus grand brûleur pour optimiser les résultats. Si l'eau bouillante déborde, abaissez la température.
- Pour optimiser les résultats et faire fondre du chocolat ou du beurre, utilisez le plus petit brûleur avec la fonction OptiSim®.
- Pour faire mijoter un plat, amenez d'abord les aliments à ébullition. Mélangez correctement pour vous assurer que tout le contenu soit à ébullition puis mettez le couvercle et réduisez la chaleur pour laisser mijoter.
- Quand un plat mijote, on doit voir un peu de vapeur et la surface du liquide doit osciller légèrement.
- Utilisez un couvercle pour maintenir une température de cuisson uniforme et aider à réchauffer les aliments plus rapidement.
- Vérifiez les aliments à l'occasion, pour voir s'il faut abaisser ou hausser la température avec le bouton de commande.
- Il est normal de remuer les aliments à l'occasion.
- Déposez la casserole au centre du brûleur avant de l'allumer.
- Utilisez l'ustensile qui convient.
- Consultez les recommandations de réglage dans le tableau suivant pour connaître les suggestions.

### Recommandations de réglages

Utilisations	Réglage de température
Bouillir (par ex., de l'eau, du bouillon, etc.)	Élevé
Friture à la poêle, sauter, faire dorer la viande, grande friture	Moyenne à élevée
Cuisson sauté, œufs, crêpes, bacon	Moyenne
Cuire à la vapeur, braiser	Moyenne-faible
Faites fondre du chocolat ou du beurre, faites mijoter des sauces, de la soupe et des ragoûts (par ex., sauce tomate ou alfredo, mijoté de bœuf, etc.)	Faible

**Remarque :** Pour optimiser les résultats et faire fondre du chocolat ou du beurre, utilisez le plus petit brûleur avec la fonction OptiSim®.

### Cuisson au brûleur normal

Le tableau présente l'optimisation des réglages de chaleur pour différents plats. La température et le temps de cuisson varient en fonction de la quantité et de la température des aliments, et de la composition du plat. Pour cette raison, nous indiquons des fourchettes de réglages. Essayez d'abord d'utiliser le niveau de chaleur le plus faible. Pendant la cuisson, la chaleur peut être augmentée.

### Tableau de cuisson au brûleur normal

Nourriture	Brûleur	Niveau de température de cuisson Débutez la cuisson (bouillir, fondre, dorer, frire, etc.)	Niveau de température de cuisson Poursuivre la cuisson (mijoter, braiser, pocher, maintenir chaud, etc.)
<b>Boissons</b>			
Cidre chaud	Flamme double Grand	Élevé	Moyenne faible
Chocolat chaud	Flamme double Grand	Moyenne élevée	Faible
Thé	Petit	Élevé	Faible
<b>Pains</b>			
Pain doré	Flamme double Grand	Moyenne	Moyenne - Moyenne faible
Crêpes	Flamme double Grand	Moyenne	Moyenne - Moyenne faible
Sandwichs grillés	Flamme double Grand	Moyenne	Moyenne - Moyenne faible
<b>Céréales</b>			
Haricots	Flamme double Grand	Élevé	Moyenne - Moyenne faible
Semoule de maïs/Polenta	Grand	Élevé	Moyenne - Moyenne faible
Gruau de maïs	Grand	Élevé	Moyenne - Moyenne faible
Gruau	Grand	Élevé	Moyenne - Moyenne faible



<b>Nourriture</b>	<b>Brûleur</b>	<b>Niveau de température de cuisson</b> <b>Débuter la cuisson</b> <b>(bouillir, fondre, dorer, frire, etc.)</b>	<b>Niveau de température de cuisson</b> <b>Poursuivre la cuisson</b> <b>(mijoter, braiser, pocher, maintenir chaud, etc.)</b>
<b>Grande friture</b>			
Frites	Flamme double	Moyenne élevée	Moyenne élevée
Beignes	Flamme double	Moyenne élevée	Moyenne élevée
<b>Desserts</b>			
Garniture pour tarte, compote de fruits	Petit	Moyenne faible	Moyenne - Moyenne faible
Pouding	Petit	Moyenne faible	Moyenne - Moyenne faible
Fruits pochés	Flamme double Grand	Élevée - moyenne	Élevée - Moyenne faible
<b>Œufs</b>			
Frits	Flamme double Grand	Moyenne élevée	Moyenne faible
Brouillés	Flamme double Grand	Moyenne élevée	Moyenne Faible - faible
<b>Viande, poisson, volaille</b>			
Bacon, galettes à la saucisse	Flamme double	Moyenne élevée	Moyenne - Moyenne faible
Braiser : Viande braisée, bœuf braisé, viande à ragoût	Flamme double	Moyenne élevée	Faible
Cuisson sautée : poulet, poisson	Flamme double	Moyenne	Moyenne - Moyenne faible
Friture à la poêle : côtelettes d'agneau, steaks minces, galettes pour hamburger, saucisses en chapelet	Flamme double	Moyenne élevée	Moyenne
Mijoter : ragoût de poulet, bœuf en conserve, poisson poché	Flamme double	Élevé	Moyenne faible
<b>Pâtes</b>			
Tout type	Flamme double Grand	Élevé	Élevé
<b>Riz</b>			
Riz blanc	Grand	Élevé	Faible
Riz brun	Grand	Élevé	Faible
<b>Sauces</b>			
Sauce tomates : Marinara, bolognaise	Flamme double	Élevé	Faible
Sauces à base de crème : Alfredo, au fromage	Flamme double	Moyenne	Faible
Sauces à base de beurre : Béarnaise, Hollandaise	Grand Petit	Moyenne	Faible
<b>Soupes et bouillons</b>			
Soupe crémeuse	Flamme double Grand	Moyenne	Faible
Soupe à base de bouillon	Flamme double Grand	Élevé	Faible
Bouillon : Bœuf, poulet, légumes	Flamme double Grand	Élevé	Faible
<b>Légumes</b>			
Frais	Grand Petit	Élevé	Moyenne
Produits	Grand Petit	Élevé	Moyenne



## Remarque concernant les ustensiles

Les informations et conseils suivants ont été fournis pour vous aider à économiser de l'énergie et à éviter d'endommager vos ustensiles de cuisine.

### Ustensile de cuisson convenable

Brûleur	Diamètre recommandé de la base du fond de la casserole
Petit brûleur	5 po - 8 po (127 - 203 mm)
Grand brûleur	7 po - 9 1/2 po (178 - 240 mm)
Brûleur à flamme double	7 po - 11 po (178 - 280 mm)

**Les poêles d'un diamètre inférieur à 4,7 po (120 mm) ou supérieur à 11,0 po (280 mm) ne doivent pas être utilisées.** Si vous utilisez des casseroles plus grandes, celles-ci ne doivent pas dépasser les bords de l'appareil.

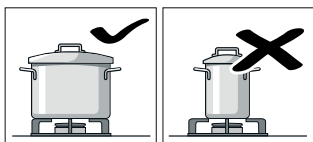
### Recommandations en matière d'ustensiles de cuisson

**Remarque :** Il est possible de percevoir une déformation temporaire de l'acier de la surface de cuisson lorsque vous utilisez certaines casseroles ou poêles. La déformation temporaire est normale et n'influence pas la fonctionnalité de l'appareil électroménager.

#### Ustensile de cuisson adéquat

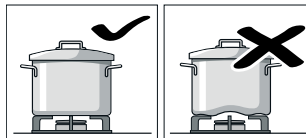
- Les casseroles à fond d'aluminium ou de cuivre conduisent la chaleur de façon uniforme.
- Les casseroles en acier inoxydable sans autres métaux n'offrent pas toujours une cuisson uniforme.
- Les ustensiles de fonte absorbent la chaleur lentement et cuisent plus uniformément à réglage moyen-faible.
- Des casseroles résistantes à fond plat sont stables et distribuent la chaleur uniformément.
- NE PAS UTILISER de casseroles minces, voilées, bosselées ou sillonnées, car elles ne distribuent pas la chaleur uniformément.

### Conseils d'utilisation



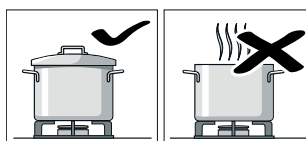
Utilisez des récipients de cuisson dont la taille est adaptée au brûleur.

N'utilisez pas de petits récipients de cuisson sur les grands brûleurs. La flamme ne doit pas remonter sur les côtés des récipients de cuisson.

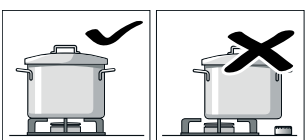


N'utilisez pas de récipients de cuisson déformés qui ne reposent pas bien à plat sur la table de cuisson. Les récipients peuvent basculer.

Utilisez seulement des récipients de cuisson à fond plat et épais.

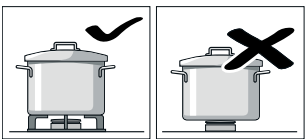


Ne faites pas cuire sans couvercle ou avec le couvercle mal positionné. Cela entraîne un important gaspillage d'énergie.



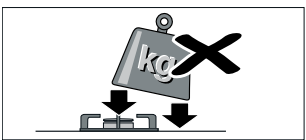
Centrez bien le récipient de cuisson au-dessus du brûleur, sinon il risque de basculer.

Ne placez pas de grandes casseroles sur les brûleurs situés près des commandes, ces dernières pourraient surchauffer et être endommagées.



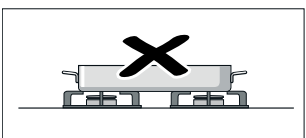
Posez les casseroles sur les grilles porte-casseroles, jamais directement sur les brûleurs.

Avant utilisation, assurez-vous que les grilles porte-casseroles et les chapeaux des brûleurs à gaz sont bien en place.



Manipulez avec précaution les récipients se trouvant sur la table de cuisson.

Ne donnez pas de coups sur la table de cuisson et n'y posez pas d'objets lourds.



Ne jamais chauffer un récipient de cuisson (p. ex. plat à rôtir, poêle, pierre à cuire) avec plusieurs brûleurs, à l'exception de la plaque chauffante. L'accumulation résultante de la chaleur endommage l'appareil.

# Nettoyage et entretien

## Nettoyage quotidien

Vous pouvez nettoyer l'ensemble la table de cuisson en toute sécurité en l'essuyant avec une éponge et de l'eau savonneuse, en la rinçant puis en l'essuyant. Pour les tâches tenaces, respectez les méthodes de nettoyage recommandées ci-dessous.

### Recommandations en matière de nettoyage :

- Gardez toujours la zone de l'appareil propre et exempte de matériaux combustibles, d'essence et d'autres vapeurs et liquides inflammables.
- Utilisez toujours le produit nettoyant le plus doux possible pour la tâche à accomplir. Utilisez des éponges ou des chiffons doux et propres ou des essuie-tout.
- Frottez le fini en acier inoxydable dans le sens du grain. Séchez la surface pour éviter les marques d'eau.
- Avant de nettoyer, assurez-vous que les brûleurs sont éteints et que les grilles et les brûleurs aient refroidi.
- Ne nettoyez pas les pièces amovibles de la table de cuisson dans un four autonettoyant ou au lave-vaisselle.
- N'obstruez pas le flux d'air qui se trouve autour des brûleurs de la table de cuisson, de la protection arrière de la cuisinière et de la porte.

- Après le nettoyage, remettez toutes les pièces à la bonne position avant d'utiliser la table de cuisson.
- Pour optimiser le rendement du brûleur, gardez les allumeurs propres et secs.
- Maintenez les ports de l'allumeur propre pour optimiser le rendement du brûleur. Il est nécessaire de nettoyer les ports de l'allumeur après un débordement ou quand le brûleur ne s'allume pas au déclenchement des allumeurs électroniques.
- N'utilisez pas de produit nettoyant inflammable tel que l'essence à briquet.
- N'utilisez pas des nettoyeurs à base de chlore.
- Commencez toujours par tester les nettoyeurs sur une petite zone peu visible.

### ⚠ ATTENTION

Tous les allumeurs produisent une étincelle lorsqu'on allume un brûleur quelconque. Ne touchez pas les brûleurs lorsque la table de cuisson est en cours d'utilisation.

## Lignes directrices de nettoyage

Les produits nettoyants recommandés ci-dessous et à la page suivante indiquent un type et ne signifient pas que nous cautionnons une marque en particulier. Utilisez tous les produits en suivant les instructions de l'emballage.

Pièces/matériel de la table de cuisson	Produits nettoyants suggérés	Rappels importants
Base du brûleur/ alliage d'aluminium	<ul style="list-style-type: none"><li>• Détergent et eau chaude ; rincez et séchez soigneusement.</li><li>• Brosse à dents à soies de nylon rigides pour nettoyer les ports.</li><li>• Produits nettoyants abrasifs : Tampons Brillo® ou S.O.S.®. Rincez et séchez.</li></ul>	<ul style="list-style-type: none"><li>• N'égratignez ou n'abîmez pas les ouvertures de ports.</li><li>• Nettoyez les ports avec un fil ou un trombone étiré.</li><li>• N'utilisez pas de cure-dents, car ils risquent de casser.</li><li>• N'immergez pas les bases des brûleurs.</li></ul>
Chapeau du brûleur / Émail vitrifié	<ul style="list-style-type: none"><li>• Détergent et eau chaude ; rincez et séchez soigneusement.</li><li>• Produits nettoyants non abrasifs : omettre l'ammoniaque, Fantastic®, Formula 409®.</li><li>• Produits nettoyants légèrement abrasifs : Bon Ami®, Ajax®, Comet®.</li><li>• Produits nettoyants liquides : Bar Keeper's Friends®, Soft Scrub®.</li><li>• Nettoyant doux liquide de Bar Keeper's Friend®.</li><li>• Remonter. Assurez-vous que le chapeau est bien appuyé sur sa base.</li></ul>	<ul style="list-style-type: none"><li>• Les éclaboussures d'aliments acides et très sucrés détériorent l'émail vitrifié.</li><li>• Nettoyez immédiatement les salissures dès que l'appareil a assez refroidi pour y toucher.</li><li>• N'utilisez pas d'éponge ou de serviette mouillée sur de la porcelaine chaude.</li><li>• N'immergez pas les chapeaux de brûleur.</li><li>• Utilisez toujours une pression minimale avec des produits nettoyants abrasifs.</li><li>• Séchez soigneusement après le nettoyage.</li></ul>

Pièces/matériel de la table de cuisson	Produits nettoyants suggérés	Rappels importants
Boutons de commandes et manettes	<ul style="list-style-type: none"> <li>• Détergent et eau chaude ; rincez et séchez soigneusement.</li> <li>• Pour retirer les boutons, tirez vers l'extérieur.</li> </ul>	<ul style="list-style-type: none"> <li>• Ne faites pas tremper les boutons.</li> <li>• N'utilisez pas de produits nettoyants abrasifs ou de tampons à récurer comme Bon Ami®, Ajax® ou Comet®. Ils peuvent endommager le fini de façon permanente ou enlever les dessins.</li> </ul>
Finition extérieur/Acier inoxydable	<ul style="list-style-type: none"> <li>• Produits nettoyants non abrasifs : eau chaude et détergent, Fantastic®, Formula 409®. Rincez et séchez immédiatement.</li> <li>• Conditionneur pour acier inoxydable Bosch (Numéro de commande : 00576696)</li> <li>• Agent polissant : Stainless Steel Magic® pour protéger le fini des taches et de la corrosion; améliore l'apparence.</li> <li>• Taches de calcaire : vinaigre blanc domestique.</li> <li>• Produits nettoyants légèrement abrasifs : Bon Ami®.</li> <li>• Oxydation due à la chaleur : Bar Keepers Friend®</li> </ul>	<ul style="list-style-type: none"> <li>• N'utilisez pas de tampons de laine d'acier. Ils égratigneront la surface.</li> <li>• L'acier inoxydable résiste à la plupart des taches alimentaires et aux marques de corrosion pourvu que la surface soit propre et protégée.</li> <li>• Ne laissez jamais de taches alimentaires ou du sel sur de l'acier inoxydable, peu importe la durée de temps.</li> <li>• Frottez délicatement dans le sens du grain.</li> <li>• Le chlore ou les composés chlorés contenus dans certains produits nettoyants peuvent oxyder l'acier inoxydable. Vérifiez les ingrédients sur l'étiquette avant d'utiliser le produit.</li> </ul>
Grilles et grille de pont / émail vitrifié sur fonte	<ul style="list-style-type: none"> <li>• Produits nettoyants non abrasifs : eau chaude et détergent, Fantastic®, Formula 409®. Rincez et séchez immédiatement.</li> <li>• Produits nettoyants légèrement abrasifs : Bon Ami® et Soft Scrub®.</li> <li>• Produits nettoyants pour taches tenaces : tampons métalliques savonneux.</li> <li>• Vous pourriez aussi nettoyer les grilles de brûleurs dans le lave-vaisselle. Enlevez tous les aliments brûlés avant de déposer les grilles de brûleurs dans le lave-vaisselle. Placez-les dans le panier inférieur du lave-vaisselle et utilisez le détergent à lave-vaisselle recommandé par le fabricant.</li> </ul>	<ul style="list-style-type: none"> <li>• Les grilles sont lourdes ; utilisez-les avec prudence. Déposez sur une surface protégée pour les nettoyer.</li> <li>• Les boursouffures, les fendillements et les éclats sont courants en raison des températures extrêmes sur les pattes des grilles et des changements rapides de températures.</li> <li>• Les éclaboussures d'aliments acides et très sucrés détériorent l'émail. Nettoyez immédiatement les salissures dès que l'appareil a assez refroidi pour y toucher.</li> <li>• Un produit nettoyant abrasif utilisé trop vigoureusement ou souvent peut éventuellement marquer l'émail.</li> <li>• Ne nettoyez pas la grille dans un four autonettoyant.</li> </ul>
Allumeurs/céramique	<ul style="list-style-type: none"> <li>• Essuyez délicatement avec un coton-tige trempé dans l'eau ou le Formula 409®.</li> <li>• Retirez délicatement les salissures à l'aide d'un cure-dent.</li> </ul>	<ul style="list-style-type: none"> <li>• Évitez les excès d'eau sur l'allumeur. Un allumeur humide empêchera le brûleur de s'allumer.</li> <li>• Enlevez les éventuelles peluches pouvant subsister après le nettoyage.</li> </ul>

## Salissures brûlées

Pour les salissures tenaces et brûlées, vous pouvez vous procurer un gel nettoyant dans notre boutique en ligne, auprès de votre revendeur ou de notre service après-vente (référence 00311859). Il convient aux supports de casserole et la surface de cuisson en inox. Si nécessaire, laissez agir sur les salissures pendant la nuit. Respectez les consignes indiquées sur le nettoyant.

## AVIS : DOMMAGES SUR LA SURFACE -

Ne pas utiliser le gel nettoyant sur les parties des brûleurs.

# Service après-vente

Contactez notre service à la clientèle si votre appareil doit être réparé. Notre service à la clientèle de (voir ci-dessous) se fera un plaisir de vous fournir des détails sur la façon d'obtenir un service réparation.

## Dépannage

Avant de contacter le Service Après-Vente, veuillez songer à suivre les suggestions et les instructions ci-dessous :

Problème	Suggestion
Les brûleurs ne s'allument pas/les allumeurs ne produisent pas d'étincelles	<ul style="list-style-type: none"><li>Assurez-vous que la soupape d'arrêt du gaz est en position « marche » (ON) et que l'alimentation en gaz de la maison n'est pas coupée.</li><li>Veillez à ce que les chapeaux, les bases et les orifices du brûleur ne soient pas obstrués. Dégagez les ports avec un fil ou un trombone déplié s'ils sont bouchés.</li><li>Assurez-vous que les allumeurs sont propres et secs.</li><li>Vérifiez l'alimentation électrique. Elle doit être correctement mis à la terre avec la bonne polarité. Assurez-vous que l'unité est entièrement branchée sur la prise et que le disjoncteur n'est pas déclenché.</li></ul>
La flamme du brûleur s'éteint de façon inattendue	Assurez-vous qu'il n'y a pas de courant d'air dans la pièce.
Les allumeurs s'allument même si les boutons sont en position d'arrêt	Lorsque la connexion électrique a été activée à la première mise sous tension ou rebranchée après une panne, les allumeurs peuvent produire une ou deux étincelles, même si tous les boutons du brûleur sont à la position arrêt (OFF).
Les résultats de cuisson ne sont pas ceux escomptés	<ul style="list-style-type: none"><li>Vérifiez le niveau du brûleur de la plaque de cuisson pendant l'installation.</li><li>La poêle ne s'adapte pas à la surface utilisée.</li><li>L'ustensile de cuisson n'est pas du type ou de la taille recommandée. Voir « Notes concernant les ustensiles de cuisson » et « Poêles et plats de cuisson ».</li></ul>

## Comment bénéficier du service de garantie

Pour obtenir un service sous garantie pour votre produit, contactez le département de service après-vente de Bosch au 1-800-944-2904 pour planifier une réparation.

### Numéro de modèle (E) et numéro FD

Quand vous communiquez avec le service, veuillez avoir à portée de main le numéro de modèle (E) et le numéro FD de l'appareil électroménager.

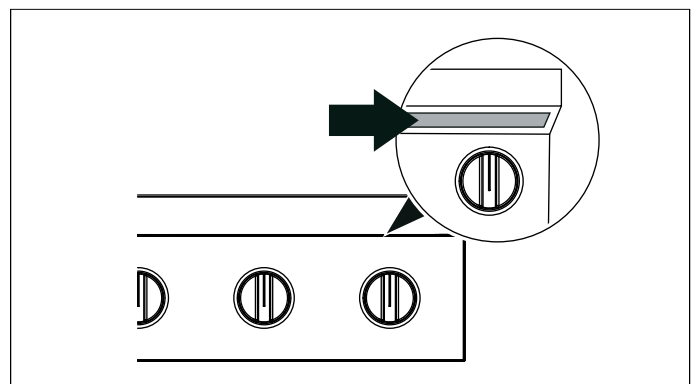
Vous trouverez ces informations sur la plaque signalétique

- sur la face arrière de l'appareil
- sur le dessous du panneau de contrôle de projection

## ⚠ ATTENTION

Les réparations devraient être effectuées uniquement par un réparateur autorisé.

Des réparations inappropriées sur votre appareil peuvent mener à des risques de blessures graves ou de décès.



Questions ? N'hésitez pas à nous contacter. Nous sommes à votre entière disposition.

800-944-2904

[www.bosch-home.ca/fr/](http://www.bosch-home.ca/fr/)

1901 Main Street, Suite 600  
Irvine, CA 92614

# ÉNONCÉ DE LA GARANTIE LIMITÉE

## Couverture de la garantie limitée

La garantie limitée fournie par BSH Home Appliances (« Bosch ») dans cet énoncé de garantie limitée s'applique seulement à l'appareil Bosch qui vous a été vendu (« Produit »), pour autant que le produit ait été acheté :

- Pour une utilisation normale résidentielle (non-commerciale), et qu'il a été utilisé en tout temps pour un usage domestique normal.
- Neuf au détail auprès d'un revendeur agréé BSH ou directement auprès de BSH (pas un présentoir, « tel quel », ou un modèle précédemment retourné), et non destiné à la revente ou à un usage commercial.
- Aux États-Unis ou au Canada et qu'il est demeuré en tout temps dans son pays d'achat.

Les garanties aux présentes s'appliquent à l'acheteur original du produit sous garantie et à tout propriétaire successif du produit acheté pour une utilisation résidentielle habituelle et la durée de la garantie.

Assurez-vous d'enregistrer votre produit ; bien qu'il ne soit pas nécessaire pour appliquer la garantie, c'est le meilleur moyen pour Bosch de vous informer dans le cas peu probable d'un avis de sécurité ou d'un rappel de produit.

## Durée de la garantie

Bosch garantit que le produit est exempt de défauts de matériaux et de fabrication pendant une période de trois cent soixante-cinq (365) jours à compter de la date de livraison initiale. La période susmentionnée commence à partir de la date de livraison et ne doit pas être retenue, retardée, prolongée, ou interrompue pour une raison quelconque. Ce produit est également garanti exempt de défauts cosmétiques de matériaux et de fabrication (tels que des rayures sur l'acier inoxydable, des taches de peinture/porcelaine, des éclats, des bosses ou d'autres dommages à la finition) du produit, pendant une période de trente (30) jours à compter de la date de livraison ou de la date de clôture pour les nouvelles constructions. La présente garantie cosmétique exclut les variations légères de couleur causées par les différences inhérentes entre les sections peintes et les sections en porcelaine, de même que les différences causées par l'éclairage de la cuisine, l'emplacement du produit et autres facteurs similaires. La présente garantie cosmétique exclut spécifiquement tous les appareils en montre, de plancher, « tel quel » et remis à neuf.

## Réparation ou remplacement : votre recours exclusif

Pendant cette période de garantie, Bosch ou l'un de ses centres de réparations autorisés réparera gratuitement votre produit (sous réserve de certaines restrictions aux présentes) si celui-ci présente des défauts de matériels ou de fabrication. Si des tentatives raisonnables pour réparer le produit sont vaines, alors Bosch remplacera le produit

(un modèle supérieur peut être offert, à la seule discrétion de Bosch, moyennant des frais supplémentaires). Rien dans cette garantie n'exige que les pièces endommagées ou défectueuses soient remplacées par des pièces d'un type ou d'une conception différent de la pièce d'origine. Toutes les pièces ou les composants enlevés demeurent la seule propriété de Bosch. Toute pièce remplacée ou réparée doit être identique à la pièce d'origine aux fins de la présente garantie et la garantie ne sera pas prolongée en regard de telles pièces. La seule responsabilité de Bosch est de faire réparer le produit défectueux uniquement par un centre de réparation autorisé pendant les heures de travail normales. Pour des raisons de sécurité et de dommages matériels, Bosch vous recommande fortement de ne pas essayer de réparer le produit vous-même ou de faire appel à un prestataire de services non agréé ; Bosch décline toute responsabilité en cas de dommages résultant de réparations ou de travaux effectués par un prestataire de services non agréé. Les centres de réparation autorisés sont les personnes ou les entreprises qui ont été spécialement formées sur les produits Bosch et qui possèdent, selon l'opinion de Bosch, une réputation supérieure pour le service après-vente et la capacité technique (il est à noter qu'elles sont des entités indépendantes et non des agents, partenaires, affiliés ou représentants de Bosch). Néanmoins, le fait de confier l'entretien de votre produit à un atelier de réparation non affilié ou à un revendeur agréé Bosch n'annulera pas cette garantie. De plus, l'utilisation de pièces tierces n'annulera pas cette garantie. Nonobstant ce qui précède, Bosch ne sera pas tenue responsable d'aucune façon si le produit est situé dans une région éloignée (supérieure à 100 miles d'un centre de réparation autorisé) ou n'est pas accessible de façon raisonnable, dans un environnement ou un local dangereux, menaçant ou périlleux; dans une telle éventualité, à la demande du consommateur, Bosch pourrait encore payer les frais de main-d'œuvre et de pièces et expédier les pièces au centre de réparation autorisé le plus près, mais le consommateur serait entièrement responsable pour tous les frais de déplacement et autres frais spéciaux encourus par le centre de réparation, en autant qu'il accepte la demande de réparation. En outre, dans la mesure où vous avez installé le produit dans un endroit difficile d'accès ou si vous avez installé des installations temporaires ou permanentes qui créent des obstacles à l'accès ou au retrait du produit, Bosch n'encourra aucune responsabilité ou n'aura aucune responsabilité pour les travaux ou les coûts associés au déplacement du Produit ou à la création d'un accès au Produit afin de le réparer ou de le remplacer. Tous ces frais seront à votre charge exclusive.

## Produit hors garantie

Bosch n'a aucune obligation, aux termes de la loi ou autrement, d'offrir toute concession, incluant réparation, prorata ou remplacement de produit une fois la garantie expirée.

## Exclusions de garantie

La couverture de garantie décrite dans les présentes exclut tous les défauts ou dommages pour lesquels Bosch serait directement imputable, y compris, sans s'y limiter, l'un ou plusieurs des cas suivants :

- Utilisation du produit autre qu'un usage normal, habituel et de la façon destinée (incluant, sans s'y limiter, toute forme d'utilisation commerciale, d'utilisation ou de rangement d'un produit pour l'intérieur à l'extérieur, d'utilisation du produit de concert avec un transporteur aérien ou marin).
- Mauvaise conduite de toute partie, négligence, mauvaise utilisation, abus, accidents, fonctionnement inadéquat, mauvais entretien, installation inadéquate ou négligente, altération, manquement d'observer les instructions de fonctionnement, mauvaise manipulation, service non autorisé (incluant réparation par le consommateur ou exploration du fonctionnement interne du produit).
- Réglage, modification ou altération de tout type.
- Non conformité aux normes fédérales, provinciales, municipales ou électriques en vigueur au pays, aux codes de plomberie ou du bâtiment, aux réglementations ou aux lois, incluant le non respect d'installer le produit en stricte conformité avec les codes et les réglementations du bâtiment et d'incendie locaux.
- Bris et usure normaux, déversements d'aliments ou de liquides, accumulations de graisse ou d'autres substances dans, sur ou autour du Produit.
- Toute force ou tout facteur externe, élémentaire et / ou environnemental, incluant sans limitation, la pluie, le vent, le sable, les inondations, les incendies, les coulées de boue, le gel, l'humidité excessive ou l'exposition prolongée à l'humidité, la foudre, les surtensions, les problèmes de structure autour de l'appareil et les désastres naturels.
- Demandes de service visant à corriger l'installation de votre Produit, à obtenir des conseils à propos de son utilisation, à remplacer les fusibles de votre maison ou à réparer l'installation électrique ou la plomberie de votre foyer.
- Retrait et remplacement de la garniture ou des panneaux de décoration qui entravent l'entretien du produit.
- Dommages ou défauts résultant de la main-d'œuvre ou de pièces installées par un centre de réparation non autorisé, à moins d'être approuvé par Bosch avant de procéder à sa réparation. En aucun cas, Bosch ne sera tenue responsable de dommages survenus à la propriété environnantes, incluant les armoires, les planchers, les plafonds et les autres objets ou structures situés autour du produit. Également exclus de la garantie sont les Produits dont les numéros de série ont été modifiés, effacés ou enlevés; les demandes de réparations pour enseigner le fonctionnement du Produit ou les visites où il n'y a aucun problème avec le produit; la correction de problèmes d'installation (le consommateur est seul responsable pour toute structure et tout réglage du Produit, incluant l'électricité, la plomberie et les autres raccordements nécessaires, pour une fondation / plancher approprié[e], et pour toute modification

incluant, sans limitation, armoires, murs, planchers, tablettes, etc.) et le réenclenchement de disjoncteurs ou le remplacement de fusibles.

DANS LA MESURE AUTORISÉE PAR LOI, LA PRÉSENTE GARANTIE PRÉCISE LES RECOURS EXCLUSIFS DONT VOUS DISPOSEZ À L'ÉGARD DU PRODUIT, QUE LA DEMANDE SOIT FONDÉE SUR UN CONTRAT OU DÉLIT (Y COMPRIS RESPONSABILITÉ ABSOLUE OU NÉGLIGENCE) OU AUTRE. LA PRÉSENTE GARANTIE REMPLACE TOUTES LES AUTRES GARANTIES, EXPRESSES OU IMPLICITES. TOUTES GARANTIES IMPLICITES AUX TERMES DE LA LOI, QUE SE SOIT LES GARANTIES DE QUALITÉ MARCHANDE OU D'APTITUDE À UN USAGE PARTICULIER, OU AUTRES, SONT LIMITÉES DANS LE TEMPS À LA DURÉE DE CETTE GARANTIE LIMITÉE EXPRESSE. LE FABRICANT NE SERA EN AUCUN CAS RESPONSABLE DE DOMMAGES CONSÉCUTIFS, SPÉCIAUX, ACCESSOIRES, INDIRECTS OU DE « PERTES COMMERCIALES » ET / OU DE DOMMAGES PUNITIFS, DE PERTES OU DE DÉPENSES, Y COMPRIS SANS S'Y LIMITER, ABSENCE DU TRAVAIL, FRAIS D'HÔTEL ET / OU FRAIS DE RESTAURANT, FRAIS DE REMANIEMENT EN EXCÉDENT DES DOMMAGES DIRECTS QUI SONT DÉFINITIVEMENT CAUSÉS EXCLUSIVEMENT PAR BOSCH, OU AUTREMENT. CERTAINS ÉTATS N'AUTORISENT PAS L'EXCLUSION OU LA LIMITATION DE DOMMAGES ACCESSOIRES OU CONSÉCUTIFS, ET CERTAINS ÉTATS N'AUTORISENT PAS LA LIMITATION DE LA DURÉE DES GARANTIES IMPLICITES. PAR CONSÉQUENT, LES EXCLUSIONS OU LES LIMITES SUSMENTIONNÉES POURRAIENT NE PAS VOUS CONCERNER. LA PRÉSENTE GARANTIE VOUS DONNE DES DROITS PRÉCIS RECONNUS PAR LA LOI ET VOUS POUVEZ ÉGALEMENT AVOIR D'AUTRES DROITS QUI VARIENT D'UN ÉTAT À L'AUTRE.

Aucune tentative de modifier, changer ou amender la présente garantie ne peut être valide sans le consentement écrit autorisé par un dirigeant de BSH.

## Obtention du service de garantie

Pour obtenir le service de garantie de votre produit, vous devez contacter le service client Bosch au 1-800-944-2904 pour planifier une réparation.

## Information sur le produit

Pour référence pratique, copiez l'information ci-après de la plaque signalétique. Conservez votre facture et/ou vos documents de livraison pour la validation de la garantie.

---

Numéro de modèle (E-Nr.)

---

Numéro de fabrication (FD)

---

Date de livraison

---





**9001485940**

021024



**BOSCH**

Invented for life

1901 Main Street, Suite 600 • Irvine, CA 92614 • 800-944-2904  
[www.bosch-home.com](http://www.bosch-home.com) • © 2022 BSH Home Appliances