



Slow Cooker

INSTRUCTIONS

Pour Mijoteuse

INSTRUCTIONS

Cocimiento Lento

INSTRUCCIONES



FOR THE WAY IT'S MADE.®

Welcome to the world of KitchenAid®

We're committed to helping you create a lifetime of delicious meals for family and friends. To help ensure the longevity and performance of your appliance, keep this guide handy. It will empower you with the best way to use and care for your product. Your satisfaction is our #1 goal. Remember to register your product online at www.kitchenaid.com, or by using the attached Product Registration Card.



USA: 1.800.541.6390
Canada: 1.800.807.6777
KitchenAid.com
KitchenAid.ca



Table of Contents

SLOW COOKER SAFETY

Important Safeguards.....	4
Electrical Requirements.....	5

FEATURES AND OPERATION

Slow Cooker Parts and Features.....	6
Preparing the Slow Cooker	8
Operating the Slow Cooker.....	9
Slow Cooker Setting Guidelines.....	10
Slow Cooking Tips.....	11

CARE AND CLEANING

Care and Cleaning	12
Troubleshooting	13

WARRANTY AND SERVICE INFORMATION

KitchenAid® Slow Cooker Warranty.....	14
---------------------------------------	----

PROOF OF PURCHASE & PRODUCT REGISTRATION

Always keep a copy of the sales receipt showing the date of purchase of your Slow Cooker. Proof of purchase will assure you of in-warranty service. Before you use your Slow Cooker, please fill out and mail your product registration card packed with the unit. This card will enable us to contact you in the unlikely event of a product safety notification and assist us in complying with the provisions of the Consumer Product Safety Act. This card does not verify your warranty. Please complete the following for your personal records:

Model Number _____

Serial Number _____

Date Purchased _____

Store Name _____

Your safety and the safety of others are very important.

We have provided many important safety messages in this manual and on your appliance. Always read and obey all safety messages.



This is the safety alert symbol.

This symbol alerts you to potential hazards that can kill or hurt you and others.

All safety messages will follow the safety alert symbol and either the word "DANGER" or "WARNING." These words mean:

 **DANGER**

You can be killed or seriously injured if you don't immediately follow instructions.

 **WARNING**

You can be killed or seriously injured if you don't follow instructions.

All safety messages will tell you what the potential hazard is, tell you how to reduce the chance of injury, and tell you what can happen if the instructions are not followed.

IMPORTANT SAFEGUARDS

When using electrical appliances, basic safety precautions should always be followed to reduce the risk of fire, electric shock, and/or injury to persons including the following:

1. Read all instructions.
2. Do not touch hot surfaces. Use handles or knobs.
3. To avoid electrical shock do not immerse cord, plugs, or the slow cooker base in water or other liquid.
4. Close supervision is necessary when any appliance is used by or near children.
5. Unplug from outlet when not in use and before cleaning. Allow to cool before putting on or taking off parts.
6. Do not operate any appliance with a damaged cord or plug or after the appliance malfunctions or has been damaged in any manner. Return appliance to the nearest Authorized Service Facility for examination, repair, or adjustment.
7. The use of accessory attachments not recommended by KitchenAid® may cause injuries.
8. Do not use outdoors.
9. Do not let cord hang over edge of table or counter, or touch hot surfaces.
10. Do not place on or near a hot gas or electric burner, or in a heated oven.
11. Extreme caution must be used when moving an appliance containing hot oil or other hot liquids.
12. Do not use appliance for other than intended use.
13. This product is designed for household use only.
14. To disconnect, turn any control to "OFF," then remove plug from wall outlet.

SAVE THESE INSTRUCTIONS

Electrical Requirements

⚠ WARNING



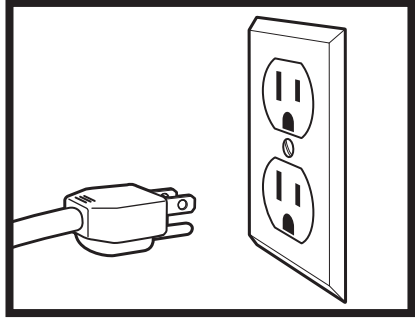
Electrical Shock Hazard

Plug into a grounded 3 prong outlet.

Do not remove ground prong.

Do not use an adapter.

Failure to follow these instructions can result in death, fire, or electrical shock.



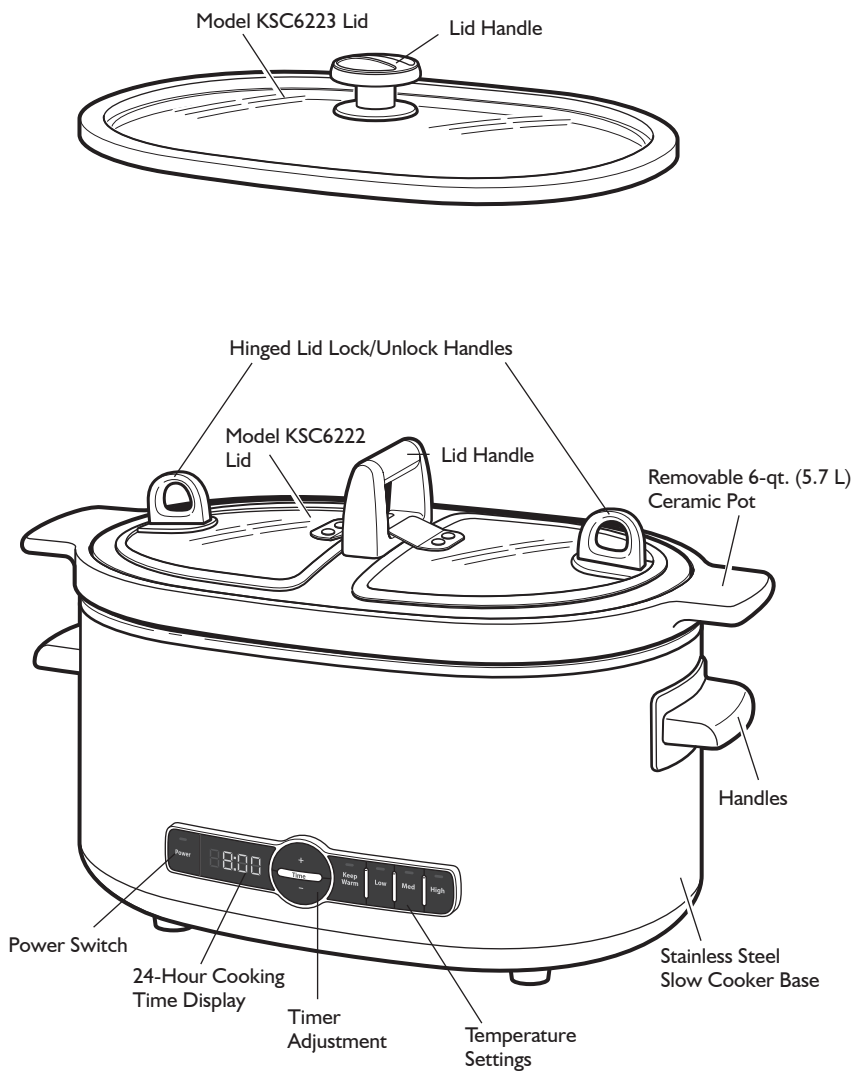
Volts: 120 V.A.C.
Hertz: 60 Hz

NOTE: This slow cooker has a 3 prong grounded plug. To reduce the risk of electrical shock, this plug will fit in an outlet only one way. If the plug does not fit in the outlet, contact a qualified electrician. Do not modify the plug in any way.

If a longer extension cord is used:

- The marked electrical rating of the extension cord should be at least as great as the electrical rating of the appliance.
- The extension cord should be a grounding-type 3-wire cord.
- The cord should be arranged so it will not drape over the countertop or tabletop where it can be pulled on by children or tripped over.

Parts and Features



Parts and Features

24-Hour Cooking Time Display

Large easy-to-read display shows two modes. If the Slow Cooker is turned on, the display will read "On" and will run for 24 hours before automatically turning off. The second mode is programmed – the display will count down from the programmed time. It can be programmed for up to 24:00 hours. In addition, once the program runs through the programmed time, it will automatically default to Keep Warm for 4:00 hours. When this happens, the display will count up from 0:00 to 4:00 hours before automatically shutting off.

Removable 6-qt. (5.7 L) Ceramic Pot

Dishwasher-safe pot makes an attractive serving dish at the dinner table. While the ceramic pot is not recommended for oven use, it is oven safe up to 300°F/140°C, and may be used to keep cooked food warm up to an hour.

The ceramic pot should also not be used in the microwave or on the stove top.

NOTE: Pouring may be difficult if pot is full or nearly full, so it is recommended that you ladle the contents out of the pot.

Glass Lid (Model KSC6223)

Glass lid helps with viewing while food is cooking.

Hinged Lid (Model KSC6222)

Innovative hinged lid design allows easy serving options with less heat loss. Large twisting handles on both hinged panels ensure easy one-handed operation for locking and unlocking.

NOTE: Lids are not oven safe.

Lid Handle

The lid handle is large for easy lifting, plus the material and design help reduce heat transfer from the lid.

Handles

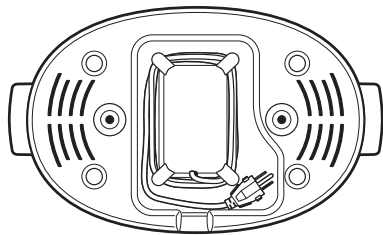
The exterior base side handles are large, so the 6-qt. slow cooker can be lifted easily, even with oven mitts.

Stainless Slow Cooker Base

Provides stable and easy to clean support for the ceramic pot. The sides of the slow cooker base may get very warm during operation. Always use handles on base when moving Slow Cooker. Use oven mitts to remove the ceramic pot.

Integrated Cord Storage

The power cord, which includes a 3 prong grounded plug, stores neatly on the bottom of the slow cooker base.



Before First Use

Before using your slow cooker for the first time, wipe the metal base and cord with a clean, damp cloth. Wash the ceramic pot and glass lid in hot soapy water, then rinse and dry. The ceramic pot and glass lid can also be washed in the dishwasher.

Slow Cooker Assembly

1. Place the ceramic pot in the metal base. Do not cook anything in the metal base without the ceramic pot in place. Avoid sudden temperature changes such as adding refrigerated foods into heated pot. The ceramic pot must be placed in the metal base, and food placed in the ceramic pot for cooking.
2. For best cooking results always operate your Slow Cooker with the lid on.

! WARNING



Electrical Shock Hazard

Plug into a grounded 3 prong outlet.

Do not remove ground prong.

Do not use an adapter.

Failure to follow these instructions can result in death, fire, or electrical shock.

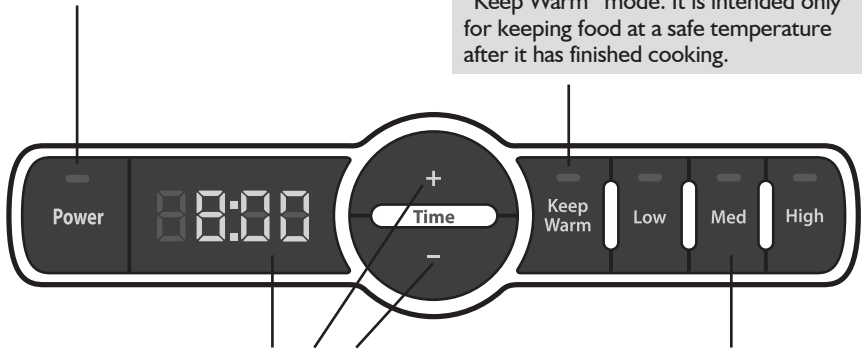
3. Plug into a grounded 3 prong outlet. Slow Cooker is now ready for operation.

Operating Your Slow Cooker

Once the Slow Cooker has been plugged in, pressing “POWER” will illuminate both the LED display for the timer and the “Power” indicator.

When the “Keep Warm” mode is selected the timer will display “On”.

NOTE: Do not attempt to cook in “Keep Warm” mode. It is intended only for keeping food at a safe temperature after it has finished cooking.



The timer allows you to program a specific cooking time up to 24 hours. By pressing “+” the time will increase by 30 minutes. By pressing “-” the time will decrease by 30 minutes. The time set will be displayed and counted down to zero.

Temperature control featuring three heat levels for perfect results.

NOTE: “On” will be displayed when a temperature is selected without entering a cook time on the timer. The Slow Cooker will operate for up to 24 hours, if uninterrupted; and then automatically shut off.

Getting Started

1. Plug in Slow Cooker (ensure ceramic pot is in Slow Cooker base).
2. Push “POWER” button.
3. Select Temperature.
4. If programming is desired use the “+ or -” buttons select desired cooking time (using the timer is optional and not required for Slow Cooker operation).
5. Make sure lid is on ceramic pot.

Slow Cooker Setting Guidelines

The multiple Slow Cooker settings allows the kind of cooking, or serving, that lets you prepare a variety of foods on different settings, so you can adapt your recipes to your changing schedule.

In general, use lower settings for longer cook times. Try a higher setting when you start food preparation later in the day and want to serve the food that same evening.

“High” – Try using this setting when a shorter cooking time is desired or for recipes that are typically baked.

Applesauce	Dumplings	Roasted meats
Beans and rice	Egg-based strata	Steamed potatoes
Broth-based soup	Gingerbread	Wild rice casserole
Chicken/turkey pieces	Hot beverages	
Cobbler/fruit dessert	Pudding/steamed cake	

“Medium” – Appropriate for most recipes when there is time for long, slow cooking. It’s an ideal setting for food started before going to work in the morning and served for dinner in the evening.

Baked potatoes	Casserole	Pork ribs
Beef chuck roast	Chicken wings	Potato casserole
Beef roast	Chicken/turkey pieces	Puddings
Beef rolls	Cornish hens	Rice pudding
Beef short ribs	Dressing/stuffing	Split pea soup
Cheese	Dried beans/lentils	Stew
Cheese or cream based soup	Egg bake	Stewed chicken
Chicken or turkey	Poached pears	Wild rice casserole
	Pork chops	

“Low” – Good for slow cooking recipes or less tender cuts of meats that require longer cooking times to develop full flavor.

Baked egg based puddings	Chicken/turkey pieces	Pork roast
Beef roast	Dressing/stuffing	Soups with less tender cuts of meat
Beef rolls	Dried beans/lentils	Split pea soup
Beef short ribs	Hard squashes	Stew
Cheese or cream based soup	Lamb shanks	Stewed chicken
Chicken wings	Pork chops	
	Pork ribs	

Slow Cooking Tips

Over the past few decades, as schedules have become more hectic and lifestyles more fast-paced, more and more people have turned to slow cookers to help them get a better handle on their time.

This KitchenAid® Slow Cooker offers refinements in control that help the cooker be a more useful tool and power to add responsiveness and peace of mind.

Sure and Steady Cooking

A Slow Cooker is designed for you to put food into it, walk away from it without a worry, and return to a well-cooked meal. So it's important to let it do its job. That means you should always cook with the ceramic pot and glass lid in place, because removing the lid reduces the temperature inside the slow cooker and increases cooking time.

Except where a Slow Cooker recipe specifically directs you to remove the lid, do not remove or lift the lid until the minimum suggested recipe-cooking time has elapsed. If you want to view the food you're cooking, tap the glass lid to remove the condensation that has collected, and look through the lid.

Start With Food at the Right Temperature

Common sense is a good guide to knowing the right temperature for food when you start cooking in a Slow Cooker. Foods typically stored in the refrigerator should be added at their refrigerated temperature. Frozen food, on the other hand, should be thawed. And if you need to sear meat or poultry, do that just before adding it to the Slow Cooker – do not partially cook meat or poultry and then refrigerate before using.

Avoid adding liquids colder than normal refrigerated temperatures. Adding near-freezing liquids to a warm or hot pot may cause the pot to crack.

A Slow Cooker is a Moist Environment

Slow Cookers use a food's own moisture to cook the food. With the lid kept on while cooking, very little moisture evaporates and natural juices from the food accumulate. For that reason, use less liquid when using your favorite traditional recipes for slow cooking.

Enhancing Texture and Flavor

The amount of seasonings, types of ingredients, and when you add ingredients can improve the texture and flavor of your slow-cooked meals.

As a general rule for using your favorite recipes in the slow cooker, increase the amounts of herbs and seasonings to offset the effect of longer cooking times.

Add garnishes, fresh herbs, and quick-cooking vegetables toward the end of the cooking cycle. For example, you can add peas, corn and freshly sliced squash in the last 10 to 20 minutes.

Also consider the differences between related ingredients when cooking for extended times. Dark meat poultry will retain moisture better than white meat in recipes cooked more than 7 to 9 hours. Whole-grain rice, such as brown or wild rice, retains its texture better than white rice when it's slow cooked. Over extended periods, white rice can overcook and become mushy.

When cooking soups and stews, leave a 2-inch (5 cm) space between the top of the ceramic pot and the food so the recipe can come to a simmer without spilling over.

Do not use frozen, uncooked meat in the slow cooker. Always thaw meats prior to slow cooking.

Some foods are not suited for extended cooking. Pasta, seafood, milk, cream or sour cream should be added 2 hours before serving.

If cooking a vegetable-type casserole, there will need to be a liquid in the recipe to prevent scorching on the sides of the ceramic pot.

Cut Food to Proper Size

The size you cut food into can affect its taste and texture. To assure uniformity of cooking, cut vegetables of similar density, such as potatoes, carrots, and parsnips into similar-sized pieces. In general, dense vegetables should be slightly smaller than more tender vegetables.

Cutting meats into large pieces allows longer cooking times and avoids overcooking.

Care and Cleaning

1. Check that the slow cooker is switched off and unplugged before cleaning.
2. Allow the slow cooker to cool completely before cleaning.

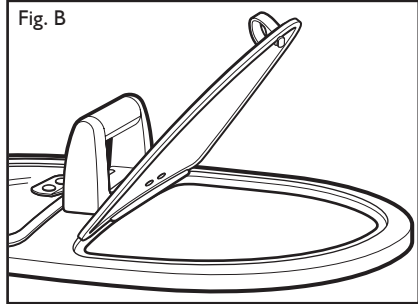
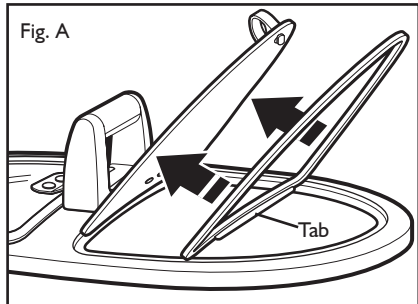
NOTE: Do not immerse the metal base in water to clean any part of the slow cooker.

NOTE: Do not use abrasive cleaners or scouring pads.

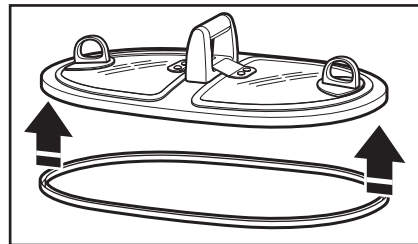
3. Wipe the metal base and cord with a clean damp cloth.
4. Wash the ceramic pot and glass lid in hot soapy water, then rinse and dry. The ceramic pot and glass lid can also be washed in the dishwasher.

NOTE: It is recommended that you remove the three seals from around the lid before washing the glass lid in the dishwasher. The seals are hand washable.

To replace the hinged lid seals, make sure that the tabbed edge is facing downward (see Fig. A), and slowly work the edges of the seal back onto the glass lid (see Fig. B).



To replace the seal around the edge of the full lid, slowly work the edges of the seal back onto the lid from one end to the other. This seal will fit tightly against both sides of the lip around the bottom of the lid, and will stretch to fit in place.



NOTE: When cooking very thick mixtures, such as polenta or many desserts, the ceramic pot may be lightly coated with no-stick cooking spray before cooking. This coating will help make cleanup easier after cooking.

Ceramic Pot Care

Here are a few simple tips to assure your slow cooker gives you years of service.

- This is a large-capacity slow cooker and it is recommended that you cook with at least 1 qt (1 L) of food in the ceramic pot.
- Do not store the ceramic pot in the refrigerator.
- If the ceramic pot has been inadvertently left in the refrigerator, do not immediately fill with hot or warm liquids. Wait until the pot is at room temperature.
- If assembling a recipe in advance of cooking, store ingredients in a covered, separate container.
- After each use, always follow the “Care and Cleaning” instructions.

- For best results, the ceramic pot should be at least half-filled. If less than half filled, check for appropriate temperature 1 to 2 hours earlier than recipe states.

To clean white residue from the ceramic pot

Small amounts of calcium in wash water may leave a white residue in the ceramic pot after it has been washed. To clean the residue, follow this procedure:

1. Pour a small amount of vinegar into the pot and dilute it with an equal amount of water.
2. Wipe the inside surfaces of the pot with a soft pad. Be sure to wipe the vinegar/water solution sufficiently over all the affected areas.
3. Empty the pot, rinse with water, and dry with a soft cloth or towel.

Troubleshooting

If your slow cooker should fail to operate, check the following:

- See if the slow cooker is plugged into a proper electrical outlet. If it is, unplug the slow cooker.

⚠ WARNING



Electrical Shock Hazard

Plug into a grounded 3 prong outlet.

Do not remove ground prong.

Do not use an adapter.

Failure to follow these instructions can result in death, fire, or electrical shock.

- If the slow cooker still does not work, check the household fuse or circuit breaker on the electrical circuit the slow cooker is connected to and make sure the circuit is closed.

If the problem cannot be corrected:

- Return appliance to the nearest Authorized Service Facility for examination, repair, or adjustment.

- Plug in slow cooker.

KitchenAid® Slow Cooker Warranty

Length of Warranty:	KitchenAid Will Pay For:	KitchenAid Will Not Pay For:
<p>50 United States, the District of Columbia, Canada, and Puerto Rico: One-year limited warranty from date of purchase.</p>	<p>50 United States, the District of Columbia and Canada: Hassle-free replacement of your slow cooker. See the following page for details on how to arrange for replacement.</p> <p>OR</p> <p>In Puerto Rico: The replacement parts and repair labor costs to correct defects in materials and workmanship. Service must be provided by an Authorized KitchenAid® Service Center. To arrange for service, see the following pages.</p>	<p>A. Repairs when slow cooker is used in other than normal single family home use.</p> <p>B. Damage resulting from accident, alteration, misuse or abuse or use with products not approved by KitchenAid®.</p> <p>C. Replacement parts or repair labor costs for slow cooker when operated outside the country of purchase.</p>

DISCLAIMER OF IMPLIED WARRANTIES; LIMITATION OF REMEDIES

IMPLIED WARRANTIES, INCLUDING TO THE EXTENT APPLICABLE WARRANTIES OF MERCHANTABILITY OR FITNESS FOR A PARTICULAR PURPOSE, ARE EXCLUDED TO THE EXTENT LEGALLY PERMISSIBLE. ANY IMPLIED WARRANTIES THAT MAY BE IMPOSED BY LAW ARE LIMITED TO ONE YEAR, OR THE SHORTEST PERIOD ALLOWED BY LAW. SOME STATES AND PROVINCES DO NOT ALLOW LIMITATIONS OR EXCLUSIONS ON HOW LONG AN IMPLIED WARRANTY OF MERCHANTABILITY OR FITNESS LASTS, SO THE ABOVE LIMITATIONS OR EXCLUSIONS MAY NOT APPLY TO YOU.

IF THIS PRODUCT FAILS TO WORK AS WARRANTED, CUSTOMER'S SOLE AND EXCLUSIVE REMEDY SHALL BE REPAIR OR REPLACEMENT ACCORDING TO THE TERMS OF THIS LIMITED WARRANTY. KITCHENAID® AND KITCHENAID® CANADA LP DO NOT ASSUME ANY RESPONSIBILITY FOR INCIDENTAL OR CONSEQUENTIAL DAMAGES. This warranty gives you specific legal rights and you may also have other rights which vary from state to state or province to province.

Hassle-Free Replacement Warranty - 50 United States and District of Columbia

We're so confident the quality of our products meets the exacting standards of KitchenAid that, if your slow cooker should fail within the first year of ownership, KitchenAid® will arrange to deliver an identical or comparable replacement to your door free of charge and arrange to have your original slow cooker returned to us. Your replacement unit will also be covered by our one year limited warranty. Please follow these instructions to receive this quality service.

If your KitchenAid® Slow Cooker should fail within the first year of ownership, simply call our toll-free Customer eXperience Center at 1-800-541-6390 Monday through Friday, 8 a.m. to 8 p.m. (Eastern Time), or Saturday, 10 a.m. to 5 p.m. Give the consultant your complete shipping address. (No P.O. Box numbers, please.)

When you receive your replacement slow cooker, use the carton and packing materials to pack up your original slow cooker. In the carton, include your name and address on a sheet of paper along with a copy of the proof of purchase (register receipt, credit card slip, etc.).

Hassle-Free Replacement Warranty - Canada

We're so confident the quality of our products meets the exacting standards of the KitchenAid® brand that, if your slow cooker should fail within the first year of ownership, KitchenAid® Canada will replace your slow cooker with an identical or comparable replacement. Your replacement unit will also be covered by our one year limited warranty. Please follow these instructions to receive this quality service.

If your KitchenAid® Slow Cooker should fail within the first year of ownership, take the slow cooker or ship collect to an Authorized KitchenAid® Service Centre. In the carton include your name and complete shipping address along with a copy of the proof of purchase (register receipt, credit card slip, etc.). Your replacement slow cooker will be returned prepaid and insured. If you are unable to obtain satisfactory service in this manner call our toll-free Customer eXperience Centre at 1-800-807-6777.

Or write to us at:

Customer eXperience Centre
Whirlpool Canada LP
Unit 200-6750 Century Ave
Mississauga, ON L5N 0B7

How To Arrange for Warranty Service in Puerto Rico

Your KitchenAid® Slow Cooker is covered by a one-year limited warranty from the date of purchase. KitchenAid® will pay for replacement parts and labor costs to correct defects in materials and workmanship. Service must be provided by an Authorized KitchenAid® Service Center.

Take the slow cooker or ship prepaid and insured to an Authorized KitchenAid® Service Center. Your repaired slow cooker will be returned prepaid and insured. If you are unable to obtain satisfactory service in this manner, call toll-free 1-800-541-6390 to learn the location of a Service Center near you.

Bienvenue dans le monde de KitchenAid®.

Nous nous engageons à vous aider à créer de délicieux repas pour votre famille et vos amis, et ce durant tout le cycle de vie de l'appareil. Pour contribuer à la longévité et à une bonne performance de votre appareil, conservez ce guide à portée de main. Il vous permettra d'utiliser et d'entretenir de votre produit de la meilleure manière qui soit. Votre satisfaction est notre objectif numéro 1. N'oubliez pas d'enregistrer votre produit en ligne sur www.kitchenaid.com ou à l'aide de la carte d'enregistrement du produit ci-jointe.



É.-U. : 1.800.541.6390
Canada : 1.800.807.6777

KitchenAid.com
KitchenAid.ca



Table des matières

SÉCURITÉ DE LA MIJOTEUSE

Consignes de la mijoteuse	18
Spécifications électriques.....	19

DISPOSITIFS ET EXÉCUTION

Guide des pièces et des caractéristiques.....	20
Préparation de la mijoteuse	22
Utilisation de la mijoteuse.....	23
Guide pour réglages de la mijoteuse.....	24
Conseils pour le mijotage.....	25

ENTRETIEN ET NETTOYAGE

Entretien et nettoyage	26
Dépannage.....	28

GARANTIE ET INFORMATION

Garantie de la mijoteuse KitchenAid®	29
--	----

PREUVE D'ACHAT ET ENREGISTREMENT DU PRODUIT

Toujours conserver une copie du ticket de caisse indiquant la date d'achat du hachoir. La preuve d'achat vous garantit le bénéfice du service après-vente. Avant d'utiliser le hachoir, remplir et envoyer la carte d'enregistrement du produit jointe avec l'appareil. Grâce à cette carte, nous pourrions vous contacter dans le cas peu probable d'un avis de sécurité concernant le produit ; ceci nous permettra également de nous conformer aux dispositions de la loi sur la sécurité des produits de consommation. Cette carte ne confirme pas votre garantie. Remplir ce qui suit pour vos dossiers personnels :

Numéro de modèle _____

Numéro d'identification _____

Date d'achat _____

Nom du magasin et emplacement _____

Votre sécurité et celle des autres est très importante.

Nous donnons de nombreux messages de sécurité importants dans ce manuel et sur votre appareil ménager. Assurez-vous de toujours lire tous les messages de sécurité et de vous y conformer.



Voici le symbole d'alerte de sécurité.

Ce symbole d'alerte de sécurité vous signale les dangers potentiels de décès et de blessures graves à vous et à d'autres.

Tous les messages de sécurité suivront le symbole d'alerte de sécurité et le mot "DANGER" ou "AVERTISSEMENT".

Ces mots signifient :

! DANGER

Risque possible de décès ou de blessure grave si vous ne suivez pas immédiatement les instructions.

! AVERTISSEMENT

Risque possible de décès ou de blessure grave si vous ne suivez pas les instructions.

Tous les messages de sécurité vous diront quel est le danger potentiel et vous disent comment réduire le risque de blessure et ce qui peut se produire en cas de non-respect des instructions.

CONSIGNES DE SÉCURITÉ IMPORTANTES

Afin de réduire le risque d'incendie, de choc électrique et/ou de blessures corporelles lors de l'utilisation d'appareils électriques, certaines précautions élémentaires de sécurité doivent être systématiquement respectées – notamment :

1. Lire toutes les instructions.
2. Ne pas toucher de surface chaude. Utiliser les poignées ou les boutons.
3. Afin d'éviter tout choc électrique, ne pas immerger le cordon, les prises ou la mijoteuse dans de l'eau ou dans tout autre liquide.
4. Une surveillance attentive s'impose lorsqu'un appareil ménager est utilisé par ou à proximité d'enfants.
5. Débrancher la prise lorsque l'appareil n'est pas utilisé et avant le nettoyage. Attendre que l'appareil ait refroidi avant d'installer ou de retirer des pièces.
6. Ne pas faire fonctionner un appareil dont le cordon ou la prise est endommagé(e), lorsque l'appareil ne fonctionne pas correctement ou lorsqu'il a été endommagé d'une quelconque façon. Retourner l'appareil au centre de service agréé le plus proche pour examen, réparation ou réglage.
7. L'utilisation d'accessoires non recommandés par KitchenAid peut causer des blessures.
8. Ne pas utiliser à l'extérieur.
9. Ne pas laisser le cordon pendre sur le côté d'une table ou d'un comptoir, ou toucher une surface chaude.
10. Ne pas placer sur ou près d'un brûleur électrique ou à gaz chaud, ou dans un four chaud.

CONSERVER CES INSTRUCTIONS

CONSIGNES DE SÉCURITÉ IMPORTANTES

1. Prendre d'extrêmes précautions lorsqu'on déplace un appareil ménager contenant de l'huile chaude ou d'autres liquides chauds.
12. Ne pas utiliser l'appareil pour un autre usage que celui pour lequel il est conçu.
13. Ce produit est conçu uniquement pour un usage domestique.
14. Pour la mise hors tension, tourner et placer toutes les commandes en position "OFF" puis débrancher la fiche de la prise murale.

CONSERVER CES INSTRUCTIONS

Spécifications électriques

⚠ AVERTISSEMENT



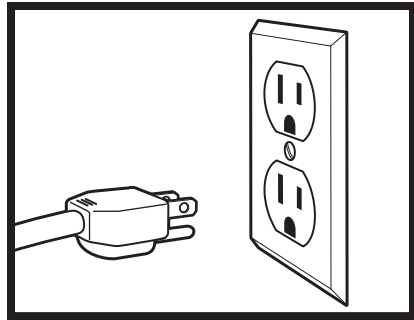
Risque de choc électrique

Brancher sur une prise à 3 alvéoles reliée à la terre.

Ne pas enlever la broche de liaison à la terre.

Ne pas utiliser un adaptateur.

Le non-respect de ces instructions peut causer un décès, un incendie ou un choc électrique.



Volts: 120 V.A.C.

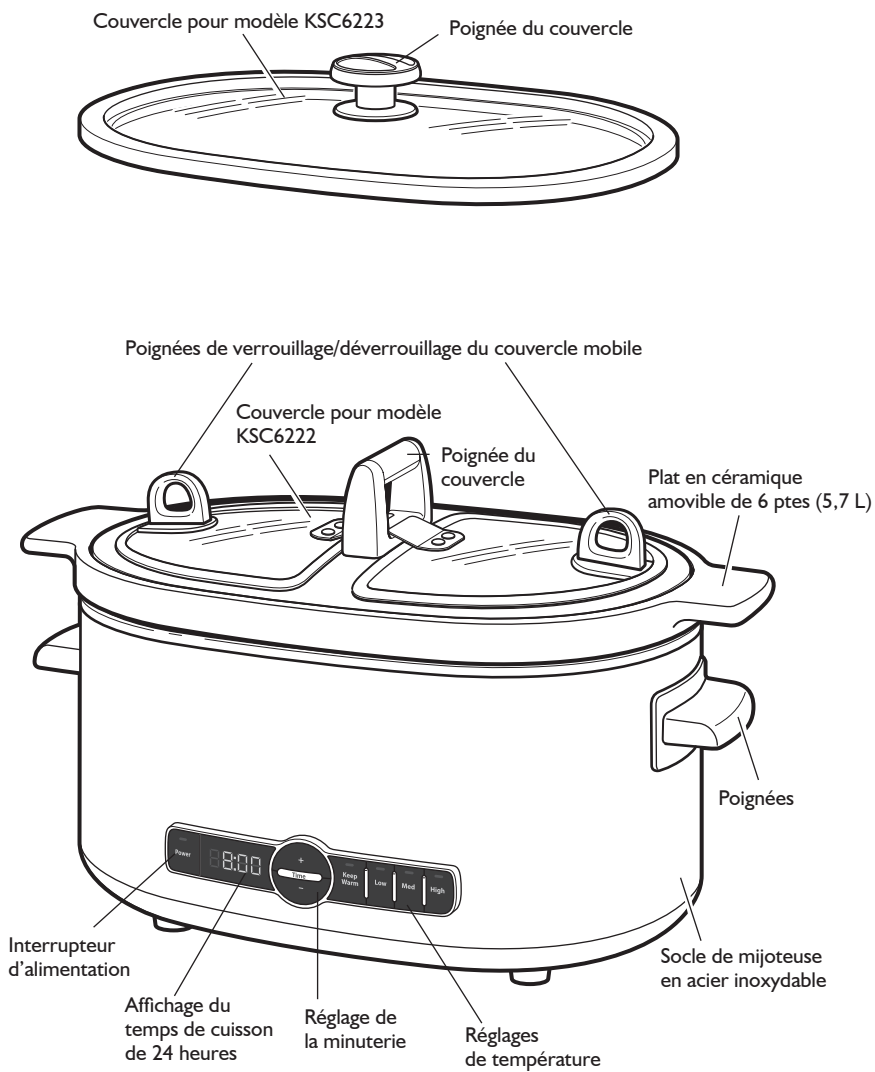
Hertz: 60 Hz

REMARQUE : Cette mijoteuse comporte une prise à 3 alvéoles reliée à la terre. Pour réduire le risque de choc électrique, cette fiche ne peut être insérée dans une prise que dans un seul sens. Si cette fiche ne convient pas à la prise, contacter un électricien qualifié. Ne pas modifier la prise de quelque manière que ce soit.

Si l'on utilise une rallonge longue :

- L'intensité nominale indiquée sur la rallonge doit être au moins égale à celle de l'appareil.
- La rallonge doit être un cordon de type mise à la terre à 3 conducteurs.
- Le cordon doit être disposé de sorte qu'il ne pende pas par dessus le plan de travail ou la table de cuisine, car des enfants pourraient tirer dessus ou trébucher dessus involontairement.

Guide des pièces et des caractéristiques



Affichage du temps de cuisson de 24 heures

Grand affichage double mode facile à lire. Si la mijoteuse est allumée, l'affichage indique "On" (marche) et fonctionne pendant 24 heures avant de s'éteindre automatiquement. Le deuxième mode est programmé – l'affichage entame le compte à rebours à partir de l'heure programmée. Il peut être programmé pour une durée maximale de 24 heures. D'autre part, une fois la durée initialement programmée écoulée, le programme passe automatiquement à Keep Warm (garder au chaud) pendant 4 heures. Dans ce cas, l'affichage entame le compte à rebours, de 0:00 à 4:00 heures, avant de s'éteindre automatiquement.

Plat en céramique amovible de 6 ptes (5,7 L)

Le plat lavable au lave-vaisselle se convertit en plat de service esthétique pour présenter le dîner. Bien que nous ne recommandons pas d'utiliser le plat en céramique pour cuire des aliments au four, on peut placer le plat en céramique au four jusqu' à 300° F/ 149° C pour garder les aliments au chaud pendant une durée maximum d'une heure.

Le plat en céramique ne doit pas être utilisé pour une cuisson au four à micro-ondes ou sur la cuisinière.

REMARQUE : Le versement peut être difficile si le plat est plein ou presque plein; il est donc recommandé de vider le plat de son contenu.

Couvercle en verre (modèle KSC6223)

Le couvercle en verre permet de surveiller les aliments pendant la cuisson.

Couvercle mobile (modèle KSC6222)

Le couvercle mobile innovant permet de servir différents types d'aliments sans difficulté et avec moins de déperdition de chaleur. Les grandes poignées pivotantes sur les deux panneaux à charnières permettent de verrouiller et de déverrouiller facilement d'une seule main.

REMARQUE : On ne peut pas placer les couvercles au four.

Poignée du couvercle

Grâce à la grande poignée du couvercle on peut facilement soulever le couvercle ; son matériau et sa conception permettent de réduire le transfert de chaleur depuis le couvercle.

Poignées

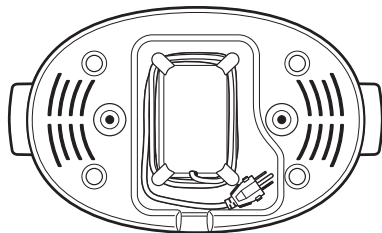
Grâce aux grandes poignées latérales du logement externe on peut facilement soulever la mijoteuse de 6 pintes (5.7 L), même avec des mitaines de four.

Socle de mijoteuse en acier inoxydable

Une mijoteuse au socle stable et facile à nettoyer. Les côtés du socle de la mijoteuse peuvent devenir très chauds durant son utilisation. Toujours utiliser les poignées du socle lorsqu'on déplace la mijoteuse. Utiliser des mitaines de four pour retirer le plat en céramique.

Espace de rangement intégré pour cordon

Doté d'une prise à trois alvéoles reliée à la terre, le cordon d'alimentation se range parfaitement à la base du logement de la mijoteuse.



Avant la première utilisation

Avant d'utiliser la mijoteuse pour la première fois, essayer le logement métallique et le cordon avec un linge propre et humide. Laver le plat en céramique et le couvercle en verre dans une eau chaude et savonneuse, puis rincer et sécher. Le plat en céramique et le couvercle en verre peuvent aussi être lavés au lave-vaisselle.

Assemblage de la mijoteuse

1. Placer le plat en céramique dans le logement métallique. Ne rien faire cuire dans le logement métallique si le plat en céramique n'est pas en place. Éviter les changements brusques de température provoqués par exemple par l'ajout d'aliments réfrigérés dans le plat chaud. Pour la cuisson, le plat en céramique doit être placé dans le logement métallique et les aliments dans le plat en céramique.
2. Pour de meilleurs résultats de cuisson, toujours utiliser la mijoteuse avec le couvercle installé.

⚠ AVERTISSEMENT



Risque de choc électrique

Brancher sur une prise à 3 alvéoles reliée à la terre.

Ne pas enlever la broche de liaison à la terre.

Ne pas utiliser un adaptateur.

Le non-respect de ces instructions peut causer un décès, un incendie ou un choc électrique.

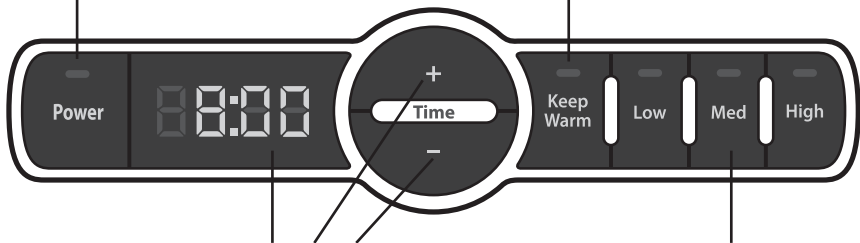
3. Brancher l'appareil dans une prise à 3 alvéoles reliée à la terre. La mijoteuse est désormais prête à être utilisée.

Utilisation de la mijoteuse

Une fois la mijoteuse branchée, on peut appuyer sur "POWER" pour allumer l'affichage DEL de la minuterie et le témoin lumineux "power" (mise sous tension).

Lorsque le mode "Keep Warm" (garder au chaud) est sélectionné, la minuterie affiche "On" (marche).

REMARQUE : Ne pas tenter de cuire un aliment au mode "Keep Warm" (garder au chaud). Ce mode est uniquement conçu pour conserver les aliments à température sécuritaire une fois leur cuisson terminée.



La minuterie permet de programmer un temps de cuisson défini pour une durée maximale de 24 heures. Chaque pression sur "+" augmente le temps de cuisson de 30 minutes. Chaque pression sur "-" réduit le temps de cuisson de 30 minutes. La durée réglée s'affiche, la minuterie compte à rebours jusqu'à ce que zéro soit atteint.

Commande de température à trois niveaux pour un résultat parfait.

REMARQUE: "On" s'affiche lorsqu'on sélectionne une température sans avoir préalablement programmé de durée pour la minuterie. Si on n'arrête pas la mijoteuse, elle fonctionne pendant un maximum de 24 heures puis s'éteint automatiquement.

Pour commencer

1. Brancher la mijoteuse (veiller à ce que le plat en céramique se trouve dans la base de la mijoteuse).
2. Appuyer sur le bouton "POWER" (mise sous tension).
3. Sélectionner la température.
4. Si l'on souhaite programmer le temps de cuisson, utiliser les boutons "+" ou "-" pour sélectionner le temps de cuisson (l'utilisation de la minuterie est facultative et n'est pas nécessaire pour utiliser la mijoteuse).
5. S'assurer que le couvercle est bien posé sur le plat en céramique.

Guide pour réglages de la mijoteuse

Les multiples réglages de la mijoteuse permettent la préparation d'une variété d'aliments sur différents réglages pour adapter les recettes à l'emploi du temps de l'utilisateur.

De manière générale, utiliser un réglage inférieur lorsque le temps de cuisson est supérieur. Essayer un réglage supérieur lorsque vous entamez la préparation des aliments plus tard dans la journée et que l'on souhaite servir les aliments le soir même.

“High” (élevée) – Essayer d'utiliser ce réglage lorsque l'on souhaite un temps de cuisson plus court ou pour des recettes qui nécessitent une cuisson traditionnelle.

Boissons chaudes	Met en sauce au riz sauvage	Soupe à base de bouillon
Compote de pommes	Pain d'épices	Strata aux œufs
Dumplings	Pommes de terre à la vapeur	Tarte à l'anglaise/ dessert aux fruits
Haricots et riz	Pouding/gâteau vapeur	Viandes rôties
Morceaux de poulet/dinde		

“Medium” (moyen) – Idéal pour la plupart des recettes lorsque l'on a le temps de faire mijoter les aliments pendant longtemps. C'est un réglage idéal pour les aliments que l'on prépare le matin avant d'aller au travail et qui seront servis au dîner du soir.

Ailes de poulet	Met en sauce au riz sauvage	Ragout
Clafoutis	Met en sauce aux pommes de terre	Ragout de poulet
Côtelettes de porc	Morceaux de poulet/dinde	Rôti de bœuf
Côtes de porc	Poires pochées	Rôti de palette
Fsoupe à base de crème ou de fromage	Pommes de terre au four	Roulades de bœuf
Garniture/sauce/farce	Pouding au riz	Soupe à base de crème ou de fromage
Haricots secs/lentilles	Poudings	Soupe aux pois cassés
Haut-de-côtes de bœuf	Poulets de Cornouailles	
Met en sauce au poulet ou à la dinde		

“Low” (faible) – Idéal pour les recettes à cuisson lente ou pour les morceaux de viande moins tendres qui nécessitent un temps de cuisson supérieur pour développer leurs arômes.

Ailes de poulet	Haut-de-côtes de bœuf	Rôti de bœuf
Côtelettes de porc	Jarrets d'agneau	Rôti de porc
Côtes de porc	Morceaux de poulet/dinde	Soupe à base de crème ou de fromage
Courges dures	Poudings à base d'œufs	Soupe aux pois cassés
Garniture/sauce/farce	Ragout	Soupes avec morceaux de viande moins tendres
Haricots secs/lentilles	Ragout de poulet	

Au cours des dernières décennies, à mesure que nos emplois du temps se compliquent et que notre style de vie s'accélère, de plus en plus de gens se tournent vers les mijoteuses pour les aider à employer leur temps plus efficacement.

Cette mijoteuse KitchenAid® permet de contrôler la cuisson tout en finesse, optimisant ainsi son efficacité; elle offre également une grande puissance pour plus de réactivité et pour une parfaite tranquillité d'esprit.

Cuisson régulière assurée

Une mijoteuse est conçue pour que l'on puisse y placer des aliments, s'en éloigner sans s'en inquiéter et revenir pour trouver un plat cuit à point. Il est donc important de la laisser faire son travail. Cela signifie que l'on doit toujours cuire les aliments dans le plat en céramique avec le couvercle en verre installé, car la température à l'intérieur de la mijoteuse baisse lorsque le couvercle n'est pas en place, ce qui allonge le temps de cuisson.

Hormis lorsqu'une recette pour mijoteuse indique explicitement de retirer le couvercle, ne pas le retirer ni le soulever avant que le temps de cuisson minimal spécifié dans la recette ne se soit écoulé. Pour surveiller les aliments pendant la cuisson, tapoter légèrement le couvercle en verre contre son support pour retirer la condensation qui s'y serait formée puis inspecter les aliments à travers le couvercle.

Commencer avec des aliments à bonne température

Pour savoir quelle température convient à quel type d'aliments, suivre le bon sens lorsque l'on commence à utiliser une mijoteuse. Les aliments qui se conservent traditionnellement au réfrigérateur doivent être introduits dans la recette à leur température de réfrigération. En revanche, les aliments surgelés doivent être décongelés. Si l'on doit saisir la viande ou la volaille, procéder juste avant de les placer dans la mijoteuse – ne pas cuire partiellement de la viande ou de la volaille ni ensuite réfrigérer ces aliments avant de les utiliser.

Éviter d'ajouter des liquides dont la température serait inférieure à celle d'une température de réfrigération normale.

Si l'on place des liquides dont la température est proche du point de congélation dans le plat tiède ou chaud, celui-ci pourrait se fêler.

Une mijoteuse représente un environnement humide

Une mijoteuse utilise l'humidité contenue dans les aliments pour les cuire. Si l'on garde le couvercle fermé pendant la cuisson, la quantité d'humidité qui s'échappe de la mijoteuse sera très faible et le jus de cuisson s'accumule. Il faut donc utiliser moins d'aliments liquides lorsque l'on utilise ses recettes traditionnelles favorites pour le mijotage.

Améliorer la texture et le goût des aliments

La quantité d'épices, le type d'ingrédients et le moment où les ingrédients sont introduits dans une recette peuvent améliorer la texture et le goût des plats mijotés.

D'une manière générale, lors de l'utilisation de vos recettes favorites dans une mijoteuse, augmenter la quantité d'herbes aromatiques et d'assaisonnement pour compenser les effets de temps de cuisson supérieurs.

Ajouter les garnitures, les fines herbes et les légumes à cuisson rapide vers la fin du programme de cuisson. Par exemple, on peut ajouter des petits pois, du maïs et de la courge fraîchement tranchée au cours des 10 à 20 dernières minutes.

Prendre également en compte les différences entre ingrédients pour les cuissons plus longues. La volaille à chair foncée conserve mieux l'humidité que la viande blanche pour les recettes nécessitant une cuisson supérieure à une durée comprise entre 7 et 9 heures. Le riz à grains entiers - comme le riz brun ou le riz sauvage - reste plus ferme que le riz blanc lorsque mijoté. Sur une période de cuisson prolongée, le riz blanc peut cuire excessivement et devenir pâteux.

Pour la cuisson de soupes et de ragouts, laisser un espace de 2 po (5 cm) entre les aliments et le sommet du plat en céramique de façon à ce que la préparation puisse mijoter sans déborder.

Conseils pour le mijotage

Ne pas utiliser de viande congelée et crue dans la mijoteuse. Toujours décongeler la viande avant de la faire mijoter.

Certains aliments ne supportent pas une cuisson prolongée. Les pâtes, les fruits de mer, le lait, la crème ou la crème sure doivent être ajoutés au plat 2 heures avant de servir.

Pour la cuisson d'un met en sauce aux légumes, la recette doit prévoir un aliment liquide pour empêcher les aliments d'attacher au plat en céramique.

Couper les aliments à la bonne dimension

La taille à laquelle on coupe les aliments affectera leur goût et leur texture. Pour assurer l'uniformité de la cuisson, couper les légumes de densité similaire comme les pommes de terre, les carottes et les panais en morceaux de taille similaire.

D'une manière générale, des légumes denses doivent être légèrement plus petits que des légumes plus tendres.

Si l'on coupe la viande en plus gros morceaux, le temps de cuisson sera plus long mais cela permet d'éviter une surcuisson.

Entretien et nettoyage

1. Vérifier que la mijoteuse est éteinte et débranchée avant de la nettoyer.
2. Laisser la mijoteuse refroidir complètement avant de la nettoyer.

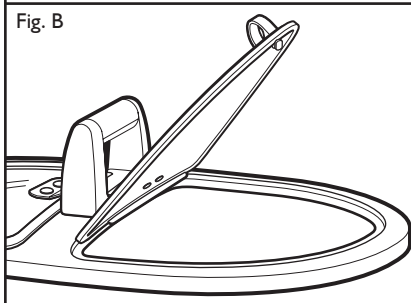
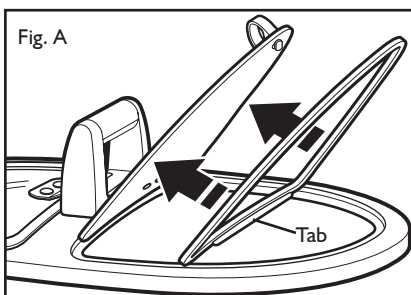
REMARQUE : Ne pas immerger le logement métallique dans l'eau pour nettoyer une pièce de la mijoteuse.

REMARQUE : Ne pas utiliser de nettoyeurs abrasifs ou de tampons à récurer.

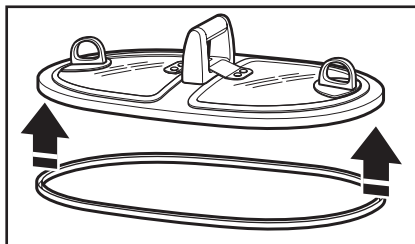
3. Essuyer le logement métallique et le cordon avec un chiffon propre et humide.
4. Laver le plat en céramique et le couvercle en verre dans une eau chaude et savonneuse, puis rincer et sécher. Le plat en céramique et le couvercle en verre peuvent aussi être lavés au lave-vaisselle.

REMARQUE : Il est recommandé de retirer les trois joints circulaires du couvercle en verre avant de le laver au lave-vaisselle. Les joints sont lavables à la main.

Pour réinstaller les joints du couvercle articulé, s'assurer que le côté entaillé est orienté vers le bas (voir la figure A) puis réinstaller lentement le joint sur le couvercle en verre (voir la figure B).



Pour réinstaller le joint sur tout le couvercle, insérer une partie du joint et progresser lentement et en sens unique à partir de cet endroit, jusqu'à ce que le joint tout entier soit installé. Ce joint est serré contre les deux parois du rebord situé au bas du couvercle – il est élastique pour une bonne tenue.



Entretien du plat en céramique et de la mijoteuse

Voici quelques conseils simples pour assurer la plus grande longévité de la mijoteuse.

- Cette mijoteuse est une mijoteuse de grande capacité et il est recommandé de placer au moins 1 pte (1 L) d'aliments dans le plat en céramique pour la cuisson.
- Ne pas remettre le plat en céramique dans le réfrigérateur.
- Si le plat en céramique a été laissé dans le réfrigérateur par inadvertance, ne pas le remplir immédiatement de liquides chauds ou tièdes. Attendre que le plat soit à température ambiante.
- Si l'on prépare une recette à l'avance, conserver les ingrédients dans un récipient couvert séparé.
- Après chaque utilisation, toujours suivre les instructions de la section "Entretien et nettoyage".

REMARQUE : Pour la cuisson de préparations très épaisses comme la polenta ou de nombreux desserts, le plat en céramique peut être enduit légèrement d'un aérosol de cuisine antiadhésif avant la cuisson. Ce revêtement permettra de faciliter le nettoyage après la cuisson

- Pour des résultats optimaux, la mijoteuse doit être remplie au moins à la moitié. Si elle est remplie à moins de la moitié de sa capacité, contrôler la température 1 à 2 heures avant l'heure indiquée dans la recette.

Nettoyage des résidus blancs sur la mijoteuse

De petites quantités de calcium présentes dans l'eau de lavage peuvent laisser des traces blanches sur le plat en céramique après que celui-ci a été lavé. Pour éliminer ces traces, suivre la procédure suivante :

1. Verser une petite quantité de vinaigre dans le plat et le diluer avec une égale quantité d'eau.
2. Essuyer les surfaces intérieures du plat avec une éponge douce. Veiller à essuyer soigneusement les restes du mélange vinaigre/eau sur les zones concernées.
3. Vider la mijoteuse, la rincer à l'eau et la sécher avec une serviette ou un linge doux.

Si la mijoteuse ne fonctionne pas, procéder aux vérifications suivantes :

- Vérifier que la mijoteuse est branchée dans une prise électrique adéquate. Si c'est le cas, débrancher la mijoteuse.

⚠ AVERTISSEMENT



Risque de choc électrique

Brancher sur une prise à 3 alvéoles reliée à la terre.

Ne pas enlever la broche de liaison à la terre.

Ne pas utiliser un adaptateur.

Le non-respect de ces instructions peut causer un décès, un incendie ou un choc électrique.

- Brancher la mijoteuse.
- Si la mijoteuse ne fonctionne toujours pas, inspecter le fusible ou coupe-circuit du circuit électrique auquel la mijoteuse est raccordée et s'assurer que le circuit est fermé.

Si le problème ne peut être résolu :

- Retourner l'appareil au centre de service agréé le plus proche pour examen, réparation ou réglage.

Durée de la garantie :	KitchenAid paiera pour :	KitchenAid ne paiera pas pour :
<p>50 États des États-Unis, district fédéral de Columbia, Canada et Porto Rico : Garantie limitée d'un an à compter de la date d'achat.</p>	<p>50 États des États-Unis, district fédéral de Columbia et Canada : Remplacement sans difficulté de votre mijoteuse. Voir la page suivante pour des détails sur la procédure à suivre pour un remplacement.</p> <p>OU</p> <p>À Porto Rico : Les frais de pièces de rechange et de main-d'œuvre pour corriger les vices de matériaux et de fabrication. Le service doit être fourni par un centre de réparation agréé KitchenAid®. Pour un dépannage, voir les pages suivantes.</p>	<p>A. Les réparations lorsque la mijoteuse est utilisée à des fins autres qu'un usage unifamilial normal.</p> <p>B. Dommages causés par: accident, altération, mésusage, usage abusif ou utilisation avec des produits non approuvés par KitchenAid®.</p> <p>C. Les frais de pièces de rechange ou de main-d'œuvre pour la mijoteuse lorsqu'on fait fonctionner celle-ci en dehors du pays dans lequel elle a été achetée.</p>

CLAUSE D'EXONÉRATION DE RESPONSABILITÉ AU TITRE DES GARANTIES IMPLICITES; LIMITATION DES RECOURS LES GARANTIES IMPLICITES, Y COMPRIS LES GARANTIES PROLONGÉES APPLICABLES DE QUALITÉ MARCHANDE ET D'APTITUDE À UN USAGE PARTICULIER, SONT EXCLUES DE LA PRÉSENTE GARANTIE, ET CE DANS LES LIMITES AUTORISÉES PAR LA LOI. TOUTE GARANTIE IMPLICITE POUVANT ÊTRE IMPOSÉE PAR LA LOI EST LIMITÉE À UN AN, OU À LA PLUS COURTE PÉRIODE AUTORISÉE PAR LA LOI. CERTAINES JURIDICTIONS NE PERMETTENT PAS LA LIMITATION DE LA DURÉE DE VALIDITÉ DES GARANTIES IMPLICITES DE QUALITÉ MARCHANDE OU D'APTITUDE À UN USAGE PARTICULIER; PAR CONSÉQUENT LES LIMITATIONS OU EXCLUSIONS STIPULÉES DANS LES PRÉSENTES PEUVENT NE PAS VOUS ÊTRE APPLICABLES.

SI CE PRODUIT NE FONCTIONNE PAS TEL QUE GARANTI, LE SEUL ET UNIQUE RECOURS DU CLIENT CONSISTE À EN OBTENIR LA RÉPARATION OU LE REMPLACEMENT CONFORMÉMENT AUX TERMES DE LA PRÉSENTE GARANTIE LIMITÉE. KITCHENAID® ET KITCHENAID® CANADA LP DÉCLINENT TOUTE RESPONSABILITÉ AU TITRE DES DOMMAGES FORTUITS OU INDIRECTS. Cette garantie vous confère des droits juridiques spécifiques et vous pouvez également jouir d'autres droits qui peuvent varier d'un État à l'autre ou d'une province à l'autre.

Garantie de remplacement sans difficulté - pour les 50 États des États-Unis et le district fédéral de Columbia

Nous sommes tellement certains que la qualité de nos produits satisfait aux normes exigeantes de KitchenAid que si la mijoteuse cesse de fonctionner au cours de la première année, KitchenAid® livrera gratuitement à votre porte un appareil de remplacement identique ou comparable et prendra les dispositions nécessaires pour que la mijoteuse d'origine nous soit retournée. L'appareil de remplacement sera également couvert par notre garantie limitée d'un an. Veuillez suivre ces instructions pour bénéficier de ce service de qualité.

Si la mijoteuse cesse de fonctionner au cours de la première année suivant son acquisition, il suffit d'appeler le numéro sans frais 1-800-541-6390 du Centre de satisfaction de la clientèle du lundi au vendredi, de 8 à 20 h, ou le samedi de 10 à 17 h (heure de l'est). Fournissez votre adresse d'expédition complète au conseiller. (Pas de boîte postale).

À réception de la mijoteuse de rechange, utiliser le carton et les matériaux d'emballage pour emballer la mijoteuse d'origine. Veuillez indiquer vos nom et adresse sur une feuille de papier et insérez-la dans le carton avec une copie de votre preuve d'achat (reçu de caisse, facture de règlement par de carte de crédit etc.).

Garantie de remplacement sans difficulté - Canada

Nous sommes tellement certains que la qualité de nos produits satisfait aux normes exigeantes de la marque KitchenAid® que si la mijoteuse cesse de fonctionner au cours de la première année suivant son acquisition, KitchenAid® Canada remplacera la mijoteuse par un appareil de remplacement identique ou comparable. L'appareil de remplacement sera également couvert par notre garantie limitée d'un an. Veuillez suivre ces instructions pour bénéficier de ce service de qualité.

Si votre mijoteuse KitchenAid® cesse de fonctionner durant la première année suivant son acquisition, apporter ou réexpédier la mijoteuse port dû vers un Centre de réparation KitchenAid® agréé. Veuillez indiquer vos nom et adresse d'expédition complets dans le carton et joignez une copie de votre preuve d'achat (reçu de caisse, facture de règlement par de carte de crédit etc.). Votre mijoteuse de rechange sera retournée port payé et assurée. Si le service que vous obtenez de cette manière n'est pas satisfaisant, appelez sans frais notre centre d'eXpérience à la clientèle au 1-800-807-6777.

Ou écrivez-nous à :
Centre pour l'eXpérience de la clientèle
Whirlpool Canada LP
Unit 200-6750 Century Ave
Mississauga, ON L5N 0B7

Dispositions nécessaires pour un service sous garantie à Porto Rico

Votre mijoteuse KitchenAid® est couverte par une garantie limitée d'un an à compter de la date d'achat. KitchenAid® paiera pour les pièces de rechange et les frais de main-d'œuvre pour corriger les vices de matériaux et de fabrication. Le dépannage doit être fourni par un centre de réparation agréé KitchenAid®.

Apporter la mijoteuse ou l'expédier port payé et assurée à un centre de réparation KitchenAid® agréé. Votre mijoteuse réparée sera retournée port payé et assurée. Si le service que vous obtenez de cette manière n'est pas satisfaisant, composez le 1-800-541-6390 pour connaître l'adresse d'un Centre de réparation proche de votre domicile.

Bienvenido al mundo de KitchenAid®.

Estamos comprometidos a ayudarle a crear deliciosas comidas para su familia y amistades por toda la vida. Para ayudar a asegurar la larga duración y el desempeño de su aparato, mantenga esta guía a la mano. Ésta le proveerá información sobre la mejor manera de usar y cuidar su producto. Su satisfacción es nuestra meta número 1. Recuerde registrar su producto en línea en www.kitchenaid.com, o bien usando la Tarjeta de registro del producto adjunta.

En EE.UU.: 1.800.541.6390

En Canadá: 1.800.807.6777

KitchenAid.com

KitchenAid.ca



Índice

SEGURIDAD DE LA OLLA ELÉCTRICA DE COCIMIENTO LENTO

Salvaguardias Importantes	33
Requisitos eléctricos	34

CARACTERÍSTICAS Y OPERACIÓN

Guía de piezas y características	35
Preparación de la olla eléctrica de cocimiento lento	37
Funcionamiento de la olla eléctrica de cocimiento lento	38
Guías para los ajustes de la olla eléctrica de cocimiento lento	39
Consejos para la cocción con la olla eléctrica de cocimiento lento	40

CUIDADO Y LIMPIEZA

Cuidado y limpieza	41
Solución de problemas	43

INFORMACIÓN DE LA GARANTÍA Y DE SERVICIO

Garantía de la olla eléctrico de cocimiento lento de KitchenAid®	44
--	----

PRUEBA DE COMPRA Y REGISTRO DEL PRODUCTO

Guarde siempre una copia del recibo de compra, en el cual se muestra la fecha de compra de su picadora. La prueba de compra le asegurará el servicio bajo la garantía. Antes de usar la picadora, llene y envíe por correo la tarjeta de registro del producto, que fue empacada con la unidad. Esta tarjeta nos permitirá contactarlo en el caso improbable de una notificación acerca de la seguridad del producto y nos asistirá para cumplir con las medidas de Consumer Product Safety Act (Ley de seguridad de productos al consumidor). Esta tarjeta no confirma su garantía. Sirvase completar lo siguiente para su información personal:

Número de modelo _____

Número de serie _____

Fecha de compra _____

Nombre de la tienda _____

Su seguridad y la seguridad de los demás es muy importante.

Hemos incluido muchos mensajes importantes de seguridad en este manual y en su electrodoméstico. Lea y obedezca siempre todos los mensajes de seguridad.



Este es el símbolo de advertencia de seguridad.

Este símbolo le llama la atención sobre peligros potenciales que pueden ocasionar la muerte o una lesión a usted y a los demás.

Todos los mensajes de seguridad irán a continuación del símbolo de advertencia de seguridad y de la palabra "PELIGRO" o "ADVERTENCIA".

Estas palabras significan:

! PELIGRO

Si no sigue las instrucciones de inmediato, usted puede morir o sufrir una lesión grave.

! ADVERTENCIA

Si no sigue las instrucciones, usted puede morir o sufrir una lesión grave.

Todos los mensajes de seguridad le dirán el peligro potencial, le dirán cómo reducir las posibilidades de sufrir una lesión y lo que puede suceder si no se siguen las instrucciones.

Salvaguardias Importantes

Cuando use aparatos eléctricos, siempre deberá tomar precauciones básicas de seguridad para reducir el riesgo de incendio, choque eléctrico y/o lesiones personales, incluyendo las siguientes:

1. Lea todas las instrucciones.
2. No toque las superficies calientes. Use las asas o perillas.
3. Para evitar un choque eléctrico, no sumerja el cable, los enchufes ni la olla eléctrica de cocimiento lento en agua ni en ningún otro líquido.
4. Es necesario supervisar cuidadosamente a los niños cuando usen cualquier aparato o cuando éste se use cerca de ellos.
5. Desenchúfela del contacto cuando no esté en uso y antes de la limpieza. Deje que se enfríe antes de colocar o quitar piezas.
6. No opere ningún aparato que tenga un cable o enchufe dañado, que haya funcionado mal o que se haya dañado de alguna manera. Devuelva el aparato al lugar más cercano de servicio autorizado para su examen, reparación o ajuste.
7. El uso de accesorios de acoplamiento no recomendados por KitchenAid® puede ocasionar heridas.
8. No lo use al aire libre.
9. No deje que el cable cuelgue del borde de una mesa o mostrador ni que toque superficies calientes.
10. No lo coloque cerca de un quemador a gas o eléctrico caliente ni sobre el mismo, ni tampoco dentro de un horno caliente.
11. Deberá tenerse extremo cuidado cuando se mueva un aparato que contenga aceite caliente u otro líquido caliente.
12. No dé al aparato un uso diferente de aquél para el cual que fue diseñado.
13. Este producto ha sido diseñado únicamente para uso doméstico.
14. Para desconectar, gire cualquier control hacia "Off" (Apagado) y quite el enchufe del contacto de pared.

GUARDE ESTAS INSTRUCCIONES

Requisitos eléctricos

⚠ ADVERTENCIA



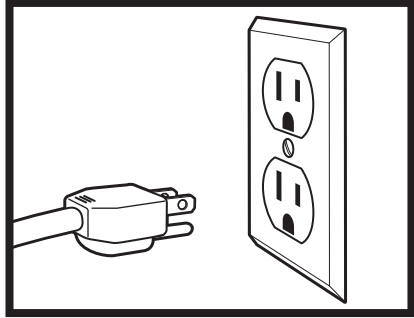
Peligro de Choque Eléctrico

Conecte a un contacto de pared de conexión a tierra de 3 terminales.

No quite la terminal de conexión a tierra.

No use un adaptador.

No seguir estas instrucciones puede ocasionar la muerte, incendio o choque eléctrico.

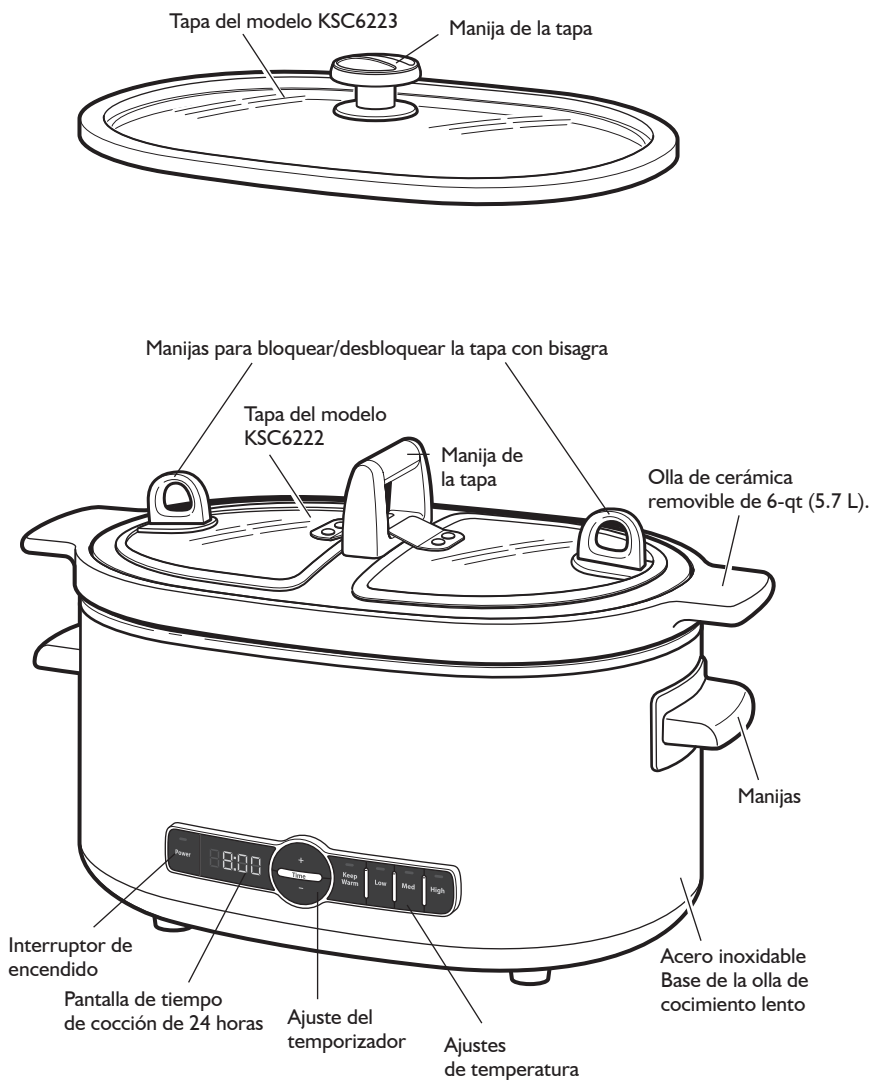


Voltios: 120 V.A.C.
Hertzios: 60 Hz

NOTA: Esta olla de cocimiento lento tiene un enchufe de 3 terminales con conexión a tierra. Para reducir el riesgo de choque eléctrico, este enchufe encajará en un contacto solamente de una manera. Si el enchufe no encaja en el contacto, consulte a un electricista competente. No modifique el enchufe de ninguna manera.

Si se utiliza un cable de extensión más largo:

- La clasificación eléctrica indicada en el cable de extensión deberá ser por lo menos la misma que la clasificación eléctrica del aparato.
- El cable eléctrico de extensión deberá ser un cable de conexión a tierra de 3 terminales.
- Deberá acomodar el cable de manera que no cuelgue sobre el mostrador o la parte superior de la mesa, en donde los niños puedan jalarlo o donde alguien pueda tropezarse con él.



Pantalla de tiempo de cocción de 24 horas

La pantalla grande y fácil de leer muestra dos modos. Si está encendida la olla eléctrica de cocimiento lento, la pantalla mostrará "On" (Encendido) y funcionará durante 24 horas antes de apagarse automáticamente. El segundo modo está programado - la pantalla hará la cuenta regresiva para el tiempo programado. Puede programarse por hasta 24:00 horas. Adicionalmente, una vez que funcione el programa por el tiempo fijado, pasará automáticamente por defecto a Keep Warm (Mantener caliente) durante 4:00 horas. Cuando esto suceda, la pantalla contará de 0:00 a 4:00 horas antes de apagarse automáticamente.

Olla de cerámica removible de 6-qt. (5.7 L)

La olla apta para la lavavajillas se convierte en una fuente atractiva para servir en la mesa. Si bien no recomendamos usar la olla de cerámica para cocinar alimentos en el horno, la misma puede usarse en el horno en hasta 300°F/149°C para mantener los alimentos cocidos calientes durante hasta una hora.

No debe usarse la olla de cerámica en el microondas ni en la parte superior de la estufa.

NOTA: Es posible que se haga difícil verter alimentos si la olla está llena o casi llena, de manera que se recomienda hacerlo con un cucharón.

Tapa de vidrio (modelo KSC6223)

La tapa de vidrio ayuda a mirar mientras se están cocinando los alimentos.

Tapa con bisagras (modelo KSC6222)

La tapa innovadora con bisagras tiene un diseño que permite opciones fáciles para servir, con menos pérdida de calor. Las manijas grandes giratorias en ambos paneles con bisagras aseguran un funcionamiento fácil con una mano para bloquear y desbloquear.

NOTA: Las tapas no pueden usarse en el horno.

Manija de la tapa

La manija de la tapa es grande para levantarla con facilidad; por otro lado, el material y el diseño ayudan a reducir la transferencia de calor desde la tapa.

Manijas

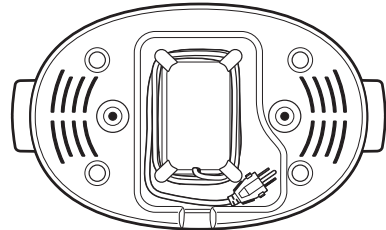
Las manijas laterales que están fuera del alojamiento son grandes, de manera que la olla de cocimiento lento de 6-qt. (5.7 L) puede levantarse con facilidad, aun con guantes para horno.

Base de acero inoxidable de la olla de cocimiento lento

Provee una base estable y fácil de limpiar para la olla de cocimiento lento. Los lados de la base de la olla de cocimiento lento pueden ponerse muy calientes durante el funcionamiento. Use siempre las manijas sobre la base cuando mueva la olla de cocimiento lento. Use guantes de horno para sacar la olla de cerámica.

Alojamiento para cable incorporado

El cable eléctrico, que incluye un enchufe de tres terminales con conexión a tierra, puede guardarse ordenadamente en la base del alojamiento de la olla eléctrica de cocimiento lento.



Antes del primer uso

Antes de usar su olla eléctrica de cocimiento lento por primera vez, limpie con un paño húmedo el alojamiento de metal y el cable. Lave la olla de cerámica y la tapa de vidrio en agua caliente jabonosa; enjuague y seque. La olla de cerámica y la tapa de vidrio pueden también lavarse en la lavavajillas.

Ensamblaje de la olla eléctrica de cocimiento lento

1. Coloque la olla de cerámica en el alojamiento de metal. No cueza nada en el alojamiento de metal sin tener la olla de cerámica en su lugar. Evite los cambios bruscos de temperatura, tales como cuando se agregan alimentos refrigerados en la olla caliente. La olla de cerámica debe colocarse en el alojamiento de metal y el alimento en la olla de cerámica para la cocción.
2. Para obtener los mejores resultados en la cocción, ponga a funcionar su olla eléctrica de cocimiento lento siempre con la tapa puesta.

⚠ ADVERTENCIA



Peligro de Choque Eléctrico

Conecte a un contacto de pared de conexión a tierra de 3 terminales.

No quite la terminal de conexión a tierra.

No use un adaptador.

No seguir estas instrucciones puede ocasionar la muerte, incendio o choque eléctrico.

3. Conecte a un contacto de pared de conexión a tierra de 3 terminales. La olla eléctrica de cocimiento lento está ahora lista para el funcionamiento.

Funcionamiento de la olla eléctrica de cocimiento lento

Una vez que se haya enchufado la olla eléctrica de cocimiento lento, al presionar POWER (Encendido) se iluminarán la pantalla LED para el temporizador y el indicador de encendido.

Cuando se haya seleccionado el modo "Keep Warm" (Mantener caliente), aparecerá "On" (Encendido) en la pantalla del temporizador.

NOTA: No intente cocinar mientras esté en el modo "Keep Warm" (Mantener caliente). El mismo ha sido diseñado solamente para mantener los alimentos a una temperatura segura después de que se han terminado de cocer.



El temporizador le permite programar un tiempo específico de cocción por hasta 24 horas. Al presionar "+", el tiempo se incrementará en 30 minutos. Al presionar "-", el tiempo disminuirá en 30 minutos. El tiempo fijado aparecerá en la pantalla y se hará la cuenta regresiva hasta cero.

El control de temperatura presenta tres niveles de calor para obtener resultados perfectos.

NOTA: Aparecerá en la pantalla On (Encendido) cuando se haya seleccionado una temperatura sin ingresar un tiempo de cocción en el temporizador. La olla eléctrica de cocimiento lento funcionará durante 24 horas si no se interrumpe; luego se apagará automáticamente.

Cómo comenzar

1. Enchufe la olla de cocimiento lento (cerciórese de que la olla de cerámica esté en la base de la olla de cocimiento lento).
2. Presione el botón de POWER (Encendido).
3. Seleccione la temperatura.
4. Si desea programar, use los botones de "+" o "-" para seleccionar el tiempo de cocción deseado (el uso del temporizador es optativo, pero no requerido para el funcionamiento de la olla de cocimiento lento).
5. Cerciórese de que la olla de cerámica tenga la tapa puesta.

Guías para los ajustes de la olla eléctrica de cocimiento lento

Los múltiples ajustes de la olla de cocimiento lento le permiten el tipo de cocción (o para servir) que le permite preparar una variedad de alimentos en ajustes diferentes, de manera que usted puede adaptar sus recetas a su horario cambiante.

En general, use los ajustes más bajos para tiempos de cocción más largos. Pruebe con un ajuste más alto cuando comience a preparara alimentos más adelante en el día y desee servir el alimento ese mismo día.

“High” (Alto) – Use este ajuste cuando desee un tiempo de cocción más corto o para recetas que se hagan comúnmente al horno.

Bebidas calientes	Guisado de arroz	Pure de manzana
Bolas de masa	silvestre	Sopa a base de caldo
Budín/pastel al vapor	Pan de jengibre	Strata a base de
Carnes asadas	Papas al vapor	huevos
Frijoles y arroz	Pastel/postre de frutas	Trozos de pollo/pavo

“Medium” (Medio) – Adecuado para la mayoría de las recetas cuando hay tiempo para una cocción larga y lenta. Es un ajuste ideal para el alimento que comenzó a cocerse en la ida al trabajo, en la mañana, y se sirve para la cena, en la noche.

Aderezo/relleno	Frijoles/lentejas secos	Pollo a la cacerola
Alas de pollo	Gallinas Cornish	Rollos de carne
Arroz con leche	Guisado	Silvestre
Asado de carne de res	Guisado de arroz	Sopa a base de queso
Asado de res de	Guisado de papas	o de crema
cuarto delantero	Guisado de pollo o de	Sopa de frijoles
Chuletas de cerdo	pavo	partidos
Costillas cortas de res	Huevo horneado	Sopas a base de queso
Costillas de cerdo	Papas horneadas	o de crema
Creimas	Peras escalfadas	Trozos de pollo/pavo

“Low” (Bajo) – Bueno para las recetas de cocimiento lento o cortes de carne menos tiernos que requieran tiempos de cocción más largos para obtener un sabor completo.

Aderezo/relleno	Creimas horneadas a base	Sopa a base de queso
Alas de pollo	de huevos	o de crema
Asado de carne de res	Frijoles/lentejas secos	Sopa de frijoles
Asado de cerdo	Guisado	Sopas con cortes de carne
Calabazas duras	Partidos	menos tiernos
Chuletas de cerdo	Patatas de cordero	Trozos de pollo/pavo
Costillas cortas de res	Pollo a la cacerola	
Costillas de cerdo	Rollos de carne	

A lo largo de las últimas décadas, a medida que los horarios se han hecho más agitados y los estilos de vida más ajetreados, cada vez más gente se dirige a las ollas de cocimiento lento para ayudarles a poder manejar su tiempo de la mejor manera.

Esta olla eléctrica de cocimiento lento de KitchenAid® le ofrece un control refinado que le ayudará a que la olla de cocimiento lento se convierta en una herramienta útil y poderosa para una mayor capacidad de recepción y tranquilidad.

Cocción lenta y segura

Una olla eléctrica de cocimiento lento ha sido diseñada para que usted ponga alimentos en la misma, salga de su casa sin tener que preocuparse y vuelva para encontrarse con un alimento con una buena cocción. Por este motivo, es importante que la misma haga bien su trabajo. Lo que significa que usted debe siempre cocinar con la olla de cerámica y la tapa de vidrio en su lugar, ya que el quitar la tapa reduce la temperatura en el interior de la olla de cocimiento lento y hace que aumente el tiempo de cocción.

No quite ni levante la tapa, excepto cuando la receta de la olla de cocimiento lento lo instruya específicamente, hasta que haya transcurrido el tiempo mínimo de cocción sugerido en la receta. Si desea ver el alimento que está cocinando, dele un golpe suave a la tapa de vidrio para que se quite la condensación formada en la misma, y mire a través de ella.

Comience con el alimento a la temperatura adecuada

Es bueno tener cierto sentido común para saber la temperatura adecuada del alimento al comenzar la cocción en la olla eléctrica de cocimiento lento. Los alimentos que se guardan por lo general en el refrigerador deberán agregarse a su temperatura de refrigeración. Por otro lado, los alimentos congelados deberán descongelarse. Y si usted necesita dorar rápidamente la carne o las aves, hágalo inmediatamente antes de agregarlas a la olla de cocimiento lento – no cueza la carne o las aves parcialmente ni las refrigere antes de usarlas.

Evite agregar líquidos que estén a temperaturas más bajas que las temperaturas normales de refrigeración. El agregar líquidos que estén casi congelados a una olla caliente o tibia puede hacer que la misma se rompa.

Una olla eléctrica de cocimiento lento es un ambiente húmedo

Las ollas de cocimiento lento usan la humedad de los alimentos para cocinarlos. Con la tapa puesta mientras se cuecen, se evapora muy poca humedad y se acumulan los jugos naturales de los alimentos. Por este motivo, cuando use sus recetas tradicionales favoritas para la olla de cocimiento lento, use menos líquido.

Cómo realzar la textura y el sabor

Cómo realzar la textura y el sabor la cantidad de condimentos, los tipos de ingredientes y el momento en que usted agregue los ingredientes pueden mejorar la textura y el sabor de sus comidas hechas en la olla de cocimiento lento.

Como regla general al usar sus recetas favoritas en la olla de cocimiento lento, aumente la cantidad de hierbas y condimentos, para compensar el efecto de tiempos más largos de cocción.

Agregue guarniciones, hierbas frescas y vegetales de cocción rápida hacia el final del ciclo de cocción. Por ejemplo, puede agregar arvejas, maíz y calabaza recién cortada en los últimos 10 a 20 minutos.

También tenga en consideración las diferencias entre los ingredientes relacionados cuando cueza durante tiempo prolongado. Las carnes rojas de las aves mantienen mejor la humedad que la carne blanca en las recetas que se cuecen durante más de 7 a 9 horas. El arroz de grano entero, como puede ser el arroz integral o silvestre, retiene mejor su textura que el arroz blanco cuando se cuece en la olla de cocimiento lento. Durante períodos prolongados, el arroz blanco puede recocerse y quedar hecho puré.

Consejos para la cocción con la olla eléctrica de cocimiento lento

Cuando cueza sopas y guisados, deje un espacio de 2 pulgadas (5 cm) entre la parte superior de la olla de cerámica y el alimento, para que la receta pueda hervir a fuego lento sin derramarse.

No use carne congelada sin cocer en la olla de cocimiento lento. Siempre descongele las carnes antes de cocer a cocimiento lento.

Algunos alimentos no son aptos para la cocción durante un período prolongado. La pasta, los mariscos, la leche, la crema o la crema agria deberán agregarse 2 horas antes de servirlos.

Si va a cocer una cazuela de vegetales, será necesario que haya líquido en la receta para evitar que los lados de la olla de cerámica se quemen.

Corte el alimento a un tamaño adecuado

El gusto y la textura de los alimentos pueden verse afectados por el tamaño en que los corte. Para asegurarse una cocción uniforme, corte los vegetales que tengan una densidad similar, tales como las papas, zanahorias y chirivías, en piezas de tamaño similar. Por lo general, los vegetales densos deberán cortarse un poco más pequeños que los vegetales más tiernos.

El cortar las carnes en pedazos grandes permite tiempos de cocción más prolongados y evita que se cuezan en exceso.

Cuidado y limpieza

1. Verifique que la olla eléctrica de cocimiento lento esté apagada y desenchufada antes de la limpieza.
2. Espere a que la olla eléctrica de cocimiento lento se enfríe por completo antes de la limpieza.

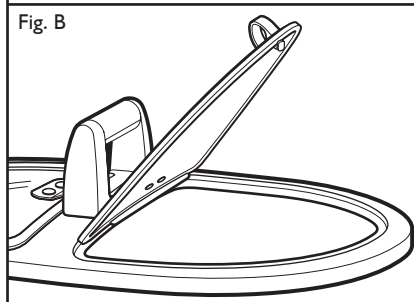
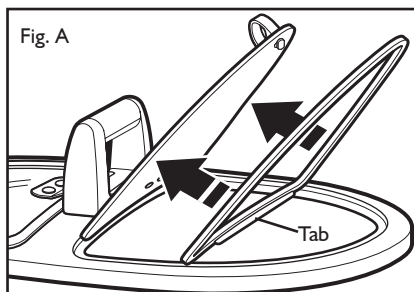
NOTA: No sumerja el alojamiento de metal en agua para limpiar ninguna parte de la olla de cocimiento lento.

NOTA: No use limpiadores ni estropajos abrasivos.

3. Limpie el alojamiento de metal y el cable con un paño limpio húmedo.
4. Lave la olla de cerámica y la tapa de vidrio en agua caliente jabonosa; enjuague y seque. La olla de cerámica y la tapa de vidrio pueden también lavarse en la lavavajillas.

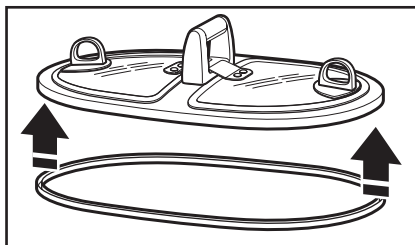
NOTA: Se le recomienda quitar los tres sellos de alrededor de la tapa de vidrio antes de lavarla en la lavavajillas. Los sellos se deben lavar a mano.

Para volver a colocar los sellos de las tapas con bisagra, cerciórese de que el borde con lengüeta mire hacia abajo (vea la Fig. A), y trabaje lentamente desde los bordes del sello hacia atrás, sobre la tapa de vidrio (vea la Fig. B).



Cuidado y limpieza

Para volver a colocar el sello alrededor del borde de la tapa completa, trabaje lentamente desde los bordes del sello hacia atrás sobre la tapa, de un extremo al otro. Este sello encajará de modo ajustado contra ambos lados del borde alrededor de la parte inferior de la tapa y se estrechará para encajar en su lugar.



Cuidado de la olla de cerámica y de la olla eléctrica de cocimiento lento

A continuación se detallan algunos consejos simples para cerciorarse de que su olla eléctrica de cocimiento lento le provea años de servicio.

- Ésta es una olla de cocimiento lento de gran capacidad y se le recomienda cocer con 1 qt (1 L) de alimentos como mínimo en la olla de cerámica.
- No guarde la olla de cerámica en el refrigerador.
- Si se ha dejado la olla de cerámica accidentalmente en el refrigerador, no la llene de inmediato con líquidos calientes ni tibios. Espere a que la olla esté a temperatura ambiente.
- Si está preparando una receta antes de ponerla a cocer, guarde los ingredientes en un recipiente separado cubierto.
- Después de cada uso, siga siempre las instrucciones en “Cuidado y limpieza”.

NOTA: Cuando esté cociendo mezclas muy densas, como puede ser polenta o varios postres, puede cubrir el interior de la olla de cerámica con rociador de cocina no adherente antes de la cocción. Este recubrimiento ayudará a que la limpieza sea más fácil después de la cocción.

- Para obtener mejores resultados, la olla de cerámica deberá estar llena por lo menos hasta la mitad. Si está llena hasta menos de la mitad, verifique la temperatura adecuada 1 ó 2 horas antes de lo que especifica la receta.

Para limpiar los residuos blancos de la olla de cerámica

Las cantidades pequeñas de calcio en el agua de lavado pueden dejar un residuo blanco en la olla de cerámica después de que se ha lavado. Para limpiar los residuos, siga este procedimiento:

1. Vierta una pequeña cantidad de vinagre dentro de la olla y dilúyalo con una cantidad igual de agua.
2. Limpie las superficies interiores de la olla con una almohadilla blanda. Cerciórese de limpiar la solución de vinagre y agua lo suficiente sobre todas las áreas afectadas.
3. Vacíe la olla, enjuague con agua y seque con un paño o una toalla suave.

Solución de problemas

Si la olla eléctrica de cocimiento lento no funciona, verifique lo siguiente:

- Fíjese si está enchufada en un contacto eléctrico apropiado. Si es así, desenchúfela.

! ADVERTENCIA



Peligro de Choque Eléctrico

Conecte a un contacto de pared de conexión a tierra de 3 terminales.

No quite la terminal de conexión a tierra.

No use un adaptador.

No seguir estas instrucciones puede ocasionar la muerte, incendio o choque eléctrico.

- Enchufe la olla eléctrica de cocimiento lento.
- Si la olla eléctrica de cocimiento lento aun no funciona, revise el fusible o el cortacircuitos en el circuito eléctrico de la casa en el cual está conectada la misma y asegúrese de que esté cerrado.

Si no se puede corregir el problema:

- Devuelva el aparato al lugar más cercano de servicio autorizado para su examen, reparación o ajuste.

Duración de la garantía:	KitchenAid pagará por:	KitchenAid no pagará por:
<p>En los 50 estados de Estados Unidos, el Distrito de Columbia, Canadá y Puerto Rico: One-year limited warranty Un año de garantía limitada a partir de la fecha de compra.</p>	<p>En los 50 estados de Estados Unidos, el Distrito de Columbia y Canadá: Reemplazo sin dificultades para su olla eléctrica de cocimiento lento. Vea la página siguiente para obtener detalles acerca de cómo obtener el reemplazo. O BIEN</p> <p>En Puerto Rico: Los costos de las piezas de repuesto y del trabajo de reparación para corregir los defectos en los materiales y la mano de obra. El servicio deberá ser provisto por un centro de servicio autorizado por KitchenAid®. Para hacer arreglos para obtener servicio, vea las páginas siguientes.</p>	<p>A. Reparaciones cuando su olla eléctrica de cocimiento lento ha sido empleada para fines ajenos al uso doméstico normal de una familia.</p> <p>B. Daños causados por accidente, alteración, uso indebido o abuso, o el usarlo con productos no aprobados por KitchenAid®.</p> <p>C. Costos de las piezas de repuesto o de trabajo de reparación para la olla eléctrica de cocimiento lento cuando se ponga a funcionar fuera del país en donde fue comprada.</p>

EXCLUSIÓN DE GARANTÍAS IMPLÍCITAS; LIMITACIÓN DE RECURSOS LAS GARANTÍAS IMPLÍCITAS, INCLUYENDO EN LA MEDIDA QUE CORRESPONDA LAS GARANTÍAS DE COMERCIALIZACIÓN O DE CAPACIDAD PARA UN PROPÓSITO PARTICULAR, SON EXCLUIDAS EN LA MEDIDA EN QUE SEA LEGALMENTE PERMISIBLE. TODA GARANTÍA QUE SEA IMPUESTA POR LEY SERÁ LIMITADA A UN AÑO O AL PERÍODO MÁS CORTO PERMITIDO POR LEY. ALGUNOS ESTADOS Y PROVINCIAS NO PERMITEN LAS LIMITACIONES O EXCLUSIONES ACERCA DE CUÁNTO DEBE DURAR UNA GARANTÍA IMPLÍCITA DE COMERCIALIZACIÓN O CAPACIDAD, DE MODO QUE LAS LIMITACIONES O EXCLUSIONES ARRIBA MENCIONADAS PUEDEN NO APLICARSE EN SU CASO.

SI ESTE PRODUCTO NO FUNCIONA COMO LO INDICA LA GARANTÍA, EL ÚNICO Y EXCLUSIVO RECURSO DEL CLIENTE SERÁ EL DE REPARARLO O REEMPLAZARLO SEGÚN LOS TÉRMINOS DE ESTA GARANTÍA LIMITADA. KITCHENAID® Y KITCHENAID® CANADA LP NO SE RESPONSABILIZARÁN POR DAÑOS INCIDENTALES O CONSECUENTES. Esta garantía le otorga derechos legales específicos, y es posible que usted tenga también otros derechos, los cuales varían de un estado a otro o de una provincia a otra.

Garantía de reemplazo sin dificultades - Para los 50 estados de Estados Unidos y el Distrito de Columbia

Confiamos tanto en que la calidad de nuestros productos cumple con las exigentes normas de KitchenAid que, si la olla eléctrica de cocimiento lento presentara alguna falla durante el primer año de compra, KitchenAid® hará arreglos para entregar un reemplazo idéntico o comparable a su domicilio sin cargo y arreglará la devolución de su olla eléctrica de cocimiento lento original a nosotros. La unidad de reemplazo estará también cubierta por nuestra garantía limitada de un año. Sírvase seguir estas instrucciones para recibir este servicio de calidad.

Si su olla eléctrica de cocimiento lento de KitchenAid® presentara alguna falla durante el primer año de compra, sencillamente llame gratuitamente a nuestro Centro para la eXperiencia del cliente al 1-800-541-6390, de lunes a viernes de 8 AM a 8 PM (hora del Este), o los sábados de 10 AM a 5 PM. Proporcione al asesor su dirección de envío completa. (No números de apartados postales, por favor.)

Cuando usted reciba la olla eléctrica de cocimiento lento de reemplazo, use el cartón y los materiales de empaque para empacar la olla eléctrica de cocimiento lento original. En la caja, incluya su nombre y domicilio en un papel junto con la copia del comprobante de compra (recibo de la caja registradora, recibo de pago de la tarjeta de crédito, etc.).

Garantía de reemplazo sin dificultades -En Canadá

Confiamos tanto en que la calidad de nuestros productos cumple con las exigentes normas de KitchenAid® que, si la olla eléctrica de cocimiento lento presentara alguna falla durante el primer año de compra, KitchenAid® Canadá reemplazará su olla eléctrica de cocimiento lento con una idéntica o un reemplazo comparable. La unidad de reemplazo estará también cubierta por nuestra garantía limitada de un año. Sírvase seguir estas instrucciones para recibir este servicio de calidad.

Si su olla eléctrica de cocimiento lento de KitchenAid® presentara alguna falla durante el primer año de compra, llévela o envíela a cobro revertido a un Centro de servicio autorizado por KitchenAid. En la caja, incluya su nombre y domicilio de envío completo en un papel junto con la copia del comprobante de compra (recibo de la caja registradora, recibo de pago de la tarjeta de crédito, etc.). Su olla eléctrica de cocimiento lento de reemplazo será devuelta con porte prepago y asegurado. Si no puede obtener un servicio satisfactorio de esta manera, llame a nuestro número gratuito del Centro para la eXperiencia del cliente al 1-800-807-6777.

O bien escribanos a:
Customer eXperience Centre
Whirlpool Canada LP
Unit 200-6750 Century Ave
Mississauga, ON L5N 0B7

Cómo obtener servicio bajo la garantía en Puerto Rico

Su olla eléctrica de cocimiento lento de KitchenAid® está cubierta bajo una garantía limitada de un año a partir de la fecha de compra. KitchenAid® pagará por las piezas de repuesto y costos de mano de obra para corregir los defectos en los materiales y la mano de obra. El servicio deberá ser provisto por un centro de servicio autorizado por KitchenAid®.

Lleve la olla eléctrica de cocimiento lento o envíela con porte prepago y asegurado a un Centro de servicio autorizado por KitchenAid®. Su olla eléctrica de cocimiento lento reparada será devuelta con porte prepago y asegurado. Si no puede obtener un servicio satisfactorio de esta manera, llame sin costo al 1-800-541-6390 para averiguar la ubicación de un Centro de servicio cerca de usted.



® Registered trademark/™ Trademark/The shape of the mixer
is a registered trademark of KitchenAid, U.S.A.

®Marque déposée/™ Marque de commerce/La forme du mixeur est une marque
déposée de KitchenAid, U.S.A.

®Marca registrada/™ Marca de comercio/La forma de la batidora es una marca
registrada de KitchenAid, U.S.A.



FOR THE WAY IT'S MADE.®