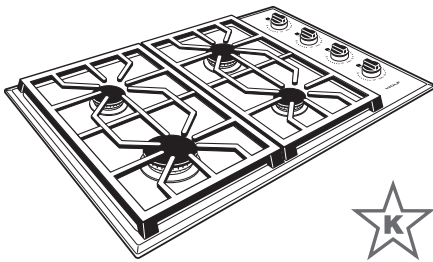


## FEATURES

- Control knobs and burner grates designed to match Wolf professional products.
- Crafted of heavy-duty stainless steel.
- Four dual-stacked, sealed burners for precise control and easy cleanup.
- Powerful 18,000 Btu burner for darker sears and faster boils.
- True simmer setting on all burners prevents scorching.
- Control knobs in your choice of signature red, black or stainless steel.
- Porcelain-coated, cast iron continuous burner grates.
- Seamless burner pan for easy cleanup.
- Flame recognition and automatic reignition for safety and ease of use.
- Individual spark ignition system—only the burner in use will spark.



Model CG304P

## MODEL OPTIONS

Professional	CG304P/S
--------------	----------

*LP gas model, add (LP).*

## ACCESSORIES

- Two-burner wok grate—wok covers one burner only.
- Signature red, black or stainless steel control knobs.
- Transitional grates.
- Natural gas high altitude conversion kit.

Accessories available through an authorized Wolf dealer. For local dealer information, visit the find a showroom section of our website, [wolfappliance.com](http://wolfappliance.com).

## SPECIFICATIONS

### PRODUCT

Dimensions 30"W x 4"H x 21"D  
Weight 50 lb

### ELECTRICAL

Supply 120 VAC, 60 Hz  
Service 15 amp circuit  
Power Cord 6'

### GAS

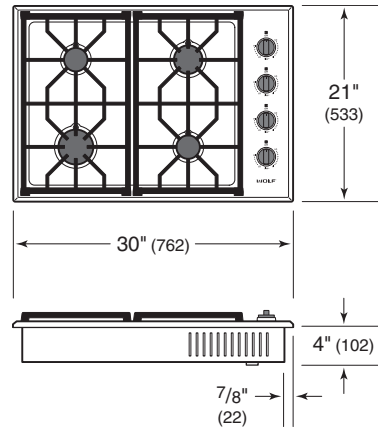
Supply  $\frac{3}{4}$ " rigid pipe  
Inlet  $\frac{1}{2}$ " NPT male

### BURNER RATING

### BTU

Large 18,000  
Medium 12,000  
Small (2) 9,200

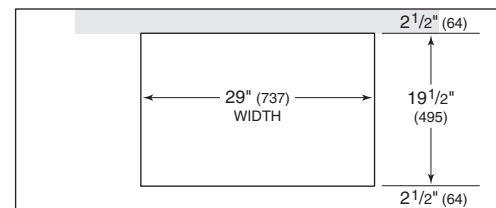
## DIMENSIONS



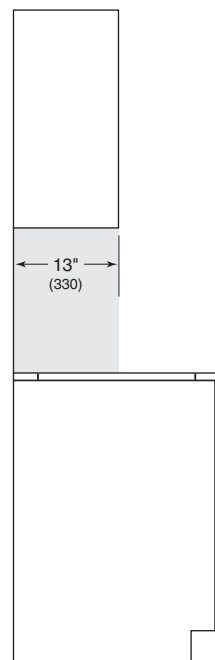
Specifications are subject to change without notice. Visit [wolfappliance.com/specs](http://wolfappliance.com/specs) for the most up-to-date information.

Dimensions may vary  $\pm 1/8$ " (3). Dimensions in parentheses are millimeters unless otherwise specified.

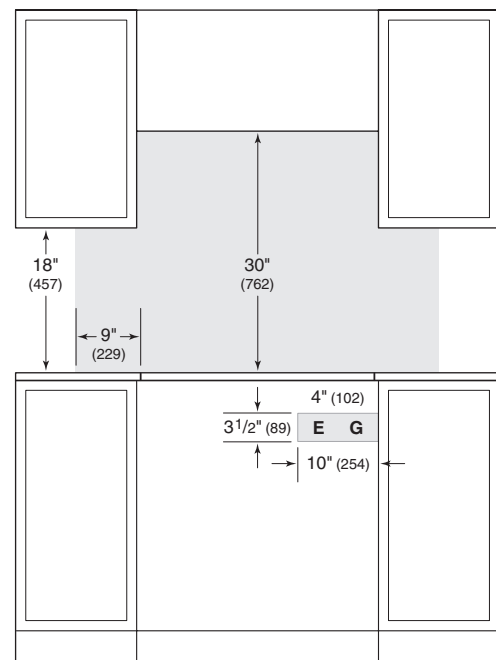
## INSTALLATION



COUNTERTOP CUT-OUT



SIDE VIEW



FRONT VIEW

**NOTE:** Shaded area above countertop indicates minimum clearance to combustible surfaces, combustible materials cannot be located within this area.  
Electrical and gas supply location only applies to installations with built-in oven.