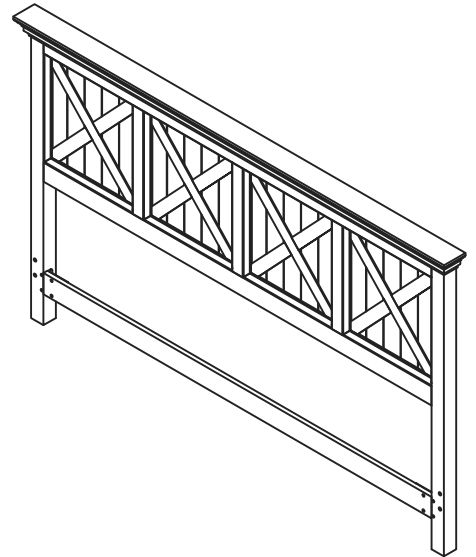


88 5523 601 King Headboard



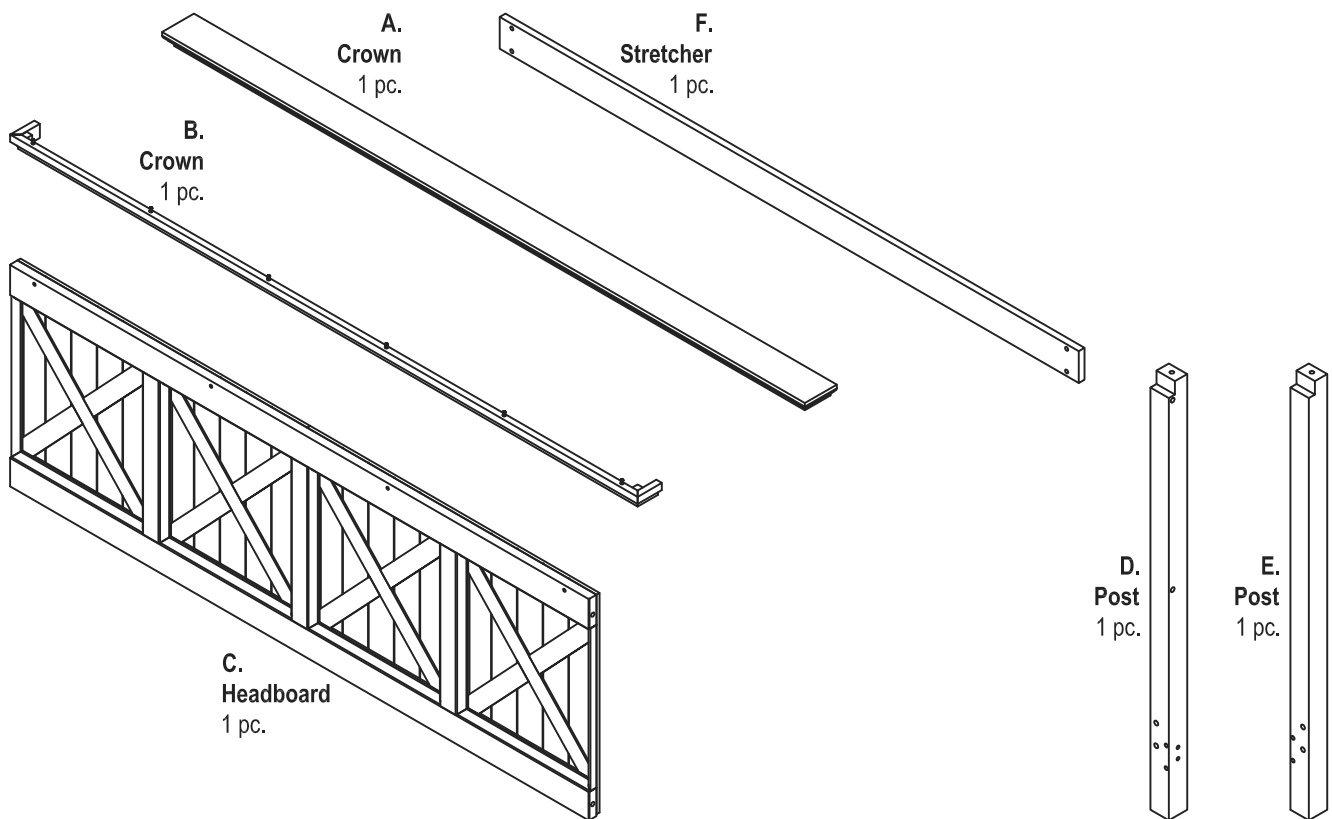
IMPORTANT NOTE

Carefully remove all the parts from the carton and put them individually on a soft cloth to prevent scratches or other damage occurring to the parts.

We have taken great care in the design of this product and request that you carefully and strictly follow our assembly instructions to ensure a completed product as it was designed.

Home Styles

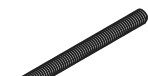
Part List



Hardware List



(M6x30)
Head Cap Bolt
4 pcs. (+1 extra)



(5/16" x 3 5/32")
Bolt
6 pcs. (+1 extra)



(M4x45)
1 3/4" Round Head Screw
4 pcs. (+1 extra)



(M4x16)
5/8" Flat Head Screw
10 pcs. (+1 extra)



Spring Washer
4 pcs. (+1 extra)



Flat Washer
4 pcs. (+1 extra)



Square Washer
6 pcs. (+1 extra)



Nut
6 pcs. (+1 extra)



Corner Plate
2 pcs.



Wrench
1 pc.



Allen Key
1 pc.



Small Allen Key
1 pc.

Tools Required For Assembly : Phillips screwdriver

Home Styles Consumer Assistance: www.homestyles-furniture.com,
servicedesk@homestyles-furniture.com, 888-680-7460, 877-831-0319

IMPORTANT

- * Do not tighten up all the bolts until each part is properly assembled.
- * You should keep Wrench and Allen Key in a safe place as you may need to tighten up the Nuts and Head Cap Bolts in the future.
- * Use a soft cloth between these parts and the floor.

STEP 1

Attach Crown (B) to Crown (A).
(See Figure 1)

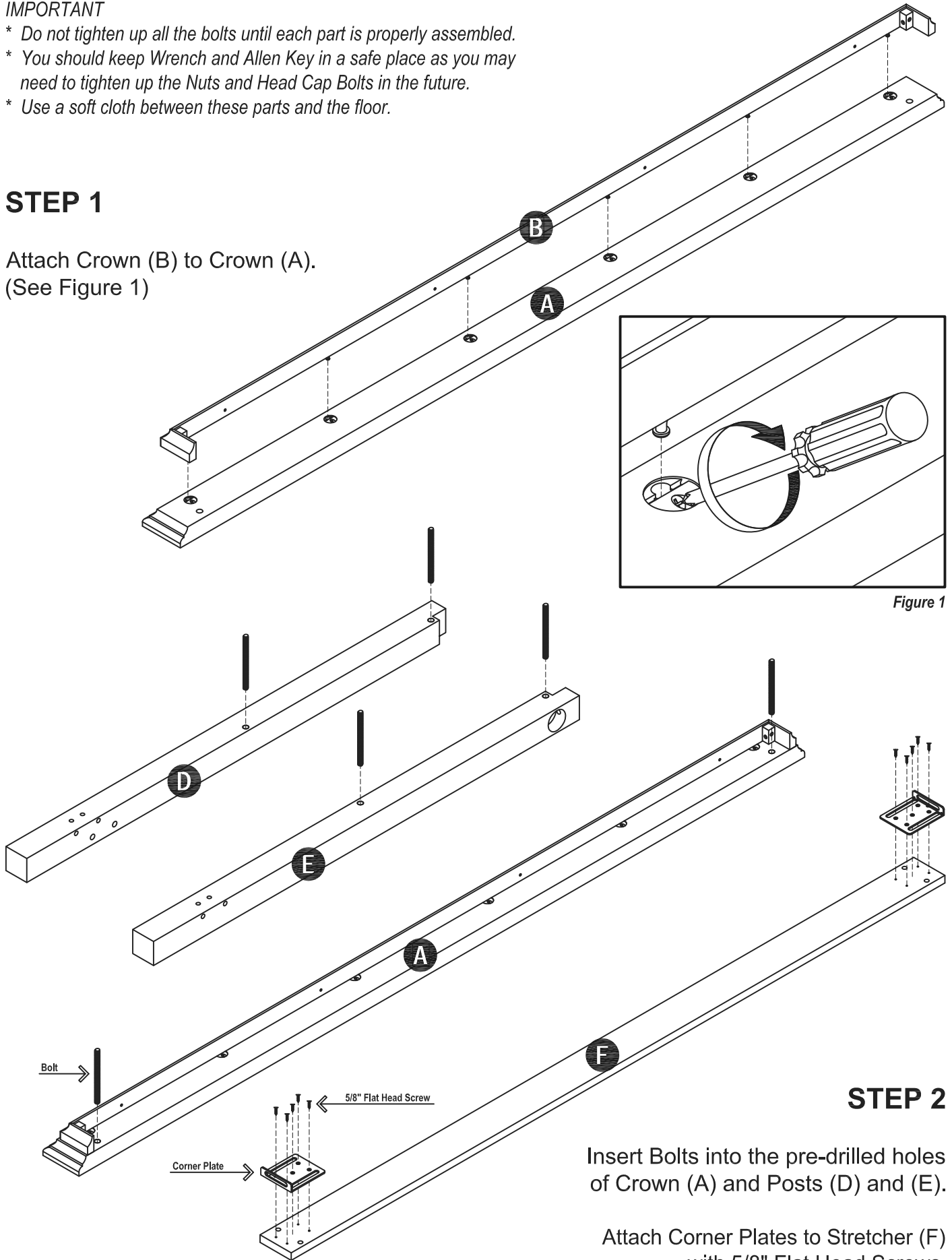


Figure 1

STEP 2

Insert Bolts into the pre-drilled holes of Crown (A) and Posts (D) and (E).

Attach Corner Plates to Stretcher (F) with 5/8" Flat Head Screws.

STEP 3

Attach Posts (D) and (E) to Headboard (C) with Square Washers and Nuts.

Tighten all Nuts with Wrench. (See Figure 2)

Attach Stretcher (F) to unit with Flat Washers, Spring Washers and Head Cap Bolts.

Tighten all Head Cap Bolts with Allen Key. (See Figure 3)

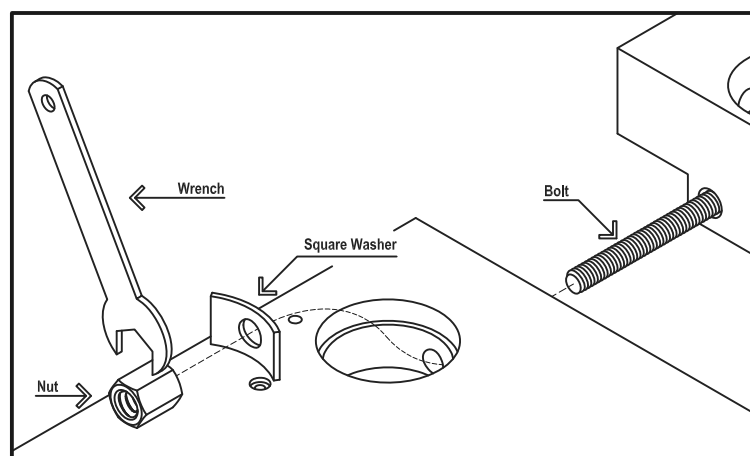
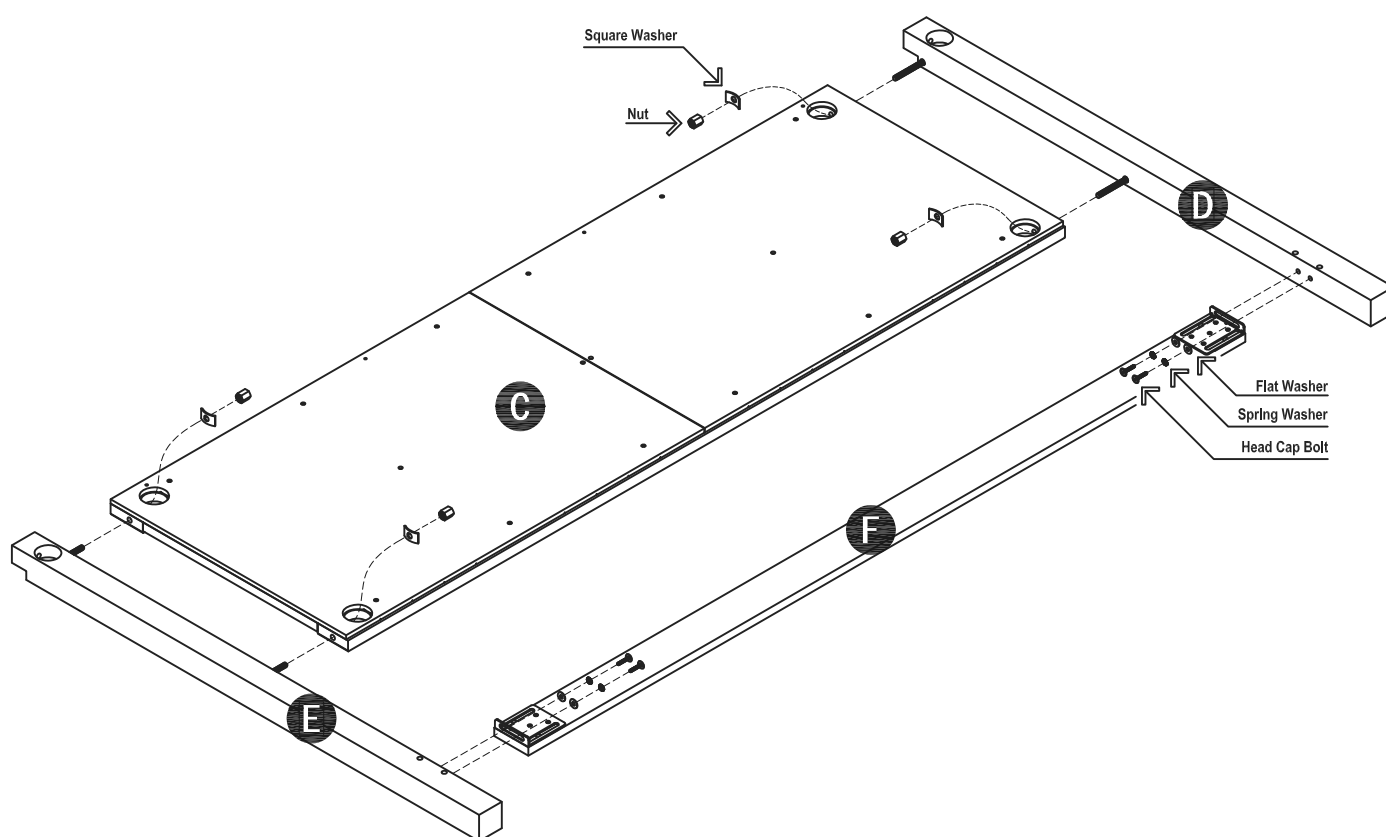


Figure 2

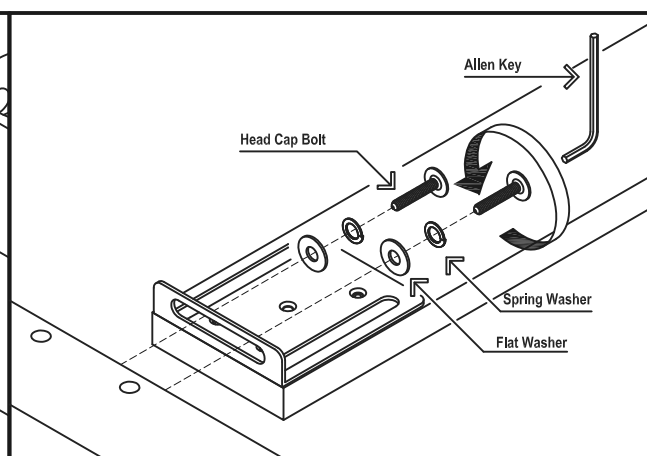
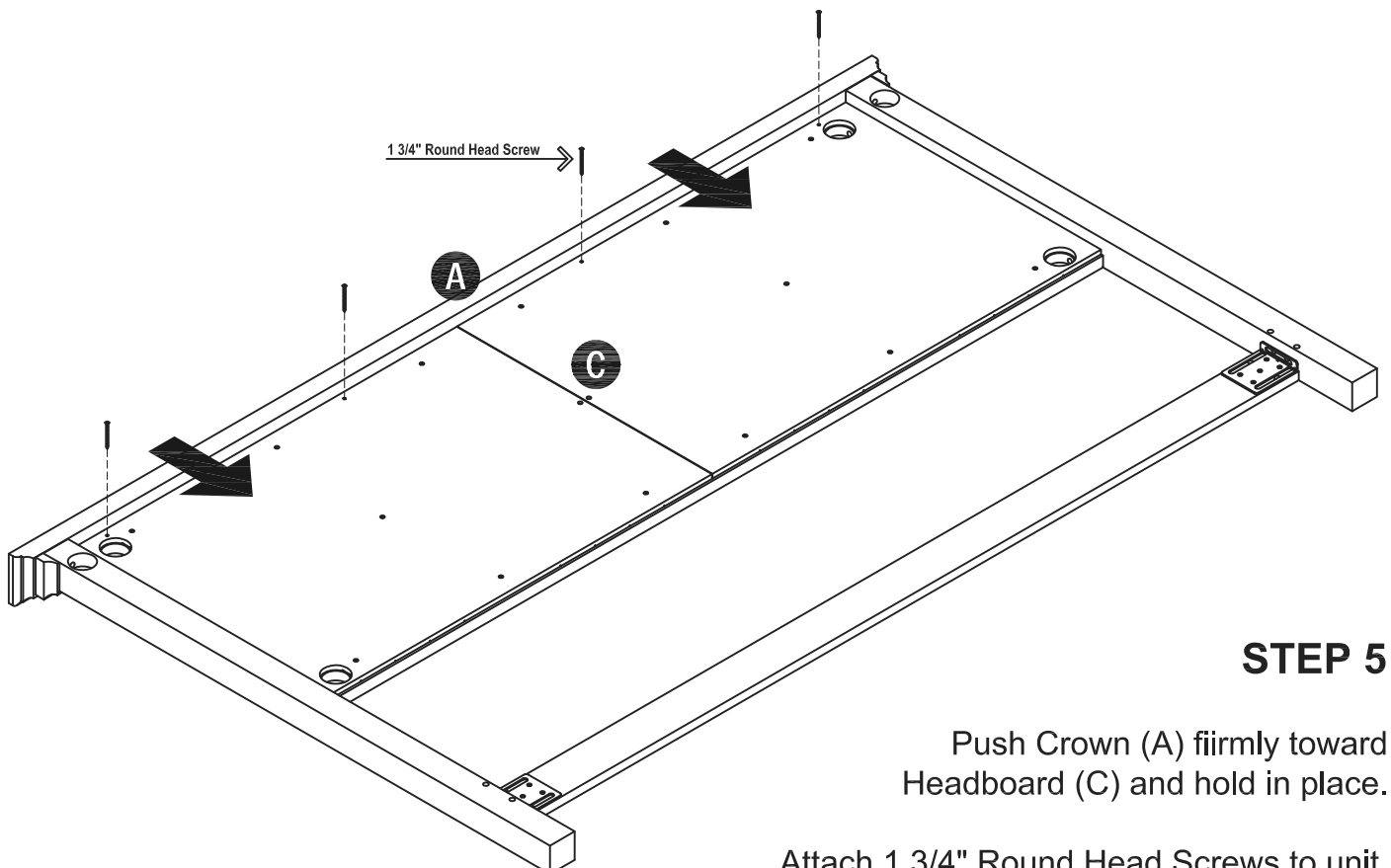
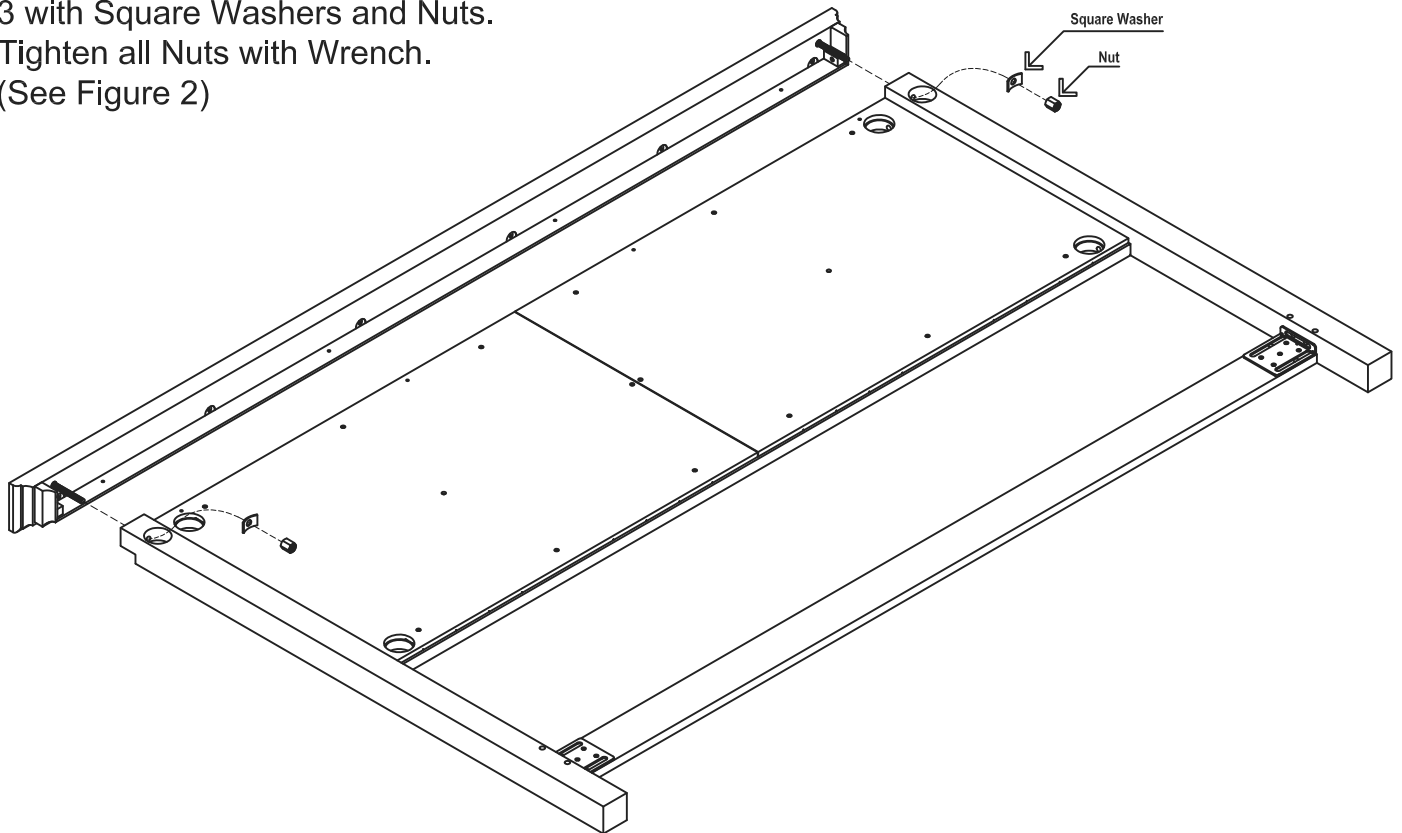


Figure 3

STEP 4

Attach unit from Step 2 to unit from Step 3 with Square Washers and Nuts.
Tighten all Nuts with Wrench.
(See Figure 2)



STEP 5

Push Crown (A) firmly toward Headboard (C) and hold in place.

Attach 1 3/4" Round Head Screws to unit.

VERY IMPORTANT !!

CARE INSTRUCTIONS

NEVER

USE GLASS CLEANERS ON FINISHED FURNITURE. AMMONIA WILL CHEMICALLY ATTACK THE FINISH.

NEVER

ALLOW LIQUIDS OF ANY KIND TO REMAIN ON THE FURNITURE. ABSORPTION CAUSES PART TO WARP AND SPLIT AND FINISHES TO DELAMINATE.

DO NOT WRITE DIRECTLY ON SURFACE.



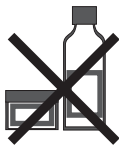
PREVENT MARKING

DO NOT PLACE IN DIRECT SUNLIGHT.



PREVENT FADING

DO NOT USE COMMERCIAL WAXES AND POLISHES.



PREVENT YELLOWING

DO NOT PLACE HOT OBJECTS ON SURFACE.



PREVENT FINISH DAMAGE

DO NOT USE RUBBER BASED PLACE MATS.



PREVENT DISCOLORING

TO CLEAN

USE A SOFT CLOTH MOISTENED IN LUKEWARM SOAP AND WATER, THEN BUFF WITH A DRY CLEAN CLOTH.



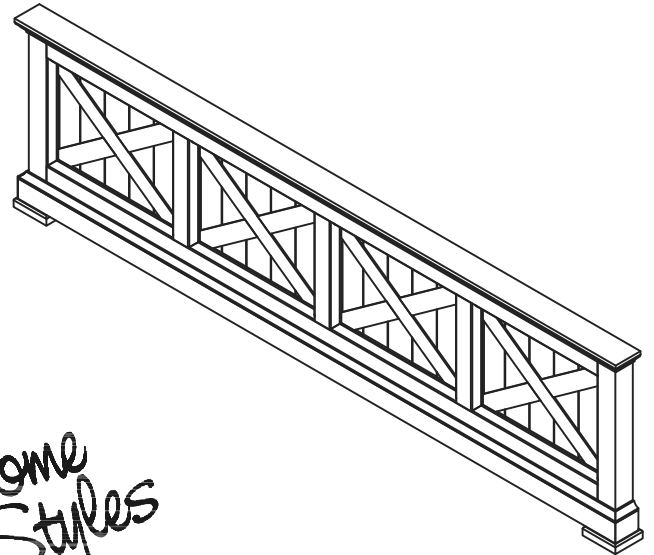
Home Styles will provide replacements free of charge for missing or damaged hardware or parts within 30 days of purchase. Digital images of the defective parts may be required. If this product was not purchased from an authorized retail affiliate, Home Styles is under no obligation to provide replacement parts. Parts are not available for fully assembled items nor are parts available for sale. Replacements for missing or damaged hardware or parts may be requested at:

www.homestyles-furniture.com/customer_service

Home Styles Consumer Assistance: www.homestyles-furniture.com,
servicedesk@homestyles-furniture.com, 888-680-7460, 877-831-0319

88 5523 602

King Footboard



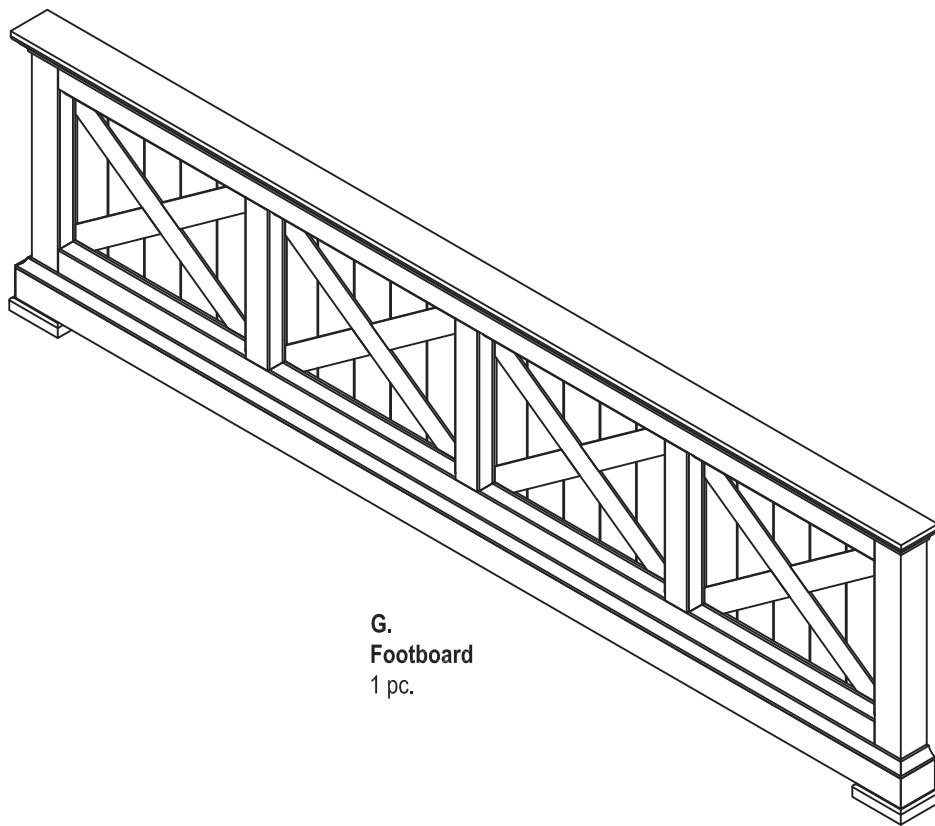
*Home
Styles*

IMPORTANT NOTE

Carefully remove all the parts from the carton and put them individually on a soft cloth to prevent scratches or other damage occurring to the parts.

We have taken great care in the design of this product and request that you carefully and strictly follow our assembly instructions to ensure a completed product as it was designed.

Part List



G.
Footboard
1 pc.

For assembly see instructions in carton 88 5523 603

Home Styles Consumer Assistance: www.homestyles-furniture.com,
servicedesk@homestyles-furniture.com, 888-680-7460, 877-831-0319

88 5523 603

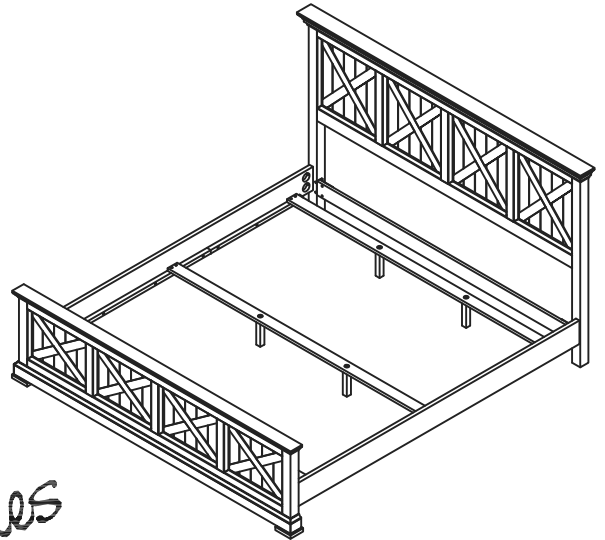
King Bed Rails

IMPORTANT NOTE

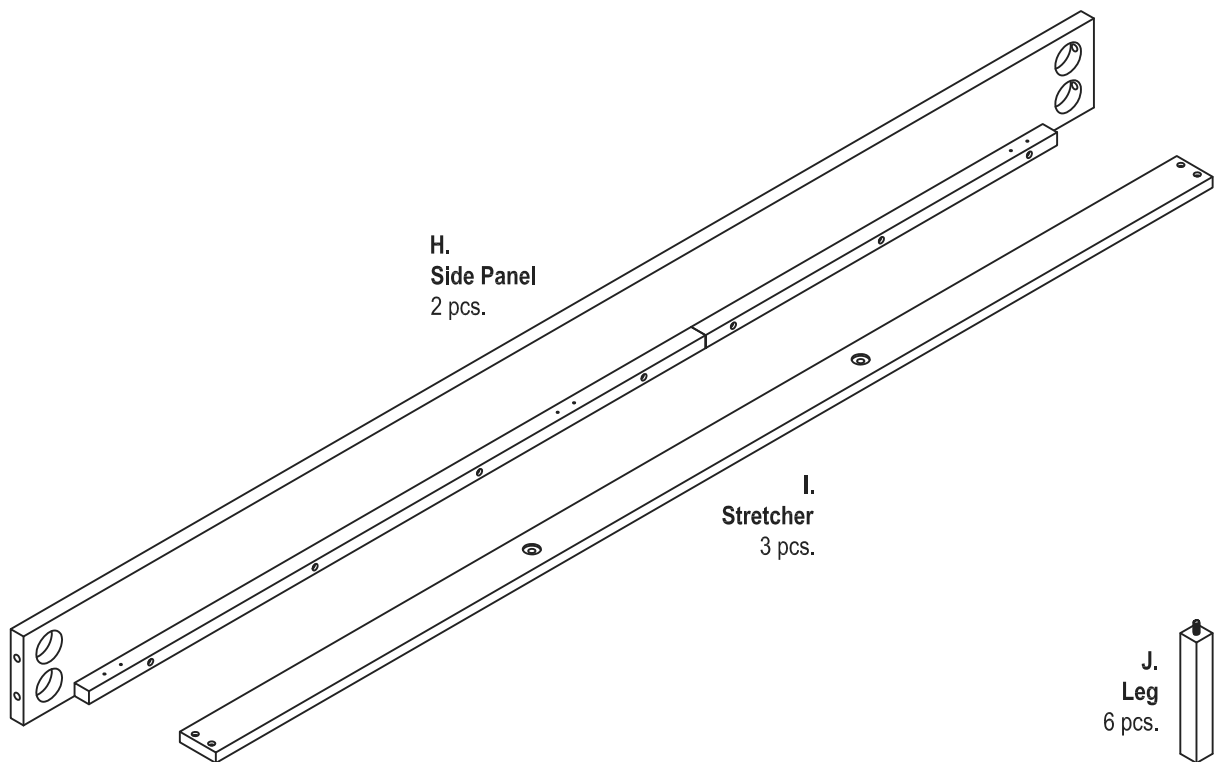
Carefully remove all the parts from the carton and put them individually on a soft cloth to prevent scratches or other damage occurring to the parts.

We have taken great care in the design of this product and request that you carefully and strictly follow our assembly instructions to ensure a completed product as it was designed.

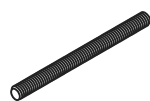
Home Styles



Part List



Hardware List



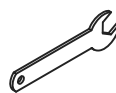
(5/16"x3 5/32")
Bolt
8 pcs. (+1 extra)



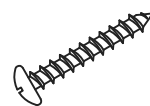
Square Washer
8 pcs. (+1 extra)



Nut
8 pcs. (+1 extra)



Wrench
1 pc.



(M4x25)
Wood Screw
12 pcs. (+1 extra)

Also need the Parts and Hardware in cartons 88 5523 601 and 602

Tools Required For Assembly : Phillips screwdriver

Tools Recommended For Assembly : Level

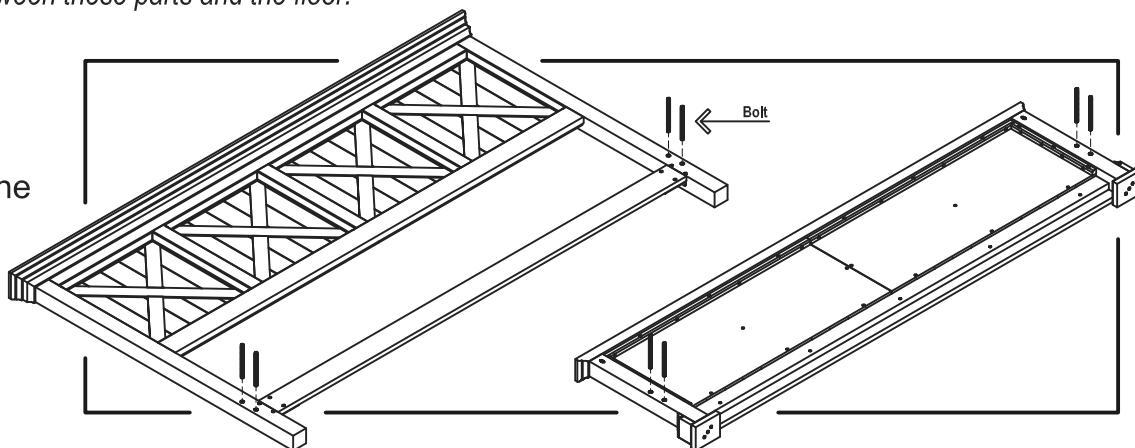
Home Styles Consumer Assistance: www.homestyles-furniture.com,
servicedesk@homestyles-furniture.com, 888-680-7460, 877-831-0319

IMPORTANT

- * Do not tighten up all the bolts & screws until each part is properly assembled.
- * You should keep Wrench in a safe place as you may need to tighten up the Nuts in the future.
- * After assembly, item must be level to work properly. Use the included adjustable levellers to level.
- * Use a soft cloth between these parts and the floor.

STEP 1

Insert Bolts into the pre-drilled holes of Headboard and Footboard.



STEP 2

Assemble Side Panels (H) to Headboard and Footboard using Square Washers and Nuts. Tighten all the Nuts with Wrench. (See Figure 1)

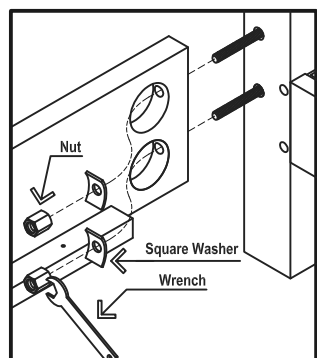
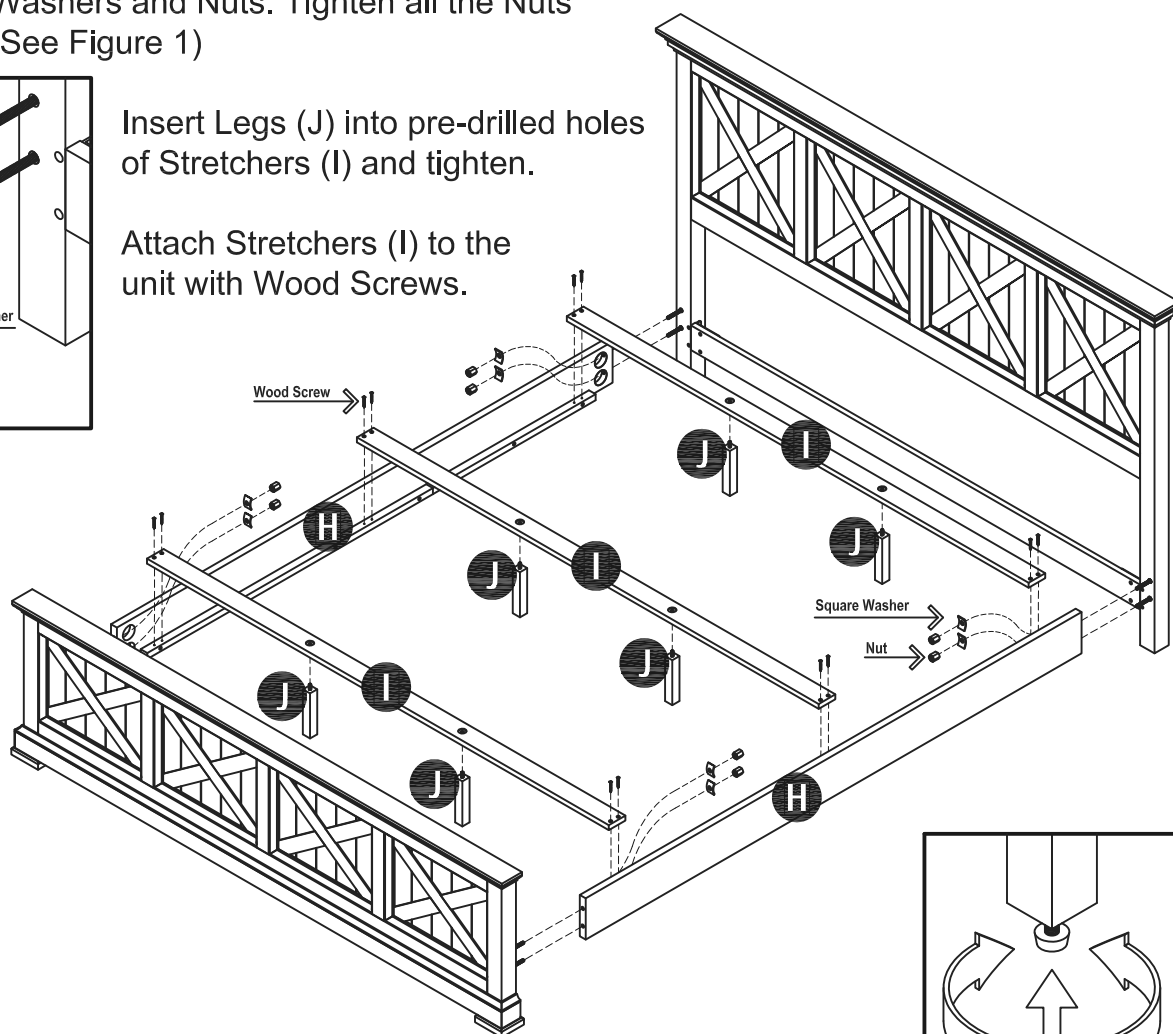


Figure 1

Insert Legs (J) into pre-drilled holes of Stretchers (I) and tighten.

Attach Stretchers (I) to the unit with Wood Screws.



STEP 3

To level the unit, adjust the adjustable levelers on the bottom of legs.

Note: Unit must be level to work properly. (See Figure 2)

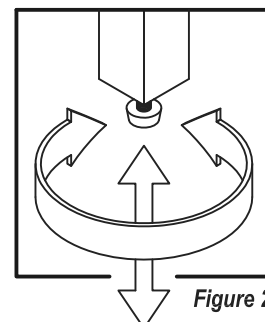


Figure 2

VERY IMPORTANT !!

CARE INSTRUCTIONS

NEVER

USE GLASS CLEANERS ON FINISHED FURNITURE. AMMONIA WILL CHEMICALLY ATTACK THE FINISH.

NEVER

ALLOW LIQUIDS OF ANY KIND TO REMAIN ON THE FURNITURE. ABSORPTION CAUSES PART TO WARP AND SPLIT AND FINISHES TO DELAMINATE.

DO NOT WRITE DIRECTLY ON SURFACE.



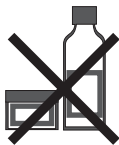
PREVENT MARKING

DO NOT PLACE IN DIRECT SUNLIGHT.



PREVENT FADING

DO NOT USE COMMERCIAL WAXES AND POLISHES.



PREVENT YELLOWING

DO NOT PLACE HOT OBJECTS ON SURFACE.



PREVENT FINISH DAMAGE

DO NOT USE RUBBER BASED PLACE MATS.



PREVENT DISCOLORING

TO CLEAN

USE A SOFT CLOTH MOISTENED IN LUKEWARM SOAP AND WATER, THEN BUFF WITH A DRY CLEAN CLOTH.



Home Styles will provide replacements free of charge for missing or damaged hardware or parts within 30 days of purchase. Digital images of the defective parts may be required. If this product was not purchased from an authorized retail affiliate, Home Styles is under no obligation to provide replacement parts. Parts are not available for fully assembled items nor are parts available for sale. Replacements for missing or damaged hardware or parts may be requested at:

www.homestyles-furniture.com/customer_service

Home Styles Consumer Assistance: www.homestyles-furniture.com,
servicedesk@homestyles-furniture.com, 888-680-7460, 877-831-0319