



French-Door Bottom Mount Refrigerator

Power supply: AC 115V
Frequency: 60 Hz
Capacity: 29.3 cu. ft.

Warning:
Before using this product, please read this manual carefully and keep it for future reference. The design and specifications are subject to change without prior notice for product improvement. Consult with your dealer or manufacturer for details.

version A - 02 - 2023

USER MANUAL



Free 3 months extension of the original limited warranty period!* Simply text a picture of your proof of purchase to:

1-844-224-1614

*The warranty extension is for the three months immediately following the completion of the product's original warranty period. Individuals do not need to register the product in order to get all the rights and remedies of registered owners under the original limited warranty.

MODEL NUMBER MRF29D3ABB
MRF29D3AST
MRF29D3AWW
www.midea.com



 MSmartHome
Download the app & activate product

LANGUAGES

EN

English

THANK YOU LETTER

Thank you for choosing Midea! Before using your new Midea product, please read this manual thoroughly to ensure that you know how to operate the features and functions that your new appliance offers in a safe way.

CONTENTS

THANK YOU LETTER	04
SPECIFICATIONS	05
PRODUCT OVERVIEW	06
PRODUCT INSTALLATION	07
OPERATION INSTRUCTIONS	14
CLEANING AND MAINTENANCE	21
TROUBLESHOOTING	25
DOC AND CERTIFICATIONS	27
WARRANTY	28

SPECIFICATIONS

Product model	MRF29D3AST, MRF29D3AWW, MRF29D3ABB
Volume	29.3cu.ft.(828L)
Rated Voltage	AC115V
Rated Frequency	60 Hz
Rated Current	2.7 A
Rated Defrost Power	280 W
Refrigerant	R600a
Amount	2.75 oz (78 g)
Unit Dimensions	35.8 x 36.1 x 69.9 in(91,0 x 91,7 x 177,5 cm)



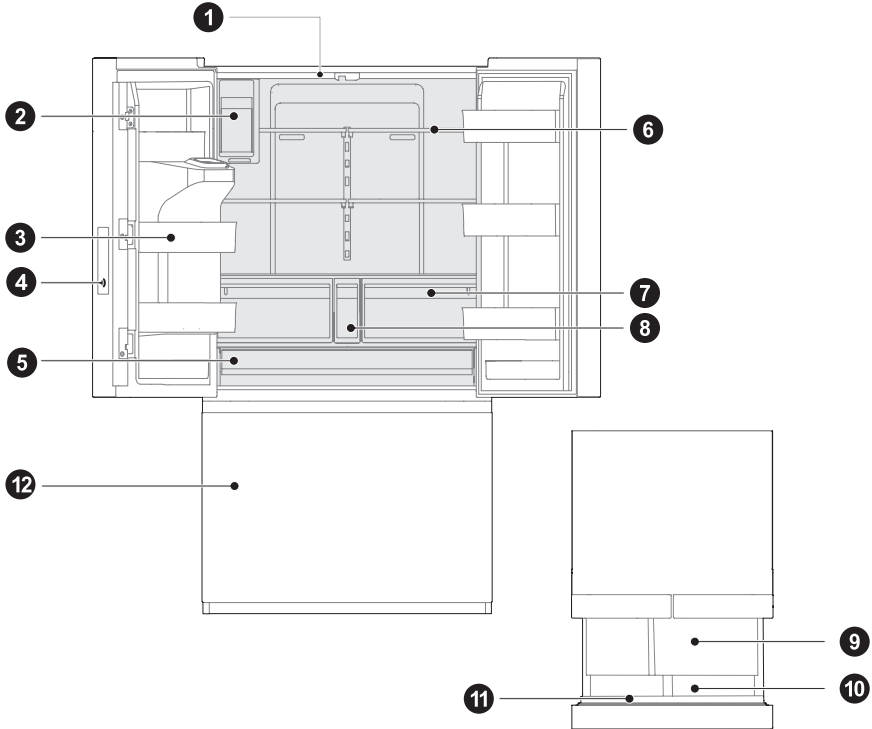
MSmartHome

Wireless Network Module Model	MWB-S-WB01
Antenna type	Printed PCB antenna
Frequency band	2400-2483.5 MHz
Operating temperature	0 °C - 85 °C /32 °F -185 °F Operation humidity: 10%-85%
Power input	DC5V/500mA Maximum Transmission power: <20dBm

EN

PRODUCT OVERVIEW

Names of components



EN

- | | | | |
|---|---------------|----|----------------------|
| 1 | LED lighting | 7 | Crisper drawer |
| 2 | Ice maker | 8 | Small drawer |
| 3 | Door tray | 9 | Upper freezer drawer |
| 4 | Control panel | 10 | Lower freezer drawer |
| 5 | Big drawer | 11 | Freezer tray |
| 6 | Shelf | 12 | Freezer drawer |

ATTENTION

- The picture above is only for reference. The actual configuration will depend on the physical product or statement by the distributor
- Small drawers suggest placing items suitable for its size, such as smaller milk cartons.

PRODUCT INSTALLATION

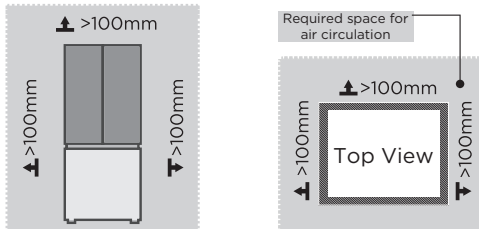
Install Instruction

Finding a suitable location

- This refrigerator is designed to be free standing only, and should not be recessed or built-in.
- The refrigerator should be placed in a well-ventilated indoor place; the ground shall be flat and sturdy.
- Keep away from heat and avoid direct sunlight. Do not place the refrigerator in moist or watery places to prevent rust or reduction of insulating effect.

Dimensions and Clearances

- Too small of a distance from adjacent items may result in the degradation of freezing capability and increased electricity costs. Allow over 100 mm of clearance from each adjacent wall when installing the appliance.



EN

Providing a proper power supply

- Check your local power source. This refrigerator requires a **AC115 V, 60 Hz** power supply.
- Use a receptacle that accepts the grounding prong. The power cord is equipped with a 3-prong (grounding) plug which mates with a standard 3-prong (grounding) wall outlet to minimize the possibility of electric shock hazard from this refrigerator.



CAUTION

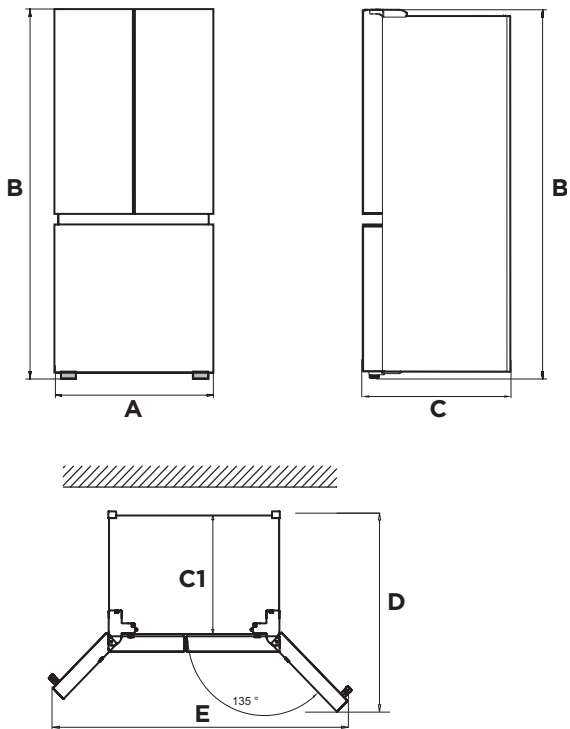
The refrigerator should always be plugged into its own individual electrical outlet which has a voltage rating that matches the rating plate. Never unplug your refrigerator by pulling on the power cord. Always grip the plug firmly and pull straight out from the outlet.

WARNING: When positioning the appliance, ensure the supply cord is not trapped or damaged.

Start to use

- The refrigerator shall stay for half an hour before connecting power when it is firstly started.
- The refrigerator shall run 2 to 3 hours before loading fresh or frozen foods; the refrigerator shall run for more than 4 hours in summer in advance considering that the ambient temperature is high.

Space requirement diagram (when the door is open and when the door is closed)



EN

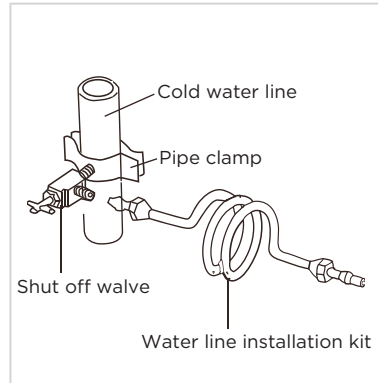
Width	Overall Height	Depth	Depth Only Cabinet	Depth doors open 135°	Width doors open 135°
A	B	C	C1	D	E
910	1775	862	745	1127	1596

Notice: All dimensions in mm

Installing the Water Line

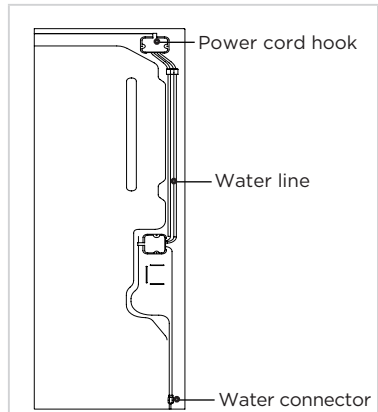
Installing the Water Line

- Water line installation kits are available as an additional accessory from your dealer or at a local hardware store.
- First, shut off the main water supply line and turn the ice-maker off.
 - Locate the nearest cold water supply valve.
 - After connecting the water supply to the water valve, turn your main water supply back on and flush several gallons of water to clear the water supply line.



Connecting the Water Line to The Refrigerator

- There are several items that you need to purchase to complete this connection.
 - You will find these items sold as a kit at your local hardware store.
- First, close the main water supply and locate the nearest cold water line.
 - Second, connect the water valve to the cold water line.
 - Turn water valve on and check for any leakage.
 - When moving the refrigerator, you can hang the power cord on the power cord hook.

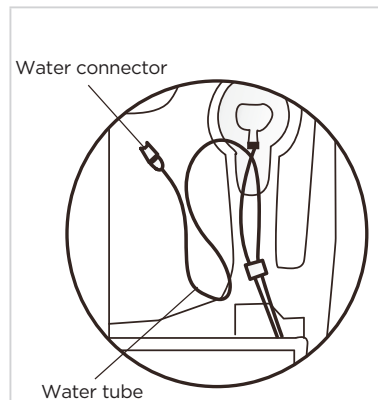


Connecting the Water Line to A Drinkable Water Source

- If your water line is not drinkable, please add an external water filter.
- If you must repair or disassemble the water line, cut off the plastic tubing to make sure you get a snug, leak-free connection.

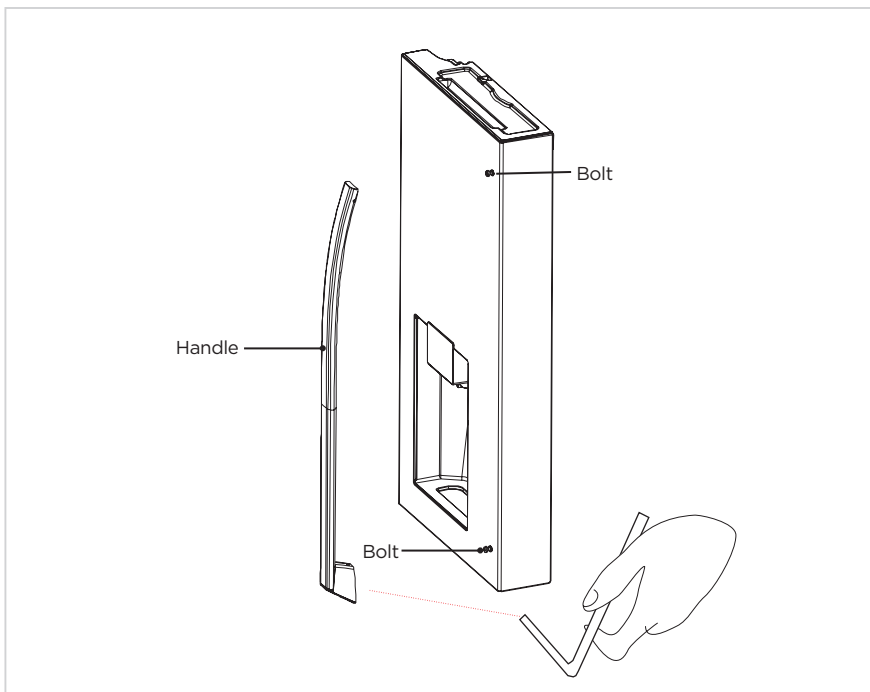
● ATTENTION

The minimum inlet water pressure: 276kPa.
The maximum inlet water pressure: 689kPa.
WARNING: Connect to potable water supply only. New hose-sets supplied with the appliance are to be used and that old hose-sets should not be reused.



Door handle installation

Precautions shall be taken to prevent fall of the handle from causing any personal injury.

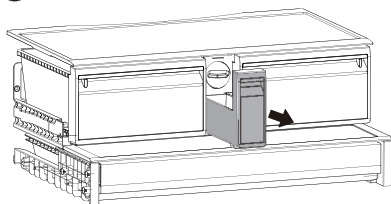


Step

1. First take out the bolts for fixing the handle from the package bag of the user manual and then fasten it on the door body with a cross screwdriver.
2. Take out the door handle from the refrigerating chamber after the first step is completed, and then place it the door in the direction as on shown in the figure and make the two bolts for fixing the handle in the handle.
3. Use the allen wrench to fasten the screws in two holes of each handle with the handle fixing bolts.

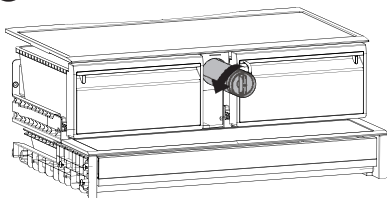
Installing Filter

1



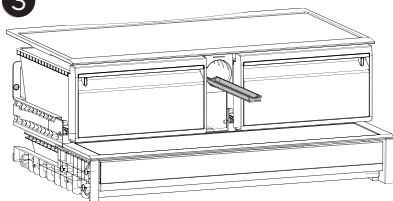
- Pull out the small drawer in the middle

2



- Press the filter knob and rotate 90° counterclockwise, the filter will disengage from the connector and the filter can be removed.

3



- Check the water tray under the strainer with your finger, take out and dump the overflow water.

Leveling feet

To avoid vibration, the unit must be leveled.

If required, adjust the leveling screws to compensate for the uneven floor.

The front should be slightly higher than the rear to aid in door closing.

Leveling screws can be turned easily by tipping the cabinet slightly.

Turn the leveling screws counterclockwise ↺ to raise the unit, clockwise ↻ to lower it.

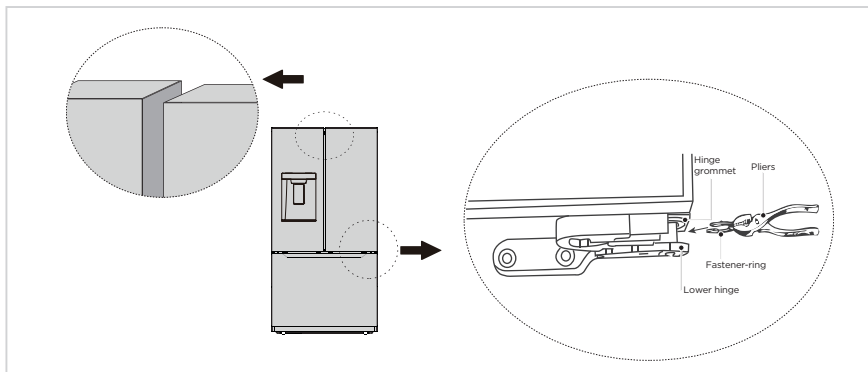
Leveling doors

List of tools to be provided by the user



Pliers

1. Raise the lower door up to the level of the higher door.
2. Insert the supplied fastener-ring by using plier in the gap between the hinge-grommet and the lower hinge. The number of fastener-rings you will need to insert depends on the gap.



Moving the appliance

1. Remove all food from inside the appliance.
2. Pull the power plug out, insert and fix it into the power plug hook at the rear or on top of the appliance.
3. Tape parts such as shelves and the door handle to prevent from falling off while moving the appliance.
4. Move the appliance with more than two people carefully. When transporting the appliance over a long distance, keep the appliance upright.
5. After installing the appliance, connect the power plug into a socket out to switch on the appliance.

Changing the light

- Any replacement or maintenance of the LED lamps is intended to be made by the manufacturer, its service agent or similar qualified person.

Connecting the appliance

After installing the appliance, connect the power plug into a socket outlet.

ATTENTION

- After connecting the power supply cord (or plug) to the outlet, wait 2 or 3 hours before you put food into the appliance. If you add food before the appliance has cooled completely, your food may spoil.

Precautions before operation:

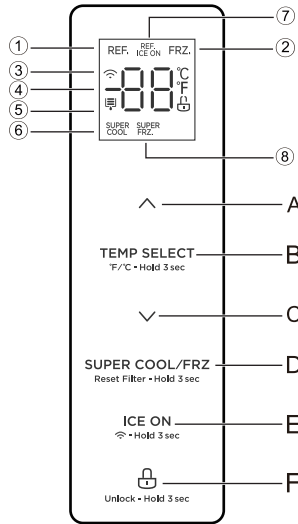
- Before making changes the refrigerator must be disconnected from power.
- precautions should be taken to prevent any personal injury.

Tips for energy saving

- Do not place the appliance near cookers, radiators or other heat sources. If the ambient temperature is high, the compressor will run more frequently and for longer, resulting in increased energy consumption.
- Ensure that there is sufficient ventilation at the base of the appliance, on the sides of the appliance and at the back of the appliance. Never cover ventilation openings.
- Please also observe the spacing dimensions in the chapter "Installation".
- The arrangement of drawers, shelves and racks as shown in the illustration offers the most efficient use of energy and should therefore be retained as far as possible. All drawers and shelves should remain in the appliance to keep the temperature stable and save energy.
- To obtain a larger storage space (e.g. for large refrigerated/frozen goods), the middle drawers can be removed. The top and bottom drawers and shelves should be removed last if necessary.
- An evenly filled refrigerator/freezer compartment contributes to optimal energy use. Therefore, avoid empty or half-empty compartments.
- Allow warm food to cool before placing it in the refrigerator/freezer. Food that has already cooled down increases energy efficiency.
- Allow frozen food to defrost in the refrigerator. The coldness of the frozen food reduces the energy consumption in the refrigerator compartment and thus increases the energy efficiency.
- Open the door only as briefly as necessary to minimise cold loss. Opening the door briefly and closing it properly reduces energy consumption.
- The door seals of your appliance must be perfectly intact so that the doors close properly and energy consumption is not increased unnecessarily.

OPERATION INSTRUCTIONS

Control panel



EN

	Display		Button
1	Refrigerating icon	A	Temperature up button
2	Freezer icon	B	Temperature zone selection button
3	Wireless Network icon	C	Temperature down button
4	Temperature display icon	D	Super cool/FRZ. button
5	Filter replacement reminder icon	E	Ice maker button
6	Super cool icon	F	Lock/Unlock button
7	Ice on icon		
8	Super freezer icon		

Display

- When electrify the refrigerator, the display screen will totally display for 3 seconds, meanwhile the starting up bell rings, then the display screen enters the normal display of operation. (if power-on for first time, the default set temperature of the refrigerator room and the freezer room is 39 °F / 0 °F).
- It will display the set temperature of both refrigerator and freezer rooms when there is no fault.



ATTENTION

The actual control panel may differ from model to model.




- Under normal circumstances, the display light will go out after 30 seconds in lock state, button operation on display panel would wake up the display screen; if the opening door action wakes up the display screen, the display light would go out immediately when the door is closed; when the "fault code visible" type of fault occurs, the display screen lights up, and will go out after 30 seconds.

Operating instructions


Lock/Unlock

- In the unlock state, press and hold the button  for 3 seconds to enter the lock state and the buzzer sound rings.
- In the lock state, press and hold the button  for 3 seconds to enter the unlock state and the buzzer sound rings.
- It will enter the lock state if there is no opening door action or any buttons operation within 30 seconds.
- The alarm sound can be stopped by pressing any one button in lock state, but all other button operations need to be performed in unlock state. If you operate in the lock state.


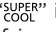

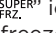



Refrigerator temperature setting

- Click the button  to change the set temperature of refrigerator room, Each time click the \vee or \wedge , the set temperature will drop 1°F or will rise 1°F. The temperature setting will take effect after the display panel is locked.
- Long press the  and  4s to close or open the cold storage room.


Freezer temperature setting

- Click the button  to change the set temperature of freezer room, Each time click the \vee or \wedge , the set temperature will drop 1°F or will rise 1°F. The temperature setting will take effect after the display panel is locked.


Mode setting

- Press the  button to start the super cool function. The refrigerator room is set at 34°F automatically, and the  icon shines. When exit the super cool mode, the set temperature of refrigerator room will go back to the set temperature before super cool mode.
- Press the  button to start the super freeze function. The freezer room is set at -7°F automatically, and the  icon shines. When exit the super freeze mode, the set temperature of freezer room will go back to the set temperature before super freeze mode.
- Press the switch button  to set/cancel the function of the ice maker. When the function setting of the ice maker is effective, the indicator light of the ice maker will be on, otherwise it will be off.
- Long press the  and  4s to close or open the ice making room.


Filter element time reset

- Hold down  for 3 seconds to perform the “RESET FILTER” function. At this time, the FILTER the element data is cleared.


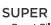
Celsius transformation

- Long press the  3S to achieve Celsius Fahrenheit conversion function.





Forcing AP mode

- Long press  for 3s to forcibly set the wireless network module of the refrigerator to AP mode and display AP in the temperature display area. After the module enters AP mode successfully, it automatically exits AP mode, and the temperature display area restores to normal temperature display.

Sabbath mode

- Press simultaneousl the  and  for 3s to enter or exit the Sabbath mode.
- If the refrigerator is connected to the Internet, you can enter or exit the Sabbath mode through the corresponding function buttons in the Smart Home refrigerator control interface, and the APP can select the automatic exit time.
- 6s after entering the Sabbath mode lock, the display goes out, the buzzer does not sound, the door opening lamp does not light up, and the distributor only displays the selected function in low brightness.
- When the APP terminal enters the Sabbath function, the APP terminal may send a command to turn off the ice maker function at the same time.

Anti-condensation heating element on/off mode.

- Press the  and  for 4 seconds, the Hua Celsius icon flashed, and then press the button , and the anti-condensation heating wire shutdown function is successfully set.
- Under the above settings, unlock and enter again, continue to press the and  for 4s, the Hua Celsius icon no longer flashes, press the button to release the anti-condensation heating element off function.

Open door prompt sound switch

- At the same time, press  and  button 4s, close or open the door prompt tone.

ATTENTION

- If the rear door is not closed after power-on, the APP or machine will give an alarm, call three times after exceeding 2 minutes, and then add one alarm every 1 minute.

Fault indication

- When the following tips to appear on the display screen, it indicates a problem with the refrigerator. Although the refrigerator in the following fault case can still provide cool/freeze functions, but the user should contact maintenance personnel, ensure the normal use of refrigerator.

Fault Code	Fault Description
E1	Temperature sensor failure of refrigerator room
E2	Temperature sensor failure of freezer room
E5	Defrost sensor error of freezer room
E6	Communication error
E7	Ambient temperature sensor error
EH	The humidity sensor fails
F4	The sensor at the bottom of refrigerating ice maker fails
F5	Refrigerating ice maker fails to turn over ice
CC	The defrosting sensor in ice making chamber fails
C9	The sensor in ice making chamber fails
CA	The communication between main control board and ice making board fails

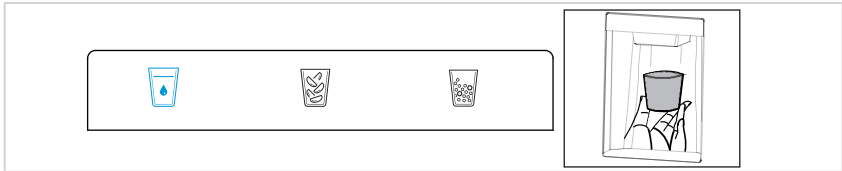
ATTENTION

The quick-freezing function is designed to maintain the nutritional value of the food in the freezer. It can freeze the food in the shortest time. If a large amount of food is frozen at one time, it is recommended that the user turn on the quick-freezing function and put the food in. At this time, the freezing speed of the freezer compartment is increased, which can quickly freeze the food, effectively lock the nutrition of the food, and facilitate storage.

Fetching water and Ice

- The ice/water dispenser is located on the outside of refrigerating chamber door. It offers a choice of cubed or crushed ice, or cold water. The dispenser only works when the refrigerating chamber door is closed.

1. Fetching cold water



- Keep pressing the buttons WATER until the indicator turns on.
- Push the container in the direction of fetching water cushion, Cold water starts to flow into the container.
- Remove the container from fetching water cushion and end the exporting of water.

2. Fetching crushed ice



- Keep pressing the buttons of CRUSHED until the signal turns up.
- Make the container tight with mouth of water dispenser to prevent the side jet.
- Press the container in the direction of fetching water cushion. Fill the container with crushed ice.
- Remove the container from fetching water cushion and end the exporting of water.

3. Fetching ice cubes



- Keep pressing the buttons CUBED until the signal lights up.
- Push the container in the direction of fetching water cushion, Ice cubes start to fall into the container.
- Remove the container from fetching water cushion and end the exporting of ice.

● ATTENTION

- When the user presses to fetch water/ice, there will be a 2s delay.
- When taking ice, the user should try to keep the container close to the ice outlet to prevent the ice from splashing.

OPEN API

1. Demand response
 - Get the current pattern POST /v1/api/plugin/getDemandResponseInfo.
 - Accepts DAL signals POST /v1/api/plugin/demandResponse/dal.
 - Accepts TALR signals POST /v1/api/plugin/demandResponse/dal.
2. Energy consumption report
 - Get the energy statistics report POST /v1/api/plugin/getEnergyStatistics Rep.
3. Delay defrosting
 - Control switch interface POST /v1/api/plugin/switchDelayDefrost.
 - Get the delay interval POST /v1/api/plugin/getDelayDefrostInfo.
 - Added delay interval POST /v1/api/plugin/saveDelayDefrostInfo.
 - Remove the delay interval POST /v1/api/plugin/deleteDelayDefrostInfo.
4. Refrigerator self-inspection
 - Get refrigerator health status information POST /v1/api/plugin/getFridgeCurrentHeath.
5. Sabbath mode
 - Set the Sabbath mode POST /v1/api/plugin/setSabbathMode.

ATTENTION

The application (MSmartHome) interface (about the demand response interface) allows the user to operate according to the smart grid signal intervention mode

Tips on storing food

Freezer compartment

- The freezer is designated for the storage of food frozen at very low temperature, long-term storage of frozen food, and for the production of ice.
- Only use the shelves in the door of the freezer to store frozen food, not for storing hot food designated for freezing.
- Do not put fresh and frozen food next to each other. The frozen food may thaw.
- When freezing fresh food (such as meat, fish or chopped meat), cut them into parts that can be used at the same time.
- Storing frozen food: instructions are usually stated on the packages, which must be followed. If there is no information on the packaging, food should not be stored for longer than three months from the date of purchase.
- When purchasing frozen food, make sure that it was frozen at a suitable temperature and that the packaging is not damaged.
- Frozen food should be kept in suitable packages to retain the quality and should be returned to the freezer compartment as soon as possible.
- If a package of frozen food shows moisture or abnormal bulging, it is probable that it was stored at the wrong temperature and the content is spoiled.
- The storage period for frozen food depends on the room temperature, the thermostat setting, the frequency of opening the door of the freezer, the type of food and the time of transporting the product from the shop to the household. Always follow the instructions printed on the packaging and never exceed the maximum storage time stated on the package.

Cooling compartment

- To reduce moisture and subsequent ice build-up, never put liquid into the refrigerator in unsealed containers. Frost tends to concentrate in the coolest parts of the evaporator. Storing uncovered liquids results in a more frequent need for defrosting.
- Never put warm foods in the refrigerator. These should first cool down at room temperature and then be placed so as to ensure adequate air circulation in the refrigerator.
- Foods or food containers should not touch the back wall of the refrigerator because they could freeze to the wall. Do not keep regularly opening the door of the refrigerator.
- Meat and clean fish (packed in a package or plastic foil) can be placed in the refrigerator, which can be used in 1-2 days.
- Fruit and vegetables without packaging can be placed in the part designated for fresh fruit and vegetables.

Recommended Temperature

The optimal temperature setting for food storage:

- Fridge: 4 °C(39 °F), Freezer: -18 °C(0 °F)

ATTENTION

The optimal temperature setting of each compartment depends on the ambient temperature. Above optimal temperature is based on the ambient temperature of 25 °C.

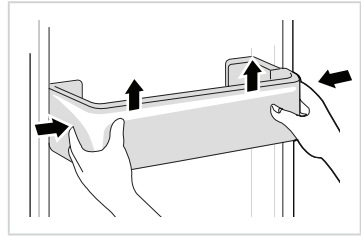
CLEANING AND MAINTENANCE

Defrosting

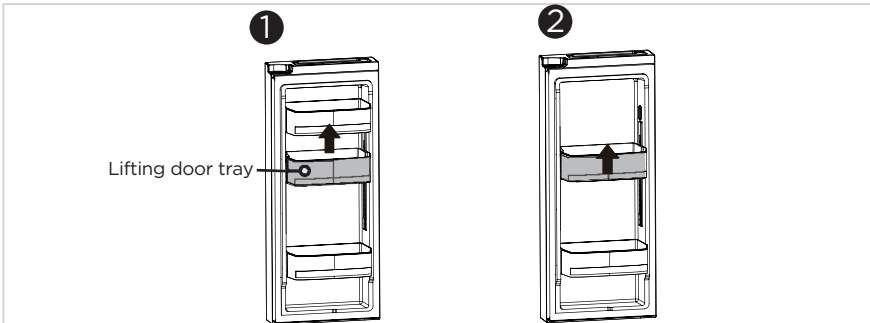
- The refrigerator is made based on the air-cooling principle and thus has automatic defrosting function. Frost formed due to change of season or temperature may also be manually removed by disconnection of the appliance from power supply or by wiping with a dry towel.

Cleaning of door tray

- According to the direction arrow in the figure below, use both hands to squeeze the tray, and push it upward, then you can take it out.
- After washing the tray having been taken out, you can adjust its installing height in accordance with your requirement.



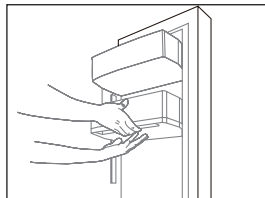
Removal of lifting door tray



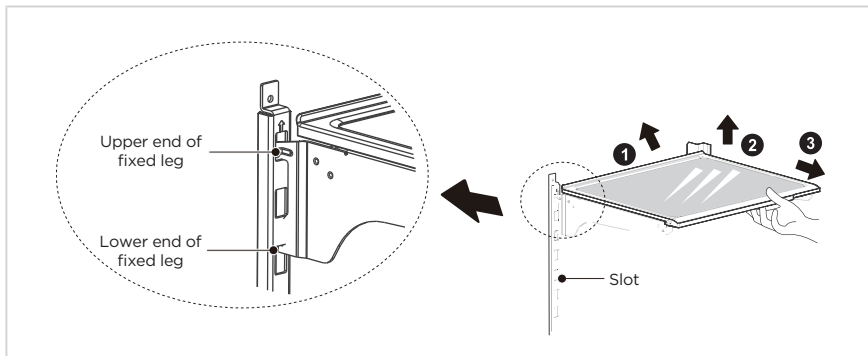
- Take down the first layer of bottle frame, pull the handle backward, unlock the lifting bottle frame, and take it down.

● ATTENTION

- Usage: using both hands to support the adjustable door tray, squeeze and hold the trigger underneath.
- Position bin to the desired height, and release the trigger to lock in place. Always confirm bin is secure after moving.



Cleaning of glass shelf



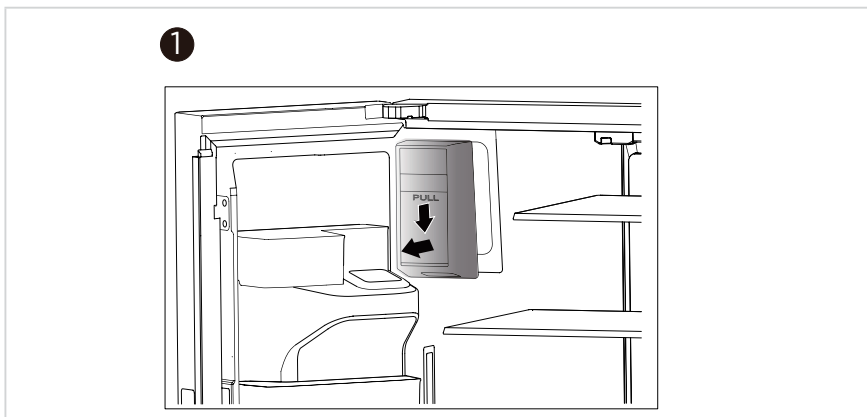
Please dismantle the cantilever shelf according to the arrows shown as above:

1. Please hold the front edge of shelf, and tilt the shelf inwards until the lower end of fixed leg is separated from the slot of supporting iron;
2. Uplift the whole shelf until it can not rise anymore;
3. Take out the shelf horizontally.

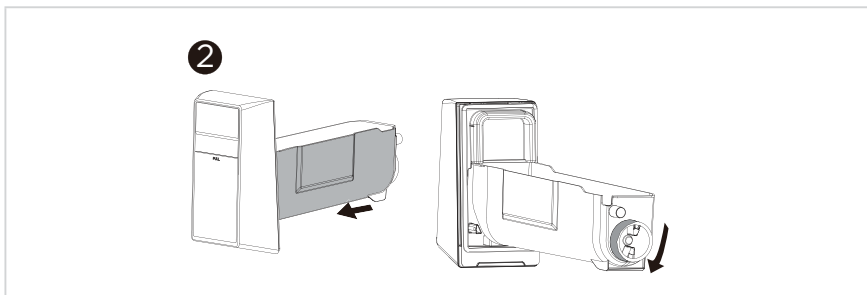
During installation, put the upper end of the fixed leg into one of the upper slots on the supporting iron first and then put the lower end of the fixed leg into the third slot on the lower part of the supporting iron.

Cleaning of ice storage box

- When you need to use a lot of ice, or take ice abnormally, or need to clean the ice storage box, you can take out the ice storage box, but please put it back in time.



- Hold the button of the ice storage box with your hand, press it gently, and then pull it out horizontally.

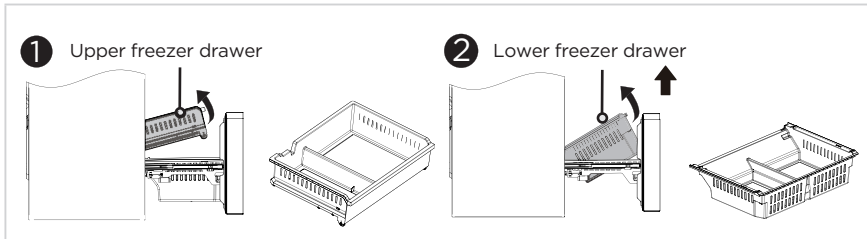


- Push the ice storage box in slightly after cleaning

ATTENTION

- In the process of pulling out, if ice cubes fall into the ice making room, please clean it up in time.
- If the ice cubes are not used for a long time, please clean them up in time.
- When you need to use a lot of ice cubes, take abnormal ice or need to clean the ice storage box, you can take out the ice storage box and put it back in time.
- When the ice storage box cannot be installed in place, rotate the tail as illustrated to align it with the corresponding position in the ice tank.

Cleaning of freezer drawer



Upper freezer drawer:

- Open the freezing chamber door to the maximum stroke, lift the tail of the upper drawer of the freezing chamber, take out the upper freezer drawer.

Lower freezer drawer:

- Open the freezing chamber door to the maximum stroke, lift the end of the lower freezer drawer and lift it up.

⚠ ATTENTION

Note: Don't remove the lower freezer drawer if not necessary.

Stop using

Power failure:

In case of power failure, even if it is in summer, foods inside the appliance can be kept for several hours; during the power failure, the times of door opening shall be reduced, and no more fresh food shall be put into the appliance.

Long-time nonuse:

The appliance shall be unplugged and then cleaned; then the doors are left open to prevent odor.

Moving:

Before the refrigerator is moved, take all objects inside out, fix the glass partitions, vegetable holder, freezing chamber drawers and etc. with tape, and tighten the leveling feet; close the doors and seal them with tape. During moving, the appliance shall not be laid upside down or horizontally, or be vibrated; the inclination during movement shall be no more than 45°.

⚠ ATTENTION

The appliance shall run continuously once it is started. Generally, the operation of the appliance shall not be interrupted; otherwise the service life may be impaired.

Foods can be preserved for a couple of hours even in summer in case of power failure; it is recommended to reduce the frequency of opening door.

TROUBLESHOOTING

The following simple issues can be handled by the user. Please call the after-sale service department if the issues are not solved.

Problem	Possible reason
Failed operation	<ul style="list-style-type: none"> • Check whether the appliance is connected to power or whether the plug is in well contact
	<ul style="list-style-type: none"> • Check whether the voltage is too low
	<ul style="list-style-type: none"> • Check whether there is a power failure or partial circuits have tripped
Odor	<ul style="list-style-type: none"> • Odorous foods shall be tightly wrapped
	<ul style="list-style-type: none"> • Check whether there is any rotten food
	<ul style="list-style-type: none"> • Clean the inside of the refrigerator
Long-time operation of the compressor	<ul style="list-style-type: none"> • Long operation of the refrigerator is normal in summer
	<ul style="list-style-type: none"> • when the ambient temperature is high It is not suggestible having too much food in the appliance at the same time
	<ul style="list-style-type: none"> • Food shall get cool before being put into the appliance
	<ul style="list-style-type: none"> • The doors are opened too frequently
Light fails to get lit	<ul style="list-style-type: none"> • Check whether the refrigerator is connected to power supply and whether the illuminating light is damaged
	<ul style="list-style-type: none"> • Have the light replaced by a specialist
Door can not be properly closed	<ul style="list-style-type: none"> • The door is stuck by food packages Too much food is placed
	<ul style="list-style-type: none"> • The refrigerator is tilted.
Loud noises	<ul style="list-style-type: none"> • Check whether the floor is level and whether the refrigerator is placed stably
	<ul style="list-style-type: none"> • Check whether accessories are placed at proper locations

EN

Problem	Possible reason
Door seal fails to be tight	<ul style="list-style-type: none"> • Remove foreign matters on the door seal • Heat the door seal and then cool it for restoration (or blow it with an electrical drier or use a hot towel for heating)
Water pan overflows	<ul style="list-style-type: none"> • There is too much food in the chamber or food stored contains too much water, resulting in heavy defrosting • The doors are not closed properly, resulting in frosting due to entry of air and increased water due to defrosting
Hot housing	<ul style="list-style-type: none"> • Heat dissipation of the built-in condenser via the housing, which is normal when housing becomes hot due to high ambient temperature, storage of too much food or shutdown of the compressor is shut down, provide sound ventilation to facilitate heat dissipation
Surface condensation	<ul style="list-style-type: none"> • Condensation on the exterior surface and door seals of the refrigerator is normal when the ambient humidity is too high. Just wipe the condensate with a clean towel.
Abnormal noise	<ul style="list-style-type: none"> • Buzz: The compressor may produce buzzes during operation, and the buzzes are loud particularly upon start or stop. This is normal. • Creak: Refrigerant flowing inside of the appliance may produce creak, which is normal.

EN

DOC AND CERTIFICATIONS

Federal Communications Commission (FCC) Compliance Statement for USA

This device complies with part 15 of the FCC rules. Operation is subject to the following two conditions: (1) This device may not cause harmful interference, and (2) this device must accept any interference received, including interference that may cause undesired operation.

Note: This equipment has been tested and found to comply with the limits for a Class B digital device, pursuant to part 15 of the FCC Rules. These limits are designed to provide reasonable protection against harmful interference in a residential installation. This equipment generates, uses and can radiate radio frequency energy and, if not installed and used in accordance with the instructions, may cause harmful interference to radio communications. However, there is no guarantee that interference will not occur in a particular installation. If this equipment does cause harmful interference to radio or television reception, which can be determined by turning the equipment off and on, the user is encouraged to try to correct the interference by one or more of the following measures:

- Reorient or relocate the receiving antenna.
- Increase the separation between the equipment and receiver.
- Connect the equipment into an outlet on a circuit different from that to which the receiver is connected.
- Consult the dealer or an experienced radio/TV technician for help.

This equipment complies with FCC radiation exposure limits set forth for an uncontrolled environment.

Industry Canada (IC) Compliance Statement for Canada

This device complies with Industry Canada license-exempt RSS standard(s). Operation is subject to the following two conditions: (1) this device may not cause interference, and (2) this device must accept any interference, including interference that may cause undesired operation of the device.

CAN ICES-003(B)/NMB-003(B)

Midea is not responsible for any changes or modifications not expressly approved by Midea. Such modifications could void the user's authority to operate the equipment.

For model: **MWB-S-WB01**

FCC ID: **2ADQOMWB-SWB01**



MIDEA REFRIGERATOR LIMITED WARRANTY

ATTACH YOUR RECEIPT HERE. PROOF OF PURCHASE IS REQUIRED TO OBTAIN WARRANTY SERVICE.

Please have the following information available when you call the Customer Service Center:

- Name, address and telephone number
- Model number and serial number
- A clear, detailed description of the problem
- Proof of purchase including dealer or retailer name and address

IF YOU NEED SERVICE:

1. Before contacting us to arrange service, please determine whether your product requires repair. Some questions can be addressed without service. Please take a few minutes to review the Troubleshooting section of the User Manual, or visit <http://us.Midea.com/support>
2. All warranty service is provided exclusively by our authorized Midea Service Providers, in the U.S. and Canada.

Midea Customer Service

In the U.S.A. or Canada, call 1-866-646-4332.

If outside the 50 States of the United States or Canada, contact your authorized Midea dealer to determine whether another warranty applies.

1 YEAR PARTS AND LABOR

WHAT IS COVERED

FIRST YEAR LIMITED WARRANTY (PARTS AND LABOR)

Midea will repair or replace, without charge, any defects due to faulty materials or workmanship for one full year from the date of purchase. 8-12 years updates and technical supports will be available which may help customers plan to securely use and maintain the device for an appropriate amount of time. For further detail of warranty coverage and warranty repair information, visit www.midea.com or call **1-866-646-4332**.

Consumer will be responsible for:

- Diagnostics, removal, transportation and reinstallation cost required because of service.
- Costs of service calls that are a result of items listed under **NORMAL RESPONSIBILITIES OF THE CONSUMER****

NORMAL RESPONSIBILITIES OF THE CONSUMER**

This warranty applies only to products in ordinary household use, Home owners and Individual home users are the expected customers for this device, and the consumer is responsible for the items listed below:

1. Proper use of the appliance in accordance with the instructions provided with the product.
2. Routine maintenance and cleaning necessary to keep the good working condition.
3. Proper installation by an authorized service professional in accordance with instructions provided with the appliance and in accordance with all local plumbing, electrical and / or gas codes.
4. Proper connection to a grounded power supply of sufficient voltage, replacement of blown fuses, repair of loosened connections or defects in house wiring.
5. Expenses for making the appliance accessible for servicing.
6. Damages to finish after installation.

YOUR SOLE AND EXCLUSIVE REMEDY UNDER THIS LIMITED WARRANTY SHALL BE PRODUCT REPAIR OR REPLACEMENT AS PROVIDED HEREIN. Service must be provided by a Midea designated service company. This limited warranty is valid only in the 50 States of the United States or Canada and applies only when the major appliance is used in the country in which it was purchased. This limited warranty is effective from the date of original consumer purchase. Proof of original purchase date is required to obtain service under this limited warranty.

WHAT IS NOT COVERED

1. Failure caused by damage to the unit while in your possession (other than damage caused by defect or malfunction), by its improper installation, or by unreasonable use of the product, including without limitation, failure to provide reasonable and necessary maintenance or to follow the written Installation and Instruction Manual.
2. Products purchased "as-is" or refurbished are not covered by this warranty.
3. Food loss caused by refrigerator or freezer failure.
4. Service calls to repair or replace consumables such as water filters, light bulbs, air filters etc., or handles, knobs and other cosmetic parts.
5. Product that has been transferred from its original owner.
6. Interior or exterior rust on the unit.
7. Damages caused by services performed by persons other than authorized Midea servicers; use of parts other than Midea replacement parts; obtained from persons other than such Midea customer service; or external causes such as abuse, misuse, inadequate power supply or acts of God.
8. Service calls resulting from improper installation of your product.
9. Service calls to instruct you on the use of your product.
10. Surcharges including, but not limited to, any after hour, weekend, or holiday service calls, tolls, ferry trip charges, or mileage expense for service calls to remote areas, including the state of Alaska.
11. If the unit is put to commercial, business, rental, or other use or application other than for consumer use, we make no warranties, express or implied, including but not limited to, any implied warranty of merchantability or fitness for particular use or purpose.
12. Product that has been removed outside the USA or Canada.
13. Products without original serial numbers or products that have serial numbers which have been altered or cannot be readily determined.

NOTE: Some states do not allow the exclusion or limitation of incidental or consequential damages. So this limitation or exclusion may not apply to you.

The cost of repair or replacement under these excluded circumstances shall be borne by the customer.

DISCLAIMER OF IMPLIED WARRANTIES

IMPLIED WARRANTIES, INCLUDING ANY IMPLIED WARRANTY OF MERCHANTABILITY OR IMPLIED WARRANTY OF FITNESS FOR A PARTICULAR PURPOSE, ARE LIMITED TO ONE YEAR OR THE SHORTEST PERIOD ALLOWED BY LAW. Some states and provinces do not allow limitations on the duration of implied warranties of merchantability or fitness, so this limitation may not apply to you. This warranty gives you specific legal rights, and you also may have other rights that vary from state to state or province to province.

DISCLAIMER OF REPRESENTATIONS OUTSIDE OF WARRANTY

Midea makes no representations about the quality, durability, or need for service or repair of this major appliance other than the representations contained in this warranty. If you want a longer or more comprehensive warranty than the limited warranty that comes with this major appliance, you should ask Midea or your retailer about buying an extended warranty.

LIMITATION OF REMEDIES; EXCLUSION OF INCIDENTAL AND CONSEQUENTIAL DAMAGES

YOUR SOLE AND EXCLUSIVE REMEDY UNDER THIS LIMITED WARRANTY SHALL BE PRODUCT REPAIR AS PROVIDED HEREIN. MIDEA SHALL NOT BE LIABLE FOR INCIDENTAL OR CONSEQUENTIAL DAMAGES. Some states and provinces do not allow the exclusion or limitation of incidental or consequential damages, so these limitations and exclusions may not apply to you. This warranty gives you specific legal rights, and you also may have other rights that vary from state to state or province to province.

05/19

EN



Réfrigérateur de fond à portes françaises

Alimentation électrique : 115 VCA
Fréquence : 60 Hz
Capacité : 29,3 pi³

Avertissement :
Avant d'utiliser ce produit, il faut lire attentivement ce manuel et le conserver pour toute référence future. La conception et les spécifications sont indiquées sous réserve de modifications dans le cadre d'amélioration du produit. Consultez le revendeur ou le fabricant pour plus de détails.

version A - 02 - 2023

GUIDE D'UTILISATION



Extension gratuite de 3 mois sur la période de garantie limitée originale !* Il suffit d'envoyer une photo de votre justificatif d'achat par SMS au :

1-844-224-1614

*L'extension de garantie est valide pendant les trois mois qui suivent immédiatement la fin de la période de garantie originale de l'appareil. Les consommateurs n'ont pas besoin d'enregistrer l'appareil pour bénéficier de tous les droits et recours offerts aux propriétaires enregistrés dans le cadre de la garantie limitée originale.

NUMÉRO DE MODÈLE
MRF29D3ABB
MRF29D3AST
MRF29D3AWW
www.midea.com



MSmartHome

Télécharger
l'application et
activer l'appareil

LANGUES

FR

Français

LETTRE DE REMERCIEMENT

Nous vous remercions d'avoir choisi Midea ! Avant d'utiliser votre nouveau produit Midea, il faut lire attentivement ce manuel pour bénéficier des caractéristiques et fonctions de ce nouvel appareil en toute sécurité.

SOMMAIRE

LETTRE DE REMERCIEMENT	04
CARACTÉRISTIQUES.....	05
PRÉSENTATION DU PRODUIT	06
INSTALLATION DU PRODUIT	07
MODE D'EMPLOI.....	14
NETTOYAGE ET ENTRETIEN.....	21
DÉPANNAGE.....	25
DOC ET CERTIFICATIONS.....	27
GARANTIE	28

CARACTÉRISTIQUES

Modèle du produit	MRF29D3AST, MRF29D3AWW, MRF29D3ABB
Volume	29,3 pi ³ (828 l)
Tension nominale	115 VCA
Fréquence nominale	60 Hz
Intensité nominale	2,7 A
Puissance nominale de dégivrage	280 W
Réfrigérant	R600a
Quantité	2,75 onces (78 g)
Dimensions de l'appareil	35,8 x 36,1 x 69,9 po (91,0 x 91,7 x 177,5 cm)



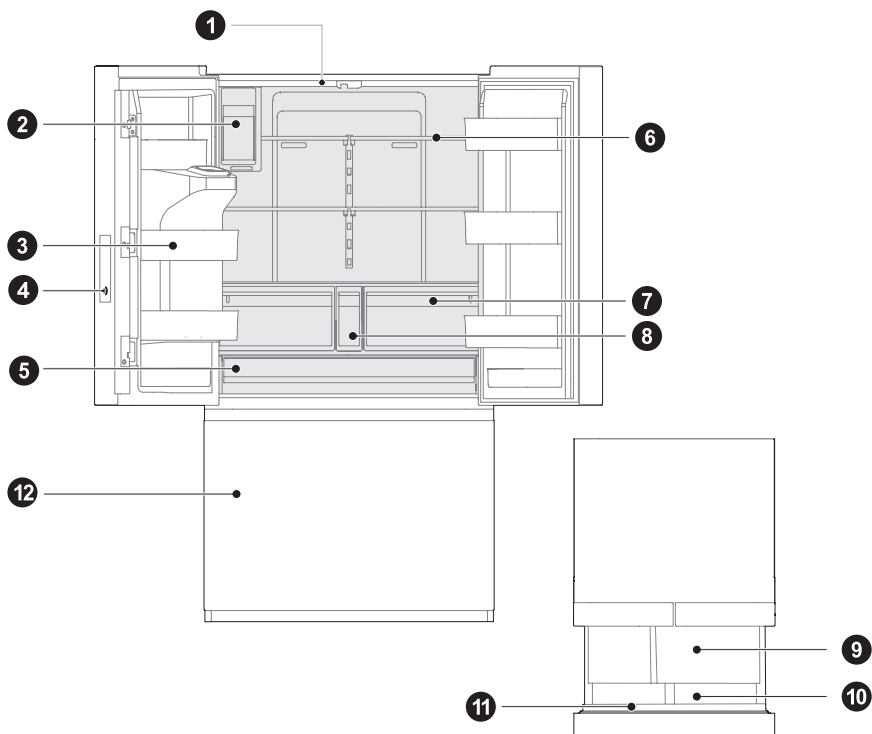
MSmartHome

Modèle de module de réseau sans fil	MWB-S-WB01
Type d'antenne	Antenne à circuit imprimé
Bande de fréquence	2 400-2 483,5 MHz
Température de fonctionnement	0 °C - 85 °C /32 °F -185 °F Humidité de fonctionnement : 10 %-85 %
Alimentation électrique	5 VCC/500 mA maximum Puissance de transmission : <20 dBm

FR

PRÉSENTATION DU PRODUIT

Nom des pièces



FR

- | | | | |
|---|---------------------|----|---------------------------------|
| 1 | Lumière LED | 7 | Tiroir à légumes |
| 2 | Fabrique de glaçons | 8 | Petit tiroir |
| 3 | Balconnets de porte | 9 | Tiroir supérieur du congélateur |
| 4 | Panneau de commande | 10 | Tiroir inférieur du congélateur |
| 5 | Grand tiroir | 11 | Bac de congélation |
| 6 | Étagère | 12 | Tiroir du congélateur |

● ATTENTION

- L'image ci-dessus est donnée uniquement à titre de référence. La configuration réelle dépend du produit physique ou de la notice du distributeur
- Les petits tiroirs sont conçus pour recevoir des articles adaptés à leur taille, comme des cartons de lait plus petits.

INSTALLATION DU PRODUIT

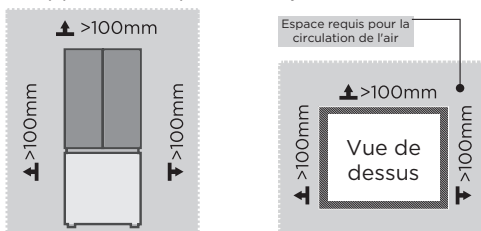
Instructions d'installation

Trouver un emplacement approprié

- Ce réfrigérateur est conçu pour être autonome uniquement et ne doit pas être avec retrait ou encastré.
- Le réfrigérateur doit être placé à l'intérieur dans un endroit bien ventilé ; le sol doit être plat et solide.
- Évitez la chaleur et la lumière directe du soleil. Ne placez pas le réfrigérateur dans des endroits humides ou aqueux pour éviter la rouille ou la réduction de l'isolation.

Dimensions et dégagements

- Une distance trop petite des éléments adjacents peut entraîner une dégradation de la capacité de congélation et une augmentation des coûts d'électricité. Lors de l'installation de l'appareil, il faut laisser plus de 100 mm de dégagement par rapport à chaque mur adjacent.



FR

Fournir une alimentation électrique appropriée

- Vérifiez votre source d'alimentation locale. Ce réfrigérateur nécessite une alimentation électrique **115 VAC, 60 Hz**.
- Utilisez une prise mise à la terre. Le cordon d'alimentation est équipé d'une fiche à 3 broches (mise à la terre) qui s'accouple avec une prise murale standard à 3 broches (mise à la terre) afin de réduire les risques d'électrocution.

MISE EN GARDE

Ce réfrigérateur doit être toujours branché sur une prise individuelle dont la tension nominale correspond à celle de la plaque signalétique. Ne débranchez jamais votre réfrigérateur en tirant sur le cordon d'alimentation. Il faut toujours tenir fermement la fiche et la tirer tout droit hors de la prise.

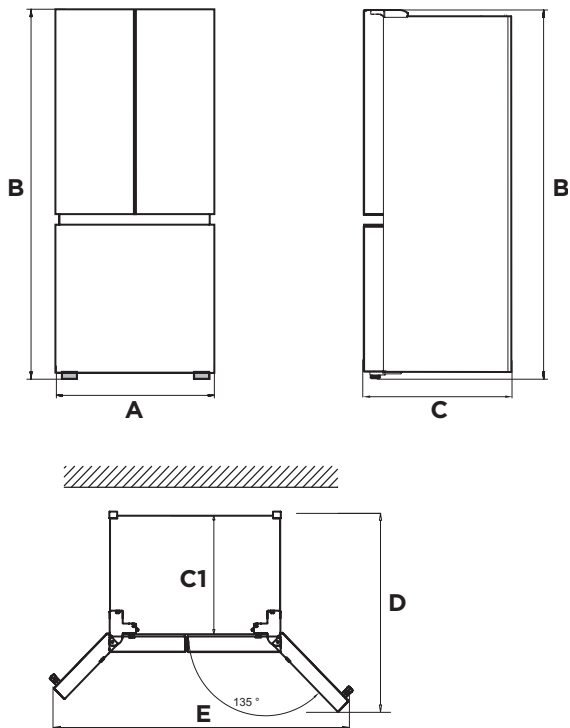
AVERTISSEMENT : Lors de l'installation de l'appareil, assurez-vous que le cordon d'alimentation n'est pas coincé ou endommagé.

Commencer l'utilisation

- Lorsque vous voulez utiliser le réfrigérateur pour la première fois, il convient de le laisser une demi-heure avant de le brancher.

- Le réfrigérateur doit fonctionner 2 à 3 heures avant de charger des aliments frais ou surgelés ; il doit fonctionner pendant plus de 4 heures en été, étant donné que la température ambiante est élevée.

Diagramme d'encombrement (lorsque la porte est ouverte et lorsqu'elle est fermée)



FR

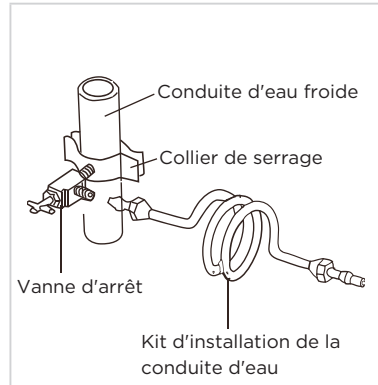
Largeur	Hauteur totale	Profondeur	Profondeur : Armoire uniquement	Profondeur avec porte ouverte à 135°	Largeur avec porte ouverte à 135°
A	B	C	C1	D	E
910	1775	862	745	1127	1596

Remarque : Toutes les cotes en mm

Installation de la conduite d'eau

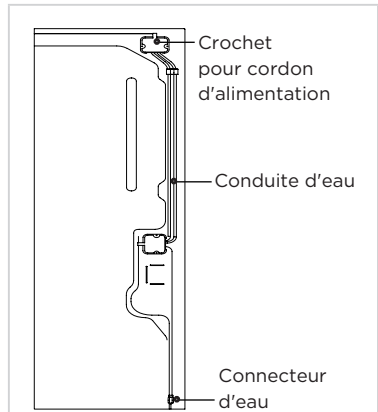
Installation de la conduite d'eau

- Des kits d'installation de la conduite d'eau sont disponibles en tant qu'accessoire supplémentaire auprès de votre revendeur ou dans une quincaillerie locale.
- Tout d'abord, fermez la conduite d'eau principale et éteignez la fabrique de glaçons.
 - Repérez la vanne d'alimentation en eau froide la plus proche.
 - Après avoir raccordé la conduite d'eau à la vanne d'eau, rouvrez votre conduite d'eau principale et faites couler plusieurs gallons d'eau pour déboucher la conduite d'eau.



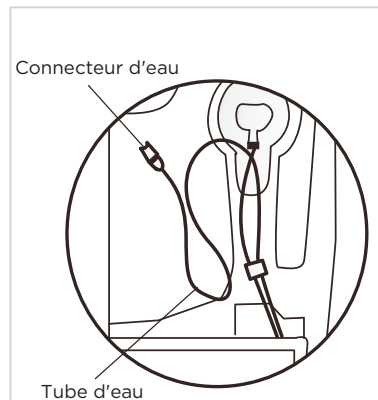
Raccordement de la conduite d'eau au réfrigérateur

- Vous devez acheter plusieurs articles pour effectuer ce raccordement.
 - Ces articles sont vendus sous forme de kit dans votre quincaillerie locale.
- Tout d'abord, fermez la conduite d'eau principale et repérez la conduite d'eau froide la plus proche.
 - Ensuite, raccordez la vanne d'eau à la conduite d'eau froide.
 - Ouvrez la vanne d'eau et vérifiez si elle présente des fuites.
 - Lorsque vous déplacez le réfrigérateur, vous pouvez accrocher le cordon d'alimentation au crochet prévu à cet effet.



Raccordement de la conduite d'eau à une source d'eau potable

- Si l'eau de votre conduite n'est pas potable, veuillez installer un filtre à eau externe.
- En cas de réparation ou de démontage de la conduite d'eau, coupez le tube en plastique pour vous garantir un raccordement bien ajusté et sans fuite.



● ATTENTION

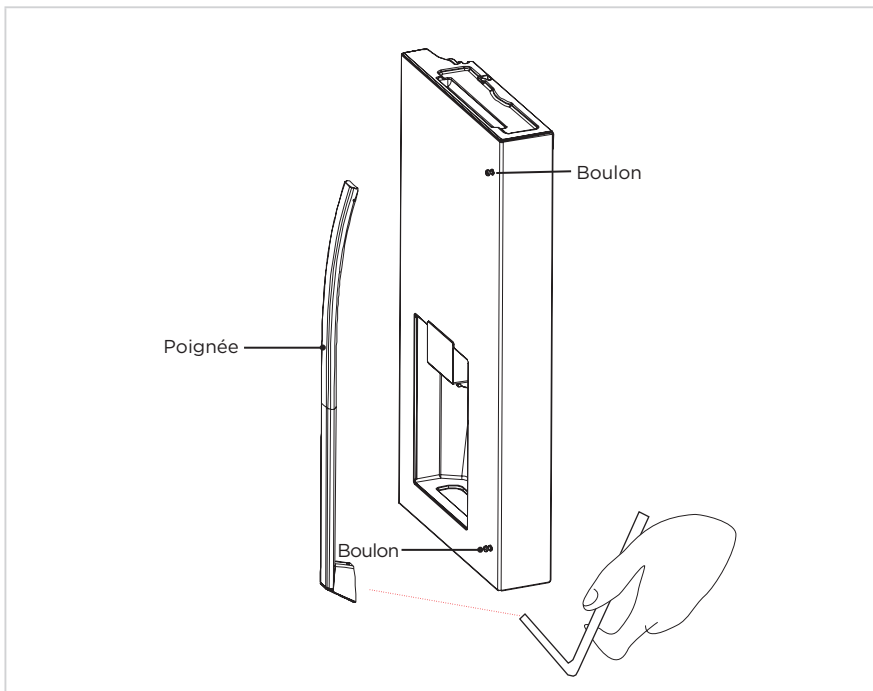
La pression d'entrée minimale de l'eau : 276 kPa.

Pression d'entrée maximale de l'eau : 689 kPa.

AVERTISSEMENT : À raccorder uniquement à l'alimentation en eau potable. Veuillez utiliser les nouveaux jeux de tuyaux fournis avec l'appareil et ne pas réutiliser les anciens jeux de tuyaux.

Installation de la poignée de porte

Veillez à prendre des précautions pour éviter que la chute de la poignée ne provoque des blessures corporelles.

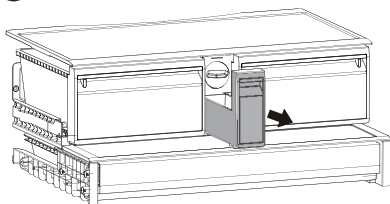


Étapes

1. Retirez d'abord les boulons de fixation de la poignée de l'emballage contenant le manuel d'utilisation, puis fixez-les sur la porte à l'aide d'un tournevis cruciforme.
2. Une fois la première étape terminée, retirez la poignée de la chambre de réfrigération, puis placez-la sur la porte dans le sens indiqué sur la figure et insérez les deux boulons de fixation dans la poignée.
3. Utilisez la clé à ergots pour fixer les vis dans les deux trous de chaque poignée ainsi que les boulons de fixation.

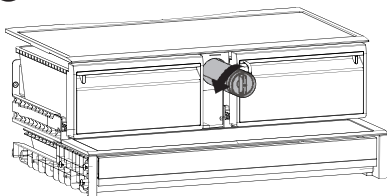
Installation du filtre

1



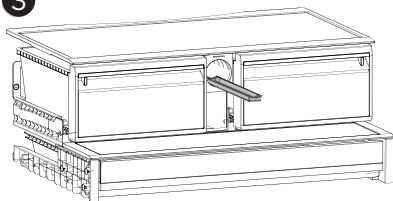
- Retirez le petit tiroir situé au milieu.

2



- Appuyez sur la molette du filtre et tournez-la de 90° dans le sens inverse des aiguilles d'une montre, ce qui permet de déconnecter le filtre du connecteur d'eau et de le retirer.

3



- Vérifiez le bac à eau sous la crépine avec votre doigt, extrayez et videz l'eau qui déborde.

FR

Pieds de nivellement

Pour éviter toute vibration, l'appareil doit être à niveau.

Si nécessaire, ajustez les vis de nivellement pour compenser l'irrégularité du sol.

L'avant doit être légèrement plus haut que l'arrière pour que la porte se ferme facilement.

Les vis de mise à niveau peuvent être facilement tournées en inclinant légèrement le caisson.

Tournez les vis de mise à niveau dans le sens antihoraire ↺ pour soulever l'appareil, dans le sens horaire ↻ pour l'abaisser.

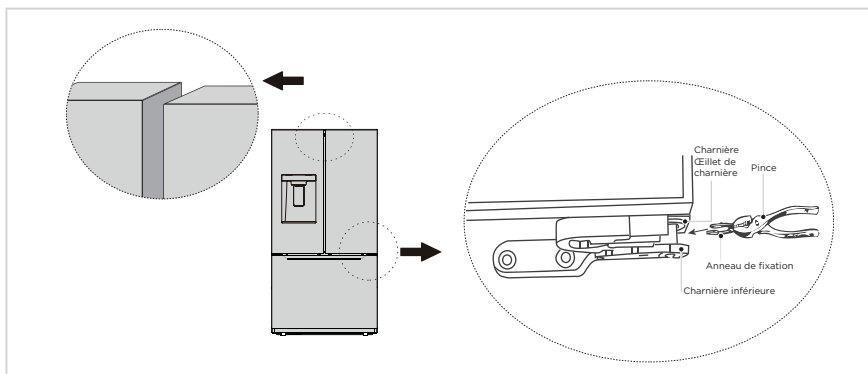
Nivellement des portes

Liste des outils à fournir par l'utilisateur



Pince

1. Soulevez la porte inférieure jusqu'au niveau de la porte supérieure.
2. Insérez l'anneau de fixation fourni à l'aide d'une pince dans l'espace compris entre l'œillet de charnière et la charnière inférieure. Le nombre d'anneaux de fixation que vous devez insérer dépend de l'espace.



Déplacement de l'appareil

1. Retirez tous les aliments de l'intérieur de l'appareil.
2. Débranchez la fiche d'alimentation, l'insérez et la fixer dans le crochet situé à l'arrière ou au-dessus de l'appareil.
3. Collez les pièces telles que étagères et poignée de porte pour éviter qu'elles ne tombent lorsque vous déplacez l'appareil.
4. Il faut plus de deux personnes pour déplacer l'appareil avec précaution. Il faut maintenir l'appareil vertical lors de son transport sur une longue distance.
5. Après avoir installé l'appareil, branchez la fiche dans une prise d'alimentation pour allumer l'appareil.

Changement de l'ampoule

- Tout remplacement ou entretien des lampes LED doit être effectué par le fabricant, un agent agréé ou une personne qualifiée.

Branchement de l'appareil

Après avoir installé l'appareil, branchez la fiche dans une prise d'alimentation pour allumer l'appareil.

ATTENTION

- Il faut attendre 2 à 3 heures avant de mettre des aliments dans l'appareil une fois le cordon d'alimentation (ou la fiche) branchée. Si des aliments sont mis dans l'appareil avant que n'ait complètement refroidi, ils risquent d'être abimés.

Précautions avant l'utilisation :

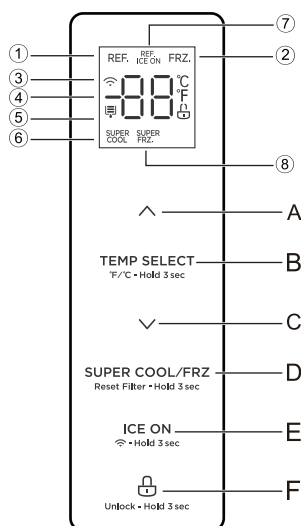
- Le réfrigérateur doit être débranché avant d'y apporter des modifications.
- Des précautions doivent être prises pour éviter toute blessure.

Conseils pour l'économie d'énergie

- Ne placez pas l'appareil à proximité de cuisinières, radiateurs et autres sources de chaleur. Si la température ambiante est élevée, le compresseur fonctionne plus fréquemment et plus longtemps, ce qui entraîne une augmentation de la consommation d'énergie.
- Assurez-vous qu'il y a une ventilation suffisante à la base, sur les côtés et à l'arrière de l'appareil. Il ne faut jamais couvrir les fentes de ventilation.
- Il faut également respecter les dégagements dans le chapitre « Installation ».
- La disposition des tiroirs, étagères et grilles comme indiqué sur l'illustration offre une utilisation efficace de l'énergie et doit donc être conservée autant que possible. Tous les tiroirs et étagères doivent rester dans l'appareil pour maintenir une température stable et économiser de l'énergie.
- Pour obtenir un plus grand espace de stockage (par ex. pour les gros aliments), les tiroirs du milieu peuvent être retirés. Les tiroirs supérieurs et inférieurs et les étagères doivent être retirés en dernier si nécessaire.
- Un compartiment réfrigérateur/congélateur rempli uniformément contribue à une utilisation optimale de l'énergie. Ainsi, il faut éviter les compartiments vides ou à moitié vides.
- Laissez refroidir les aliments chauds avant de les mettre dans le réfrigérateur/congélateur. Les aliments déjà refroidis augmentent l'efficacité énergétique.
- Il faut laisser les aliments surgelés décongeler au réfrigérateur. La froideur des aliments surgelés réduit la consommation d'énergie dans le compartiment réfrigérateur et augmente ainsi l'efficacité énergétique.
- Ouvrez la porte aussi brièvement que nécessaire pour réduire la perte de froid. Ouvrir brièvement la porte et la refermer correctement réduit la consommation d'énergie.
- Les joints de porte de l'appareil doivent être parfaitement intacts pour qu'elles se ferment correctement et ainsi ne pas augmenter inutilement la consommation d'énergie.

MODE D'EMPLOI

Panneau de commande



FR

	Affichage		Bouton
1	Icône de réfrigération	A	Bouton d'augmentation de la température
2	Icône de congélation	B	Bouton de sélection de la zone de température
3	Icône de réseau sans fil	C	Bouton de réduction de la température
4	Icône d'affichage de la température	D	Bouton de super refroidissement/ congélation
5	Icône de rappel du remplacement du filtre	E	Bouton de fabrication de glaçons
6	Icône de super refroidissement	F	Bouton de verrouillage/déverrouillage
7	Icône de glaçons		
8	Icône de super congélateur		

Affichage

- Lorsque le réfrigérateur est mis sous tension, l'écran s'affiche totalement pendant 3 secondes, tandis que le signal sonore de mise en marche retentit, puis l'écran passe en mode d'affichage normal. (si vous mettez l'appareil sous tension pour la première fois, la température par défaut de la chambre de réfrigération et de la chambre de congélation est définie à 39 °F / 0 °F).

- Il affiche la température de consigne des chambres de réfrigération et de congélation en l'absence de défaut.



ATTENTION

Le panneau de commande réel peut différer d'un modèle à l'autre.

- Dans des circonstances normales, le voyant d'affichage s'éteint après 30 secondes en état de verrouillage, l'actionnement d'un bouton sur le panneau d'affichage active l'écran d'affichage; si l'action d'ouverture de la porte active l'écran d'affichage, le voyant d'affichage s'éteint immédiatement lorsque la porte se ferme ; lorsque le défaut de type « code de défaut visible » se produit, l'écran d'affichage s'allume et s'éteint après 30 secondes.




Mode d'emploi

Verrouiller/Déverrouiller


- En mode déverrouillé, appuyez sur le bouton  pendant 3 secondes pour passer en mode verrouillé et vous entendrez l'alarme retentir.
- En mode verrouillé, appuyez sur le bouton  pendant 3 secondes pour passer en mode déverrouillé et vous entendrez l'alarme retentir.
- L'appareil passe en mode verrouillage si aucune action d'ouverture de porte ou d'actionnement de boutons n'est effectuée pendant 30 secondes.
- Vous pouvez arrêter l'alarme sonore en appuyant sur un bouton quelconque en mode verrouillé, mais toutes les autres opérations d'actionnement de bouton doivent être effectuées en mode déverrouillé. Si vous fonctionnez en mode verrouillé.

FR




Réglage de la température du réfrigérateur

- Cliquez sur le bouton  pour modifier la température de consigne dans le réfrigérateur. Chaque fois que vous cliquez sur le bouton \vee ou \wedge , la température de consigne baisse de 1 °F ou augmente de 1 °F. Le réglage de la température prend effet après le verrouillage du panneau d'affichage.
- Appuyez longuement sur les boutons  et  pendant 4 s pour fermer ou ouvrir la chambre frigorifique.

Réglage de la température du réfrigérateur

- Cliquez sur le bouton  pour modifier la température de consigne de la chambre de congélation. Chaque fois que vous cliquez sur le bouton \vee ou \wedge , la température de consigne baisse de 1°F ou augmente de 1°F. Le réglage de la température prend effet après le verrouillage de l'écran.

Réglage du mode

- Appuyez sur le bouton  pour activer la fonction de super refroidissement. La température de la chambre froide est automatiquement réglée à 34 °F et l'icône «  » s'allume. Lorsque vous quittez le mode de super refroidissement, la température du réfrigérateur revient à la température réglée avant le mode de super refroidissement.
- Appuyez sur le bouton  pour lancer la fonction de super congélation. La température de la chambre de congélation est automatiquement réglée à -7 °F

et l'icône « ^{SUPER}FRZ. » s'allume. Lorsque vous quittez le mode super congélation, la température de définie de la chambre de congélation revient à la température de consigne avant le mode de super congélation.

- Appuyez sur le bouton de commutation ^{ICE ON}
☰ • Hold 3 sec pour régler/annuler la fonction de la fabrique de glaçons. Lorsque le réglage de la fonction de la fabrique de glaçons est effectif, le voyant de cette dernière s'allume, dans le cas contraire, il s'éteint.
- Appuyez longuement sur les boutons ^{ICE ON}
☰ • Hold 3 sec et ^{TEMP SELECT}
F/C • Hold 3 sec 4 s pour fermer ou ouvrir la salle de fabrication de glace.

Heure de réinitialisation de l'élément filtrant

- Maintenez ce bouton ^{SUPER COOL/FRZ}
Reset Filter • Hold 3 sec enfoncé pendant 3 secondes pour exécuter la fonction « RÉINITIALISATION FILTRE ». À ce moment, les données de l'élément FILTRANT sont effacées.

Transformation de degrés Celsius

- Appuyez pendant 3 s le bouton ^{TEMP SELECT}
F/C • Hold 3 sec pour activer la fonction de conversion des degrés Celsius en Fahrenheit.

Forcer le mode AP

- Appuyez pendant 3 s sur le bouton ^{ICE ON}
☰ • Hold 3 sec pour forcer le module réseau sans fil du réfrigérateur à passer en mode AP et afficher AP dans la zone d'affichage de la température. Une fois que le module est entré en mode AP avec succès, il quitte automatiquement le mode AP, et la zone d'affichage de la température revient à l'affichage normal de la température.

Mode sabbat

- Appuyez simultanément sur les boutons ^{TEMP SELECT}
F/C • Hold 3 sec et ^{SUPER COOL/FRZ}
Reset Filter • Hold 3 sec pendant 3 secondes pour entrer ou sortir du mode sabbat.
- Si le réfrigérateur est connecté à Internet, vous pouvez entrer ou sortir du mode sabbat grâce aux boutons de fonction correspondants dans l'interface de commande du réfrigérateur Smart Home, et l'APP peut sélectionner l'heure de sortie automatique.
- 6 s après avoir activé le verrouillage du mode sabbat, l'écran s'éteint, l'alarme ne retentit pas, le voyant d'ouverture de porte ne s'allume pas, et le distributeur affiche uniquement la fonction sélectionnée avec un faible niveau de luminosité.
- Lorsque le terminal APP active la fonction Sabbat, il peut envoyer une commande pour désactiver la fonction de la fabrique de glaçons en même temps.

Mode marche/arrêt de l'élément chauffant anti-condensation.

- Appuyez sur les boutons [☰]
Unlock • Hold 3 sec et [∨] pendant 4 secondes, l'icône Hua Celsius clignote, puis appuyez sur le bouton [☰]
Unlock • Hold 3 sec, et la fonction d'arrêt de l'élément chauffant anti-condensation est réglée avec succès.
- Dans les paramètres ci-dessus, déverrouillez et entrez à nouveau, continuez à appuyer sur le bouton [☰]
Unlock • Hold 3 sec pendant 4 s, l'icône Hua Celsius ne clignote plus, appuyez sur le bouton pour désactiver la fonction d'arrêt de l'élément chauffant anti-condensation.

Interrupteur détecteur d'ouverture de porte

- Appuyez simultanément sur les boutons \vee et \wedge pendant 4 s, la fermeture ou l'ouverture de la porte est signalée par un signal sonore.

ATTENTION

- Si la porte arrière n'est pas fermée après la mise sous tension de l'appareil, l'APP ou la machine émet une alarme, émet trois appels après avoir dépassé 2 minutes, puis ajoute une alarme toutes les minutes.

Indication de panne

- Lorsque les indications suivantes apparaissent sur l'écran d'affichage, cela indique que le réfrigérateur a un problème. Bien que la fonction de refroidissement et de congélation puisse toujours fonctionner malgré les pannes suivantes, l'utilisateur doit contacter le personnel d'entretien afin de garantir un fonctionnement normal du réfrigérateur.

Code de panne	Description de la panne
E1	Panne du capteur de température de la chambre réfrigération
E2	Panne du capteur de température de la chambre de congélation
E5	Erreur de la sonde de dégivrage de la chambre de congélation
E6	Erreur de communication
E7	Erreur du capteur de température ambiante
EH	Le capteur d'humidité est en panne
F4	Le capteur en bas de la fabrique de glaçons réfrigérante est en panne.
F5	La fabrique de glaçons réfrigérante ne parvient pas à produire de glaçons.
CC	Le capteur de dégivrage de la chambre de fabrication de glace est en panne.
C9	Le capteur dans la chambre de fabrication de glace est en panne
CA	La communication entre la carte de contrôle principale et la carte de fabrication de glaçons ne passe pas.

FR

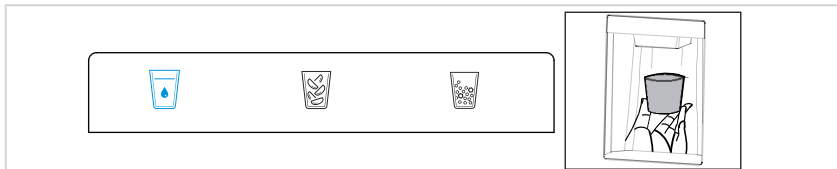
ATTENTION

La fonction de congélation rapide est conçue pour maintenir la valeur nutritionnelle des aliments dans le congélateur. Elle permet de congeler les aliments en peu de temps. Si une grande quantité d'aliments est congelée en même temps, il est recommandé à l'utilisateur d'activer la fonction de congélation rapide et de mettre les aliments à l'intérieur. À ce moment-là, la vitesse de congélation du compartiment de congélation augmente, ce qui permet de congeler rapidement les aliments, de conserver efficacement leur valeur nutritive et de faciliter leur conservation.

Distribution d'eau et de glace

- Le distributeur de glace et d'eau est situé à l'extérieur de la porte de la chambre de réfrigération. Il offre un choix entre cubes de glace, glace pilée ou eau froide. Le distributeur fonctionne uniquement lorsque la porte de la chambre de réfrigération est fermée.

1. Distribution d'eau froide

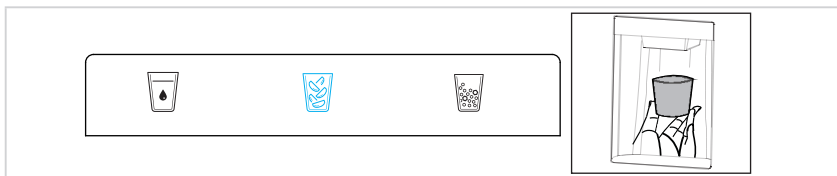


- Appuyez sur les boutons EAU jusqu'à ce que le voyant s'allume.
 - Poussez le récipient dans la direction du coussin de distribution d'eau, l'eau froide commence à couler dans le récipient.
 - Retirez le récipient du coussin de distribution d'eau et arrêtez la distribution d'eau
- ### 2. Distribution de glace pilée



- Appuyez sur les boutons PILÉE jusqu'à ce que le signal s'allume.
- Assurez-vous que le récipient est bien fixé au bec du distributeur d'eau pour éviter le jet latéral.
- Poussez le récipient dans le sens du coussin du distributeur d'eau. Remplissez le récipient de glace pilée.
- Retirez le récipient du coussin de distribution d'eau et arrêtez la distribution d'eau

3. Distribution de glaçons



- Appuyez sur les boutons GLAÇONS jusqu'à ce que le signal s'allume.
- Poussez le récipient dans la direction du coussin de distribution d'eau, ; les glaçons commencent à tomber dans le récipient.
- Retirez le conteneur du coussin hydraulique et mettez fin à l'exportation de la glace.

ATTENTION

- Lorsque l'utilisateur appuie sur le bouton pour obtenir de l'eau ou de la glace, un retard de 2 secondes se produit.
- En recueillant de la glace, l'utilisateur doit essayer de garder le récipient à proximité de la sortie de glace pour éviter que la glace n'éclabousse.

API OUVERT

1. Réponse à la demande
 - Obtenez le modèle actuel POST /v1/api/plugin/getDemandResponseInfo.
 - Acceptez les signaux DAL POST /v1/api/plugin/demandResponse/dal.
 - Acceptez les signaux TALR POST /v1/api/plugin/demandResponse/dal.
2. Rapport sur la consommation d'énergie
 - Obtenez le rapport de statistiques énergétiques POST /v1/api/plugin/getEnergyStatistics Rep.
3. Dégivrage différé
 - Contrôlez l'interface du commutateur POST /v1/api/plugin/switchDelayDefrost.
 - Obtenez l'intervalle de retard POST /v1/api/plugin/getDelayDefrostInfo.
 - Intervalle de retard ajouté POST /v1/api/plugin/saveDelayDefrostInfo.
 - Suppression de l'intervalle de retard POST /v1/api/plugin/deleteDelayDefrostInfo.
4. Auto-inspection du réfrigérateur
 - Obtenez des informations sur l'état de santé du réfrigérateur POST /v1/api/plugin/getFridge CurrentHeath.
5. Mode sabbat
 - Définir le mode Sabbath POST /v1/api/plugin/setSabbathMode.

ATTENTION

L'interface de l'application (MSmartHome) (à propos de l'interface de réponse à la demande) permet à l'utilisateur de fonctionner selon le mode d'intervention du signal du réseau intelligent

Conseils pour la conservation des aliments

Compartiment du congélateur

- Le congélateur est destiné au stockage d'aliments congelés à très basse température, au stockage à long terme d'aliments congelés et à la production de glace.
- N'utilisez les clayettes de la porte du congélateur que pour stocker des aliments congelés, et non pour des aliments chauds destinés à être congelés.
- Il ne faut pas mettre des aliments frais et congelés les uns à côté des autres. Les aliments congelés risquent d'être décongelés.
- Lorsque vous congelez des aliments frais (tels que viande, poisson, viande hachée etc.), il faut les répartir en quantités pouvant être utilisées en une seule fois.
- Conservation des aliments congelés : il faut respecter les instructions qui sont généralement indiquées sur les emballages. Si aucune information ne se trouve sur l'emballage, les aliments ne doivent pas être conservés plus de trois mois à compter de la date d'achat.
- Lors de l'achat d'aliments congelés, assurez-vous qu'ils ont été congelés à une température appropriée et que l'emballage n'est pas endommagé.
- Les aliments congelés doivent être conservés dans des emballages appropriés pour en conserver la qualité et doivent être remis dans le compartiment congélateur dès que possible.
- Si un emballage d'aliments congelés présente de l'humidité ou un gonflement des parois anormal, il est probable qu'il ait été conservé à la mauvaise température et que le contenu soit abîmé.
- La durée de conservation des aliments congelés dépend de la température ambiante, du réglage du thermostat, de la fréquence d'ouverture de la porte du congélateur, du type d'aliment et du temps de transport du produit du magasin à la maison. Suivez toujours les instructions et ne dépassez jamais la durée de conservation maximale indiquée sur l'emballage.

FR

Compartiment de refroidissement

- Pour réduire l'humidité et l'accumulation de givre qui en résulte, ne mettez jamais de liquide dans le réfrigérateur dans des contenants non bien couverts. Le givre a tendance à se concentrer dans les parties les plus froides de l'évaporateur. La conservation de liquides dans des contenants non bien couverts entraîne un dégivrage plus fréquent.
- Il ne faut jamais placer d'aliments chauds dans le réfrigérateur. Il faut les laisser refroidir à température ambiante, puis les placer dans le réfrigérateur en pensant à assurer une circulation d'air adéquate.
- Les aliments ou les récipients alimentaires ne doivent pas toucher la paroi arrière du réfrigérateur car ils risquent d'être collés contre la paroi. Il ne faut pas ouvrir constamment la porte du réfrigérateur.
- La viande et le poisson (dans un emballage ou une feuille de plastique) peuvent être conservés dans le frigo, et utilisés dans 1 à 2 jours.
- Les fruits et légumes sans emballage peuvent être placés dans le bac fruits et légumes frais.

Température recommandée

Le réglage optimal de la température pour la conservation des aliments :

- Réfrigérateur : 4 °C(39 °F), Congélateur : -18 °C(0 °F)

ATTENTION

Le réglage optimal de la température de chaque compartiment dépend de la température ambiante. La température optimale ci-dessus est basée sur la température ambiante de 25°C.

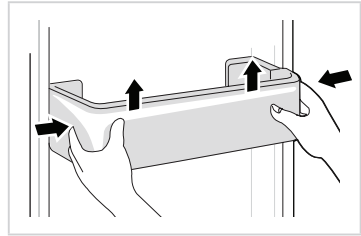
NETTOYAGE ET ENTRETIEN

Décongélation

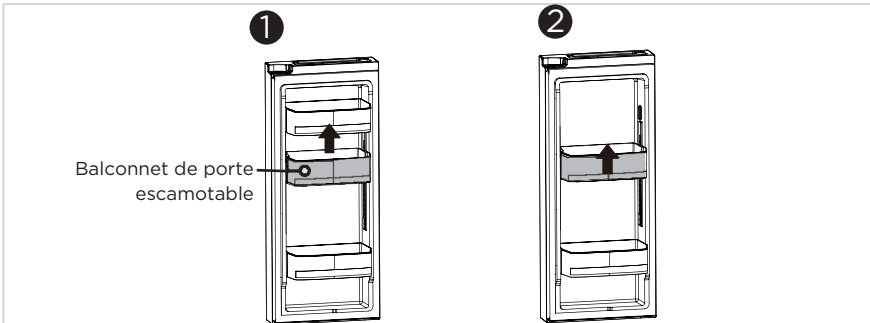
- Le réfrigérateur est fabriqué selon le principe de refroidissement par air et dispose donc d'une fonction de dégivrage automatique. Le givre formé en raison du changement de saison ou de température peut également être éliminé manuellement en débranchant l'appareil ou en l'essuyant avec une serviette sèche.

Nettoyage de clayette de porte

- Selon les flèches de direction dans la figure ci-dessous, utilisez les deux mains pour pousser la clayette vers le haut et la retirer.
- Après avoir lavé la clayette retirée, sa hauteur d'installation peut être réglée.



Retrait du balconnet de porte escamotable

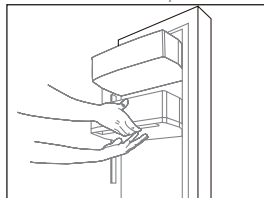


FR

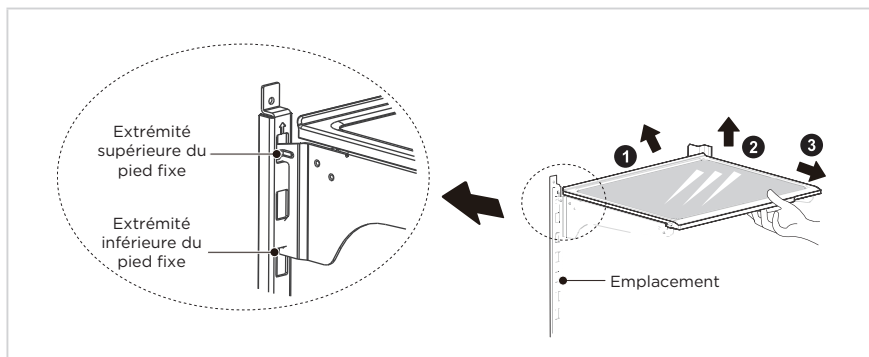
- Démontez la première couche du cadre de la bouteille, tirez la poignée vers l'arrière, déverrouillez le cadre de la bouteille de levage et démontez-le.

ATTENTION

- Utilisation : en utilisant les deux mains pour soutenir le plateau de porte réglable, pressez et maintenez la gâchette en dessous.
- Positionnez le bac à la hauteur souhaitée, puis relâchez la gâchette pour le verrouiller en place. Vérifiez toujours que le bac est bien fixé après l'avoir déplacé.



Nettoyage de la clayette en verre



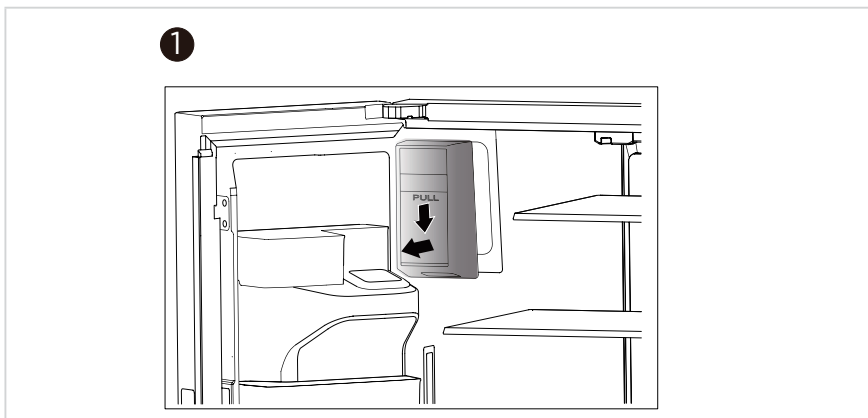
Veillez démonter l'étagère en porte-à-faux en suivant les flèches indiquées ci-dessus :

1. Tenez le bord avant de l'étagère, et inclinez celle-ci vers l'intérieur jusqu'à ce que l'extrémité inférieure du pied fixe soit séparée de la fente du fer de support ;
2. Soulevez l'ensemble de l'étagère jusqu'à ce qu'elle ne puisse plus s'élever ;
3. Retirez l'étagère horizontalement.

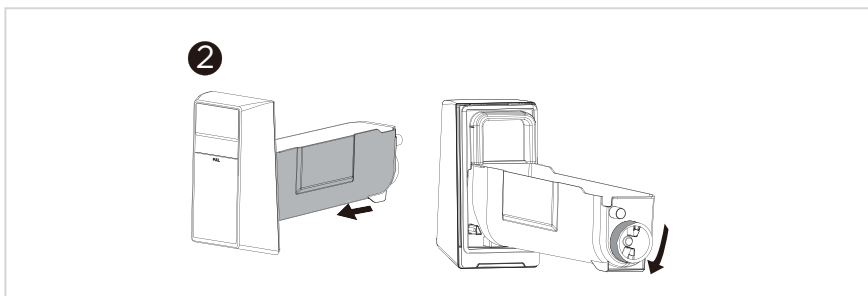
Pendant l'installation, placez d'abord l'extrémité supérieure du pied fixe dans l'une des fentes supérieures du fer de support, puis placez l'extrémité inférieure du pied fixe dans la troisième fente de la partie inférieure du fer de support.

Nettoyage du bac à glace

- Lorsque vous avez besoin d'utiliser beaucoup de glace, ou de prendre de la glace de façon anormale, ou lorsque vous devez nettoyer le bac à glace, vous pouvez le retirer, toutefois, remettez-le en place à temps.



- Tenez le bouton du bac à glace avec votre main, appuyez doucement dessus, puis retirez-le horizontalement.



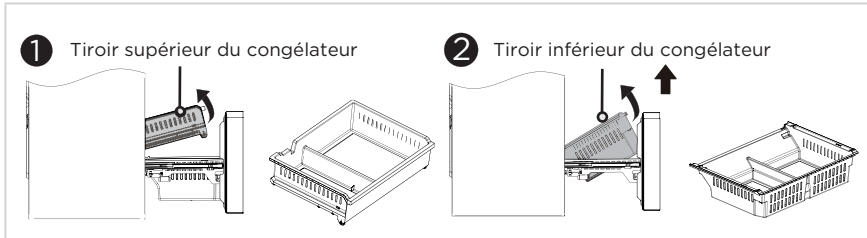
FR

- Poussez légèrement le bac à glace vers l'intérieur après le nettoyage.

ATTENTION

- Lors du retrait, si des glaçons tombent dans la chambre de fabrication des glaçons, veuillez les nettoyer à temps.
- Si les glaçons ne sont pas utilisés pendant une longue période, nettoyez-les à temps.
- Lorsque vous avez besoin d'utiliser beaucoup de glaçons, de prendre de la glace de façon anormale, ou lorsque vous devez nettoyer le bac à glace, vous pouvez le retirer ; toutefois, remettez-le en place à temps.
- Lorsque le bac de stockage des glaçons ne peut pas être installé en place, tournez la queue comme illustrée pour l'aligner avec la position correspondante dans le bac à glace.

Nettoyage du tiroir du congélateur



Tiroir supérieur du congélateur :

- Ouvrez la porte de la chambre de congélation au maximum, soulevez la queue du tiroir supérieur et sortez ce dernier.

Tiroir inférieur du congélateur :

- Ouvrez au maximum la porte de la chambre de congélation, soulevez l'extrémité du tiroir inférieur du congélateur et sortez-le.

● ATTENTION

REMARQUE : Ne retirez le tiroir inférieur de congélation qu'en cas de nécessité.

Arrêt d'utilisation

Panne de courant :

En cas de panne de courant, même en été, les aliments à l'intérieur de l'appareil peuvent être conservés pendant plusieurs heures, les ouvertures de la porte doivent être réduites et aucun aliment frais ne doit plus être mis dans l'appareil.

Longue période de non utilisation :

L'appareil doit être débranché et nettoyé, laissez les portes ouvertes pour éviter les odeurs.

Déplacement :

Avant de déplacer le réfrigérateur, retirez tous les aliments, fixez les cloisons en verre, le bac à légumes, les tiroirs de la chambre de congélation etc., avec du ruban adhésif, et serrez les pieds de nivellement, fermez les portes et les fixer avec du ruban adhésif. Pendant le déplacement, l'appareil ne doit pas être à l'envers ou à l'horizontale ni être soumis à des vibrations, l'inclinaison pendant le mouvement ne doit pas dépasser 45°.

● ATTENTION

Une fois mis en marche, l'appareil doit fonctionner en continu. En règle générale, le fonctionnement de l'appareil ne doit pas être interrompu, autrement sa durée de vie peut être réduite.

Les aliments peuvent être conservés pendant quelques heures même en été en cas de panne de courant, il est recommandé de réduire la fréquence d'ouverture de la porte.

DÉPANNAGE

Les problèmes simples suivants peuvent être traités par l'utilisateur. Appelez le service après-vente si ces problèmes ne sont pas réglés.

Problème	Cause possible
Échec de l'opération	• Vérifiez si l'appareil est branché au secteur ou si la fiche est bien en contact
	• Vérifiez si la tension est trop faible
	• Vérifiez s'il y a une panne de courant ou des circuits partiels se sont déclenchés
Odeur	• Les aliments susceptibles d'émettre des odeurs doivent être bien enveloppés
	• Vérifiez s'il y a des aliments pourris
	• Nettoyez l'intérieur du réfrigérateur
Compresseur fonctionnant pendant une longue période	• En été, vous pouvez assister à un long fonctionnement du réfrigérateur, c'est normal.
	• Lorsque la température ambiante est élevée, il est recommandé de ne pas avoir trop d'aliments dans l'appareil en même temps.
	• Les aliments doivent refroidir avant d'être mis dans l'appareil
	• Les portes sont ouvertes trop fréquemment
La lumière ne s'allume pas	• Vérifiez si le réfrigérateur est branché et si la lumière est endommagée
	• Faites remplacer la lumière par un professionnel
La porte du réfrigérateur ne peut pas être correctement fermée.	• La porte est coincée par des aliments. Trop d'aliments sont placés
	• Le réfrigérateur est incliné.
Bruits forts	• Vérifiez si le sol est bien horizontal et si le réfrigérateur est placé de manière stable
	• Vérifiez si les accessoires sont placés aux bons endroits

Problème	Cause possible
Le joint de la porte n'est pas serré	<ul style="list-style-type: none"> • Éliminez tout corps étranger sur le joint de la porte • Chauffez puis refroidissez le joint de la porte, pour le restaurer (ou soufflez dessus avec un séchoir électrique ou utilisez une serviette chaude)
Débordement du bac à eau	<ul style="list-style-type: none"> • Il y a trop d'aliments dans la chambre ou les aliments stockés contiennent trop d'eau, cela entraîne une forte décongélation • Les portes ne sont pas fermées correctement, cela entraîne un dégivrage dû à l'entrée d'air et une augmentation d'eau
Boîtier chaud	<ul style="list-style-type: none"> • La dissipation de la chaleur du condenseur intégré via le boîtier est normale. Lorsque le boîtier devient chaud en raison d'une température ambiante élevée, du stockage d'une trop grande quantité d'aliments ou de l'arrêt du compresseur, il faut prévoir une bonne ventilation pour faciliter la dissipation de la chaleur.
Condensation de surface	<ul style="list-style-type: none"> • La condensation sur la surface extérieure et les joints de porte du réfrigérateur est normale lorsque l'humidité ambiante est trop élevée. Il suffit d'essuyer la condensation avec une serviette propre.
Bruit anormal	<ul style="list-style-type: none"> • Vrombissement : Le compresseur peut produire des vrombissements qui sont forts en particulier au démarrage ou à l'arrêt. C'est normal. • Craquements : Le fluide frigorigène qui circule à l'intérieur de l'appareil peut produire des craquements, ce qui est normal.

DOC ET CERTIFICATIONS

Déclaration de conformité de la Commission fédérale des communications (FCC) pour les États-Unis

Cet appareil est conforme à la partie 15 des règles de la FCC. Leur fonctionnement est soumis aux deux conditions suivantes : (1) Cet appareil ne doit pas causer d'interférences nuisibles, et (2) cet appareil doit accepter toute autre interférence reçue, y compris les interférences pouvant entraîner un fonctionnement non désiré.

REMARQUE : Cet appareil a été testé et reconnu conforme aux limites prescrites pour un appareil numérique de classe B, conformément à la partie 15 de la réglementation FCC. Ces règles sont établies pour offrir une protection raisonnable contre les interférences nuisibles dans une installation résidentielle. Cet équipement génère, utilise et peut émettre de l'énergie de radiofréquence et, s'il n'est pas installé et utilisé conformément aux instructions, il peut causer des interférences nuisibles aux communications radio. Cependant, rien ne garantit que des interférences ne se produiront pas lors d'une installation particulière. Si cet équipement provoque des interférences nuisibles à la réception de télévision ou de radio, ce qui peut être déterminé en mettant l'équipement successivement hors tension puis sous tension, l'utilisateur est invité à essayer de corriger les interférences en adoptant une des mesures suivantes :

- Réorienter ou déplacer l'antenne de réception.
- Augmenter la distance de séparation entre l'équipement et le récepteur.
- Brancher l'équipement dans une prise sur un circuit différent de celui sur lequel est branché le récepteur.
- Consulter le revendeur ou un technicien radio/télévision expérimenté qui vous apportera l'aide nécessaire.

Cet équipement est conforme aux limites d'exposition aux radiations fixées par la FCC pour un environnement non contrôlé.

Déclaration de conformité d'Industrie Canada (IC) pour le Canada

Cet appareil est conforme à la ou aux normes RSS exemptes de licence d'Industrie Canada. Leur fonctionnement est soumis aux deux conditions suivantes : (1) cet appareil peut ne pas provoquer d'interférences, et (2) cet appareil doit accepter toute autre interférence, y compris celles pouvant provoquer un fonctionnement non désiré de l'appareil.

CAN ICES-003(B)/NMB-003(B)

Midea n'est pas responsable de tout changement ou modification non expressément approuvés par Midea. De telles modifications pourraient annuler le droit de l'utilisateur à faire fonctionner l'équipement.

Pour le modèle : MWB-S-WB01

ID FCC : 2ADQOMWB-SWB01



GARANTIE LIMITÉE DU RÉFRIGÉRATEUR MIDEA

JOIGNEZ VOTRE REÇU ICI. POUR OBTENIR LE SERVICE DE GARANTIE, UNE PREUVE D'ACHAT EST REQUISE.

Veillez réunir les informations suivantes lorsque vous appelez le centre de service client :

- Nom, adresse et numéro de téléphone
- Numéros de modèle et de série
- Une description claire et détaillée du problème
- Un justificatif d'achat comprenant le nom et l'adresse du revendeur ou du détaillant.

EN CAS DE BESOIN D'ASSISTANCE :

1. Avant de nous contacter pour obtenir une assistance, veuillez vérifier si votre produit nécessite une réparation. Certaines défaillances peuvent être résolues sans aucune assistance. Veuillez consacrer quelques minutes à la consultation de la section « Dépannage » du guide d'utilisation, ou visitez le site <http://us.Midea.com/support>
2. Tout service de garantie est fourni exclusivement par nos fournisseurs de service Midea agréés, aux États-Unis d'Amérique et au Canada.

Service client Midea

Aux États-Unis d'Amérique ou au Canada, appelez le 1-866-646-4332.

Si vous êtes en dehors des États-Unis d'Amérique (50 États) ou du Canada, contactez votre revendeur agréé Midea pour savoir si une autre garantie s'applique.

1 AN DE GARANTIE : PIÈCES ET MAIN D'ŒUVRE

CE QUI EST ASSURÉ

GARANTIE LIMITÉE À LA PREMIÈRE ANNÉE (PIÈCES ET MAIN D'ŒUVRE)

Midea s'engage à réparer ou à remplacer, sans frais, toute défaillance due à un défaut de matériaux ou de fabrication pendant une année complète à compter de la date d'achat. Des mises à jour et une assistance technique seront disponibles pendant 8 à 12 ans, ce qui pourra aider les clients à planifier l'utilisation et la maintenance de l'appareil en toute sécurité pendant une période adéquate. Pour plus de détails sur la couverture de la garantie et les réparations sous garantie, visitez le site www.midea.com ou appelez le numéro suivant : **1-866-646-4332**.

Le consommateur sera responsable :

- des frais liés aux services de diagnostic, d'enlèvement, de transport et de la réinstallation,
- des frais relatifs aux appels de service qui représentent les éléments énumérés dans la rubrique **RESPONSABILITÉS NORMALES DU CONSOMMATEUR.****

RESPONSABILITÉS NORMALES DU CONSOMMATEUR**

Cette garantie s'applique uniquement aux produits destinés à un usage domestique ordinaire. Les propriétaires et les utilisateurs ménagers sont les clients visés pour cet appareil. Le consommateur est responsable des éléments énumérés ci-dessous :

1. Utilisation correcte de l'appareil conformément aux instructions fournies avec le produit.
2. L'entretien et le nettoyage réguliers, nécessaires pour maintenir un bon état de fonctionnement.
3. Installation correcte par un réparateur agréé conformément aux instructions fournies avec l'appareil et conformément à tous les codes locaux de plomberie, d'électricité et/ou de gaz.
4. Raccordement correct à une alimentation mise à la terre d'une tension suffisante, remplacement des fusibles grillés, réparation des raccords desserrés ou des défauts dans le câblage de la maison.
5. Les dépenses engagées dans le cadre de l'entretien de l'appareil.
6. Dommages de finition après l'installation.

VOTRE SEUL ET UNIQUE RECOURS DANS LE CADRE DE CETTE GARANTIE LIMITÉE EST LA RÉPARATION OU LE REMPLACEMENT DU PRODUIT COMME PRÉVU DANS LE PRÉSENT DOCUMENT. L'entretien doit être assuré par une société de prestation de services désignée par Midea. Cette garantie limitée s'applique uniquement aux États-Unis d'Amérique (50 États) ou au Canada et n'est valide que lorsque le grand appareil est utilisé dans le pays où il a été acheté. Cette garantie limitée prend effet à compter de la date d'achat de l'appareil. Une preuve de la date d'achat est nécessaire pour bénéficier d'un service dans le cadre de la présente garantie limitée.

CE QUI N'EST PAS ASSURÉ

1. Toute défaillance causée par des dommages à l'appareil pendant qu'il est en votre possession (autres que les dommages causés par une défaillance ou un dysfonctionnement), par son installation incorrecte ou par une mauvaise utilisation de l'appareil, notamment une utilisation sans limite, le manque d'entretien raisonnable et nécessaire ou le non-respect du manuel d'installation et d'instruction prescrit.
2. Les produits achetés « tels quels » ou remis à neuf ne sont pas couverts par cette garantie.
3. Perte de nourriture causée par une panne du réfrigérateur ou du congélateur.
4. Les appels de service à des fins de réparation ou de remplacement des consommables tels que les filtres à eau, les ampoules électriques, les filtres à air, etc., ou les poignées, molettes et autres pièces esthétiques.
5. Tout produit qui a été transféré par son propriétaire initial.
6. Rouille à l'intérieur ou à l'extérieur de l'appareil.
7. Les dommages causés par des entretiens effectués par des personnes autres que les réparateurs Midea agréés, l'utilisation de pièces de rechange autres que celles fournies par Midea et obtenues auprès de personnes autres que le service client Midea, ou des causes externes telles qu'une utilisation abusive, une mauvaise utilisation, une alimentation électrique inadéquate ou des catastrophes naturelles.
8. Les appels de service faisant suite à l'installation inappropriée de votre appareil.
9. Les appels de service destinés à vous instruire sur l'utilisation de votre appareil.
10. Les surcharges, y compris entre autres les appels de service en dehors de heures normales, en fin de semaine ou les jours fériés, les péages, les frais de voyage en ferry ou les frais de kilométrage pour les appels de service dans les régions éloignées, y compris l'État de l'Alaska.
11. Si l'appareil est destiné à un usage commercial, à la location ou à toute autre utilisation ou application autre que celle du consommateur, nous déclinons toute garantie, expresse ou implicite, y compris, mais sans s'y limiter, toute garantie implicite de qualité marchande ou d'adéquation à un usage ou à un but particulier.
12. Tout produit ayant été retiré du marché américain ou canadien
13. Tout produit sans numéro de série original ou dont le numéro de série a été modifié ou ne peut être déterminé facilement.

REMARQUE : Certains États n'autorisent pas l'exclusion ou la limitation des dommages accessoires ou indirects. Il est donc possible que cette limitation ou exclusion ne vous concerne pas.

Le coût de la réparation ou du remplacement dans ces circonstances exclues est à la charge du client.

EXCLUSION DE GARANTIES IMPLICITES

LES GARANTIES IMPLICITES, Y COMPRIS TOUTE GARANTIE IMPLICITE DE QUALITÉ MARCHANDE OU D'ADÉQUATION À UN USAGE PARTICULIER, SONT LIMITÉES À UNE ANNÉE OU À LA PLUS COURTE DURÉE PRÉVUE PAR LA LOI. Certains États et provinces n'autorisent pas la limitation de la durée des garanties implicites de qualité marchande ou d'adéquation. Il est donc possible que cette limitation ne s'applique pas à vous. Cette garantie vous donne des droits légaux spécifiques, et vous pouvez également bénéficier d'autres droits qui varient d'un état ou d'une province à l'autre.

EXCLUSION DES DÉCLARATIONS HORS GARANTIE

Midea ne fait aucune déclaration sur la qualité, la durabilité ou le besoin d'entretien ou de réparation de ce grand appareil, en dehors des déclarations contenues dans la présente garantie. Si vous souhaitez bénéficier d'une garantie plus longue ou plus complète que la garantie limitée couvrant ce grand appareil, vous devez demander à Midea ou à votre revendeur d'acheter une extension de garantie.

LIMITATION DES RECOURS, EXCLUSION DES DOMMAGES ACCESSOIRES ET INDIRECTS

VOTRE SEUL ET UNIQUE RECOURS DANS LE CADRE DE CETTE GARANTIE LIMITÉE EST LA RÉPARATION DU PRODUIT COMME PRÉVU DANS LE PRÉSENT DOCUMENT. MIDEA N'EST PAS RESPONSABLE DES DOMMAGES ACCESSOIRES OU INDIRECTS. Certains États et provinces n'autorisent pas l'exclusion ou la limitation des dommages accessoires ou indirects. Il est donc possible que ces limitations et exclusions ne s'appliquent pas à vous. Cette garantie vous donne des droits légaux spécifiques, et vous pouvez également bénéficier d'autres droits qui varient d'un état ou d'une province à l'autre.



Refrigerador con puerta de doble hoja en el cuerpo inferior

Corriente: AC 115V
Frecuencia: 60 Hz
**Capacidad: 29.3 pies
cúbicos**

Advertencia:
Antes de usar este producto,
lea atentamente este manual y
guárdelo para futuras consultas.
El diseño y las especificaciones
están sujetos a cambios sin
previo aviso para mejorar
el producto. Para mayor
información, consulte con su
distribuidor o fabricante.

versión A - 02 - 2023

MANUAL DEL USUARIO



**¡Ampliación gratuita
de 3 meses del periodo
de garantía original
limitada!*** Simplemente
envíe una foto de
su comprobante de
compra a:

1-844-224-1614

*La ampliación de la garantía es
por los tres meses inmediatamente
posteriores a la finalización del periodo
de garantía original del producto. No
es necesario registrar el producto para
obtener todos los derechos y recursos
de los propietarios registrados bajo la
garantía limitada original

NÚMEROS DE MODELO

MRF29D3ABB

MRF29D3AST

MRF29D3AWW

www.midea.com



MSmartHome

Descargue la
aplicación y active
el producto

IDIOMAS

ES

Español

NOTA DE AGRADECIMIENTO

¡Gracias por elegir Midea! Antes de usar su nuevo producto Midea, lea atentamente este manual para operar de forma segura las características y funciones que ofrece su nuevo electrodoméstico.

CONTENIDO

NOTA DE AGRADECIMIENTO	04
ESPECIFICACIONES	05
DESCRIPCIÓN DEL PRODUCTO	06
INSTALACIÓN DEL PRODUCTO	07
INSTRUCCIONES DE OPERACIÓN	14
LIMPIEZA Y MANTENIMIENTO	21
RESOLUCIÓN DE PROBLEMAS	25
CERTIFICADO DE CUMPLIMIENTO Y CERTIFICACIONES	27
GARANTÍA	28

ESPECIFICACIONES

Modelo del producto	MRF29D3AST, MRF29D3AWW, MRF29D3ABB
Volume	29.3 pies cúbicos (828L)
Tensión nominal	AC115V
Frecuencia nominal	60 Hz
Corriente nominal	2.7 A
Potencia nominal de descongelación	280 W
Refrigerante	R600a
Cantidad	2.75 oz (78 g)
Dimensiones del aparato	35.8 x 36.1 x 69.9 pulg. (91.0 x 91.7 x 177.5 cm)



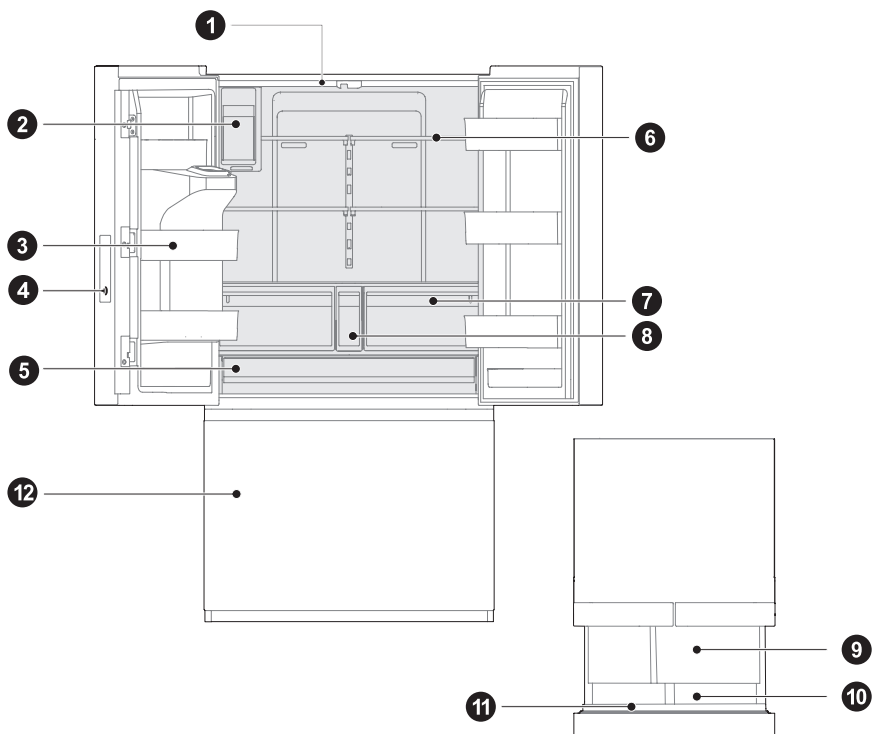
MSmartHome

Modelo de módulo de red inalámbrica	MWB-S-WB01
Tipo de antena	Antena PCB impresa
Banda de frecuencia	2400-2483.5 MHz
Temperatura de funcionamiento	0 °C - 85 °C /32 °F -185 °F Humedad de funcionamiento: 10%-85%
Corriente de funcionamiento	DC5V/500mA Máximo Corriente de transmisión: <20dBm

ES

DESCRIPCIÓN DEL PRODUCTO

Nombres de los componentes



ES

● ATENCIÓN

- La imagen que aparece arriba tiene solo una finalidad de referencia. La configuración real dependerá del producto físico o declaración por parte del distribuidor.
- Los cajones pequeños son para colocar artículos adecuados para su tamaño, como envases de leche más pequeños.

INSTALACIÓN DEL PRODUCTO

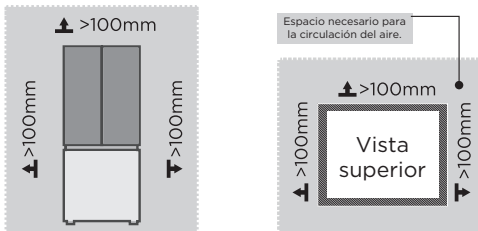
Instrucciones de instalación

Busque un lugar adecuado.

- Este refrigerador está diseñado solo para estar de pie y no debe quedar encerrado ni empotrado.
- El Refrigerador debe colocarse en un lugar interior bien ventilado; el suelo debe ser plano y resistente.
- Manténgalo alejado del calor y evite la luz solar directa. No coloque el Refrigerador en espacios húmedos o con agua para prevenir el óxido o la reducción del efecto de aislamiento.

Dimensiones y espacios despejados

- Una distancia demasiado pequeña entre el refrigerador y los elementos adyacentes puede provocar la degradación de la capacidad de congelación y un aumento de los costos de electricidad. Al instalar el refrigerador, deje más de 100mm de espacio despejado entre el aparato y cada pared adyacente.



Procure contar con una fuente de alimentación adecuada.

- Revise su fuente local de energía. Este refrigerador requiere **AC115 V, 60 Hz** de corriente.
- Utilice una toma de corriente que acepte la clavija de conexión a tierra. El cable de alimentación está equipado con un enchufe de 3 clavijas (conexión a tierra) que se acopla a una toma de corriente de pared estándar de 3 clavijas (conexión a tierra) para minimizar la posibilidad de riesgo de descarga eléctrica de este refrigerador.



PRECAUCIÓN

El refrigerador siempre debe estar enchufado en una toma de corriente exclusiva que tenga una clasificación de voltaje que coincida con la placa de clasificación.

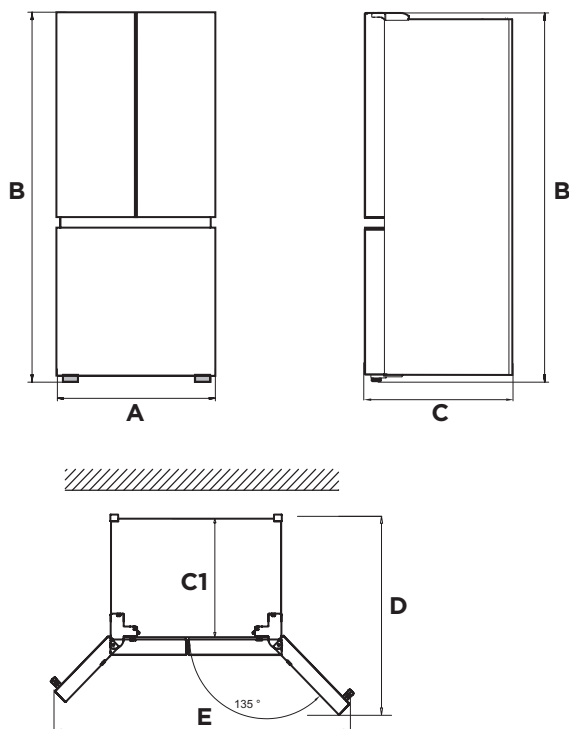
Nunca tire del cable para desenchufar el refrigerador. Siempre agarre el enchufe y tire de él firmemente.

ADVERTENCIA: Cuando coloque el aparato, asegúrese de que el cable de alimentación no quede atrapado o dañado.

Empiece a usar el producto

- Después de instalarlo, deje reposar el refrigerador por media hora antes de conectarlo a la corriente y usarlo por primera vez.
- El Refrigerador deberá funcionar de 2 a 3 horas antes de cargar alimentos frescos o congelados; en verano, el aparato debe funcionar durante más de 4 horas con anticipación considerando que la temperatura ambiente es alta.

Diagrama de espacios necesarios (cuando la puerta está abierta y cuando la puerta está cerrada)



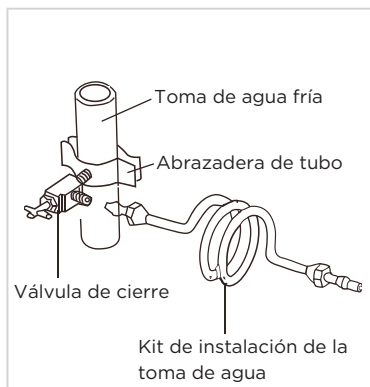
Ancho	Altura total	Profundidad	Profundidad del gabinete solo	Profundidad con puertas abiertas 135°	Ancho con puertas abiertas 135°
A	B	C	C1	D	E
910	1775	862	745	1127	1596

Nota: Todas las dimensiones en mm

Instalación de la toma de agua

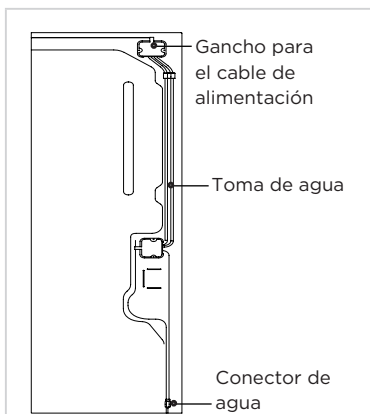
Instalación de la toma de agua

- Los kits de instalación de la toma de agua están disponibles como un accesorio adicional en su distribuidor o en una ferretería local.
1. Primero, cierre la línea principal de suministro de agua y apague la máquina de hielo.
 2. Ubique la válvula de suministro de agua fría más cercana.
 3. Después de conectar el suministro de agua a la válvula de agua, vuelva a abrir el suministro de agua principal y deje correr varios litros para despejar la línea de suministro.



Conexión de la toma de agua al refrigerador

- Hay varios elementos que debe comprar para completar esta conexión.
 - Estos artículos se venden como un kit en su ferretería local.
1. Primero, cierre el suministro principal de agua y localice la línea de agua fría más cercana.
 2. En segundo lugar, conecte la válvula de agua a la línea de agua fría.
 3. Abra la válvula de agua y verifique que no haya fugas.
 4. Cuando mueva el refrigerador, cuelgue el cable de alimentación en el gancho para este propósito.

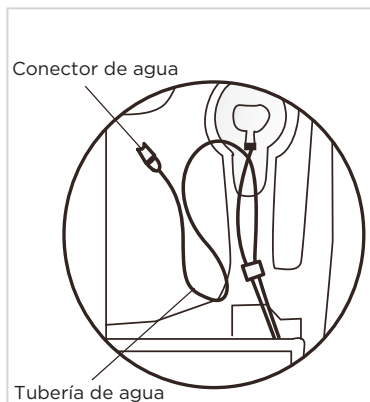


Conexión de la línea de agua a una fuente de agua potable

- Si su línea de agua no es potable, agregue un filtro de agua externo.
- Si debe reparar o desarmar la línea de agua, corte la tubería de plástico para asegurarse de obtener una conexión ajustada y sin fugas.

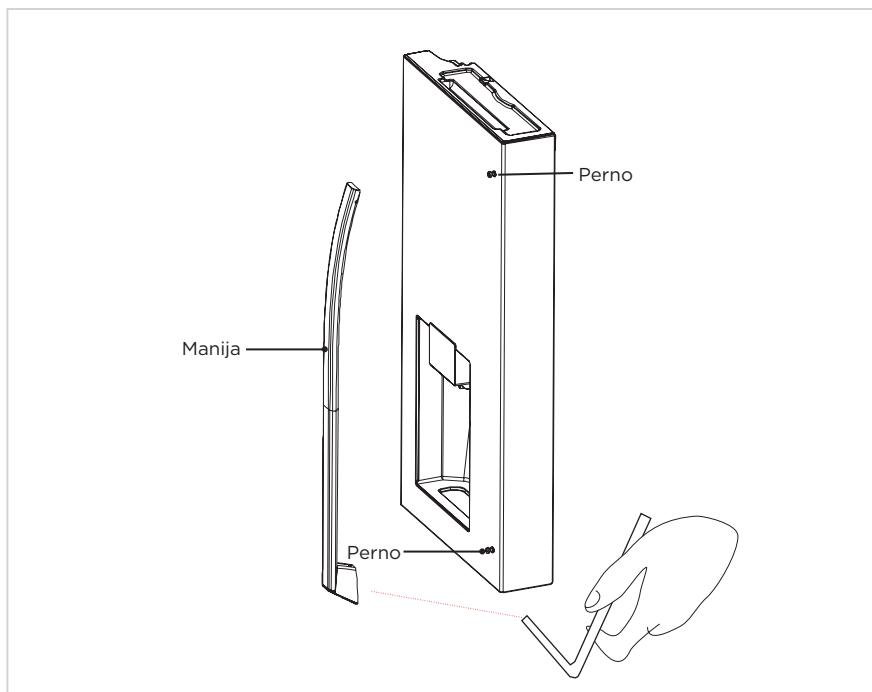
● ATENCIÓN

La presión mínima del agua de entrada: 276kPa.
La presión máxima del agua de entrada: 689kPa.
ADVERTENCIA: Conéctelo únicamente a agua potable. Use los juegos de mangueras nuevos suministrados con el aparato. No debe reutilizar juegos de mangueras usados.



Instalación de la manija de la puerta

Se deben tomar precauciones para evitar que la caída del asa cause cualquier lesión personal.

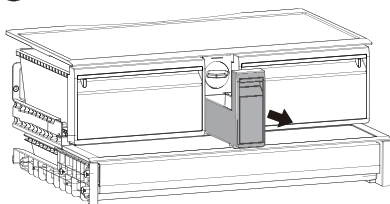


Paso

1. Primero, saque de la bolsa del paquete del manual del usuario los pernos para fijar la manija y luego fíjelos en el cuerpo de la puerta con un destornillador de estrella.
2. Después, saque la manija de la puerta de la cámara de refrigeración y coloque la puerta en la dirección que se muestra en la figura y coloque en la manija los dos pernos para fijarla.
3. Utilice la llave Allen para ajustar los tornillos en los dos orificios de cada manija con los pernos de fijación de la manija.

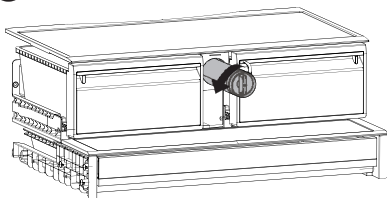
Instalación del filtro

1



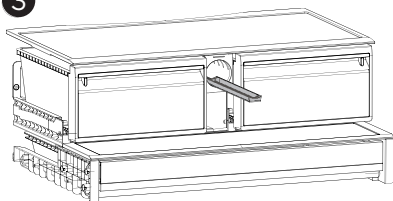
- Saque el cajón pequeño en el medio.

2



- Presione la perilla del filtro y gírela 90° en sentido antihorario, el filtro se soltará del conector y se podrá retirar.

3



- Compruebe con el dedo la bandeja de agua debajo del colador , saque y descargue el exceso de agua.

ES

Nivelado de los pies

Para evitar vibraciones, el aparato debe estar nivelado.

Si es necesario, ajuste los tornillos de nivelación para compensar un suelo irregular.

La parte frontal debe estar un poco más alta que la parte posterior para facilitar el cierre de la puerta.

Los tornillos de nivelación se pueden girar fácilmente inclinando ligeramente el gabinete.

Gire los tornillos de nivelación en sentido contrario a las agujas del reloj ↺ para levantar el aparato, gírelos en sentido de las agujas del reloj ↻ para bajarlo.

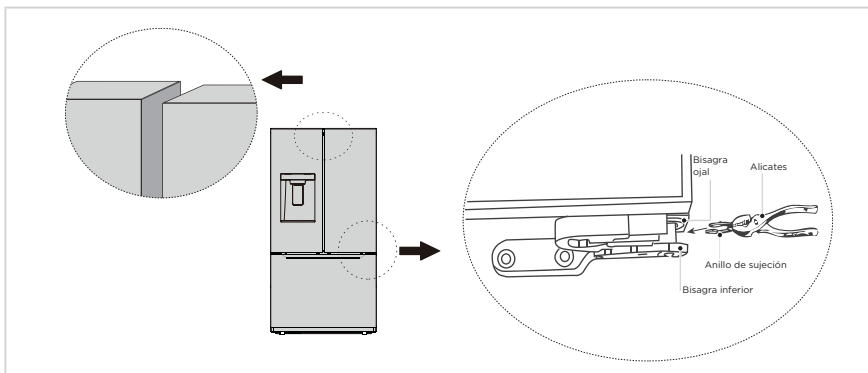
Puertas niveladoras

Lista de herramientas que el usuario debe proporcionar



Alicates

1. Levante la puerta inferior hasta el nivel de la puerta superior.
2. Use alicates para insertar el anillo de sujeción suministrado en el espacio entre la arandela de la bisagra y la bisagra inferior. El número de anillos de sujeción que necesitará insertar depende del espacio.



Transporte del refrigerador

1. Retire todos los alimentos del interior del refrigerador.
2. Desenchufe el cable, luego insértelo y fíjelo en el gancho para este fin en la parte trasera o en la parte superior del aparato.
3. Aplique cinta adhesiva en las repisas y la manija de la puerta para evitar que se caigan mientras transporta el refrigerador.
4. Mueva cuidadosamente el aparato entre más de dos personas. Cuando transporte el aparato a largas distancias, manténgalo en posición vertical.
5. Después de instalar el aparato, enchúfelo a una toma de corriente para encenderlo.

Cómo cambiar la lámpara.

- Cualquier sustitución o mantenimiento de las bombillas LED está previsto que lo realice el fabricante, su agente de mantenimiento o una persona con una cualificación similar.

Conexión del aparato

Después de instalar el aparato, conecte el enchufe a una toma de corriente.

ATENCIÓN

- Después de conectar el cable de alimentación (o el enchufe) a la toma de corriente, espere 2 o 3 horas antes de introducir alimentos en el aparato. Si agrega alimentos antes de que el refrigerador se haya enfriado por completo, es posible que se echen a perder.

Precauciones previas a la operación:

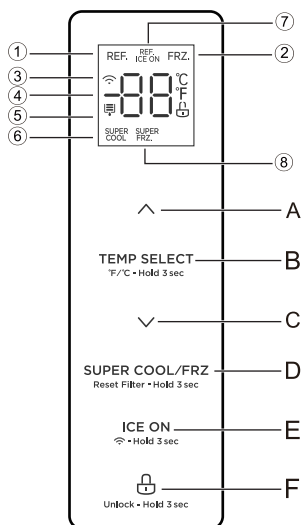
- Antes de realizar los cambios, desenchufe el refrigerador.
- Tome precauciones para evitar lesiones personales.

Consejos para ahorrar energía

- No coloque el aparato cerca de cocinas, radiadores u otras fuentes de calor. Si la temperatura ambiente es alta, el compresor funcionará con más frecuencia y durante más tiempo, lo que aumentará el consumo de energía.
- Asegúrese de que haya suficiente ventilación en la base, en los lados y en la parte trasera del aparato. No obstruya las aberturas de ventilación.
- Tenga en cuenta también las medidas de distancia en el capítulo "Instalación".
- La disposición de cajones, repisas y estantes, como aparece en la ilustración, permite el uso más eficiente de energía y, por lo tanto, debe aplicarse en la medida de lo posible. Todos los cajones y repisas deben permanecer en el aparato para mantener la temperatura estable y ahorrar energía.
- Para obtener un mayor espacio de almacenamiento (p. ej., para productos refrigerados/congelados grandes), los cajones intermedios se pueden quitar. Los cajones superiores e inferiores y las repisas deben retirarse en última instancia, si es necesario.
- Un compartimento refrigerador/congelador lleno uniformemente contribuye a un uso óptimo de la energía. Por lo tanto, evite los compartimentos vacíos o semivacíos.
- Deje que los alimentos calientes se enfríen antes de colocarlos en el refrigerador/congelador. Los alimentos que ya se han enfriado aumentan la eficiencia energética.
- Permita que los alimentos congelados se descongelen en el refrigerador. El frío de los alimentos congelados reduce el consumo de energía en el compartimento del refrigerador y aumenta así la eficiencia energética.
- Abra la puerta el menor tiempo posible para minimizar la pérdida de frío. Abrir la puerta brevemente y cerrarla correctamente reduce el consumo de energía.
- Las juntas de las puertas del refrigerador deben estar perfectamente intactas para que las puertas cierren correctamente y el consumo de energía no aumente innecesariamente.

INSTRUCCIONES DE OPERACIÓN

Panel de control



	Pantalla		Botón
1	Icono de refrigeración	A	Botón para subir la temperatura
2	Icono de congelación	B	Botón de selección de zona de temperatura
3	Icono de red inalámbrica	C	Botón para bajar la temperatura
4	Icono de visualización de temperatura	D	Botón Súper frío/Congelar
5	Icono de recordatorio de reemplazo de filtro	E	Botón de la máquina de hielo
6	Icono súper frío	F	Botón de bloqueo/desbloqueo
7	Icono de hielo		
8	Icono de súper congelación		

Pantalla

- Cuando conecte el refrigerador a la corriente, la pantalla de visualización aparecerá totalmente durante 3 segundos, mientras suena la campana de inicio, luego la pantalla de visualización ingresará a la visualización normal de funcionamiento. (al encender por primera vez, la temperatura predeterminada de los compartimientos del refrigerador y del congelador es 39 °F / 0 °F).

- Se mostrará la temperatura establecida de los compartimientos del refrigerador y del congelador cuando no haya fallas.



ATENCIÓN

El panel de control real puede diferir de un modelo a otro.




- En circunstancias normales, la luz de la pantalla se apagará después de 30 segundos en el estado de bloqueo, la operación del botón en el panel de la pantalla activará la pantalla; si la acción de abrir la puerta activa la pantalla, la luz de la pantalla se apagará inmediatamente cuando se cierre la puerta; cuando ocurre el tipo de falla “código de falla visible”, la pantalla se encenderá y se apagará después de 30 segundos.

Instrucciones de operación


Bloqueo/desbloqueo

- En el estado de desbloqueo, presione y mantenga presionado el botón  durante 3 segundos para ingresar al estado de bloqueo y suene el zumbador.
- En el estado de bloqueo, mantenga presionado el botón  durante 3 segundos para ingresar al estado de desbloqueo y suene el zumbador.
- Entrará en el estado de bloqueo si no se abre la puerta ni se opera ningún botón en 30 segundos.
- El sonido de la alarma se puede detener presionando cualquier botón en el estado de bloqueo, pero todas las demás operaciones de los botones deben realizarse en el estado de desbloqueo. Si se opera en el estado de bloqueo.




Ajuste de temperatura del refrigerador

- Haga clic en el botón  para cambiar la temperatura establecida del compartimiento del refrigerador. Cada vez que haga clic en \vee o \wedge , la temperatura establecida bajará 1 °F o aumentará 1 °F. El ajuste de temperatura tendrá efecto después de que se bloquee el panel de visualización.
- Presione sin soltar  y  durante 4 segundos para cerrar o abrir el compartimiento de almacenamiento frío.




Ajuste de la temperatura del congelador

- Haga clic en el botón  para cambiar la temperatura establecida del compartimiento del congelador. Cada vez que haga clic en \vee o \wedge , la temperatura establecida bajará 1 °F o aumentará 1 °F. El ajuste de temperatura tendrá efecto después de que se bloquee el panel de visualización.


Configuración de modo

- Presione el botón  para activar la función Súper frío. El compartimiento del refrigerador se configura automáticamente a 34 °F y el ícono  brillará. Al salir del modo Súper frío, la temperatura establecida del compartimiento del refrigerador volverá a la temperatura establecida antes del modo Súper frío.
- Presione el botón  para activar la función Súper congelación. El compartimiento del congelador se configura automáticamente a -7 °F y el


icono "SUPER^{FRZ}" brillará. Al salir del modo de Súper congelación, la temperatura establecida del compartimiento del congelador volverá a la temperatura establecida antes del modo de Súper congelación.

- Presione el botón interruptor  para ajustar/cancelar la función de Máquina de hielo. Cuando la configuración de la función Máquina de hielo es efectiva, la luz indicadora de la Máquina de hielo estará encendida, de lo contrario, estará apagada.
- Presione sin saltar  y  durante 4 segundos para cerrar o abrir el compartimiento de la Máquina de hielo.


Restablecimiento del tiempo del filtro

- Presione sin saltar  durante 3 segundos para ejecutar la función "RESTABLECER FILTRO". En este momento, se borrarán los datos del FILTRO.



Transformación a Celsius

- Presione sin saltar  durante 3 segundos para realizar la función de conversión Celsius - Fahrenheit.





Forzar el modo AP

- Presione sin saltar  durante 3 segundos para configurar a la fuerza el módulo de red inalámbrica del refrigerador en modo AP y mostrar AP en el área de visualización de temperatura. Después de que el módulo ingresa al modo AP con éxito, saldrá automáticamente del modo AP y el área de visualización de temperatura se restablecerá a la visualización de temperatura normal.

Modo Vacaciones

- Presione simultáneamente  y  durante 3 segundos para entrar en el modo Vacaciones.
- Si el refrigerador está conectado a Internet, puede ingresar o salir del modo Vacaciones a través de los botones de función correspondientes en la interfaz de control del refrigerador Smart Home, y la aplicación puede seleccionar el tiempo de salida automático.
- Después de 6 segundos de ingresar al bloqueo del modo Vacaciones, la pantalla se apaga, el zumbador no suena, la luz de apertura de la puerta no se enciende y el distribuidor solo muestra la función seleccionada con un brillo bajo.
- Cuando la terminal APP ingresa a la función Vacaciones, la terminal APP puede enviar un comando para apagar la función de Máquina de hielo al mismo tiempo.

Modo encendido/apagado del elemento calefactor anticondensación.

- Presione  y  durante 4 segundos, el icono de Hua Celsius parpadeará, luego presione el botón  y la función de apagado del cable de calefacción anticondensación se configurará correctamente.
- Bajo la configuración anterior, desbloquee e ingrese nuevamente, continúe presionando y  durante 4 segundos, el icono de Hua Celsius ya no parpadeará, presione el botón para liberar la función de apagado del elemento calefactor anticondensación.

Interruptor sonoro de aviso de puerta abierta

- Presione simultáneamente \vee y \wedge durante 4 segundos, el aviso sonoro de cierre o apertura de la puerta se activará.

ATENCIÓN

- Si la puerta no se cierra después del encendido, la APP o el aparato emitirá una alarma, llamará tres veces después de más de 2 minutos y luego agregará una alarma cada 1 minuto.

Indicador de fallos

- Cuando los siguientes consejos aparecen en la pantalla, indican un problema con el refrigerador. Aunque el refrigerador en el siguiente caso de falla aún puede proporcionar funciones de enfriamiento/congelación, el usuario debe comunicarse con el personal de mantenimiento para garantizar el uso normal del refrigerador.

Código de falla	Descripción de la falla
E1	Falla del sensor de temperatura del compartimiento del refrigerador
E2	Fallo del sensor de temperatura del compartimiento del congelador
E5	Error del sensor de descongelación del compartimiento del congelador
E6	Error de comunicación
E7	Error del sensor de temperatura ambiente
EH	Falla del sensor de humedad
F4	Falla del sensor en la parte inferior de la máquina de hielo
F5	La máquina de hielo no gira el hielo
CC	Falla del sensor de descongelación en el compartimiento de la máquina de hielo
C9	Falla del sensor en el compartimiento de la máquina de hielo
CA	Falle en la comunicación entre el tablero de control principal y el tablero de la máquina de hielo

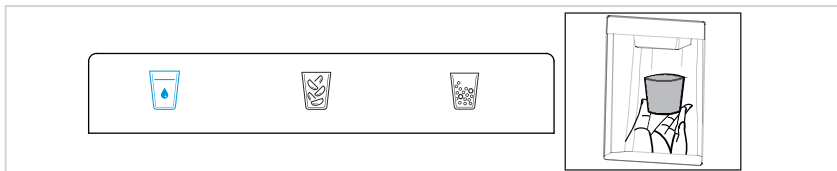
ATENCIÓN

La función de congelación rápida está diseñada para mantener el valor nutricional de los alimentos en el congelador. Puede congelar la comida en el menor tiempo posible. Si se congela una gran cantidad de alimentos a la vez, se recomienda activar la función de congelación rápida y colocar los alimentos. En este momento, la velocidad de congelación del compartimiento del congelador aumenta, lo que puede congelar rápidamente la comida. alimentos, bloquear efectivamente la nutrición de los alimentos y facilitar el almacenamiento.

Obtener agua y hielo

- El dispensador de hielo/agua está ubicado en el exterior de la puerta del compartimiento de refrigeración. Ofrece la opción de hielo picado o en cubos, o agua fría. El dosificador sólo funciona cuando la puerta del compartimiento del congelador está cerrada.

1. Obtener agua fría



- Mantenga presionado el botón AGUA hasta que el indicador se encienda.
- Coloque el recipiente dentro del dispensador de agua. El agua fría comenzará a fluir hacia el recipiente.
- Retire el recipiente del dispensador para finalizar el flujo de agua.

2. Obtener hielo picado



- Mantenga presionado el botón PICADO hasta que aparezca la señal.
- Presione el recipiente contra la boca de dosificador de agua para evitar el chorro lateral.
- Presione el recipiente hacia el dispensador de agua. Llene el recipiente con el hielo picado.
- Retire el recipiente del dispensador para finalizar el flujo de agua.

3. Obtener cubos de hielo



- Mantenga presionado el botón CUBOS hasta que se encienda la señal.
- Empuje el recipiente hacia el dispensador de agua,; los cubitos de hielo comenzarán a caer en el recipiente.
- Retire el recipiente del dispensador para finalizar la operación.

⚠ ATENCIÓN

- Tras presionar para obtener agua/hielo, hay una espera de 2 segundos.
- Para obtener hielo, trate de mantener el recipiente cerca de la salida del hielo para evitar que el hielo salpique.

API ABIERTA

1. Respuesta a la demanda
 - Obtiene el patrón actual POST /v1/api/plugin/getDemandResponseInfo.
 - Acepta señales DAL POST /v1/api/plugin/demandResponse/dal.
 - Acepta señales TALR POST /v1/api/plugin/demandResponse/dal.
2. Informe del consumo de energía
 - Obtener el informe de estadísticas de consumo de energía POST /v1/api/plugin/getEnergyStatistics Rep.
3. Retardo del descongelamiento
 - Interfaz de interruptor de control POST /v1/api/plugin/switchDelayDefrost.
 - Obtener el intervalo de retardo POST /v1/api/plugin/getDelayDefrostInfo.
 - Intervalo de retardo agregado POST /v1/api/plugin/saveDelayDefrostInfo.
 - Eliminar el intervalo de retardo POST /v1/api/plugin/deleteDelayDefrostInfo.
4. Auto-inspección del refrigerador
 - Obtener información sobre el estado de salud del refrigerador POST /v1/api/plugin/getFridge CurrentHeath.
5. Modo Vacaciones
 - Establecer el modo Vacaciones POST /v1/api/plugin/setSabbathMode.

ATENCIÓN

La interfaz de la aplicación (MSmartHome) (sobre la interfaz de respuesta a la demanda) permite al usuario operar de acuerdo con el modo de intervención de la señal de la red inteligente

Consejos para almacenar alimentos

Compartimento del congelador

- El congelador está diseñado para el almacenamiento de alimentos congelados a muy baja temperatura, el almacenamiento a largo plazo de alimentos congelados y para la producción de hielo.
- Utilice los compartimentos de la puerta del congelador únicamente para almacenar alimentos congelados, no para almacenar alimentos calientes en espera de congelación.
- No coloque alimentos frescos al lado de alimentos congelados. La comida congelada puede descongelarse.
- Cuando congele alimentos frescos (como carne, pescado o carne picada), córtelos en partes que se puedan usar al mismo tiempo.
- Almacenamiento de alimentos congelados: siga las instrucciones generalmente indicadas en los paquetes. Si no hay información en el empaque, los alimentos no deben almacenarse por más de tres meses a partir de la fecha de compra.
- Al comprar alimentos congelados, asegúrese de que estén congelados a una temperatura adecuada y que el empaque no esté dañado.
- Los alimentos congelados deben conservarse en envases adecuados para conservar la calidad y deben devolverse al congelador lo antes posible.
- Si un paquete de alimentos congelados muestra humedad o un abultamiento anormal, es probable que se haya almacenado a la temperatura incorrecta y que el contenido esté dañado.
- El período de almacenamiento de alimentos congelados depende de la temperatura ambiente, la configuración del termostato, la frecuencia de apertura de la puerta del congelador, el tipo de alimento y el tiempo de transporte del producto desde la tienda hasta el hogar. Siempre siga las instrucciones impresas en el paquete y nunca exceda el tiempo máximo de almacenamiento indicado en el paquete.

Compartimento del refrigerador

- Para reducir la humedad y la consecuente acumulación de hielo, nunca ponga líquidos en el refrigerador en recipientes sin sellar. La escarcha tiende a concentrarse en las partes más frías del evaporador. El almacenamiento de líquidos descubiertos da como resultado una necesidad más frecuente de descongelación.
- Nunca coloque alimentos calientes en el refrigerador. Enfríelos primero a temperatura ambiente y luego colóquelos de manera que permitan una circulación de aire adecuada en el refrigerador.
- Los alimentos o los recipientes de alimentos no deben tocar la pared trasera del refrigerador porque podrían congelarse en la pared. Trate de no abrir frecuentemente la puerta del refrigerador.
- La carne y el pescado limpios (envasados en un paquete o papel de plástico) se pueden colocar en el refrigerador, y pueden consumirse en 1 o 2 días.
- Las frutas y vegetales sin envasar pueden colocarse en el compartimento destinado a las frutas y vegetales frescos.

Temperatura recomendada

Ajuste de temperatura óptimo para el almacenamiento de alimentos:

- Refrigerador: 4 °C(39 °F), Congelador: -18 °C(0 °F)

ATENCIÓN

El ajuste de temperatura óptimo de cada compartimento depende de la temperatura ambiente. La temperatura superior a la óptima se basa en una temperatura ambiente de 25 °C.

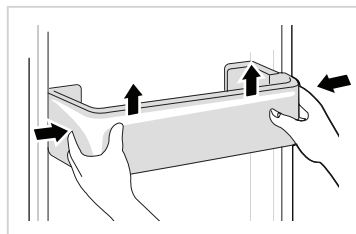
LIMPIEZA Y MANTENIMIENTO

Descongelación

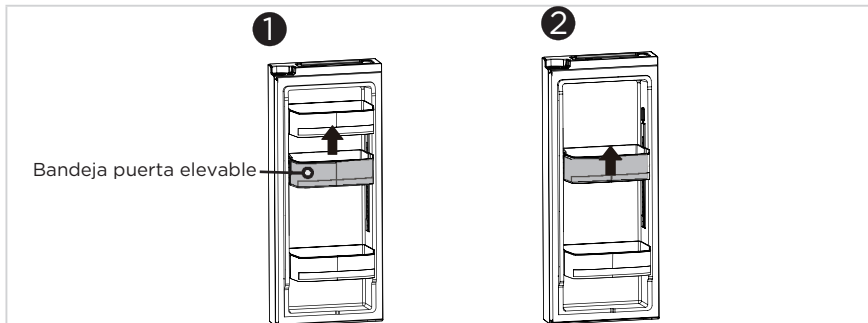
- El refrigerador está fabricado basándose en el principio de refrigeración de aire y así tiene una función de descongelación automática. El hielo formado debido al cambio de estación o temperatura asimismo puede retirarse manualmente mediante la desconexión del aparato de la alimentación o limpiándolo con una toalla seca.

Limpieza de la bandeja de la puerta

- De acuerdo con la flecha de dirección en la figura a continuación, use ambas manos para primero apretar la bandeja, empujarla hacia arriba y luego sacarla.
- Una vez retirada la bandeja de lavado, ajuste su altura de instalación de acuerdo con sus necesidades.



Desmontaje de la bandeja de la puerta elevable

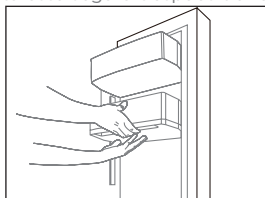


ES

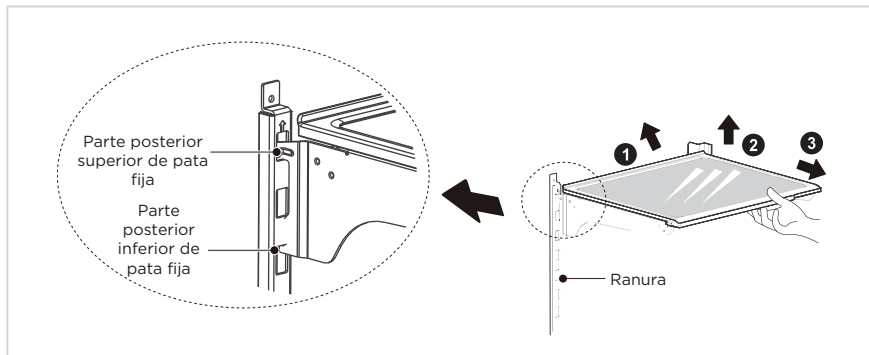
- Retire la primera capa del marco para botellas, tire de la manija hacia atrás, desbloquee el marco para botellas elevable y retírelo.

● ATENCIÓN

- Uso: con ambas manos para sostener la bandeja de la puerta ajustable, apriete y sostenga el gatillo debajo.
- Coloque la canasta a la altura deseada y suelte el gatillo para bloquearla en su lugar. Siempre verifique que la canasta esté segura después de retirarla.



Limpeza de la repisa de vidrio



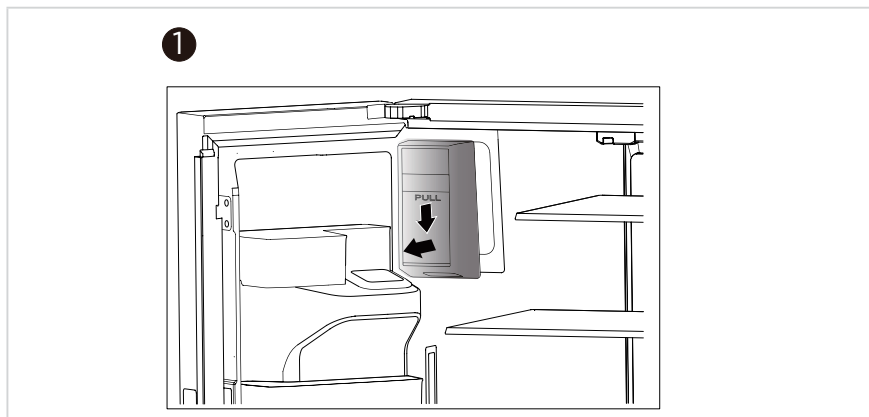
Desmonte el estante voladizo de acuerdo con las flechas que se muestran arriba:

1. Sostenga el borde frontal del estante e inclínelo hacia adentro hasta que el extremo inferior de la pata fija se separe de la ranura de la barra de soporte;
2. Levante todo el estante hasta que no pueda subir más;
3. Retire el estante horizontalmente.

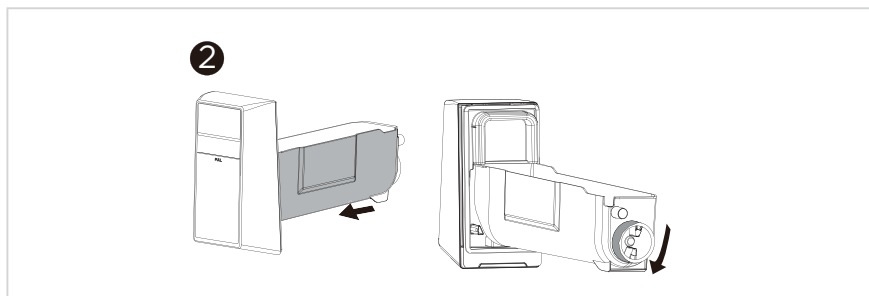
Durante la instalación, coloque primero el extremo superior de la pata fija en una de las ranuras superiores del hierro de soporte y luego coloque el extremo inferior de la pata fija en la tercera ranura de la parte inferior del hierro de soporte.

Limpieza de la caja de almacenamiento de hielo

- Cuando necesite usar mucho hielo, tomar hielo irregular o necesite limpiar la caja de almacenamiento de hielo, puede sacar la caja de almacenamiento de hielo, pero no tarde en volver a colocarla.



- Sostenga el botón de la caja de almacenamiento de hielo con la mano, presiónelo suavemente y luego extráigala horizontalmente.

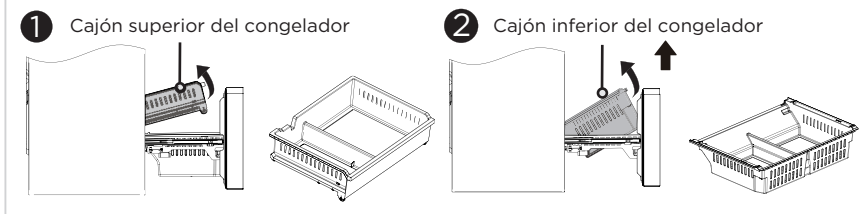


- Empuje la caja de almacenamiento de hielo ligeramente hacia adentro después de limpiarla.

● ATENCIÓN

- En el proceso de extracción, si los cubitos de hielo caen en el compartimiento de la máquina de hielo, límpielos a tiempo.
- Si los cubitos de hielo no se usan durante mucho tiempo, límpielos a tiempo.
- Cuando necesite usar muchos cubitos de hielo, tomar hielo irregular o necesite limpiar la caja de almacenamiento de hielo, puede sacar la caja de almacenamiento de hielo, pero no tarde en volver a colocarla.
- Cuando la caja de almacenamiento de hielo no se pueda instalar en su lugar, gire la parte posterior como se ilustra para alinearla con la posición correspondiente en el tanque de hielo.

Limpieza del cajón del congelador



Cajón superior del congelador:

- Abra la puerta del compartimiento del congelador al máximo, levante la parte posterior del cajón del compartimiento del congelador y retírelo.

Cajón inferior del congelador:

- Abra la puerta del compartimiento del congelador al máximo, levante la parte posterior del cajón inferior del congelador y levántelo.

⚠ ATENCIÓN

Nota: No retire el cajón inferior del congelador si no es necesario.

No use

Fallo de alimentación:

En caso de un fallo de alimentación, incluso en verano, los alimentos en el interior del aparato pueden mantenerse durante varias horas; durante un fallo de alimentación, se debe reducir las veces que se abre la puerta y no se deben colocar más alimentos frescos en el aparato.

Ausencia de uso prolongada:

El aparato debe desenchufarse y después limpiarse; posteriormente, las puertas se dejan abiertas para evitar los malos olores.

Traslado:

Antes de mover el refrigerador, extraiga todos los objetos al exterior, fije las partes de cristal, el soporte de las verduras, los cajones de la cámara de congelación, etc. con cinta y apriete los pies de nivelación; cierre las puertas y fíjelas con cinta. Durante el traslado, no se debe colocar el aparato al revés u horizontalmente o hacer que vibre; la inclinación durante el movimiento no será superior a 45°.

⚠ ATENCIÓN

El aparato debe funcionar de forma continua una vez que se enciende. En general, el funcionamiento del aparato no debe interrumpirse; el caso contrario, se puede ver alterada su vida útil.

En caso de corte de energía, los alimentos se pueden conservar durante un par de horas; evite abrir frecuentemente la puerta.

RESOLUCIÓN DE PROBLEMAS

El usuario puede resolver los siguientes problemas sencillos. Llame al servicio de posventa si los problemas no se resuelven.

Problema	Posible causa
Fallo en el funcionamiento	• Compruebe si el aparato está conectado a la alimentación o si el enchufe tiene bien los contactos.
	• Compruebe si la tensión es demasiado baja.
	• Compruebe si hay un fallo de corriente o han saltado los circuitos parciales.
Mal olor	• Se deben envolver bien los alimentos que produzcan mal olor.
	• Compruebe si hay alimentos podridos.
	• Limpie el interior del refrigerador.
Funcionamiento durante mucho tiempo del compresor.	• El funcionamiento prolongado del refrigerador es normal en verano.
	• Cuando la temperatura ambiente es alta. No es recomendable tener demasiada comida en el aparato al mismo tiempo
	• Se deben enfriar los alimentos antes de empezar a ponerlos en el aparato.
	• Las puertas se abren con demasiada frecuencia.
La luz no se enciende.	• Compruebe si el refrigerador está conectado a la alimentación y si la luz que se debe iluminar presenta daños.
	• Recorra a un técnico especializado para reemplazar la lámpara
La puerta no se puede cerrar correctamente	• La puerta está atascada con paquetes de comida Se ha colocado demasiada comida
	• El refrigerador está inclinado.
Ruido alto	• Compruebe si el suelo está nivelado y si el refrigerador está colocado de forma estable.
	• Compruebe si los accesorios están colocados en las ubicaciones adecuadas.

ES

Problema	Posible causa
El sello de la puerta no está estanco.	<ul style="list-style-type: none"> • Retire materiales extraños del sello de la puerta. • Caliente el sello de la puerta y después refrigérelo para restaurarlo (o sóplelo con un secador eléctrico o use una toalla caliente para calentarlo).
La bandeja de agua se desborda.	<ul style="list-style-type: none"> • Hay demasiados alimentos en la cámara o los alimentos almacenados contienen demasiada agua, lo que produce una descongelación intensa. • Las puertas no están cerradas debidamente lo que provocar hielo debido a la entrada de aire y al aumento de agua debido a la descongelación.
Carcasa caliente	<ul style="list-style-type: none"> • Disipación de calor del condensador incorporado a través de la cubierta, lo cual es normal. Cuando la cubierta se calienta debido a la alta temperatura ambiente, el almacenamiento de demasiados alimentos o el apagado del compresor se apaga, procure una buena ventilación para facilitar la disipación de calor.
Condensación de la superficie	<ul style="list-style-type: none"> • La condensación de la superficie exterior y los sellos de la puerta del refrigerador es normal cuando la humedad ambiente es demasiado alta. Simplemente limpie la condensación con una toallita limpia.
Ruido anormal	<ul style="list-style-type: none"> • Pitido: El compresor puede producir pitidos durante el funcionamiento y los pitidos son altos en especial durante el inicio y la parada. Esto es normal. • Crujido: El refrigerante que fluye por el interior del aparato puede producir crujidos, lo que es normal.

CERTIFICADO DE CUMPLIMIENTO Y CERTIFICACIONES

Declaración de cumplimiento de la Comisión Federal de Comunicaciones (FCC) para EE. UU.

Este equipo cumple con la parte 15 de las normas de la FCC. Su funcionamiento está sujeto a las siguientes dos condiciones: (1) Este equipo no puede causar interferencia dañina y (2) este equipo debe aceptar cualquier interferencia recibida, incluida la interferencia que pueda causar un funcionamiento no deseado.

Nota: Este equipo ha sido probado y se encontró que cumple con los límites para un dispositivo digital de Clase B, de conformidad con la parte 15 de las Reglas de la FCC. Estos límites están diseñados para brindar una protección razonable contra interferencias dañinas en una instalación residencial. Este equipo genera, usa y puede irradiar energía de radiofrecuencia y, si no se instala y usa de acuerdo con las instrucciones, puede causar interferencias dañinas en las comunicaciones por radio. Sin embargo, no hay garantía de que no se produzcan interferencias en una instalación en particular. Si este equipo causa interferencias dañinas en la recepción de radio o televisión, lo que se puede determinar apagando y encendiendo el equipo, se recomienda al usuario que intente corregir la interferencia mediante una o más de las siguientes medidas:

- Reorientar o reubicar la antena receptora.
- Aumente la separación entre el equipo y el receptor.
- Conecte el equipo a una toma de corriente de un circuito diferente al que está conectado el receptor.
- Consulte al distribuidor o a un técnico experimentado en radio/TV para obtener ayuda.

Este equipo cumple con los límites de exposición a la radiación de la FCC establecidos para un entorno no controlado.

Declaración de cumplimiento de Industry Canada (IC) para Canadá

Este equipo cumple con los estándares RSS exentos de licencia de Industry Canada. Su funcionamiento está sujeto a las siguientes dos condiciones: (1) este equipo no puede causar interferencia y (2) este equipo debe aceptar cualquier interferencia, incluida la interferencia que pueda causar un funcionamiento no deseado del dispositivo.

CAN ICES-003(B)/NMB-003(B)

Midea no es responsable de ningún cambio o modificación no aprobado expresamente por Midea. Dichas modificaciones podrían anular la autoridad del usuario para operar el equipo.

Para el modelo: MWB-S-WB01

FCC ID: 2ADQOMWB-SWB01



GARANTÍA LIMITADA DEL REFRIGERADOR MIDEA

ADJUNTE SU RECIBO AQUÍ. SE REQUIERE EL COMPROBANTE DE COMPRA PARA OBTENER EL SERVICIO DE GARANTÍA.

Tenga a mano la siguiente información cuando llame al Centro de Atención al Cliente:

- Nombre, dirección y número de teléfono
- Número de modelo y número de serie
- Una descripción clara y detallada del problema.
- El comprobante de compra que incluya el nombre y la dirección del distribuidor o minorista.

SI NECESITA SERVICIO:

1. Antes de solicitarnos el servicio, determine si su producto requiere reparación. Es posible resolver algunas preguntas sin recurrir al servicio. Tómese unos minutos para revisar la sección Solución de problemas del Manual del usuario o visite <http://us.Midea.com/support>
2. Todos los servicios de garantía son proporcionados exclusivamente por nuestros proveedores de servicios Midea autorizados., en los Estados Unidos y en Canadá.

Servicio de atención al cliente de Midea

En EE. UU. o Canadá, llame al 1-866-646-4332.

Si se encuentra fuera de los 50 estados de los Estados Unidos o Canadá, comuníquese con su distribuidor autorizado de Midea para determinar si se aplica otra garantía.

1 AÑO DE PIEZAS Y MANO DE OBRA

QUÉ ESTÁ CUBIERTO

GARANTÍA LIMITADA DEL PRIMER AÑO (PIEZAS Y MANO DE OBRA)

Midea reparará o reemplazará, sin cargo, cualquier defecto debido a materiales o mano de obra defectuosos durante un año completo a partir de la fecha de compra. Habrá disponibles actualizaciones y soporte técnico de 8 a 12 años que pueden ayudar a los clientes a planificar el uso y el mantenimiento seguros de su aparato durante un período de tiempo apropiado.

www.midea.com o llame al 1-866-646-4332.

El consumidor será responsable de:

- Los costos de diagnóstico, remoción, transporte y reinstalación debido al servicio.
- Los costos de llamadas de servicio que son el resultado de ítems listados en

RESPONSABILIDADES NORMALES DEL CONSUMIDOR**

RESPONSABILIDADES NORMALES DEL CONSUMIDOR**

Esta garantía se aplica solo a productos de uso doméstico normal. Los propietarios de viviendas y los usuarios domésticos individuales son los clientes previstos para este dispositivo y el consumidor es responsable de los artículos que se enumeran a continuación:

1. Uso adecuado del aparato de acuerdo con las instrucciones proporcionadas con el producto.
2. Mantenimiento de rutina y limpieza necesarios para mantener el buen estado de funcionamiento.
3. Instalación adecuada por parte de un técnico autorizado de acuerdo con las instrucciones provistas con el aparato y de acuerdo con todos los códigos locales de plomería, electricidad y/o gas.
4. Conexión adecuada a una fuente de alimentación con toma a tierra de voltaje suficiente, reemplazo de fusibles quemados, reparación de conexiones sueltas o defectos en el cableado de la casa.
5. Gastos para que el aparato sea accesible para su mantenimiento.
6. Daños al acabado después de la instalación.

SU ÚNICO Y EXCLUSIVO RECURSO BAJO ESTA GARANTÍA LIMITADA SERÁ LA REPARACIÓN O EL REEMPLAZO DEL PRODUCTO SEGÚN SE ESTABLECE EN EL PRESENTE DOCUMENTO. El servicio debe ser proporcionado por una empresa de servicios designada por Midea. Esta garantía limitada es válida sólo en los 50 estados de los Estados Unidos o Canadá y se aplica sólo cuando el electrodoméstico principal se usa en el país en el que se compró. Esta garantía limitada entra en vigencia a partir de la fecha de compra original por parte del consumidor. Se requiere comprobante de la fecha de compra original para obtener servicio bajo esta garantía limitada.

QUÉ NO ESTÁ CUBIERTO

1. Fallas causadas por daños a la unidad mientras está en su posesión (aparte de los daños causados por defectos o mal funcionamiento), por su instalación incorrecta o por el uso irrazonable del producto, que incluye, entre otros, la falta de mantenimiento razonable y necesario o el incumplimiento del Manual de instalación e instrucciones escritas.
2. Los productos comprados "tal cual" o reacondicionados no están cubiertos por esta garantía.
3. Pérdida de alimentos causada por fallas en el refrigerador o el congelador.
4. Llamadas de servicio para reparar o reemplazar consumibles como filtros de agua, bombillas, filtros de aire, etc., o manijas, perillas y otras piezas decorativas.
5. Producto que ha sido transferido de su dueño original.
6. Óxido interior o exterior en la unidad.
7. Daños causados por servicios realizados por personas ajenas a los servicios autorizados de Midea; uso de piezas que no sean piezas de repuesto de Midea; obtenidos de personas distintas al servicio de atención al cliente de Midea; o causas externas como abuso, uso indebido, fuente de alimentación inadecuada o casos fortuitos.
8. Llamadas de servicio resultantes de la instalación incorrecta de su producto.
9. Llamadas de servicio para instruirle sobre el uso de su producto.
10. Recargos que incluyen, pero no se limitan a, llamadas de servicio fuera de horario, fines de semana o feriados, peajes, cargos por viaje en ferry o gastos de millaje para llamadas de servicio a áreas remotas, incluido el estado de Alaska.
11. Si la unidad se destina a fines comerciales, de alquiler o de otro tipo o aplicación que no sea el uso doméstico, no ofrecemos garantías, expresas o implícitas, incluidas, entre otras, cualquier garantía implícita de comerciabilidad o idoneidad para un uso o propósito particular. .
12. Producto que ha sido retirado fuera de EE. UU. o Canadá.
13. Productos sin números de serie originales o productos que tienen números de serie que han sido alterados o no pueden determinarse fácilmente.

NOTA: Algunos estados no permiten la exclusión o limitación de daños incidentales o consecuentes. En tal caso, es posible que esta limitación o exclusión no se aplique a usted.

El costo de reparación o reemplazo bajo estas circunstancias excluidas correrá a cargo del comprador.

DESCARGO DE GARANTÍAS IMPLÍCITAS

LAS GARANTÍAS IMPLÍCITAS, INCLUIDA CUALQUIER GARANTÍA IMPLÍCITA DE COMERCIABILIDAD O GARANTÍA IMPLÍCITA DE IDONEIDAD PARA UN PROPÓSITO EN PARTICULAR, ESTÁN LIMITADAS A UN AÑO O EL PERÍODO MÁS CORTO PERMITIDO POR LA LEY. Algunos estados y provincias no permiten limitaciones en la duración de las garantías implícitas de comerciabilidad o idoneidad, por lo que es posible que esta limitación no se aplique a usted. Esta garantía le otorga derechos legales específicos y también puede tener otros derechos que varían de un estado a otro o de una provincia a otra.

DESCARGO DE REPRESENTACIONES FUERA DE LA GARANTÍA

Midea no se responsabiliza de la calidad, durabilidad o necesidad de servicio o reparación de este electrodoméstico principal que no sean las representaciones contenidas en esta garantía. Si usted desea una garantía más amplia o más completa que la garantía limitada que viene con este electrodoméstico principal, consulte a Midea o a su distribuidor acerca de la compra de una garantía extendida.

LIMITACIÓN DE RECURSOS; EXCLUSIÓN DE DAÑOS INCIDENTALES Y CONSECUENTES

SU ÚNICO Y EXCLUSIVO RECURSO BAJO ESTA GARANTÍA LIMITADA SERÁ LA REPARACIÓN DEL PRODUCTO SEGÚN LO ESTABLECIDO EN EL PRESENTE DOCUMENTO. MIDEA NO SERÁ RESPONSABLE POR DAÑOS INCIDENTALES O CONSECUENTES.

Algunos estados y provincias no permiten la exclusión o limitación de daños incidentales o consecuentes, por lo que es posible que estas limitaciones y exclusiones no se apliquen en su caso. Esta garantía le otorga derechos legales específicos y también puede tener otros derechos que varían de un estado a otro o de una provincia a otra.

ES



make yourself at home



www.midea.com

© Midea 2022 all rights reserved