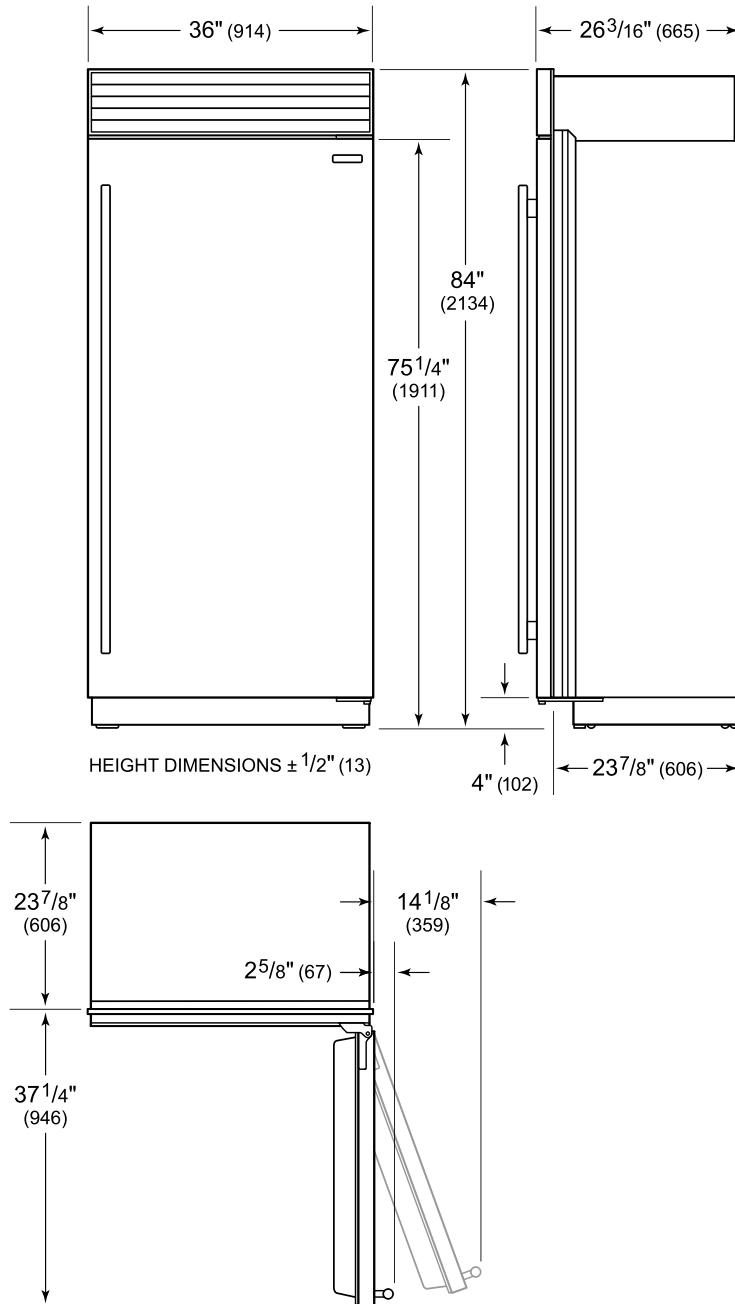
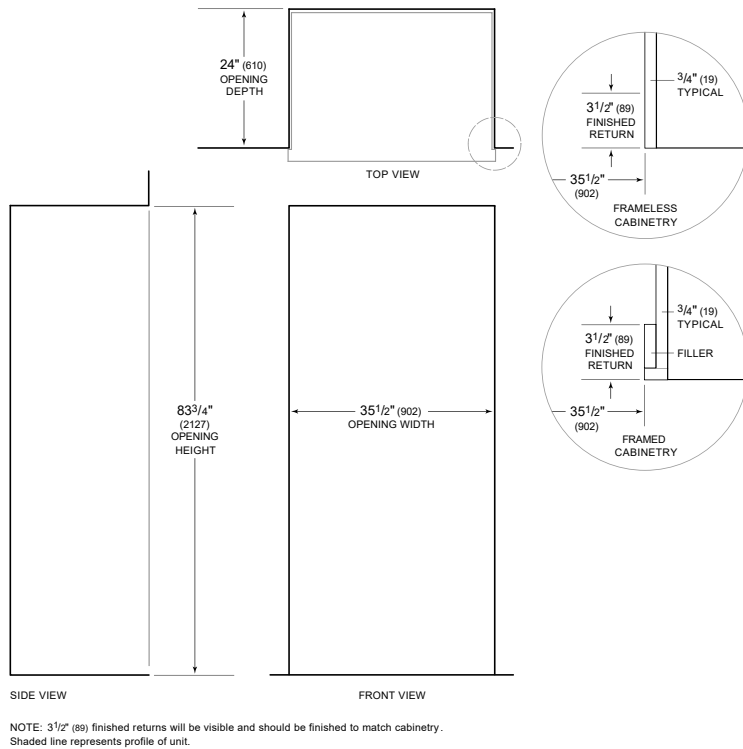


# Dimensions



# Standard Installation

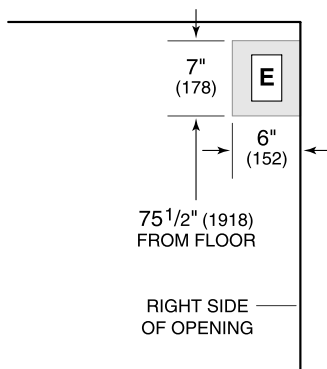


# Electrical Requirements

## Electrical Requirements

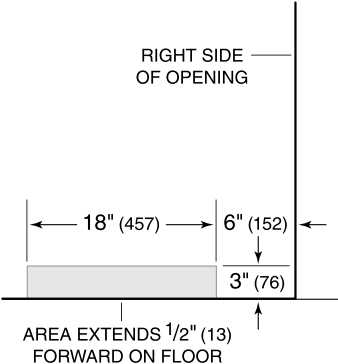
Electrical Supply 115 VAC, 60 Hz  
 Electrical Service 15 amp dedicated circuit

## Electrical Location Illustration



# Plumbing Requirements

Plumbing Supply Illustration



# Interior View

