

INSTALLATION
GUIDE

GUIDE
D'INSTALLATION

GUIA DE
INSTALACION

Model/Modele/Modelo

T24UC925DS

T24UC915DS

T24UC905DP

Refrigerator Freezer Drawers

Réfrigérateur Congélateur Tiroirs

Refrigerador de doble cajón con congelador

Thermador[®]

IMPORTANT: Before you begin, read these instructions completely and carefully.

INSTALLER: Please leave this manual with owner for future reference.

OWNER: Save these installation instructions for local electrical inspector's use and for future reference.

Table of Contents

Important Safety Instructions	3
- Inspect the Refrigerator	
Tools needed for installation	4
Materials supplied	4
Installing the appliance	5
- Transporting	
- General measures	
- Installation location	
- Installing side-by-side	
Ventilation	9
Connecting the appliance	9
- Water Supply	
- Electrical connections	
Installing the anti-tip-bracket	12
Installing the overlay panel	16
Customer Service Information	18

Important Safety Instructions

READ AND SAVE THESE INSTRUCTIONS!

These installation instructions are intended for use by qualified installers.

In addition to these instructions, the appliance shall be installed:

- In the United States, in accordance with the National Electric Code/State and municipal codes and/or local codes.
- In Canada, in accordance with the Canadian Electric Code C22.1 –latest edition/Provincial and Municipal codes and/or local codes.

Be sure to observe all listed warnings and cautions.

Look for the triangles with exclamation marks inside.



WARNING:

This indicates that death or serious injury may result due to non-observance of this warning.



CAUTION:

This indicates that minor or moderately severe injury may result due to non-observance of this warning.

NOTE:

This is used to draw the user's attention to something in particular.

State of California Proposition 65 Warnings:



WARNING

This product can expose you to chemicals including vinyl chloride, which is known to the State of California to cause cancer and birth defects or other reproductive harm. For more information go to www.P65Warnings.ca.gov.

Important

- **NEW INSTALLATION** – If the appliance is a new installation, most of the work must be done before the unit is moved into place.
- **REPLACEMENT** – If the appliance is replacing another appliance, the connections for the appliance being replaced **must be checked for compatibility** with the new unit and replaced as necessary.

Inspect the Refrigerator

Remove all tape, packaging and plastic covers.

After unpacking the appliance and prior to installation, thoroughly inspect the Refrigerator for possible freight or cosmetic damage. Report any damage immediately.

NOTE: Please do not discard any bags or items that come with the original package until after the entire installation has been completed!

Tools needed for installation



Tape Measure



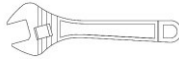
Philips Screwdriver



Level



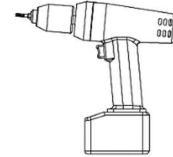
Flat-blade screwdriver



Adjustable wrenches



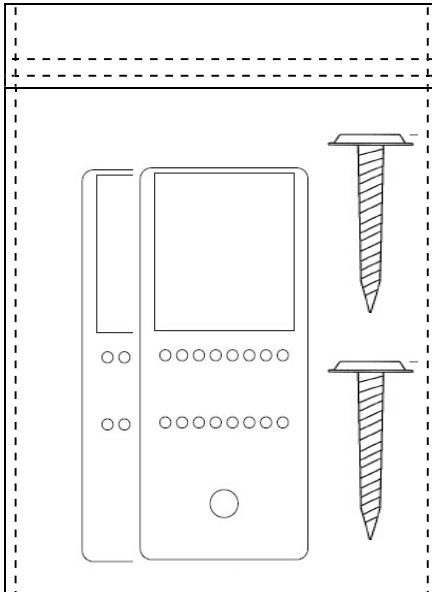
1/4" Nut driver



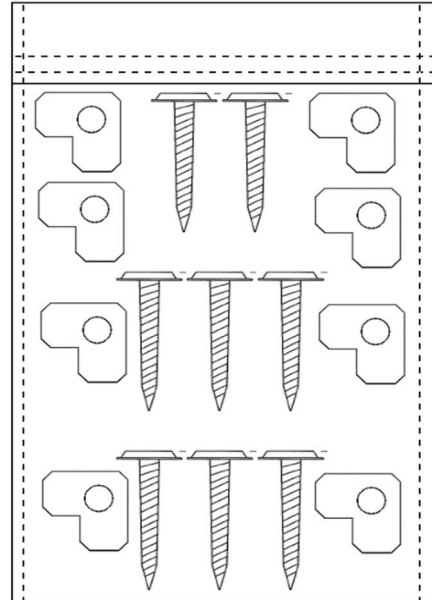
1/4" Drill bit & drill

These are the tools that you may need for the installation of the appliance. However, if you need to modify the counter or cabinetry to fit the unit, you may need other tools to make counter/cabinetry modifications before installing the appliance.

Materials supplied



Anti-tip-bracket. 2 pieces.
Screws: 2 pieces.
1 Insulating Foam (Not illustrated) 20 1/2" (520mm) x 29 1/8" (740mm) x 1/8" (3mm)



KIT ALSO INCLUDES ONLY FOR T24UC905DP MODELS:
Wood Screws: 8 pieces
Overlay support: 8 pieces

Installing the appliance

Most of the installation work must be done before the Refrigerator is moved into place. Have a qualified technician install and connect the appliance according to the enclosed installation instructions.

WARNING:

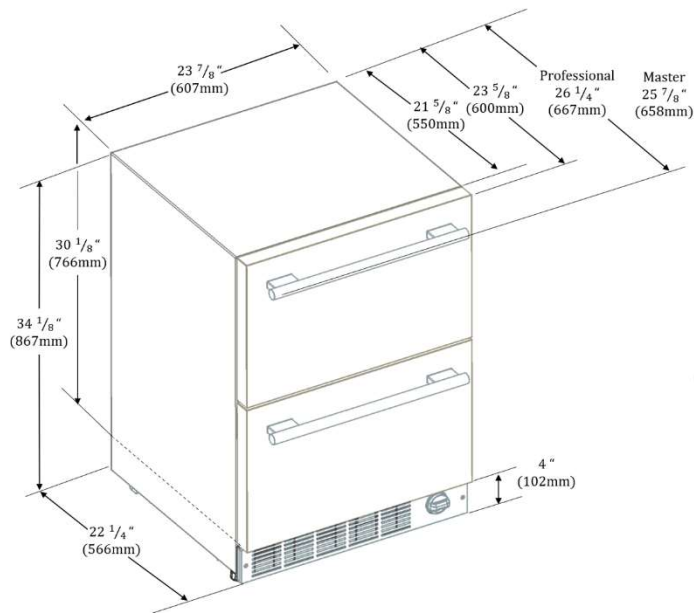
Do not install this appliance:

- Outdoors
- In an environment with dripping water
- In rooms where there is a risk of frost

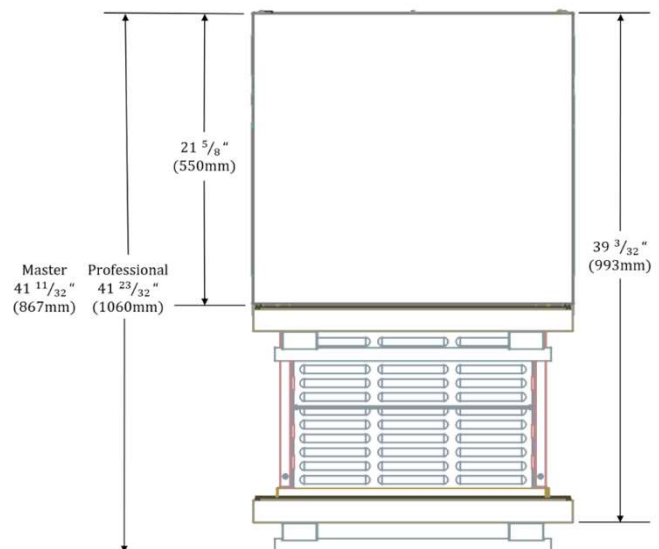
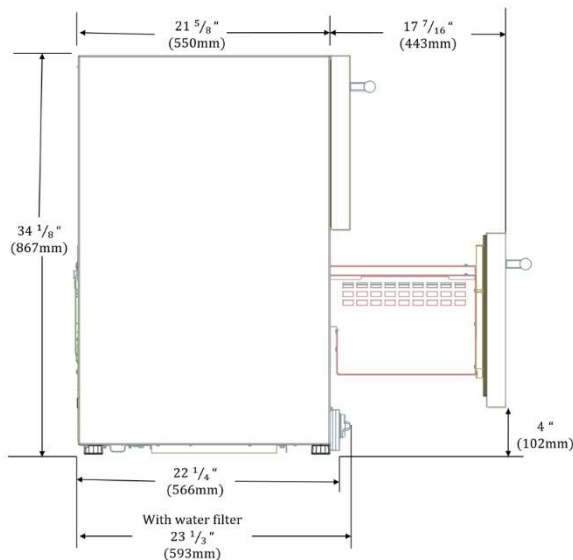
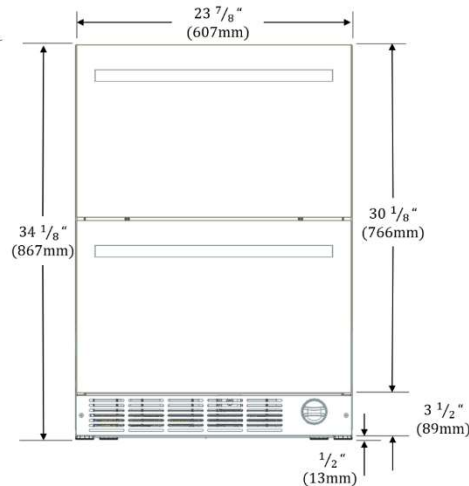
Transporting

The appliance is heavy and must be handled with caution during transportation and installation. Because of the weight and dimensions of the appliance, at least two persons are necessary to move the appliance into position securely and avoid injuries to people or damage to the appliance.

General measures



Note: With the legs fully retracted the appliance has a minimum dimension of 34 1/8" from top to bottom. The legs can be extended up to 1/2" (13mm).



Installation location

A dry, well ventilated room is suitable as an installation location. The installation location should not be exposed to direct sunlight and not placed near a heat source, e.g. a cooker, radiator, etc.

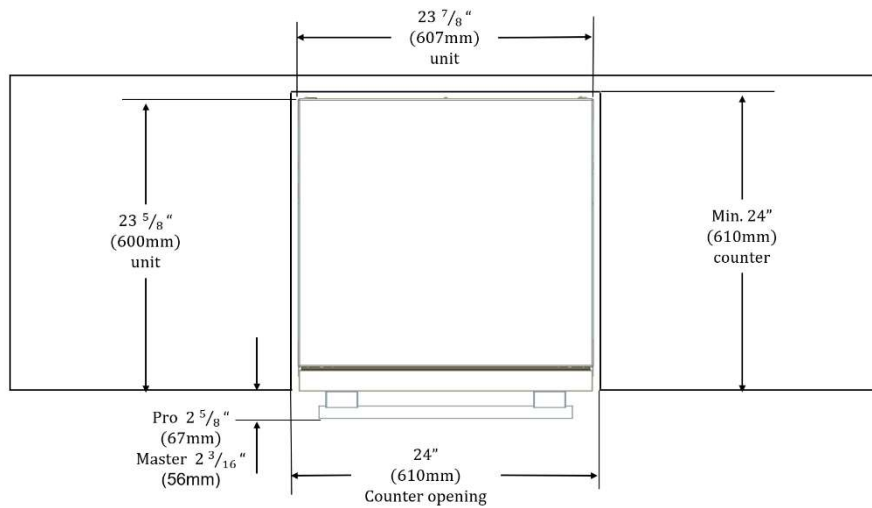
If installation next to a heat source is unavoidable, use a suitable insulating plate or observe the following minimum distance from the heat source:

- To electric or gas oven/range 1¼" (3 cm).
- To an oil or coal-fired cooker 11¹³/₁₆" (30cm).
- To another Refrigerator or Wine Reserve 1" (2.54cm).

The floor of the installation location must not give way; if necessary, reinforce floor. The appliance must be upright and level to function correctly.

For proper operation and appearance of the unit, the cabinet opening should be square and have dimensions as shown in the next diagrams.

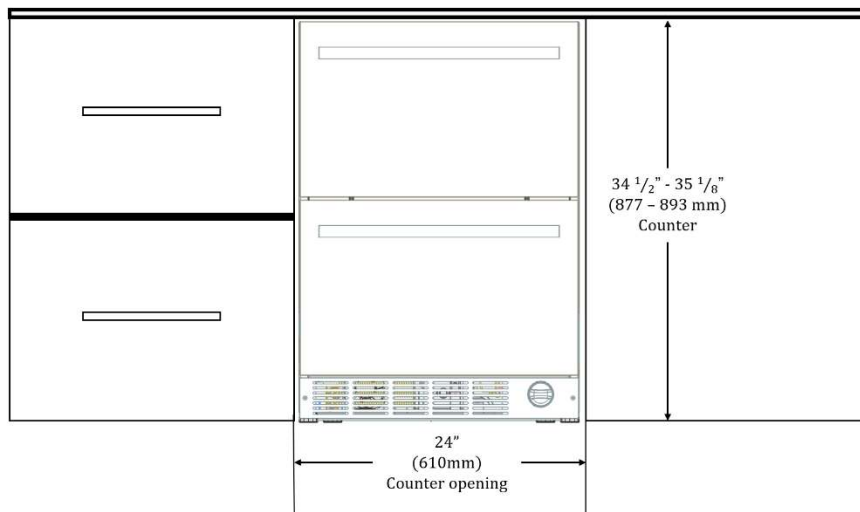
Top View



Thermador double drawer under counter top dimension.
(Unit door flushed with the cutout)

Measurements in inches (mm)

Frontal view

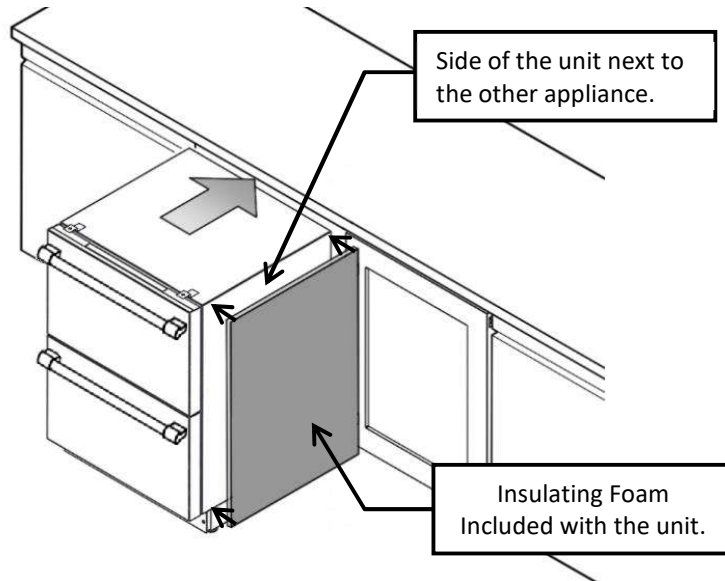


measurements in inches (mm)

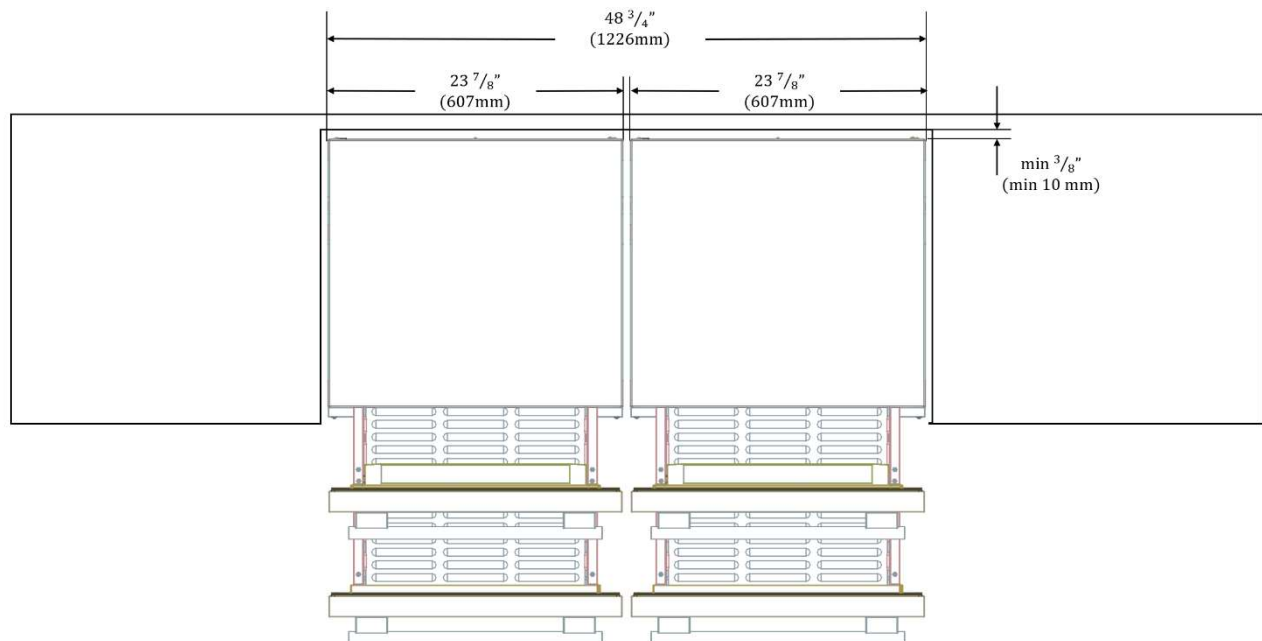
Installing Side-by-Side

The appliance can be installed beside another Thermador appliance. Follow the next dimensions and notes for the correct installation of the appliance in a side-by-side layout.

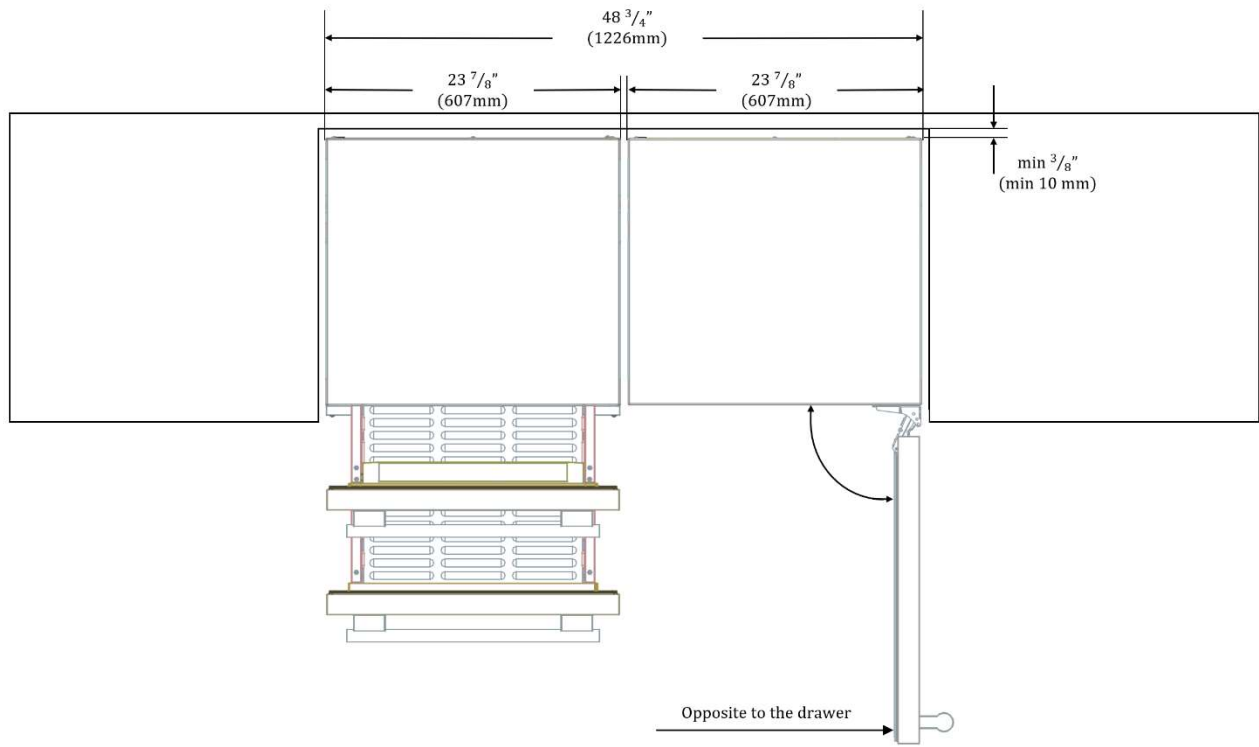
NOTE: Before placing the unit into the niche, adhere the Insulating Foam (included with the product) on the side of the unit that will be placed next to the additional appliance. Be sure that the Insulating Foam is even with the surface of the unit and that there are no bubbles or bumps on the Insulation Foam after adhering it to the unit.



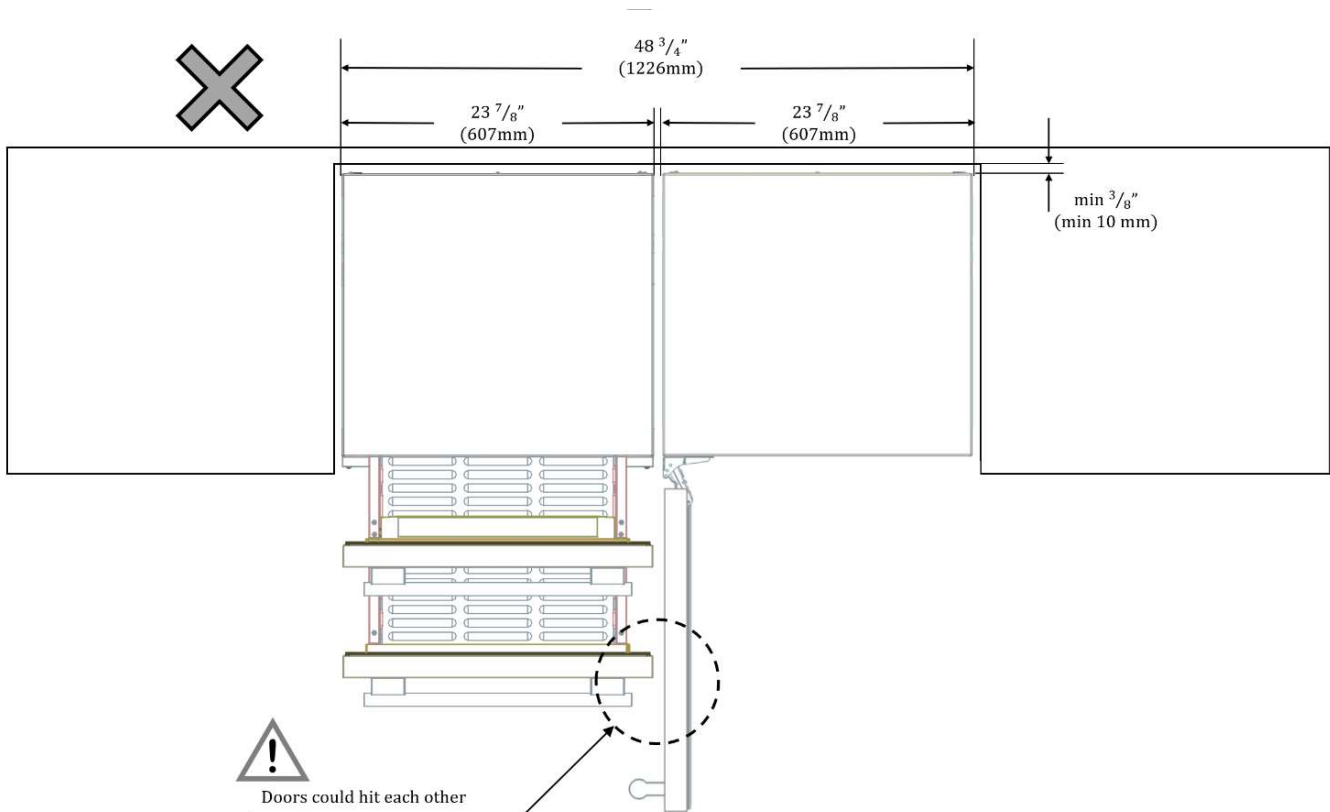
Two Double Drawer Refrigerators side-by-side.



One Double Drawer and one swing door appliance: opening of the door should be opposite to the Double Drawer to avoid interference or damage by hitting.



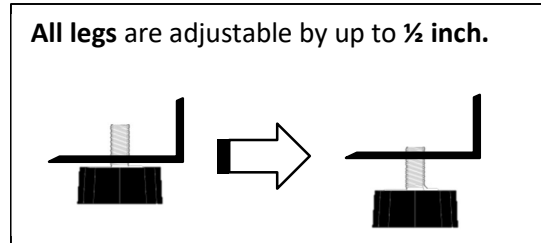
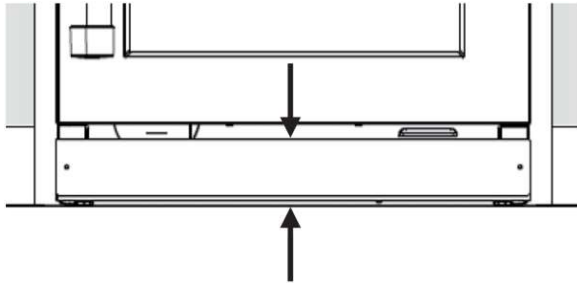
Do not place a swing door appliance with the opening of the door right beside the Double Drawer. The drawers and the door may impact each other damaging the units.



Ventilation

The Refrigerator unit is ventilated only at the Toe-Kick in the base. Never cover that area or place anything in front of it. Otherwise the refrigeration cooling performance will be affected and the unit must work harder increasing power consumption.

Additionally, make certain **all 4 leveling legs are extended** (unit height approximately 34 $\frac{3}{4}$ "), so that there is sufficient airflow underneath the appliance.



Connecting the appliance

Connect to water supply

IMPORTANT:

- If you turn the refrigerator on before the water line is connected, turn the ice maker OFF.
- All installations must meet local plumbing code requirements.
- Use copper tubing and check for leaks. Install copper tubing only in areas where the household temperatures will remain above freezing.

Water Pressure

The pressure of the water supply coming out of a reverse osmosis system going to the water inlet valve of the refrigerator needs to be between 30 and 120 psi (207 and 827 kPa).

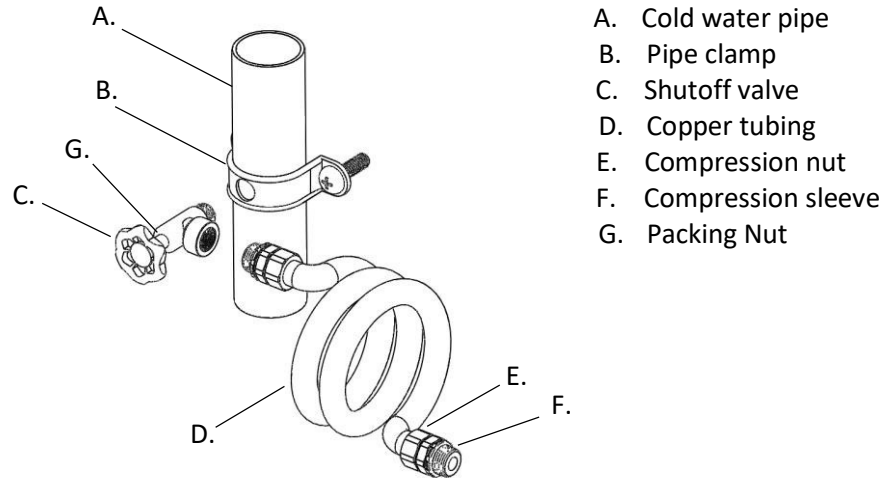
If a reverse osmosis water filtration system is connected to your cold water supply, the water pressure to the reverse osmosis system needs to be a minimum of 40 to 60 psi (276 to 414 kPa). If the water pressure to the reverse osmosis system is less than 40 to 60 psi (276 to 414 kPa):

- Check to see whether the sediment filter in the reverse osmosis system is blocked. Replace the filter if necessary.
- Allow the storage tank on the reverse osmosis system to refill after heavy usage.
- If you have questions about your water pressure, call a licensed, qualified plumber.

Connect to Water Line

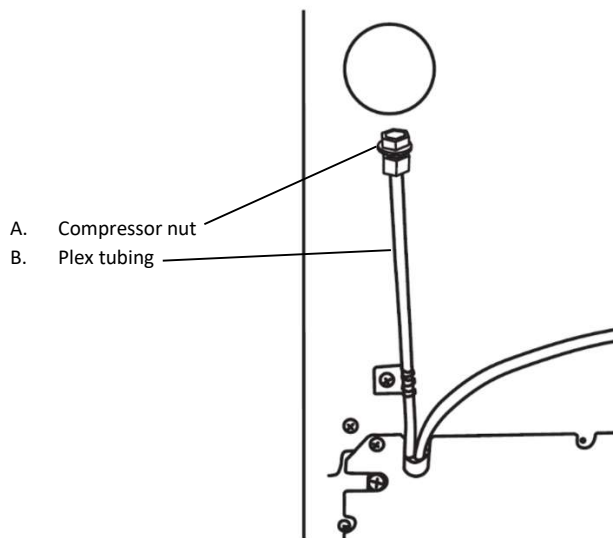
1. Unplug refrigerator or disconnect power.
2. Turn OFF main water supply. Turn ON nearest faucet long enough to clear line of water.
3. Locate a $\frac{1}{2}$ " to $1\frac{1}{4}$ " (1.25 cm to 3.18 cm) vertical cold water pipe near the refrigerator.
 - Make sure it is a cold water pipe.
 - Horizontal pipe will work, but drill on the top side of the pipe, not the bottom. This will help keep water away from the drill and normal sediment from collecting in the valve.
4. Determine the length of copper tubing you need. Measure from the connection on the lower left rear of refrigerator to the water pipe. Add 7 ft (2.1 m) to allow for cleaning. Use $\frac{1}{4}$ " (6.35 mm) O.D. (outside diameter) copper tubing. Be sure both ends of copper tubing are cut square.

5. Using a cordless drill, drill a $\frac{1}{4}$ " hole in the cold water pipe you have selected.
6. Fasten the shutoff valve to the cold water pipe with the pipe clamp. Be sure the outlet end is solidly in the $\frac{1}{4}$ " drilled hole in the water pipe and that the washer is under the pipe clamp. Tighten the packing nut. Tighten the pipe clamp screws slowly and evenly so washer makes a watertight seal. Do not overtighten or you may crush the copper tubing.
7. Slip the compression sleeve and compression nut on the copper tubing as shown. Insert the end of the tubing into the outlet end squarely as far as it will go. Screw compression nut onto outlet end with adjustable wrench. Do not overtighten.
8. Place the free end of the tubing in a container or sink, and turn ON the main water supply. Flush the tubing until water is clear. Turn OFF the shutoff valve on the water pipe. Coil the copper tubing.



Connect to Refrigerator

1. Attach the copper tube to the valve inlet using a compression nut and sleeve as shown. Tighten the compression nut. Do not overtighten.
2. Turn shutoff valve ON.
3. Check for leaks. Tighten any connections (including connections at the valve) or nuts that leak.
4. The ice maker is equipped with a built-in water strainer. If your water conditions require a second water strainer, install it in the $\frac{1}{4}$ " (6.35 mm) water line at either tube connection. Obtain a water strainer from your nearest appliance dealer.
5. Plug in refrigerator or reconnect power.



After installing the appliance, wait at least 1 hour to turn on the appliance. During transportation the oil in the compressor may have flowed into the refrigeration system. Before switching ON the appliance for the first time, clean the interior of the appliance (see chapter “Cleaning the appliance” in the Use & Care Guide).

Electrical connection

⚠ WARNING:

These installation instructions are intended for use by qualified installers.

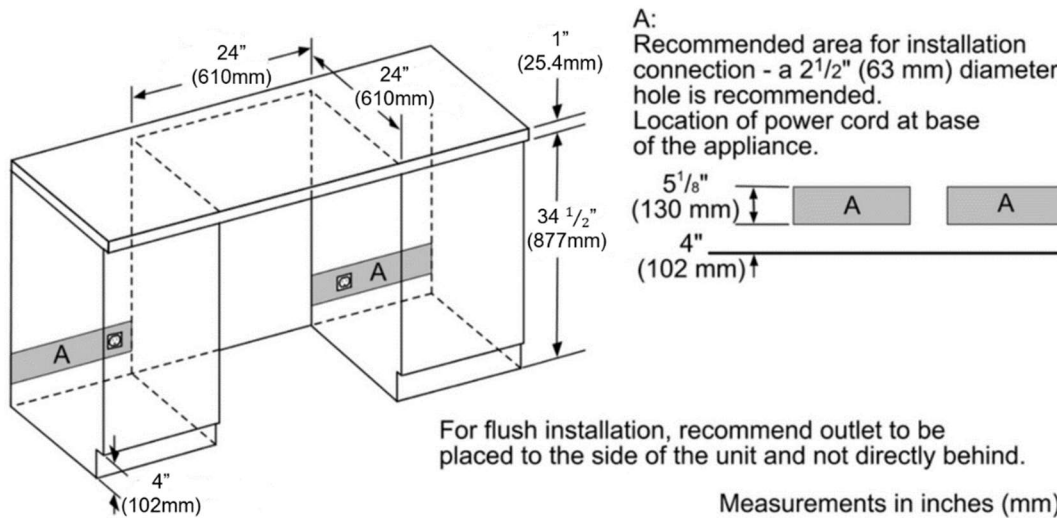
⚠ WARNING:

Avoid the risk of an electric shock!
 Insert into a grounded receptacle.
 Never remove grounding phase.
 Do not use any adapters.
 Do not use any extension cords.

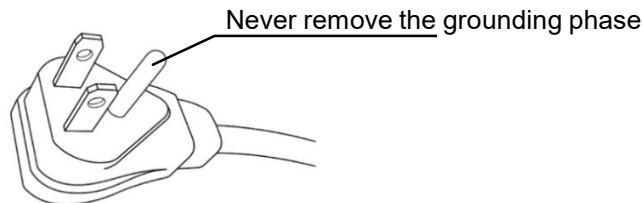
⚠ WARNING:

It is the customer’s responsibility to ensure that the appliance installation is in compliance with all national and local electrical codes and ordinances. Non-compliance with these instructions may result in death, fire or an electric shock.

The receptacle must be near the appliance, 61” (1550mm) to the right of the appliance or 37” (940mm) to the left of the appliance, and also freely accessible following installation of the appliance for future service.



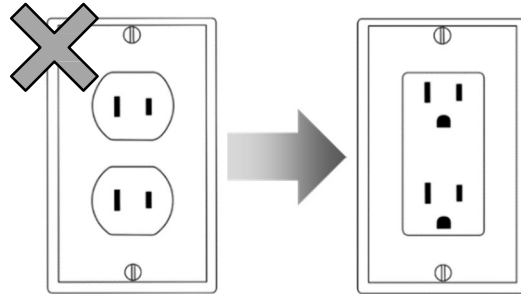
The appliance complies with protection class I. Connect the appliance to 115 V/ 60Hz alternating current via a correctly installed receptacle with grounded terminal. The appliance comes with a UL registered 3-wire power cord NEMA 5-15p type. The appliance requires a 3-pole receptacle.



⚠ WARNING:

Never connect the appliance to electronic energy saver plugs. This appliance can be used with mains and sine-controlled inverters. Main controlled inverters are used for photovoltaic systems which are connected directly to the national grid. Sine-controlled inverters must be used for isolated applications (e.g. on ships or in mountain lodges) which are not connected directly to the national grid.

The appliance requires a 3-pole socket. The socket should be connected by a qualified electrician only. Where there is a 2-pole standard wall socket, it is the responsibility of the customer to have this socket replaced with a correctly grounded 3-pole wall socket. Do not use any adapter plugs. Be sure that the location of your refrigerator has a near and accessible electric socket.



It is recommended that a separate circuit serving only your wine cellar be provided. Use an outlet that cannot be turned off by a switch. Do not use an extension cord. 2-pole standard wall socket must be replaced with a 3-pole grounded socket. Do not use adapters.

Installing the anti-tip-brackets

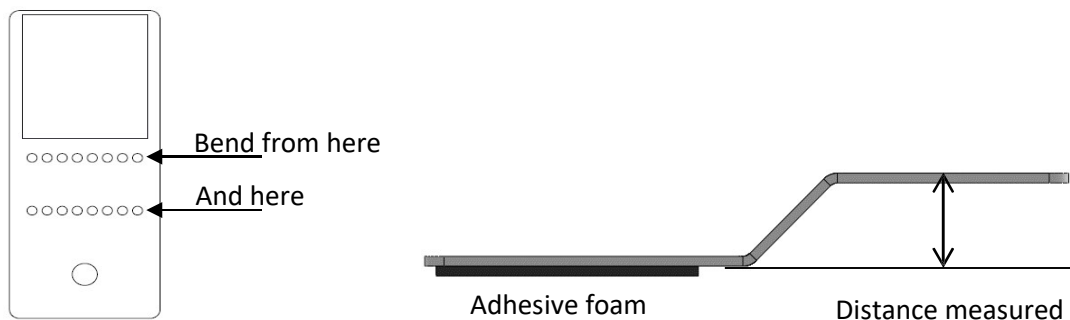
The appliance includes two anti-tip-brackets. If your cabinetry is not designed for the specific dimensions of your appliance, or if you plan to use the appliance as a free-standing unit, you should use these brackets to avoid your appliance tilting due to unbalanced overweight situations where both drawers are opened at the same time.

⚠ WARNING:

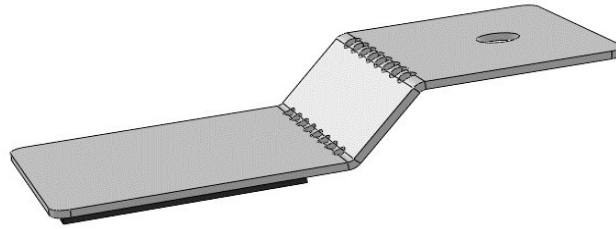
To avoid the appliance tilting due to unbalanced overweight do not open both drawers at the same time. Always close one drawer before pulling out another.

For free-standing use

1. Consider the distance necessary for the appliance to be flush with the front of your cabinetry. If there is no cabinetry, put the unit close to the wall, then take the measurement of the space at the back, between the unit and the wall.
2. Based on the measured distance between the back of the unit and the wall, bend the anti-tip bracket (included with the unit) from the pointed lines to form a “step” with the same Distance measured.



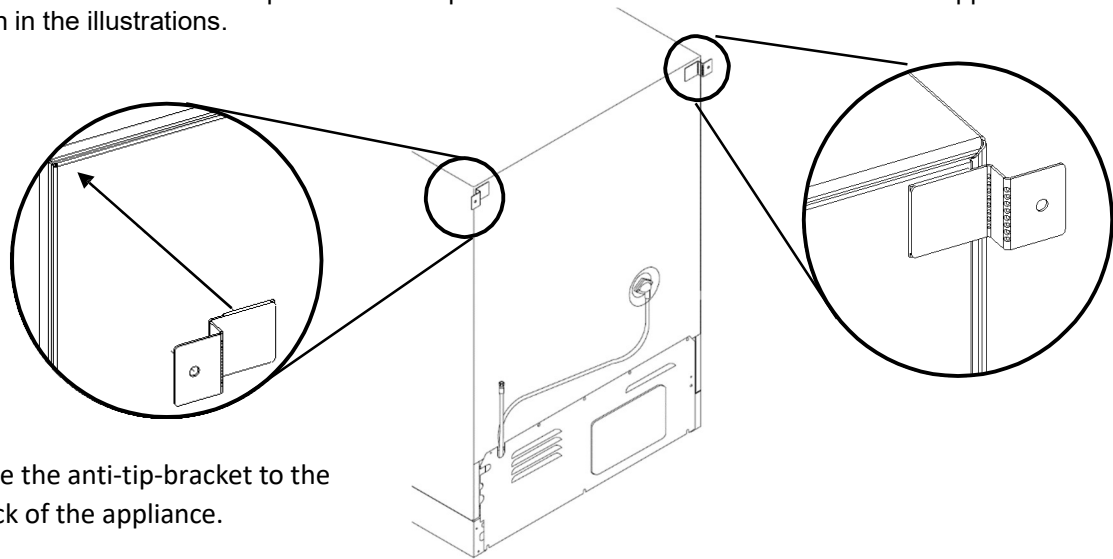
Anti-tip-bracket.
2 pieces.



Resultant formed "step".

NOTE: The adhesive foam must be at the bottom of the step, never on the reverse side.

3. Peel the adhesive foam and paste the anti-tip-bracket at both sides on the back of the appliance as shown in the illustrations.

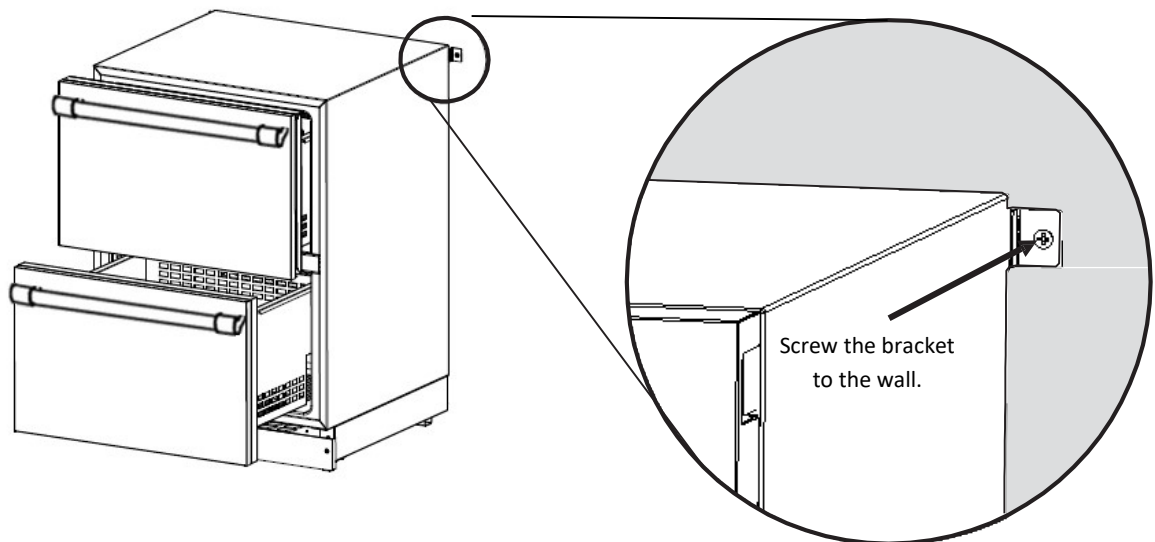


Paste the anti-tip-bracket to the back of the appliance.

4. With the anti-tip-brackets pasted on the back of the appliance, slide the appliance to the wall until the anti-tip-bracket is touching the wall.

Using the screws provided, fasten the anti-tip-bracket to the wall for both sides.

NOTE: Do not fasten the unit to dry wall. Be sure to attach the unit to a solid surface.

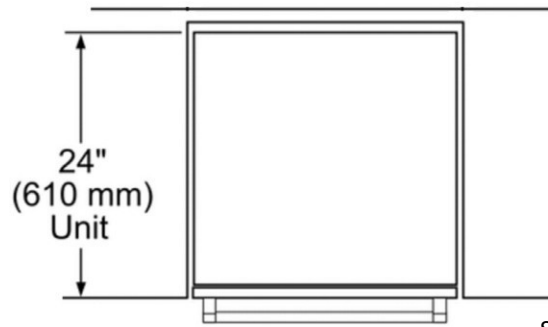


Screw the bracket to the wall.

Repeat on the other side

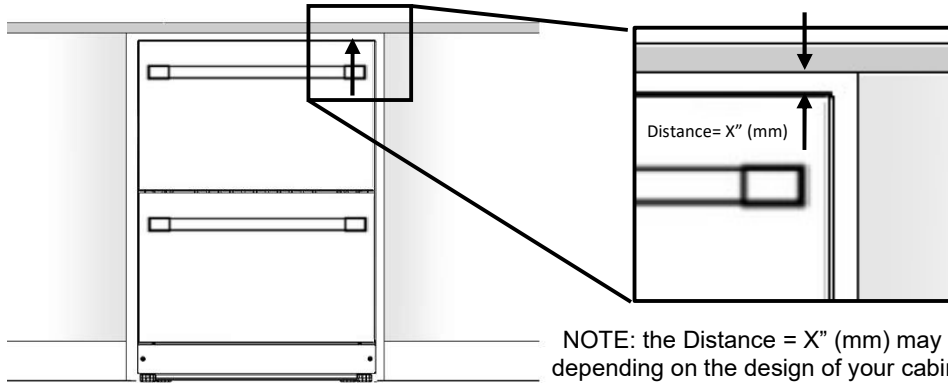
For under counter use

1. Consider the distance necessary for the appliance to be flush with the front of your cabinetry.



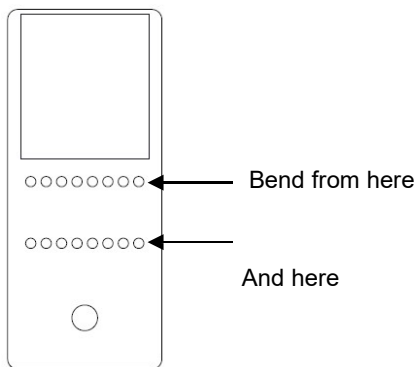
Screw the bracket
to the wall.

2. Take the measurement from the top of the cabinet of the unit to the bottom of the counter. The measurement X"(mm) may vary depending on the design of the counter, extension of the legs of the product, etc.

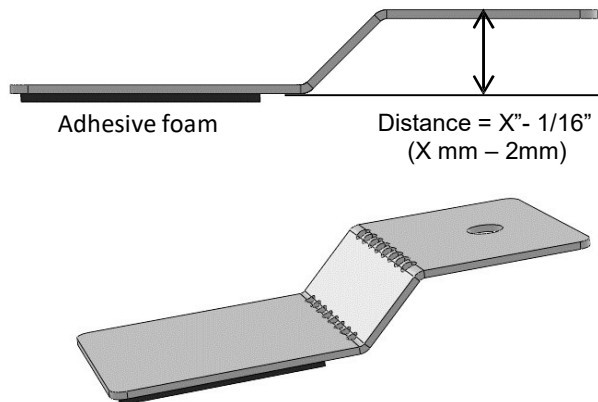


NOTE: the Distance = X" (mm) may vary depending on the design of your cabinetry.

3. Based on the Distance = X" (mm) between the appliance and the counter, bend the anti-tip-brackets included with the appliance on the pointed lines to form a "step" 1/16" (2mm) smaller than the Distance = X" (mm) measured.

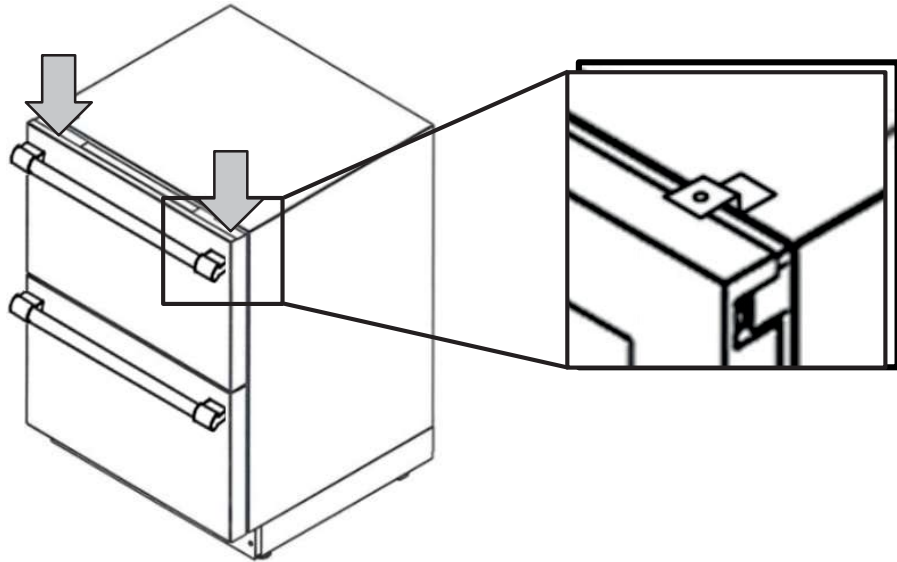


Anti-tip-bracket.
2 pieces.

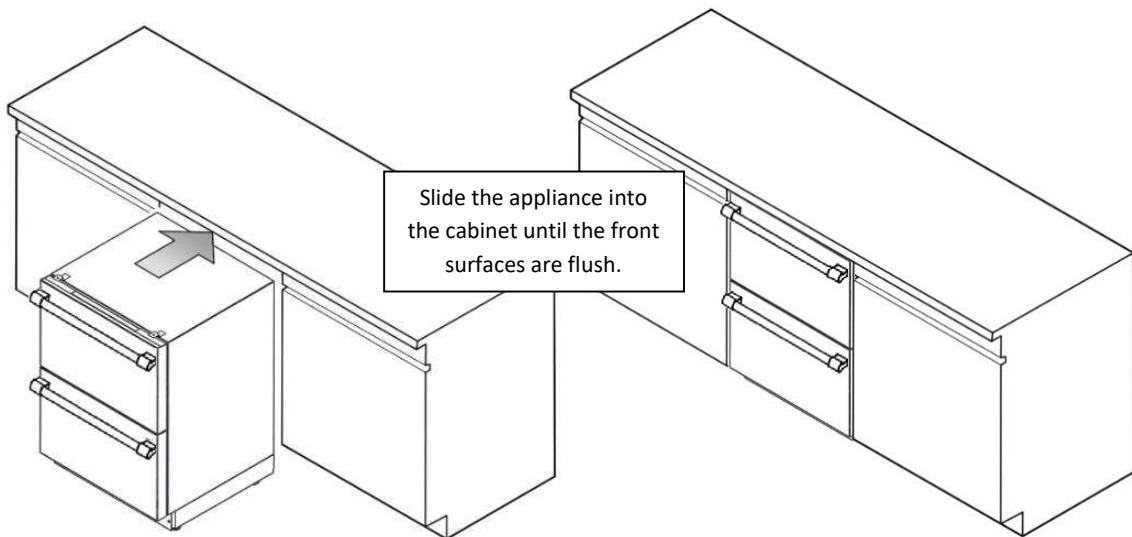


Resultant formed "step".
NOTE: The adhesive foam must be at the bottom of the step, never on the reverse side.

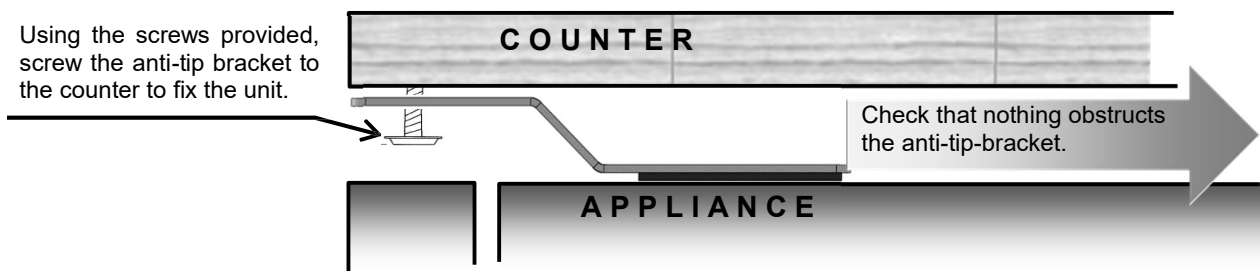
4. Peel the adhesive foam and paste the anti-tip-bracket at the front on the top of the cabinet of the appliance, near the corners as shown in the picture:



5. Slide the appliance into the cabinet until the front of the appliance is flush with the front of the cabinetry. Check that nothing interferes or obstructs the anti-tip-bracket while sliding under the counter.



Using the screws provided, screw the anti-tip bracket to the counter to fix the unit.



Installing the overlay panel

(For T24UC905DP models only)

If you plan to install a custom overlay panel, you will need to create the panel yourself or consult a qualified cabinetmaker or carpenter.

A full sized template for easier marking the hole pattern is included in the manual package.

IMPORTANT:

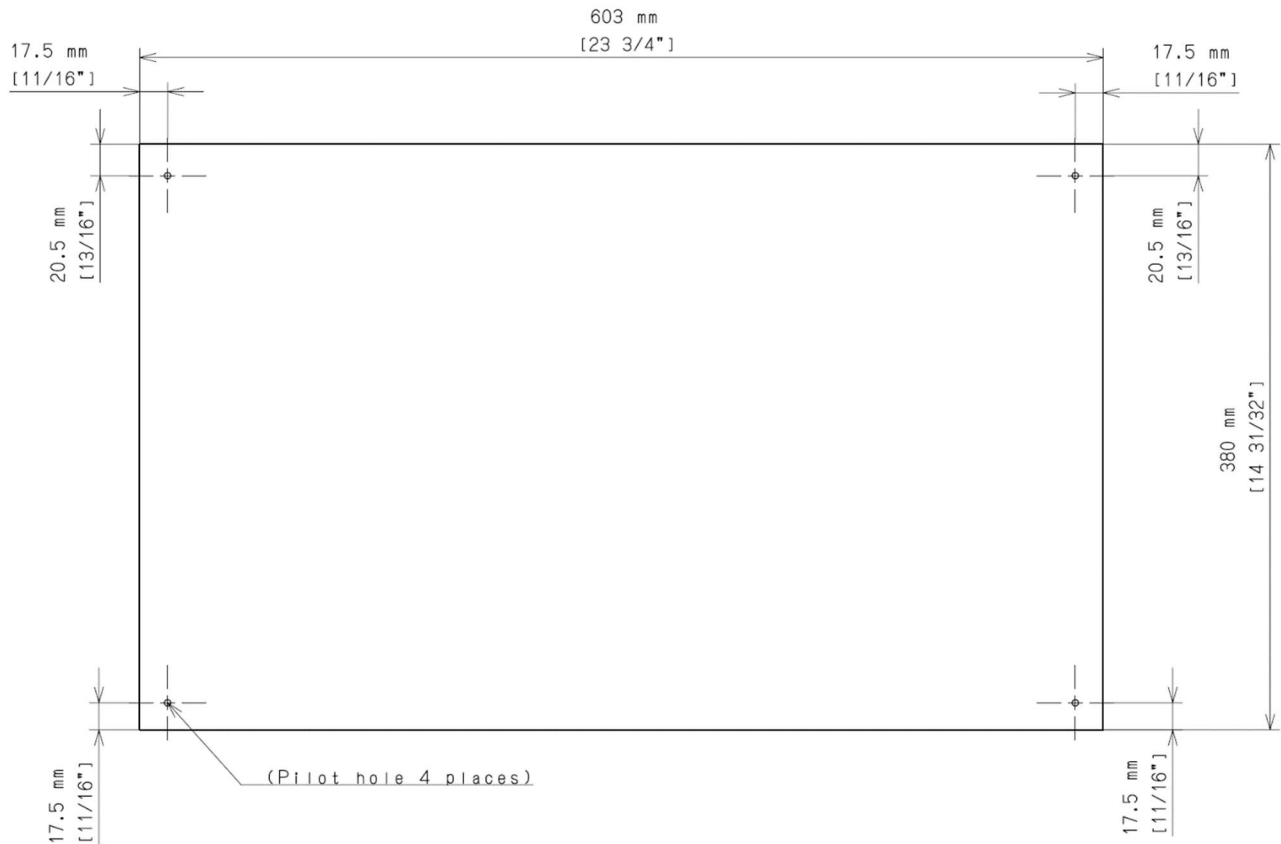
- The thickness of both the overlay panels must be $\frac{3}{4}$ " (19mm).
- Overlay panel must not weigh more than 10lbs (4.54kg) each.
- Overlay panels weighing more than recommended may cause damage to your appliance.
- It is recommended to have the help of a second person to install the panel.
- Use the recommended tools in the installation manual to facilitate the installation of the panel.

Failure to use the recommended tools or the help of a second person may result in damage to panel and/or the appliance.

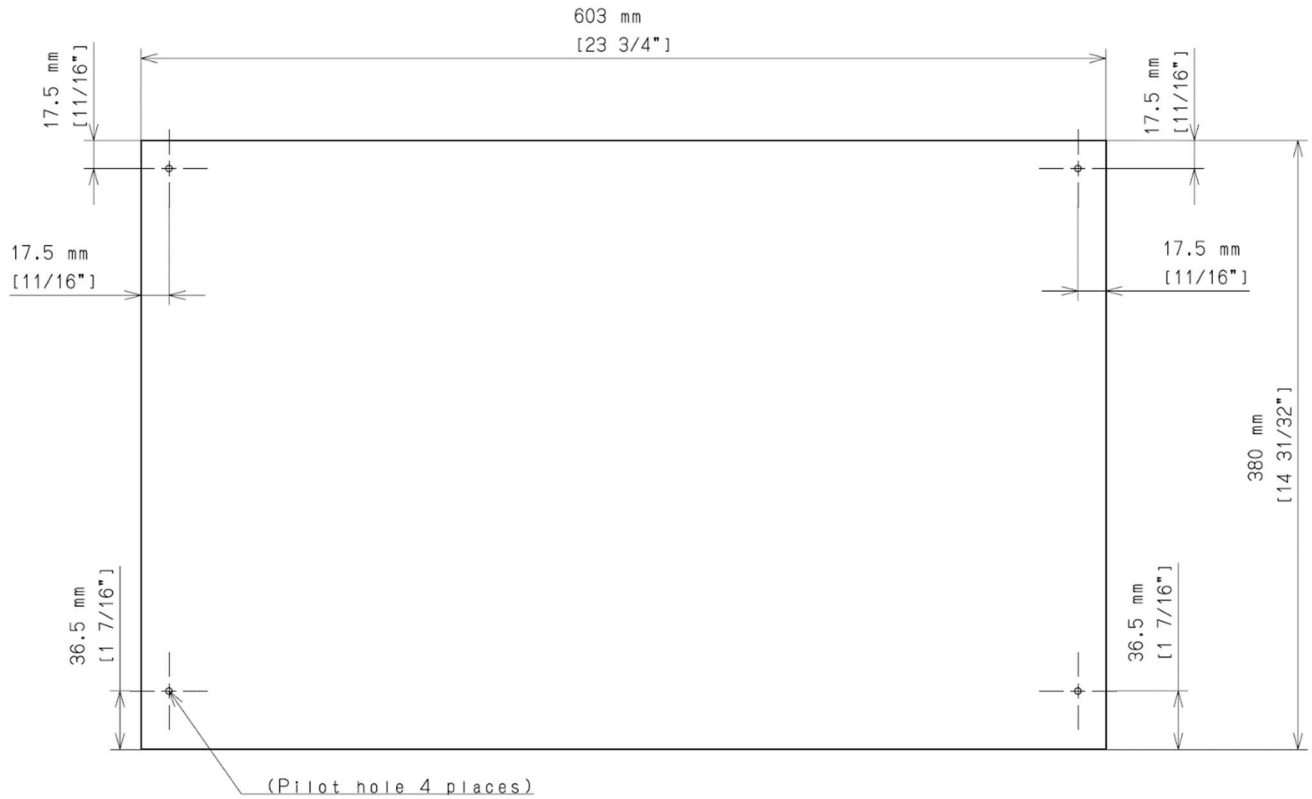
- To install the panel, use only the screws included in the "Installation Kit".

Create the custom overlay panel using the dimensions shown.

Top Panel:

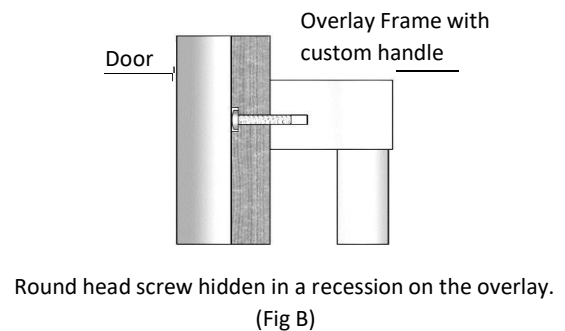
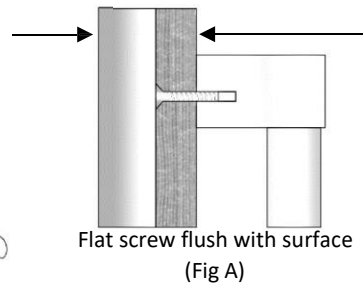
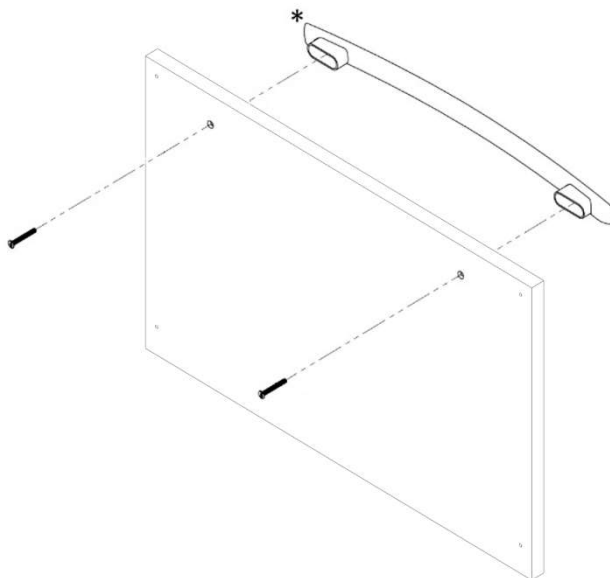


Bottom drawer:



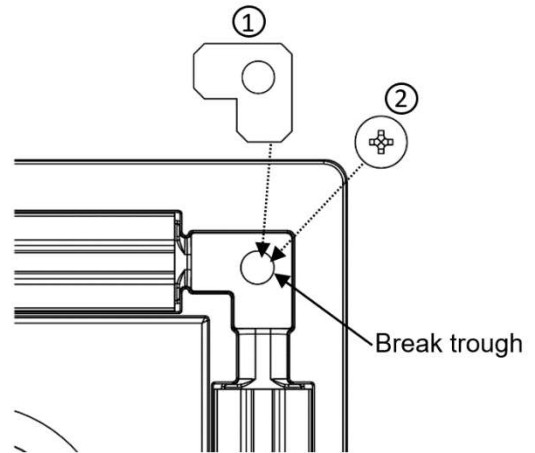
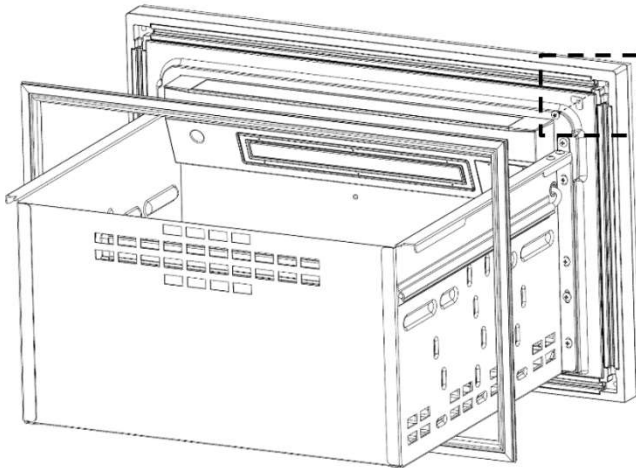
1. Install the custom handle of your preference on the overlay panel before installing the panel on the drawer.
 - Every custom handle is different, and it is the responsibility of the customer to make the necessary adjustments to place the handle on the overlay panel.
 - The screws used to affix the custom handle to the panel must be flat and flush with the surface of the panel (Fig A); if the screws are not flat, then consider making a recession on the overlay, enough to hide the head of the screw below the surface of the overlay, otherwise the screws will interfere with the correct placement of the overlay on the drawer (Fig B).

Overlay Frame with custom

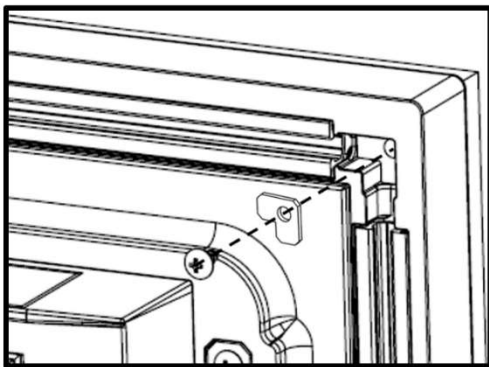


2. Remove the gasket from the top corners of the door pulling it gently. Under the gasket in each corner there is a recess with a guide to break through to use as screw positions for the panel. It is not necessary to remove all the gasket, only a portion enough to make the recess accessible. After the gasket is moved break through the guides, make sure not to damage the gasket.

Using the screws and supports included in the "installation kit", position the support in the recess and secure the overlay panel screwing it from the inside of the drawer through the same hole left by the removed screw until the panel is firmly attached to the drawer.



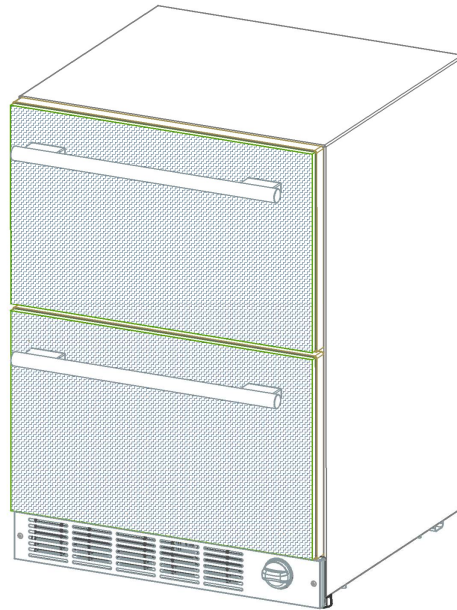
Break trough the marked area in each corner and use the (1) Overlay Support and (2) Screw to secure the overlay Panel



3. After securing the overlay to the drawer, put the gasket back in its place pressing it against its channel on the drawer until all the gasket is even and back in place.

Repeat the same steps for the other drawer.

Now, the overlay panels are ready.



Customer Service Information

If service becomes necessary, contact your dealer or an authorized service center. Do not attempt to repair the appliance yourself. Any work performed by unauthorized personnel may void the warranty. If problem persists, take the following steps (in the order listed below) until the problem is corrected to your satisfaction.

1. Contact your dealer or the Thermador Authorized Servicer in your area.
2. E-mail us from the Customer Service section of our web site, www.Thermador.com.
3. Write to us at the address below:

BSH Home Appliances Corporation
1901 Main Street, Suite 600
Irvine, CA 92614

4. Call us at: 1-800-735-4328

Please be sure to include (if writing), or have available (if calling), the following information:

- Model Number
- Serial Number
- Date of Original Purchase
- Date Problem Originated
- Explanation of Problem

Also, if writing, please be sure to include a daytime phone number. (You will find the model number and serial number information on the label located at the right side of the bottom compartment.)

Data Rating Label

The data rating label shows the model and serial number of your appliance. It is located at the right side of the bottom compartment.

Service Information

For handy reference, copy the information in the form below from the data rating plate located at the right side of the bottom compartment. Keep your invoice for Warranty validation.

Model Number _____

Serial Number _____

Date of Purchase _____

Dealer's Name _____

Dealer's Phone Number _____

Service Center's Name _____

Service Center's Phone Number _____

Thermador[®]

PN: **ARAH1E1050600** / 8001025790

T24UC925DS

T24UC915DS

T24UC905DP

04/2021

Printed in Mexico

Impreso en México

Imprime au Mexique