



BLENDER

SAFETY INFORMATION3

PARTS INCLUDED4

GETTING STARTED5

USING THE BLENDER6

CARE AND CLEANING7

LIMITED WARRANTY9

CONSUMER SUPPORT10

OWNER'S MANUAL

G8BJAASSPSS
G8BCAASSPSS

**ENGLISH/FRANÇAIS/
ESPAÑOL**

Write the model and serial numbers here:

Model # _____

Serial # _____

Find these numbers on a label
on the back of the unit.

THANK YOU FOR MAKING GE APPLIANCES A PART OF YOUR HOME.

Whether you grew up with GE Appliances, or this is your first, we're happy to have you in the family.

We take pride in the craftsmanship, innovation and design that goes into every GE Appliances product, and we think you will too. Among other things, registration of your appliance ensures that we can deliver important product information and warranty details when you need them.



IMPORTANT SAFETY INFORMATION

READ ALL INSTRUCTIONS BEFORE USING THE APPLIANCE

⚠ WARNING

THE CUTTING TOOLS HAVE VERY SHARP EDGES.

IMPORTANT SAFEGUARDS

Always follow these safety precautions when using this appliance.

For Household Use Only

WHEN USING ELECTRICAL APPLIANCES, BASIC SAFETY PRECAUTIONS SHOULD ALWAYS BE FOLLOWED, INCLUDING THE FOLLOWING: READ ALL INSTRUCTIONS BEFORE USING YOUR BLENDER. POLARIZED PLUG

WARNING: To reduce the risk of electric shock, this appliance has a polarized plug (one blade is wider than the other). This plug will fit into a polarized outlet only one way. If the plug does not fit fully into the outlet, reverse the plug. If it still does not fit, contact a qualified electrician to install the proper outlet.

DO NOT modify the plug in any way.

WARNING: Extension cords are not recommended for use with this product.

WARNING: TO REDUCE THE RISK OF FIRE, ELECTRIC SHOCK OR INJURY:

1. Remove utensils prior to processing. Failure to remove may cause the jar to be damaged or to shatter which may cause personal injury.
2. Do not blend hot liquids, doing so may cause excessive pressure build-up, resulting in risk of the user being burned.
3. To protect against electrical shock, do not submerge the appliance or allow the power cord to come into contact with water or any other liquid.
4. DO NOT allow the appliance to be used by children. Close supervision is necessary when used near children. This is not a toy.
5. Never leave an appliance unattended when in use.
6. Appliance accessories are not intended to be used in the microwave as it may result in damage to the accessories.
7. Turn the appliance Off and remove the power cord from the electrical outlet when not in use, before assembling or disassembling parts and before cleaning. To unplug, grasp the plug and pull from the electrical outlet. Never pull from the power cord.
8. DO NOT abuse the power cord. Never carry the appliance by the power cord or yank it to disconnect from electrical outlet; instead grasp the plug and pull to disconnect.
9. DO NOT operate any appliance with a damaged cord or plug, or after the appliance malfunctions, has been dropped or damaged in any manner. This appliance has no serviceable parts. Return the appliance to Operating LLC for examination, repair or adjustment.
10. DO NOT let the power cord hang over the edge of table or counter or touch hot surfaces such as the stove.
11. Always use appliance on a dry, level surface.
12. Keep hands, hair, clothing, as well as utensils out of container while processing to reduce the risk of severe injury to persons or damage to the appliance. A scraper may be used but only when the appliance is not running.
13. Avoid contact with moving parts.
14. DO NOT attempt to sharpen blades.
15. DO NOT use the appliance if blade assemblies are bent or damaged.
16. DO NOT operate this appliance on or near any hot surfaces (such as gas or electric burner or in a heated oven).
17. The use of attachments or accessories including canning jars, not recommended by the manufacturer may result in fire, electric shock or personal injury.
18. DO NOT remove the container from the motor base while the appliance is in operation.
19. To reduce the risk of injury, NEVER operate the appliance without the lid in place; DO NOT try to defeat the interlock mechanism; make sure that the attachment is properly installed before operating the appliance.
20. DO NOT expose containers to extreme temperature changes.
21. DO NOT overfill.
22. DO NOT operate the appliance empty.
23. If the appliance overheats, a thermal switch will become activated and shut off the motor. To reset, unplug the appliance and let it cool down for approximately 15 minutes before using again.
24. THIS PRODUCT IS INTENDED FOR HOUSEHOLD USE ONLY. Do not use this appliance for anything other than its intended use. Do not use outdoors.

⚠ WARNING

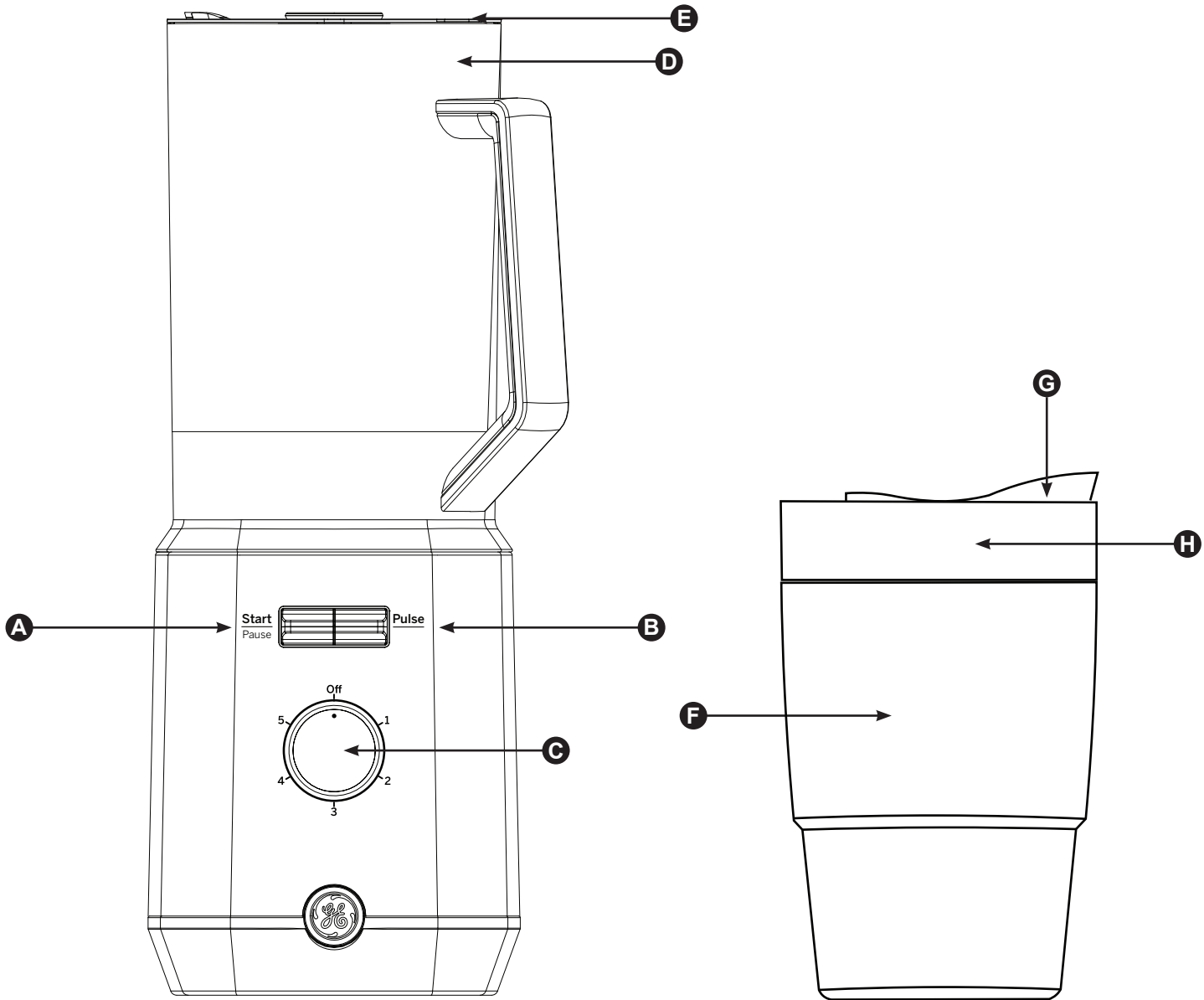


RISK OF FIRE OR ELECTRIC SHOCK

- TO REDUCE THE RISK OF FIRE OR ELECTRIC SHOCK, DO NOT REMOVE COVER (OR BACK).
- Do not attempt to repair or replace any part of your blender unless it is specifically recommended in this manual. All other servicing should be performed by authorized service personnel.

READ AND SAVE THESE INSTRUCTIONS

Parts Included



- A** Start / Pause Button
- B** Pulse Button
- C** Control Knob
- D** Blender Pitcher

- E** Lid
- F** Blender go-cup
- G** Blender go-cup lid
- H** Blender go-cup blade attachment

NOTE: Model numbers include different pieces.

G8BJAASSPSS: Includes blender only

G8BCAASSPSS Includes blender and blender go-cups

Getting Started

Before First Use

PLEASE KEEP THESE IMPORTANT SAFEGUARDS IN MIND WHEN USING THE APPLIANCE:

IMPORTANT: Make sure that the motor base is plugged in for use.

IMPORTANT: DO NOT attempt to operate the appliance without the lid on.

IMPORTANT: Never run the appliance empty.

IMPORTANT: Appliance accessories are not intended to be used in the microwave as it may result in damage to the accessories.

⚠ CAUTION Do not immerse the motor base into water or any other liquid.

1. Remove all packaging material and labels from the appliance. Separate/remove all parts from each other.
2. Wash the lids and pitcher in warm, soapy water. When washing the blade assemblies, use a dish-washing utensil with a handle to avoid direct hand contact with blades.

⚠ WARNING Handle with care when washing, as the blades are sharp.

3. Handle blade assemblies with care to avoid contact with sharp edges. Rinse and air dry thoroughly.
4. The pitcher and lids are all dishwasher safe. It is recommended that the lids be placed on the top rack.
5. Wipe the motor base clean with a damp cloth.

Using the Blender

⚠ WARNING Remove utensils prior to processing. Failure to remove may cause the pitcher to be damaged or to shatter, which may cause personal injury.

WARNING: Never leave the appliance unattended while in use.

⚠ CAUTION Do not blend hot liquids, doing so may cause excessive pressure buildup, resulting in risk of the user being burned.

IMPORTANT: Make sure that the motor base is plugged in for use.

It's best to add the liquid ingredients first and then the dry ingredients.

1. Review warning and caution statements above before proceeding to number 2.
2. Place the motor base on a clean, dry, level surface such as a counter or table top.
3. Align and lower the pitcher onto the motor base. Handle should be on the right side of on the motor base.
4. Rotate the blender pitcher clockwise until it clicks in place.
5. Add the ingredients to the pitcher, making sure that they do not exceed the highest measured marking line on the side of the pitcher.

NOTE: If you need to add additional ingredients while the appliance is processing, open the pour spout cap and pour the ingredients in through the opening.

NOTE: When blending any kind of liquids, such as mixtures of any drinks or smoothies, do not exceed the "Max liquid" mark (64 oz.) on the pitcher.

6. Plug the power cord into the electrical outlet and press the power button.

IMPORTANT: As a safety feature, the motor will not work if the pitcher is not installed correctly.

7. Holding the lid by the handle, align the pour spouts on the lid and bowl. Push lid into bowl to form a suction seal.
8. Review warning and caution statements before proceeding.
9. Turn the knob to the desired speed. Then press the Start button or Pulse button to power on the unit.
10. When you have reached your desired consistency, stop the appliance by returning the knob upright to the Off position and wait for the blades to stop turning.
11. Turn the pitcher counter-clockwise to lift off the base.

⚠ WARNING Never insert your hands in the pitcher as the blades are sharp. Always use a spatula to dislodge food that has stuck to the sides of the pitcher.

12. Depending on the consistency of the contents in the container, remove the lid and use the spout to empty liquid contents.
13. Make sure that the unit is unplugged when not in use.

Care and Cleaning

⚠ CAUTION

Make sure that the motor base is unplugged from the power source before inserting or removing any attachment and before cleaning.

CAUTION: DO NOT immerse the motor base into water or any other liquid.

1. Separate/remove all parts from each other.
2. Hand Washing: Wash the lid and pitcher in warm, soapy water. When washing the blades, use a dishwashing utensil with a handle to avoid direct hand contact with blades. Handle with care to avoid contact with blades. Rinse and air dry thoroughly.

Dishwasher: The containers and lids are all dishwasher safe. The lid is top rack dishwasher safe.

⚠ WARNING

Handle the blade assemblies with care when washing, as the blades are sharp. Contact with the blades' edges can result in laceration.

3. Wipe the motor base clean with a damp cloth.

GE Appliances Limited Warranty

LIMITED WARRANTY

GEAppliances.com

Please have your serial number and your model number available when calling for service. Call 1.800.GE.CARES (1-800-432-2737) for service questions. .

For the Period of:	GE Appliances Covers
One Year From the date of the original purchase	If the blender fails due to a defect in materials or workmanship, during the limited one-year warranty , GE Appliances will either repair your product, replace your product with a new or remanufactured product, or refund the purchase price of the product at GE Appliances sole discretion.

What GE Appliances Will Not Cover:

- Failure of the product if it is abused, misused, or used for other than the intended purpose or used commercially.
- Replacement of house fuses or resetting of circuit breakers.
- Damage caused after delivery.
- Damage to the product caused by accident, fire, floods or acts of God.
- Incidental or consequential damage caused by possible defects with this appliance.

EXCLUSION OF IMPLIED WARRANTIES

Your sole and exclusive remedies are product exchange or refund as provided in this Limited Warranty. Any implied warranties, including the implied warranties of merchantability or fitness for a particular purpose, are limited to one year or the shortest period allowed by law.

For sale in the 50 United States and the District of Columbia only: For US Customers: This limited warranty is extended to the original purchaser for products purchased for home use within the USA. Some states do not allow the exclusion or limitation of incidental or consequential damages. This warranty gives you specific legal rights, and you may also have other rights which vary from state to state. To know what your legal rights are, consult your local or state consumer affairs office or your state's Attorney General.

Warrantor: GE Appliances, a Haier company
Louisville, KY 40225

For Customers in Canada: This limited warranty is extended to the original purchaser and any succeeding owner for products purchased in Canada for home use within Canada. In-home warrant service will be provided in areas where it is available and deemed reasonable by Mabe to provide.

Warrantor Canada: MC Commercial, Burlington, Ontario, L7R 5B6

Staple your receipt here. Proof of the original purchase date is needed to obtain service under the warranty.

Consumer Support

Service and Registration

Register your new appliance on-line at your convenience! Timely product registration will allow for enhanced communication and prompt service under the terms of your warranty, should the need arise.

Register your appliance at **GEAppliances.com/register**.

Contact Us

If you are not satisfied with the service you receive from GE Appliances, contact us on our Website with all the details including your phone number, or write to:

In the US: General Manager, Customer Relations | GE Appliances, Appliance Park | Louisville, KY 40225

GEAppliances.com/contact

In Canada: Director, Consumer Relations, Mabe Canada Inc. | Suite 310, 1 Factory Lane | Moncton, N.B. E1C 9M3

GEAppliances.ca/en/contact-us