

# KitchenAid®

## MICROWAVE OVEN

### Use & Care Guide

For questions about features, operation/performance, parts, accessories or service, call: 1-800-422-1230, or visit our website at [www.kitchenaid.com](http://www.kitchenaid.com).

## HORNO MICROONDAS

### Manual de uso y cuidado

Si tiene preguntas sobre funciones, funcionamiento, rendimiento, piezas, accesorios o servicio técnico, llame al: 1-800-422-1230, o bien, visite nuestro sitio web en [www.kitchenaid.com](http://www.kitchenaid.com).

## TABLE OF CONTENTS / TABLA DE CONTENIDOS

<b>MICROWAVE OVEN SAFETY</b> .....	2	<b>SEGURIDAD DEL HORNO MICROONDAS</b> .....	17
<b>INSTALLATION INSTRUCTIONS</b> .....	4	<b>INSTRUCCIONES DE INSTALACIÓN</b> .....	19
Unpacking .....	4	Desempaque .....	19
Location Requirements .....	4	Requisitos de ubicación.....	19
Electrical Requirements .....	4	Requisitos eléctricos .....	19
<b>PARTS AND FEATURES</b> .....	5	<b>PIEZAS Y FUNCIONES</b> .....	20
Turntable.....	5	Bandeja giratoria .....	20
Microwave Oven Control .....	5	Control del horno microondas .....	20
Keypad Instructions .....	6	Instrucciones del teclado .....	21
Display .....	9	Pantalla.....	24
Standby mode.....	9	Modo Standby (En espera) .....	24
Start.....	9	Start (Inicio).....	24
Quick Start/Add 30 seconds.....	9	Quick Start/Add 30 seconds (Inicio rápido/ Agregar 30 segundos).....	24
Cancel .....	9	Cancel (Cancelar).....	24
To use Non - Sensor Menu .....	9	Para utilizar el menú sin sensor .....	24
Clock .....	9	Clock (Reloj) .....	24
Timer.....	9	Timer (Temporizador) .....	24
Tones ON/OFF.....	9	Tones ON/OFF (Encendido/Apagado de los tonos).....	24
Control Lock.....	9	Control Lock (Bloqueo de controles).....	24
Cooking End.....	9	Fin de la cocción .....	24
To use Sensor Menu .....	9	Para utilizar el menú del sensor .....	24
<b>MICROWAVE OVEN USE</b> .....	10	<b>USO DEL HORNO MICROONDAS</b> .....	25
Food Characteristics .....	10	Características de los alimentos.....	25
Cooking Guidelines .....	10	Pautas para cocinar .....	25
Cookware and Dinnerware.....	11	Utensilios de cocina y vajilla .....	26
Aluminum Foil and Metal .....	11	Papel de aluminio y metal .....	26
Cooking Menu .....	11	Cooking Menu (Menú de cocción).....	26
Popcorn.....	11	Popcorn (Palomitas de maíz).....	26
Potato.....	12	Potato (Papa).....	27
Reheat .....	12	Reheat (Recalentar).....	27
Soften Menu.....	12	Soften menu (Menú para ablandar) .....	27
Melt Menu .....	12	Melt Menu (Menú para derretir) .....	27
Weight Defrost.....	13	Weight Defrost (Descongelado por peso).....	28
Steam Clean.....	13	Steam Clean (Limpieza con vapor).....	28
Keep Warm.....	13	Keep Warm (Mantener caliente).....	28
<b>MICROWAVE OVEN CARE</b> .....	14	<b>CUIDADO DEL HORNO MICROONDAS</b> .....	29
General Cleaning.....	14	Limpieza general .....	29
<b>TROUBLESHOOTING</b> .....	15	<b>SOLUCIÓN DE PROBLEMAS</b> .....	30
<b>ASSISTANCE OR SERVICE</b> .....	16	<b>ASISTENCIA O SERVICIO TÉCNICO</b> .....	31
In the U.S.A. ....	16	En Estados Unidos.....	31
In Canada .....	16	En Canadá.....	31
Replacement Parts.....	16	Piezas de repuesto.....	31
Built-In Kits.....	16	Juegos para empotrar.....	31

# MICROWAVE OVEN SAFETY

## Your safety and the safety of others are very important.

We have provided many important safety messages in this manual and on your appliance. Always read and obey all safety messages.



This is the safety alert symbol.

This symbol alerts you to potential hazards that can kill or hurt you and others.

All safety messages will follow the safety alert symbol and either the word "DANGER" or "WARNING."

These words mean:

**⚠ DANGER**

You can be killed or seriously injured if you don't immediately follow instructions.

**⚠ WARNING**

You can be killed or seriously injured if you don't follow instructions.

All safety messages will tell you what the potential hazard is, tell you how to reduce the chance of injury, and tell you what can happen if the instructions are not followed.

## IMPORTANT SAFETY INSTRUCTIONS

When using electrical appliances basic safety precautions should be followed, including the following:

**WARNING:** To reduce the risk of burns, electric shock, fire, injury to persons, or exposure to excessive microwave energy:

- Read all instructions before using the microwave oven.
- Read and follow the specific "PRECAUTIONS TO AVOID POSSIBLE EXPOSURE TO EXCESSIVE MICROWAVE ENERGY" found in this section.
- The microwave oven must be grounded. Connect only to properly grounded outlet. See "GROUNDING INSTRUCTIONS" found in the "INSTALLATION INSTRUCTIONS" section.
- Install or locate the microwave oven only in accordance with the provided Installation Instructions.
- Some products such as whole eggs in the shell and sealed containers - for example, closed glass jars - are able to explode and should not be heated in the microwave oven.
- Use the microwave oven only for its intended use as described in the manual. Do not use corrosive chemicals or vapors in the microwave oven. This type of oven is specifically designed to heat, cook, or dry food. It is not designed for industrial or laboratory use.
- As with any appliance, close supervision is necessary when used by children.
- Do not operate the microwave oven if it has a damaged cord or plug, if it is not working properly, or if it has been damaged or dropped.
- The microwave oven should be serviced only by qualified service personnel. Call an authorized service company for examination, repair, or adjustment.
- Do not cover or block any openings on the microwave oven.
- Do not store this microwave oven outdoors. Do not use the microwave oven near water - for example, near a kitchen sink, in a wet basement, near a swimming pool, or similar locations.
- Do not immerse cord or plug in water.
- Keep cord away from heated surfaces.
- Do not let cord hang over edge of table or counter.
- See door surface cleaning instructions in the "Microwave Oven Care" section.
- To reduce the risk of fire in the oven cavity:
  - Do not overcook food. Carefully attend the microwave oven when paper, plastic, or other combustible materials are placed inside the oven to facilitate cooking.
  - Remove wire twist-ties from paper or plastic bags before placing bags in oven.
  - If materials inside the oven ignite, keep oven door closed, turn oven off, and disconnect the power cord, or shut off power at the fuse or circuit breaker panel.
  - Do not use the cavity for storage purposes. Do not leave paper products, cooking utensils, or food in the cavity when not in use.

**SAVE THESE INSTRUCTIONS**

## IMPORTANT SAFETY INSTRUCTIONS

- Liquids, such as water, coffee, or tea are able to be overheated beyond the boiling point without appearing to be boiling. Visible bubbling or boiling when the container is removed from the microwave oven is not always present. THIS COULD RESULT IN VERY HOT LIQUIDS SUDDENLY BOILING OVER WHEN THE CONTAINER IS DISTURBED OR A SPOON OR OTHER UTENSIL IS INSERTED INTO THE LIQUID.

To reduce the risk of injury to persons:

- Do not overheat the liquid.
- Stir the liquid both before and halfway through heating it.
- Do not use straight-sided containers with narrow necks.
- After heating, allow the container to stand in the microwave oven for a short time before removing the container.
- Use extreme care when inserting a spoon or other utensil into the container.

## SAVE THESE INSTRUCTIONS

## PRECAUTIONS TO AVOID POSSIBLE EXPOSURE TO EXCESSIVE MICROWAVE ENERGY

- (a) Do not attempt to operate this oven with the door open since open-door operation can result in harmful exposure to microwave energy. It is important not to defeat or tamper with the safety interlocks.
- (b) Do not place any object between the oven front face and the door or allow soil or cleaner residue to accumulate on sealing surfaces.
- (c) Do not operate the oven if it is damaged. It is particularly important that the oven door close properly and that there is no damage to the:
  - (1) Door (bent),
  - (2) Hinges and latches (broken or loosened),
  - (3) Door seals and sealing surfaces.
- (d) The oven should not be adjusted or repaired by anyone except properly qualified service personnel.

This device complies with Part 18 of the FCC Rules.

# INSTALLATION INSTRUCTIONS

## Unpacking

1. Empty the microwave oven of any packing materials.
2. Clean the inside with a soft, damp cloth.
3. Check for damage, such as:
  - A door that is not lined up correctly,
  - Damage around the door, or
  - Dents on the interior or exterior of the microwave oven.If there is any damage, do not operate the microwave oven until a designated service technician has checked it and made any needed repairs.

**NOTE:** To avoid damage to the microwave oven, do not remove microwave inlet cover. See the "Parts and Features" section.

## Location Requirements

### **⚠ WARNING**

#### **Excessive Weight Hazard**

**Use two or more people to move and install microwave oven.**

**Failure to do so can result in back or other injury.**

**IMPORTANT:** The control side of the microwave oven is the heavy side. Handle the microwave oven gently. The weight of the microwave oven is over 35 lbs (15.9 kg).

- Place the microwave oven on a cart, counter, table, or shelf that is strong enough to hold the microwave oven and the food and utensils you place inside it.
- The microwave oven should be at a temperature above 50°F (10°C) for proper operation.

**NOTE:** Some models can be built into a wall or cabinet by using one of the trim kits listed in the "Assistance or Service" section.

- Do not block the exhaust vents or air intake openings. Allow a few inches of space at the back and side of the microwave oven where the exhaust vents are located. Blocking the exhaust vents could cause damage to the microwave oven as well as poor cooking results.
- Make sure the microwave oven legs are in place to ensure proper airflow. If vents are blocked, a sensitive thermal device may automatically turn the microwave oven off. The microwave oven should work properly once it has cooled.

## Electrical Requirements

### **⚠ WARNING**



#### **Electrical Shock Hazard**

**Plug into a grounded 3 prong outlet.**

**Do not remove ground prong.**

**Do not use an adapter.**

**Do not use an extension cord.**

**Failure to follow these instructions can result in death, fire, or electrical shock.**

Observe all governing codes and ordinances.

#### **Required:**

- A 120 V, 60 Hz AC only, 15 A or 20 A electrical supply with a fuse or circuit breaker.

#### **Recommended:**

- A time-delay fuse or time-delay circuit breaker
- A separate circuit serving only this microwave oven

## **GROUNDING INSTRUCTIONS**

#### **■ For all cord connected appliances:**

The microwave oven must be grounded. In the event of an electrical short circuit, grounding reduces the risk of electric shock by providing an escape wire for the electric current. The microwave oven is equipped with a cord having a grounding wire with a grounding plug. The plug must be plugged into an outlet that is properly installed and grounded.

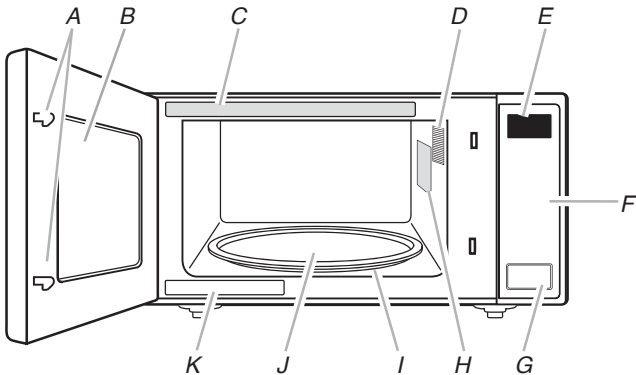
**WARNING:** Improper use of the grounding plug can result in a risk of electric shock. Consult a qualified electrician or serviceman if the grounding instructions are not completely understood, or if doubt exists as to whether the microwave oven is properly grounded.

Do not use an extension cord. If the power supply cord is too short, have a qualified electrician or serviceman install an outlet near the microwave oven. A short power supply cord is provided to reduce the risks resulting from becoming entangled in or tripping over a longer cord.

## **SAVE THESE INSTRUCTIONS**

# PARTS AND FEATURES

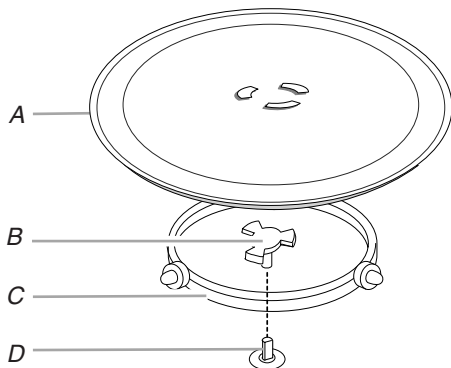
This manual may cover several different models. The model you have purchased may have some or all of the features shown here. The appearance of your particular model may differ slightly from the illustrations in this manual.



- A. Door Handle
- B. Window
- C. Cooking guide label
- D. Microwave oven light
- E. Display
- F. Control panel
- G. Microwave inlet cover\*
- H. Removable turntable support
- I. Glass turntable
- J. Door lock system
- K. Model and serial number plate

**\*NOTE:** To avoid damage to the microwave oven, do not remove microwave inlet cover. See the "Parts and Features" section.

## Turntable



- A. Turntable
- B. Hub
- C. Support
- D. Shaft

The turntable can rotate in either direction to help cook food more evenly. For best cooking results, do not operate the microwave oven without having the turntable in place. See the "Assistance or Service" section to reorder any of the parts.

### To Install:

1. Place the support on the microwave oven cavity bottom.
2. Place the turntable on the support.

Fit the raised, curved wedges in the center of the turntable bottom between the three spokes of the hub. The rollers on the support should fit inside the turntable bottom ridge.

## Microwave Oven Control

Soften Melt Power

Defrost Reheat Menu

Keep Warm Qty Quantity

Tone ON/OFF Lbs Weight - Lbs

Microwave Control Lock

Cook Timer Steam Menu / Clock Clean

AUTO FUNCTIONS

Popcorn | Potato | Reheat

Cook | Soften | Melt

OPTIONS

Weight Defrost | Timed Defrost | Keep Warm

Cook Time | Cook Power | Steam Clean

QUICK START

1 min 2 min 3 min

4 min 5 min 6 min

— [Timer] +

Clock Hold 3 Sec

[Cancel] [Start]

Control Lock Hold 3 Sec Add 30 Sec

## Keypad Instructions

Keypad	Feature	Instructions
Timer (Hold to Set Clock)	Hold to Set the Clock	<p>To set the clock, follow the instructions below:</p> <ol style="list-style-type: none"> <li>1. Press Timer for 3 seconds to enter clock setting.</li> <li>2. Press the +/- button to set the hour, press Start button to confirm.</li> <li>3. Press the +/- button to set the minute.</li> <li>4. Press Start button.</li> </ol> <p><b>NOTE:</b> The microwave oven must be in standby. It will also appear every time the product is plugged into the power source, or power is back after a power fail.</p> <p><b>NOTE:</b> When plug in, the screen shows "12Hr" ("12" flashing), use + / - to change 12 or 24 hour format, press Start to confirm; then the screen shows "12:00".</p>
Timer (Hold to Set Clock)	Set Kitchen Timer	<p>The kitchen timer functions like a stop watch. To set the kitchen timer, following the instructions below:</p> <ol style="list-style-type: none"> <li>1. Press Timer button.</li> <li>2. Press +/- button to enter desired time.</li> <li>3. Press Start button.</li> </ol> <p><b>NOTE:</b> While the Timer countdown is active in the display, touch Cancel to Cancel the Timer. The timer does not Start or stop the microwave oven.</p>
Start +30 sec	Add 30 Seconds	<p>The button Start can be used in two ways:</p> <ol style="list-style-type: none"> <li>1. To Start the microwave by cooking for 30 seconds with full power in standby mode.</li> <li>2. To increase a cooking time using increments of 30 seconds. Each press adds 30 seconds.</li> </ol>
Start +30 sec	Start Function	<p>Press the Start button to Start any cooking function. If cooking is interrupted by opening the door, touch the Start button after the door is closed again to resume the cycle.</p>
Cancel (Control Lock Hold 3 seconds)	Microwave Oven Cancel	<p>The Cancel button stops any microwave oven function except for the clock and control lock.</p> <p>The microwave oven will also turn off when the door is opened. When the door is opened, the element(s) will turn off, but the microwave oven light will remain on. Close the door and touch the Start button to resume the preset cycle.</p>
Cancel (Control Lock Hold 3 seconds)	Activate Control Lock	<p>Activate Control Lock to avoid an unintended Start.</p> <p>To activate, press and hold the Cancel button for 3 seconds until the Control Locked icon appears on the display.</p> <p>Repeat to unlock control.</p>
1 min-6 min	Quick Start	<p>Default power is full in this function (P100).</p> <p>Press 1 min, 2 min.. or 6 min to Start with the time mentioned on the button.</p>
Cook Time	Set Manual Cooking	<p>Press "Cook Time" button to set manual cooking time. The default power level is 100%. Press +/- button / 1 min-6 min to set the cooking time, follow the instructions below:</p> <ol style="list-style-type: none"> <li>1. Press "Cook Time" button, "0:15" will show on the display.</li> <li>2. Press +/- button / 1 min-6 min to adjust the cooking time.</li> <li>3. Press Start button to Start.</li> </ol> <p><b>NOTE:</b> Press the "Power" button to increase/decrease power levels in cyclic way P10 P20 P30.....P100.</p>

Keypad	Feature	Instructions
Cook Power	Set Manual Cooking	<p>Press “Power” button to set manual power. The default power level is 100%. Press the “Power” button or +/- button to change power level.</p> <p>For example, to set the time to 2:30 in 90% power:</p> <ol style="list-style-type: none"> <li>1. Press “Power” button, P100 will show on the display.</li> <li>2. Press - button to decrease power level to 90% (P90 on display).</li> <li>3. Press Start button to confirm and jump to cooking time setting, default “0:15” will show on the display.</li> <li>4. Press +/- button to adjust the cooking time to “2:30”.</li> <li>5. Press Start button.</li> </ol>
Weight Defrost	Automatic Defrost	<p>The Auto Defrost function helps that frozen food. To defrost, follow the instructions below:</p> <ol style="list-style-type: none"> <li>1. Press “Auto Defrost” button, P1 will show on display.</li> <li>2. Press “Auto Defrost” button or +/- button to select the desired food class.</li> <li>3. Press Start button to confirm, display will show the default weight.</li> <li>4. Press +/- button to adjust desired weight.</li> <li>5. Press Start button.</li> </ol>
Timed Defrost	Manual Defrost	<p>Defrost power has been set, select defrost cooking time</p> <ol style="list-style-type: none"> <li>1. Press “Manual Defrost” button, default time “0:30” will show in the display.</li> <li>2. Press +/- button to adjust defrost cooking time.</li> <li>3. Press Start button.</li> </ol>
Reheat	Reheat	<p>To reheat using preset functions, follow the instructions</p> <ol style="list-style-type: none"> <li>1. Press “Dinner Plate/Reheat Menu” button, the “P1” will show on the display.</li> <li>2. Use +/- button or “Dinner Plate/Reheat Menu” to select a food category. See the Reheat section in this guide for the food category or reference sticker on the front plate of the microwaves.</li> <li>3. Press Start button.</li> <li>4. Sensor Cooking (except Sauce, Soap and Beverage): A sensor in the microwave oven detects humidity released from the food as it heats and adjusts the cook time accordingly. (When selecting Sauce, Soup and Beverage the display will show the default weight. Press +/- button to adjust desired weight. Press the Start button.)</li> </ol>
Popcorn	Popcorn	<p>To use the popcorn preset, follow the instructions below:</p> <ol style="list-style-type: none"> <li>1. Press “Popcorn” button repeatedly to select the bag size (3.0 or 3.5 oz).</li> <li>2. Press Start button.</li> </ol>
Potato	Potato cooking	<p>To use the potato preset, follow the instructions below:</p> <ol style="list-style-type: none"> <li>1. Press “Potato” button repeatedly to select L (Large) or S (Small) potato size.</li> <li>2. Press Start to confirm, press +/- to adjust quantity.</li> <li>3. Press Start button.</li> </ol>

Keypad	Feature	Instructions
Cook	Auto cook	<p>For Cook Menu mode, it is not necessary to set the time and power., Follow the instructions below:</p> <ol style="list-style-type: none"> <li>1. Press “Cook” button, the “P1” will show on the display.</li> <li>2. Use +/- button or “Cook” to select a food category. See the Cook Menu section in this guide for the food category or reference sticker on the front plate of the microwaves.</li> <li>3. Press Start button.</li> <li>4. Sensor Cooking: A sensor in the microwave oven detects humidity released from the food as it heats and adjusts the cook time accordingly. (For non-sensor cooking, the display will show the default weight. Press +/- button to adjust desired weight. Press the Start button.)</li> </ol>
Soften	Soften	<p>The Soften function is used to soften food. To use:</p> <ol style="list-style-type: none"> <li>1. Press “Soften Menu”, the display will show “P1”.</li> <li>2. Use “Soften Menu” button or +/- button to select a food category, see the Soften Menu section in this guide for the food category or reference the sticker on the front plate of microwave. Press Start button to confirm.</li> <li>3. Use +/- button to adjust the quantity.</li> <li>4. Press Start button.</li> </ol>
Melt	Melt	<p>The Melt function is used to melt food. To use:</p> <ol style="list-style-type: none"> <li>1. Press “Melt Menu”, the display will show “P1”.</li> <li>2. Use “Melt menu” button or +/- button to select a food category, see the Melt Menu section in this guide for the food category or reference the sticker on the front plate of microwave. Press Start button to confirm.</li> <li>3. Use +/- button to adjust the quantity.</li> <li>4. Press Start button.</li> </ol>
Keep Warm	Keep Warm	<p>The function allows to keep your dishes warm. To use:</p> <ol style="list-style-type: none"> <li>1. Press “Keep Warm” button, default time “30:00” will show on the display.</li> <li>2. Press “Keep Warm” or +/- button to select 15 min, 30 min, 45 min, or 60 min.</li> <li>3. Press Start button.</li> </ol> <p><b>NOTE:</b> The Keep Warm cycle last for a duration of 15 minutes (default 30 minutes), the maximum time is 60 minutes. Each 15 minutes cycle, microwave will be turned on 1.5 minutes, then cavity lamp and fan are off, only the countdown time is shown.</p>
Steam Clean	Auto cleaning cycle	<p>The cleaning cycle will help to clean the microwave oven cavity.</p> <ol style="list-style-type: none"> <li>1. Place 1 cup of water (~250mL) on the middle of the cavity.</li> <li>2. Press “Steam Clean” button, default “13:00” time will show on display.</li> <li>3. Press Start button to Start the function. (After finishing the water heat-up cycle (3 minutes), the cavity lamp and fan will be off , the countdown time is shown.)</li> </ol> <p><b>NOTE:</b> Please follow Tips and Suggestions in Steam Clean section.</p>
Tone On/Off	Turn on or off beep sound	<p>The function allows to turn on or off the beep sound:</p> <ol style="list-style-type: none"> <li>1. Press STEAM CLEAN button and hold for 5 seconds to put into mute, the Tone Off icon will be shown on display</li> <li>2. Hold the button again for 5 seconds to turn on the sound.</li> </ol>



---

## Display

When power is first supplied to the microwave oven, "12 Hr" will appear in the display. User can press Timer/Clock button or +/- button to toggle between 12Hr or 24Hr within 10 seconds.

Press Start button to confirm. If the "12:00" appears in the display at any other time, a power failure has occurred. Reset the clock if needed. See the "Clock" section.

---

## Standby mode

When no functions are being used, the microwave oven will switch to Standby mode.

---

## Start

The Start button begins any function. If non-sensor cooking is interrupted by opening the door, pressing Start button will resume the cycle.

**NOTE:** To avoid unintentional operation of the microwave oven, a cooking function cannot be Started if the microwave oven door has been closed for about 1 minute. The word "door" will appear in the display until the door is opened and closed.

---

## Quick Start / Add 30 seconds

In standby mode, pressing Start button automatically Starts the microwave oven at 100% power for 30 seconds and adds 30 seconds of cook time, with each additional touch of the control. Time may be added to any manual cooking cycle in 30 second increments, at the moment power level, by pressing Start button during cooking.

---

## Cancel

The Cancel button clears any incorrect command and Cancels any program during cooking. Press the Cancel button to Cancel the cycle. It will not erase the time of day.

The microwave oven will also turn off when the door is opened. Close the door and press Start to resume the cycle. The Cancel button is also used to lock and unlock the control panel. See the "Control Lock" section.

---

## To use Non - Sensor Menu (Popcorn, Potato)

1. Place food on the turntable and close the door.
  2. Touch desired menu control. The first programmed amount will appear in the display. Touch control keypad repeatedly or touch number keypads to change quantity.
  3. Touch Start. When the cycle ends, "End" will appear in the display and the end-of-cycle tone will sound.
  4. Touch Cancel or open the door to clear the display.
- 

## Clock

### To Set:

The microwave oven must be in standby.

1. Press Timer/Clock button for 3 seconds to enter clock setting. It will also appear every time the product is plugged into the power source, or power is back after a power fail.
2. Press +/- button to set the hour.
3. Press Start button to confirm.
4. Press +/- button to set the minute.
5. Press Start button to confirm the setting.

---

## Timer

### To Set:

1. Press Timer/Clock button
2. Press +/- button to enter desired time.
3. Press Start button. When the set time ends, the end-of-timer
4. When the Timer countdown is achieved in the display, tone will sound. Press Cancel to Cancel the timer.

**NOTE:** The Timer does not Start or stop the microwave oven. The function can be set only in Standby mode.

---

## Tones ON/OFF

This function allows the user to activate/deactivate all the sounds played by the appliances, includes button press, warnings, alarm, even end audio feedback.

Press Steam Clean button and hold for 5 seconds to put into mute, hold the button again for 5 seconds to turn on the sound.

---

## Control Lock

The Control Lock disables the control panel keypads to avoid unintended use of the microwave oven.

**To Lock/Unlock Control:** The microwave oven must be OFF. Touch and hold Cancel button for about 3 seconds, until the tone sounds and the Lock icon appears in the display. Repeat to unlock and clear the display.

If any cook function control is touched while the Control Lock is active, a tone will sound.

---

## Cooking End

When the cooking is finished, the display will show the text "End". A reminder acoustic beep will signal.

---

## To use Sensor Menu (Reheat, Cook Menu)

1. Place food on the turn table and close the door.
2. Touch the desired menu control.
3. Touch Start, the running segment animation will appear in the display. The microwave oven will Start and sensor cooking will begin.



The running segment will remain in the display until the sensor has determined the remaining cook time.

4. When the cycle end, "End" will appear in the display and the end-of-cycle tones will sound.
5. Touch Cancel or open the door to clear the display.

**(Note:** Sauce, Soup, Beverage in Reheat Menu without using Sensor cooking).

---

# MICROWAVE OVEN USE

---

A magnetron in the microwave oven produces microwaves which reflect off the metal floor, walls, and ceiling and pass through the turntable and appropriate cookware to the food. Microwaves are attracted to and absorbed by fat, sugar, and water molecules in the food, causing them to move, producing friction and heat which cooks the food.

- To avoid damage to the microwave oven, do not lean on or allow children to swing on the microwave oven door.
- To avoid damage to the microwave oven, do not operate microwave oven when it is empty.
- Baby bottles and baby food jars should not be heated in microwave oven.
- Clothes, flowers, fruit, herbs, wood, gourds, and paper, including brown paper bags and newspaper, should not be dried in the microwave oven.
- Paraffin wax will not melt in the microwave oven because it does not absorb microwaves.
- Use oven mitts or pot holders when removing containers from microwave oven.
- Do not overcook potatoes. At the end of the recommended cook time, potatoes should be slightly firm. Let potatoes stand for 5 minutes. They will finish cooking while standing.
- Do not cook or reheat whole eggs inside the shell. Steam buildup in whole eggs may cause them to burst, requiring significant cleanup of microwave oven cavity. Cover poached eggs and allow a standing time.

---

## Food Characteristics

When microwave cooking, the amount, size and shape, Starting temperature, composition, and density of the food affect cooking results.

### Amount of Food

The more food heated at once, the longer the cook time needed. Check for doneness and add small increments of time if necessary.

### Size and Shape

Smaller pieces of food will cook more quickly than larger pieces, and uniformly shaped foods cook more evenly than irregularly shaped food.

### Starting Temperature

Room temperature foods will heat faster than refrigerated foods, and refrigerated foods will heat faster than frozen foods.

### Composition and Density

Foods high in fat and sugar will reach a higher temperature and will heat faster than other foods. Heavy, dense foods, such as meat and potatoes, require a longer cook time than the same size of a light, porous food, such as cake.

---

## Cooking Guidelines

### Covering

Covering food helps retain moisture, shorten cook time, and reduce spattering. Use the lid supplied with cookware. If a lid is not available, wax paper, Paper towels, or plastic wrap approved for microwave ovens may be used. Plastic wrap should be turned back at one corner to provide an opening to vent steam. Condensation on the door and cavity surfaces is normal during heavy cooking.

### Stirring and Turning

Stirring and turning redistribute heat evenly to avoid overcooking the outer edges of food. Stir from outside to center. If possible, turn food over from bottom to top.

### Arranging

If heating irregularly shaped or different-sized foods, arrange the thinner parts and smaller-sized items toward the center. If cooking several items of the same size and shape, place them in a ring pattern, leaving the center of the ring empty.

### Piercing

Before heating, use a fork or small knife to pierce or prick foods that have a skin or membrane, such as potatoes, egg yolks, chicken livers, hot dogs, and sausage. Prick in several places to allow steam to vent.

### Shielding

Use small, flat pieces of aluminum foil to shield the thin pieces of irregularly shaped foods, bones and foods such as chicken wings, leg tips, and fish tails. See the "Aluminum Foil and Metal" section first.

### Standing Time

Food will continue to cook by the natural conduction of heat even after the microwave cooking cycle ends. The length of standing time depends on the volume and density of the food.

## Cookware and Dinnerware

Cookware and dinnerware must fit on the turntable. Always use oven mitts or pot holders when handling because any dish may become hot from heat transferred from the food. Do not use cookware and dinnerware with gold or silver trim. Use the following chart as a guide, then test before using.

Material	Recommendations
Aluminum Foil, Metal	See the "Aluminum Foil and Metal" section.
Browning Dish	Bottom must be at least 3/16" (5 mm) above the turntable. Follow manufacturer's recommendations.
Ceramic Glass, Glass	Acceptable for use
China, Earthenware	Follow manufacturer's recommendations.
Melamine	Follow manufacturer's recommendations.
Paper: Towels, Dinnerware, Napkins	Use non-recycled and those approved by the manufacturer for microwave oven use.
Plastic: Wraps, Bags, Covers, Dinnerware, Containers	Use those approved by the manufacturer for microwave oven use.
Pottery and Clay	Follow manufacturer's recommendations.
Silicone Bakeware	Follow manufacturer's recommendations.
Straw, Wicker, Wooden Containers	Do not use in microwave oven.
Wax Paper	Acceptable for use

### To Test Cookware or Dinnerware for Microwave Use:

- Place cookware or dinnerware in microwave oven with 1 cup (250 mL) of water beside it.
  - Cook at 100% cooking power for 1 minute.
- Do not use cookware or dinnerware if it becomes hot and the water stays cool.

## Aluminum Foil and Metal

Always use oven mitts or pot holders when removing dishes from the microwave oven.

Aluminum foil and some metal can be used in the microwave oven. If not used properly, arcing (a blue flash of light) can occur and cause damage to the microwave oven.

### OK for Use

Racks and bakeware supplied with the microwave oven (on some models), aluminum foil for shielding, and approved meat thermometers may be used with the following guidelines:

- To avoid damage to the microwave oven, do not allow aluminum foil or metal to touch the inside cavity walls, ceiling, or floor.
- Always use the turntable.
- To avoid damage to the microwave oven, do not allow contact with another metal object during microwave cooking.

## Do Not Use

Metal cookware and bakeware, gold, silver, pewter, non-approved meat thermometers, skewers, twist ties, foil liners such as sandwich wrappers, staples, and objects with gold or silver trim or a metallic glaze should not be used in the microwave oven.

## Cooking Menu

The microwave oven has been programmed with common microwave foods, their quantities, cook powers, and cook times. Use the following chart as a guide for preset cooking.

Item	Food Category	Quantity
P1	<b>Fresh Vegetables</b> From room temperature. Put food into microwave safe dish. Add 2 tablespoons water to 1-2 cups, add 4 tablespoons water to 3-4 cups. Cover the dish, leaving an air ventilation. Stir and let stand 2-3 min after cooking.	1-4 cups (Sensor cooking)
P2	<b>Frozen Vegetables</b> From frozen temperature. Place microwave-safe container add 2 tablespoons water to 1-2 cups, add 4 tablespoons water to 3-4 cups. Cover the dish, leaving an air ventilation. Stir and let stand for 3 minutes after cooking.	1-4 cups (Sensor cooking)
P3	<b>Oatmeal</b> Place in microwave-safe container and add water depends on package directions adds water cover with plastic wrap and fold back one edge about 1/4" (6 mm) to make a vent. Place container in the center of the oven. After cooking stir with spoon or whisk until uniform.	1-4 cups (Sensor cooking)
P4	<b>Frozen Entrée</b> Remove entrée from package and loosen film covering on 3 sides of the container leaving one of the short sides still attached. Loosely cover with film. Allow the 10.5 and 20 oz (297 and 567 g) entrees to stand 3 minutes. Allow the 38 and 60 oz (1.1 and 1.7 kg) entrees to stand 5 minutes.	1-4 cups (Sensor cooking)

## Popcorn

### 3.0 or 3.5 oz bags.

- Do not use regular paper bags or glassware
- Pop only one package of popcorn at a time.
- Follow manufacturer's instructions when using a microwave popcorn popper.
- Listen for popping to slow to one pop every 1 or 2 seconds, and then stop the cycle.
- Do not reppop unpopped kernels.
- For best results, use fresh bags of popcorn.
- Cooking results may vary by brand and fat content.

**NOTE:** Follow the instructions provided by the microwave popcorn manufacture.

## Potato

Item	Food Category	Quantity
L - Large	Enter 1-4 pieces, 8-10 oz (227-283 g) each. Pierce each potato several times with a fork. Place on paper towel on turntable center. Let stand 5 minutes after cooking.	1,2,3,4 pieces/ 1 piece
S - Small Potato	Enter 1-16 pieces, 4-7 oz (110-200 g) each. Pierce each potato several times with a fork. Place on paper towel on turntable center. Let stand 5 minutes after cooking.	1-16 pieces/1 piece

## Reheat

Times and cooking powers have been preset for reheating a number of food types.

Use the following chart as a guide.

Item	Food Category	Quantity
P1	<b>Dinner plate</b> Place food on plate. Cover with plastic wrap and vent. Let stand 2-3 minutes after reheating.	10-15 oz (283-425 g) (Sensor Cooking)
P2	<b>Sauce</b> Place in microwave-safe container. Cover with plastic wrap and vent. Stir and let stand 2-3 minutes after reheating.	1,2,3, 4 cups
P3	<b>Soup</b> Place in microwave-safe container. Cover with plastic wrap and vent. Stir and let stand 2-3 minutes after reheating.	1,2,3, 4 cups
P4	<b>Beverage</b> Do not cover.	1, 2, 3, 4 cups
P5	<b>Reheat Pizza</b> Place on paper towel lined microwave-safe plate.	1-3 sliced, 4 oz (113 g) per slice (Sensor cooking)

## Soften Menu

Soften function may be used to soften your food. Times and cooking powers have been preset for a number of food types. Use the following chart as a guide.

Item	Food Category	Quantity
P1	<b>Butter</b> Unwrap and place in microwave-safe container.	0.5-2.0 sticks/0.5 stick
P2	<b>Ice-cream</b> Place ice-cream container on turntable.	16-64 oz/16 oz (454 g-1.8 kg/454 g)
P3	<b>Cream Cheese</b> Unwrap and place in microwave-safe container.	3 oz, 8 oz (85 g, 227 g)
P4	<b>Brown Sugar</b> Place in microwave-safe container.	3 oz, 8 oz (85 g, 227 g)
P5	<b>Frozen Juice</b> Remove lid.	8 oz, 12 oz (227 g, 340 g)
P6	<b>Caramel Dip</b> Remove lid from caramel dip and place in center of microwave oven.	8 oz, 16 oz (227 g, 454 g)

## Melt Menu

Melt function may be used to melt your food. Times and cooking powers have been preset for a number of food types. Use the following chart as a guide.

Item	Food Category	Quantity
1	<b>Butter</b> Unwrap and place in microwave-safe container	0.5-2.0 sticks/0.5 stick
2	<b>Chocolate Chips</b> Place in microwave-safe container	4-12 oz/4 oz (113-340 g/113 g)
3	<b>Cream Cheese</b> Unwrap and place in microwave-safe container	8 oz, 16 oz (227 g, 454 g)
4	<b>Caramel Dip</b> Unwrap and place in microwave-safe container	8 oz, 16 oz (227 g, 454 g)

## Weight Defrost

- For optimal result, food should be 0°F (-18°C) or colder when defrosting.
- Unwrap foods and remove lids (from fruit juice) before defrosting.
- Shallow packages will defrost more quickly than deep blocks.
- Separate food pieces as soon as possible during or at the end of the cycle for more even defrosting.
- Foods left outside the freezer for more than 20 minutes or frozen ready-made food should not be defrosted using the Defrost feature but should be defrosted manually.
- Use small pieces of aluminum foil to shield parts of food such as chicken wings leg tips, and fish tails. See the 'Aluminum Foil and Metal' section first.
- Times and cooking powers have been preset for defrosting a number of food types.

Item	Food Category	Weight
P1	Poultry	0.5 lbs-6.6 lbs/0.1 lbs
P2	Meat	0.5 lbs-6.6 lbs/0.1 lbs
P3	Fish	0.5 lbs-6.6 lbs/0.1 lbs

### DEFROST PREPARATION CHART

#### POULTRY

**Chicken:** whole and cut up

**Cornish hens**

**Turkey:** breast

Place in a microwave safe container, chicken breast side up. Remove giblets from whole chicken.

#### MEAT

**Beef:** ground, steaks, roast, stew

**Lamb:** stew and chops

**Pork:** chops, ribs, roasts, sausage

The narrow or fatty areas of irregular-shaped cuts should be shielded with foil before defrosting.

Do not defrost less than 1/4 lb (113 g) or two 4 oz (113 g) patties.

Place all meats in a microwave-safe container.

#### FISH

Fillets, Steaks, Whole, Shellfish

Place in a microwave-safe container.

## Steam Clean

This automatic cleaning cycle will help you to clean the microwave oven cavity and to remove unpleasant odors.

### Before Starting the cycle:

1. Put 250 mL water into a container (see our recommendations in the below section "Tips and suggestions").
2. Place the container directly on the middle of the cavity.

### To Start The Cycle:

1. Press the Steam Clean button, the cleaning cycle duration will be visible on the display.
2. Press the Start button to Start the function.

### When The Cycle Is Finished:

1. Press the Cancel button.
2. Remove the container.
3. Use a soft cloth or a paper towel with mild detergent to clean the interior surfaces.

### Tips and suggestions:

For a better cleaning result, it is recommended to use a container with a diameter of 17-20 cm, and a height that is lower than 6.5 cm.

It is recommended to use a container of light plastic material that is suitable for the microwave.

As the container will be hot after the cleaning cycle is completed, it is recommended to use a heat resistant glove when removing the container from the microwave.

For a better cleaning effect and removal of unpleasant odors, add some lemon juice or vinegar to the water.

## Keep Warm

This function allows you to keep your dishes warm.

1. Touch "Keep Warm" button.
2. Press +/- button to select suitable time, then press Start button to Start.  
Default time is 30 minutes, maximum time is 60 minutes.

Food	Weight Container	Temperature	Container
Tuna	4 cups	165°F (73.8°C)	Microwave safe dish
Noodle	(880 g)		
Casserole			

---

# MICROWAVE OVEN CARE

---

## General Cleaning

**IMPORTANT:** Before cleaning, make sure all controls are off and the microwave oven is cool. Always follow label instructions on cleaning products.

Soap, water, and a soft cloth or sponge are suggested unless otherwise noted.

---

### MICROWAVE OVEN CAVITY

---

To avoid damage to the microwave oven cavity, do not use soap-filled scouring pads, abrasive cleaners, steel-wool pads, gritty washcloths, or some recycled paper towels.

To avoid damage to stainless steel models, rub in direction of grain.

The area where the microwave oven door and frame touch when closed should be kept clean.

#### Average soil

- Mild, nonabrasive soaps and detergents:  
Rinse with clean water and dry with soft, lint-free cloth.

#### Heavy soil

- Mild, nonabrasive soaps and detergents:  
Heat 1 cup (250 mL) of water for 2 to 5 minutes in microwave oven. Steam will soften soil. Rinse with clean water and dry with soft, lint-free cloth.

#### Odors

- Lemon juice or vinegar:  
Heat 1 cup (250 mL) of water with 1 tbs (15 mL) of either lemon juice or vinegar for 2 to 5 minutes in microwave oven.

#### Microwave Inlet Cover

To avoid arcing and microwave oven damage, the microwave inlet cover (see the “Parts and Features” section) should be kept clean.

- Wipe with wet cloth.

---

### MICROWAVE OVEN DOOR AND EXTERIOR

---

The area where the microwave oven door and frame touch when closed should be kept clean.

- Mild, nonabrasive soaps and detergents:  
Rinse with clean water and dry with soft, lint-free cloth.
- Glass cleaner and paper towels or nonabrasive plastic scrubbing pad:  
Apply glass cleaner to towel, not directly to surface.

#### Stainless Steel (on some models)

To avoid damage to microwave oven door and exterior, do not use soap-filled scouring pads, abrasive cleaners, steel-wool pads, gritty washcloths, or some paper towels. Rub in direction of grain.

- Stainless steel cleaner (not included):  
See “Assistance or Service” section to order.
- All-purpose cleaner:  
Rinse with clean water and dry with soft, lint-free cloth.
- Vinegar for hard water spots

---

### CONTROL PANEL

---

- Sponge or soft cloth and water:  
Dampen sponge with water and wipe panel. Dry with soft cloth.
- To avoid damage to the control panel, do not use chemical or abrasive cleansers.

---

### TURNTABLE

---

Replace turntable immediately after cleaning. Do not operate the microwave oven without the turntable in place.

- Mild cleanser and scouring pad
- Dishwasher

# TROUBLESHOOTING

First try the solutions suggested here. If you need further assistance or more recommendations that may help you avoid a service call, refer to the warranty or visit [www.kitchenaid.com/customer-service/](http://www.kitchenaid.com/customer-service/).

Contact us by mail with any questions or concerns at the address below:

In the U.S.A.:

KitchenAid Brand Home Appliances  
Customer eXperience Centre  
553 Benson Road  
Benton Harbor, MI 49022-2692

In Canada:

KitchenAid Brand Home Appliances  
Customer eXperience Center  
220-6750 Century Ave  
Mississauga, Ontario L5N 0B7

Please include a daytime phone number in your correspondence.

If you experience	Recommended Solutions
Nothing will operate	<p><b>Check the following:</b></p> <ul style="list-style-type: none"><li>■ <b>Household fuse or circuit breaker:</b> If a household fuse has blown or a circuit breaker has tripped, replace the fuse or reset the circuit breaker. If the problem continues, call an electrician.</li></ul>
Microwave oven will not operate	<p><b>Check the following:</b></p> <ul style="list-style-type: none"><li>■ <b>Magnetron:</b> Try to heat 1 cup (250 mL) of cold water for 2 minutes at 100% cooking power. If water does not heat, try the steps in the bullets below. If microwave oven still does not operate, call for service.</li><li>■ <b>Door:</b> Firmly close door. On some models, if a packaging spacer is attached to the inside of the door, remove it, then firmly close door. If a message about the door appears in the display, the door has been closed for 5 minutes or more without the microwave oven being Started. This occurs to avoid unintended Starting of the microwave oven. Open and close the door, then Start the cycle.</li><li>■ <b>Control:</b> Make sure control is set properly. Make sure Control Lock is OFF. Make sure Demo mode (on some models) is OFF.</li></ul>
Microwave oven makes humming noise	<ul style="list-style-type: none"><li>■ This is normal and occurs when the power supply in the magnetron cycles on.</li></ul>
Microwave oven door looks wavy	<ul style="list-style-type: none"><li>■ This is normal and will not affect performance.</li></ul>
Turntable will not operate	<p><b>Check the following:</b></p> <ul style="list-style-type: none"><li>■ <b>Turntable:</b> Make sure turntable is correct side up and is sitting securely on the turntable support. See the “Turntable” section.</li><li>■ <b>Turntable support:</b> Remove turntable. Remove and clean turntable hub, support, and rollers. Replace hub, support, and turntable. Place 1 cup (250 mL) of water on the turntable, then restart microwave oven. If it still is not working, call for service. See the “Assistance or Service” section. Do not operate the microwave oven without turntable and turntable support working properly.</li></ul>
Turntable alternates rotation directions	<ul style="list-style-type: none"><li>■ This is normal and depends on motor rotation at the beginning of the cycle.</li></ul>
Display shows messages	<ul style="list-style-type: none"><li>■ A flashing “0:00” means there has been a power failure. Reset the clock.</li></ul>
Display shows time countdown, but the microwave oven is not operating	<p><b>Check the following:</b></p> <ul style="list-style-type: none"><li>■ <b>Timer:</b> See the “Timer” section.</li></ul>
Tones are not sounding	<p><b>Check the following:</b></p> <ul style="list-style-type: none"><li>■ <b>Tones:</b> See the “Tones” section.</li></ul>
Cooking times seem too long	<p><b>Check the following:</b></p> <ul style="list-style-type: none"><li>■ <b>Cooking power:</b> See the “Microwave Cooking Power” section.</li><li>■ <b>Amount of food:</b> Larger amounts of food need longer cooking times.</li><li>■ <b>Voltage:</b> Have a qualified electrician check the electrical system in the home.</li></ul>
Odor coming from microwave oven during convection and / grill cooking	<ul style="list-style-type: none"><li>■ This is normal for the first few convection and/or grills cycles. The odor will dissipate with repeated use.</li></ul>

If you experience	Recommended Solutions
Radio, TV, or cordless phone interference	<p><b>Check the following:</b></p> <ul style="list-style-type: none"> <li>■ <b>Proximity:</b> Move the receiver away from the microwave oven or adjust the radio or TV antenna. If the microwave oven is plugged into the same outlet, try a different outlet for the electronic device.</li> <li>■ <b>Soil:</b> Make sure the microwave oven door and sealing surfaces are clean.</li> <li>■ <b>Frequency:</b> Some 2.4 GHz-based cordless phones and home wireless networks may experience static or noise while microwave oven is on. Use a corded phone, a different frequency cordless phone, or avoid using these items during microwave oven operation.</li> </ul>

## ASSISTANCE OR SERVICE

### If you need service:

For information on warranty, please visit [www.kitchenaid.com/service-and-support](http://www.kitchenaid.com/service-and-support).

### If you need replacement parts:

If you need to order replacement parts, we recommend that you use only factory specified parts. These factory specified parts will fit right and work right because they are made with the same precision used to build every new KitchenAid® appliance.

To locate factory specified parts in your area, call us or your nearest KitchenAid® designated service center.

### In the U.S.A.

Call the KitchenAid Customer eXperience Center toll-free: **1-800-422-1230** or visit our website at [www.kitchenaid.com](http://www.kitchenaid.com).

### Our consultants provide assistance with:

- Scheduling of service. KitchenAid® appliances designated service technicians are trained to fulfill the product warranty and provide after-warranty service anywhere in the United States.
- Features and specifications on our full line of appliances.
- Referrals to local KitchenAid® appliance dealers.
- Installation information.
- Use and maintenance procedures.
- Accessory and repair parts sales.
- Specialized customer assistance (Spanish speaking, hearing impaired, limited vision, etc.).

### For further assistance:

If you need further assistance, you can write to KitchenAid with any questions or concerns at:

KitchenAid Brand Home Appliances  
Customer eXperience Center  
553 Benson Road  
Benton Harbor, MI 49022-2692

Please include a daytime phone number in your correspondence.

### In Canada

Call the KitchenAid Customer eXperience Center toll-free: **1-800-807-6777** or visit our website at [www.kitchenaid.ca](http://www.kitchenaid.ca).

### Our consultants provide assistance with:

- Scheduling of service. KitchenAid® appliances designated service technicians are trained to fulfill the product warranty and provide after-warranty service anywhere in the Canada.
- Features and specifications on our full line of appliances.
- Referrals to local KitchenAid® appliance dealers.
- Installation information.
- Use and maintenance procedures.
- Accessory and repair parts sales.

### For further assistance:

If you need further assistance, you can write to KitchenAid with any questions or concerns at:

KitchenAid Brand Home Appliances  
Customer eXperience Centre  
220-6750 Century Ave  
Mississauga, Ontario L5N 0B7

Please include a daytime phone number in your correspondence

## Replacement Parts

Glass Turntable Part Number W11664477	Turntable Hub Part Number W11664468
Turntable Support and Rollers Part Number W11664478	

## Built-In Kits

This counter top microwave oven can be built in by using one of the following trim kits\*. These kits are available from the dealer or can be ordered by kit model number. See the "Assistance or Service" section for the toll-free number.

Kit Size	Kit Model Numbers/Color
27" (68.6 cm)	MTK2227PZ/Stainless
	MTK2227PV /Black stainless Steel
	MTK2227PB/Black
30" (76.2 cm)	MTK2230PZ/Stainless
	MTK2230PV/Black stainless Steel
	MTK2230PB/Black

\*The built-in trim kits can be installed over any (electric) built-in wall oven, up to 30" (76.2 cm).



# SEGURIDAD DEL HORNO MICROONDAS

## Su seguridad y la seguridad de los demás es muy importante.

Hemos incluido muchos mensajes importantes de seguridad en este manual y en su electrodoméstico. Lea y obedezca siempre todos los mensajes de seguridad.



Este es el símbolo de alerta de seguridad.

Este símbolo le llama la atención sobre peligros potenciales que pueden ocasionar la muerte o una lesión a usted y a los demás.

Todos los mensajes de seguridad irán a continuación del símbolo de advertencia de seguridad y de la palabra "PELIGRO" o "ADVERTENCIA". Estas palabras significan:

 **PELIGRO**

Si no sigue las instrucciones de inmediato, usted puede morir o sufrir una lesión grave.

 **ADVERTENCIA**

Si no sigue las instrucciones, usted puede morir o sufrir una lesión grave.

Todos los mensajes de seguridad le dirán el peligro potencial, le dirán cómo reducir las posibilidades de sufrir una lesión y lo que puede suceder si no se siguen las instrucciones.

## INSTRUCCIONES IMPORTANTES DE SEGURIDAD

Al utilizar aparatos eléctricos, se deben seguir las precauciones básicas de seguridad, entre las que se incluyen las siguientes:

**ADVERTENCIA:** Para minimizar el riesgo de quemaduras, choque eléctrico, incendio, lesiones a las personas o exposición a energía de microondas excesiva:

- Lea todas las instrucciones antes de usar el horno microondas.
- Lea y siga las "PRECAUCIONES PARA EVITAR LA POSIBLE EXPOSICIÓN A ENERGÍA DE MICROONDAS EXCESIVA" específicas que se muestran en esta sección.
- El horno de microondas deberá estar conectado a tierra. Conéctelo solamente a un contacto debidamente conectado a tierra. Consulte las "INSTRUCCIONES DE CONEXIÓN A TIERRA" en esta sección y en las "INSTRUCCIONES DE INSTALACIÓN".
- Instale o ubique el horno microondas únicamente según las instrucciones de instalación proporcionadas.
- Algunos productos, como los huevos enteros con cáscara y los contenedores cerrados (por ejemplo, los frascos de vidrio cerrados) pueden explotar y, por ese motivo, no se deben calentar en el horno microondas.
- Utilice el horno microondas solo para su uso previsto como se indica en este manual. No utilice químicos corrosivos o vapores en el horno microondas. Este tipo de horno se encuentra diseñado específicamente para calentar, cocinar o secar alimentos.
- Como con cualquier aparato, si lo utilizan niños se necesita una estrecha supervisión.
- No use el horno microondas si el cable o enchufe se encuentran dañados, no está funcionando adecuadamente o ha sufrido daños o caídas.
- Solo personal calificado debe realizar el mantenimiento del horno microondas. Comuníquese con alguna empresa de servicio autorizada para su examen, reparación o ajuste.
- No cubra ni bloquee ninguna abertura del horno microondas.
- No use el horno de microondas cerca del agua – por ejemplo, cerca de un fregadero, en un sótano húmedo, o cerca de una piscina o lugares similares.
- No sumerja el cable ni el enchufe en agua.
- Mantenga el cable lejos de las superficies calientes.
- No deje que el cable cuelgue del borde de la mesa o del mostrador.
- Vea las instrucciones de limpieza de la superficie de la puerta en la sección "Cuidado del horno microondas".
- Para reducir el riesgo de incendio en la cavidad del horno:
  - No recueza los alimentos. Vigile el horno microondas si utiliza papel, plástico u otros materiales combustibles dentro de este para facilitar la cocción.
  - Retire las amarras de alambre de las bolsas de papel o plástico antes de introducir las en el horno.
  - Si algún material se prende fuego dentro del horno, mantenga la puerta cerrada, apague el horno y desenchúfelo o corte la corriente en el panel de fusibles o del disyuntor.
  - No deje productos de papel, utensilios de cocina o alimentos en la cavidad cuando no se encuentre en uso.

## GUARDE ESTAS INSTRUCCIONES

## INSTRUCCIONES IMPORTANTES DE SEGURIDAD

- Los líquidos, como el agua, café o té, se pueden sobrepasar del punto de ebullición sin que parezca que están hirviendo. La ebullición o las burbujas visibles no se encuentran siempre presentes al retirar el contenedor del horno microondas. **ESTO PUEDE TENER COMO RESULTADO LÍQUIDOS MUY CALIENTES QUE HIERVEN REPENTINAMENTE AL MOVER EL CONTENEDOR O INSERTAR UNA CUCHARA U OTRO UTENSILIO EN EL LÍQUIDO.**

A fin de reducir el riesgo de lesiones personales:

- No caliente el líquido más de lo necesario.
- Revuelva el líquido antes y mientras se calienta.
- No utilice contenedores de una pieza con cuello delgado.
- Después de calentarlo, deje reposar el contenedor en el horno de microondas por unos momentos antes de retirarlo.
- Tenga extremo cuidado al insertar una cuchara u otro utensilio en el contenedor.

## GUARDE ESTAS INSTRUCCIONES

## PRECAUCIONES PARA EVITAR LA POSIBLE EXPOSICIÓN A ENERGÍA EXCESIVA DE MICROONDAS

- (a) No intente operar este horno con la puerta abierta ya que esto puede resultar en exposición nociva a energía de microondas. Es importante no forzar o impedir la operación de las trabas de seguridad.
- (b) No ponga ningún objeto entre la cara frontal del horno y la puerta y no permita que se acumule polvo o residuos de limpiadores en las superficies de sellado.
- (c) No opere el horno si éste está dañado. Es particularmente importante que la puerta del horno cierre correctamente y que no haya daño en:
  - (1) La puerta (torcida),
  - (2) Bisagras y seguros (rotos o flojos),
  - (3) Sellos de la puerta y superficies de sellado.
- (d) El horno no debe ser ajustado o reparado por nadie, excepto personal de servicio calificado.

Este dispositivo cumple con la parte 18 de las reglas de la FCC.

# INSTRUCCIONES DE INSTALACIÓN

## Desempaque

1. Retire todo el material de embalaje del interior del horno microondas.
2. Limpie el interior con un paño suave húmedo.
3. Revise si hay daños, como:
  - Una puerta que no esté alineada correctamente,
  - Daños alrededor de la puerta, o
  - Abolladuras en el interior o el exterior del horno microondas.

Si hay algún daño, no use el horno microondas hasta que un técnico de servicio designado lo haya revisado y hecho cualquier reparación necesaria.

**NOTA:** Para evitar daños al horno microondas, no retire la cubierta de la entrada. Consulte la sección "Piezas y funciones".

## Requisitos de ubicación

### ⚠ ADVERTENCIA

#### Peligro de Peso Excesivo

**Use dos o más personas para mover e instalar el horno de microondas.**

**No seguir esta instrucción puede ocasionar una lesión en la espalda u otro tipo de lesiones.**

**IMPORTANTE:** El lado de los controles del horno microondas es el lado pesado. Manipule el horno microondas con delicadeza. El peso del horno microondas supera las 35 libras (15,9 kg).

- Coloque el horno microondas en un carro, mostrador, mesa o estante lo suficiente fuerte como para sostener el horno microondas y la comida y los utensilios que se coloquen en el interior.
- El horno microondas deberá estar a una temperatura de más de 50 °F (10 °C) para que funcione adecuadamente.

**NOTA:** Algunos modelos pueden empotrarse en la pared o en un gabinete utilizando uno de los juegos de adorno que figuran en la sección "Asistencia o servicio técnico".

- No bloquee los ductos de escape o los orificios de entrada de aire. Deje algunas pulgadas de espacio en la parte posterior y a los lados del horno microondas en donde se encuentran los ductos de escape. Si los ductos de escape se bloquean, se podrían producir daños en el horno microondas, así como resultados de cocción deficientes.
- Asegúrese de que las patas niveladoras estén en su lugar para garantizar el flujo de aire adecuado. Si los ductos se bloquean, un mecanismo térmico sensible podría apagar el horno microondas automáticamente. El horno microondas deberá funcionar correctamente una vez que se haya enfriado.

## Requisitos eléctricos

### ⚠ ADVERTENCIA



#### Peligro de Choque Eléctrico

**Conecte a un contacto de pared de conexión a tierra de 3 terminales.**

**No quite la terminal de conexión a tierra.**

**No use un adaptador.**

**No use un cable eléctrico de extensión.**

**No seguir estas instrucciones puede ocasionar la muerte, incendio o choque eléctrico.**

Respete todas las normativas y reglamentos vigentes.

**Se necesita:**

- Un suministro eléctrico de 120 V, 60 Hz CA solamente, de 15 A o 20 A con fusible o disyuntor.

**Se recomienda:**

- Un fusible o un disyuntor retardador
- Un circuito separado que preste servicio solamente a este horno microondas

## INSTRUCCIONES PARA LA CONEXIÓN A TIERRA

### ■ Para todos los aparatos electrodomésticos de conexión con cable:

El horno de microondas debe estar conectado a tierra. En caso de que se produzca un cortocircuito, la conexión a tierra reduce el riesgo de electrocución por medio de un alambre de escape para la corriente eléctrica. El horno de microondas está equipado con un cable que tiene un alambre de conexión a tierra con un enchufe para conexión a tierra. El enchufe debe estar conectado a un tomacorriente que está correctamente instalado y conectado a tierra.

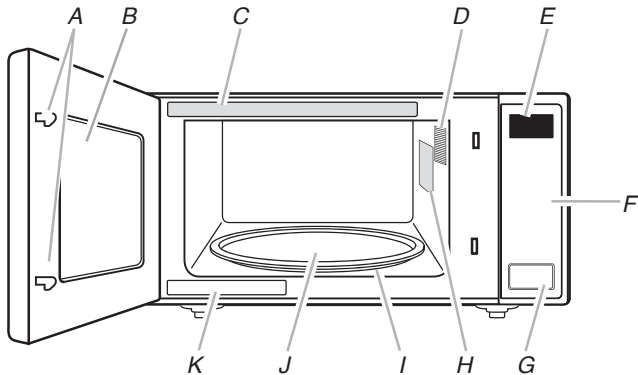
**ADVERTENCIA:** El uso incorrecto del enchufe para la conexión a tierra puede resultar en riesgo de electrocución. Consulte con un electricista o técnico calificado si las instrucciones para conexión a tierra no se entienden bien o si hay alguna duda con respecto a la correcta conexión a tierra del horno de microondas.

No use un cable de extensión. Si el cable de suministro eléctrico es muy corto, haga que un electricista o técnico calificado instale un tomacorriente cerca del horno de microondas.

## GUARDE ESTAS INSTRUCCIONES

# PIEZAS Y FUNCIONES

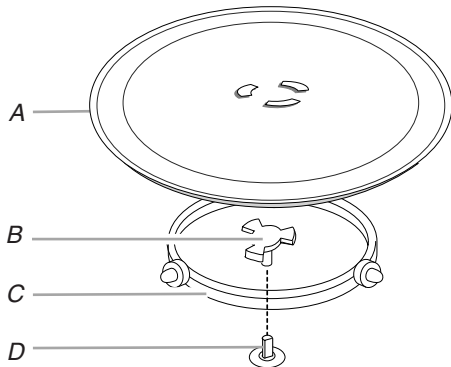
Este manual puede cubrir varios modelos diferentes. El modelo que adquirió puede tener algunas o todas las funciones que aparecen a continuación. La apariencia de su modelo en particular puede ser ligeramente diferente de las ilustraciones en este manual.



- |                                       |   |
|---------------------------------------|---|
| A. Manija de la puerta                | H. Soporte desmontable de bandeja giratoria |
| B. Ventana                            | I. Bandeja giratoria de vidrio              |
| C. Etiqueta con guía de cocción       | J. Sistema de bloqueo de la puerta          |
| D. Luz del horno microondas           | K. Placa de número de modelo y de serie     |
| E. Pantalla                           |   |
| F. Panel de control                   |   |
| G. Cubierta de entrada del microondas |   |

**NOTA:** Para evitar daños al horno microondas, no retire la cubierta de la entrada. Consulte la sección “Piezas y funciones”.

## Bandeja giratoria



- A. Bandeja giratoria  
 B. Eje  
 C. Soporte  
 D. Eje

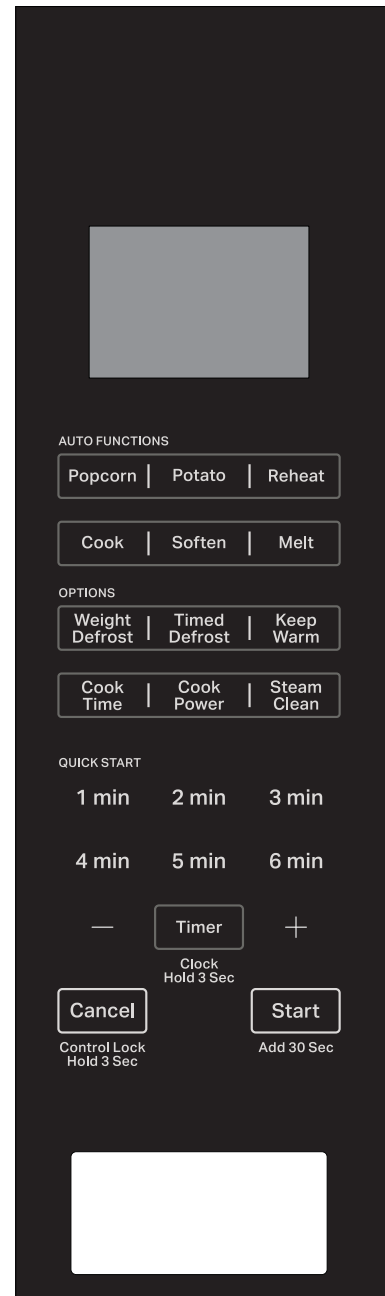
La bandeja giratoria puede rotar en ambas direcciones para ayudar a cocinar los alimentos de manera más pareja. Para obtener resultados de cocción óptimos, no utilice el horno microondas sin la bandeja giratoria en su lugar. Consulte la sección “Asistencia o servicio técnico” para volver a pedir alguna de las piezas.

### Para instalar:

1. Coloque el soporte en la base de la cavidad del horno microondas.
2. Coloque la bandeja giratoria sobre el soporte.

Las líneas curvas elevadas del centro de la parte inferior de la bandeja giratoria deben encajarse entre los tres rayos del eje. Los rodillos del soporte deben encajar dentro del canal debajo de la bandeja giratoria.

## Control del horno microondas



## Instrucciones del teclado

Teclado	Función	Instrucciones
Timer (Temporizador) (Mantener para ajustar el reloj)	Mantenga presionada para configurar el reloj	<p>Para ajustar el reloj, siga las instrucciones a continuación:</p> <ol style="list-style-type: none"> <li>1. Presione Timer (Temporizador) por 3 segundos para ingresar a los ajustes del reloj.</li> <li>2. Presione el botón +/- para ajustar la hora, presione el botón Start (Inicio) para confirmar.</li> <li>3. Presione el botón +/- para ajustar el minuto.</li> <li>4. Presione el botón Start (Inicio).</li> </ol> <p><b>NOTA:</b> El horno microondas debe estar en modo de espera. También aparecerá cada vez que el producto se conecte a la fuente de energía, o cuando esta regrese después de una falla.</p> <p><b>NOTA:</b> Cuando lo enchufe, la pantalla mostrará "12Hr" ("12" parpadeando), utilice +/- para cambiar el formato de 12 o 24 horas, presione Start (Inicio) para confirmar; entonces la pantalla mostrará "12:00".</p>
Timer (Temporizador) (Mantener para ajustar el reloj)	Configurar el temporizador de cocina	<p>El temporizador de cocina funciona como un cronómetro. Para configurar el temporizador de cocina, siga las instrucciones a continuación:</p> <ol style="list-style-type: none"> <li>1. Presione el botón de Timer (Temporizador).</li> <li>2. Presione el botón +/- para introducir la hora deseada.</li> <li>3. Presione el botón Start (Inicio).</li> </ol> <p><b>NOTA:</b> Cuando la cuenta regresiva del temporizador está activa en la pantalla, toque Cancel (Cancelar) para Cancelar el temporizador. El temporizador no pone en marcha ni detiene el horno microondas.</p>
Start (Inicio) +30 seg	Agregar 30 segundos	<p>El botón Start (Inicio) puede utilizarse de dos maneras:</p> <ol style="list-style-type: none"> <li>1. Para poner en marcha el microondas cocinando durante 30 segundos a plena potencia en modo de espera.</li> <li>2. Para aumentar el tiempo de cocción con incrementos de 30 segundos. Cada pulsación añade 30 segundos.</li> </ol>
Start (Inicio) +30 seg	Función de inicio	<p>Presione el botón Start (Inicio) para iniciar cualquier función de cocción. Si se interrumpe la cocción al abrir la puerta, toque el botón Start (Inicio) después de cerrar la puerta nuevamente para reanudar el ciclo.</p>
Cancel (Cancelar) Bloqueo de controles, mantenga presionado por 3 segundos)	Cancelar el horno microondas	<p>El botón Cancel (Cancelar) detiene todas las funciones del horno microondas, con excepción del reloj y el bloqueo de controles.</p> <p>El horno microondas también se apagará cuando la puerta se abra. Cuando se abra la puerta, los elementos se apagarán pero la luz del horno microondas seguirá encendida. Cierre la puerta y toque el botón Start (Inicio) para reanudar el ciclo.</p>
Cancel (Cancelar) (Bloqueo de controles, mantenga presionado por 3 segundos)	Activar el bloqueo de controles	<p>Active el bloqueo de controles para evitar un inicio involuntario. Para activarlo, mantenga presionado el botón Cancel (Cancelar) durante 3 segundos hasta que aparezca el icono de controles bloqueados en la pantalla.</p> <p>Repita el procedimiento para desbloquear los controles.</p>
1 min-6 min	Inicio rápido	<p>La potencia predeterminada es completa en esta función (P100). Presione 1 min, 2 min.. o 6 min para comenzar con el tiempo mencionado en el botón.</p>
Cook Time (Tiempo de cocción)	Configurar la cocción	<p>Presione el botón "Cook Time" (Tiempo de cocción) para ajustar el tiempo de cocción manual. El nivel de potencia predeterminado es 100 %. Presione el botón +/- / 1 min-6 min para ajustar el tiempo de cocción, siga las instrucciones siguientes:</p> <ol style="list-style-type: none"> <li>1. Presione el botón "Cook Time" (Tiempo de cocción), en la pantalla aparecerá "0:15".</li> <li>2. Presione el botón +/- / 1 min-6 min para ajustar el tiempo de cocción.</li> <li>3. Presione el botón Start (Inicio) para comenzar.</li> </ol> <p><b>NOTA:</b> Presione el botón "Power" (Potencia) para aumentar/disminuir los niveles de potencia de forma cíclica P10 P20 P30.....P100.</p>

Teclado	Función	Instrucciones
Cook Power (Potencia de cocción)	Configurar la cocción	<p>Presione el botón "Power" (Potencia) para ajustar el encendido manual. El nivel de potencia predeterminado es 100 %. Presione el botón "Power" (Potencia) o el botón +/- para cambiar el nivel de potencia.</p> <p>Por ejemplo, para configurar el tiempo a 2:30 con 90 % de potencia.</p> <ol style="list-style-type: none"> <li>1. Presione el botón "Power" (Potencia), en la pantalla aparecerá P100.</li> <li>2. Presione el botón - para reducir el nivel de potencia al 90% (P90 en la pantalla).</li> <li>3. Presione el botón Start (Inicio) para confirmar y pasar al ajuste del tiempo de cocción, por defecto aparecerá "0:15" en la pantalla.</li> <li>4. Presione el botón +/- para ajustar el tiempo de cocción a "2:30".</li> <li>5. Presione el botón Start (Inicio).</li> </ol>
Weight Defrost (Descongelado por peso)	Descongelado automático	<p>La función Auto Defrost (Descongelado automático) ayuda a descongelar los alimentos congelados. Para descongelar, siga las instrucciones a continuación:</p> <ol style="list-style-type: none"> <li>1. Presione el botón "Auto Defrost" (Descongelado automático), en la pantalla aparecerá P1.</li> <li>2. Presione el botón "Auto Defrost" (Descongelado automático) o el botón +/- para seleccionar la clase de alimento deseada.</li> <li>3. Presione el botón Start (Inicio) para confirmar, la pantalla mostrará el peso por defecto.</li> <li>4. Presione el botón +/- para ajustar el peso deseado.</li> <li>5. Presione el botón Start (Inicio).</li> </ol>
Timed Defrost (Descongelado programado)	Descongelado manual	<p>Se ha ajustado la potencia de descongelación, seleccione el tiempo de descongelación</p> <ol style="list-style-type: none"> <li>1. Presione el botón "Manual Defrost" (Descongelado manual), en la pantalla aparecerá el tiempo por defecto "0:30".</li> <li>2. Presione el botón +/- para ajustar el tiempo de descongelación.</li> <li>3. Presione el botón Start (Inicio).</li> </ol>
Reheat (Recalentar)	Recalentar	<p>Para recalentar utilizando las funciones preestablecidas, siga las instrucciones</p> <ol style="list-style-type: none"> <li>1. Presione el botón "Dinner Plate" (Plato principal) "Reheat Menu" (Menú para recalentar), en la pantalla aparecerá "P1".</li> <li>2. Utilice el botón +/- o "Dinner Plate" (Plato principal) "Reheat Menu" (Menú para recalentar) para seleccionar una categoría de alimentos. Consulte la sección Recalentar de esta guía para conocer la categoría de alimentos o el adhesivo de referencia en la placa frontal de los microondas.</li> <li>3. Presione el botón Start (Inicio).</li> <li>4. Cocción por sensor (excepto Sauce [Salsa], Soup [Sopa] y Beverage [Bebida]): Un sensor en el horno microondas detecta la humedad que se libera de los alimentos mientras se calientan y ajusta el tiempo de cocción en consecuencia. (Al seleccionar Sauce [Salsa], Soup [Sopa] y Beverage [Bebida] la pantalla mostrará el peso por defecto. Presione el botón +/- para ajustar el peso deseado. Presione el botón Start [Inicio].)</li> </ol>
Popcorn (Palomitas de maíz)	Palomitas de maíz	<p>Para usar el preajuste de palomitas de maíz, siga las instrucciones a continuación:</p> <ol style="list-style-type: none"> <li>1. Presione repetidamente el botón "Popcorn" (Palomitas de maíz) para seleccionar el tamaño de la bolsa (3,0 o 3,5 oz).</li> <li>2. Presione el botón Start (Inicio).</li> </ol>
Potato (Papa)	Cocinar papas	<p>Para usar el preajuste Potato (Papa), siga las instrucciones a continuación:</p> <ol style="list-style-type: none"> <li>1. Presione repetidamente el botón "Potato" (Papa) para seleccionar el tamaño L (grande) o S (pequeño) de la papa.</li> <li>2. Presione Start (Inicio) para confirmar, presione +/- para ajustar la cantidad.</li> <li>3. Presione el botón Start (Inicio).</li> </ol>

Teclado	Función	Instrucciones
Cook (Cocinar)	Cocción automática	<p>Para el modo Cook (Cocción), no es necesario ajustar la hora y la potencia, siga las instrucciones siguientes:</p> <ol style="list-style-type: none"> <li>1. Presione el botón “Cook” (Menú de cocción), en la pantalla aparecerá “P1”.</li> <li>2. Utilice el botón +/- o “Cook” (Cocción) para seleccionar una categoría de alimentos. Consulte la sección Menú de cocción de esta guía para conocer la categoría de alimentos o el adhesivo de referencia en la placa frontal del microondas.</li> <li>3. Presione el botón Start (Inicio).</li> <li>4. Cocción por sensor: Un sensor en el horno microondas detecta la humedad que se libera de los alimentos mientras se calientan y ajusta el tiempo de cocción en consecuencia. (Para la cocción sin sensor, la pantalla mostrará el peso por defecto. Presione el botón +/- para ajustar el peso deseado. Presione el botón Start [Inicio].)</li> </ol>
Soften (Ablandar)	Ablandar	<p>La función Soften (Ablandar) se utiliza para ablandar los alimentos. Forma de uso:</p> <ol style="list-style-type: none"> <li>1. Presione “Soften” (Ablandar), la pantalla mostrará “P1”.</li> <li>2. Utilice el botón “Soften” (Ablandar) o el botón +/- para seleccionar una categoría de alimentos, consulte la sección Menú para ablandar de esta guía para conocer la categoría de alimentos o consulte el adhesivo en la placa frontal del microondas. Presione el botón Start (Inicio) para confirmar.</li> <li>3. Utilice el botón +/- para ajustar la cantidad.</li> <li>4. Presione el botón Start (Inicio).</li> </ol>
Melt (Derretir)	Derretir	<p>La función Melt (Derretir) se utiliza para derretir alimentos. Forma de uso:</p> <ol style="list-style-type: none"> <li>1. Presione “Melt” (Derretir), la pantalla mostrará “P1”.</li> <li>2. Utilice el botón “Melt” (Derretir) o el botón +/- para seleccionar una categoría de alimentos, consulte la sección Menú para derretir de esta guía para conocer la categoría de alimentos o consulte el adhesivo de la placa frontal del microondas. Presione el botón Start (Inicio) para confirmar.</li> <li>3. Utilice el botón +/- para ajustar la cantidad.</li> <li>4. Presione el botón Start (Inicio).</li> </ol>
Keep Warm (Mantener caliente)	Mantener caliente	<p>La función permite mantener calientes sus platos. Forma de uso:</p> <ol style="list-style-type: none"> <li>1. Presione el botón “Keep Warm” (Mantener caliente), en la pantalla aparecerá la hora predeterminada “30:00”.</li> <li>2. Presione “Keep Warm” (Mantener caliente) o el botón +/- para seleccionar 15 min, 30 min, 45 min o 60 min.</li> <li>3. Presione el botón Start (Inicio).</li> </ol> <p><b>NOTA:</b> El ciclo Keep Warm (Mantener caliente) tiene una duración de 15 minutos (por defecto 30 minutos), el tiempo máximo es de 60 minutos. Cada ciclo de 15 minutos, el microondas se encenderá 1,5 min, después la lámpara de la cavidad y el ventilador se apagarán, solo se mostrará el tiempo de la cuenta regresiva.</p>
Steam Clean (Limpieza con vapor)	Ciclo de limpieza automática	<p>El ciclo de limpieza ayudará a limpiar la cavidad del horno microondas.</p> <ol style="list-style-type: none"> <li>1. Ponga 1 taza de agua (~250 ml) en el centro de la cavidad.</li> <li>2. Presione el botón “Steam Clean” (Limpieza con vapor), en la pantalla aparecerá la hora predeterminada “13:00”.</li> <li>3. Presione el botón Start (Inicio) para iniciar la función. (Después de terminar el ciclo de calentamiento del agua [3 minutos], la lámpara de la cavidad y el ventilador se apagarán, se mostrará el tiempo de cuenta regresiva.)</li> </ol> <p><b>NOTA:</b> Siga los consejos y sugerencias de la sección Limpieza con vapor.</p>
Tone On/Off (Encendido/Apagado de los tonos)	Activar o desactivar el pitido	<p>La función permite activar o desactivar el sonido del pitido:</p> <ol style="list-style-type: none"> <li>1. Presione el botón STEAM CLEAN (Limpieza con vapor) y manténgalo presionado durante 5 segundos para silenciarlo, en la pantalla aparecerá el icono de tono apagado.</li> <li>2. Mantenga presionado el botón de nuevo durante 5 segundos para activar el sonido.</li> </ol>

---

## Pantalla

Cuando se suministre energía eléctrica al horno microondas por primera vez, aparecerá en la pantalla "12 Hr". El usuario puede presionar el botón TIMER/Clock (Temporizador/Reloj) o el botón +/- para alternar entre 12Hr o 24Hr en 10 segundos.

Presione el botón Start (Inicio) para confirmar. Si aparece en la pantalla "12:00" en cualquier otro momento, se ha producido un corte de corriente. Vuelva a configurar el reloj si es necesario. Consulte la sección "Reloj".

---

## Modo Standby (En espera)

Cuando no se esté utilizando ninguna función, el horno microondas pasará al modo Standby (en espera).

---

## Start (Inicio)

El botón Start (Inicio) iniciará cualquier función. Si se interrumpe la cocción sin sensor al abrir la puerta, al presionar el botón Start (Inicio) se reanudará el ciclo.

**NOTA:** Para evitar el funcionamiento no intencional del horno microondas, una función de cocción no se puede poner en marcha si la puerta del horno microondas ha estado cerrada por aproximadamente 1 minuto. La palabra "door" (puerta) aparecerá en la pantalla hasta que la puerta se abra y se cierre.

---

## Quick Start/Add 30 seconds (Inicio rápido/Agregar 30 segundos)

En el modo de espera, al presionar Start (Inicio) el horno microondas arranca automáticamente al 100% de potencia durante 30 segundos y añade 30 segundos de tiempo de cocción, con cada pulsación adicional del control. Se puede añadir tiempo a cualquier ciclo de cocción manual en incrementos de 30 segundos, en el nivel de potencia del momento, presionando el botón Start (Inicio) durante la cocción.

---

## Cancel (Cancelar)

El botón Cancel (Cancelar) despejará cualquier comando incorrecto y anulará cualquier programa durante la cocción. Presione el botón Cancel (Cancelar) para Cancelar el ciclo. No se borrará la hora del día.

El horno microondas también se apagará cuando la puerta se abra. Cierre la puerta y presione Start (Inicio) para reanudar el ciclo. El botón Cancel (Cancelar) también se usa para bloquear y desbloquear el panel de control. Consulte la sección "Bloqueo de controles".

---

## Para utilizar el menú sin sensor (Palomitas de maíz, papas)

1. Ponga la comida en la bandeja giratoria y cierre la puerta.
2. Toque el control de menú deseado. Aparecerá en la pantalla la primera cantidad programada. Toque el teclado de control repetidamente o toque los teclados numéricos para cambiar la cantidad.
3. Toque Start (Inicio). Cuando termine el ciclo, aparecerá "End" (Fin) en la pantalla y sonará el tono de fin de ciclo.
4. Toque Cancel (Cancelar) o abra la puerta para despejar la pantalla.

---

## Clock (Reloj)

### Para ajustar:

El horno microondas debe estar en modo de espera.

1. Presione el botón Timer/Clock (Temporizador/Reloj) durante 3 segundos para entrar en la configuración del reloj. También aparecerá cada vez que el producto se conecte a la fuente de energía, o cuando esta regrese después de una falla.

2. Presione el botón + / - para ajustar la hora.
3. Presione el botón Start (Inicio) para confirmar.
4. Presione el botón + / - para ajustar los minutos.
5. Presione el botón Start (Inicio) para confirmar el ajuste.

---

## Timer (Temporizador)

### Para ajustar:

1. Presione el botón Timer/Clock (Temporizador/Reloj)
2. Presione el botón +/- para introducir la hora deseada.
3. Presione el botón Start (Inicio). Cuando finaliza el tiempo programado, el fin de temporizador
4. Cuando la cuenta atrás del temporizador se alcance en la pantalla, sonará un tono. Presione Cancel (Cancelar) para Cancelar el temporizador.

**NOTA:** El temporizador no pone en marcha ni detiene el horno microondas. La función se puede configurar solo en el modo de espera.

---

## Tones ON/OFF (Encendido/Apagado de los tonos)

Esta función le permite al usuario activar o desactivar todos los sonidos que reproducen los electrodomésticos, incluye pulsación de botón, advertencias, alarma e incluso retroalimentación de audio final.

Mantenga presionado el botón Steam Clean (Limpieza con vapor) por 5 segundos para ponerlo en silencio, vuelva a mantenerlo presionado por 5 segundos para volver a encender el sonido.

---

## Control Lock (Bloqueo de controles)

Control Lock (Bloqueo de controles) desactiva los botones del panel de control para evitar el uso accidental del horno microondas.

**Para bloquear/desbloquear controles:** El horno microondas debe estar apagado. Mantenga presionado el botón Cancel (Cancelar) durante unos 3 segundos hasta que suene el tono y aparezca el icono del CANDADO en la pantalla. Repita para desbloquear y borrar la pantalla.

Si se toca cualquier control de la función de cocción mientras el bloqueo de controles está activo, sonará un tono.

---

## Fin de la cocción

Cuando termine la cocción, la pantalla mostrará el texto "End" (Fin). Se emitirá un pitido acústico recordatorio.

---

## Para utilizar el menú del sensor (Menú Reheat, Cook [Recalentar, Cocinar])

1. Coloque la comida en la bandeja giratoria y cierre la puerta.
2. Toque el control de menú deseado.
3. Toque Start (Inicio), la animación del segmento en marcha aparecerá en la pantalla. El horno microondas se pondrá en marcha y comenzará la cocción por sensor.



El segmento en marcha permanecerá en la pantalla hasta que el sensor haya determinado el tiempo de cocción restante.

4. Cuando termine el ciclo, aparecerá "End" (Fin) en la pantalla y sonarán los tonos de fin de ciclo.
5. Toque Cancel (Cancelar) o abra la puerta para despejar la pantalla.

**(NOTA:** Sauce (Salsa), Soup (Sopa), Beverage (Bebida) en el menú Reheat (Recalentar) sin utilizar la cocción por sensor).



---

# USO DEL HORNO MICROONDAS

---

El magnetrón del horno microondas produce microondas que se reflejan del piso de metal, las paredes y el techo y atraviesan la bandeja giratoria y los utensilios adecuados hasta los alimentos. La grasa, el azúcar y las moléculas de agua de los alimentos atraen y absorben las microondas, que los hace mover y producir la fricción y el calor que cocinan los alimentos.

- Para evitar daños al horno microondas, no se apoye en la puerta ni permita que los niños jueguen con ella.
- Para evitar daños al horno microondas, no lo haga funcionar vacío.
- Los biberones y los tarros de comida para bebé no se deben calentar en el horno microondas.
- No se debe secar en el horno microondas ropa, flores, fruta, hierbas, madera, calabazas ni papel, incluidas las bolsas de papel marrón y el papel de periódico.
- La cera de parafina no se derretirá en el horno porque no absorbe las microondas.
- Use guantes para hornear o agarraderas para retirar recipientes del horno microondas.
- No recueza las papas. Al cabo del tiempo de cocción recomendado, las papas deberán estar ligeramente firmes. Déjelas reposar durante 5 minutos. Se terminarán de cocinar durante el reposo.
- No cocine ni recaliente huevos enteros dentro de la cáscara. La acumulación de vapor en los huevos enteros hacer que exploten y se requiera una limpieza importante de la cavidad del horno microondas. Cubra los huevos escalfados y déjelos reposar por cierto tiempo.

---

## Características de los alimentos

Al cocinar con microondas, la cantidad, el tamaño y la forma, la temperatura de inicio, la composición y la densidad de los alimentos afectan los resultados de la cocción.

### Cantidad de alimentos

Cuanto mayor sea la cantidad de alimentos que se caliente simultáneamente, más tiempo de cocción se necesitará. Verifique el grado de cocción y agregue breves incrementos de tiempo si fuera necesario.

### Tamaño y forma

Los pedazos de alimentos más pequeños se cocinarán con mayor rapidez que los pedazos grandes y los alimentos de forma pareja se cocinarán con mayor uniformidad que los de forma irregular.

### Temperatura inicial

Los alimentos que estén a temperatura ambiente se calentarán con mayor rapidez que los refrigerados y los alimentos refrigerados se calentarán con mayor rapidez que los congelados.

### Composición y densidad

Los alimentos con alto contenido de grasa y de azúcar alcanzarán mayor temperatura y se calentarán con mayor rapidez que otros alimentos. Los alimentos pesados y densos, como la carne y papas necesitan un tiempo de cocción más prolongado que el mismo tamaño de alimentos con densidad ligera y porosa como los pasteles o tortas.

---

## Pautas para cocinar

### Cubrir

Cubrir los alimentos ayuda a retener la humedad, acortar el tiempo de cocción y producir menos salpicaduras. Use la tapa provista con los utensilios de cocina. Si no tiene una tapa, puede usar papel de cera, toallas de papel o envoltorios de plástico aptos para hornos microondas. Los envoltorios de plástico se deben doblar en una esquina para proporcionar una abertura para que salga el vapor. La condensación en la puerta y en las superficies de la cavidad es normal durante una cocción intensa.

### Revolver y voltear los alimentos

Al revolver y voltear los alimentos, el calor se redistribuye uniformemente y se evita recocer los bordes exteriores de los alimentos. Revuelva de afuera hacia el centro. De ser posible, dé vuelta los alimentos de abajo hacia arriba.

### Disponer los alimentos

Al calentar alimentos de tamaño irregular o de diversos tamaños, las partes más delgadas y los alimentos más pequeños deben disponerse hacia el centro. Al cocinar varios alimentos del mismo tamaño y forma, colóquelos en círculo, dejando vacío el centro del círculo.

### Pinchar los alimentos

Antes de calentar, use un tenedor o un cuchillo pequeño para pinchar o hacer piquetes en los alimentos que tienen cáscara o piel, como las papas, yemas de huevo, hígados de pollo, perros calientes y salchichas. Perfore en varios lugares para dejar que salga el vapor.

### Proteger los alimentos

Use pedazos pequeños y planos de papel de aluminio para proteger las partes delgadas de alimentos de forma irregular, huesos y alimentos como las alas de pollo, puntas de patas de pollo y colas de pescado. Consulte primero la sección "Papel de aluminio y metal".

### Tiempo de reposo

Los alimentos continuarán cocinándose por la conducción natural del calor aún después de terminado el ciclo de cocción por microondas. La duración del tiempo de reposo depende del volumen y la densidad de los alimentos.

## Utensilios de cocina y vajilla

Los utensilios de cocina y la vajilla deben caber en la bandeja giratoria. Siempre use guantes para hornear o agarraderas para manipular los utensilios, ya que cualquier plato puede calentarse por el calor transferido de los alimentos. No use utensilios ni vajilla con bordes dorados o plateados. Use el cuadro siguiente a modo de guía y luego pruebe los utensilios antes de utilizarlos.

Material	Recomendaciones
Papel de aluminio, metal	Consulte la sección "Papel de aluminio y metal".
Plato para dorar	El fondo debe estar al menos a 3/16" (5 mm) por encima de la bandeja giratoria. Siga las recomendaciones del fabricante.
Vidrio de cerámica, vidrio	Se puede usar
Porcelana, loza de barro	Siga las recomendaciones del fabricante.
Melamina	Siga las recomendaciones del fabricante.
Papel: Toallas, vajilla, servilletas	Use papel no reciclado y los que el fabricante apruebe como aptos para horno microondas.
Plástico: Envoltorios, bolsas, cubiertas, vajilla, recipientes	Use los que el fabricante apruebe como aptos para horno microondas.
Cerámica y arcilla	Siga las recomendaciones del fabricante.
Utensilios para hornear de silicona	Siga las recomendaciones del fabricante.
Recipientes de paja, de mimbre y de madera	No los use en el horno microondas.
Papel de cera	Se puede usar

### Para probar los utensilios de cocina o la vajilla que se usarán en el microondas:

1. Coloque los utensilios de cocina o vajilla en el horno microondas con 1 taza (250 ml) de agua al lado.
  2. Cocine a una potencia del 100 % durante un minuto.
- No use el utensilio de cocina ni la vajilla si se pone caliente y el agua permanece fría.

## Papel de aluminio y metal

Siempre use guantes para hornear o agarraderas al retirar los recipientes del horno microondas.

El papel de aluminio y algunos tipos de metal pueden usarse en el horno microondas. Si no se usan debidamente, pueden producir chispas (ráfagas azules de luz) y causar daños al horno microondas.

### Uso permitido

Las rejillas y los utensilios para hornear provistos con el horno microondas (en algunos modelos), el papel de aluminio para protección y los termómetros para carne aprobados se pueden utilizar teniendo en cuenta las siguientes pautas:

- Para evitar daños al horno microondas, no permita que el papel de aluminio o el metal toquen las paredes, el techo o el piso de la cavidad interior.
- Siempre use la bandeja giratoria.
- Para evitar daños al horno microondas, evite el contacto con otros objetos metálicos durante la cocción por microondas.

### Uso no permitido

No se deben utilizar en el horno microondas utensilios de cocina y de hornear metálicos, oro, plata, peltre, termómetros para carne no aprobados, pinchos, precintos, forros de papel metálico como envoltorios para empapados, grapas y objetos con bordes de oro o plata con glaseado metálico.

## Cooking (Cocción)

El horno microondas ha sido programado con alimentos comunes que se pueden poner en microondas, sus cantidades, potencias y tiempos de cocción.

Use la siguiente tabla como guía para la cocción programada.

Elemento	Categoría de alimento	Cantidad
P1	<b>Verduras frescas</b> De temperatura ambiente. Ponga los alimentos en un plato apto para microondas. Añada 2 cucharadas de agua a 1-2 tazas, añada 4 cucharadas de agua a 3-4 tazas. Cubra el plato y deje ventilación de aire. Revuelva y deje reposar 2 o 3 minutos después de la cocción.	1-4 tazas (Cocción por sensor)
P2	<b>Verduras congeladas</b> A partir de la temperatura de congelación. Colocar en un recipiente apto para microondas. Añadir 2 cucharadas de agua a 1-2 tazas, añadir 4 cucharadas de agua a 3-4 tazas. Cubra el plato y deje ventilación de aire. Revuelva y deje reposar 3 minutos después de la cocción.	1-4 tazas (Cocción por sensor)
P3	<b>Avena</b> Colóquelo en un recipiente apto para microondas y añada agua según las instrucciones del envase. Añada agua, cúbralo con envoltorio de plástico y doble un borde hacia atrás unas 1/4" (6 mm) para hacer un orificio de ventilación. Coloque el recipiente en el centro del horno. Tras la cocción, remueva con una cuchara o batidor hasta que quede uniforme.	1-4 tazas (Cocción por sensor)
P4	<b>Plato principal congelado</b> Retire el entrante del envase y afloje el film que lo recubre en 3 de sus lados, dejando uno de los lados cortos aún pegado. Cubra sin apretar con film. Deje reposar los entrantes de 10,5 y 20 oz (297 y 567 g) durante 3 minutos. Deje reposar los entrantes de 38 y 60 oz (1,1 y 1,7 kg) durante 5 minutos.	1-4 tazas (Cocción por sensor)

## Popcorn (Palomitas de maíz)

### Bolsas de 3 o 3,5 oz.

- No use bolsas de papel común ni utensilios de vidrio.
- Haga reventar un solo paquete de palomitas de maíz a la vez.
- Cuando use un recipiente especial para preparar palomitas de maíz en microondas, siga las instrucciones del fabricante.
- Escuche hasta que se reduzca la velocidad del proceso de estallado a uno cada 1 o 2 segundos; después, detenga el ciclo.
- No trate de hacer estallar de nuevo los granos que no estallaron.
- Para obtener resultados óptimos, use bolsas de maíz para estallar frescas.
- Los resultados de la cocción pueden variar según la marca y el contenido de grasa.

**NOTA:** Siga las instrucciones que proporciona el fabricante de palomitas de maíz para microondas.

## Potato (Papa)

Elemento	Categoría de alimento	Cantidad
L - Grande	Ingrese de 1 a 4 piezas, 8-10 oz (227-283 g) cada una. Pinche cada papa varias veces con un tenedor. Coloque sobre una toalla de papel, sobre el centro de la bandeja giratoria. Deje reposar 5 minutos después de la cocción.	1, 2, 3, 4 piezas/ 1 pieza
S - Papa pequeña	Ingrese de 1 a 16 piezas, 4-7 oz (110-200 g) cada una. Pinche cada papa varias veces con un tenedor. Coloque sobre una toalla de papel, sobre el centro de la bandeja giratoria. Deje reposar 5 minutos después de la cocción.	1-16 piezas/1 pieza

## Reheat (Recalentar)

Se han ajustado previamente tiempos y potencias de cocción para recalentar varios tipos de alimentos. Utilice la siguiente tabla como guía.

Elemento	Categoría de alimento	Cantidad
P1	<b>Plato principal</b> Coloque el alimento en un plato. Cubra con un envoltorio de plástico y perforo un orificio de ventilación. Deje reposar por 2 a 3 minutos después de recalentar.	10-15 oz (283-425 g) (Cocción por sensor)
P2	<b>Salsa</b> Coloque en un recipiente apto para microondas. Cubra con un envoltorio de plástico y perforo un orificio de ventilación. Revuelva y deje reposar 2 o 3 minutos después de recalentar.	1, 2, 3, 4 tazas
P3	<b>Sopa</b> Coloque en un recipiente apto para microondas. Cubra con un envoltorio de plástico y perforo un orificio de ventilación. Revuelva y deje reposar 2 o 3 minutos después de recalentar.	1, 2, 3, 4 tazas
P4	<b>Beverage (Bebidas)</b> No cubra.	1, 2, 3, 4 tazas
P5	<b>Recalentar pizza</b> Colóquela en un plato apto para microondas cubierto con una toalla de papel.	1-3 lonchas, 4 oz (113 g) por loncha (cocción por sensor)

## Soften (Ablandar)

La función Soften (Ablandar) puede utilizarse para ablandar los alimentos. Se han ajustado previamente tiempos e intensidades de cocción para varios tipos de alimentos. Utilice la siguiente tabla como guía.

Elemento	Categoría de alimento	Cantidad
P1	<b>Mantequilla</b> Retire el envoltorio y coloque en un recipiente apto para microondas.	0,5-2,0 barras/ 0,5 barras
P2	<b>Helado</b> Coloque el recipiente con helado en la bandeja giratoria.	16-64 oz/16 oz (454 g-1,8 kg/454 g)
P3	<b>Queso crema</b> Retire el envoltorio y coloque en un recipiente apto para microondas.	3 oz, 8 oz (85 g, 227 g)
P4	<b>Azúcar moreno</b> Coloque en un recipiente apto para microondas.	3 oz, 8 oz (85 g, 227 g)
P5	<b>Zumo congelado</b> Retire la tapa.	8 oz, 12 oz (227 g, 340 g)
P6	<b>Salsa de caramelo</b> Retire la tapa de la salsa de caramelo y colóquela en el centro del horno microondas.	8 oz, 16 oz (227 g, 454 g)

## Melt (Derretir)

La función Melt (Derretir) puede utilizarse para derretir sus alimentos. Se han ajustado previamente tiempos e intensidades de cocción para varios tipos de alimentos. Utilice la siguiente tabla como guía.

Elemento	Categoría de alimento	Cantidad
1	<b>Mantequilla</b> Retire el envoltorio y coloque en un recipiente apto para microondas.	0,5-2,0 barras/ 0,5 barras
2	<b>Chispas de chocolate</b> Coloque en un recipiente apto para microondas.	4 - 12 oz/4 oz (113-340 g/113 g)
3	<b>Queso crema</b> Retire el envoltorio y coloque en un recipiente apto para microondas.	8 oz, 16 oz (227 g, 454 g)
4	<b>Salsa de caramelo</b> Retire el envoltorio y coloque en un recipiente apto para microondas.	8 oz, 16 oz (227 g, 454 g)

## Weight Defrost (Descongelado por peso)

- Para un resultado óptimo, los alimentos deben estar a 0 °F (-18 °C) o más fríos cuando se descongelen.
- Quite el envoltorio de los alimentos y retire las tapas (de los jugos de fruta) antes de descongelar.
- Los paquetes poco profundos se descongelarán con más rapidez que los bloques profundos.
- Separe los trozos de alimentos lo antes posible, durante o al final del ciclo, para lograr un descongelado más uniforme.
- Los alimentos que quedan fuera del congelador más de 20 minutos o los alimentos listos para consumir congelados no se deben descongelar con la función Defrost (Descongelar) sino manualmente.
- Use pedazos pequeños de papel de aluminio para proteger partes de los alimentos como las alas y las puntas de las patas del pollo y las colas de los pescados. Consulte primero la sección “Papel de aluminio y metal”.
- Se han ajustado previamente tiempos y potencias de cocción para descongelar varios tipos de alimentos.

Elemento	Categoría de alimento	Peso
P1	Aves	0,5 lb-6,6 lb/0,1 lb
P2	Carne	0,5 lb-6,6 lb/0,1 lb
P3	Pescado	0,5 lb-6,6 lb/0,1 lb

### TABLA DE PREPARACIÓN PARA DESCONGELADO

#### AVES

**Pollo:** entero y en trozos

**Gallinas Cornish**

**Pavo:** pechuga

Coloque en un recipiente apto para microondas, con la pechuga mirando hacia arriba. Retire las menudencias del pollo entero.

#### CARNE

**Carne de res:** molida, bistecs, asados, estofados

**Cordero:** estofado y chuletas

**Cerdo:** chuletas, costillas, asados, salchichas

Las zonas angostas o con grasa de los cortes de forma irregular deben protegerse con papel de aluminio antes de descongelar.

No descongele menos de 1/4 lb (113 g) o dos hamburguesas de 4 oz (113 g).

Coloque todas las carnes en un recipiente apto para microondas.

#### PESCADO

Filetes, bistecs, enteros, mariscos

Coloque en un recipiente apto para microondas.

## Steam Clean (Limpieza con vapor)

Este ciclo de limpieza automático le ayudará a limpiar la cavidad del horno microondas y eliminar los olores desagradables.

### Antes de iniciar el ciclo:

1. Ponga 250 ml de agua en un recipiente (consulte nuestras recomendaciones en la sección “Consejos y sugerencias” a continuación).
2. Coloque el recipiente directamente en el centro de la cavidad.

### Para iniciar el ciclo:

1. Presione el botón Steam Clean (Limpieza con vapor), la duración del ciclo de limpieza será visible en la pantalla.
2. Presione el botón Start (Inicio) para iniciar la función.

### Cuando el ciclo termine:

1. Presione el botón Cancel (Cancelar).
2. Retire el recipiente.
3. Utilice un paño suave o una toalla de papel con un detergente suave para limpiar las superficies interiores.

### Consejos y sugerencias:

Para un mejor resultado de limpieza, se recomienda utilizar un recipiente con un diámetro de 17-20 cm y una altura inferior a 6,5 cm.

Se recomienda utilizar un recipiente de material plástico ligero apto para microondas.

Como el recipiente estará caliente después de que se complete el ciclo de limpieza, se recomienda usar un guante resistente al calor al sacar el recipiente de las microondas.

Para un mejor efecto de limpieza y eliminación de olores desagradables, agregue un poco de jugo de limón o vinagre al agua.

## Keep Warm (Mantener caliente)

Esta función le permite mantener sus platos calientes.

1. Toque el botón “Keep Warm” (Mantener caliente).
2. Presione el botón +/- para seleccionar la hora adecuada y, a continuación, presione el botón Start (Inicio) para comenzar. El tiempo por defecto es de 30 minutos, el tiempo máximo es de 60 minutos.

Alimentos	Recipiente de peso	Temperatura	Recipiente
Atún	4 tazas	165 °F	Plato apto para microondas
Fideos	(880 g)	(73,8 °C)	
Cacerola			

---

# CUIDADO DEL HORNO MICROONDAS

---

## Limpeza general

**IMPORTANTE:** Antes de la limpieza, asegúrese de que todos los controles estén apagados y que el horno microondas esté frío. Siempre siga las instrucciones de las etiquetas de los productos de limpieza.

Se sugiere usar agua, jabón y un paño o una esponja suave, a menos que se indique otra cosa.

---

### CAVIDAD DEL HORNO MICROONDAS

---

Para evitar daños en la cavidad del horno microondas, no use estropajos precargados con jabón, limpiadores abrasivos, estropajos de lana de acero, paños de lavar ásperos o algunas toallas de papel reciclado.

Para evitar daños en los modelos de acero inoxidable, frote en la dirección de la veta.

Se debe mantener limpia la zona donde la puerta del horno microondas hace contacto con el marco cuando está cerrada.

#### Suciedad promedio

- Jabones y detergentes suaves, no abrasivos:  
Enjuague con agua limpia y seque con un paño suave que no deje pelusa.

#### Suciedad profunda

- Jabones y detergentes suaves, no abrasivos:  
Caliente 1 taza (250 ml) de agua durante 2 a 5 minutos en el horno microondas. El vapor ablandará la suciedad. Enjuague con agua limpia y seque con un paño suave que no deje pelusa.

#### Olores

- Jugo de limón o vinagre:  
Caliente 1 taza (250 ml) de agua con 1 cucharada (15 ml) de jugo de limón o vinagre durante 2 a 5 minutos en el horno microondas.

#### Cubierta para la entrada microondas

Para evitar que se produzcan arcos y el horno microondas se dañe, la cubierta de la entrada microondas (vea "Piezas y funciones") debe mantenerse limpia.

- Limpie con un paño húmedo.

---

### PUERTA Y EXTERIOR DEL HORNO MICROONDAS

---

Se debe mantener limpia la zona donde la puerta del horno microondas hace contacto con el marco cuando está cerrada.

- Jabones y detergentes suaves, no abrasivos:  
Enjuague con agua limpia y seque con un paño suave que no deje pelusa.
- Limpiavidrios y toallas de papel o un estropajo plástico no abrasivo:  
Aplique el limpiador de vidrios a la toalla, no lo haga directamente sobre la superficie.

#### Acero inoxidable (en algunos modelos)

Para evitar daños a la puerta y el exterior del horno microondas, no use estropajos que vienen precargados con jabón, productos de limpieza abrasivos, estropajos de metal, paños ásperos o ciertas toallas de papel. Frote en la dirección de la veta.

- Limpiador de acero inoxidable (no incluido):  
Consulte la sección "Asistencia o servicio técnico" para hacer pedidos.
- Limpiador de uso general:  
Enjuague con agua limpia y seque con un paño suave que no deje pelusa.
- Vinagre para manchas de cal de agua.

---

### PANEL DE CONTROL

---

- Esponja o paño suave y agua.  
Humedezca la esponja con agua y repase el panel. Seque con un paño suave.
- Para evitar daños en el panel de control, no use sustancias químicas ni limpiadores abrasivos.

---

### BANDEJA GIRATORIA

---

Vuelva a colocar la bandeja giratoria de inmediato después de la limpieza. No ponga a funcionar el horno microondas sin la bandeja giratoria en su lugar.

- Producto de limpieza suave y estropajo
- Lavavajillas

# SOLUCIÓN DE PROBLEMAS

Pruebe primero las soluciones sugeridas aquí. Si necesita asistencia adicional o más recomendaciones que puedan ayudarle a evitar una llamada de servicio técnico, consulte la garantía o visite [www.kitchenaid.com/customer-service/](http://www.kitchenaid.com/customer-service/).

Si tiene preguntas o dudas, contáctenos por correo a la dirección que aparece a continuación:

En los EE.UU.:

KitchenAid Brand Home Appliances  
Customer eXperience Centre  
553 Benson Road  
Benton Harbor, MI 49022-2692

En Canadá:

KitchenAid Brand Home Appliances  
Customer eXperience Centre  
220-6750 Century Ave.  
Mississauga, Ontario L5N 0B7

Incluya en su correspondencia un número de teléfono en el que se le pueda localizar durante el día.

Si experimenta lo siguiente	Soluciones recomendadas
<b>Nada funciona</b>	<b>Revise lo siguiente:</b> <ul style="list-style-type: none"><li>■ <b>Fusible o disyuntor de la casa:</b> Si hay un fusible de la casa fundido o se disparó el disyuntor, reemplace el fusible o restablezca el disyuntor. Si el problema continúa, llame a un electricista.</li></ul>
<b>El horno microondas no funciona</b>	<b>Revise lo siguiente:</b> <ul style="list-style-type: none"><li>■ <b>Magnetrón:</b> Intente calentar una taza (250 ml) de agua fría durante 2 minutos al 100 % de potencia de cocción. Si el agua no se calienta, pruebe los pasos que se enumeran a continuación. Si el horno microondas aún no funciona, llame para solicitar servicio técnico.</li><li>■ <b>Puerta:</b> Cierre la puerta con firmeza. En algunos modelos, si hay un separador de empaque sujeto al interior de la puerta, retírelo y, después, cierre la puerta con firmeza. Si aparece en la pantalla un mensaje acerca de la puerta, la puerta ha estado cerrada durante 5 minutos o más sin que se haya puesto a funcionar el horno. Esto sucede para evitar que el horno microondas se ponga en marcha accidentalmente. Abra y cierre la puerta; luego, inicie el ciclo.</li><li>■ <b>Controles:</b> Asegúrese de que los controles estén configurados debidamente. Asegúrese de que el bloqueo de controles esté desactivado. Asegúrese de que el Demo mode (Modo de demostración) (en algunos modelos) esté desactivado.</li></ul>
<b>El horno microondas emite zumbidos</b>	<ul style="list-style-type: none"><li>■ Esto es normal y ocurre cuando se activa el suministro eléctrico del magnetrón.</li></ul>
<b>La puerta del horno microondas parece ondulada</b>	<ul style="list-style-type: none"><li>■ Esto es normal y no afecta el funcionamiento.</li></ul>
<b>La bandeja giratoria no funciona</b>	<b>Revise lo siguiente:</b> <ul style="list-style-type: none"><li>■ <b>Bandeja giratoria:</b> Cerciórese de que la bandeja giratoria tenga el lado correcto hacia arriba y que esté debidamente asentada en su soporte. Consulte la sección "Bandeja giratoria".</li><li>■ <b>Soporte de la bandeja giratoria:</b> Quite la bandeja giratoria. Quite y limpie el eje, el soporte y los rodillos de la bandeja giratoria. Vuelva a colocar el eje, el soporte y la bandeja giratoria. Coloque 1 taza (250 ml) de agua en la bandeja giratoria; después, vuelva a poner a funcionar el horno microondas. Si todavía no funciona, solicite servicio. Consulte la sección "Asistencia o servicio técnico". No ponga a funcionar el horno microondas si la bandeja giratoria y su soporte no están funcionando bien.</li></ul>
<b>La bandeja giratoria gira en ambas direcciones de manera alternada</b>	<ul style="list-style-type: none"><li>■ Esto es normal y depende de la rotación del motor al comienzo del ciclo.</li></ul>
<b>La pantalla muestra mensajes</b>	<ul style="list-style-type: none"><li>■ Si aparece "0:00" de manera intermitente, significa que ha habido un corte de corriente. Restablezca el reloj.</li></ul>
<b>La pantalla muestra la cuenta regresiva pero el horno microondas no está funcionando</b>	<b>Revise lo siguiente:</b> <ul style="list-style-type: none"><li>■ <b>Timer (Temporizador):</b> Consulte la sección "Temporizador".</li></ul>
<b>Las señales audibles no suenan</b>	<b>Revise lo siguiente:</b> <ul style="list-style-type: none"><li>■ <b>Tonos:</b> Consulte la sección "Tonos".</li></ul>
<b>Los tiempos de cocción parecen demasiado prolongados</b>	<b>Revise lo siguiente:</b> <ul style="list-style-type: none"><li>■ <b>Potencia de cocción:</b> Consulte la sección "Potencia de cocción del microondas".</li><li>■ <b>Cantidad de alimentos:</b> Las cantidades más grandes de alimentos requieren de tiempos de cocción más largos.</li><li>■ <b>Tensión:</b> Solicite que un electricista calificado compruebe el sistema eléctrico de su casa.</li></ul>
<b>Olor procedente del horno microondas durante la cocción y asado por convección</b>	<ul style="list-style-type: none"><li>■ Esto es normal durante los primeros ciclos de convección y/o asado. El olor desaparecerá con el uso repetido.</li></ul>

## Si experimenta lo siguiente

## Soluciones recomendadas

### Interferencia de radio, TV o teléfono inalámbrico

#### Revise lo siguiente:

- **Proximidad:** Aleje su receptor del horno microondas o ajuste la antena de radio o televisión. Si el horno microondas está enchufado en el mismo tomacorriente, pruebe otro tomacorriente para el dispositivo electrónico.
- **Suciedad:** Asegúrese de la puerta del horno microondas y las superficies de sellado estén limpias.
- **Frecuencia:** Algunos teléfonos inalámbricos de 2,4 GHz y algunas redes inalámbricas del hogar pueden sufrir estática o ruidos mientras el horno microondas está encendido. Use un teléfono con cable o un teléfono inalámbrico de frecuencia diferente, o evite usar esos dispositivos mientras el horno está en funcionamiento.

# ASISTENCIA O SERVICIO TÉCNICO

## Si necesita servicio:

Para obtener información sobre la garantía, visite [www.kitchenaid.com/service-and-support](http://www.kitchenaid.com/service-and-support).

## Si necesita piezas de repuesto:

Si necesita pedir piezas de repuesto, recomendamos que use únicamente piezas especificadas de fábrica. Las piezas especificadas de fábrica encajarán correctamente y funcionarán bien ya que están confeccionadas con la misma precisión empleada en la fabricación de todos los electrodomésticos KitchenAid® nuevos.

Para encontrar piezas especificadas de fábrica en su zona, llámenos o llame al centro de servicio técnico designado por KitchenAid® más cercano.

## En Estados Unidos.

Llame al Centro para la eXperiencia del cliente de KitchenAid sin costo alguno al: **1-800-422-1230** o visite nuestro sitio web en [www.kitchenaid.com](http://www.kitchenaid.com).

## Nuestros consultores ofrecen ayuda con:

- Programación de servicio. Los técnicos de servicio designados para electrodomésticos KitchenAid® están capacitados para cumplir con la garantía del producto y proveer servicio una vez que la garantía caduque en cualquier lugar de los Estados Unidos.
- Características y especificaciones de nuestra línea completa de electrodomésticos.
- Referencias a distribuidores locales de electrodomésticos KitchenAid®.
- Información sobre la instalación.
- Procedimientos de uso y mantenimiento.
- Venta de accesorios y repuestos.
- Asistencia al cliente especializada (idioma español, deficiencias de audición, visión limitada, etc.).

## Para obtener más asistencia:

Si necesita asistencia adicional, puede escribir a KitchenAid con sus preguntas o dudas a:

KitchenAid Brand Home Appliances  
Customer eXperience Center  
553 Benson Road  
Benton Harbor, MI 49022-2692

Incluya en su correspondencia un número de teléfono en el que se le pueda localizar durante el día.

## En Canadá

Llame al Centro para la eXperiencia del cliente de KitchenAid sin costo alguno al:

**1-800-807-6777** o visite nuestro sitio web en [www.kitchenaid.ca](http://www.kitchenaid.ca).

## Nuestros consultores ofrecen ayuda con:

- Programación de servicio. Los técnicos de servicio designados para electrodomésticos KitchenAid® están capacitados para cumplir con la garantía del producto y proveer servicio una vez que la garantía caduque en cualquier lugar de Canadá.
- Características y especificaciones de nuestra línea completa de electrodomésticos.
- Referencias a distribuidores locales de electrodomésticos KitchenAid®.
- Información sobre la instalación.
- Procedimientos de uso y mantenimiento.
- Venta de accesorios y repuestos.

## Para obtener más asistencia:

Si necesita asistencia adicional, puede escribir a KitchenAid con sus preguntas o dudas a:

KitchenAid Brand Home Appliances  
Customer eXperience Centre  
220-6750 Century Ave.  
Mississauga, Ontario L5N 0B7

Incluya en su correspondencia un número de teléfono en el que se le pueda localizar durante el día.

## Piezas de repuesto

Bandeja giratoria de vidrio  
Pieza número W11664477

Soporte y rodillos de la bandeja giratoria  
Pieza número W11664478

Eje de bandeja giratoria  
Pieza número  
W11664468

## Juegos para empotrar

Este horno microondas para mostrador se puede empotrar usando uno de los siguientes juegos de adorno\*. Estos juegos se pueden adquirir con el distribuidor o se pueden pedir por el número de modelo del juego. Consulte la sección "Asistencia o servicio técnico" para obtener el número gratuito.

Tamaño del juego	Números de modelo del juego/Color
27" (68,6 cm)	MTK2227PZ/Inoxidable
	MTK2227PV /Acero inoxidable negro
	MTK2227PB/Negro
30" (76,2 cm)	MTK2230PZ/Inoxidable
	MTK2230PV/Acero inoxidable negro
	MTK2230PB/Negro

\*Los juegos de adorno para empotrar pueden instalarse sobre cualquier horno (eléctrico o a gas) empotrado en la pared de hasta 30" (76,2 cm).

