

ASSEMBLY INSTRUCTIONS
COASTER FINE FURNITURE



Fine Furniture for every stage of life

ITEM:931143



ASSEMBLY INSTRUCTIONS

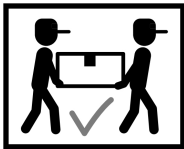
ASSEMBLY TIPS:

1. Remove hardware from box and sort by size.
2. Please check to see that all hardware and parts are present prior to start of assembly.
3. Please follow attached instructions in the same sequence as numbered to assure fast & easy assembly.



WARNING!


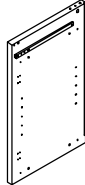
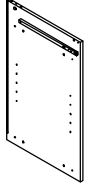

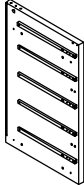

1. Don't attempt to repair or modify parts that are broken or defective. Please contact the store immediately.
2. This product is for home use only and not intended for commercial establishments.



ASSEMBLY TIME 99 MINUTES

PARTS IDENTIFICATION

B2: VANITY BASE & GLASS

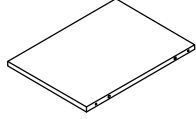
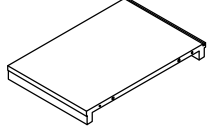
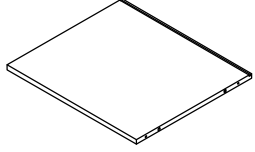
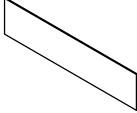
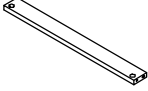


A	TOP PANEL		1PC
B	LEFT CABINET LEFT PANEL		1PC
C	LEFT CABINET RIGHT PANEL		1PC
D	RIGHT CABINET LEFT PANEL		1PC
E	RIGHT CABINET RIGHT PANEL		1PC
F	BACK PANEL		2PCS

ITEM:931143

ASSEMBLY INSTRUCTIONS

PARTS IDENTIFICATION



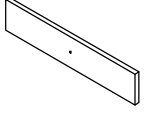
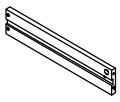
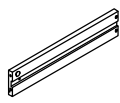
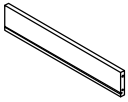
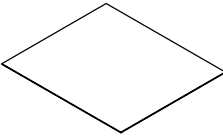
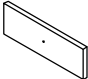
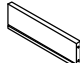
G	SUPPORT PANEL		2PCS
H	BOTTOM PANEL		2PCS
I	MIDDLE BOTTOM PANEL		1PC
J	MIDDLE BACK PANEL		1PC
K	LONG TOP SUPPORT PANEL		1PC
L	SHORT TOP SUPPORT PANEL		2PCS
M	DOOR PANEL		1PC

ITEM:931143

ASSEMBLY INSTRUCTIONS

PARTS IDENTIFICATION



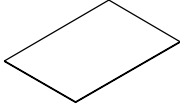
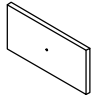
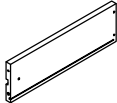
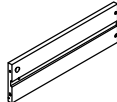
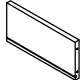
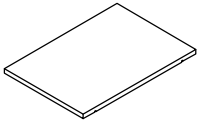

N	LARGE DRAWER FRONT PANEL		1PC
O	LARGE AND SMALL DRAWER LEFT PANEL		3PCS
P	LARGE AND SMALL DRAWER RIGHT PANEL		3PCS
Q	LARGE DRAWER BACK PANEL		1PC
R	LARGE DRAWER BOTTOM PANEL		1PC
S	SMALL DRAWER FRONT PANEL		2PCS
T	SMALL DRAWER BACK PANEL		2PCS

ITEM:931143



ASSEMBLY INSTRUCTIONS

PARTS IDENTIFICATION

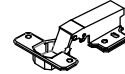
U	MEDIUM AND SMALL DRAWER BOTTOM PANEL		6PCS
V	MEDIUM DRAWER FRONT PANEL		4PCS
A1	MEDIUM DRAWER LEFT PANEL		4PCS
A2	MEDIUM DRAWER RIGHT PANEL		4PCS
A3	MEDIUM DRAWER BACK PANEL		4PCS
A4	SHELF PANEL		1PC
A5	RIGHT CABINET SUPPORT PANEL		2PCS

ITEM:931143 ASSEMBLY INSTRUCTIONS

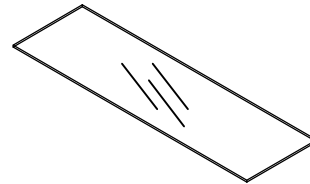


PARTS IDENTIFICATION

A6 HINGE 2PCS



A7 GLASS 1PC



A8 HANDLE BASE 8PCS

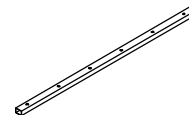


A9 HANDLE 8PCS

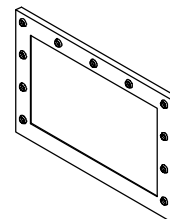


B1: VANITY TOP

A10 CROSSBAR 2PCS



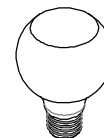
A11 MAKE-UP MIRROR 1PC



B3: 11PCS WHITE LIGHT BULB

A12 LIGHT BULB 11PCS

*LIGHT BULB 120V E26/MAX 25 WATT.(Per Light Bulb) *



ITEM:931143

ASSEMBLY INSTRUCTIONS



HARDWARE IDENTIFICATION

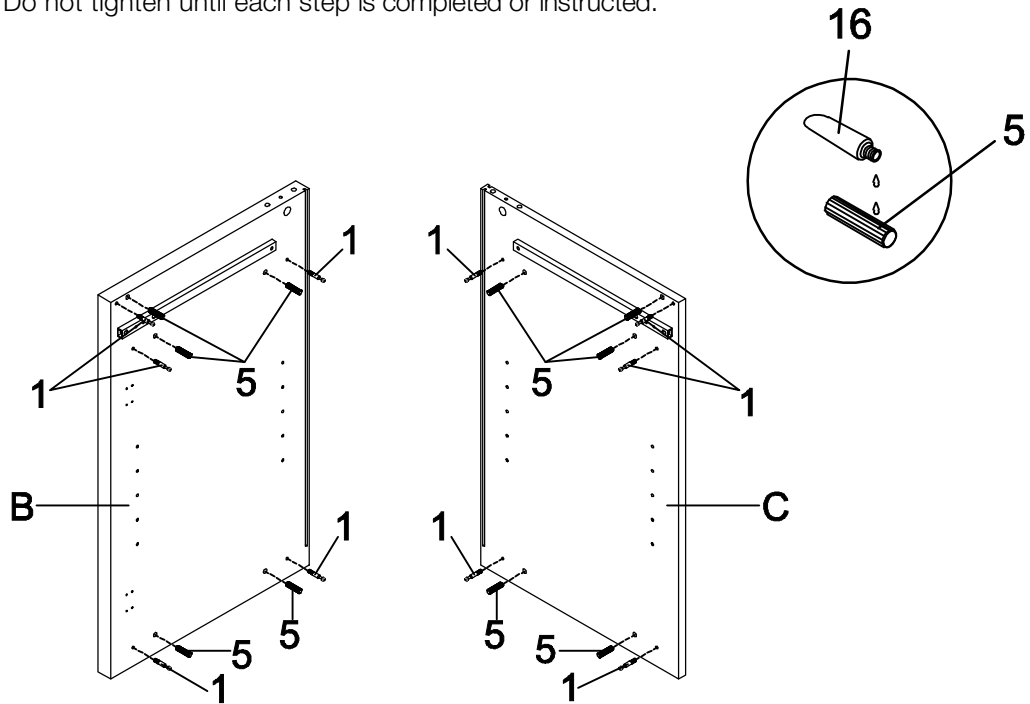
1	LARGE CAM BOLT (38MM)		40PCS	11	SHELF BOLT		4PCS
2	SMALL CAM BOLT		4PCS	12	CAP (20 x 30mm)		4PCS
3	LARGE CAM-LOCK (ϕ 15MM)		30PCS	13	SUCTION CUP		8PCS
4	SMALL CAM-LOCK (ϕ 12mm)		14PCS	14	LONG BOLT (1/4" x 35mm SR)		12PCS
5	WOOD DOWEL (8 x 30mm)		42PCS	15	FOOT PIN		8PCS
6	WOOD DOWEL (6 x 25mm)		14PCS	16	GLUE		1PC
7	LONG SCREW (8 x 38mm)		28PCS	17	ALLEN WRENCH (4mm)		1PC
8	SHORT SCREW (3.5 x 12mm)		12PCS				
9	SMALL BOLT (5/32" x10mm)		14PCS				
10	LONG BOLT (5/32" x25mm)		8PCS				

Hardware pack is located in 931143B2

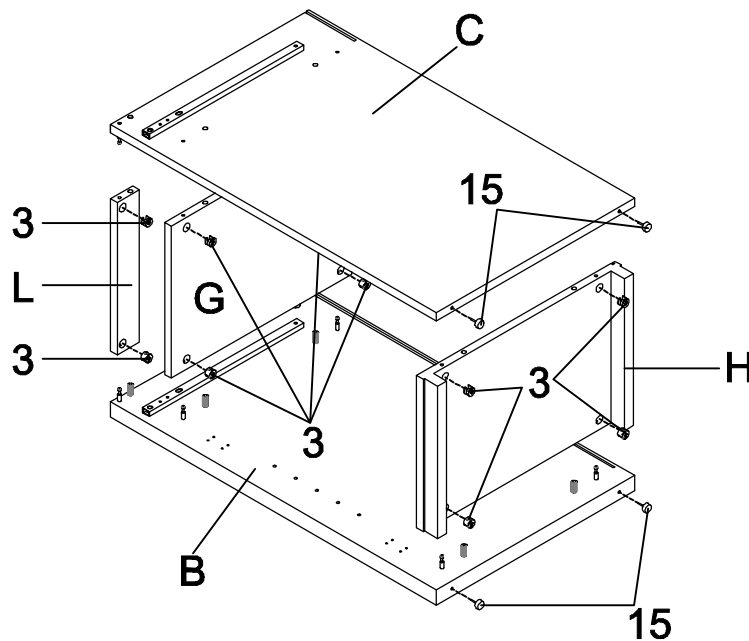
ITEM:931143 ASSEMBLY INSTRUCTIONS



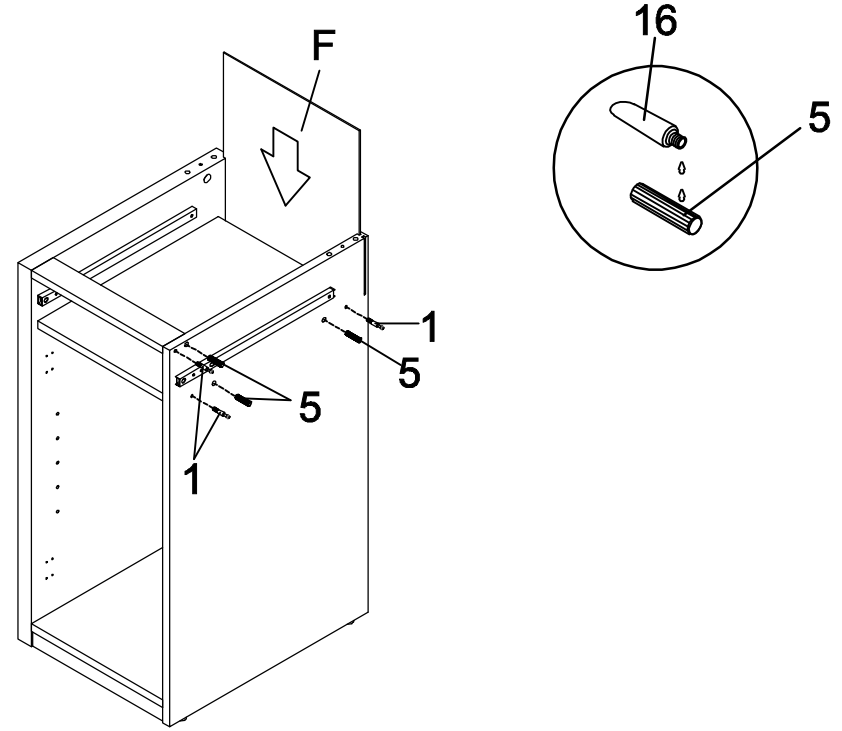
STEP 1 Do not tighten until each step is completed or instructed.



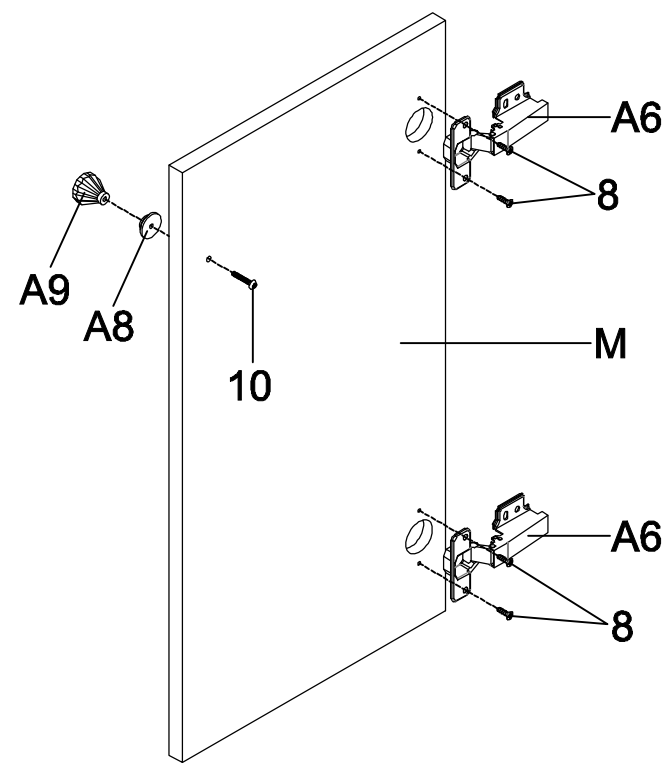
STEP 2



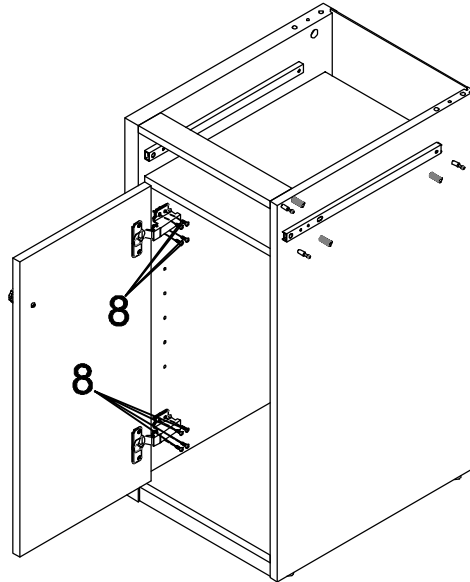
ITEM:931143
ASSEMBLY INSTRUCTIONS
STEP 3



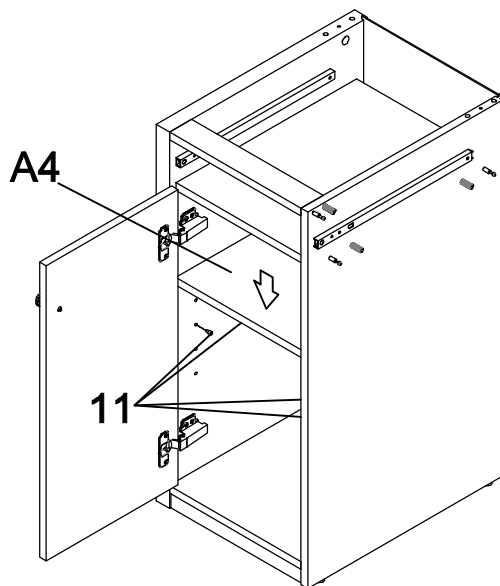
STEP 4



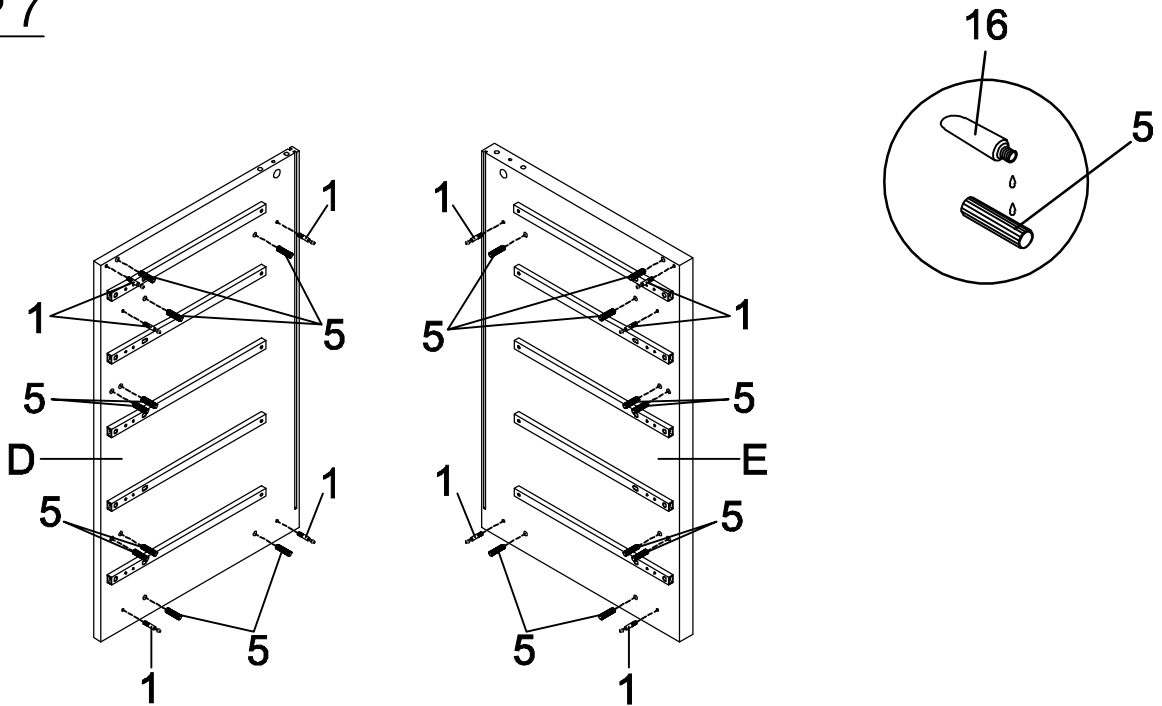
ITEM:931143
ASSEMBLY INSTRUCTIONS
STEP 5



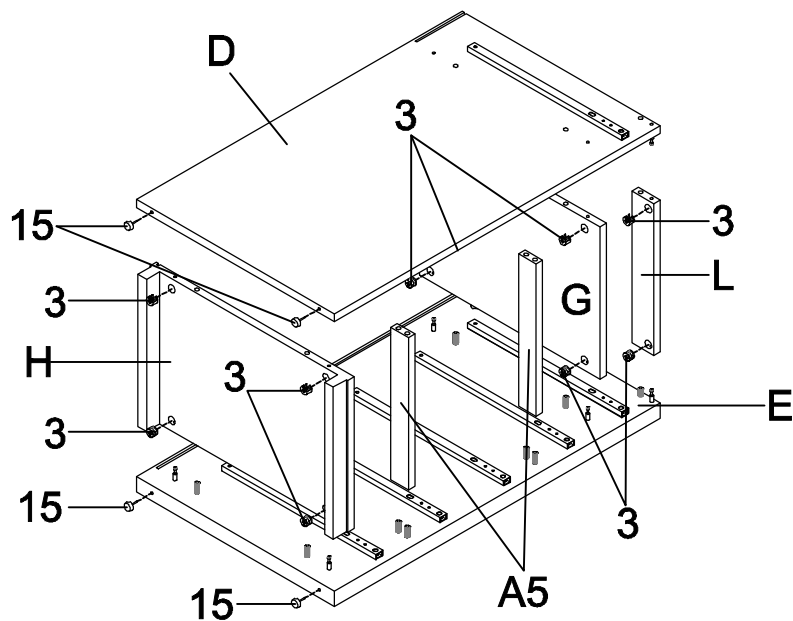
STEP 6



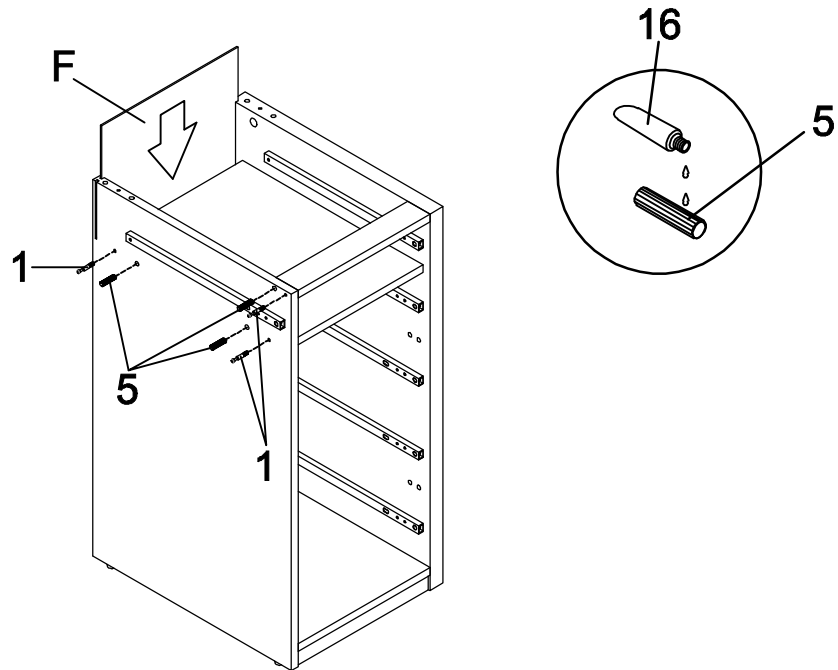
ITEM:931143
ASSEMBLY INSTRUCTIONS
STEP 7



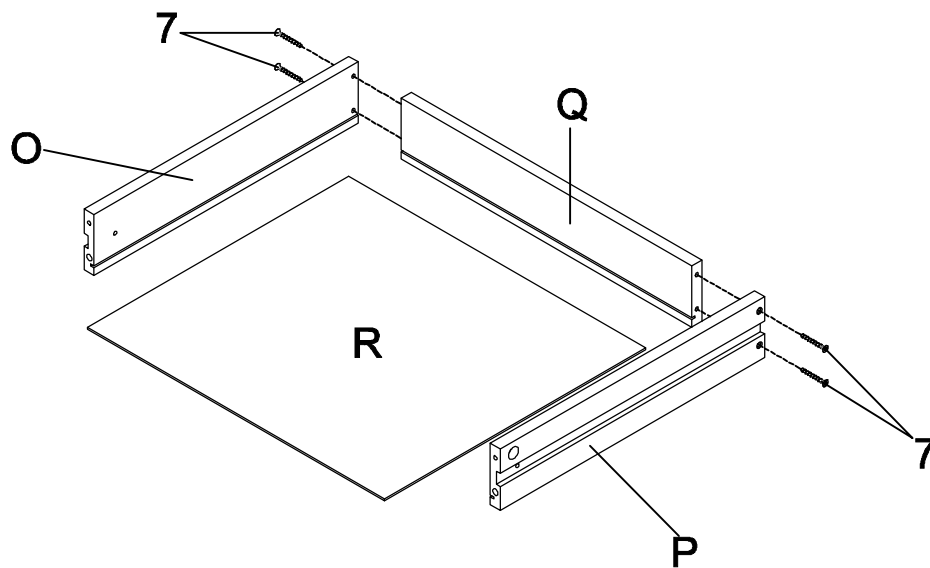
STEP 8



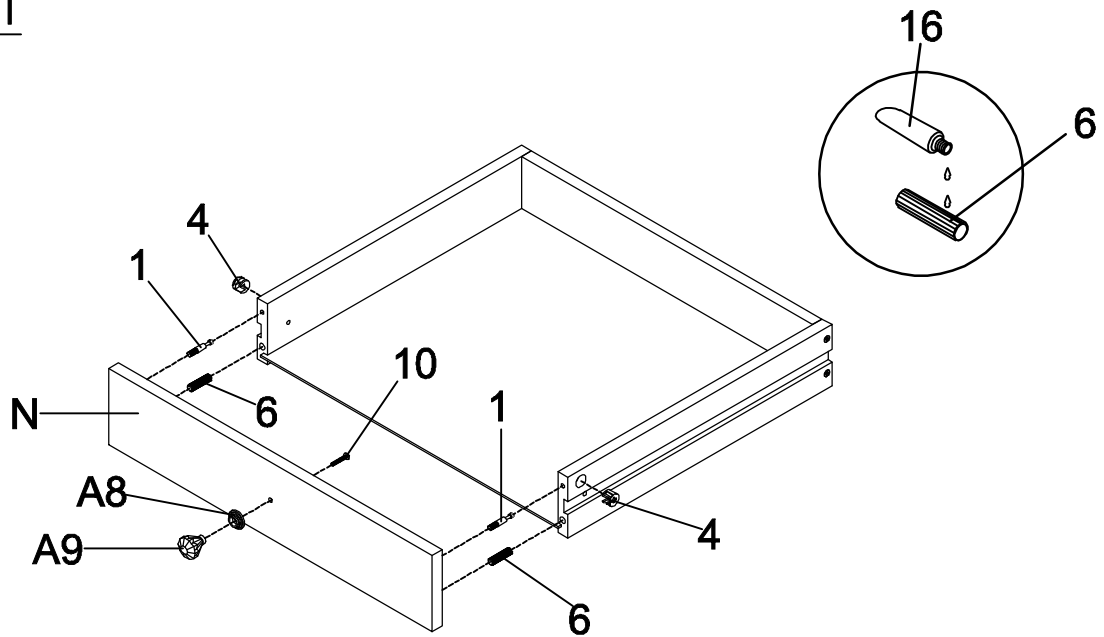
ITEM:931143
ASSEMBLY INSTRUCTIONS
STEP 9



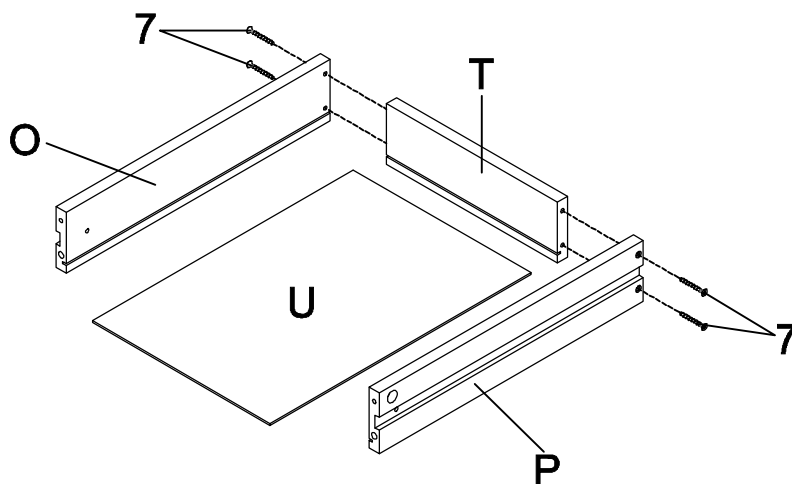
STEP 10



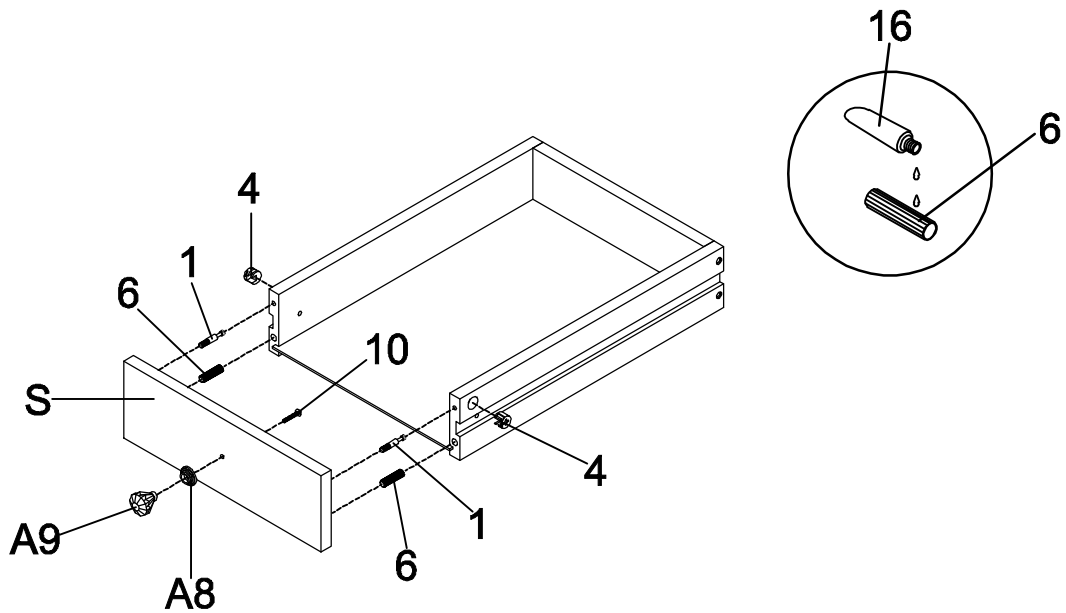
ITEM:931143
ASSEMBLY INSTRUCTIONS
STEP 11



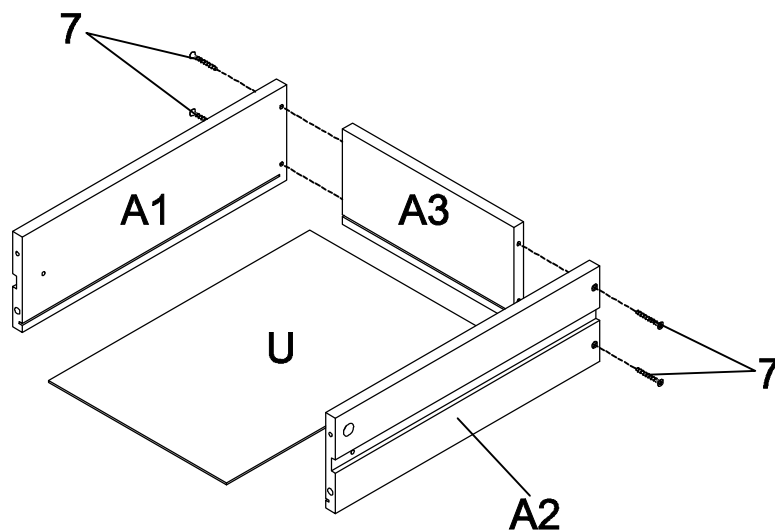
STEP 12



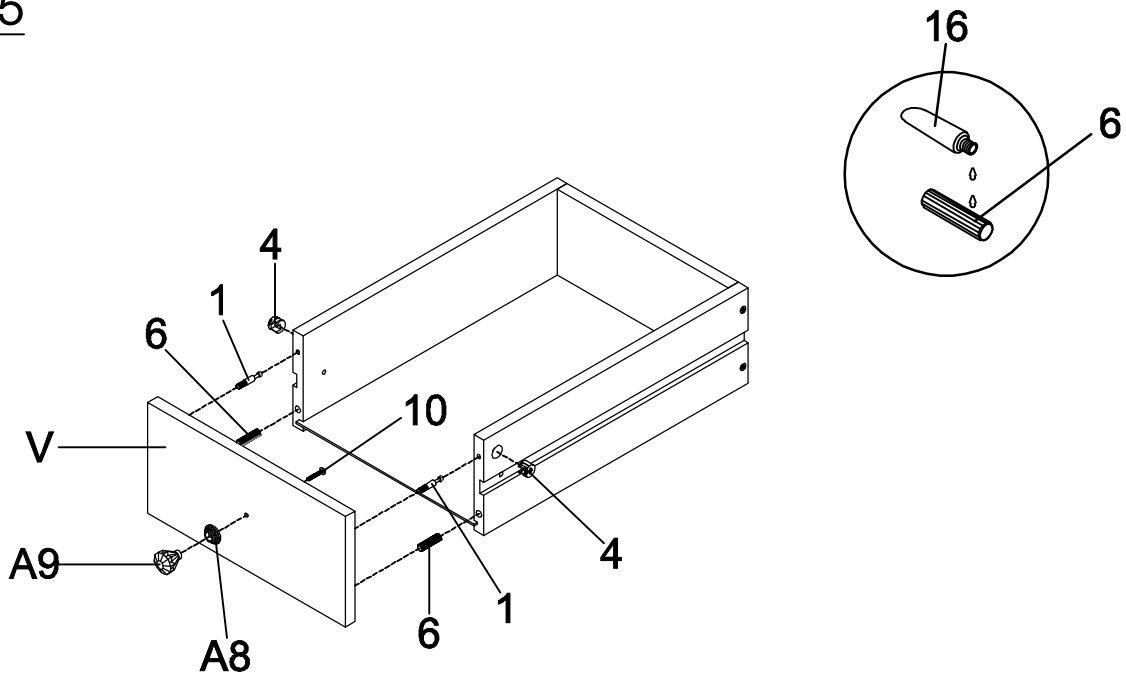
ITEM:931143
ASSEMBLY INSTRUCTIONS
STEP 13



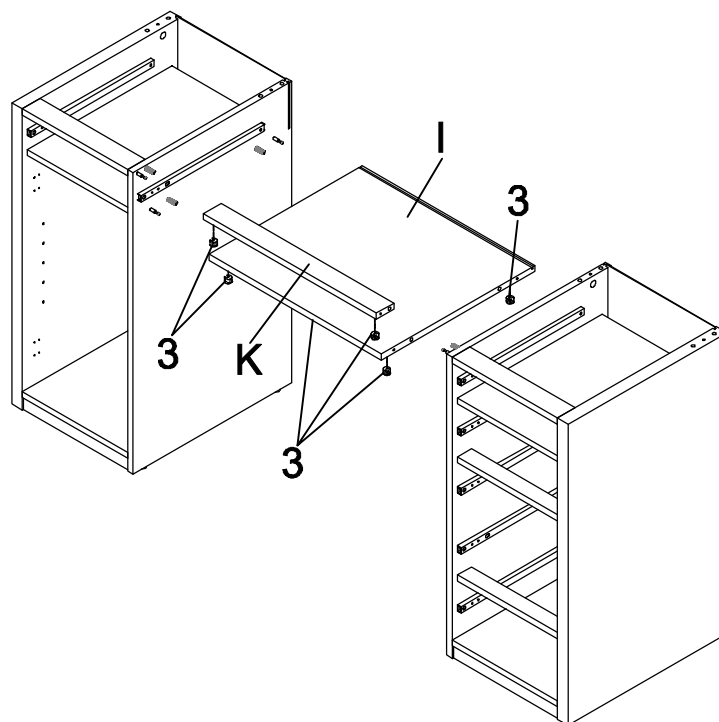
STEP 14



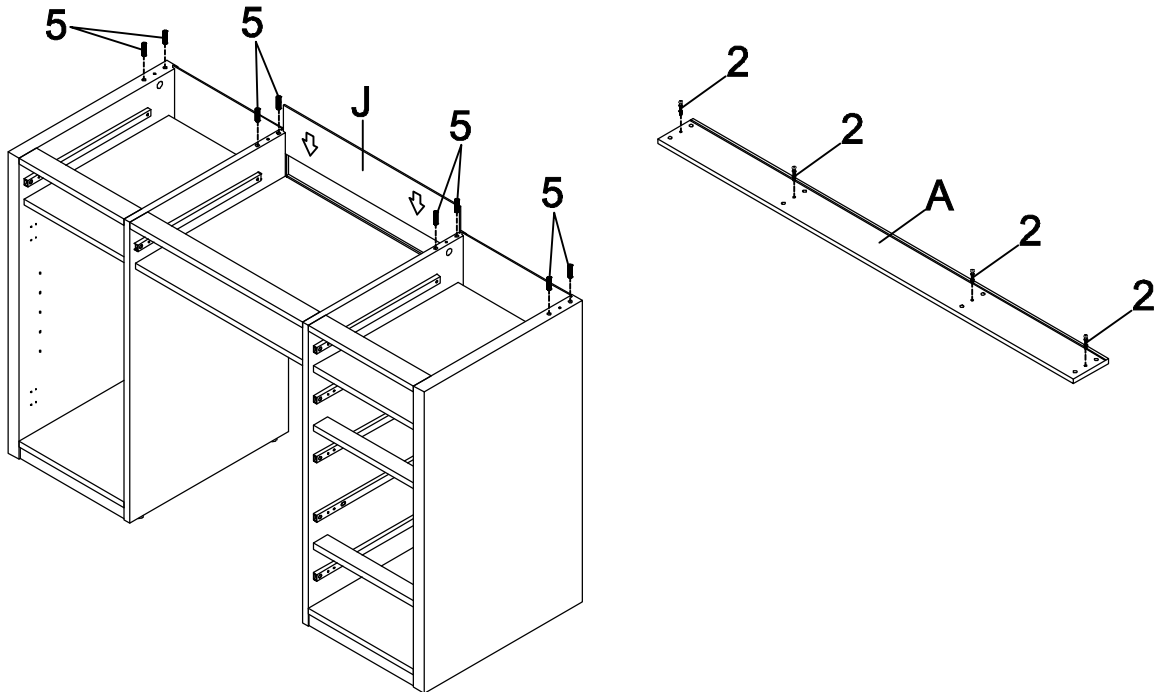
ITEM:931143
ASSEMBLY INSTRUCTIONS
STEP 15



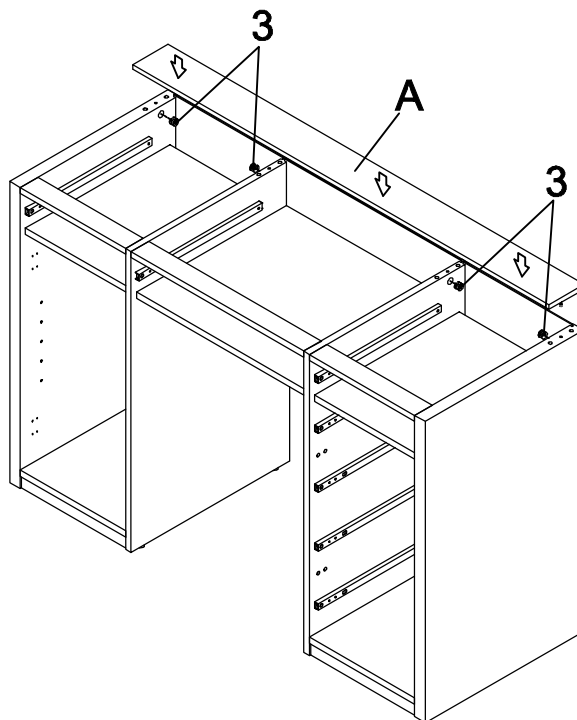
STEP 16



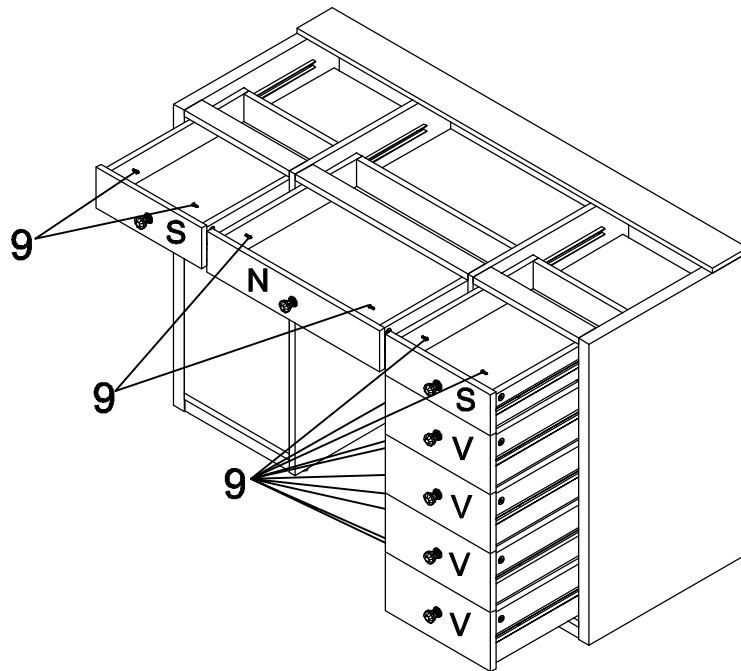
ITEM:931143
ASSEMBLY INSTRUCTIONS
STEP 17



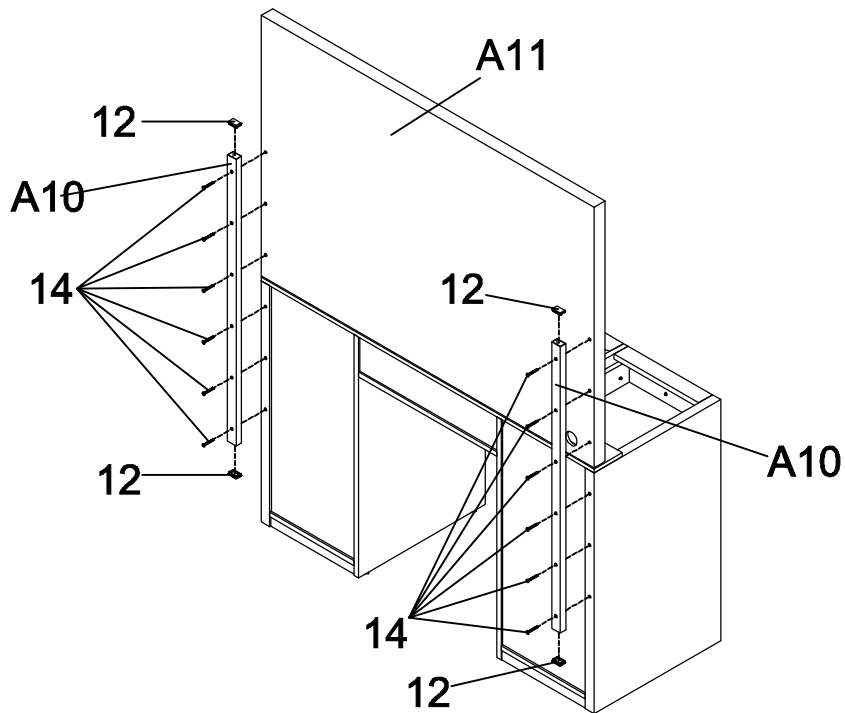
STEP 18



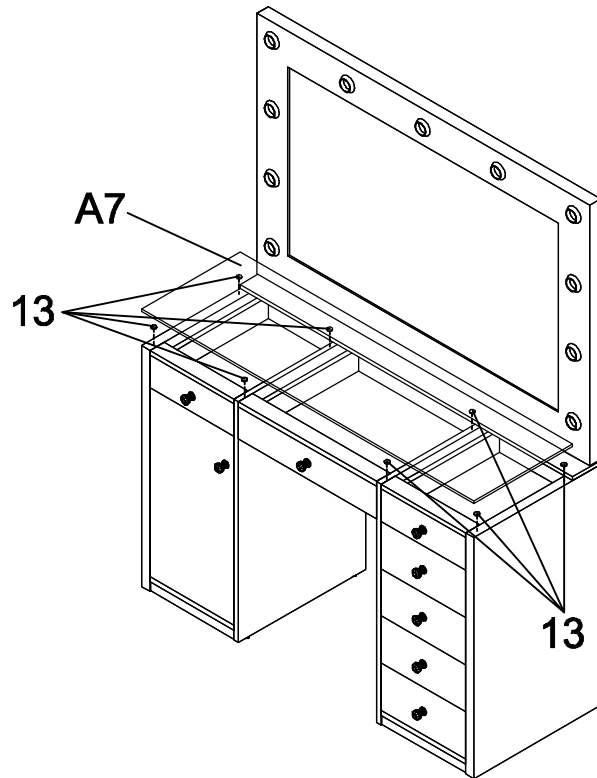
ITEM:931143
ASSEMBLY INSTRUCTIONS
STEP 19



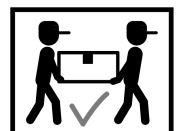
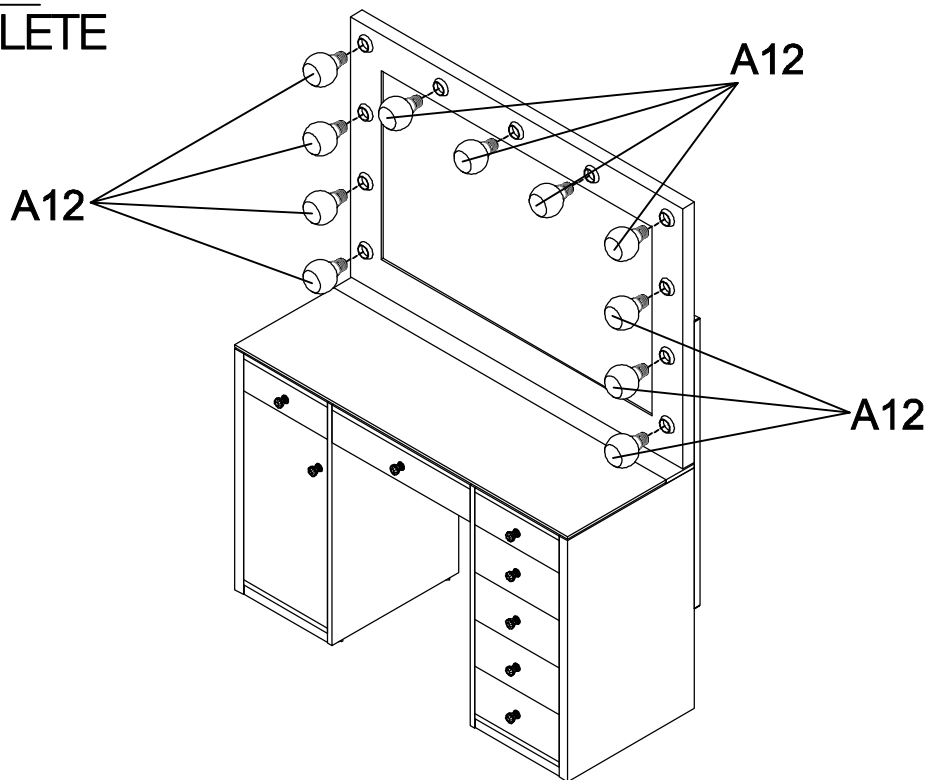
STEP 20



ITEM:931143
ASSEMBLY INSTRUCTIONS
STEP 21



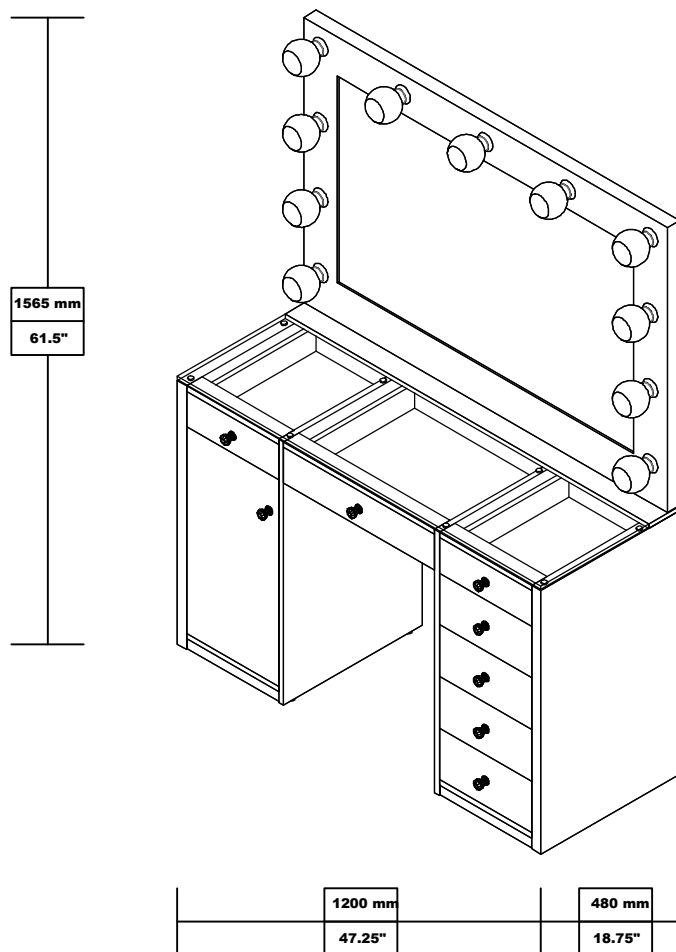
STEP 22
COMPLETE



ITEM:931143 ASSEMBLY INSTRUCTIONS



Product Size : 1200 X 480 X 1565 H (MM)
Product Size : 47.25" X 18.75" X 61.5"



Note : Dimension tolerance $\pm 5\%$