

SOFIA PROFESSIONAL 30"

30" DUAL FUEL PROFESSIONAL RANGE



CODE ID



F6PDF304S1



Heavy Duty Grates



Continuous Grate Surface



Dual Crescendo Burner



Dual Convection



Soft Closing Door



Self Clean Oven



Multi-level cooking



1 Telescopic Rack



Cool Touch Door



Digital Controls



Meat Probe



Fast Pre-Heat

COLOR KIT

	STAINLESS STEEL
	MATTE BLACK RAL 9004
	GLOSSY BLACK RAL 9004
	GLOSSY RED RAL 3003
	GLOSSY WHITE RAL 9016
	MATTE WHITE RAL 9016
	MATTE GREY RAL 9007

OPTIONAL ACCESSORIES

PDRKIT30 ...	Colour kit
FMWOK	Wok ring
FMSIM	Simmer plate
F6BG30BCI	Island trim
F6BG30STD	Standard trim
F6BG30HBT	High back trim
FMGRID30	Griddle
FMTRP30	Telescopic rack

COOKING SURFACE

2 Heavy Duty, continuous cast iron grates
One piece, matte finish porcelain burner bowl
4 Dual-Flame Crescendo Burners
1 X 20,000 BTU max (NG)
3 X 18,000 BTU max (NG)
Natural Gas (LP convertible)

OVEN

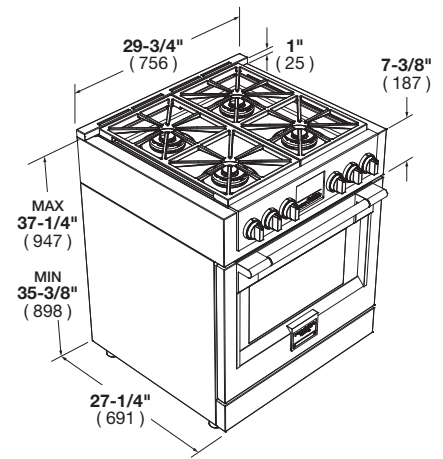
Dual True Convection
Self-cleaning oven with Multifunction baking
Black Porcelain enamel interior
Cool to touch, soft closing door
Extra-large baking cavity and viewing area
3 Halogen lights for flawless visibility
Gross capacity 4.4 cu. ft.
2 chromed racks
1 telescopic rack
Enameled Broiler Pan

OVEN FUNCTIONS

Bake
Broil
Roast
Convection
True Convection
Warm / Proof / Dehydrate
Electronic cooking programmer
Fast Pre-Heat
Self-Clean
Sabbath Mode

SOFIA

30" DUAL FUEL PROFESSIONAL RANGE



CODE ID	F6PDF304S1 - 30" DUAL FUEL PROFESSIONAL RANGE		
Series and Finish	600 Series - Professional Design - Stainless Steel		
CONTROL PANEL			
Control Type	6 Heavy Duty Knobs		
Oven Programming	Electronic with 6 Touch Keys		
Display: Clock - Temperature - Function	White LED		
Language	English / French / Spanish		
COOKTOP			
Type	GAS (NG or LP)		
Cooking Surface	Matte Black Enamel		
GAS COOKTOP FEATURES			
	Electric Re-ignition system	Top Mount Injectors	Dual Crown Brass Burner
	Flame-out sensing	L.P. Conversion Kit	
Heavy Duty Cast Iron Grates	2		
Cooking Zones	4		
Burners types	All Dual Flame/Simmer Burner		
Power Front-L,Front-R (Max/Min) NG	-		
Power Front-R (Max/Min) NG	20000 (BTU/h) - 5900W / 750 (BTU/h) - 220W		
Power (Max/Min) NG	18000 (BTU/h) - 5300W / 750 (BTU/h) - 220W		
Power (Max/Min) LP	15000 (BTU/h) - 4400W / 750 (BTU/h) - 220W		
OVEN			
Type	Electric Self-clean - Dual Convection (True Euro Conv.)		
Temperature Regulation	Electronic Control (min/max 170/550°F - 75/290°C)		
OVEN FUNCTIONS			
	Pyrolytic Self-Clean	Pizza (Lower Convection)	Proof (Warm)
	True Convection	Bake	Keep warm (Warm Plus)
	Convection Broil	Dehydrate	Oven Lights
	Convection Roast	Thaw (Defrost)	Broil
ELECTRIC OVEN FEATURES			
	Preset/Last Used Temperature Memory	Preheat Indicator (25%, 50%, 75%, 100%)	Control Display Lock
	Child Door Lock	Sabbath Mode	12/24 Hour Clock Formats
	Fast Preheat	Meat Probe	Temperature Display °C/°F
OVEN DOOR(S)			
Oven Glass Window	Deep Embossed Extra Wide Window		
Door Cooling System	4 Heat Resistant Glasses		
Door Hinges - Soft-closing System	Heavy Duty Steady Tilt		
Handle Style	Stainless Steel Tube with Metal End caps		
OVEN CAVITY			
Gross Capacity (cbft)	4.4		
Usable Capacity (cbft)	4.1		
Cavity Enamel Colour	Black		
Rack Positions	6		
Oven Lights	3x20W Halogen		
HEATING ELEMENTS (@240V)			
Broil Upper Heating Element	3500 W		
Upper Auxiliary Element	1032 W		
Concealed Bake Lower Heating Element	3000 W		
Convection Element	2 x 1300 W		
OVEN ACCESSORIES			
Chromed Racks	2		
Enameled Broiler Pan (basin + anti splash)	1		
Telescopic Chromed Rack	1		
DIMENSIONS/WEIGHT			
Overall dim - Width	29 - 3/4"		(758 mm)
Overall dim - Height (min - max)	36 3/8", 38 1/4"		(923 mm) - (972 mm)
Overall dim - Depth	29 - 3/4"		(756 mm)
Gross Weight	326 lbs		(148 kg)
POWER / RATINGS (208/240 V, 60 HZ)			
kW / Amps rating at 120-240V, 60Hz	3.84 kW - 16.9A		
kW / Amps rating at 120-208V, 60Hz	3.54 kW - 17.5A		
Power Cable	Nema 14-50P		
INSTRUCTIONS FOR USE			
Use & Care Manual / Installation Manual	English / French / Spanish		