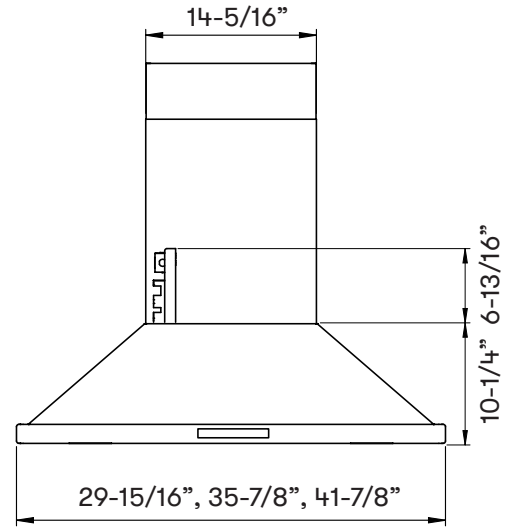


Min. - Max. CFM	INTERNAL BLOWER STANDARD	INTERNAL BLOWER with ACT™ AIRFLOW CONTROL TECHNOLOGY™*		
		200 - 700	200 - 590	200 - 390
Min. - Max. Sones	0.8 - 6	*AIRFLOW CONTROL TECHNOLOGY™ (ACT™) is an exclusive feature built into specific Zephyr hoods which can limit the maximum blower CFM to meet local code requirements.		

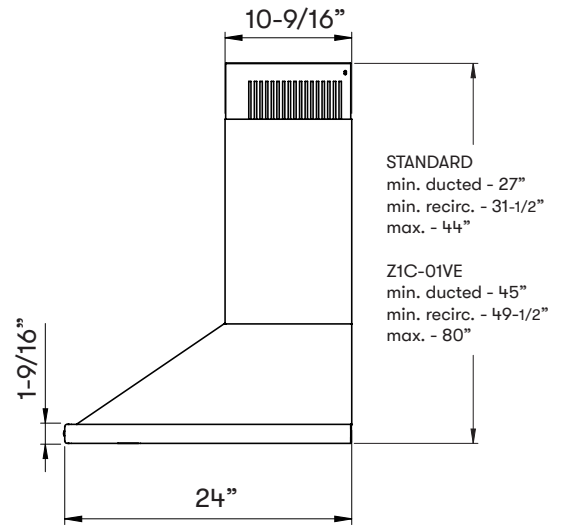


ACT™

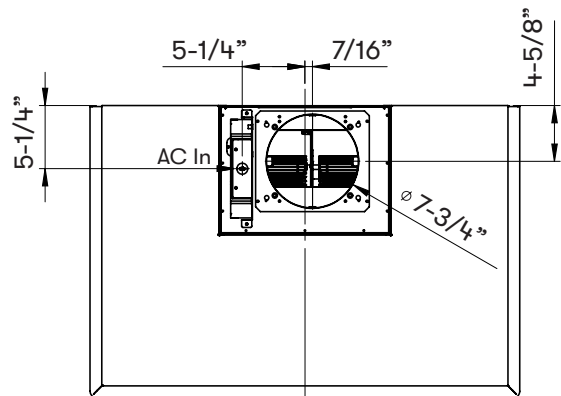
POWERWAVE™



FRONT



SIDE



C/L

TOP

MODEL									
Stainless Steel		ZVE-E30DS	ZVE-E36DS	ZVE-E42DS					
Size		30"	36"	42"					
BLOWER PERFORMANCE									
Blower CFM (Min. - Max.)		200 - 700	200 - 700	200 - 700					
Sones (Min. - Max.)		0.8 - 6	0.8 - 6	0.8 - 6					
ACT 590 CFM (Min. - Max.)		200 - 590	200 - 590	200 - 590					
ACT 390 CFM (Min. - Max.)		200 - 390	200 - 390	200 - 390					
ACT 290 CFM (Min. - Max.)		200 - 290	200 - 290	200 - 290					
FEATURES									
Zephyr Connect App Compatible		Yes	Yes	Yes					
Alexa & Google Home Compatible		Yes	Yes	Yes					
ACT™ Technology		590, 390, 290	590, 390, 290	590, 390, 290					
Controls		Proximity Touch	Proximity Touch	Proximity Touch					
Speed Levels		6*	6*	6*					
Auto Delay-Off		Yes	Yes	Yes					
CleanAir Function		Yes	Yes	Yes					
Lighting		LumiLight LED, 6W x2	LumiLight LED, 6W x2	LumiLight LED, 6W x2					
Tri-Level Lighting		Yes	Yes	Yes					
Filters		Baffle x2	Baffle x2	Baffle x2					
Recirculating Option		Yes	Yes	Yes					
Extension Duct Cover Option		Yes, Up to 12' Ceiling	Yes, Up to 12' Ceiling	Yes, Up to 12' Ceiling					
ADA Compliant		Yes, with Zephyr Connect or Remote	Yes, with Zephyr Connect or Remote	Yes, with Zephyr Connect or Remote					
DUCT SPECIFICATIONS									
Vertical Internal Blower		8" Round	8" Round	8" Round					
Horizontal Internal Blower		NA	NA	NA					
AC POWER		120V, 60Hz at Max. 5A	120V, 60Hz at Max. 5A	120V, 60Hz at Max. 5A					
OPTIONAL ACCESSORIES									
Wireless Remote Control		14000005	14000005	14000005					
Recirculating Kit		ZRC-03VE	ZRC-03VE	ZRC-03VE					
Extension Duct Cover		Z1C-01VE	Z1C-01VE	Z1C-01VE					
Make-Up Air Kit		MUA008A	MUA008A	MUA008A					
MOUNTING HEIGHT RANGE**		24" - 34"	24" - 34"	24" - 34"					
WARRANTY		3 years parts, 1 year labor	3 years parts, 1 year labor	3 years parts, 1 year labor					
CEILING HEIGHT		8'	8.5'	9'	9.5'	10'	10.5'	11'	12'
STANDARD DUCT COVER	Ducted Mounting Height*	24" - 33"	24" - 34"	28" - 34"	34" - 34"	NA	NA	NA	NA
	Recirc Mounting Height*	24" - 28.5"	24" - 34"	28" - 34"	34" - 34"	NA	NA	NA	NA
EXTENSION DUCT COVER	Ducted Mounting Height*	NA	NA	24" - 27"	24" - 33"	24" - 34"	24" - 34"	24" - 34"	28" - 34"
	Recirc Mounting Height*	NA	NA	NA	24" - 28.5"	24" - 34"	24" - 34"	24" - 34"	28" - 34"

*When ACT™ is enabled the maximum speed levels will change. ACT 590 CFM = 5 speeds, ACT 390 CFM = 4 speeds and ACT 290 CFM = 3 speeds.

**Mounting height refers to distance between top of a 36" tall cooking surface and bottom of hood.



Zephyr Connect App

Zephyr Connect App allows you to control your range hood from anywhere using your mobile device. It includes real time diagnostics and provides important product information. All you need is a WiFi connection with access to the internet. It seamlessly integrates with your smart devices such as Amazon Alexa or Google Home smart speaker for voice activation. Available to download from Google Play or the App Store.



Airflow Control Technology™ (ACT™)

is an exclusive feature built into specific Zephyr hoods which can limit the maximum blower CFM to meet local code requirements.

PowerWave™ 3-Phase Blower Technology

delivers best-in-class performance with unparalleled quiet operation. It provides more power while minimizing noise and improving efficiency.