



**Dream On Me Inc.**  
**1532 S Washington Ave**  
**Piscataway Township, NJ 08854**  
**732-752-7220**  
**Customer Care: +1 (732) 366-1788**

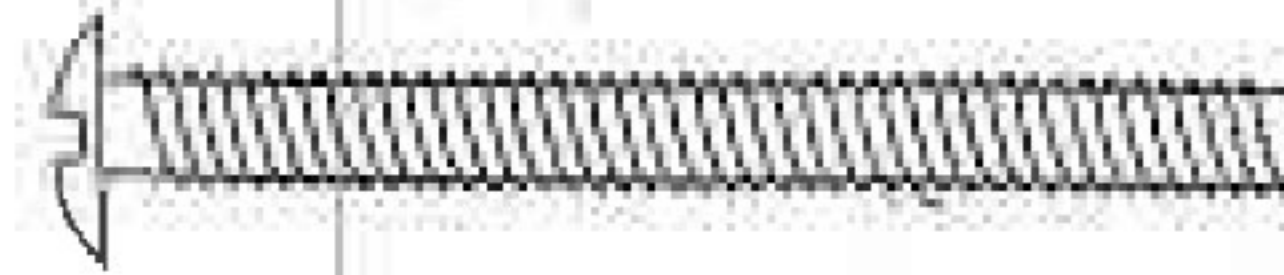
**WARNING:**

NEVER LEAVE CHILD UNATTENDED OR UNSTRAPPED WHEN USING THE DRESSING TABLE. CHECK SCREWS PERIODICALLY FOR TIGHTNESS.

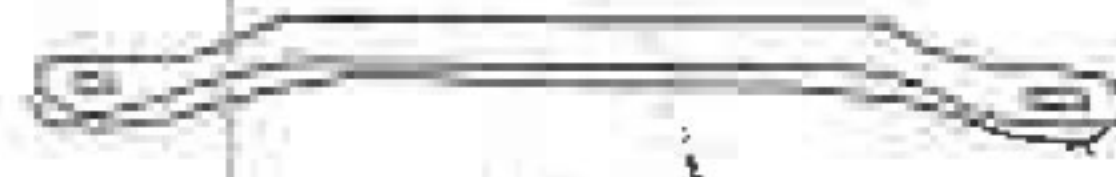
604

**HARDWARE LIST**

A. 3" Bolts & Lock...8PCS



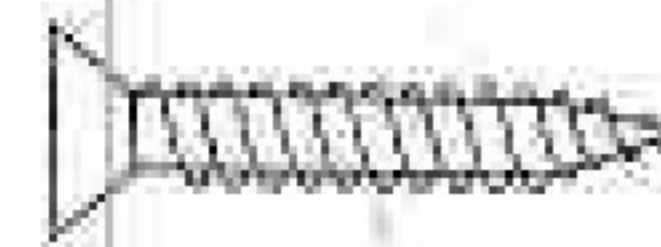
B. 3 Cross Brace ... 3PCS



C. 2 3/8" Bolts & Lock...8PCS

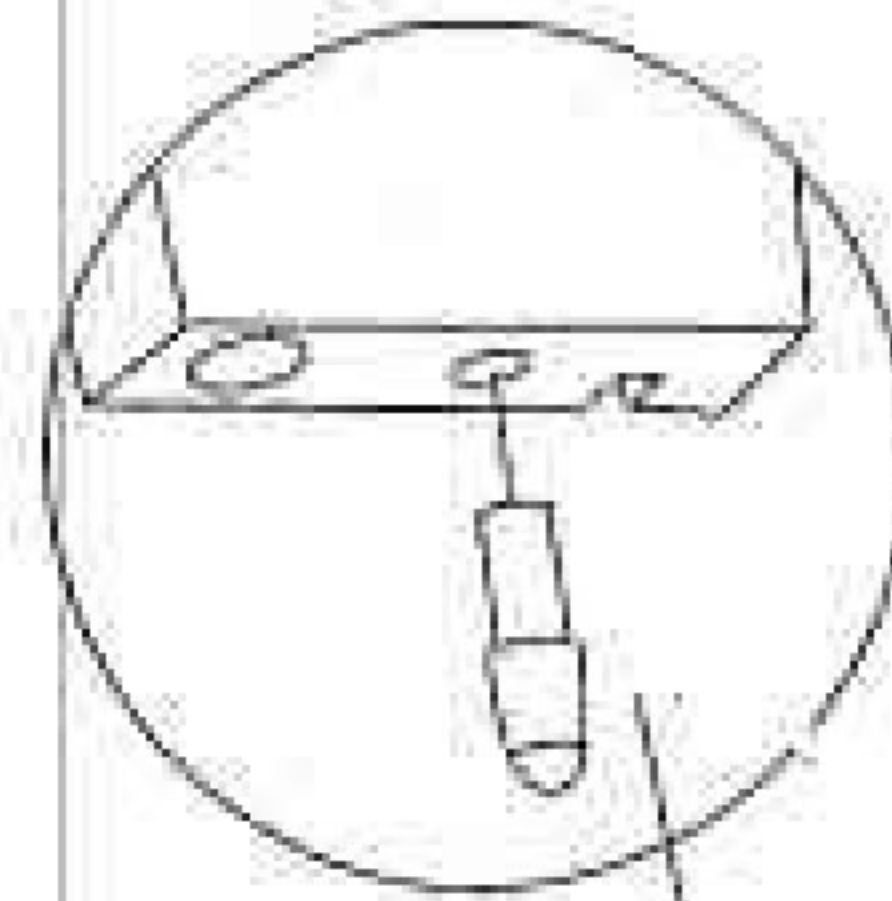


D. 3/4" Wood Screws...6PCS



E. BLACK STEP DOWEL...16PCS

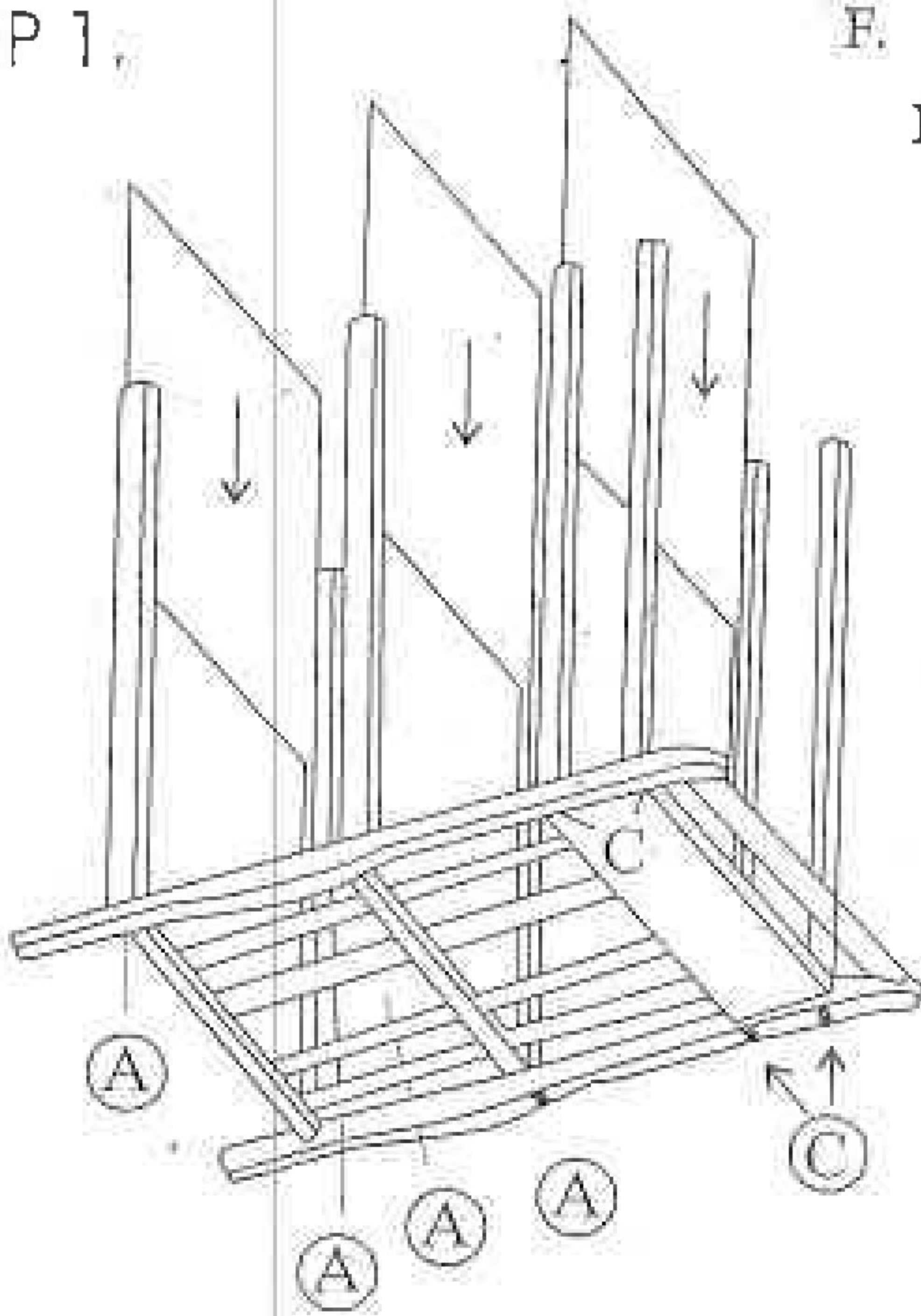
F. Barrel Nut  
16pcs



E



**STEP 1.**



**STEP 2.**



**ASSEMBLY PROCEDURE:**

Note: For easier to assemble don't fully tighten any bolts until the assembly is completed.

**\*\*\*ALWAYS USE THE LOCK WASHERS WITH ALL BOLTS AS SHOWN IN STEP1\*\*\***

1. Insert one black step dowel (E) into each cross beam. Assemble top rail use 2 3/8" bolts (C) and Barrel Nut (F). Attach the four (4) cross beams to one of the end frame, using the 3" bolts (A) and Barrel Nut (F).
2. Slide the shelf boards into the grooves on the cross beams & top rail. Make sure shelves will latch into the side rail groove. Attach the second end frame. **NOW YOU TIGHTEN ALL THE BOLTS.**
3. Attach the safety strap and the support bracket to the underside of the shelves using the 3/4" wood screws (D) & 2 washers (one type each).
4. Place pad on top shelf and secure safety strap.

**HELPFUL HINTS:**