

CHIMNEY HOOD

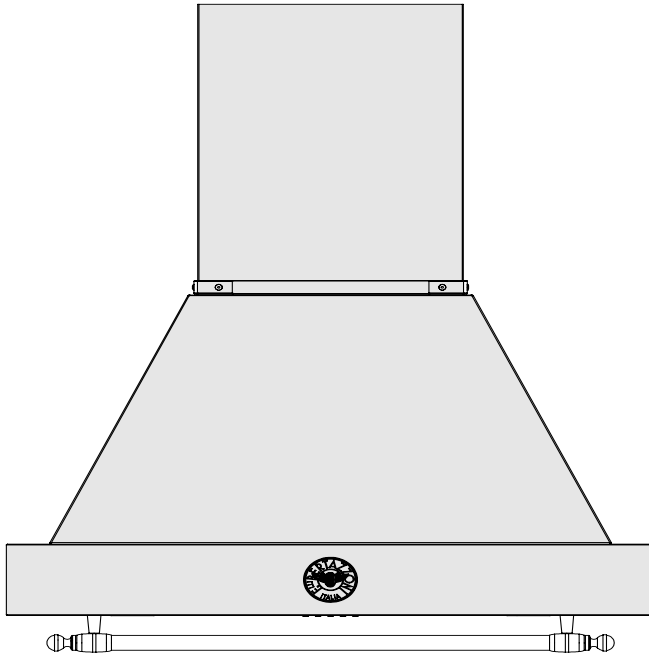
• Installations instructions

EN

HOTTE DE CUISINE

• Instructions pour le montage

FR



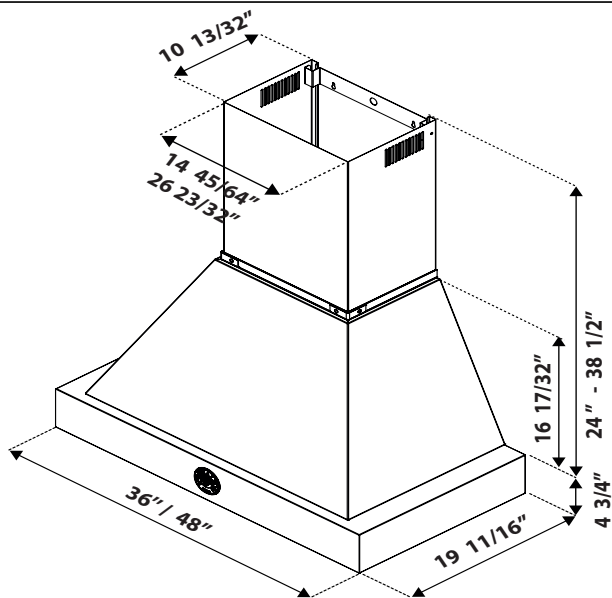


Fig.1

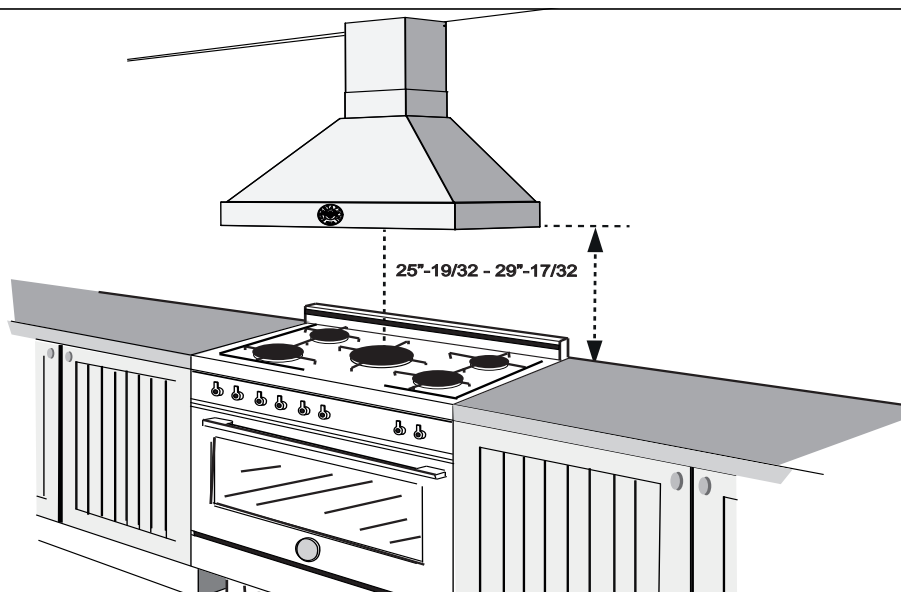


Fig.2

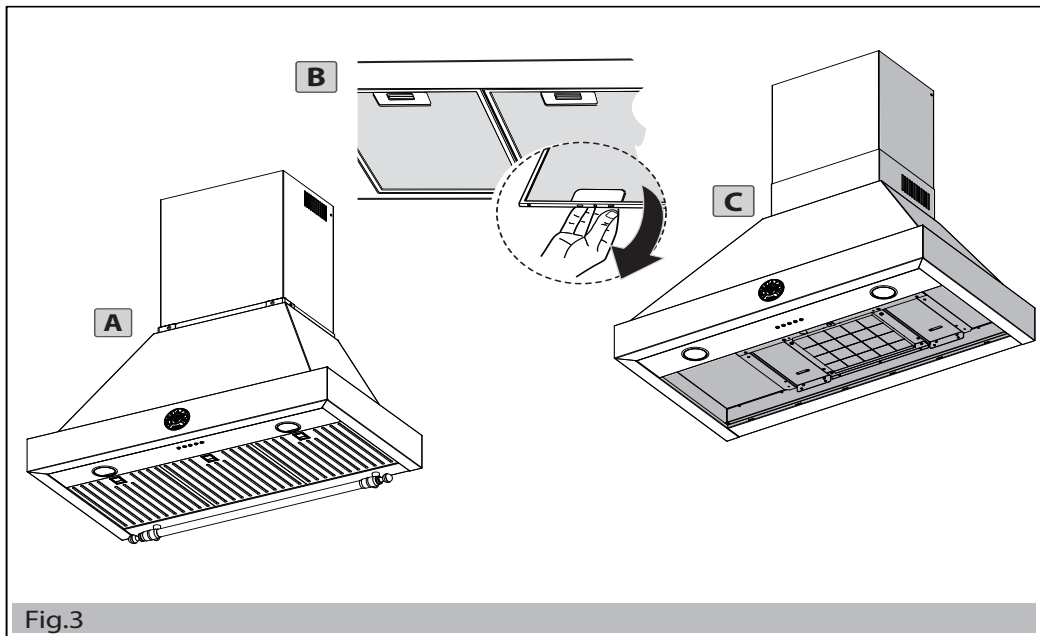
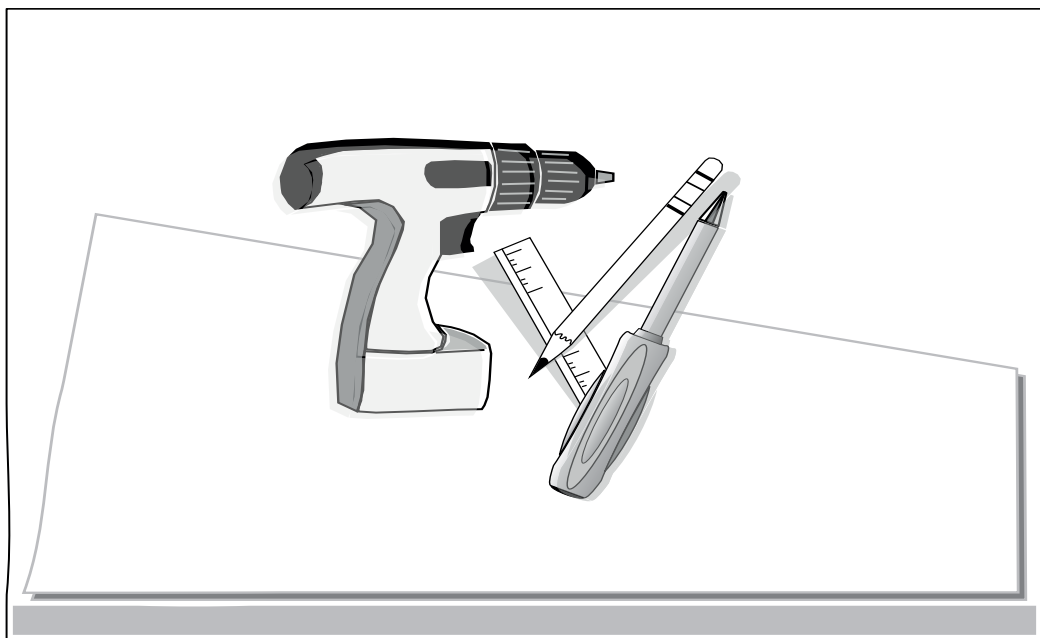


Fig.3



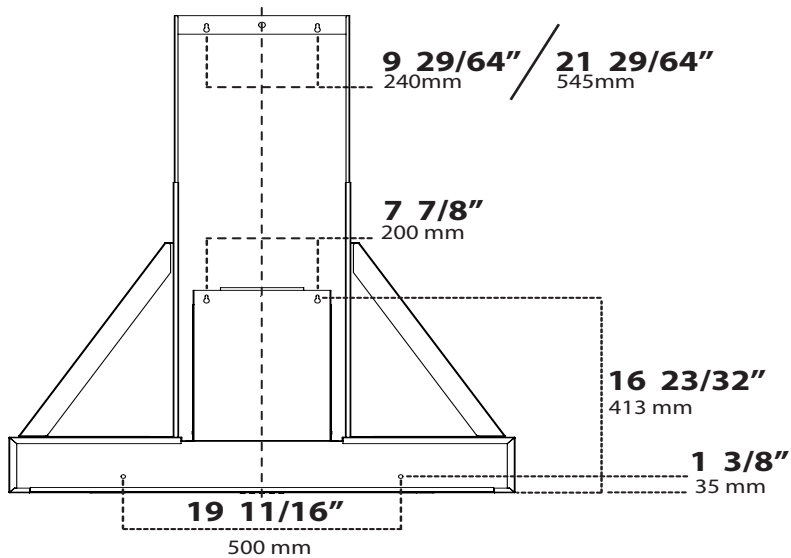


Fig.4

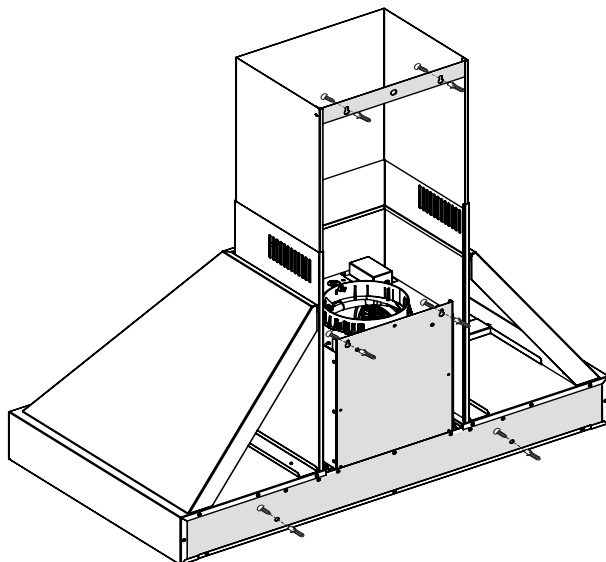
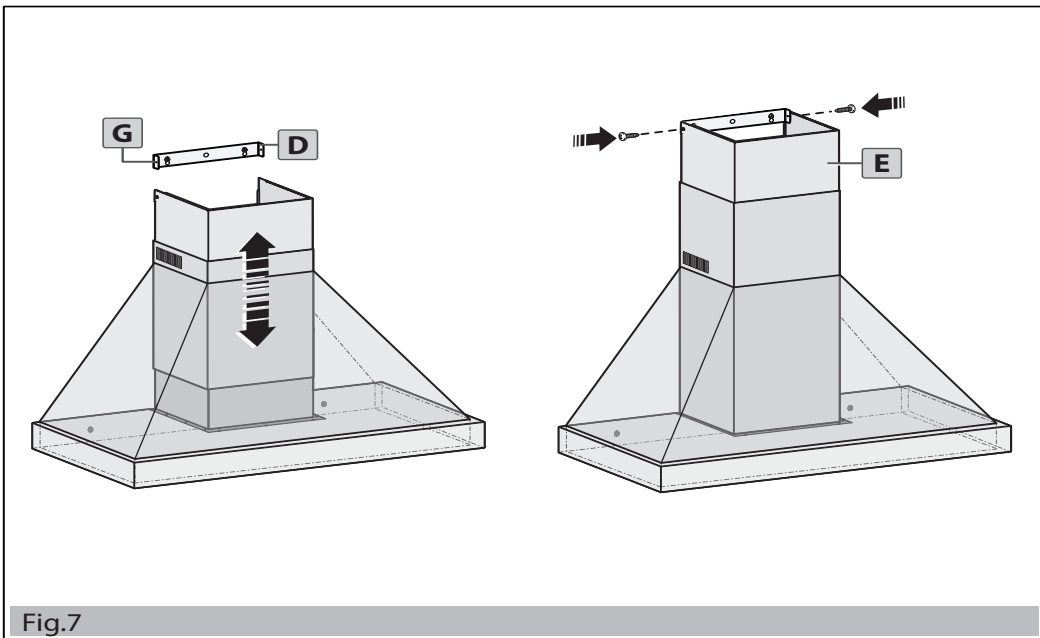
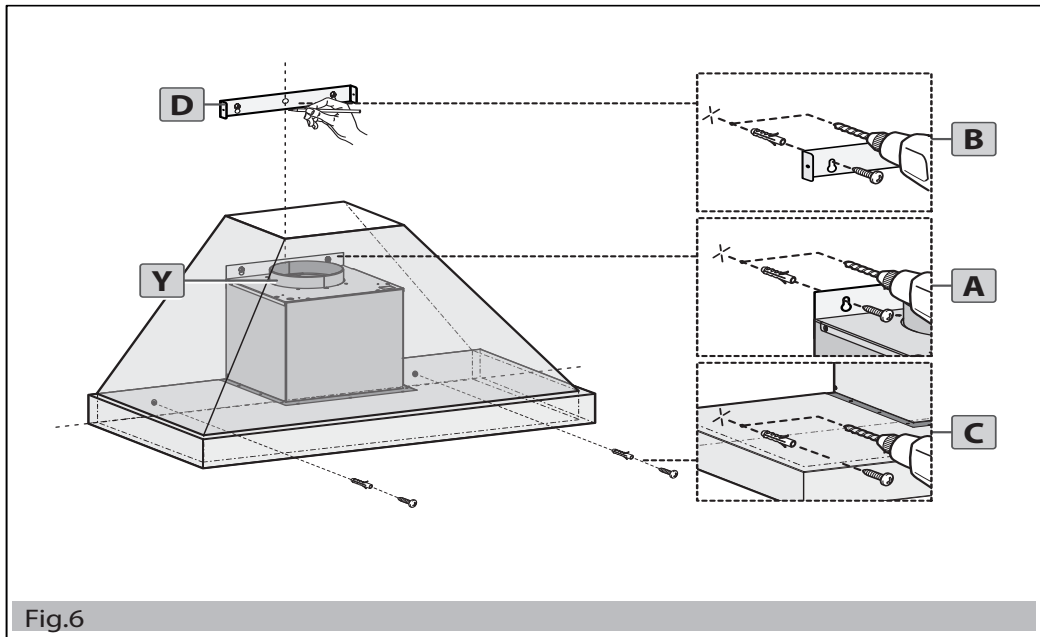


Fig.5



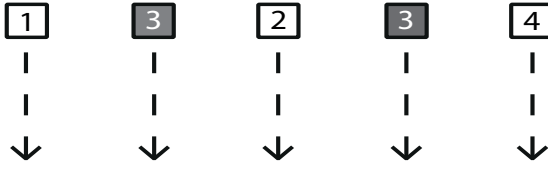


Fig.8

Please kindly register on our web site www.bertazzoni.com to validate your new product warranty and help us to assist you better in case of any inconvenience.

TWO YEAR LIMITED WARRANTY

The warranties provided by Bertazzoni SpA in this statement apply exclusively to Bertazzoni appliances and accessories sold as new products to the original owner by a Bertazzoni authorized distributor, retailer, dealer or service center and installed in the United States and Canada. The warranties provided in this statement are not transferable and have validity from the date of installation.

COVERAGE INFORMATION

Bertazzoni SpA will repair or replace any component part which fails or proves defective due to materials and/or workmanship within 2 years from the date of installation and under conditions of normal residential use. Repair or replacement will be free of charge, including labor at standard rates and shipping expenses. Repair service must be performed by a Bertazzoni Authorized Service Center during normal working hours.

COSMETIC WARRANTY

Bertazzoni will cover parts showing cosmetic defects in material and workmanship for a period of thirty (30) days from date of installation of the unit. This coverage will include scratches, stains, surface imperfections on stainless steel, paint and porcelain, with the exclusion of slight differences in color due to materials and painting/enamelling technologies.

Exclusions are labor costs, B stock items, out - of - box appliances and display units.

HOW TO OBTAIN SERVICE

To obtain service please contact Bertazzoni Customer Service at the numbers below and make sure to have model number, serial number, and date of purchase ready. This information will be requested by our team and is crucial to speeding up resolution.

UNITED STATES <https://us.bertazzoni.com/more/support>

Phone: 866-905-0010

CANADA <https://ca.bertazzoni.com/more/support>

Phone : 800-361-0799

Save proof of original purchase or of original installation to establish warranty period. Copy of the product serial tag is affixed to the back cover of the instruction manual.

WHAT IS NOT COVERED

1. The product used in any commercial/business application
2. Repair service provided by other than a Bertazzoni authorized service agent.
3. Damage or repair service to correct service provided by an unauthorized agency or the use of unauthorized parts.
4. Installation not in accordance with local electrical codes or plumbing codes.
5. Defects or damage due to improper storage of the product.
6. Defects or damage or missing parts on products sold out of the original factory packaging or from displays.
7. Service calls or repairs to correct the installation of the product and/or related accessories.
8. Service calls to connect, convert or otherwise repair the electrical wiring / gas line / water line to properly use the product.
9. Service calls to provide instructions on the use of a Bertazzoni product.
10. Repair service due to product usage in manner other than what is normal and customary for home use.
11. Replacement of wear and tear parts
12. Replacement of glasses and light bulbs if they are claimed to have failed later than 30 days after installation and in no case later than 4 months after date of purchase
13. Defects and damages arising from accident, alteration, misuse, abuse, improper installation.
14. Defects and damages arising from transportation of the product to the home of the owner.
15. Defects and damage arising from external forces beyond the control of Bertazzoni SpA such as fire, flood, earthquakes and other acts of God.

In case the product will be installed in a remote area, where certified trained technicians are not reasonably available, the customer will be responsible for the transportation costs for the delivery of the product to the nearest authorized service center or for the displacement costs of a certified trained technician.

Bertazzoni does not assume any responsibility for incidental or consequential damages.

Some states do not allow the exclusion or limitation of incidental or consequential damages, so the above limitation or exclusion may not apply to you. This warranty gives you specific legal rights and you may also have other rights which may vary from state to state or province to province.

USER INSTRUCTIONS

IMPORTANT SAFETY INSTRUCTIONS

Carefully read the following important information regarding installation safety and maintenance. **READ AND SAVE THESE INSTRUCTIONS** for future reference.

REQUIREMENTS:

120V, 60 Hz. 15A Circuit grounding.

INTENDED FOR DOMESTIC COOKING ONLY !

SAFETY MEASURES

- Do not connect the exhaust hood to the chimneys, flues and airducting the room.
- The evacuated air must not be let into a warm air duct.
- This appliance must be connected to a system equipped with earth or ground plate.
- When performing maintenance operations, disconnect the appliance from the field connection.
- Do not do any flambé cooking underneath the hood - When frying, never leave the pan alone because the cooking oil could flare up.
- Clean all the surfaces frequently to avoid danger of fire. To do so use a cloth and or brush soaked in denatured ethyl alcohol. It also important to remove and clean or substitute frequently the filter installed in the hood.
- It advisable to utilise cooking surfaces of the same width as the hood.
- Do not operate with a damaged cord or plug. Discard fan or return to an authorized service facility for examination and/or repair.
- Do not run cord under carpeting. Do not cover with throw rugs, runners or similar coverings. Arrange cord away from traffic area and where it will not be tripped over.
- Do not route cord under furniture or appliances.
- Do not operate any fan with a damaged cord or plug. Discard fan or return to an authorized service facility for examination and/or repair. Do not run cord under carpeting.
- Wiring shall be protected from sharp edges (including male screw threads), burrs, fins, moving parts, and other agencies that might abrade the insulation on conductors.

The device has a switch for disconnection from the main electricity network, which is placed inside the hood immediately after the filter and is of red colour.

By placing the knob in the Off position, the motor is not activated while the lamp can operate normally.

INTRODUCTION

These instructions are designed to tell you of the various technical details of your cooker hood and to make you familiar with its use. Since these instructions cover more than one type of hood within the same series, it may be that reference is made to components that do not form part of the hood that you are installing. The hood should be used in the exhaust version to discharge all the kitchen vapours and odours out-door of the building. Fittings can vary from country to country. We reserve the right to modify the product without any notice always with the aim of improvements and in compliance with the relevant norms.

SUGGESTIONS FOR USING THE HOOD IN EXHAUST POSITION

When an exhaust hood and a heat source requiring ambient air (e.g. gas, oil, coal stoves, etc.) are used at the same time, attention is required because the air necessary for combustion is exhausted from the room through the hood and this creates depression. There is no such danger when the maximum

depression in the room is 0,04 mbar. In this condition no exhaust gas from the heat source is piped. To assure this condition, make opening in the room which cannot be closed (doors, windows, etc. are insufficient) and through which the air necessary for combustion can freely flow.

Note : *All the exhaust ductwork in the apartment or house should be studied. In case of doubts, get advice or authorization from the person or agency responsible for the building.*

Note : *The efficiency of the exhaust hood decreases as the length of the ducts and number of increase. When using the exhaust version, follow these rules : Do not connect the exhaust hood to chimneys, flues, and air ducts serving the room. Before venting into exhaust flues and ducts no longer in use, ask for approval of person or agency responsible for the building. The evacuated air must not be let into a warm air duct. For the evacuation of the exhausted air please note official instructions.*

INSTALLATION

Warning :

The discharge air is to be directed to building exterior.

The hood must be mounted over the centre of cooking area. The minimum distances between the cooking area and the underside of the hood are 650 mm (25"19/32).

Warning : *If the room contains a flued fuel burning appliance which is not of the balance flue type make sure there is an adequate air inlet to the room at all times so that fumes are not drawn the flue.*

Note : *The distances, however, are subject to the safety rules in effect in the various countries. Before drilling the wall make sure that no pipes or cables will be damaged. If there is no outer waste pipe for the exhaust version, an air outlet with a diameter of Ø 160 mm (6"19/64) must be made through the wall.*

WALL FIXING OF THE COOKER HOOD - INSTALLATION BY MEANS OF THE BRACKET SUPPLIED

- 1) Check the size of the model you have purchased (see picture 1).
- 2) When installing your product comply with the distance from the cooking surface (see picture 2).
- 3) Remove the three metallic filters (see picture 3).
- 4) Make the holes on the wall according to the template scheme (see Figure 4).
- 5) To secure the hood use the inserts (see Figure 5).
- 6) Hang the hood on the wall (A), and secure it with the screws (C) (see Figure 6).
- 7) Place the bracket (D) and secure it to the wall (B) (see Figure 6).
- 8) Adjust the elements of the telescopic chimney and fix it to the bracket (D) (see figure 7).

CONNECTION EXHAUST

Link a 150 mm diameter air outlet chimney to the spigot. This pipe is an accessory of the hood.

Warning : *To reduce the risk of fire use only metal ductwork.*

Attention : The appliance is provided with a supply cord, the appliance must be positioned so that the plug is accessible.

Attention : If there are three wires in the electrical supply cable they must be connected as follows :

Grey/Yellow = ground - White = neutral - Black = line

Important : *The hood manufacturer will not be responsible for any damage or loss caused by failure to observe these instructions.*

Important : *A damage power supply cord must be replaced by the service.*

WARNING GROUNDING INSTRUCTIONS

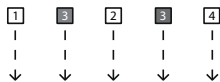
This appliance must be grounded. In the event of an electrical short circuit, grounding reduces the risk of electric shock by providing an escape wire for the electric current. This appliance is equipped with a cord having a grounding wire with a grounding plug. The plug must be plugged into an outlet that is properly installed and grounded.

WARNING: Improper grounding can result in a risk of electric shock. Consult a qualified electrician if the grounding instructions are not completely understood, or if doubt exists as to whether the appliance is properly grounded. **Do not use an extension cord. If the power supply cord is too short, have a qualified electrician install an outlet near the appliance."**

USING THE COOKER HOOD

The cooker hood should be switched on either before or the same as cooking or frying commences. The filters are more effective if the fan is not switched off immediately after cooking or frying is completed, but only after a period of some 20-30 minutes. Before using the cooker hood please ensure that all plastic films like on metal grease filter and stainless steel ducting are removed.

USER INSTRUCTION



The cooker hood is equipped of the following functions **Fig. 8 :**

The symbol show the ignition key for the oven light (on/off) **(fig.8/1)**

The symbol shows the ignition key switch on/off of the motor aspirant **(fig.8/2)**

The symbols shows the keys of the speeds of the motor. They increase and they decrease the speed of the motor (there are 4 levels of possible speeds) **(fig. 8/3)**

The symbol shows the key timer: the timer will run if the timer is pushed and will switch off the cooker hood after 15 minutes **(fig. 8/4)**

LAMP REPLACEMENT

The hood has a LED lamp, take care to not touch with hands when you replace it. Use a dry and not greasy protection (for example a cloth) in order to avoid a direct contact with skin that could make the lamp break. Never use lamps with wattage higher than the one shown on the label inside the hood.

SAFETY RULES

Do not operate any fan with a damaged cord or plug. Discard fan or return to an authorized service facility for examination and/or repair."

Do not do any dry flambe cooking underneath the hood. When frying, never leave the pan alone because the cooking oil could flare up. Clean all the surface frequently to avoid danger of fire. This can be done with a cloth or/and with a brush drenched with denatured alcohol or with any other similar substances, except for the button. It also important to

remove and clean or substitute frequently the filter installed in the hood.

MAINTENANCE

NOTE : Prior to any maintenance, switch off and disconnect from the electrical supply.

1) Under normal cooking conditions the grease should be cleaned every 10-15 days in hot water, to which a suitable detergent has been added. For reasons of efficiency and safety regular cleaning is advised. The grease filter may be subject to a small amount of shrinkage initially.

2) The outer casing of the cooker hood should be cleaned with a damp cloth.

GREASE FILTER

This absorbs vapour-suspended grease particles and protects the kitchen and furniture from grease residues. The filter should be washed every 10 to 15 days (in normal operating conditions). Dip the filter into a degreaser solution or put it in the dishwasher. Make sure not to damage the filter, which is made of several layers of this alloy, by hitting or crushing it. The aluminium filter may change colour, that will have no influence of the efficiency of the filter.

REPLACING OR CLEANING THE FILTERS

Proceed with the cleaning and repeat the operation counter clockwise. To remove the aluminium grease filter grab the opening tongue at all filters, pull it in your direction and move the filter downwards. To reinstall it operates reversed.

READ AND SAVE THESE INSTRUCTIONS

1) WARNING - TO REDUCE THE RISK OF A RANGE TOP FIRE :

a. Never leave surface units unattended at high settings. Boilovers cause smoking and greasy spill overs that may ignite. Heat oils slowly on low or medium settings.

b. Always turn hood ON when cooking at high heat or when flambeing food (le crepes suzette, cherries jubilee, peppercorn beef flambe).

c. Clean ventilating fans frequently. Grease should not be allowed to accumulate on fan or filter.

d. Use proper pan size. Always use cookware appropriate for the size of the surface element.

2) WARNING : to reduce the risk of fire or electric shock, do not use this fan with any solid state speed control device

3) WARNING TO REDUCE RISK OF FIRE, ELECTRIC SHOCK, OR INJURY TO PERSON, OBSERVE THE FOLLOWING :

a. Use this unit only in the manner intended by the manufacturer. If you have questions, contact the manufacturer.

b. Before servicing or cleaning unit, switch power off at service panel and lock the service disconnecting means to prevent power from being switched on accidentally. When the service disconnecting means cannot be locked, securely fasten a prominent warning device, such as a tag, to the service panel.

4) CAUTION : For general Ventilating use only. Do not use to exhaust hazardous or explosive material and vapors.


5) WARNING TO REDUCE THE RISK OF INJURY TO PERSONS IN THE EVENT OF A RANGE TOP FIRE , OBSERVE THE FOLLOWING :

a. Smother flames with a close-fitting lid, cookie sheet, or metal tray, then turn off the burner. **BE CAREFUL TO PREVENT BURNS.** If the flames do not go out immediately, **EVACUATE AND CALL THE FIRE DEPARTMENT.**

b. **NEVER PICKUP A FLAMING PAN** You may be burned.

c. **DO NOT USE WATER,** including wet dishcloths or towels - a violent steam explosion will result.

d. Use an extinguisher only if :

- 
-
1. You know you have a Class ABC extinguisher, and you already know how to operate.
 2. The fire is small and contained in the area where it started.
 3. The fire department is being called.
 4. You can fight the fire with your back to an exit. (based on "Kitchen Fire safety Tips" published by NFP A.
 - 6) **WARNING TO REDUCE THE RISK OF INJURY TO PERSONS IN THE EVENT OF A RANGE TOP FIRE , OBSERVE THE FOLLOWING :**
 - a. Installation work and electrical wiring must be done by qualified person(s) in accordance with all applicable codes and standards, including fire rated construction.
 - b. Sufficient air is needed for proper combustion and exhausting of gases through the flue (chimney) of fuel burning equipment to prevent back drafting. Follow the heating equipment manufacturer's guideline and safety standards such as those published by the National Fire Protection Association (NFPA), and the American Society for heating, refrigeration and air conditioning engineers (ASHRAE) and the local code authorities.
 - c. When cutting or drilling into wall or ceiling, do not damage electrical wiring and other hidden utilities.
 - d. Ducted fans must always be vented to the outdoors.
 - e. If this unit to be installed over a tub or shower, it must be marked as appropriate for the application and be connected to a GFCI (Ground Fault Circuit Interrupter) protected branch circuit.
 - f. Never place a switch where it can be reached from a tub or shower.

Nous Vous prions de bien vouloir vous enregistrer sur notre site web www.bertazzoni.com pour valider votre garantie du nouveau produit et nous aider à Vous aider dans le cas de dommages.

GARANTIE LIMITEE DE DEUX ANS

Les garanties offertes par Bertazzoni SpA dans cette déclarations' appliquent exclusivement aux appareils et composants Bertazzoni vendus comme neufs au propriétaire original par un distributeur, détaillant, concessionnaire ou centre de service autorisés et installés aux Etats-Unis et Canada. Les garanties fournies dans cette déclaration ne peuvent pas être transférées et sont valables à partir de la date d'installation.

INFORMATIONS SUR LA COUVERTURE

Bertazzoni SpA procédera à la réparation ou remplacera tout composant défectueux à cause des matériaux et/ou fabrication pendant 2 ans à compter de la date d'installation et dans les conditions normales d'utilisation dans le cadre familial.

La réparation ou le remplacement seront effectués à titre gratuit et incluront les frais de main d'oeuvre au tarif normal et les frais d'expédition. Les réparations doivent être effectuées par un Centre de Service Bertazzoni Autorisé pendant les heures de travail normales. Les défauts doivent être signalés dans les 30 jours qui suivent l'installation. Cette garantie ne couvre pas l'utilisation du produit dans le cadre commercial.

GARANTIE ESTHETIQUE

Bertazzoni SpA couvre les pièces présentant des défauts cosmétiques de matériaux et de fabrication pour une période de trente (30) jours à compter de la date d'installation de l'unité. Cette couverture inclut les rayures, les taches, les imperfections de surface sur l'acier inoxydable, de la peinture et de la porcelaine, à l'exclusion de légères différences de couleur dues à des matériaux et des technologies de peinture / émailage.

Les coûts de main-d'oeuvre, B stock, appareils out-of-box et les unités d'affichage sont exclus

COMMENT OBTENIR LE SERVICE CLIENT

Pour obtenir le service de garantie, veuillez contacter Bertazzoni Customer Service aux numéros indiqués ci-dessous et fournir le numéro du modèle, le numéro de série et la date d'achat.

Cette information sera demandée par notre équipe et sera très important pour accélérer la résolution du problème.

UNITED STATES <https://us.bertazzoni.com/more/support>

Phone: 866-905-0010

CANADA <https://ca.bertazzoni.com/more/support>

Phone : 800-361-0799

Il faut conserver la preuve d'achat ou l'origine de l'installation afin d'établir la période de garantie. Une copie du numéro de série sera collée derrière le manuel d'emploi.

CE QUI NE SERA PAS PRIS EN CHARGE

1. Le produit utilisé dans toute application commerciale/commerciale.
2. Service de réparation fourni par un agent de service autorisé autre que Bertazzoni.
3. N'importe quel dommage ou service de réparation nécessaire pour corriger un service effectué par un agence non autorisé et/ou par suite d'utilisation de pièces non autorisés.
4. Installation non conforme aux codes électriques locaux ou aux codes de plomberie.
5. Les défauts ou dommages dus à une mauvaise conservation du produit.
6. Les défauts ou dommages et les pièces oubliées sur les produits vendus au dehors de l'emballage d'origine ou d' affichage.
7. Les appels de service ou des réparations pour corriger l'installation du produit et / ou accessoires.
8. Les appels de service pour se connecter, ou réparer le câblage électrique et / ou de gaz afin d'utiliser le produit d'une façon correcte.
9. Les appels de service pour fournir des instructions sur l'utilisation d'un produit Bertazzoni.
10. Service de réparation dû à une utilisation différente que celle standard et habituel à la maison.
11. Remplacement des pièces d'usure
12. Remplacement des verres et des ampoules si elles sont échoués au plus tard 30 jours après l'installation et en aucun cas plus tard mois après la date d'achat
13. Défauts et dommages résultant d'un accident, modification, mésusage, abus, mauvaise installation.
14. Défauts et dommages résultant du transport du produit à la maison du propriétaire.
15. Les défauts et les dommages résultant de forces externes qui échappent au contrôle de Bertazzoni SpA tels que les incendies, les inondations, les tremblements de terre et autres catastrophes naturelles.

Au cas où le produit sera installé dans une zone, là où techniciens qualifiés certifiés ne sont pas raisonnablement disponibles, le client sera responsable des coûts de transport pour la livraison du produit au centre de service autorisé le plus proche, ou pour les coûts de déplacement d'un technicien qualifié certifié.

Bertazzoni exclut toute responsabilité pour les dommages accidentels ou indirects.

Certains pays n'autorisent pas l'exclusion ou la limitation des dommages accidentels ou indirects, la limitation indiquée plus haute peut donc ne pas s'appliquer à vous. Cette garantie vous offer des droits spécifiques et vous pouvez bénéficier d'autres droits qui peuvent varier d'un Etat à l'autre et d'une province à l'autre.

CONSIGNES DE SÉCURITÉ IMPORTANTES

Lisez attentivement les suivantes informations importantes concernant la sécurité d'installation et d'entretien.

LIRE ET CONSERVER CES INSTRUCTIONS pour pouvoir les consulter en cas de besoin.

EXIGENCES:

120 V, 60 Hz. Mise à la terre du circuit 15A.

POUR USAGE DOMESTIQUE SEULEMENT!

AVERTISSEMENTS IMPORTANTS

- Ne pas brancher la hotte à des cheminées, conduits et conduit d'aération de la cuisine.

- L'air évacué ne doit pas être laissé dans un conduit d'air chaud.

- Cet appareil doit être branché à un système d'alimentation muni d'un branchement à la terre efficace, conformément aux normes en vigueur.

- Lorsque vous effectuez des opérations de entretien, débrancher toujours l'appareil.

- Ne pas faire flamber des aliments sous la hotte - en cas de fritures, ne laissez jamais le poêle seul, car l'huile surchauffée peut prendre feu.

- Nettoyez toutes les surfaces fréquemment pour éviter tout risque d'incendie. Pour faire cela, utilisez un chiffon ou une brosse trempé dans de l'alcool éthylique dénaturé. Il est également important d'enlever et nettoyer ou remplacer souvent le filtre installé dans la hotte.

- Il convient d'utiliser des cuisines de la même largeur que la hotte.

- Ne pas utiliser un cordon ou une fiche endommagé. Jeter le ventilateur ou retourner à un centre de service autorisé pour examen et / ou réparation.

- Ne pas faire passer le cordon sous un tapis. Ne couvrez pas par des tapis ou revêtements similaires. Éloigner le cordon des endroits passants où il ne sera pas trébucher. Le câblage doit être protégé contre des bords tranchants (y compris les filetages mâles), les bavures, les nageoires, les pièces mobiles et d'autres organismes pouvant causer une abrasion de l'isolant sur les conducteurs.

L'appareil est équipé d'un commutateur pour la déconnexion de la tension secteur, qui est placé à l'intérieur de la hotte immédiatement après le filtre et qui est de couleur rouge.

En mettant le bouton en position d'arrêt, du moteur n'est plus activé tandis que les lampes peuvent fonctionner normalement.

INTRODUCTION

Ces instructions sont conçues pour vous informer des différents détails techniques de votre hotte et de vous familiariser avec son utilisation. Étant donné que ces instructions couvrent plus d'un type de hotte de la même série, il se peut ou une brosse trempé référence à des composants qui ne font pas partie de la hotte que vous installez. La hotte doit être utilisée en version aspirante pour acheminer tous les vapeurs de cuisine vers l'extérieur. Raccords peuvent varier d'un pays à l'autre. Nous nous réservons le droit de modifier le produit sans aucun préavis toujours dans le but d'améliorer et en conformité avec les normes pertinentes.

SUGGESTIONS POUR L'UTILISATION DE LA HOTTE EN VERSION A EVAQUATION

Quand une hotte aspirante et d'une source de chaleur nécessitant de l'air ambiant (par exemple gaz, poêles à pétrole, charbon, etc) sont utilisés dans le même temps, il est nécessaire faire attention parce que l'air nécessaire à la combustion est évacué du local à travers la hotte, ce qui crée une dépression. Il n'y a pas de danger lorsque le maximum de dépression dans la chambre est 0,04 mbar. Dans cet état, pas de gaz d'échappement à partir de

la source de chaleur est acheminée. Pour assurer cette condition, faire une ouverture dans la salle qui ne peut pas être fermé (portes, fenêtres, etc ne sont pas suffisantes) et à travers laquelle l'air nécessaire à la combustion peut s'écouler librement.

Remarque: Tous les conduits d'échappement dans l'appartement ou de la maison devrait être étudiée. En cas de doute, demandez conseil ou l'autorisation à la personne ou à l'organisme responsable de la construction.

Remarque: L'efficacité de la hotte diminue à mesure que la longueur des conduits et le numéro

de soufflet augmente. Lorsque vous utilisez la version aspirante, suivez ces règles: Ne pas brancher la hotte à des cheminées, des conduits de fumée et des conduits d'aération de la cuisine. Avant d'évacuer dans les conduits d'échappement et dans les conduits qui ne sont plus en usage, demander l'approbation de la personne ou l'agence responsable à la construction. L'air évacué ne doit pas être laissé dans un conduit d'air chaud. Pour l'évacuation de l'air évacué s'il vous plaît noter les instructions officielles.

INSTALLATION

AVERTISSEMENTS : l'air de sortie doit être dirigé vers l'extérieur du immeuble.

La hotte doit être monté au centre de la zone de cuisson. La distance entre la cuisinière et la partie la plus basse de la hotte de cuisine est, selon la norme, d'au moins 650 mm. (25 «19/32).

Attention: Si la hotte est utilisée en même temps que d'autres appareils qui fonctionnent au gaz ou avec d'autres combustibles, le local doit être suffisamment aéré.

Remarque: Les distances sont cependant soumis aux règles de sécurité en vigueur dans les différents pays. Avant de percer le mur assurez-vous qu'aucun des tuyaux ou des câbles sera endommagé. S'il n'y a pas de tuyau d'évacuation extérieure pour la version aspirante, une sortie d'air d'un diamètre de Ø 160 mm (6 «19/64) doit être faite à travers la paroi.

FIXATION MURALE DE LA HOTTE - INSTALLATION AVEC L'AIDE DES SUPPORT FOURNIS

1) Vérifier la dimension du modèle que vous avez acheté (voir image 1).

2) Lors de l'installation de votre produit, déterminez la hauteur désirée où placer la hotte (voir image 2).

3) Enlever les trois filtres métalliques (voir image 3).

4) Faire des trous sur le mur selon le schéma du modèle (voir figure 4).

5) Pour fixer la hotte utiliser les inserts (voir figure 5).

6) Accrochez la hotte à la paroi (A), et la fixer avec les vis (C) (voir Figure 6).

7) Placez le support (D) et le fixer à la paroi (B) (voir figure 6).

8) Régler les éléments de la cheminée télescopique et les fixer sur le support (D) (voir figure 7).

CONVOYEUR D'EVACUATION

Lier la cheminée de sortie d'air d'un diamètre de 150 mm à la jonction.. Ce tube est un accessoire de la hotte.

Attention: Pour réduire le risque de feu, utiliser seulement un conduit métallique.

Attention: L'appareil est fourni avec un cordon d'alimentation, l'appareil doit être placé de sorte que la prise soit accessible.

Attention: Si, il ya trois fils dans le câble d'alimentation électrique, ils doivent être connectés comme suit:

Gris / Jaune = mise à la terre - Blanc = neutre - noir = phase

Important: Le fabricant décline toute responsabilité si les normes de sécurité ne sont pas respectées.

Important: Un fil débranché ou coupé doit être remplacé par le service.

AVERTISSEMENT INSTRUCTIONS DE MISE A TERRE

Cet appareil doit être mis à terre. Dans le cas d'un court-circuit électrique, la mise à terre réduit le risque de choc électrique en fournissant un fil de fuite pour le courant électrique. Cet appareil est équipé d'un cordon muni d'un fil de mise à terre avec une prise de terre. La fiche doit être branchée dans une prise correctement installée et mise à terre.

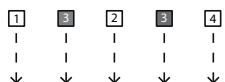
AVERTISSEMENT: une mise à terre inadéquate peut entraîner un risque de choc électrique. Consultez un électricien qualifié si les instructions de mise à terre ne sont pas complètement comprises ou en cas de doute si l'appareil est correctement mis à terre. Ne pas utiliser une rallonge. **Si le cordon d'alimentation est trop court, demandez à un électricien qualifié d'installer une prise près de l'appareil** “.

UTILISATION DE LA HOTTE

La hotte doit être mise en marche avant ou soit en même temps que la cuisson ou la friture commence. Les filtres sont plus efficaces si le ventilateur n'est pas éteint immédiatement après la cuisson ou la friture est terminée, mais seulement après une période d'environ 20-30 minutes. Avant d'utiliser la hotte s'il vous plaît s'assurer que tous les films plastiques comme sur le filtre à graisse métallique et sur les conduits en acier inoxydable sont enlevés..

INSTRUCTIONS D'UTILISATION

TABLEAU DE COMMANDES - TYPE SL



La hotte est douée des suivants commandements

Fig. 8 :

Le symbole indique le touche d'allumage de lumière (on/off) (fig. 8/1)

Le symbole indique le touche d'allumage moteur aspirant (on/off) (fig. 8/2)

Le symbole (il y a 4 niveaux de vitesses possibles) (fig. 8/3)

Le symbole indique le temps: lorsque la hotte est allumée, si on appuie sur ce bouton après 15 minutes la hotte s'éteint automatiquement (fig. 8/4)

REMPLACEMENT DE LA LAMPE

La hotte a une lampe LED, prendre soin de ne pas toucher avec les mains quand vous la remplacer. Utiliser une protection sèche et non grasse (par exemple un tissu), afin d'éviter un contact direct avec la peau qui pourrait briser la lampe. Ne jamais utiliser des lampes avec une puissance supérieure à celle indiquée sur l'étiquette à l'intérieur de la hotte.

RÈGLES DE SÉCURITÉ

•Ne pas utiliser un ventilateur avec un cordon ou une fiche endommagé. Jetez le ventilateur ou retournez le à un centre de service autorisé pour examen et / ou réparation “.

Ne pas faire flamber les aliments sous la hotte. Pendant la friture, ne jamais laisser la casserole car l'huile surchauffée peut prendre feu. Nettoyez toute la surface fréquemment afin d'éviter tout risque d'incendie. Cela peut être fait avec un chiffon et / ou avec un pinceau trempé avec de l'alcool dénaturé ou à d'autres substances similaires, à l'exception de la touche. Il est également important d'enlever et nettoyer ou remplacer souvent le filtre installé dans la hotte.

ENTRETIEN REMARQUE:

Avant chaque entretien, éteignez et débranchez l'appareil.

1) Dans des conditions normales de cuisson la graisse doit être nettoyé tous les 10-15 jours dans l'eau chaude, en ajoutant un détergent approprié. Pour des raisons d'efficacité et de sécurité, un nettoyage régulier est conseillé. Le filtre anti-graisses peut être soumis à un petit rétrécissement.

2) La surface extérieure de la hotte doit être nettoyé avec un chiffon humide.

FILTRE ANTI-GRASSE

Ce filtre absorbe les particules de graisse en suspension vapeur et protège la cuisine et les meubles de résidus de graisse. Le filtre doit être lavé tous les 10 à 15 jours (dans des conditions normales d'utilisation). Trempez le filtre dans une solution de dégraissage ou mettez-le dans le lave-vaisselle. Veillez à ne pas endommager le filtre, qui est fait de severallayers de cet alliage, en le frappant ou écrasant. Le filtre en aluminium peut changer de couleur, qui n'aura pas d'influence sur l'efficacité du filtre.

REMPLACEMENT OU NETTOYAGE DES FILTRES

Procéder au nettoyage et répéter l'opération au sens horaire. Pour enlever le filtre anti-graisse en aluminium saisir la languette d'ouverture à tous les filtres, tirez dans votre direction et et déplacer le filtre vers le bas. Pour le réinstaller, cela fonctionne dans l'autre sens.

LIRE ET CONSERVER CES INSTRUCTIONS

1) AVERTISSEMENT - POUR RÉDUIRE LE RISQUE DE FEU DE CUISINIÈRE:

a. Ne laissez jamais les éléments de surface sans surveillance à des réglages élevés. Les débordements par bouillonnement causent à un feu doux ou moyen. Chauffez l'huile lentement, à un feu doux ou moyen.

b. Toujours mettre la hotte en marche lorsque vous cuisinez à feu vif ou lorsque vous cuisinez des mets flambés (les crêpes suzette, cerises jubilé, du steak au poivre flambé).

c. Nettoyer les ventilateurs fréquemment. Graisse ne doit pas s'accumuler sur le ventilateur ou le filtre.

d. Utiliser la taille appropriée de casserole. Toujours utiliser des ustensiles de cuisson approprié à la taille de l'élément de cuisson.

2) **AVERTISSEMENT:** pour réduire le risque d'incendie ou d'électrocution, ne pas utiliser ce ventilateur avec un dispositif de contrôle de vitesse solide

3) AVERTISSEMENT POUR RÉDUIRE LES RISQUES D'INCENDIE, DE CHOC ÉLECTRIQUE OU DE BLESSURES CORPORELLES, SUIVEZ LES INSTRUCTIONS SUIVANTES:

a. N'utilisez cet appareil que de la manière prévue par le fabricant. Si vous avez des questions, contactez le fabricant.
b. Avant de réparer ou de nettoyer l'appareil, coupez le courant au panneau de service et verrouillez le dispositif de sectionnement pour éviter une mise en marche accidentelle. Lorsque le dispositif de sectionnement ne peut être verrouillé,

y fixer un avertissement en évidence, comme une étiquette, sur le panneau de service.

4) **ATTENTION:** Pour ventilation générale seulement. Ne pas utiliser pour évacuer des matières dangereuses ou explosives et des vapeurs.

5) **AVERTISSEMENT POUR RÉDUIRE LES RISQUES DE BLESSURES EN CAS DE FEU**

DE CUISINIÈRE, SUIVEZ LES INSTRUCTIONS SUIVANTES:

a. Éteufez les flammes avec un couvercle hermétique, une tôle à biscuits ou un plateau métallique, puis éteignez le brûleur. **ATTENTION AUX BRÛLURES.** Si les flammes ne s'éteignent pas immédiatement. **SORTEZ ET APPELEZ LES POMPIERS.**

b. **NE JAMAIS PRENDRE UNE CASSEROLE EN FLAMMES** car vous pouvez être brûlé.

c. **NE PAS UTILISER D'EAU,** ni de torchons ou de serviettes mouillés - une explosion de vapeur violente pourrait en résulter.

d. Utilisez un extincteur seulement si:

1. Vous savez que vous avez un extincteur de classe ABC et vous savez déjà comment le faire fonctionner.

2. Le feu est petit et limité à la zone où il a commencé.

3. Les pompiers ont été appelé.

4. Vous pouvez combattre l'incendie en faisant dos à une sortie. (basé sur «Kitchen Fire Safety Tips» publié par le PFN A.

6) **AVERTISSEMENT POUR RÉDUIRE LES RISQUES DE BLESSURES EN CAS DE FEU DE HAUT GAMME, RESPECTEZ LES CONSIGNES SUIVANTES:**

a. Les travaux d'installation et le câblage électrique doivent être effectués par une personne qualifiée (s) en conformité avec tous les codes et normes applicables, y compris la construction d'incendie nominale.

b. Air suffisante est nécessaire pour la combustion et l'évacuation complète des gaz par la cheminée (cheminée) des équipements de combustion pour prévenir un refoulement. Suivez les consignes du fabricant de l'équipement de chauffage et les normes de sécurité telles que celles publiées par la National Fire Protection Association (NFPA) et la Société américaine pour les ingénieurs pour le chauffage, la réfrigération et climatisation (ASHRAE) ainsi que les responsables des codes locaux.


c. Lorsque vous coupez ou perforez un mur ou un plafond, ne pas endommager le câblage électrique et autres utilités cachées.


d. Les ventilateurs avec conduits doivent toujours être évacués à l'extérieur

e. Si cette unités doit être installé sur une baignoire ou d'une douche, Si ces unités doit être installé sur un tube ou d'une douche, il elle doit être marqué comme approprié pour l'application et être connecté à un disjoncteur différentiel (Ground Fault Circuit Interrupter) du circuit de dérivation protégé.

f. Jamais Placer un interrupteur où il peut être accessible depuis une baignoire ou une douche.

CALIFORNIA PROPOSITION 65

 **WARNING:** Cancer and Reproductive Harm –
www.P65Warnings.ca.gov.

 **ADVERTENCIA:** Cáncer y Daño Reproductivo –
www.P65Warnings.ca.gov.

 **AVERTISSEMENT:** Cancer et Troubles de l'appareil reproducteur –
www.P65Warnings.ca.gov.

3071108

