

# WH53DBH700EF

# SAMSUNG

Bespoke AI Laundry Hub™ 5.3 cu. ft. Ultra Capacity Single Unit Washer with AI OptiWash™ and 7.6 cu. ft. Electric Dryer in Satin Green



## Available Color



Satin Green

## Washer Features

- Laundry Hub™ with Easy Reach Control Panel
- 5.3 cu. ft. Ultra Capacity
- AI OptiWash™
- Flex Auto Dispense System
- Super Speed Wash
- Wi-Fi Connectivity with SmartThings\*
- Steam Wash
- 20-Year Motor Warranty\*\*
- Energy Star® Certified
- AI Smart Dial
- Self Clean+
- 1200 RPM Maximum Spin Speed
- DIT Motor

## Dryer Features

- AI Optimal Dry
- Super Speed Dry
- Steam Sanitize+
- Vent Sensor
- Sensor Dry
- Stainless Steel Drum
- Drum Light
- Lint Filter Alert
- Drying Rack
- Wi-Fi Connectivity with SmartThings\*
- 3-Way Venting (Back, Left, Right)

## Convenience

- Child Lock
- Filter Check Indicator
- Dispenser Trays: Main Wash, Bleach, Auto Detergent, Auto Softener

Warranty		
Washer	Dryer	
One (1) Year Parts and Labor Three (3) Years Stainless Steel Tub (Part Only) Twenty (20) Years Washing DIT (Digital Inverter Motor) Motor Part (Part Only)	One (1) Year Parts and Labor	
Dimensions (WxHxD) & Weight		
Product Dimensions	27" x 74 <sup>7</sup> / <sub>16</sub> " x 34 <sup>1</sup> / <sub>2</sub> "	
Product Weight	341.7 lbs	
Shipping Dimensions	29 <sup>3</sup> / <sub>8</sub> " x 81 <sup>15</sup> / <sub>16</sub> " x 36 <sup>1</sup> / <sub>16</sub> "	
Shipping Weight	352.7 lbs	
UPC		
Satin Green with Electric Dryer	WH53DBH700EF	887276814575
Satin Green with Gas Dryer	WH53DBH700GF	887276814582
Optional Vent Kit	DV-2A	887276146416

Washer Cycles/Settings	
24 Total Washing Cycles	Normal, AI OptiWash, Heavy Duty, Bedding, Perm Press, Delicates, Activewear, Wool, Towels, Eco Cold, Rinse + Spin, Self Clean+, Small Load, Colors, Spin Only, Denim, Super Speed, Steam Sanitize, Steam Allergen, Steam Normal, Power Steam, Steam Whites, Steam Bulky, Power Rinse
18 Options	Pre Soak, Extra Rinse, My Cycles, Delay End, Smart Control, Super Speed, Drum Light, Child Lock, Dispenser 1, Dispenser 2, Pump Clean, AI Pattern, Calibration, Self Diagnosis, Volume, Language, Wi-Fi, Factory Reset
5 Temperature Settings	Extra Hot, Hot, Warm, Cold, Tap Cold
5 Spin Settings	Extra High, High, Medium, Low, Extra Low
5 Soil Settings	Extra Heavy, Heavy, Normal, Light, Extra Light

Dryer Cycles/Settings	
20 Preset Drying Cycles	Steam Refresh, Wrinkle Away, Steam Sanitize+, AI Optimal Dry, Super Speed, Eco Normal, Normal, Heavy Duty, Towels, Perm Press, Activewear, Bedding, Delicates, Wool, Shirts, Denim, Time Dry, Air Fluff, Small Load, Rack Dry
14 Options	Damp Alert, Wrinkle Prevent, AntiStatic, My Cycles, Smart Control, Eco Dry, Drum Light, Child Lock, Volume, AI Pattern, Wi-Fi, Language, Vent Blockage Test, Factory Reset
5 Temperature Settings	High, Medium, Medium Low, Low, Extra Low
5 Drying Levels	Very Dry, More Dry, Normal Dry, Less Dry, Damp Dry

Ratings		Electrical Requirements	
Washer	Dryer	Washer	Dryer
CEE Tier 3	608 kWh/yr	120 V / 60 Hz	240 V / 60 Hz
IMEF = 3.10			
IWF = 2.9			
103 kWh/yr		15 Amps	30 Amps

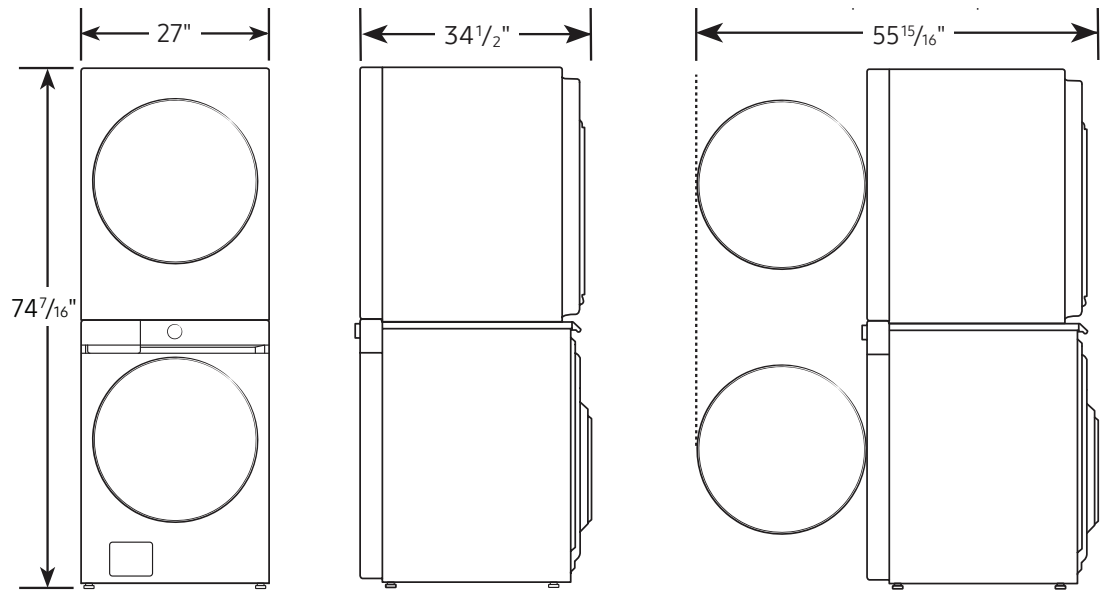
\*Available on Android and iOS devices. A Wi-Fi connection and a Samsung account are required.

\*\*20-year warranty limited to the Digital Inverter Motor purchased on 7/1/2022 or later. Purchase receipt indicating purchase date required for a claim. Additional restrictions and limitations apply, see warranty for details.

# WH53DBH700EF

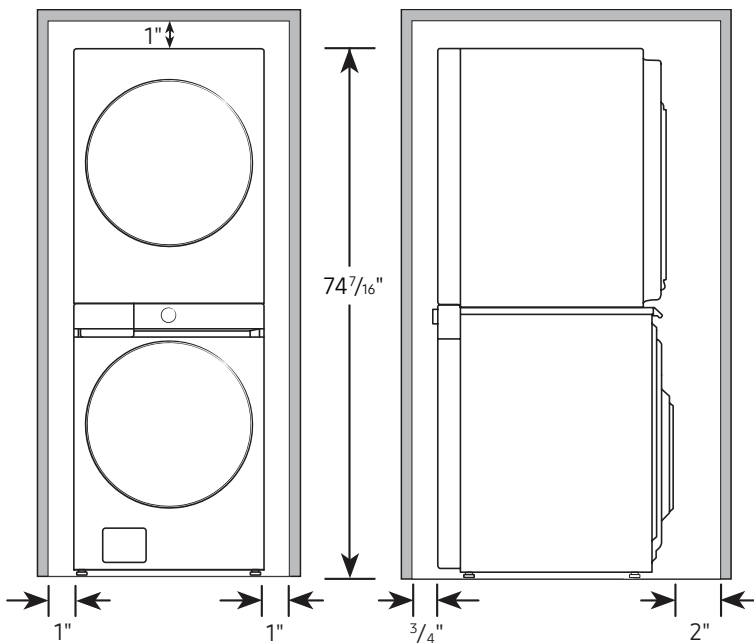
Bespoke AI Laundry Hub™ 5.3 cu. ft. Ultra Capacity Single Unit Washer with AI OptiWash™ and 7.6 cu. ft. Electric Dryer in Satin Green

## Dimensions



## Alcove or Closet Installation

The front of the alcove or closet must have two unobstructed air openings for a combined minimum total area of 72 in.<sup>2</sup>



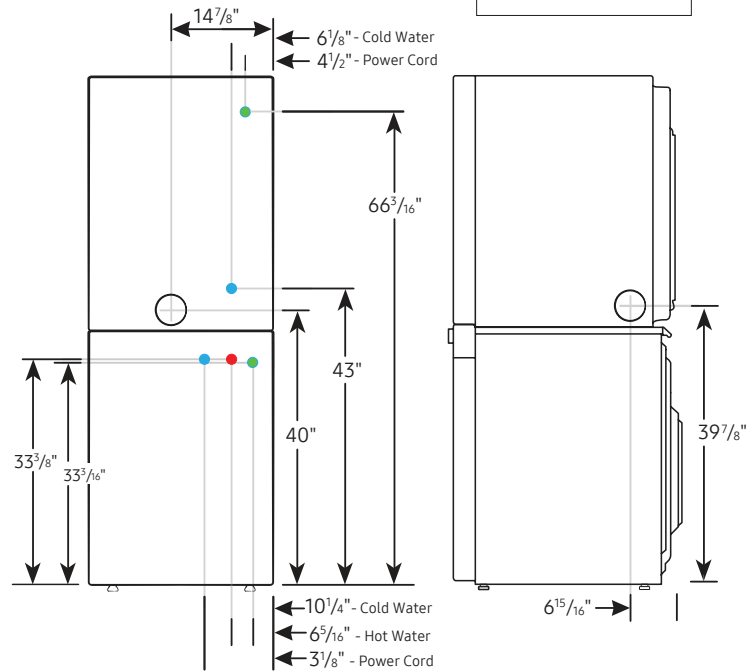
## Connection Dimensions\*

Back and side views

\*Measurements are approximations for frame only.

LEGEND:

- Cold Water Connection
- Hot Water Connection
- Power Cord



Actual color may vary. Design, specifications, and color availability are subject to change without notice. Non-metric weights and measurements are approximate.

©2024 Samsung Electronics America, Inc., 85 Challenger Road, Ridgefield Park, NJ 07660. Tel: 800-SAMSUNG. samsung.com. Samsung is a registered trademark of Samsung Electronics Co., Ltd.