

SAMSUNG

Product Guide

Smart BESPOKE Linear Wash 39dBA Dishwasher

DW80R9950

Available in:

Fingerprint Resistant Navy Steel

Fingerprint Resistant Tuscan Steel

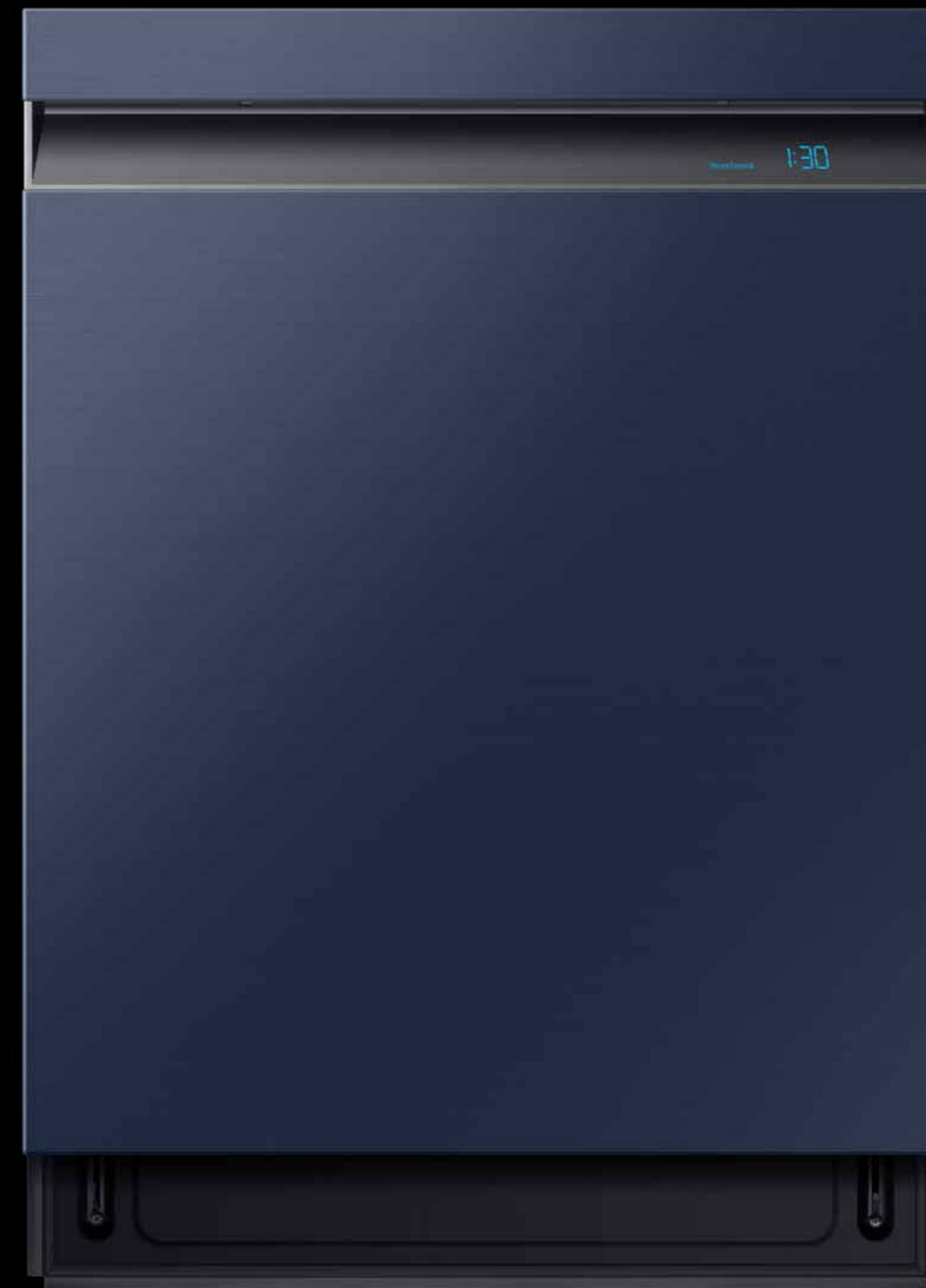


Table of Contents

DW80R9950 - Smart BESPOKE Linear Wash 39dBA Dishwasher

Product Overview

Product Overview	4
Carousel Image Order	5

Product Messaging

Features and Benefits	7
Product Videos	10
Lifestyle Images	11
Fact Tag Guidance	12

Product Specs

Related Products	14
Spec Sheet	15
User Manual and Warranty Information	16

Feature Icons

18

Product Overview

**DW80R9950 – Smart BESPOKE Linear Wash
39dBA Dishwasher**

Product Overview

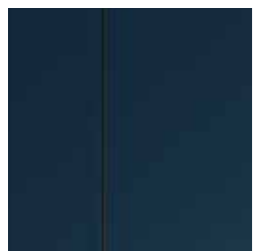
Product Title

Smart BESPOKE Linear Wash 39dBA Dishwasher in Fingerprint Resistant Navy Steel
Smart BESPOKE Linear Wash 39dBA Dishwasher in Fingerprint Resistant Tuscan Steel

Product Description (338 characters)

The Smart Linear Wash System combined with Whisper Quiet Cleaning brings remarkable cleaning results and a virtually silent performance to your kitchen. BESPOKE kitchen appliances are now available in complementary colors to the BESPOKE 4-Door Flex™ Refrigerator. Create your kitchen space in your style in either Navy or Tuscan Steel.

Available Colors



**Fingerprint Resistant
Navy Steel**
DW80R9950QN



**Fingerprint Resistant
Tuscan Steel**
DW80R9950UT



Carousel Image Order

Easy Ad Links: DW80R9950QN

R.COM <https://dam.gettyimages.com/p/z0c3461/external?o=AND&q=DW80R9950QN%20Carousel%20Images%20RCOM>

S.COM <https://dam.gettyimages.com/p/z0c3461/external?o=AND&q=DW80R9950QN%20Carousel%20Images%20SCOM>

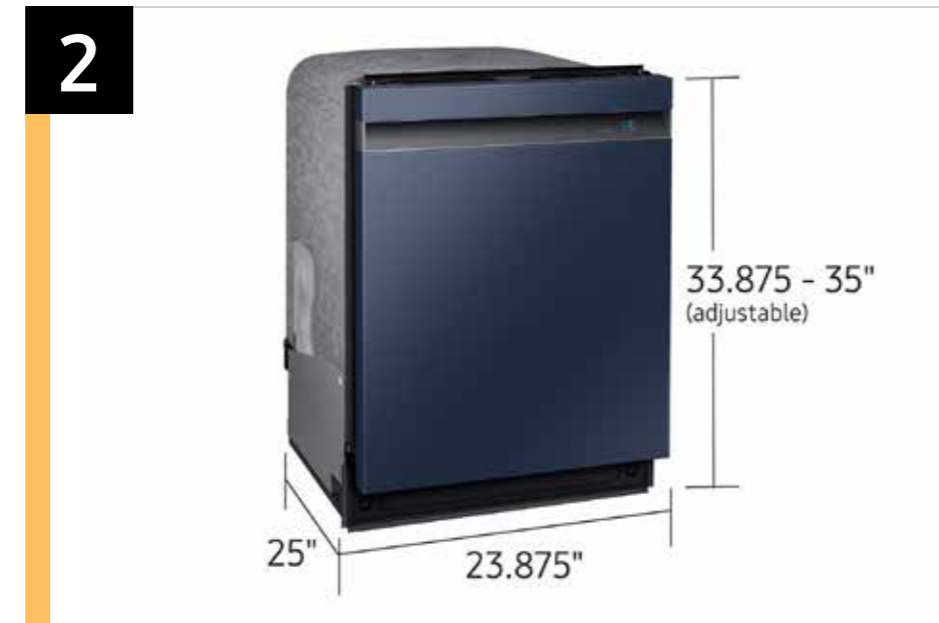
360 Spin - To Come

Easy Ad Links: DW80R9950UT

R.COM <https://dam.gettyimages.com/p/z0c3461/external?o=AND&q=DW80R9950UT%20Carousel%20Images%20RCOM>

S.COM <https://dam.gettyimages.com/p/z0c3461/external?o=AND&q=DW80R9950UT%20Carousel%20Images%20SCOM>




360 Spin <https://dam.gettyimages.com/p/z0c3461/external?o=AND&q=DW80R9950UT%20360%20Spins>






Product Messaging

**DW80R9950 – Smart BESPOKE Linear Wash
39dBA Dishwasher**


Features and Benefits – DW80R9950

Overall Product Headline	Feature Name	Long Body Copy	Short Body Copy	Associated Image
Everything Gets Cleaned	Linear Wash System	The Samsung Dishwasher with Linear Wash Technology has a one-of-its-kind sliding spray bar with Aqua Blast™ Jets that move in linear motion to provide corner to corner coverage for complete cleaning.	Aqua Blast™ Jets provide corner to corner coverage for superior cleaning.	 <p>Note: Video and static assets available (video is preferred).</p>
As Silent As A Whisper	Whisper Quiet Cleaning	Whisper Quiet Cleaning means less noise and less disturbance with virtually silent wash cycles at 39dBA. Your home is your oasis, no need for a noisy dishwasher.	Less noise and less disturbance with virtually silent wash cycles at 39dBA.	
Pops Open To Perform	AutoRelease™ Door Dry	At the end of a wash cycle, the door automatically opens to circulate air which significantly improves drying performance with less streaking.	At the end of a cycle, the door automatically opens to circulate air and improve drying performance.	 <p>Note: Video and static assets available (video is preferred).</p>

Features and Benefits – DW80R9950 (Continued)

Overall Product Headline	Feature Name	Long Body Copy	Short Body Copy	Associated Image
<p>Extra Space-Wish Granted</p>	<p>Flexible 3rd Rack</p>	<p>The flexible 3rd rack provides extra space to load silverware. Use adjustable section for oversized utensils.</p>	<p>The flexible 3rd rack provides extra space to load silverware.</p>	 <p>Note: Video and static assets available (video is preferred).</p>
<p>A Tough Kind Of Clean</p>	<p>Zone Booster™</p>	<p>Zone Booster™ provides an additional water stream in the bottom left area of the dishwasher for hard-to-clean pots and pans.</p>	<p>Zone Booster™ provides an additional water stream to the bottom left area for hard-to-clean pots and pans.</p>	 <p>Note: Video and static assets available (video is preferred).</p>
<p>All Shine</p>	<p>Fingerprint Resistant Finish</p>	<p>Fingerprint resistant for an everyday, beautiful finish.</p>	<p>Fingerprint resistant, beautiful finish.</p>	 <p>Note: This image should be customized by the page it's on.</p>

Features and Benefits – DW80R9950 (Continued)

Overall Product Headline	Feature Name	Long Body Copy	Short Body Copy	Associated Image
<p>When You Need An Extra Hand</p>	<p>Wi-Fi</p>	<p>Wi-Fi enables you to remotely monitor and control the dishwasher from wherever you are with your smartphone on the SmartThings App.*</p> <p><small>*Available on Android & iOS devices. A Wi-Fi connection and a Samsung account are required.</small></p>	<p>Remotely monitor and control the dishwasher from your smartphone.*</p> <p><small>*Available on Android & iOS devices. A Wi-Fi connection and a Samsung account are required.</small></p>	 <p>Note: Video and static assets available (video is preferred).</p>

Product Videos

Easy Ads link

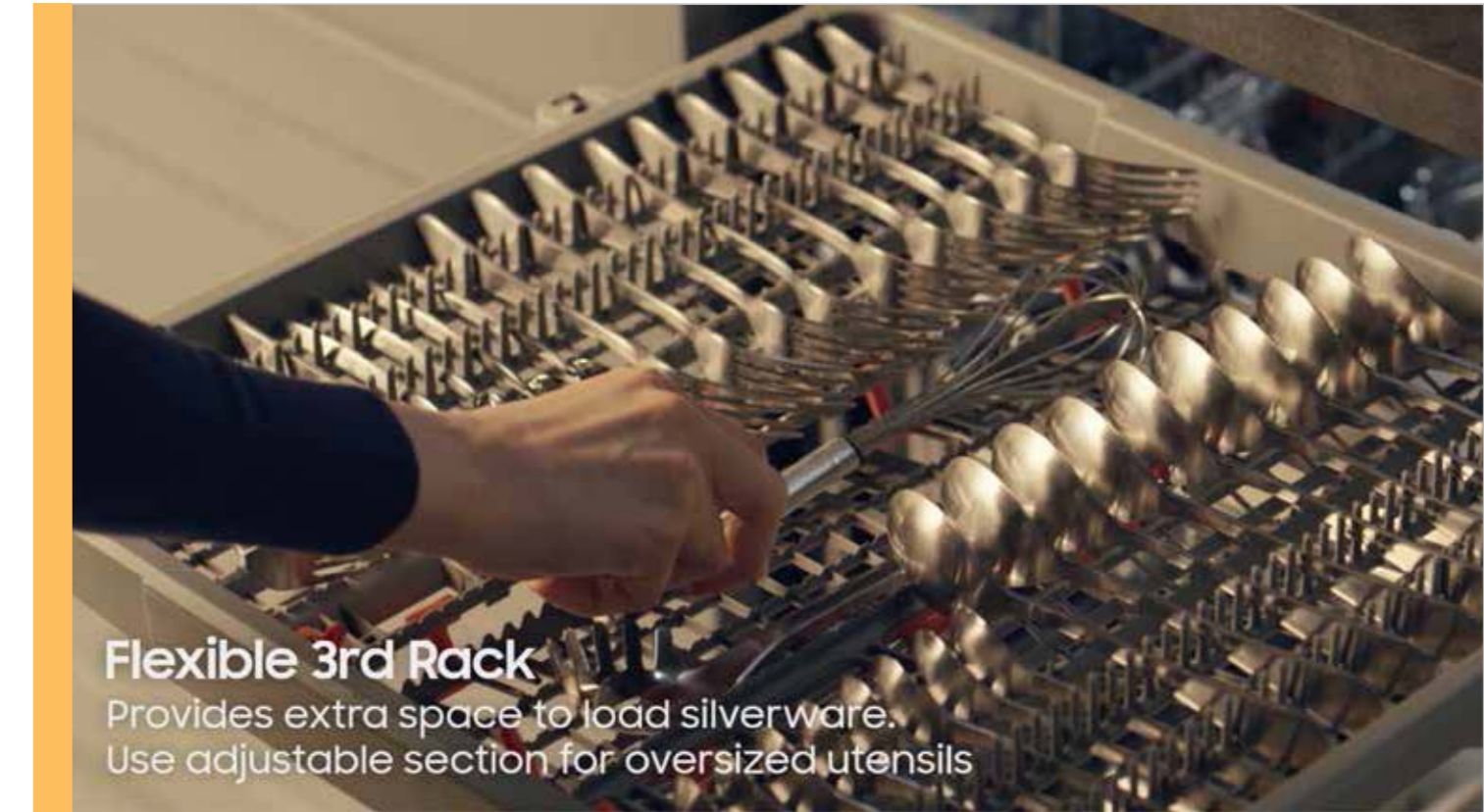
<https://dam.gettyimages.com/p/z0c3461/external?o=AND&q=DW80R9950%20Videos>



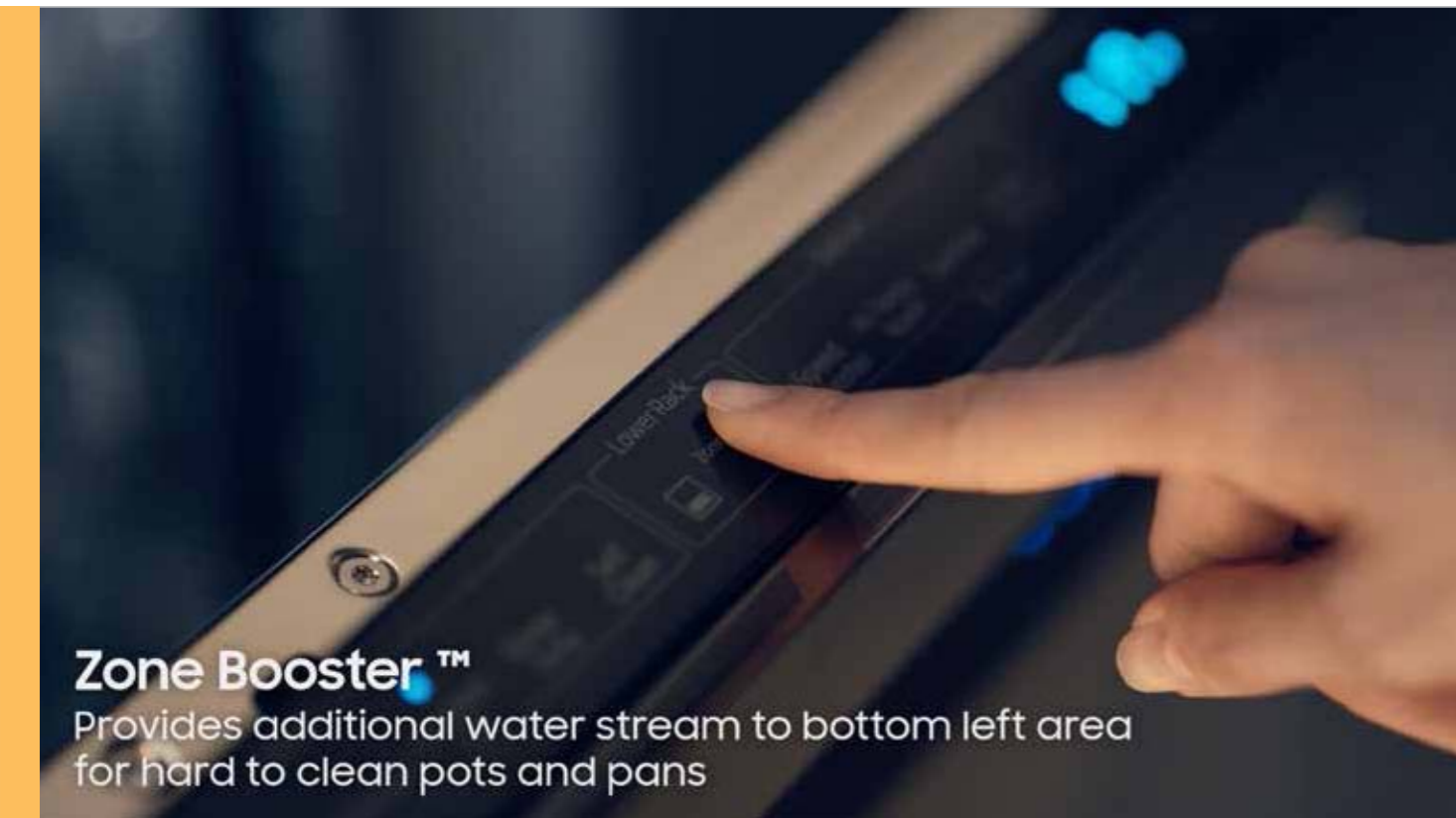
Linear Wash System



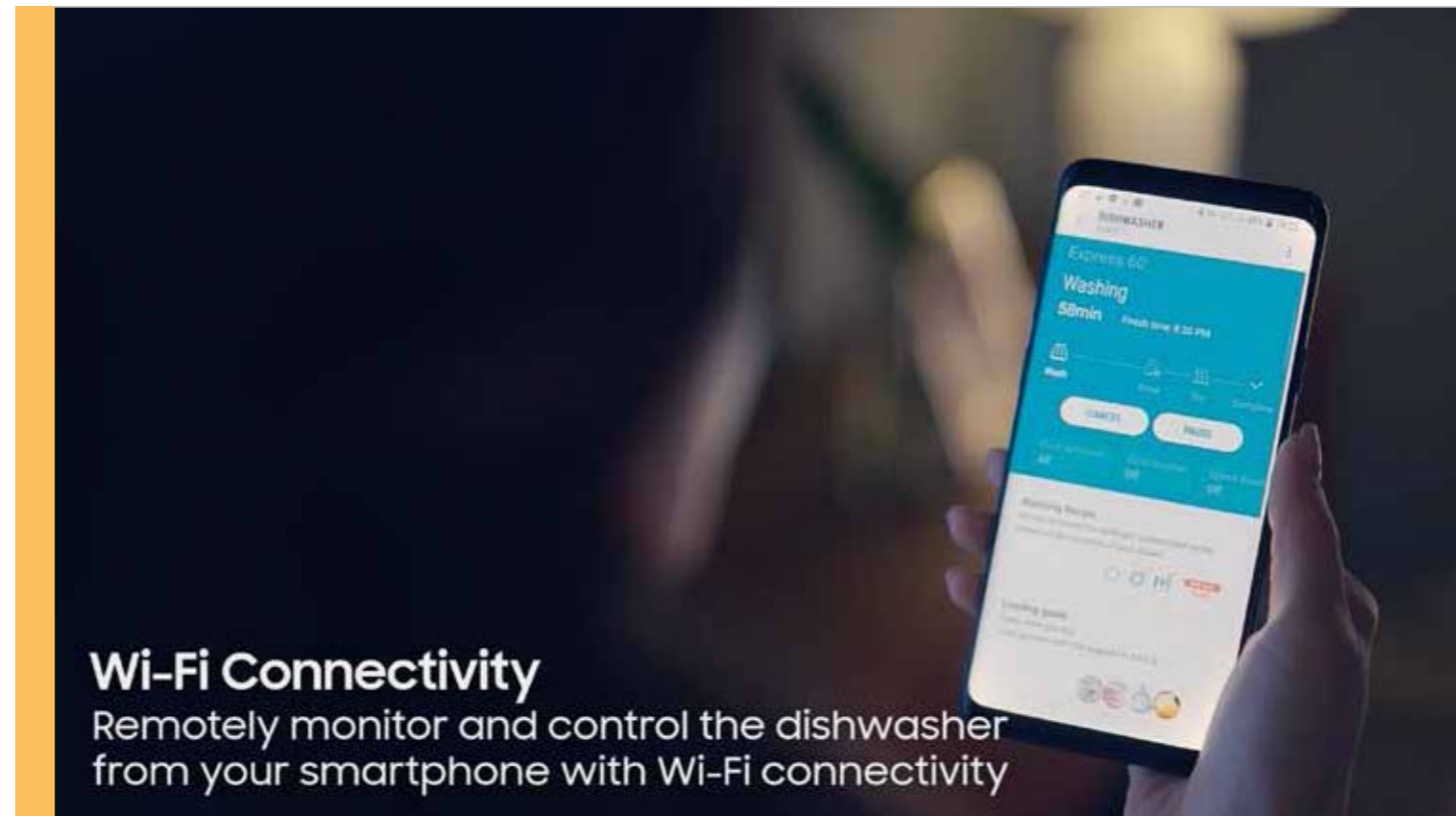
AutoRelease™ Door Dry



Flexible 3rd Rack



Zone Booster™



Wi-Fi

Lifestyle Images

Easy Ads link

<https://dam.gettyimages.com/p/z0c3461/external?o=AND&q=DW80R9950%20Bespoke%20Lifestyle%20Images>



Navy Steel - Gas Range



Tuscan Steel - Gas Range



Navy Steel - Electric Range



Tuscan Steel - Electric Range

Fact Tag Guidance

Please follow one of the below naming conventions for fact tags at retail, accounting for any potential character count limitations. Please also ensure that any feature list appearing on fact tags follows the Product Messaging hierarchy and copy noted in the Product Guide for each model.

DW80R9950

Long (More than 40 Characters)

Smart BESPOKE Linear Wash 39dBA Dishwasher

Medium (40 Characters or less)

Smart BESPOKE Linear Wash Dishwasher

Short (30 Characters or less)

Smart BESPOKE Dishwasher



Product Specs

**DW80R9950 – Smart BESPOKE Linear Wash
39dBA Dishwasher**

Related Products

COLOR	PRODUCT	MODEL
Fingerprint Resistant Navy Steel	29 cu. ft. Smart BESPOKE 4-Door Flex™ Refrigerator with Customizable Panel Colors	RF29A9675AP*
	23 cu. ft. Smart Counter Depth BESPOKE 4-Door Flex™ Refrigerator with Customizable Panel Colors	RF23A9675AP*
	BESPOKE 4-Door Flex™ Refrigerator Panel in Fingerprint Resistant Navy Steel - Top Panel	RA-F18DUUQN
	BESPOKE 4-Door Flex™ Refrigerator Panel in Fingerprint Resistant Navy Steel - Bottom Panel	RA-F18DBBQN
	6.3 cu. ft. Smart BESPOKE Slide-in Electric Range in Fingerprint Resistant Navy Steel	NE63A8711QN
	6.0 cu. ft. Smart BESPOKE Slide-in Gas Range in Fingerprint Resistant Navy Steel	NX60A8711QN
	2.1 cu. ft. Capacity BESPOKE Over-the-Range Microwave in Fingerprint Resistant Navy Steel	ME21*706B

COLOR	PRODUCT	MODEL
Fingerprint Resistant Tuscan Steel	29 cu. ft. Smart BESPOKE 4-Door Flex™ Refrigerator with Customizable Panel Colors	RF29A9675AP*
	23 cu. ft. Smart Counter Depth BESPOKE 4-Door Flex™ Refrigerator with Customizable Panel Colors	RF23A9675AP*
	BESPOKE 4-Door Flex™ Refrigerator Panel in Fingerprint Resistant Tuscan Steel - Top Panel	RA-F18DUUDT
	BESPOKE 4-Door Flex™ Refrigerator Panel in Fingerprint Resistant Tuscan Steel - Bottom Panel	RA-F18DBBDT
	6.3 cu. ft. Smart BESPOKE Slide-in Electric Range in Fingerprint Resistant Tuscan Steel	NE63T8711ST
	6.0 cu. ft. Smart BESPOKE Slide-in Gas Range in Fingerprint Resistant Tuscan Steel	NX60T8711ST
	2.1 cu. ft. Capacity BESPOKE Over-the-Range Microwave in Fingerprint Resistant Tuscan Steel	ME21A706BAT

Spec Sheet

Easy Ads link

<https://dam.gettyimages.com/p/z0c3461/external?o=AND&q=DW80R9950US%20Spec%20Sheet>

DW80R9950US

Samsung Linear Wash 39 dBA Dishwasher



SAMSUNG

Signature Features

Linear Wash System

- AquaBlast™ jets provide corner to corner coverage for superior cleaning.

Whisper Quiet Cleaning

- Less noise and less disturbance with virtually silent wash cycles at 39 dBA.

AutoRelease™ Door

- At the end of a cycle, the door automatically opens to circulate air and improve drying performance.

Available Colors

Standard Finishes

- Fingerprint Resistant Stainless Steel (shown)
- Fingerprint Resistant Black Stainless Steel

BESPOKE Finishes

- Fingerprint Resistant Tuscan Steel
- Fingerprint Resistant Navy Steel



Linear Wash System



AutoRelease™ Door

Features

- Flexible 3rd Rack
- Fingerprint Resistant Stainless Finish
- Zone Booster™
- Touch Control
- Quiet Operation: 39 dBA
- Wi-Fi Connectivity
- 7 Wash Cycles
- 8 Options
- Half-Load Cycle
- Express Cycle: 60 Minutes
- One-Touch Adjustable Racking System
- Full Stainless Steel Interior
- 15 Place Settings
- 3 Spray Wash Arms (Upper, Middle, Lower)

Convenience

- LED Time Display
- Control Lock
- Delay Start
- Digital Leak Sensor

Rating

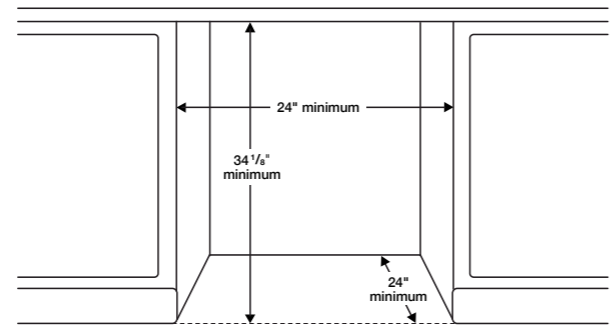
ENERGY STAR®-rated:
239 kWh/yr

DW80R9950US

Samsung Linear Wash 39 dBA Dishwasher

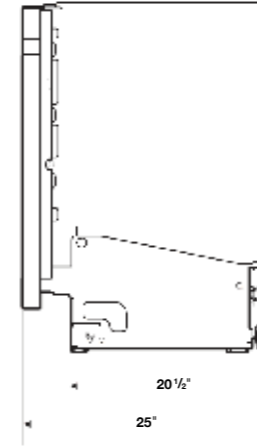
SAMSUNG

Installation Specifications

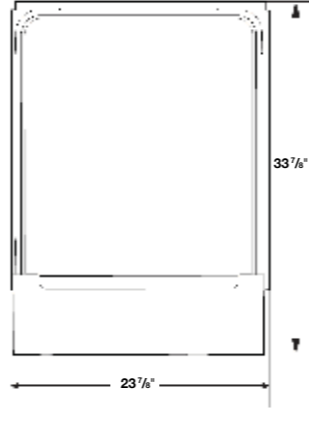


Dimensions

Side View



Rear View



Features

- 7 Wash Cycles: Auto, Normal, Heavy, Delicate, Express 60, Rinse Only, Self Clean
- 8 Options: Half-Load Wash (Lower Rack), Zone Booster™ (Left), Speed Booster, Hi-Temp Wash, Sanitize (Anti-bacterial – NSF), Delay Start, Control Lock, Smart Control (Wi-Fi App)
- AutoRelease™ Door
- Hidden Heat Element
- Stainless Steel Interior Tub

Convenience

- Control Lock
- Digital Water Leakage Sensor
- Flexible Third Rack
- One-Touch Adjustable Racking System
- Silverware Basket
- Upper Rack: Foldable Cup Shelves, 2 Adjustable Tines
- Lower Rack: Fold-Down Tines

Warranty

One (1) Year All Parts and Labor
Five (5) Year Limited on Printed Circuit Board and Interior Nylon Racks

Product Dimensions & Weight (WxHxD)
Dimensions (height is adjustable):
23 7/8" x 33 7/8" – 35" x 25"
Weight: 95 lbs

Shipping Dimensions & Weight (WxHxD)
Dimensions:
26" x 34 7/8" x 29 3/4"
Weight: 101 lbs

Standard Finishes	Model #	UPC Code
Fingerprint Resistant Stainless Steel	DW80R9950US	887276296647
Fingerprint Resistant Black Stainless Steel	DW80R9950UG	887276296623
BESPOKE Finishes		
Fingerprint Resistant Tuscan Steel	DW80R9950UT	887276320137
Fingerprint Resistant Navy Steel	DW80R9950QN	887276581798

Actual color may vary. Design, specifications, and color availability are subject to change without notice. Non-metric weights and measurements are approximate.
©2021 Samsung Electronics America, Inc., 85 Challenger Road, Ridgefield Park, NJ 07660. Tel: 800-SAMSUNG.samsung.com. Samsung is a registered trademark of Samsung Electronics Co., Ltd.

Spec Sheet - front

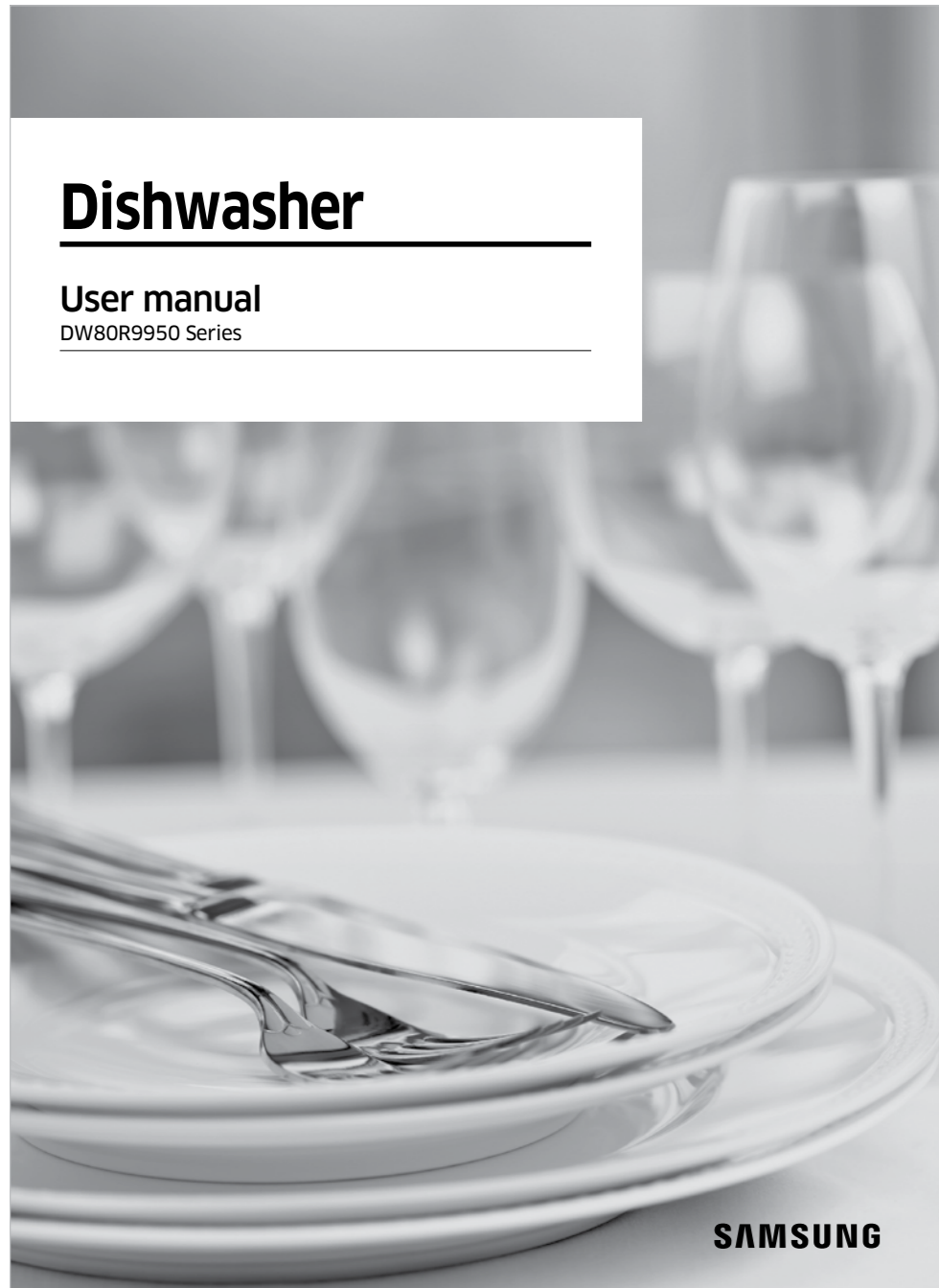
Spec Sheet - back

User Manual and Warranty Information

Easy Ads link

<https://dam.gettyimages.com/p/z0c3461/external?o=AND&q=DW80R9950%20User%20Manual>

<https://dam.gettyimages.com/p/z0c3461/external?o=AND&q=DW80R9950US%20Warranty>



User Manual

Warranty (USA)

SAMSUNG DISHWASHER
 LIMITED WARRANTY TO ORIGINAL PURCHASER WITH PROOF OF PURCHASE
 This SAMSUNG brand product, as supplied and distributed by SAMSUNG ELECTRONICS AMERICA, INC. (SAMSUNG) and delivered new, in the original carton to the original consumer purchaser, is warranted by SAMSUNG against manufacturing defects in materials or workmanship for the limited warranty period, starting from the date of original purchase, of:

One (1) year parts and labor
Five (5) years Linear Motion Parts*, Printed Circuit Board, Racking and Stainless Door Liner & Tub for leakage (Parts Only)
***Linear Motion Parts: Belt operating AC motor (Motor Geared), Belt V-Timing, Rail, Holder Rail (Front Up, Front Low)**

This limited warranty is valid only on products purchased and used in the United States that have been installed, operated, and maintained according to the instructions attached to or furnished with the product. To receive warranty service, the purchaser must contact SAMSUNG at the address or phone number provided below for problem determination and service procedures. Warranty service can only be performed by a SAMSUNG authorized service center. The original dated bill of sale must be presented upon request as proof of purchase to SAMSUNG or SAMSUNG's authorized service center to receive warranty service.

SAMSUNG will provide in-home service within the contiguous United States during the warranty period at no charge, subject to availability of SAMSUNG authorized servicers within the customer's geographic area. If in-home service is not available, SAMSUNG may elect, at its option, to provide transportation of the product to and from an authorized service center. If the product is located in an area where service by a SAMSUNG authorized servicer is not available, you may be responsible for a trip charge or required to bring the product to a SAMSUNG authorized service center for service.

To receive in-home service, product must be unobstructed and accessible to the service agent. During the applicable warranty period, a product will be repaired, replaced, or the purchase price refunded, at the sole option of SAMSUNG. SAMSUNG may use new or reconditioned parts in repairing a product, or replace the product with a new or reconditioned product. Replacement parts and products are warranted for the remaining portion of the original product's warranty or ninety (90) days, whichever is longer. All replaced parts and products are the property of SAMSUNG and you must return them to SAMSUNG.

This limited warranty covers manufacturing defects in materials or workmanship encountered in normal household, noncommercial use of this product and shall not cover the following: damage that occurs in shipment, delivery, installation, and uses for which this product was not intended; damage caused by unauthorized modification or alteration of the product; product where the original factory serial numbers have been removed, defaced, changed in any way, or cannot be readily determined; cosmetic damage including scratches, dents, chips, and other damage to the product's finishes; damage caused by abuse, misuse, pest infestations, accident, fire, floods, or other acts of nature or God; damage caused by use of equipment, utilities, services, parts, supplies, accessories, applications, installations, repairs, external wiring or connectors not supplied or authorized by SAMSUNG; damage caused by incorrect electrical line current, voltage, fluctuations and surges; damage caused by failure to operate and maintain the product according to instructions; in-home instruction on how to use your product; and service to correct installation not in accordance with electrical or plumbing codes or correction of household electrical or plumbing (i.e., house wiring, fuses, or water inlet hoses).

Warranty

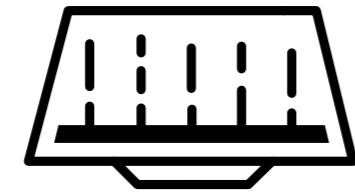
Feature Icons

**DW80R9950 – Smart BESPOKE Linear Wash
39dBA Dishwasher**

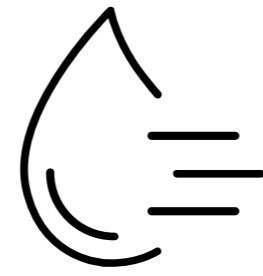
Feature Icons

Easy Ads link

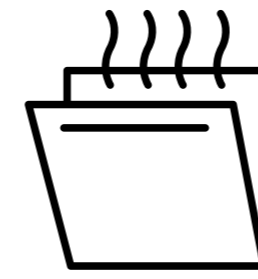
<https://dam.gettyimages.com/p/z0c3461?o=AND&q=DW80R9950%20Icons>



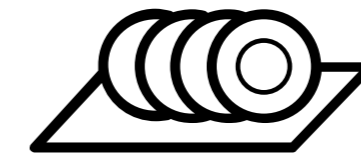
Linear Wash



Aqua Blast™



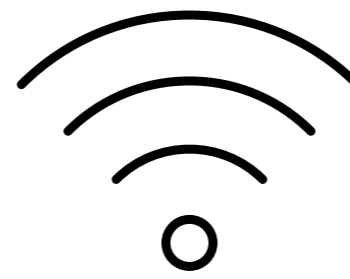
AutoRelease™
Door Drying



Flexible 3rd Rack



Zone Booster™



Wi-Fi



ENERGY STAR®
Certified

SAMSUNG