

MICROWAVE OVEN HOOD COMBINATION OWNER'S MANUAL

MANUEL DE L'UTILISATEUR DE L'ENSEMBLE FOUR À MICRO-ONDES/HOTTE

Table of Contents/Table des matières

MICROWAVE OVEN SAFETY	2	SÉCURITÉ DU FOUR À MICRO-ONDES	20
Microwave Oven Safety	2	Sécurité du four à micro-ondes	20
Internet Connectivity Guide for Connected Appliances Only	3	Guide de connexion Internet pour les appareils connectés uniquement	22
FCC Caution.....	4	Mise en garde FCC	23
MICROWAVE OVEN MAINTENANCE AND CARE	5	ENTRETIEN ET RÉPARATION DU FOUR À MICRO-ONDES	24
General Cleaning	5	Nettoyage général.....	24
INSTALLATION INSTRUCTIONS	5	INSTRUCTIONS D'INSTALLATION	24
REQUIREMENTS	5	EXIGENCES	24
Tools and Parts	5	Outils et pièces.....	24
Parts Supplied.....	6	Pièces fournies.....	25
Location Requirements	8	Exigences d'emplacement	27
Product Dimensions	8	Dimensions du produit	27
Installation Dimensions	8	Dimensions d'installation	27
Electrical Requirements	9	Spécifications électriques	28
PREPARE MICROWAVE OVEN HOOD	9	PRÉPARATION DU FOUR À MICRO-ONDES AVEC HOTTE	28
Prepare Microwave Oven Hood Combination.....	9	Préparation de l'ensemble four à micro-ondes/hotte	28
Installation Types.....	9	Type d'installation	28
INSTALLATION INSTRUCTIONS	10	INSTRUCTIONS D'INSTALLATION	29
Install Damper (For Wall Venting)	10	Installation du clapet antiretour (pour une évacuation par le mur).....	30
Install Damper (For Roof Venting).....	10	Installation du clapet antiretour (pour une évacuation par le toit).....	30
Install Vent Cover (For Wall and Roof Venting).....	11	Installation des cache-conduits (pour l'évacuation par le mur ou le toit).....	31
Find the Wall Stud(s)	12	Trouver les montants de cloison.....	31
Mark Upper Cabinet	13	Maque pour l'armoire supérieure.....	33
Mark Rear Wall.....	14	Marque sur le mur arrière	34
Drill holes in Upper Cabinet.....	14	Percer les trous dans l'armoire supérieure.....	34
Drill holes in Rear Wall	15	Perçage de trous dans le mur arrière.....	35
Attach Mounting Plate to Wall	15	Fixation de la plaque de montage au mur	36
Install the Microwave Oven	16	Installation du four à micro-ondes	37
Complete Installation	17	Achever l'installation.....	38
VENTING DESIGN SPECIFICATIONS	18	SPÉCIFICATIONS/CONCEPTION DU CIRCUIT D'ÉVACUATION	38

IMPORTANT:

Save for local electrical inspector's use.

IMPORTANT :

Conserver ces instructions à l'usage de l'inspecteur des installations
électriques local.



W11702686A

MICROWAVE OVEN SAFETY

Your safety and the safety of others are very important.

We have provided many important safety messages in this manual and on your appliance. Always read and obey all safety messages.



This is the safety alert symbol.

This symbol alerts you to potential hazards that can kill or hurt you and others.

All safety messages will follow the safety alert symbol and either the word "DANGER" or "WARNING." These words mean:

▲ DANGER

You can be killed or seriously injured if you don't immediately follow instructions.

▲ WARNING

You can be killed or seriously injured if you don't follow instructions.

All safety messages will tell you what the potential hazard is, tell you how to reduce the chance of injury, and tell you what can happen if the instructions are not followed.

IMPORTANT SAFETY INSTRUCTIONS

When using electrical appliances basic safety precautions should be followed, including the following:

WARNING: To reduce the risk of burns, electric shock, fire, injury to persons, or exposure to excessive microwave energy:

- Read all instructions before using the appliance.
- Read and follow the specific "PRECAUTIONS TO AVOID POSSIBLE EXPOSURE TO EXCESSIVE MICROWAVE ENERGY" found in this manual.
- This appliance must be grounded. Connect only to properly grounded outlet. See "GROUNDING INSTRUCTIONS" found in this section.
- Install or locate this appliance only in accordance with the provided Installation Instructions.
- Some products such as whole eggs and sealed containers - for example, closed glass jars - are able to explode and should not be heated in this oven.
- Use this appliance only for its intended use as described in the manual. Do not use corrosive chemicals or vapors in this appliance. This type of oven is specifically designed to heat, cook, or dry food. It is not designed for industrial or laboratory use.
- **HOT CONTENTS CAN CAUSE SEVERE BURNS. DO NOT ALLOW CHILDREN TO USE THE MICROWAVE.** Use caution when removing hot items.
- Do not operate this appliance if it has a damaged cord or plug, if it is not working properly, or if it has been damaged or dropped.
- This appliance should be serviced only by qualified service personnel. Contact nearest authorized service facility for examination, repair, or adjustment.
- Do not cover or block any openings on the appliance.
- Do not store this appliance outdoors. Do not use this product near water – for example, near a kitchen sink, in a wet basement, near a swimming pool, or similar locations.
- Do not immerse cord or plug in water.
- Keep cord away from heated surfaces.
- Do not let cord hang over edge of table or counter.
- Do not use replacement parts that have not been recommended by the manufacturer (e.g. parts made at home using a 3D printer).
- See door surface cleaning instructions in the "Microwave Oven Maintenance and Care" section.
- Liquids, such as water, coffee, or tea are able to be overheated beyond the boiling point without appearing to be boiling. Visible bubbling or boiling when the container is removed from the microwave oven is not always present. **THIS COULD RESULT IN VERY HOT LIQUIDS SUDDENLY BOILING OVER WHEN THE CONTAINER IS DISTURBED OR A UTENSIL IS INSERTED INTO THE LIQUID.**
- Do not operate any heating or cooking appliance beneath this appliance.
- Do not mount unit over or near any portion of a heating or cooking appliance.
- Do not mount over a sink.
- Do not store anything directly on top of the appliance surface when the appliance is in operation.
- Clean Ventilating Hoods Frequently - Grease should not be allowed to accumulate on hood or filter.
- When flaming foods under the hood, turn the fan on.
- Suitable for use above both gas and electric cooking equipment.
- Intended to be used above ranges with maximum width of 36" (91.44 cm).
- Use care when cleaning the vent-hood filter. Corrosive cleaning agents, such as lye-based oven cleaners, may damage the filter.

SAVE THESE INSTRUCTIONS

When using electrical appliances basic safety precautions should be followed, including the following:

WARNING: To reduce the risk of burns, electric shock, fire, injury to persons, or exposure to excessive microwave energy:

- To reduce the risk of fire in the oven cavity:
 - Do not overcook food. Carefully attend appliance when paper, plastic, or other combustible materials are placed inside the oven to facilitate cooking.
 - Remove wire twist-ties from paper or plastic bags before placing bag in oven.
- If materials inside the oven ignite, keep oven door closed, turn oven off, and disconnect the power cord, or shut off power at the fuse or circuit breaker panel.
- Do not use the cavity for storage purposes. Do not leave paper products, cooking utensils, or food in the cavity when not in use.

SAVE THESE INSTRUCTIONS

PRECAUTIONS TO AVOID POSSIBLE EXPOSURE TO EXCESSIVE MICROWAVE ENERGY

- (a) Do not attempt to operate this oven with the door open since open-door operation can result in harmful exposure to microwave energy. It is important not to defeat or tamper with the safety interlocks.
- (b) Do not place any object between the oven front face and the door or allow soil or cleaner residue to accumulate on sealing surfaces.
- (c) Do not operate the oven if it is damaged. It is particularly important that the oven door close properly and that there is no damage to the:
 - (1) Door (bent),
 - (2) Hinges and latches (broken or loosened),
 - (3) Door seals and sealing surfaces
- (d) The oven should not be adjusted or repaired by anyone except properly qualified service personnel.

Internet Connectivity Guide for Connected Appliances Only

IMPORTANT: Proper installation of your appliance prior to use is your responsibility. Be sure to read and follow the installation instructions that came with your appliance.

Connectivity requires Wi-Fi and account creation. App features and functionality are subject to change. Data rates may apply. Once installed, launch the app. You will be guided through the steps to set up a user account and to connect your appliance.

You Will Need:

- A home wireless router supporting Wi-Fi, 2.4 Ghz with WPA2 security. If you are unsure of your router's capabilities, refer to the router manufacturer's instructions.
- The router to be on and have a live internet connection.
- The 10-character SAID code for your appliance. The SAID code is either printed on a label on the appliance or found on the LCD screen.

Federal Communications Commission (FCC) Compliance Notice

This device complies with Part 15 of the FCC Rules. Operation is subject to the following two conditions:

1. This device may not cause harmful interference, and
2. This device must accept any interference received, including interference that may cause undesired operation.

Changes or modifications not expressly approved by the party responsible for compliance could void the user's authority to operate the equipment.

Industry Canada (IC) Compliance Notice

This Device complies with Industry Canada License-exempt RSS standard(s). Operation is subject to the following two conditions:

1. This device may not cause interference.
2. This device must accept any interference, including interference that may cause undesired operation of the device.

Under Industry Canada regulations, this radio transmitter may only operate using an antenna of a type and maximum (or lesser) gain approved for the transmitter by Industry Canada. To reduce potential radio interference to other users, the antenna type and its gain should be so chosen that the equivalent isotropically radiated power (e.i.r.p.) is not more than that necessary for successful communication.

To comply with FCC and Industry Canada RF radiation exposure limits for general population, antenna(s) used for this transmitter must be installed such that a minimum separation distance of 20 cm is maintained between the radiator (antenna) and all persons at all times and must not be co-located or operating in conjunction with any other antenna or transmitter.

If this equipment does cause harmful interference to radio or television reception, which can be determined by turning the equipment off and on, the user is encouraged to try to correct the interference by one of the following measures:

- Reorient or relocate the receiving antenna.
- Increase the separation between the equipment and receiver.
- Connect the equipment into an outlet on a circuit different from that to which the receiver is connected.
- Consult the dealer or an experienced radio/TV technician for help.

FCC Caution

- Changes or modifications not expressly approved by Whirlpool Corporation could void the user's authority to operate the equipment.
- The antenna(s) used for this transmitter must be installed such that a minimum separation distance of 20 cm is maintained between radiator (antenna) and all persons at all times and must not be co-located or operating in conjunction with any other antenna or transmitter.

Part 15B compliance statements for digital devices:

NOTE: This equipment has been tested and found to comply with the limits for a Class B digital device, pursuant to Part 15 of the FCC Rules. These limits are designed to provide reasonable protection against harmful interference in a residential installation. This equipment generates; uses and can radiate radio frequency energy and, if not installed and used in accordance with the instructions, may cause harmful interference to radio communications. However, there is no guarantee that interference will not occur in a particular installation. If this equipment does cause harmful interference to radio or television reception, which can be determined by turning the equipment off and on, the user is encouraged to try to correct the interference by one of the following measures:

- Reorient or relocate the receiving antenna.
- Increase the separation between the equipment and receiver.
- Connect the equipment into an outlet on a circuit different from that to which the receiver is connected.
- Consult the dealer or an experienced radio/TV technician for help.

The user manual for the end product must include the following information in a prominent location Instruction:

"To comply with FCC RF radiation exposure limits for general population, the antenna(s) used for this transmitter must be installed such that a minimum separation distance of 20 cm is maintained between the radiator (antenna) and all persons at all times and must not be co-located or operating in conjunction with any other antenna or transmitter."

OEM Responsibilities to comply with FCC Regulations

The rebel UI Modules have been certified for integration into products only by OEM integrators under the following conditions:

1. The antenna(s) must be installed such that a minimum separation distance 20 cm is maintained between the radiator (antenna) and all persons at all times.
2. The transmitter module must not be co-located or operating in conjunction with any other antenna or transmitter.

As long as the two conditions above are met, further transmitter testing will not be required. However, the OEM integrator is still responsible for testing their end-product for any additional compliance requirements required with this module installed (for example, digital device emissions, PC peripheral requirements, etc.)

IMPORTANT: In the event that these conditions cannot be met (for certain configurations or co-location with another transmitter), then the FCC authorizations are no longer considered valid and the FCC ID cannot be used on the final product. In these circumstances, the OEM integrator will be responsible for re-evaluating the end product (including the transmitter) and obtaining a separate FCC authorization.

End Product Labelling

This module is labelled with an FCC ID. If the FCC ID is not visible when the module is installed inside another device, then the outside of the device into which the module is installed must also display a label referring to the enclosed module. In that case, the final end product must be labelled in a visible area or display the following:

"Contains FCC ID: 2AC7Z-RIGEL"

The OEM of this module must only use the approved antenna(s), which have been certified with this module. The OEM integrator has to be aware not to provide information to the end user regarding how to install or remove this RF module or change RF related parameters in the user manual of the end product.

MICROWAVE OVEN MAINTENANCE AND CARE

General Cleaning

IMPORTANT: Before cleaning, make sure all controls are off and the microwave oven is cool. Always follow label instructions on cleaning products.

Soap, water, and a soft cloth or sponge are suggested first, unless otherwise noted.

STAINLESS STEEL AND BLACK STAINLESS STEEL (on some models)

NOTE: To avoid damage to stainless steel surfaces, do not use soap-filled scouring pads, abrasive cleaners, Cooktop Cleaner, steel-wool pads, gritty washcloths, or abrasive paper towels. Damage may occur to stainless steel surfaces, even with one-time or limited use.

Rub in direction of grain to avoid damaging.

Cleaning Method:

- Affresh®+ Stainless Steel Cleaners Part Number W10355016 (not included) or affresh® Stainless Steel Cleaning Wipes Part Number W1055049 (not included): See the Quick Start Guide for ordering information.
- Vinegar for hard water spots.

MICROWAVE OVEN DOOR EXTERIOR

Cleaning Method:

- Glass cleaner and a soft cloth or sponge: Apply glass cleaner to soft cloth or sponge, not directly on panel.
- Affresh® Kitchen Appliance Cleaners Part Number W10355010 (not included): See "Online Ordering Information" section from Quick Start Guide to order.

NONSTICK CAVITY COATING (on some models)

To avoid damage to the microwave oven cavity, do not use metal or sharp utensils or scrapers or any type of abrasive cleanser or scrubbers.

MICROWAVE OVEN CAVITY

To avoid damage to the microwave oven cavity, do not use soap-filled scouring pads, abrasive cleaners, steel-wool pads, gritty washcloths, or some paper towels.

On stainless steel models, rub in direction of grain to avoid damaging.

The area where the microwave oven door and frame touch when closed should be kept clean.

Cleaning Method:

Average soil

- Mild, nonabrasive soaps and detergents:
Rinse with clean water and dry with soft, lint-free cloth.

Heavy soil

- Mild, nonabrasive soaps and detergents:
Heat 1 cup (250 mL) of water for 2 to 5 minutes in microwave oven. Steam will soften soil. Rinse with clean water and dry with soft, lint-free cloth.

Odors

- Lemon juice or vinegar:
Heat 1 cup (250 mL) of water with 1 tablespoon (15 mL) of either lemon juice or vinegar for 2 to 5 minutes in microwave oven.

Grease Filters

- Mild cleanser and scouring pad
- Dishwasher

INSTALLATION INSTRUCTIONS REQUIREMENTS

Tools and Parts

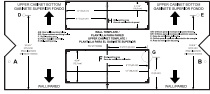
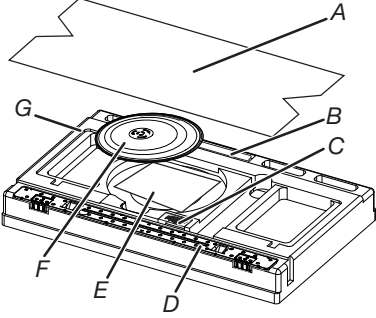








Tools Needed


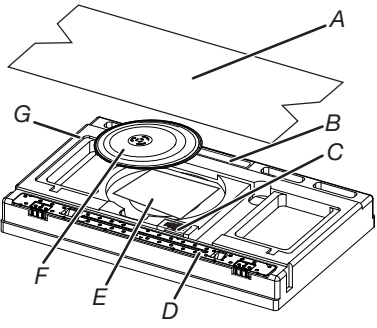
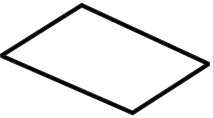


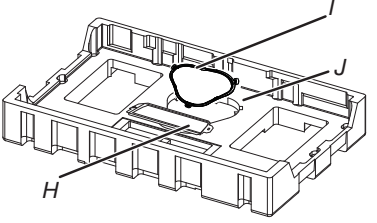

- Measuring tape
- Pencil
- Scissors
- Masking tape or thumbtacks
- Drill
- No. 2 Phillips screwdriver
- Stud finder
- No. 3 Phillips screwdriver for 1/4 - 20 x 3" (76 mm) bolts
- 3/16" (5 mm), 3/8" (10 mm), 5/8" (16 mm) drill bits
- 3/4" (19 mm) hole saw
- Keyhole saw
- Diagonal wire cutting pliers
- 7/16" (11 mm) socket wrench (or box wrench) for 1/4" x 2" (6.4 mm x 51 mm) lag screws
- 1 1/2" (38 mm) diameter hole drill bit for wood or metal cabinet
- Caulking gun and weatherproof caulking compound
- Duct tape

Materials Needed

- Standard fittings for wall or roof venting. See the "Venting Design Specifications" section.

Parts Supplied

Part	Drawing	Description	Qty	Where can find?
A. Cardboard Plate		Upper cabinet template and Wall template	1	 <p> <i>A. Cardboard plate</i> <i>B. Exhaust vent covers</i> <i>C. Screw pack</i> <i>D. Mounting plate</i> <i>E. Literature pack</i> <i>F. Glass turntable</i> <i>G. Upper foam in the carton box</i> </p>
B. Exhaust vent cover		Exhaust vent cover for wall or roof venting	2	
C. Screw Pack		3/16-24 x 3" round-head bolts	2	
		1/4-20 x 3" flat-head bolts	2	
		Washers	2	
		3/16" toggle nuts	2	
		1/4" x 2" lag screws	2	
		#6 x 3/8" Sheet metal screws	2	
		Power supply cord bushing	1	

D. Mounting Pate		Mounting plate	1	 <p><i>D. Mounting plate</i> <i>E. Literature pack</i> <i>F. Glass turntable</i> <i>G. Upper foam in the carton box</i></p>
E. Literature Pack		Literature	1	
F. Glass Turntable		305 Glass turntable	1	
H. Damper		Damper for wall or roof venting	1	 <p><i>H. Damper</i> <i>I. Turntable support ring</i> <i>J. Bottom foam in the carton box</i></p>
I. Turntable support ring		Turntable support ring	1	

Check local codes. Check existing electrical supply. See "Electrical Requirements".

It is recommended that all electrical connections be made by a licensed, qualified electrical installer.

NOTE:

- The hardware items listed here are for wood studs. For other types of wall structures, be sure to use appropriate fasteners.
- Be sure to purchase only Whirlpool factory-certified parts and accessories for your appliance. Your installation may require additional parts. To order, see the "Online Ordering Information" section of the Quick Start Guide.

Location Requirements

Check the opening where the microwave oven will be installed. The location must provide:

- Minimum installation dimensions. See the "Installation Dimensions" illustration.
- Minimum one 2" x 4" (5.1 x 10.2 cm) wood wall stud and minimum 3/8" (1 cm) thickness drywall or plaster/lath within cabinet opening.
- Support for weight of 150 lbs (68 kg) which includes microwave oven and items placed inside the microwave oven and upper cabinet.
- Grounded electrical outlet inside upper cabinet. See the "Electrical Requirements" section.

NOTE:

- Some models have a pocket handle. If installing the microwave near a right side wall, make sure there is at least 3" (7.6 cm) of clearance between wall and microwave oven so you can grab the handle integrated inside the door.
- Some cabinet and building materials are not designed to withstand the heat produced by the microwave oven for cooking. Check with your builder or cabinet supplier to make sure that the materials used will not discolor, delaminate, or sustain other damages.

Special Requirements

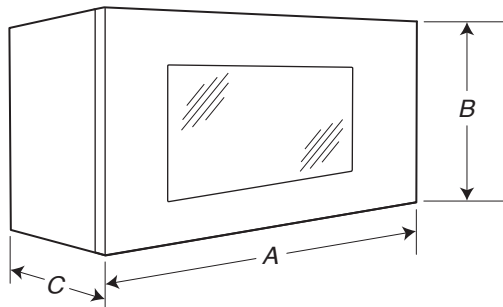
For Wall Venting Installation Only:

- Cutout must be free of any obstructions so that the vent fit properly and the damper blade opens freely and fully.

For Roof Venting Installation Only:

- If you are using a rectangular-to-round transition piece, the 3" (7.6 cm) clearance needs to exist above the microwave oven so that the damper blade can open freely and fully. See "Rectangular to Round Transition" illustration in the "Venting Design Specifications" section.

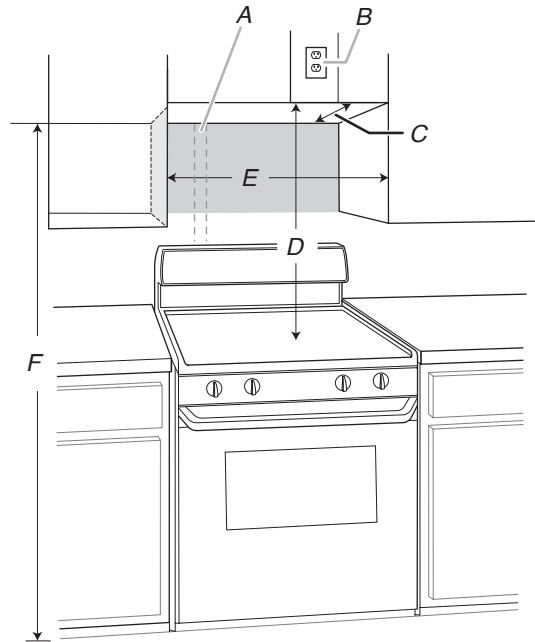
Product Dimensions



- A. 29⁷/₈" (76 cm)
- B. 10⁵/₁₆" (26.2 cm)
- C. 18¹/₂" (46.9 cm)

Installation Dimensions

NOTE: The grounded 3 prong outlet must be inside the upper cabinet. See the "Electrical Requirements" section.

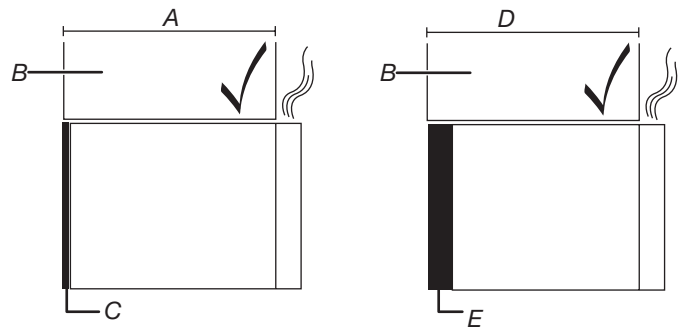


- A. 2" x 4" (5.1 cm x 10.2 cm) wall stud
- B. Grounded 3 prong outlet
- C. 12" (30.5 cm) minimum, 14" (35.6 cm) maximum*
- D. 24" (61 cm) typical**
- E. 30" (76.2 cm) minimum
- F. 60" (152.4 cm) minimum

Exact dimensions may vary depending on type of range/cooktop below.

Upper cabinet and side cabinet depth: 12" (30.5 cm) minimum, 14" (35.6 cm) maximum

**24" (61 cm) is typical for 60" (152.4 cm) installation height.



- A. 12" (30.5 cm) to 14" (35.6 cm) depth of cabinet
- B. Cabinet
- C. Mounting plate
- D. 14" (35.6 cm) to 15" (38.1 cm) depth of cabinet
- E. Bump out mounting kit

NOTE: To ensure good performance, do not obstruct top vent airflow. If cabinets are larger than 14" (35.6 cm) but no more than 15" (38.1 cm), use the bump out mounting kit replacing the mounting plate from the wall. The bump out mounting kit (part # W11185746) is not provided but can be purchased from Whirlpool.

To order, see the "Online Ordering Information" section of the Quick Start Guide.

For cabinets with other dimension's, we suggest selecting other Whirlpool Products.

Electrical Requirements

⚠WARNING



Electrical Shock Hazard

Plug into a grounded 3 prong outlet.

Do not remove ground prong.

Do not use an adapter.

Do not use an extension cord.

Failure to follow these instructions can result in death, fire, or electrical shock.

Observe all governing codes and ordinances.

Required:

- A 120 V, 60 Hz, AC only, 15 or 20 A electrical supply with a fuse or circuit breaker.

Recommended:

- A time-delay fuse or time-delay circuit breaker.
- A separate circuit serving only this microwave oven.

GROUNDING INSTRUCTIONS

For a grounded, cord-connected appliance:

This appliance must be grounded. In the event of a malfunction or breakdown, grounding will reduce the risk of electric shock by providing a path of least resistance for electric current. This appliance is equipped with a cord having an equipment-grounding conductor and a grounding plug. The plug must be plugged into an appropriate outlet that is properly installed and grounded in accordance with all local codes and ordinances.

WARNING: Improper connection of the equipment-grounding conductor can result in a risk of electric shock. Check with a qualified electrician or serviceman if you are in doubt as to whether the appliance is properly grounded. Do not modify the plug provided with the appliance: if it will not fit the outlet, have a proper outlet installed by a qualified electrician.

SAVE THESE INSTRUCTIONS

This device complies with Industry Canada ICES-001.

PREPARE MICROWAVE OVEN HOOD

Prepare Microwave Oven Hood Combination

⚠WARNING

Excessive Weight Hazard

Use two or more people to move and install or uninstall appliance.

Failure to do so can result in back or other injury.

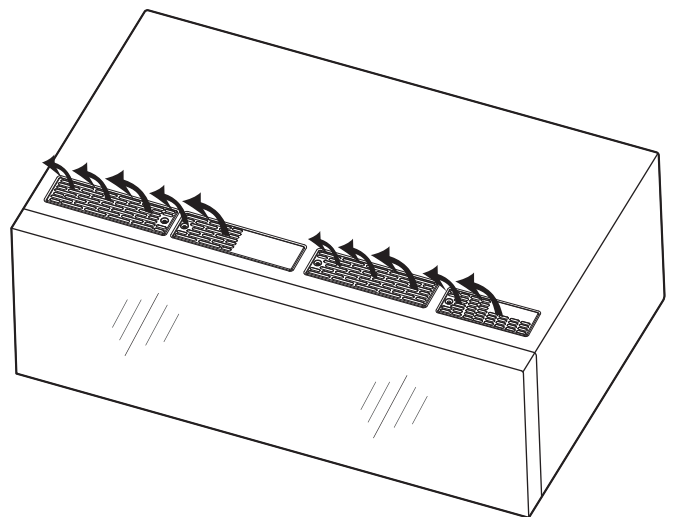
1. To avoid possible damage to the work surface, cover the work surface.
2. Remove cardboard plate from the outer foam in the carton. It is for upper-cabinet and wall installation.
3. Remove exhaust vent covers from the upper foam in the carton, they are used for upper-cabinet and wall installation.
4. Remove the screw pack from the upper foam in the carton.
5. Remove the literature pack from the upper foam in the carton.
6. Remove shipping materials, tape and film from microwave.
7. Remove the mounting plate from the upper foam in the carton.
8. Remove glass turntable from the upper foam in the carton.
9. Remove the damper from the bottom foam in the carton.
10. Remove the turntable support ring from the bottom foam in the carton.
11. Tape the microwave oven door closed so that the door does not swing open while the microwave oven is being handled.

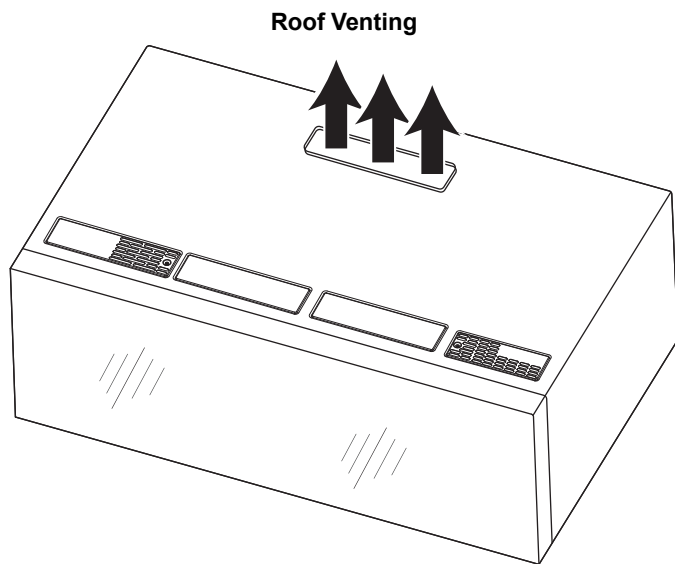
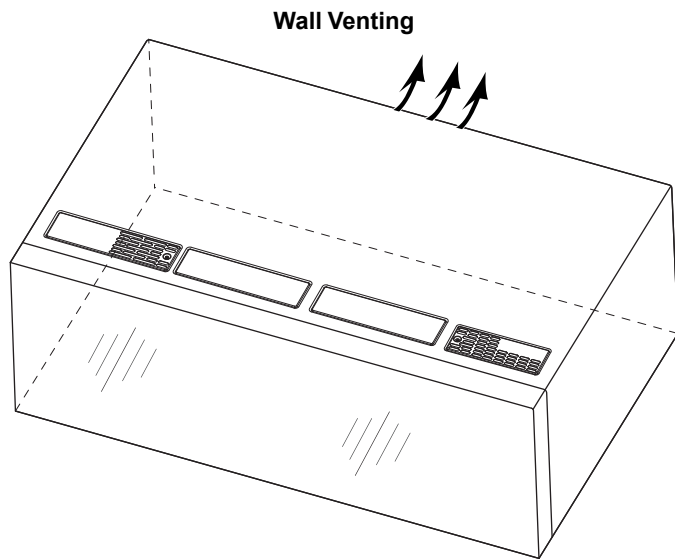
Installation Types

This microwave oven is designed for adaptation to the following three types of ventilation, choose one type before installation.

NOTE: For roof venting and wall venting, charcoal filter is not necessary, uninstall the charcoal filter before use. See the "Complete Installation" section for details.

Recirculation (Factory Default Setting)

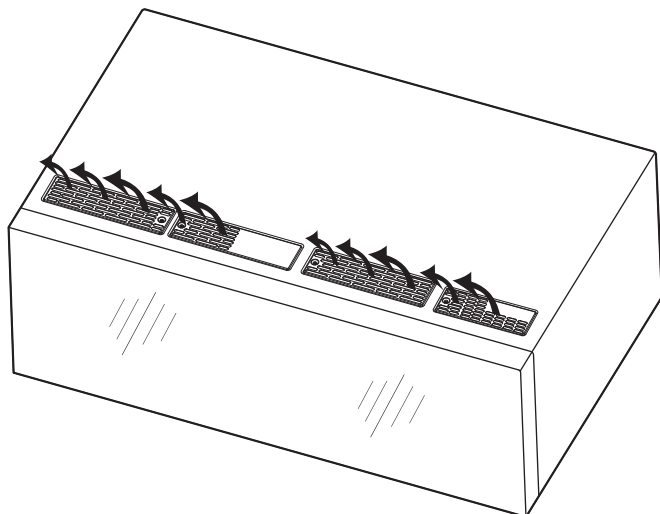




INSTALLATION INSTRUCTIONS

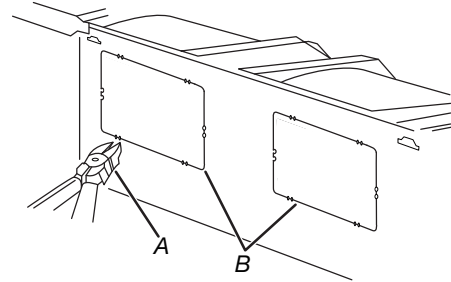
The Microwave oven is set for recirculation installation. For wall or roof venting, changes must be made to the venting system.

NOTE: Skip below sections if you are using recirculation installations. Go to section "Locate Wall Stud(s)". Keep the damper assembly in case the venting method is changed or the microwave oven is reinstalled in another location where wall or roof venting may be used.



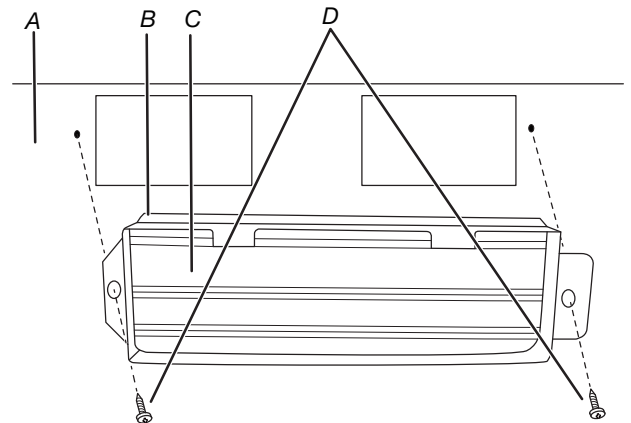
Install Damper (For Wall Venting)

1. Using diagonal wire cutting pliers, gently snip out the rectangular vent cover on the damper plate.



A. Diagonal wire cutting pliers
B. Damper vent covers

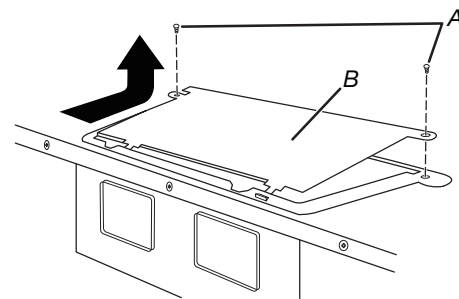
2. Find the damper in outer foam in the carton.
3. Check that damper blade moves freely, and opens fully.
4. Position the damper assembly on the back of the microwave oven so that the damper blade hinge is at the top, and the damper blade opens away from the microwave oven.
5. Secure damper assembly with two #6 x 3/8" Sheet metal screws, see above illustration.



A. Back of microwave oven
B. Damper assembly
C. Damper blade
D. #6 x 3/8" Sheet metal screws (in the screw pack)

Install Damper (For Roof Venting)

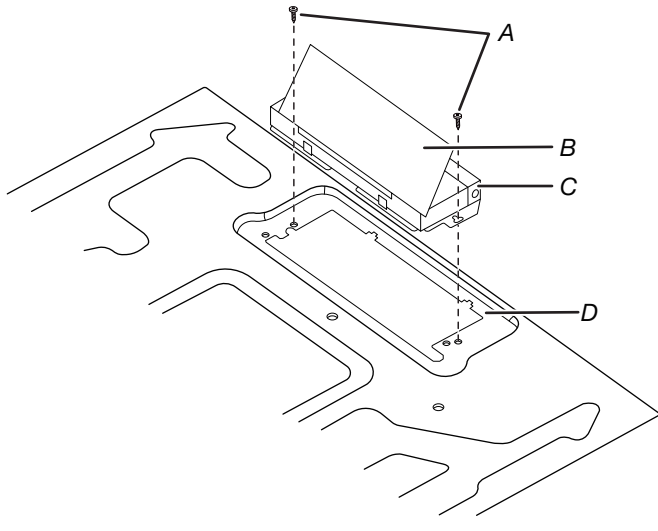
1. Remove screws attaching damper plate to top of microwave oven exterior. Slide damper plate toward the front of the microwave oven and lift up.



A. Screws
B. Damper plate

2. Find the damper in outer foam in the carton.
3. Check that damper blade moves freely, and opens fully.

4. Position the damper assembly on the back of the microwave oven so that the damper blade hinge is at the top, and the damper blade opens away from the microwave oven.
5. Secure damper assembly with two #6 x 3/8" Sheet metal screws, see above illustration.

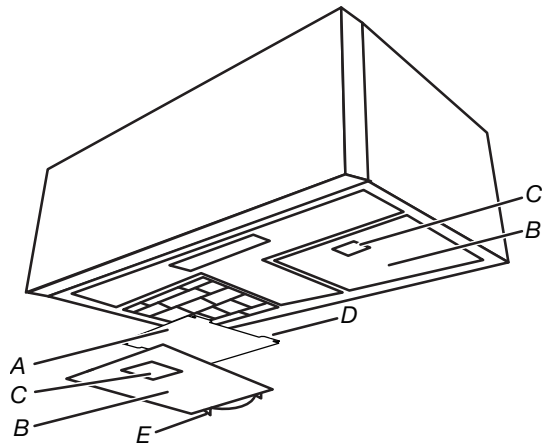


- A. #6 x 3/8" Sheet metal screws (in the screw pack)
- B. Damper blade
- C. Damper assembly
- D. Top of the microwave oven

NOTE: To ensure good performance of airflow, for Wall and Roof venting, remove the charcoal(s) filter from the bottom plate before operating the microwave oven.

To uninstall the charcoal filter:

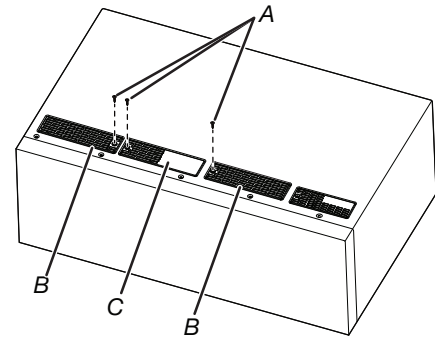
- a. Disconnect power.
- b. Remove the grease filter by pushing finger grips back and then pull down charcoal filters from the bottom plate and keep for future use.
- c. Put the grease filter back into the bottom plate and the spring toward the back. Push the finger grips back, until the two tongues are in position.



- A. Charcoal filter(s)
- B. Grease filter(s)
- C. Finger grip(s)
- D. Charcoal filter hooks
- E. Grease filter spring

Install Vent Cover (For Wall and Roof Venting)

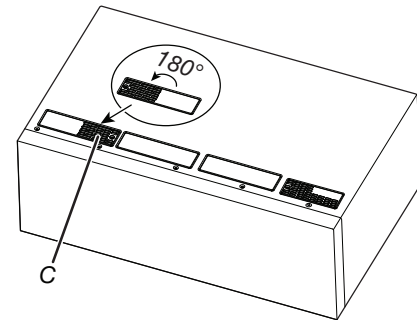
1. Remove screws attaching B and C cover. Slide them out. Keep C for step 2 use.



- A. Screws
- B. Recirculation vent covers
- C. Recirculation lighting cover

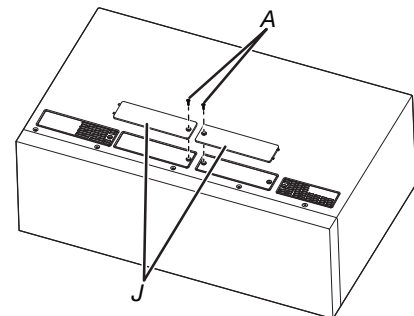
NOTE: Keep B for future recirculation vent installation.

2. Rotate C 180 degrees, place it as shown below.



- C. Recirculation lighting cover

3. Take J from packaging upper foam (see item J in "Parts Supplied" section), attach both of them as shown below with screw removed from step 1.



- A. Screws
- J. Exhaust vent covers

Find the Wall Stud(s)

NOTE: If no wall studs exist within the cabinet opening, do not install the microwave oven.

See illustrations in "Possible Wall Stud Configurations."

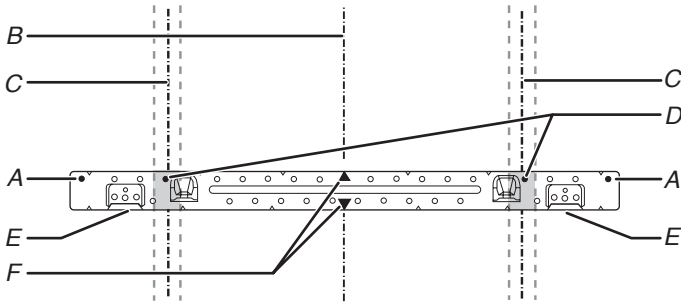
1. Using a stud finder, locate the edges of the wall stud(s) within the opening.
2. Mark the center of each stud, and draw a plumb line down each stud center. See illustrations in "Possible Wall Stud Configurations."

Possible Wall Stud Configurations

These depictions show examples of preferred installation configurations with the mounting plate.

No Wall Studs at End Holes

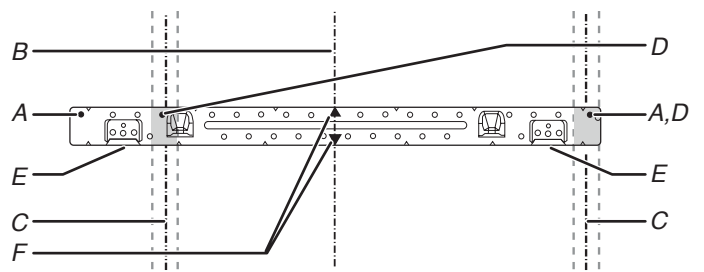
Figure 1



- | | |
|---|----------------------------------|
| A. End holes (on mounting plate) | D. Holes for lag screws |
| B. Cabinet opening vertical centerline | E. Support tabs |
| C. Wall stud centerlines
30" (76.2 cm) minimum | F. Mounting plate center markers |

No Wall Studs at End Holes

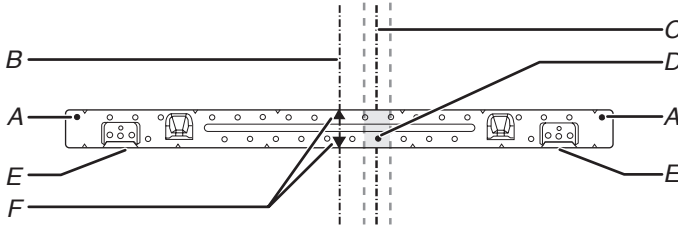
Figure 3



- | | |
|--|----------------------------------|
| A. End holes (on mounting plate) | D. Holes for lag screws |
| B. Cabinet opening vertical centerline | E. Support tabs |
| C. Wall stud centerlines | F. Mounting plate center markers |

Wall Stud at End Holes

Figure 2

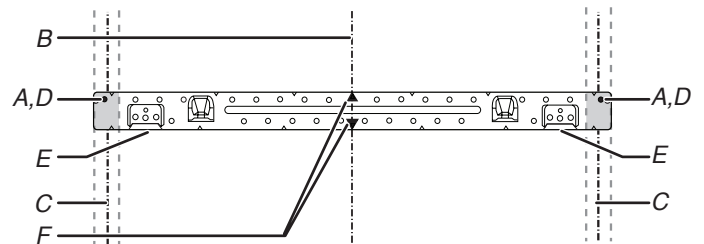


NOTE: If wall stud is within 6" (15.2 cm) of the vertical centerline (see the "Mark Rear Wall" section), only recirculation or roof venting installation can be done.

- | | |
|--|----------------------------------|
| A. End holes (on mounting plate) | D. Holes for lag screws |
| B. Cabinet opening vertical centerline | E. Support tabs |
| C. Wall stud centerlines | F. Mounting plate center markers |

Wall Stud at End Holes

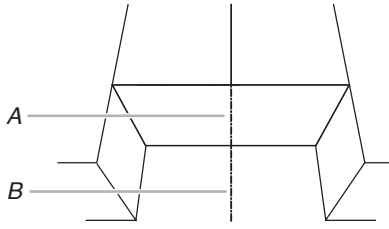
Figure 4



- | | |
|--|----------------------------------|
| A. End holes (on mounting plate) | D. Holes for lag screws |
| B. Cabinet opening vertical centerline | E. Support tabs |
| C. Wall stud centerlines | F. Mounting plate center markers |

Mark Upper Cabinet

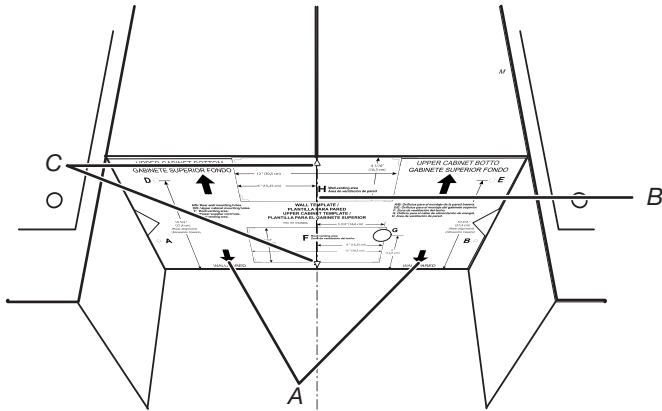
- Using a tape, measure clearly and mark the vertical centerline of the opening. Make sure it aligns with the vertical wall centerline. Use a pencil to draw the centerlines on the upper cabinet and wall.



A. Upper cabinet centerline
B. Wall centerline

NOTE: The cardboard plate is fit for depth of 12" to 14" (30.5 to 35.6 cm) cabinet installation, if cabinets are larger than 14" (35.6 cm), and up to 15" (38.1 cm), using the bump out mounting kit, replacing the mounting plate supplied with the product. The bump out mounting kit (part#- W11185746) is not provided.

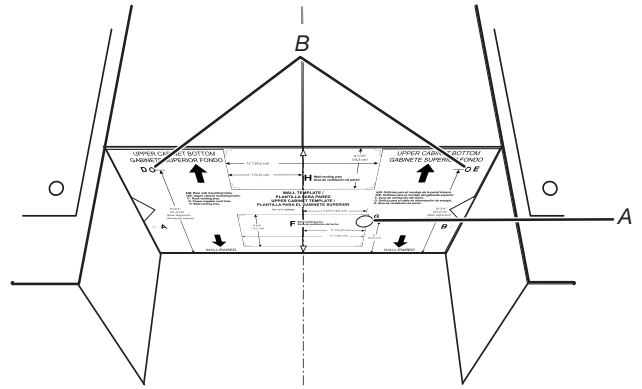
To order, see the "Online Ordering Information" section of the Quick Start Guide.



A. Arrows to wall
B. Upper cabinet centerline
C. Center marks on cardboard plate

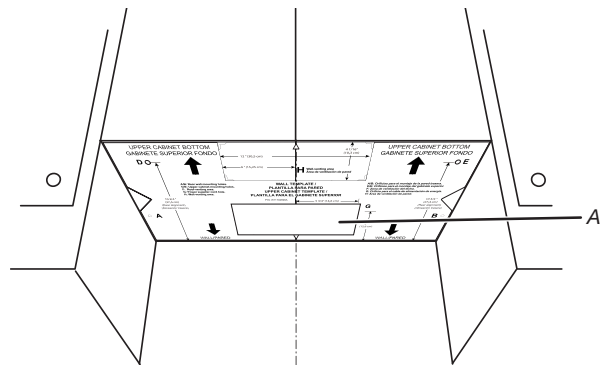
- Placing the cardboard plate against the bottom of the upper cabinet. Make sure the cardboard plate centerline aligns with the centerline on the upper cabinet which drew in step 1. And the Arrows to wall(A) must be against the rear wall so that the holes cut into the upper cabinet align with the holes in the top of the microwave oven.

- Use a pencil to mark power supply hole (G) and 2 mounting holes (D) and (E) as shown in following figure. Make sure the 10 3/4" (27.4 cm) dimension from the rear wall to "D" and "E" on the mounting plate is maintained. And 1 1/2" (3.8 cm) diameter for "G" hole.



A. Power cord hole
B. Mounting nut holes

- Use a pencil to mark the upper cabinet vent hole. This step can be skipped if your unit is using recirculation or wall venting installation.



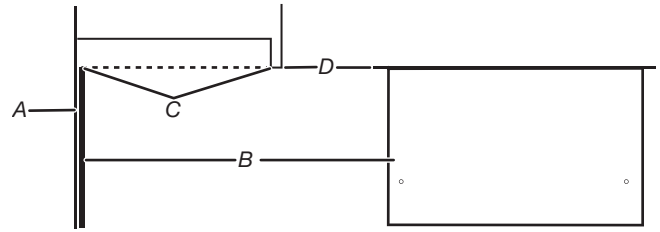
A. Upper cabinet vent hole

Mark Rear Wall

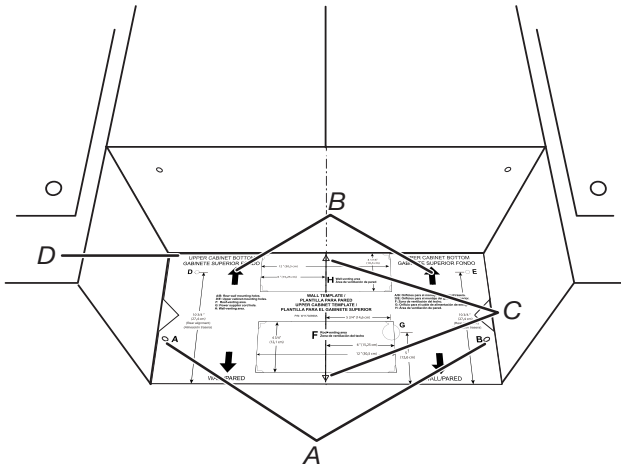
The microwave oven must be installed on a minimum of 1 wall stud, preferably 2, using a minimum of 1 lag screw, preferably 2. See "Find the Wall Stud(s)" section for find the wall studs.

Align the center markers on the cardboard plate, to the centerline on the wall, making sure it is level, and that the top of the cardboard template is butted up against the back edge of the upper cabinet. (see following **NOTE** before making marks).

1. Use a pencil to draw two small circles A & B holes.

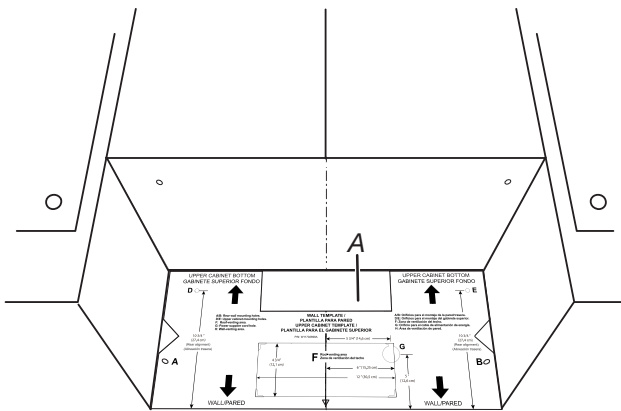


- A. Rear wall
- B. Cardboard plate
- C. Top of cardboard plate must align with front edge of cabinet
- D. Front edge of the upper cabinet



- A. A and B holes
- B. Arrows to upper cabinet
- C. Center marks on cardboard plate
- D. Back edge of upper cabinet

2. Use a pencil to mark the wall venting hole (wall venting installation only), skip it if your unit is for recirculation or upper cabinet venting installation.

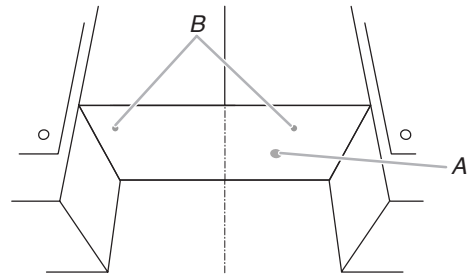


- A. Wall venting hole

NOTE: If the front edge of the upper cabinet is lower than the back edge, lower the cardboard template so that its top is level with the front edge of the cabinet.

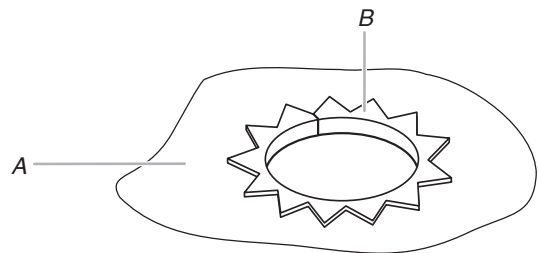
Drill holes in Upper Cabinet

1. Using a drill and the 3/4" (1.9 cm) hole saw, cut out the power cord hole (A).
2. Drill two mounting nut holes (B), which are 3/8" (10 mm) holes at points "D" and "E" on the cardboard template. These are for two 1/4-20 x 3" bolts and washers used to secure the microwave oven to the upper cabinet.



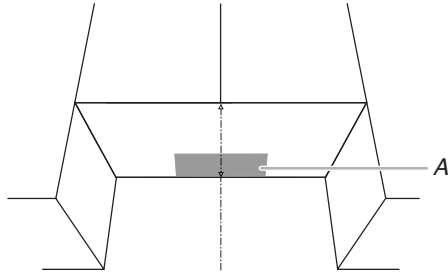
- A. Power Cord Hole
- B. Mounting Nut Holes

NOTE: If upper cabinet is metal, the supply cord bushing needs to be installed around the supply cord hole as shown.



- A. Metal cabinet
- B. Power supply cord bushing

- Using a keyhole saw, cut out the rectangular roof venting cutout area. Skip this step if for recirculation venting or wall venting installation.



A. Roof Venting Cutout Area

Drill holes in Rear Wall

- Drill holes at A, B, H, & J, if the Wall studs are not located A and B hole, do not drill A and B hole, and follow the below instruction. In addition to being installed on at least 1 wall stud, the mounting plate must attach to the wall at both end holes. If the end holes are not over wall studs, use two 3/16-24 x 3" round head bolts with toggle nuts; if 1 end hole is over a wall stud, use 1 lag screw and one 3/16-24 x 3" round-head bolt with toggle nut; or if both end holes are over wall studs, use 2 lag screws. Following are 3 installation configurations.

Installation for No Wall Studs at End Holes (Figures 1 and 2 in Find the Wall Stud(s) section)

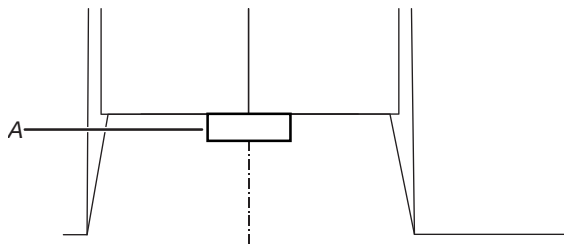
- Drill 5/8" (1.6 cm) holes through the wall at both end holes marked in Step 3 of the "Mark Rear Wall."
- Drill 3/16" (5 mm) hole(s) into the wall stud(s) at the hole(s) marked in step 6 of the "Mark Rear Wall." Refer to figures 1 and 2 in "Possible Wall Stud Configurations" in the "Locate Wall Studs(s)" section.

Installation for Wall Stud at One End Hole (Figure 3 in Find the Wall Stud(s) section)

- Drill a 3/16" (5 mm) hole into the wall stud at the end hole marked in Step 3 of the "Mark Rear Wall."
- If installing on a second wall stud, drill a 3/16" (5 mm) hole into the wall stud at the other hole marked in Step 6 of the "Mark Rear Wall." Refer to Figure 3 in "Possible Wall Stud Configurations" in the "Locate all Stud(s)" section.
- Drill a 5/8" (1.6 cm) hole through the wall at the other end.

Installation for Wall Studs at Both End Holes (Figure 4 in Find the Wall Stud(s) section)

- Drill 3/16" (5 mm) holes into the studs at the end holes marked in Step 3 of the "Mark Rear Wall."
- Using a keyhole saw, cut out the rectangular wall venting cutout area. Skip this step if for recirculation venting or roof venting installation.



A. Wall Venting Cutout Area

Attach Mounting Plate to Wall

- Position mounting plate on the wall.
- Secure the mounting plate to the wall at both end holes drilled into the wall studs and/or drywall using either 3/16-24 x 3" round-head bolts and toggle nuts or 1/4 x 2" lag screws.

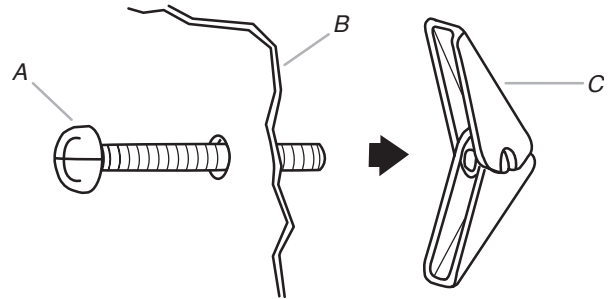
Refer to illustrations in "Possible Wall Stud Configurations" in the "Locate Wall Stud(s)" section, and the following sections "No Wall Studs at End Holes (Figures 1 and 2 in Find the Wall Stud(s) section)" or "Wall Stud at One End Hole (Figure 3 in Find the wall Stud(s) section)".

- Insert lag screws into both end holes.
- Check alignment of mounting plate, making sure it is level.
- Secure the two end hole screws.

Installation for No Wall Studs at End Holes (Figures 1 and 2 in Find the Wall Stud(s) section)

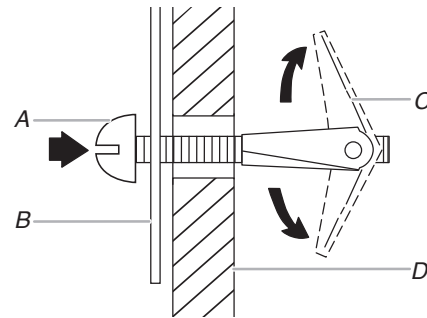
NOTE: The mounting plate must be secured to the wall on at least 1 wall stud as well as at both ends.

- With the support tabs of the mounting plate facing forward, insert 3/16-24 x 3" round-head bolts through both end holes of mounting plate.
- Start toggle nuts on bolts from the back of the mounting plate. Leave enough space for the toggle nuts to go through the wall and to open.



A. 3/16-24 x 3" round-head bolt
B. Mounting plate
C. Spring toggle nut

- Position mounting plate on the wall.
- Push the 2 bolts with toggle nuts through the drywall, and finger tighten the bolts to make sure toggle nuts have opened against drywall.



A. 3/16-24 x 3" round-head bolt
B. Mounting plate
C. Spring toggle nut
D. Drywall

- Insert lag screw(s) into the hole(s) drilled into wall stud(s) in Step 2 of "Installation for No Wall Studs at End Holes" in the "Drill Holes in Rear Wall" section.
- Check alignment of mounting plate, making sure it is level.
- Securely tighten all lag screws and bolts.

Wall Stud at One End Hole (Figure 3 in Find the Wall Stud(s) section)

1. With the support tabs of the mounting plate facing forward, insert a 3/16-24 x 3" round-head bolt through the end hole that fits over the 5/8" (16 mm) hole drilled in step 3 of "Installation for Wall Stud at One End Hole" in the "Drill Holes in Rear Wall" section.
2. Start a toggle nut on the bolt from the back of the mounting plate. Leave enough space for the toggle nut to go through the wall and to open.
3. Position mounting plate on the wall.
4. Push the bolt with toggle nut through the drywall, and finger tighten the bolt to make sure toggle nut has opened against drywall.
5. Insert a lag screw into the remaining end hole.
6. If installing on a second wall stud, insert a lag screw into the other hole drilled in Step 2 of "Installation for Wall Stud at One End Hole" in the "Drill Holes in Rear Wall" section. Check alignment of mounting plate, making sure it is level.
7. Securely tighten the lag screw(s) and bolt.

Wall Studs at Both End Holes (Figure 4)

1. Position mounting plate on the wall.
2. Insert lag screws into both end holes.
3. Check alignment of mounting plate, making sure it is level.
4. Securely tighten the lag screws.

Install the Microwave Oven

⚠WARNING

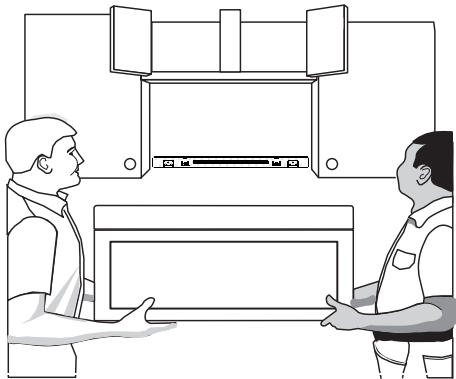
Excessive Weight Hazard

Use two or more people to move and install or uninstall appliance.

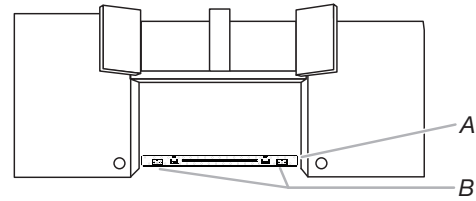
Failure to do so can result in back or other injury.

IMPORTANT: The control side of the microwave oven is the heavy side. Handle the microwave oven gently.

1. Place a washer on each 1/4-20 x 3" flat-head bolt and place inside upper cabinet near the 3/8" (9.5 mm) holes.
2. Make sure the microwave oven door is closed and taped shut.

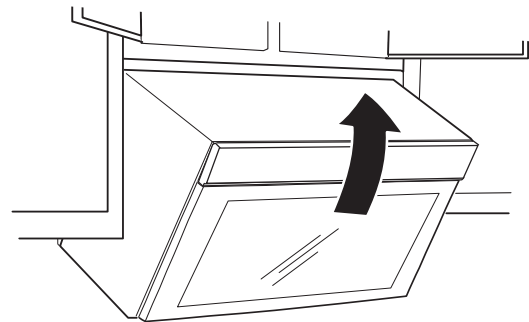


3. Using 2 or more people, lift microwave oven and hang it on support tabs at the bottom of mounting plate.
NOTE: To avoid damage to the microwave oven, do not grip or use the door or while the microwave oven is being handled.



A. Mounting plate
B. Support tabs

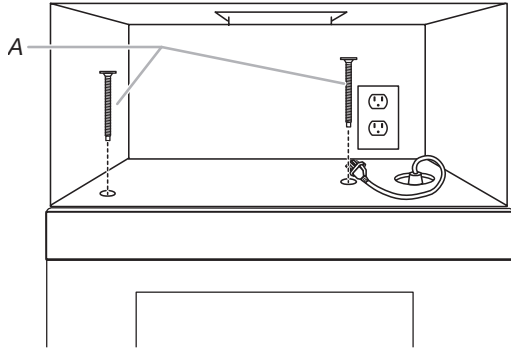
4. With front of microwave oven still tilted, thread power supply cord through the power supply cord hole in the bottom of the upper cabinet.



5. Rotate microwave oven up toward upper cabinet.
NOTE: If venting through the wall, make sure the damper assembly fits easily into the vent in the wall cutout.
6. Push microwave oven against mounting plate and hold in place.
NOTE: If microwave oven does not need to be adjusted, skip steps 7 through 9.
7. If adjustment is required, rotate microwave oven downward. Using 2 or more people, lift microwave oven off of mounting plate, and set aside on a covered surface.
8. Loosen mounting plate screws. Adjust mounting plate and retighten screws.
9. Repeat steps 3 through 6.
10. With the microwave oven centered, and with at least one person holding it in place, insert bolts through upper cabinet into microwave oven. Tighten bolts until there is no gap between upper cabinet and microwave oven.

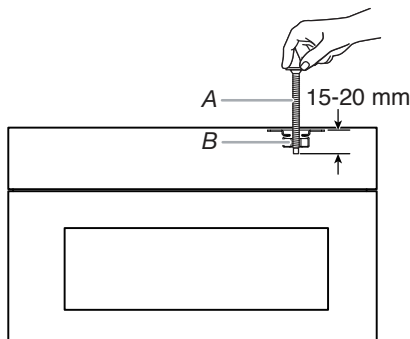
NOTES:

- Some upper cabinets may require bolts longer or shorter than 3" (7.6 cm). Longer or shorter bolts are available at most hardware stores.
- Overtightening bolts may warp the top of the microwave oven. To avoid warping, wood filter blocks (installer to provide) may be added. The blocks must be the same thickness as the space between the upper cabinet bottom and the microwave oven.



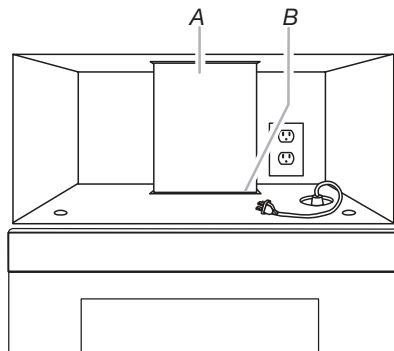
A. Bolts

- Avoid damage to the mounting nut, screw the bolts into the mounting nut holes around 15–20 mm by hand first, make sure the bolts thread in properly. Then tighten with tools.



A. Bolt
B. Mounting Nut

11. Connect vent to damper assembly.



A. Vent
B. Damper assembly (under vent) Compact

Complete Installation

⚠ WARNING



Electrical Shock Hazard

Plug into a grounded 3 prong outlet.

Do not remove ground prong.

Do not use an adapter.

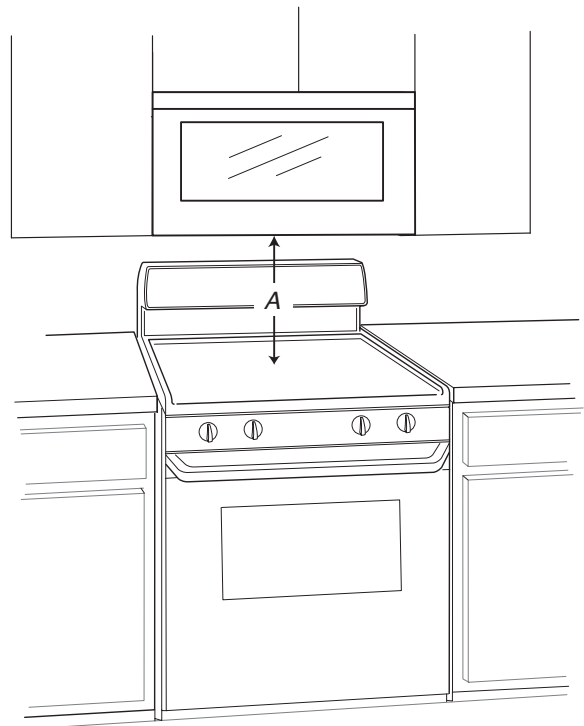
Do not use an extension cord.

Failure to follow these instructions can result in death, fire, or electrical shock.

1. Plug microwave oven into grounded 3 prong outlet.
2. Reconnect power.
3. Check the operation of microwave oven by placing 1 cup (250 mL) of water on the turntable and programming a cook time of 1 minute at 100% power. Test vent fan and exhaust by operating the vent fan.
4. If the microwave oven does not operate:
 - Check that a household fuse has not blown, or that a circuit breaker has not tripped. Replace the fuse or reset the circuit breaker. If the problem continues, call an electrician.
 - Check that the power supply cord is plugged into a grounded 3 prong outlet.
5. See the quick start guide for more informations.

The installation is now complete.

Save this Owner's Manual for future use.



A. 13.7" (34.8 cm) is the height from the highest point of the stove to the bottom of the microwave oven.

VENTING DESIGN SPECIFICATIONS

This section is intended for architectural designer and builder/contractor reference only.

NOTES:

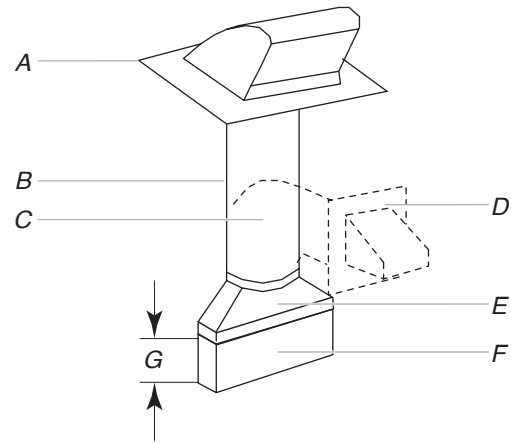
- Vent materials needed for installation are not provided with microwave hood combination.
- We do not recommend using a flexible metal vent.
- To avoid possible product damage, be sure to vent air outside, unless using recirculation installation. Do not vent exhaust air into concealed spaces, such as spaces within walls or ceilings, attics, crawl spaces or garages.

For optimal venting installation, we recommend:

- Using roof or wall caps that have backdraft dampers.
- Using a rigid metal vent.
- Using the most direct route by minimizing the length of the vent and number of elbows to provide efficient performance.
- Using uniformly sized vents.
- Using duct tape to seal all joints in the vent system.
- Using caulking compound to seal exterior wall or roof opening around cap.
- Not installing 2 elbows together, for optimal hood performance.

If venting through the wall, be sure that there is proper clearance within the wall for the damper to open fully.

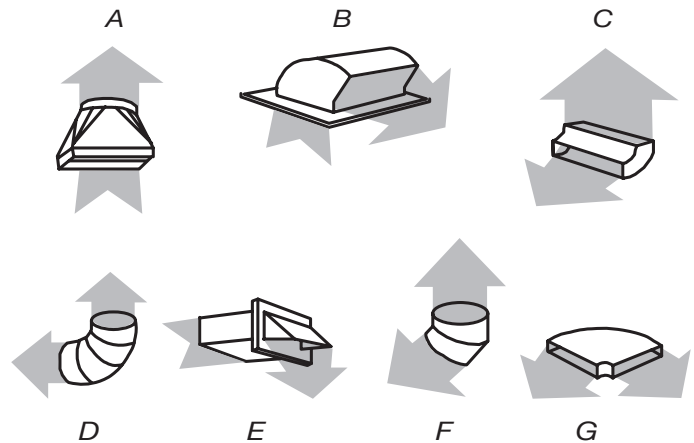
If venting through the roof, and rectangular-to-round transition is used, be sure there are at least 3" (7.6 cm) of clearance between the top of the microwave oven and the transition piece. See "Rectangular-to-Round Transition" illustration.



- A. Roof cap
- B. 6" (152 mm) minimum diameter round vent
- C. Elbow (for wall venting only)
- D. Wall cap
- E. 3 1/4" x 10" to 6" (8.3 x 25.4 cm to 15.2 cm) a rectangular-to-round transition piece
- F. Vent extension piece, at least 3" (7.6 cm) high
- G. 3" (7.6 cm)

Recommended Standard Fittings

NOTE: The minimum 3" (7.6 cm) clearance must exist between the top of the microwave oven and the rectangular-to-round transition piece so that the damper can open freely and fully.



- A. Rectangular-to-round transition piece: 3 1/4" x 10" to 6" = 5 ft (8.3 x 25.4 cm to 15.2 cm = 1.5 m)
- B. Roof cap: 3 1/4" x 10" = 24 ft (8.3 x 25.4 cm = 7.3 m)
- C. 90° elbow: 3 1/4" x 10" = 25 ft (8.3 x 25.4 cm = 7.6 m)
- D. 90° elbow: 6" = 10 ft (15.2 cm = 3 m)
- E. Wall cap: 3 1/4" x 10" = 40 ft (8.3 x 25.4 cm = 12.2 m)
- F. 45° elbow: 6" = 5 ft (15.2 cm = 1.5 m)
- G. 90° flat elbow: 3 1/4" x 10" = 10 ft (8.3 x 25.4 cm = 3 m)

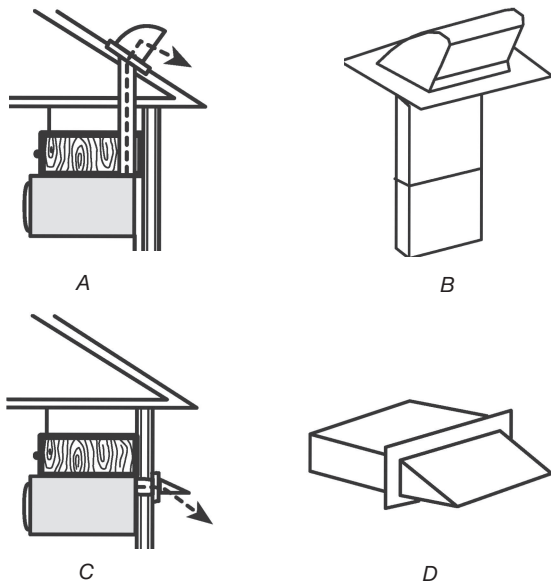
Recommended Vent Length

A 3 1/4" x 10" (8.3 x 25.4 cm) rectangular or 6" (15.2 cm) round vent should be used.

The total length of the vent system including straight vent, elbow(s), transitions and wall or roof caps must not exceed the equivalent of 140 ft (42.7 m) for either type of vent. See the "Recommended Standard Fittings" section for equivalent lengths.

For best performance, use no more than three 90° elbows.

To calculate the length of the system you need, add the equivalent lengths of each vent piece used in the system. See the following examples:



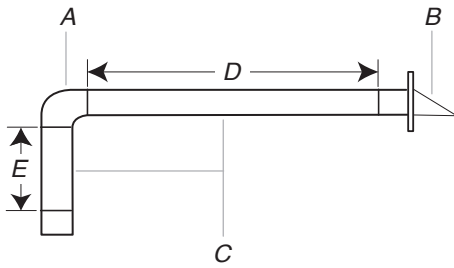
- A. Roof venting
- B. Roof cap

- C. Wall venting
- D. Wall cap

Rectangular-to-Round Transition

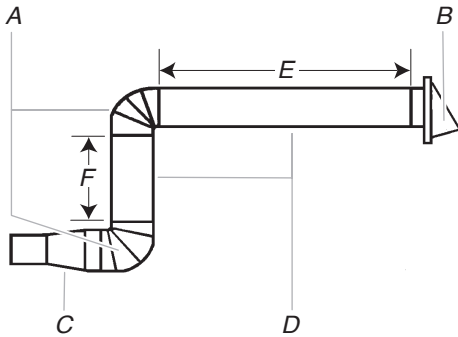
NOTE: The minimum 3" (7.6 cm) clearance must exist between the top of the microwave oven and the rectangular-to-round transition piece so that the damper can open freely and fully.

3 1/4" x 10" (8.3 x 25.4 cm) vent system = 73 ft (22.2 m) total



- A. One 3 1/4" x 10" (8.3 x 25.4 cm) 90° elbow = 25 ft (7.6 m)
- B. 1 wall cap = 40 ft (12.2 m)
- C. 2 ft (0.6 m) + 6 ft (1.8 m) straight = 8 ft (2.4 m)
- D. 6 ft (1.8 m)
- E. 2 ft (0.6 m)

6" (152 mm) vent system = 73 ft (22.2 m) total



- A. Two 90° elbows = 20 ft (6.1 m)
- B. 1 wall cap = 40 ft (12.2 m)
- C. 1 rectangular-to-round transition piece = 5 ft (1.5 m)
- D. 2 ft (0.6 m) + 6 ft (1.8 m) straight = 8 ft (2.4 m)
- E. 6 ft (1.8 m)
- F. 2 ft (0.6 m)

If the existing vent is round, a rectangular to round transition piece must be used. In addition, a rectangular 3" (7.6 cm) extension vent between the damper assembly and rectangular to round transition piece must be installed to keep the damper from sticking.

SÉCURITÉ DU FOUR À MICRO-ONDES

Votre sécurité et celle des autres sont très importantes.

Nous donnons de nombreux messages de sécurité importants dans ce manuel et sur votre appareil. Assurez-vous de toujours lire tous les messages de sécurité et de vous y conformer.



Voici le symbole d'alerte de sécurité.

Ce symbole d'alerte de sécurité vous signale les dangers potentiels de décès et de blessures graves.

Tous les messages de sécurité suivront le symbole d'alerte de sécurité et le mot « DANGER » ou « AVERTISSEMENT ». Ces mots signifient :

⚠ DANGER

Risque possible de décès ou de blessure grave si vous ne suivez pas immédiatement les instructions.

⚠ AVERTISSEMENT

Risque possible de décès ou de blessure grave si vous ne suivez pas les instructions.

Tous les messages de sécurité vous diront quel est le danger potentiel, comment réduire le risque de blessure et ce qui peut se produire en cas de non-respect des instructions.

IMPORTANTES INSTRUCTIONS DE SÉCURITÉ

Lors de l'utilisation d'appareils électriques, il faut toujours observer certaines précautions élémentaires de sécurité, y compris les suivantes :

AVERTISSEMENT : Pour réduire les risques de brûlure, de décharges électriques, d'incendie, de blessures ou d'exposition à un rayonnement excessif de micro-ondes :

- Lire toutes les instructions avant d'utiliser l'appareil.
- Lire et respecter les « PRÉCAUTIONS POUR ÉVITER LES EXPOSITIONS POSSIBLES À UN RAYONNEMENT EXCESSIF AUX MICRO-ONDES » spécifiques de ce manuel.
- Cet appareil doit être relié à la terre. Brancher uniquement dans une prise reliée à la terre. Consulter le point « INSTRUCTIONS DE LIAISON À LA TERRE » de cette section.
- Installer ou placer cet appareil en respectant toutes les instructions d'installation fournies.
- Certains produits comme les œufs entiers et les contenants scellés, comme un pot en verre fermé, peuvent exploser et ne devraient pas être chauffés dans ce four.
- Utiliser cet appareil uniquement dans le cadre de l'usage auquel il se destine comme décrit dans le manuel. Ne pas utiliser de produits chimiques corrosifs ou dégageant des vapeurs dans cet appareil. Ce type de four est spécialement conçu pour chauffer, cuire ou sécher des aliments. Il n'est pas conçu pour une utilisation à des fins industrielles ou en laboratoires.
- LE CONTENU CHAUD PEUT PROVOQUER DES BRÛLURES GRAVES. NE PAS LAISSER LES ENFANTS UTILISER LE FOUR À MICRO-ONDES. Retirer les aliments chauds avec prudence.
- Ne pas utiliser ce produit si la fiche ou le cordon est endommagé, s'il ne fonctionne pas correctement ou s'il a subi une chute ou a été endommagé de quelque façon que ce soit.
- Seule une personne qualifiée est habilitée à effectuer une intervention d'entretien sur cet appareil. Communiquer avec l'entreprise de service autorisé la plus près de chez vous pour la vérification, la réparation et le réglage.
- Ne pas couvrir ou obstruer les ouvertures de l'appareil.
- Ne pas ranger l'appareil à l'extérieur. Ne pas utiliser ce produit près d'une source d'eau comme un évier de cuisine, un sous-sol humide, une piscine ou tout autre emplacement semblable.
- Ne pas immerger le cordon ou la fiche dans l'eau.
- Maintenir le cordon à l'écart de toute surface chaude.
- Ne pas laisser le cordon pendre par-dessus le bord d'une table ou d'un comptoir.
- Ne pas utiliser de pièces de remplacement qui n'ont pas été recommandées par le fabricant (c.-à-d., des pièces fabriquées à la maison à l'aide d'une imprimante 3D).
- Voir les instructions de nettoyage de la surface de la porte dans la section « Entretien et réparation du four à micro-ondes ».
- Les liquides, comme l'eau, le café ou le thé, peuvent être chauffés au-delà du point d'ébullition sans pour autant avoir l'air de bouillir. Des bulles ou une ébullition lorsque le contenant est sorti du four à micro-ondes ne sont pas toujours visibles. LE CONTENU LIQUIDE TRÈS CHAUD PEUT AINSI SOUDAINEMENT BOUILLIR LORSQUE LE CONTENANT EST DÉPLACÉ OU SI UN USTENSILE EST INSÉRÉ DANS LE LIQUIDE.
- Ne pas utiliser un appareil de chauffage ou de cuisson sous cet appareil.
- Ne pas fixer l'appareil au-dessus ou près d'un appareil de chauffage ou de cuisson.
- Ne pas installer au-dessus d'un évier.
- Ne rien placer directement sur le dessus de l'appareil lorsque ce dernier est utilisé.
- Nettoyer régulièrement les hottes de ventilation – Ne pas laisser la graisse s'accumuler dans la hotte ou le filtre.

CONSERVER CES INSTRUCTIONS

Lors de l'utilisation d'appareils électriques, il faut toujours observer certaines précautions élémentaires de sécurité, y compris les suivantes :

AVERTISSEMENT : Pour réduire les risques de brûlure, de décharges électriques, d'incendie, de blessures ou d'exposition à un rayonnement excessif de micro-ondes :

- Lorsque des aliments sont flambés sous la hotte, mettre le ventilateur en marche.
- Peut être placé au-dessus d'un équipement de cuisson électrique ou au gaz.
- Conçu pour être utilisé au-dessus d'une cuisinière d'une largeur maximum de 36 po (91,44 cm).
- Nettoyer le filtre de la hotte d'extraction en faisant attention. Des agents nettoyants corrosifs, comme du nettoyant à four à basse de soude, peuvent endommager le filtre.
- Pour réduire les risques d'incendie dans la cavité du four :
 - Ne pas trop faire cuire les aliments. Surveiller attentivement l'appareil lorsque du papier, du plastique ou d'autres matériaux combustibles sont placés à l'intérieur pour faciliter la cuisson.
 - Retirer les attaches des sacs en papier ou en plastique avant de placer le sac dans le four.
 - Si des matériaux prennent en feu dans le four, garder la porte du four fermée, éteindre le four et débrancher le cordon d'alimentation ou fermer l'alimentation au fusible ou disjoncteur.
 - Ne pas utiliser la cavité comme remisage. Ne pas laisser de produits en papier, d'ustensiles de cuisson ou d'aliments dans la cavité lorsque l'appareil n'est pas utilisé.

CONSERVER CES INSTRUCTIONS

PRÉCAUTIONS POUR ÉVITER TOUTE EXPOSITION ÉVENTUELLE AU RAYONNEMENT EXCESSIF DE MICRO-ONDES ET UTILISER L'APPAREIL SANS DANGER

- (a) Ne pas tenter de faire fonctionner ce four lorsque la porte est ouverte puisque l'utilisation la porte ouverte peut entraîner une exposition dangereuse au rayonnement des micro-ondes. Il est important de ne pas modifier ou contourner le verrouillage de sécurité.
- (b) Ne placer aucun objet entre le devant du four à micro-ondes et la porte ou ne pas permettre à de la saleté ou des résidus de nettoyage de s'accumuler sur les surfaces des joints d'étanchéité.
- (c) Ne pas ouvrir le four à micro-ondes s'il est endommagé. Il est très important que la porte du four ferme correctement et qu'il n'y ait pas de dommage à :
 - (1) la porte (tordue);
 - (2) les charnières et loquets (brisées ou lâches);
 - (3) les joints d'étanchéité de la porte et leur surface.
- (d) Le four ne doit pas être réglé ou réparé par une personne autre qu'une personne d'entretien qualifiée.

Guide de connexion Internet pour les appareils connectés uniquement

IMPORTANT : Il est de la responsabilité de l'utilisateur de bien installer l'appareil avant de l'utiliser. Bien lire et suivre le guide d'installation qui accompagne l'appareil.

La connectabilité nécessite un réseau Wi-Fi et la création d'un compte. Les fonctions de l'application peuvent changer. Des frais de transfert de données peuvent s'appliquer. Une fois installée, lancer l'application. Suivre les étapes de configuration du compte d'utilisateur et de connexion de l'appareil.

Il faut :

- Un routeur sans fil compatible Wi-Fi à 2,4 GHz avec sécurité WPA2. Pour vérifier les capacités du routeur, consulter le manuel d'instructions du fabricant du routeur.
- Le routeur devra être en marche et connecté à Internet.
- Le numéro SAID à 10 caractères de votre appareil. Le numéro SAID est imprimé sur une étiquette collée sur l'appareil ou affiché à l'écran ACL.

Déclaration de conformité de la Commission fédérale des communications (FCC)

Cet appareil est conforme à la norme FCC, partie 15. Le bon fonctionnement de l'appareil est fonction de deux conditions :

1. Cet appareil ne doit pas produire de brouillage dommageable et
2. Cet appareil doit accepter tout brouillage radioélectrique subi, même si le brouillage est susceptible d'en compromettre le fonctionnement.

Tous changements ou toutes modifications n'ayant pas été expressément approuvés par la partie responsable de la conformité pourraient annuler l'autorité de l'utilisateur à utiliser l'appareil.

Avis de conformité d'Industrie Canada (IC)

Cet appareil satisfait aux prescriptions des documents CNR/RSS d'Industrie Canada (utilisation sans licence). Le bon fonctionnement de l'appareil est fonction de deux conditions :

1. Cet appareil ne doit pas produire de brouillage.
2. Cet appareil doit être compatible avec n'importe quelle interférence, y compris des interférences causées par l'utilisation involontaire de l'appareil.

En vertu des règlements d'Industrie Canada, cet émetteur radio ne peut fonctionner qu'à l'aide d'une antenne d'un type et de gain maximum (ou moins) approuvé pour l'émetteur par Industrie Canada. Pour réduire les interférences radio potentielles pour les autres utilisateurs, le type d'antenne et son gain doivent être choisis de sorte que la puissance isotrope rayonnée équivalente (PIRE) ne dépasse pas ce qui est nécessaire pour une communication réussie.

Pour satisfaire aux exigences de la FCC et d'Industrie Canada sur les l'exposition aux radiations de radiodiffusion, les antennes utilisées avec cet émetteur doivent être installées de telle sorte qu'il y ait une distance de 20 cm ou plus séparant la source de radiation (antenne) et toute personne en tout temps et ne doit pas être co-utilisée ou fonctionner en même temps qu'une autre antenne ou qu'un émetteur.

Si cet appareil cause des interférences nuisibles à la réception radio ou télévision, pouvant être déterminées par le fait d'allumer et d'éteindre l'appareil, l'utilisateur est encouragé à essayer de corriger les interférences en suivant l'un des conseils suivants :

- Réorienter ou déplacer l'antenne de réception.
- Augmenter la distance séparant l'appareil du récepteur.
- Brancher l'appareil sur un circuit différent de celui où le récepteur est branché.
- Prendre contact avec un revendeur ou un technicien radio/télévision qualifié pour obtenir de l'aide.

Mise en garde FCC

- Tout changement ou toute modification n'ayant pas été expressément approuvé par Whirlpool Corporation pourrait annuler l'autorité de l'utilisateur à utiliser l'appareil.
- Les antennes utilisées avec cet émetteur doivent être installées de telle sorte qu'il y ait une distance de 20 cm ou plus séparant la source de radiation (antenne) et toute personne en tout temps et ne doit pas être co-utilisée ou fonctionner en même temps qu'une autre antenne ou qu'un émetteur.

Partie 15B Déclarations de conformité pour les appareils numériques :

REMARQUE : Cet appareil a été testé et déclaré conforme aux limites pour appareils numériques de classe B, selon la partie 15 des règlements de la FCC (Federal Communications Commission). Ces limites sont conçues dans le but d'assurer une protection raisonnable contre des interférences nuisibles dans une installation résidentielle. Cet appareil génère, utilise et peut émettre l'énergie de fréquence radio et, s'il n'est pas installé ni utilisé conformément aux instructions, peut causer des interférences nuisibles aux communications radio. Cependant, il se peut que des interférences se produisent dans une installation particulière. Si cet appareil cause des interférences nuisibles à la réception radio ou télévision, elles peuvent être déterminées par le fait d'allumer et d'éteindre l'appareil, l'utilisateur est encouragé à essayer de corriger les interférences en suivant l'un ou plusieurs des conseils suivants :

- Réorienter ou déplacer l'antenne de réception.
- Augmenter la distance séparant l'appareil du récepteur.
- Brancher l'appareil sur un circuit différent de celui où le récepteur est branché.
- Contacter un revendeur ou un technicien radio/télévision qualifié pour obtenir de l'aide.

Le guide d'utilisation du produit doit comprendre les renseignements suivants Instruction :

« Pour satisfaire aux exigences de la FCC sur l'exposition aux radiations de radiodiffusion, les antennes utilisées avec cet émetteur doivent être installées de telle sorte qu'il y ait une distance de 20 cm ou plus séparant la source de radiation (antenne) et toute personne en tout temps et ne doit pas être co-utilisée ou fonctionner en même temps qu'une autre antenne ou qu'un émetteur ».

Responsabilités du FEO à satisfaire aux règlements de la FCC

Les modules rebel UI ont été certifiés seulement si l'intégration par le FEO respecte les conditions suivantes :

1. Les antennes doivent être installées de telle sorte qu'il y ait une distance de 20 cm ou plus entre la radiation (antenne) et toutes les personnes en tout temps.
2. L'émetteur ne doit pas être co-localisé en conjonction avec toute autre antenne ou tout émetteur.

Aucune évaluation supplémentaire d'émission n'est requise si les deux conditions précédentes sont respectées. Cependant, le FEO intégrateur demeure responsable du contrôle de ses produits pour répondre aux exigences supplémentaires concernant ce module (par exemple, émissions d'appareil numérique, exigences périphériques d'un ordinateur personnel, etc.)

IMPORTANT: Dans le cas où ces conditions ne peuvent pas être remplies (pour certaines configurations ou co-localisation avec un autre émetteur), alors les autorisations FCC ne sont plus considérées comme valides et l'ID FCC ne peut pas être utilisé sur le produit final. Dans ces circonstances, l'intégrateur OEM sera chargé de réévaluer le produit final (y compris l'émetteur) et d'obtenir une autorisation FCC distincte.

Étiquette de produit

Ce module est étiqueté avec un ID FCC. Si l'ID de la FCC n'est pas visible lorsque le module est installé dans un autre appareil, l'extérieur de l'appareil dans lequel le module est installé doit aussi afficher une étiquette de référence pour le module. Dans cette situation, le produit doit posséder une étiquette visible contenant les renseignements suivants :

« Contient l'ID de la FCC : 2AC7Z-RIGEL »

Le FEO de ce module ne doit utiliser que les antennes approuvées et certifiées pour ce module. Le FEO intégrateur ne doit pas fournir les renseignements à l'utilisateur final concernant l'installation et le démontage de ce module RF ou les modifications de paramètres RF dans le guide d'utilisation du produit final.

ENTRETIEN ET RÉPARATION DU FOUR À MICRO-ONDES

Nettoyage général

IMPORTANT : Avant le nettoyage, s'assurer que toutes les commandes sont désactivées et que le four à micro-ondes est froid. Toujours suivre les instructions figurant sur les étiquettes des produits de nettoyage.

L'usage de savon, d'eau et d'un chiffon doux ou d'une éponge est suggéré en priorité, sauf indication contraire.

ACIER INOXYDABLE ET ACIER INOXYDABLE NOIR (sur certains modèles)

REMARQUE : Afin d'éviter d'endommager les surfaces en acier inoxydable, ne pas utiliser de tampons à récurer savonneux, de nettoyeurs abrasifs, de crème à polir pour table de cuisson, de tampons en laine d'acier, de chiffons de lavage rêches ou d'essuie-tout abrasifs. Ils peuvent endommager les surfaces en acier inoxydable, même après une seule ou quelques applications.

Frotter dans la direction du grain pour éviter les dommages.

Méthode de nettoyage :

- Affresh®+ Nettoyant pour acier inoxydable – numéro de pièce W10355016 (vendu séparément) ou chiffons pour acier inoxydable affresh® – numéro de pièce W1055049 (vendu séparément) : Consulter le Guide de démarrage rapide pour les informations de commande.
- Vinaigre pour les taches d'eau dure.

EXTÉRIEUR DE LA PORTE DU FOUR À MICRO-ONDES

Méthode de nettoyage :

- Nettoyant à vitre et chiffon doux ou éponge : Appliquer le nettoyant à vitre sur un chiffon doux ou une éponge et non directement sur le tableau.
- Nettoyant Affresh® pour appareils de la cuisine – numéro de pièce W10355010 (vendu séparément) : Voir la section « Information de commande en ligne » du Guide de démarrage rapide pour commander.

REVÊTEMENT INTÉRIEUR ANTIADHÉSIF (sur certains modèles)

Pour éviter d'endommager l'intérieur du four à micro-ondes, ne pas utiliser d'ustensiles en métal ou tranchants, de grattoirs, de nettoyeurs abrasifs ou d'autres accessoires de récurage.

CAVITÉ DU FOUR À MICRO-ONDES

Afin d'éviter d'endommager la cavité du four à micro-ondes, ne pas utiliser de tampons à récurer savonneux, de nettoyeurs abrasifs, de tampons en laine d'acier, de chiffons de lavage rêches ou certains essuie-tout.

Sur les modèles en acier inoxydable, frotter dans le sens du grain pour éviter d'endommager le fini.

La zone de contact entre la porte fermée et le cadre du four à micro-ondes doit être maintenue propre.

Méthode de nettoyage :

Saleté moyenne

- Savons et détergents doux, non abrasifs : Rincer à l'eau propre et sécher avec un chiffon doux sans charpie.

Saleté tenace

- Savons et détergents doux, non abrasifs : Faire chauffer une tasse (250 mL) d'eau pendant 2 à 5 minutes dans le four à micro-ondes. La vapeur amollira la saleté. Rincer à l'eau propre et sécher avec un chiffon doux sans charpie.

Odeurs

- Jus de citron ou vinaigre : Faire chauffer une tasse (250 mL) d'eau avec 1 c. à soupe (15 mL) de jus de citron ou de vinaigre pendant 2 à 5 minutes dans le four à micro-ondes.

Filtres à graisse

- Nettoyant doux et tampon à récurer
- Lave-vaisselle

EXIGENCES D'INSTRUCTIONS D'INSTALLATION

Outils et pièces

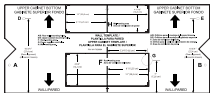
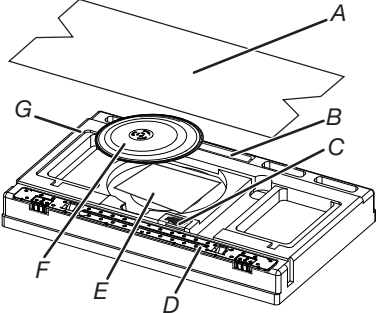








Outils nécessaires


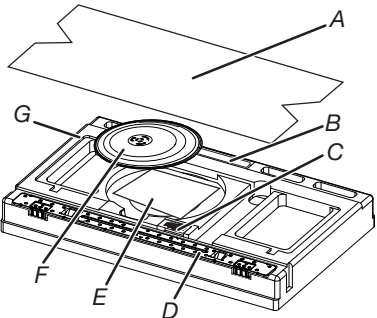
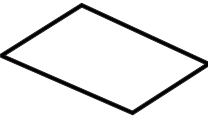


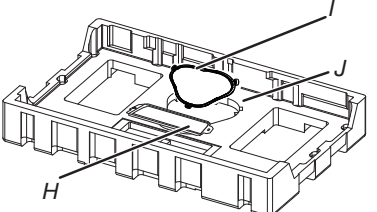

- Ruban à mesurer
- Crayon
- Ciseaux
- Ruban-cache ou punaises
- Perceuse
- Tournevis à tête cruciforme no 2
- Détecteur de montant
- Tournevis à tête cruciforme no 3 pour les vis de 1/4 - 20 x 3 po (76 mm)
- Mèche de 3/16 po (5 mm), 3/8 po (10 mm), 5/8 po (16 mm)
- Scie-cloche de 3/4 po (19 mm)
- Scie à guichet
- Pince coupante
- Clé à douille (ou clé polygonale) de 7/16 po (11 mm) pour tirefonds de 1/4 po x 2 po (6,4 mm x 51 mm)
- Scie à trou de 1 1/2 po (38 mm) pour armoire de bois ou de métal
- Pistolet à calfeutrage et calfeutrante étanche
- Ruban adhésif pour conduit

Matériaux nécessaires

- Composants standard pour évacuation à travers le mur ou à travers le toit. Voir la section « Spécifications/conception du circuit d'évacuation ».

Pièces fournies

Pièce	Dessin	Description	Qté	Où puis-je trouver?
A. Plaque de carton		Gabarits pour l'armoire supérieure et le mur	1	 <p>A. Plaque de carton B. Couvertres de décharge C. Paquet de vis D. Plaque de montage E. Documentation F. Plateau rotatif en verre G. Mousse supérieure dans la boîte de carton</p>
B. Couvertres de décharge		Couvercle d'évacuation pour ventilation par le mur ou le toit	2	
C. Paquet de vis		Vis à tête ronde de 3/16 – 24 x 3 po	2	
		Vis à tête plate de 1/4 – 20 x 3 po	2	
		Rondelles	2	
		Écrou à bascule de 3/16 po	2	
		Tirefonds de 1/4 po x 2 po	2	
		Vis à tête no 6 x 3/8 po	2	
		Bague de cordon d'alimentation électrique	1	

D. Plaque de montage		Plaque de montage	1	 <p><i>D. Plaque de montage</i> <i>E. Documentation</i> <i>F. Plateau rotatif en verre</i> <i>G. Mousse supérieure dans la boîte de carton</i></p>
E. Documentation		Documentation	1	
F. Plateau rotatif en verre		305 Plateau rotatif en verre	1	
H. Clapet antiretour		Clapet antiretour pour évacuation par le mur ou le toit	1	 <p><i>H. Clapet antiretour</i> <i>I. Anneau de support du plateau rotatif</i> <i>J. Mousse inférieure dans la boîte de carton</i></p>
I. Anneau de support du plateau rotatif		Anneau de support du plateau rotatif	1	

Consulter les codes locaux. Vérifier l'alimentation électrique existante. Consulter les « Spécifications électriques ».

Il est recommandé de faire réaliser tous les raccordements électriques par un électricien qualifié agréé.

REMARQUE :

- Les articles de quincaillerie suivants sont destinés à l'utilisation sur un montant de bois. En présence d'une structure de mur différent, utiliser les éléments de fixation appropriés.
- S'assurer d'acheter uniquement des pièces et des accessoires Whirlpool certifiés par le fabricant de l'appareil. Il se peut que l'installation nécessite des pièces supplémentaires. Pour commander, voir la section « Information de commande en ligne » du Guide de démarrage rapide.

Exigences d'emplacement

Inspecter l'ouverture où le four à micro-ondes sera installé. L'emplacement doit comporter les caractéristiques suivantes :

- Dimensions minimales à respecter lors de l'installation. Voir l'illustration « Dimensions à respecter lors de l'installation ».
- Au moins un montant en bois 2 po x 4 po (5,1 x 10,2 cm), et parement de plâtre/support d'enduit ou panneau de gypse d'épaisseur 3/8 po (1 cm) ou plus, dans l'ouverture de l'armoire.
- Capacité de support de charge de 150 lb (68 kg), ceci incluant le four à micro-ondes et les articles placés à l'intérieur du four à micro-ondes et de l'armoire supérieure.
- Prise de courant électrique reliée à la terre à l'intérieur de l'armoire supérieure. Voir la section « Spécifications électriques ».

REMARQUE :

- Certains modèles sont munis d'une poignée dissimulée. Dans le cas de l'installation du four à micro-ondes près d'une paroi latérale sur le côté droit, laisser un espace libre de 3 po (7,6 cm) ou plus entre le mur et le four à micro-ondes pour permettre d'agripper la poignée intégrée à la porte.
- Les matériaux de certaines armoires et certains matériaux de construction peuvent ne pas résister à la chaleur émise par le four à micro-ondes lors des opérations de cuisson. Consulter le constructeur de la maison ou le fabricant des armoires pour déterminer si les matériaux utilisés pourraient subir un changement de couleur, une déstratification ou d'autres dommages.

Exigences spéciales

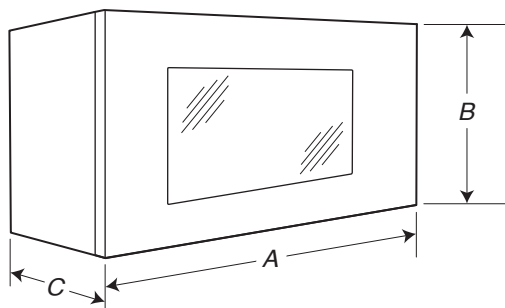
Pour une installation avec évacuation murale seulement :

- L'ouverture découpée doit être exempte d'obstruction pour l'ajustement adéquat du conduit d'évacuation et pour que la plaque du registre puisse s'ouvrir complètement et librement.

Pour une installation avec évacuation à travers le toit seulement :

- Si on utilise un raccord de transition rectangulaire/rond, on doit disposer d'un espace libre de 3 po (7,6 cm) au-dessus du four à micro-ondes afin que la plaque du registre puisse s'ouvrir complètement et librement. Voir l'illustration « Raccord de transition rectangulaire/rond » dans la section « Spécifications/conception du circuit d'évacuation ».

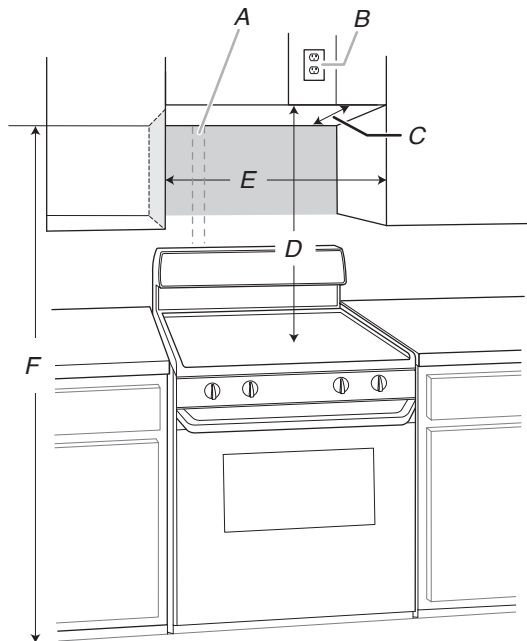
Dimensions du produit



- A. 29 ⁷/₈ po (76 cm)
- B. 10 ⁵/₁₆ po (26,2 cm)
- C. 18 ¹/₂ po (46,9 cm)

Dimensions d'installation

REMARQUE : La prise de courant à 3 alvéoles reliée à la terre doit être située à l'intérieur de l'armoire supérieure. Voir la section « Spécifications électriques ».

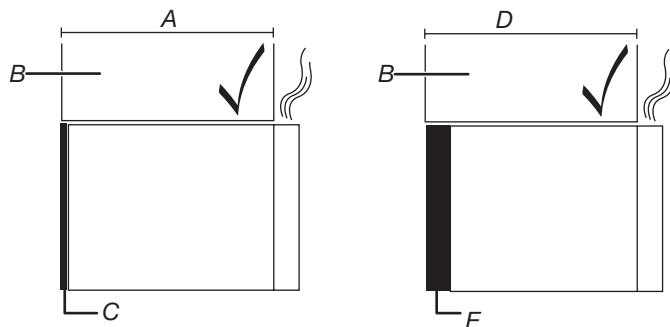


- A. *Évacuation rectangulaire murale de 2 po x 4 po (5,1 cm x 10,2 cm)*
- B. *Prise à 3 alvéoles reliée à la terre*
- C. *Minimum de 12 po (30,5 cm), maximum de 14 po (35,6 cm)**
- D. *24 po (61 cm) typique***
- E. *30 po (76,2 cm) minimum*
- F. *60 po (152,4 cm) minimum*

Les dimensions exactes peuvent varier en fonction du type de cuisinière/table de cuisson ci-dessous.

* Profondeur de l'armoire supérieure et de l'armoire latérale : Minimum de 12 po (30,5 cm), maximum de 14 po (35,6 cm)*

** 24 po (61 cm) est habituel pour une hauteur d'installation de 60 po (152,4 cm).



- A. Profondeur de l'armoire : 12 po (30,5 cm) à 14 po (35,6 cm)
- B. Armoire
- C. Plaque de montage
- D. Profondeur de l'armoire : 14 po (35,6 cm) à 15 po (38,1 cm)
- E. Ensemble de montage de bourrelet

REMARQUE: Pour garantir de bons résultats, ne pas obstruer l'ouverture d'évacuation supérieure. Si la largeur des armoires est de plus de 14 po (35,6 cm), mais pas plus de 15 po (38,1 cm), utiliser l'ensemble de montage de bourrelet pour remplacer la plaque de montage sur le mur. L'ensemble de montage de bourrelet (numéro de pièce W11185746) n'est pas fourni, mais peut être acheté de Whirlpool.

Pour commander, voir la section « Information de commande en ligne » du Guide de démarrage rapide.

Pour d'autres dimensions d'armoire, nous suggérons de sélectionner d'autres produits Whirlpool.

Spécifications électriques

⚠ AVERTISSEMENT



Risque de décharge électrique

Brancher l'appareil sur une prise à 3 alvéoles reliée à la terre.

Ne pas enlever la prise de liaison à la terre.

Ne pas utiliser d'adaptateur.

Ne pas utiliser de rallonge.

Le non-respect de ces instructions peut causer un décès, un incendie ou une décharge électrique.

Observer les dispositions de tous les codes et règlements en vigueur.

Exigences :

- Alimentation de 120 V CA à 60 Hz et protégée par un fusible ou un disjoncteur temporisé de 15 ou 20 A seulement.

Recommandation :

- Fusible ou disjoncteur temporisé.
- Circuit distinct exclusif au four à micro-ondes.

INSTRUCTIONS DE LIAISON À LA TERRE

Pour un appareil avec liaison à la terre et cordon d'alimentation :

Cet appareil doit être relié à la terre. En cas d'anomalie de fonctionnement ou de panne, la liaison à la terre réduira le risque de décharge électrique en offrant au courant électrique un itinéraire d'évacuation de moindre résistance. L'appareil est doté d'un cordon électrique comportant un conducteur de mise à la terre d'équipement et une fiche de branchement de liaison à la terre. La fiche doit être branchée sur une prise de courant appropriée qui soit bien installée et reliée à la terre conformément à tous les codes et règlements locaux.

AVERTISSEMENT : Un raccordement inapproprié du conducteur de mise à la terre de l'équipement peut causer un risque de décharge électrique. En cas de doute quant à la qualité de la mise à la terre de l'appareil, consulter un électricien ou un technicien d'entretien qualifié. Ne pas modifier la fiche fournie avec cet appareil; si elle ne correspond pas à la prise de sortie, faire installer une prise appropriée par un électricien qualifié.

CONSERVER CES INSTRUCTIONS

Cet appareil est conforme à la norme ICES-001 d'Industrie Canada.

PRÉPARATION DU FOUR À MICRO-ONDES AVEC HOTTE

Préparation de l'ensemble four à micro-ondes/hotte

⚠ AVERTISSEMENT

Risque de poids excessif

Utiliser deux personnes ou plus pour déplacer et installer l'appareil.

Le non-respect de cette instruction peut causer une blessure au dos ou d'autres blessures.

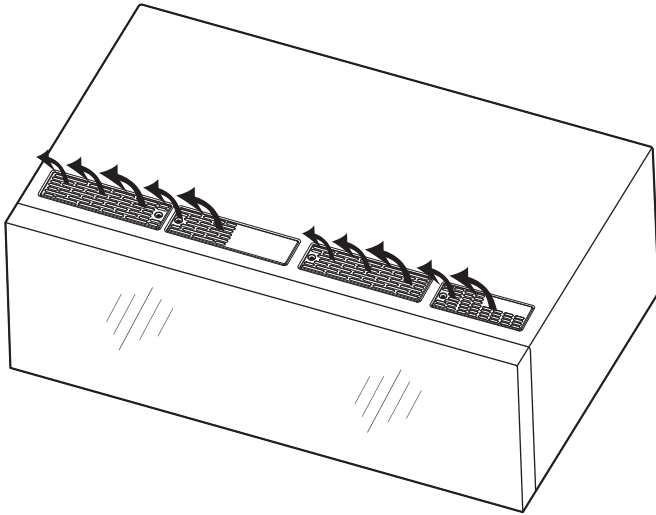
1. Couvrir la surface de travail pour éviter de l'endommager.
2. Retirer la plaque de carton de la mousse extérieure dans la boîte. Elle servira pour l'installation sur l'armoire supérieure et le mur.
3. Retirer les couvercles de ventilation de la mousse supérieure dans le carton, ils sont utilisés pour l'installation en haut de l'armoire et au mur.
4. Retirer le paquet de vis de la mousse supérieure du carton.
5. Retirer la documentation de la mousse supérieure dans la boîte.
6. Retirer les matériaux d'emballage, le ruban adhésif et la pellicule protectrice du four à micro-ondes.
7. Retirer la plaque de montage de la mousse supérieure dans la boîte.
8. Retirer le plateau rotatif en verre de la mousse supérieure dans la boîte.
9. Retirer le clapet antiretour de la mousse inférieure du carton.
10. Retirer l'anneau de support du plateau rotatif de la mousse inférieure dans la boîte.
11. Utiliser du ruban adhésif pour immobiliser la porte fermée du four à micro-ondes, pour qu'elle ne puisse pas s'ouvrir durant les manutentions du four.

Type d'installation

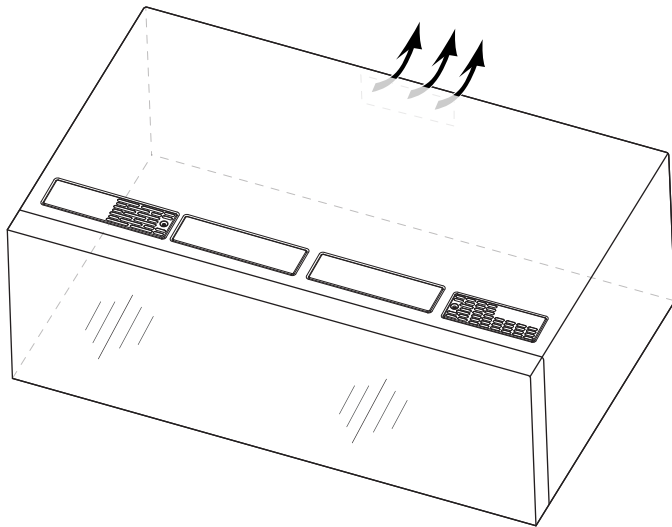
Ce four à micro-ondes est conçu pour s'adapter aux trois types de ventilation suivantes, choisir un type avant l'installation.

REMARQUE : Pour l'évacuation par le toit ou le mur, le filtre à charbon n'est pas nécessaire, désinstaller le filtre à charbon avant l'utilisation. Voir les détails à la section « Achever l'installation ».

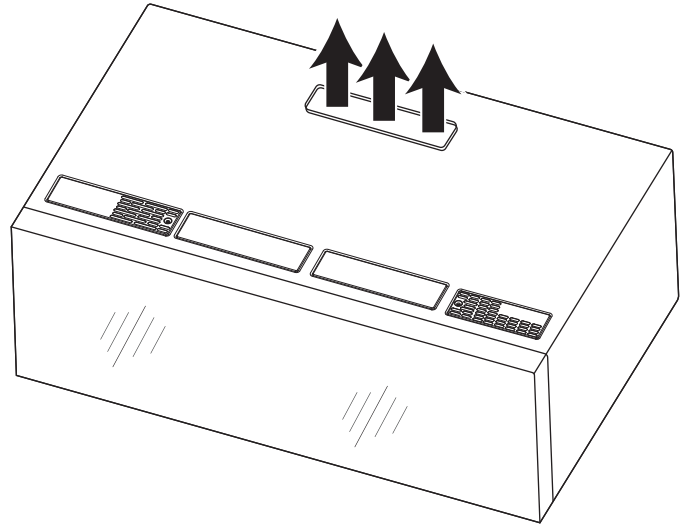
Recirculation (Configuration d'usine par défaut)



Évacuation par le mur



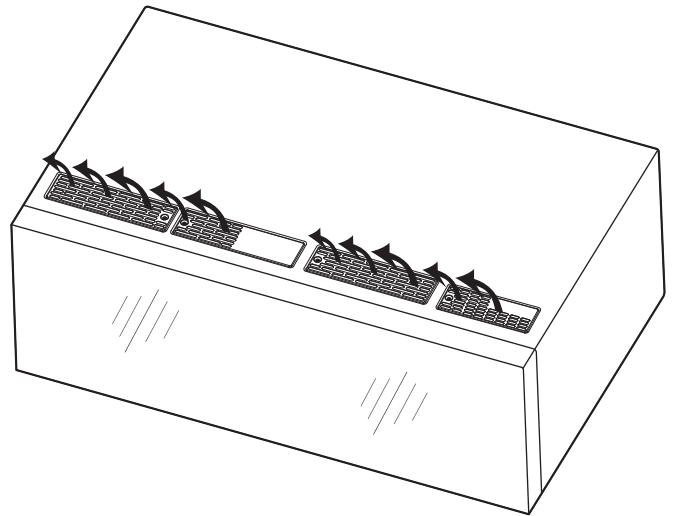
Évacuation par le toit



INSTRUCTIONS D'INSTALLATION

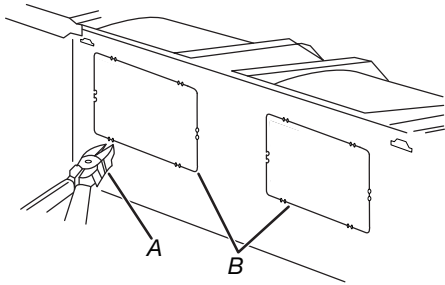
Le four à micro-ondes a été configuré à l'usine pour une installation avec recyclage. Pour la décharge de l'air aspiré par le mur ou le toit, on doit modifier le système de ventilation.

REMARQUE : Ne pas tenir compte de la section suivante pour une installation avec recyclage. Passer à la section « Identification de la position du/des poteaux du colombage mural ». Conserver le module du volet de sortie pour le cas où la configuration d'installation serait ultérieurement modifiée ou s'il devenait nécessaire de réinstaller le four à micro-ondes à un autre endroit, avec décharge à l'extérieur par le mur ou par le toit.



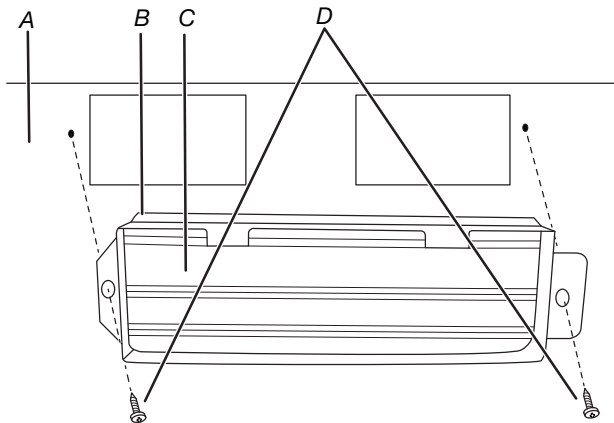
Installation du clapet antiretour (pour une évacuation par le mur)

1. Utiliser une pince coupante diagonale pour découper doucement le couvercle du conduit rectangulaire sur le clapet antiretour.



A. Pince coupante
B. Couvercles de clapet antiretour

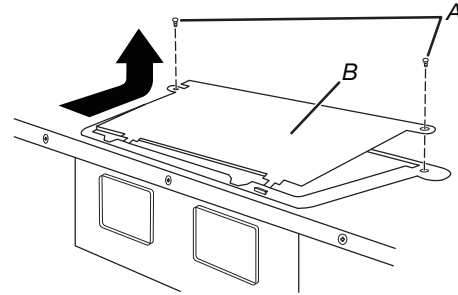
2. Trouver le clapet dans la mousse extérieure dans le carton.
3. Vérifier que la plaque du clapet manœuvre librement et s'ouvre complètement.
4. Positionner le clapet antiretour sur le dos du four à micro-ondes de manière à ce que la charnière de la lame du clapet antiretour soit en haut et que le clapet antiretour s'ouvre à l'écart du four à micro-ondes.
5. Fixer le clapet à l'aide de deux vis de tôlerie no 6 x 3/8 po, voir l'illustration ci-dessus.



A. Arrière du four à micro-ondes
B. Clapet antiretour
C. Lame du clapet antiretour
D. Vis à tôle no 6 x 3/8 po (dans l'emballage des vis)

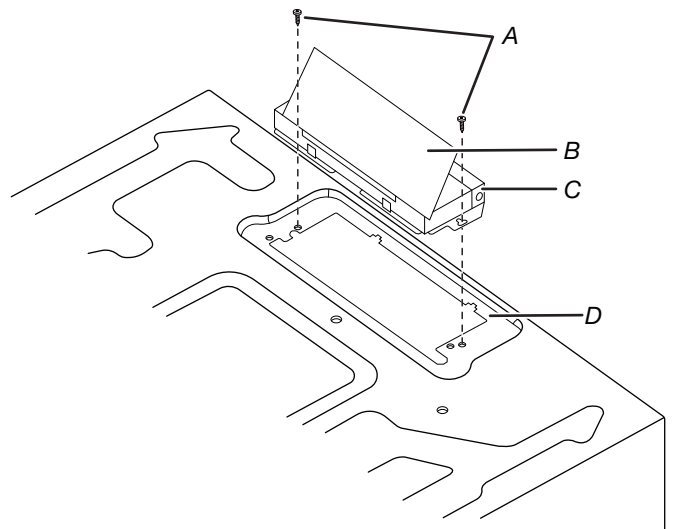
Installation du clapet antiretour (pour une évacuation par le toit)

1. Ôter les vis fixant la plaque de support de la plaque du clapet antiretour à la partie supérieure de l'extérieur du four à micro-ondes. Faire glisser la plaque du clapet antiretour vers l'avant du four à micro-ondes et la soulever.



A. Vis
B. Plaque de support du clapet

2. Trouver le clapet dans la mousse extérieure dans le carton.
3. Vérifier que la plaque du clapet manœuvre librement et s'ouvre complètement.
4. Positionner le clapet antiretour sur le dos du four à micro-ondes de manière à ce que la charnière de la lame du clapet antiretour soit en haut et que le clapet antiretour s'ouvre à l'écart du four à micro-ondes.
5. Fixer le clapet à l'aide de deux vis de tôlerie no 6 x 3/8 po, voir l'illustration ci-dessus.



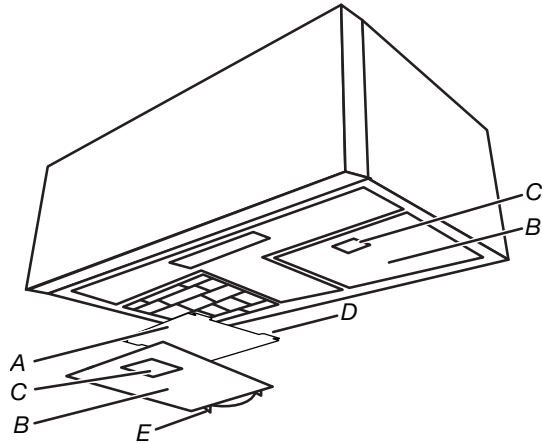
A. Vis à tôle no 6 x 3/8 po (dans l'emballage des vis)
B. Lame du clapet antiretour
C. Clapet antiretour
D. Sommet du four à micro-ondes

REMARQUE : Pour assurer une bonne performance du flux d'air, pour décharge par le mur et le toit, retirer les filtres au charbon de la plaque inférieure avant d'utiliser le four à micro-ondes.

Retrait du filtre à charbon :

- a. Débrancher l'alimentation.
- b. Retirer le filtre à graisse en poussant les prises pour les doigts vers l'arrière, puis en tirant vers le bas les filtres au charbon de la plaque inférieure et les conserver pour un usage ultérieur.

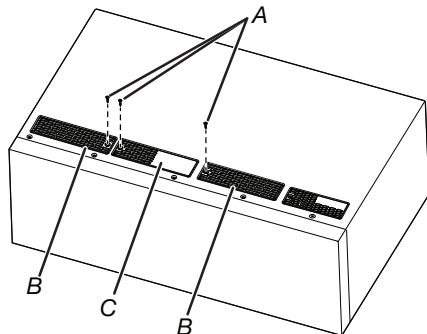
- c. Remettre le filtre à graisse dans la plaque inférieure et le ressort vers l'arrière. Repousser les prises pour les doigts jusqu'à ce que les deux languettes soient en position.



- A. Filtres à charbon
 B. Filtres à graisse
 C. Prises pour les doigts
 D. Crochets du filtre à charbon
 E. Ressort du filtre à graisse

Installation des cache-conduits (pour l'évacuation par le mur ou le toit)

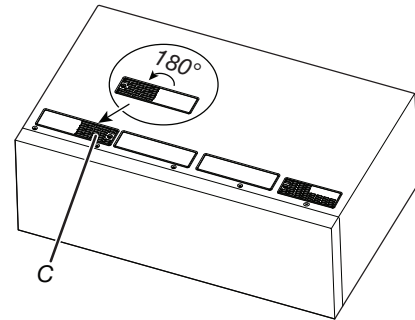
1. Retirer les vis du couvercle B et C. Les faire glisser à l'extérieur. Conserver C pour l'étape 2.



- A. Vis
 B. Couvertres de ventilation de recyclage
 C. Protège-ampoule de recyclage

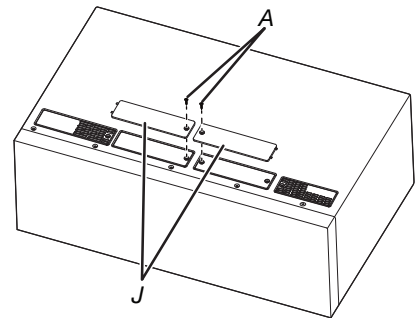
REMARQUE : Conserver B pour une installation future de la ventilation de recyclage.

2. Faire pivoter C de 180 degrés, le placer comme illustré ci-dessous.



C. Protège-ampoule de recyclage

3. Prendre J situés dans la partie supérieure de l'emballage en mousse (consulter la section « Pièces fournies »), fixer les deux pièces comme illustré ci-dessous en utilisant la vis enlevée à l'étape 1.



- A. Vis
 J. Couvertres de décharge

Trouver les montants de cloison

REMARQUE : S'il n'y a aucun poteau du colombage dans l'ouverture d'encastrement de l'armoire, ne pas installer le four à micro-ondes.

Voir les illustrations dans « Configurations possibles des montants de cloison ».

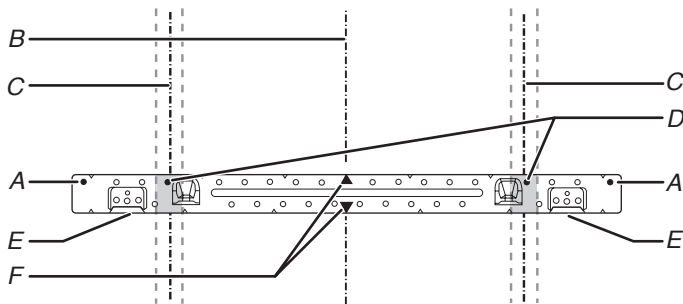
1. Utiliser un détecteur de montant pour localiser dans l'ouverture les bords des montants de cloison.
2. Marquer la position du centre de chaque montant de cloison et tracer l'axe de chaque montant à l'aide d'un fil à plomb. Voir les illustrations dans « Configurations possibles des montants de cloison ».

Configurations possibles des montants de cloison

Les illustrations ci-dessous présentent des exemples des configurations préférentielles d'installation avec la plaque de montage.

Aucun poteau du colombage à la position des trous d'extrémité

Figure 1

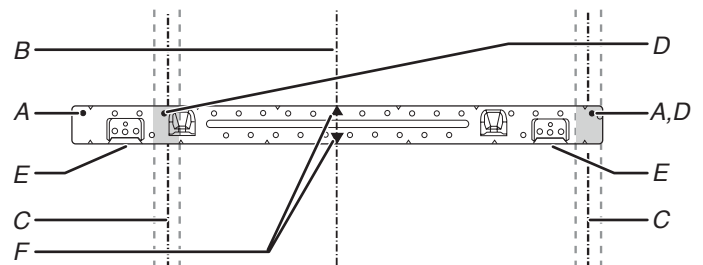


- A. Trous d'extrémité (sur la plaque de montage)
- B. Axe vertical central de l'ouverture dans l'armoire
- C. Axe vertical de montant de cloison

- D. Trous pour vis d'ancrage
- E. Pattes de support
- F. Marquage du centre sur plaque de montage

Aucun poteau du colombage à la position des trous d'extrémité

Figure 3

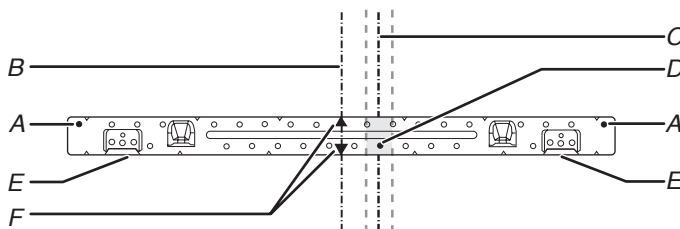


- A. Trous d'extrémité (sur la plaque de montage)
- B. Axe vertical central de l'ouverture dans l'armoire
- C. Axe vertical de montant de cloison

- D. Trous pour vis d'ancrage
- E. Pattes de support
- F. Marquage du centre sur plaque de montage

Montant de cloison à la position des trous d'extrémité

Figure 2



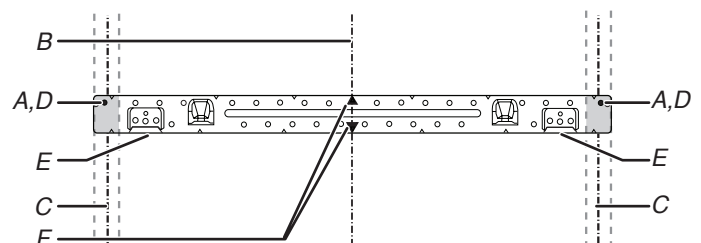
REMARQUE : Si le montant de cloison se trouve à moins de 6 po (15,2 cm) de l'axe central vertical, seule une installation sans évacuation à l'extérieur [recyclage] ou une installation avec évacuation à travers le toit peut être réalisée.

- A. Trous d'extrémité (sur la plaque de montage)
- B. Axe vertical central de l'ouverture dans l'armoire
- C. Axe vertical de montant de cloison

- D. Trous pour vis d'ancrage
- E. Pattes de support
- F. Marquage du centre sur plaque de montage

Montant de cloison à la position des trous d'extrémité

Figure 4

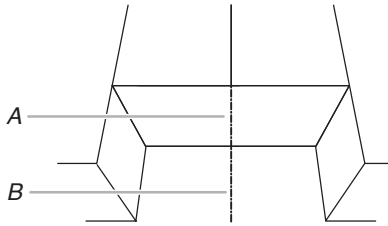


- A. Trous d'extrémité (sur la plaque de montage)
- B. Axe vertical central de l'ouverture dans l'armoire
- C. Axe vertical de montant de cloison

- D. Trous pour vis d'ancrage
- E. Pattes de support
- F. Marquage du centre sur plaque de montage

Maque pour l'armoire supérieure

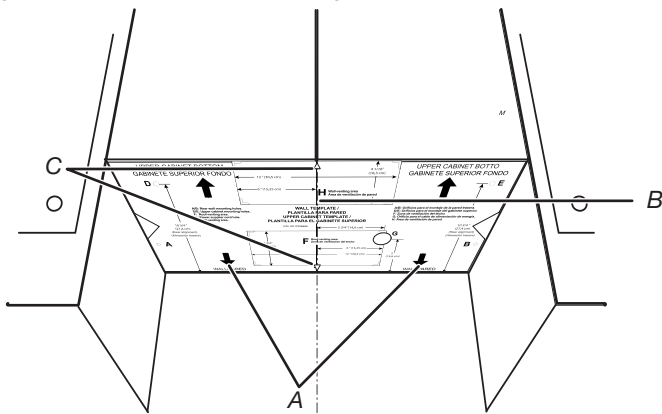
1. Utiliser un ruban à mesurer pour mesurer et marquer clairement la position de l'axe central vertical de l'ouverture. S'assurer qu'elle s'aligne avec l'axe central vertical au mur. Utiliser un crayon pour tracer les lignes médianes sur l'armoire supérieure et le mur.



A. Axe central de l'armoire supérieure
B. Axe central au mur

REMARQUE : La plaque en carton est adaptée à l'installation d'armoires d'une profondeur de 12 po à 14 po (30,5 à 35,6 cm), si les armoires sont plus grandes que 14 po (35,6 cm), et jusqu'à 15 po (38,1 cm), utiliser l'ensemble de montage en saillie, qui remplace la plaque de montage fournie avec le produit. L'ensemble de montage de bourrelet (numéro de pièce – W11185746) n'est pas fourni.

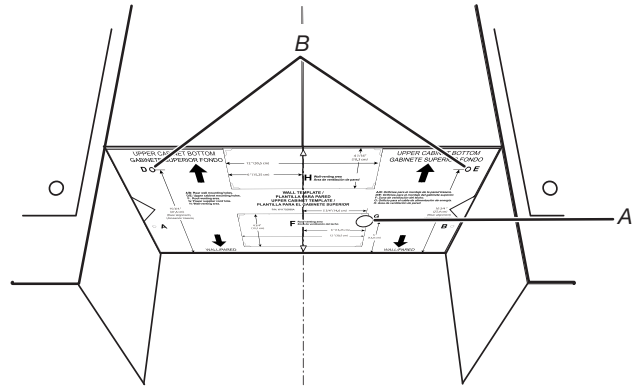
Pour commander, voir la section Information de commande en ligne de votre Guide de démarrage rapide.



A. Flèches vers le mur
B. Axe central de l'armoire supérieure
C. Marques centrales sur la plaque de carton

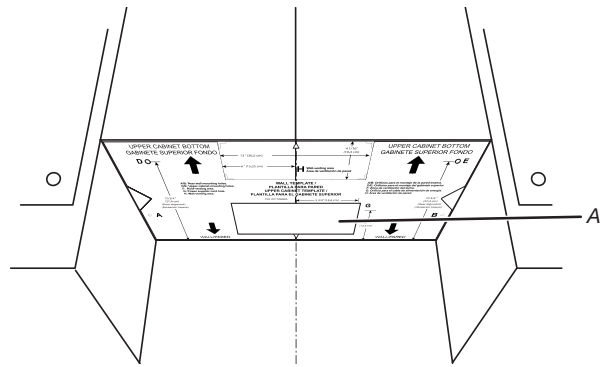
2. Placer la plaque de carton contre le fond de l'armoire supérieure. S'assurer que l'axe de la plaque de carton est aligné avec l'axe de l'armoire supérieure qui a été dessiné à l'étape 1. Et les flèches vers le mur (A) doivent être contre le mur arrière afin que les trous découpés dans l'armoire supérieure s'alignent avec les trous dans la partie supérieure du four à micro-ondes.

3. Utiliser un crayon pour marquer le trou d'alimentation (G) et les deux trous de montage (D) et (E) comme indiqué dans la figure suivante. S'assurer que la dimension de 10 3/4 po (27,4 cm) entre le mur arrière et les points « D » et « E » de la plaque de montage est maintenue. Et 1 1/2 po (3,8 cm) de diamètre pour le trou « G ».



A. Trou du cordon d'alimentation
B. Trous des écrous de montage

4. Utiliser un crayon pour marquer un trou d'évacuation dans l'armoire supérieure. Cette étape peut être sautée si l'appareil fait recirculer l'air ou effectue l'évacuation par le mur.



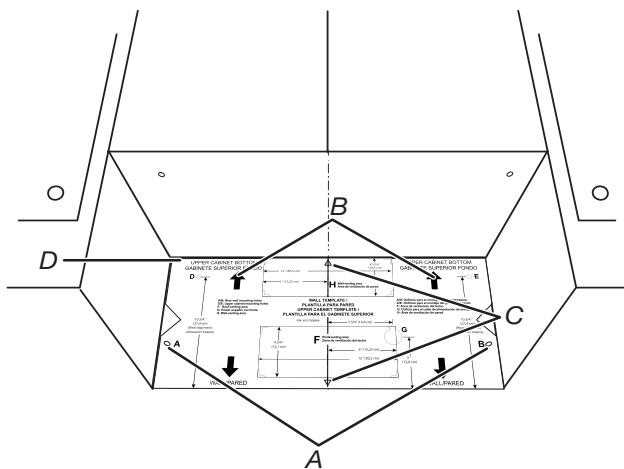
A. Avec trou d'évacuation par l'armoire supérieure

Marque sur le mur arrière

Le four à micro-ondes doit être fixé sur au moins 1 montant de cloison, mais de préférence sur 2 montants; on utilise pour cela au moins 1 vis d'ancrage, mais de préférence 2. Voir la section « Trouver les montants de cloison » pour trouver les montants de cloison.

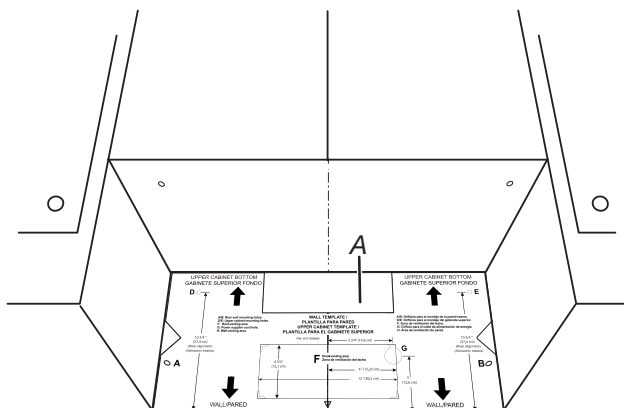
Aligner les marques centrales de la plaque de carton avec l'axe central sur le mur en faisant attention qu'elles soient bien de niveau et que le haut du gabarit en carton est bien positionné bout à bout avec le bord arrière de l'armoire supérieure. (voir la **REMARQUE** ci-dessous avant de tracer).

1. Utiliser un crayon pour dessiner deux petits cercles A et B.



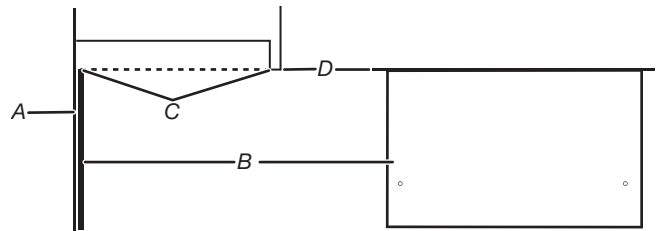
- A. Trous A et B
- B. Flèches vers l'armoire supérieure
- C. Marques centrales sur la plaque de carton
- D. Bord arrière de l'armoire supérieure

2. Marquer au crayon le trou d'évacuation sur le mur (pour installation avec décharge murale seulement). Sauter cette étape si l'appareil effectue la recirculation de l'air ou si l'évacuation s'effectue par l'armoire supérieure.



- A. Trou d'évacuation par le mur

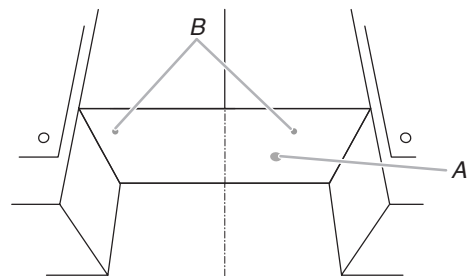
REMARQUE : Si le bord avant de l'armoire supérieure est plus bas que le bord arrière, abaisser le gabarit de carton de manière à ce que son sommet soit au même niveau que le bord avant de l'armoire.



- A. Mur arrière
- B. Plaque de carton
- C. Le haut de la plaque de carton doit s'aligner avant le bord avant de l'armoire
- D. Bord avant de l'armoire supérieure

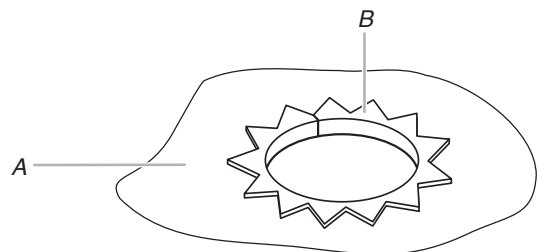
Percer les trous dans l'armoire supérieure

1. Découper le trou (A) pour cordon d'alimentation à l'aide d'une perceuse et d'une scie-cloche de 3/4 po (1,9 cm).
2. Percer deux trous pour écrou de montage (B) de 3/8 po (10 mm) aux points « D » et « E » du gabarit en carton. Ces trous sont utilisés pour le passage de deux vis de 1/4 – 20 x 3 po avec rondelles qui sont utilisées pour la fixation du four à micro-ondes contre l'armoire supérieure.



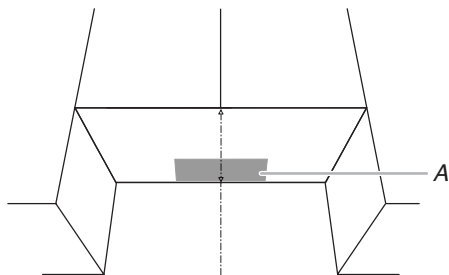
- A. Trou du cordon d'alimentation
- B. Trous des écrous de montage

REMARQUE : Si l'armoire supérieure est métallique, la garniture du cordon d'alimentation nécessite d'être installée autour du trou de passage du cordon d'alimentation – voir l'illustration.



- A. Armoire métallique
- B. Bague de cordon d'alimentation électrique

- À l'aide d'une scie à guichet, découper la zone rectangulaire pour le passage du conduit d'évacuation par le toit. Passer cette étape si l'appareil est installé avec une recirculation ou une évacuation par le mur.



A. Zone de coupe pour l'évacuation par le toit

Perçage de trous dans le mur arrière

- Perçer des trous aux points A, B, H et J; si les montants de cloison ne se trouvent pas au niveau des trous A et B, ne pas perçer des trous aux points A et B et suivre les instructions ci-dessous. En plus d'être fixé sur au moins un montant de cloison, on doit également fixer la plaque de montage sur le mur au niveau des deux trous d'extrémité. Si la position des trous ne coïncide pas avec des montants de la cloison, utiliser deux vis à tête ronde de 3/16 – 24 x 3 po avec écrou articulé; s'il y a un trou d'extrémité qui coïncide avec les montants de la cloison, utiliser une vis d'ancrage et une vis à tête ronde de 3/16 – 24 x 3 po avec écrou articulé; si les deux trous coïncident avec les montants de la cloison, utiliser deux vis d'ancrage. On présente ci-dessous 3 configurations d'installation.

Installation s'il n'y a aucun montant de cloison aux trous d'extrémités

(illustrations 1 et 2 dans la section trouver les montants de cloison)

- Perçer des trous de 5/8 po (1,6 cm) à travers le mur à l'emplacement des deux trous d'extrémité marqués à l'étape 3 de la section « Tracé sur le mur arrière ».
- Perçer des trous de 3/16 po (5 mm) dans les montants de cloison à l'emplacement des trous marqués à l'étape 6 de la section « Marque sur le mur arrière. » Voir les illustrations 1 et 2 du point « Configurations possibles des montants de cloison » à la section « Identifier la position du/des montants de cloison ».

Installation s'il y a un montant de cloison à un trou d'extrémité

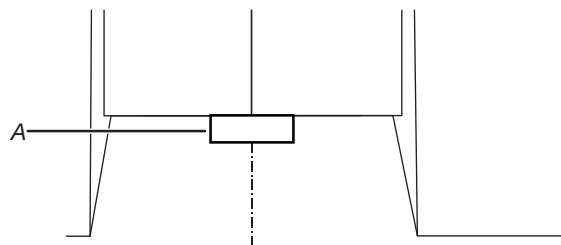
(illustration 3 dans la section trouver les montants de cloison)

- Perçer un trou de 3/16 po (5 mm) à travers le montant à l'emplacement du trou d'angle marqué à l'étape 3 dans « Tracé sur le mur arrière ».
- Si on souhaite fixer l'appareil sur un second montant de cloison, perçer un trou de 3/16 po (5 mm) dans le montant à l'emplacement de l'autre trou marqué à l'étape 6 dans « Tracé sur le mur arrière ». Voir la figure 3 de la partie « Configurations possibles des montants de cloison » de la section « Identifier la position des montants de la cloison ».
- Perçer un trou de 5/8 po (1,6 cm) à travers le mur, à l'autre extrémité.

Installation s'il y a un montant de cloison aux deux trous d'extrémités

(illustration 4 dans la section trouver les montants de cloison)

- Perçer des trous de 3/16 po (5 mm) à travers le montant à l'emplacement des trous d'angle marqués à l'étape 3 dans « Tracé sur le mur arrière ».
- À l'aide d'une scie à guichet, découper la zone rectangulaire pour le passage du conduit d'évacuation par le mur. Passer cette étape si l'appareil est installé avec une recirculation ou une évacuation par le plafond.



A. Zone de coupe pour l'évacuation par le mur

Fixation de la plaque de montage au mur

1. Positionner la plaque de montage sur le mur.
2. Fixer la plaque de montage sur le mur; utiliser les organes de fixation appropriés dans les deux trous d'extrémité percés dans les montants de cloison ou à travers le panneau de gypse – vis à tête ronde de 3/16 – 24 x 3 po avec écrou articulé ou tirefond de 1/4 po x 2 po.

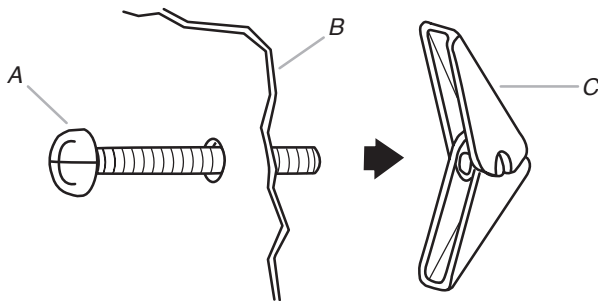
Voir les illustrations du point « Configurations possibles du colombage mural » dans la section « Identification de la position des montants de cloison » et suivre les sections suivantes « Aucun montant de cloison ne coïncide avec les trous d'extrémité (illustrations 1 et 2 de la section trouver les montants de cloison) » ou « montant de cloison à un trou d'extrémité (illustration 3 dans la section trouver les montants de cloison) ».

3. Insérer les vis d'ancrage dans les deux trous d'extrémité.
4. Contrôler l'alignement de la plaque de montage; veiller à établir un bon aplomb.
5. Placer les vis des deux trous d'extrémités.

Installation s'il n'y a aucun montant de cloison aux trous d'extrémités (illustrations 1 et 2 dans la section trouver les montants de cloison)

REMARQUE : La plaque de montage doit être fixée sur le mur à au moins un montant de cloison, ainsi qu'aux deux extrémités.

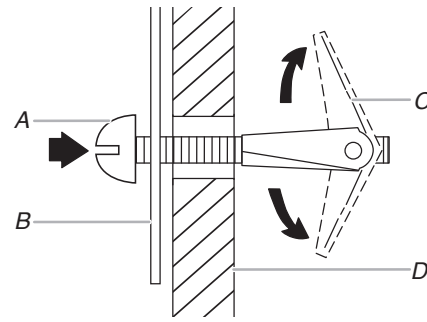
1. Alors que les pattes de support de la plaque de montage sont orientées vers l'avant, insérer des vis à tête ronde de 3/16-24 x 3 po dans les deux trous d'extrémité de la plaque de montage.
2. Engager un écrou articulé sur chaque vis par l'arrière de la plaque de montage. Veiller à disposer de suffisamment d'espace pour que les écrous articulés puissent traverser le panneau de gypse et se déployer à l'intérieur de la cavité murale.



A. Vis à tête ronde de 3/16 – 24 x 3 po
B. Plaque de montage
C. Écrou articulé

3. Positionner la plaque de montage sur le mur.

4. Pousser les deux vis avec écrou articulé à travers le panneau de gypse; visser les vis à la main pour vérifier que chaque écrou articulé s'est déployé et prend appui contre le panneau de gypse.



A. Vis à tête ronde de 3/16 – 24 x 3 po
B. Plaque de montage
C. Écrou articulé
D. Panneau de gypse

5. Insérer les tirefonds dans les trous percés dans les montants de cloison à l'étape 2 du paragraphe « Installation lorsqu'aucun montant de cloison ne coïncide avec les trous d'extrémité » de la section « Perçage des trous dans le mur arrière ».
6. Contrôler l'alignement de la plaque de montage; veiller à établir un bon aplomb.
7. Serrer solidement tous les écrous et tirefonds.

Un montant de cloison à un trou d'extrémité (illustration 3 dans la section trouver les montants de cloison)

1. Alors que les pattes de support de la plaque de montage sont orientées vers l'avant, insérer une vis à tête ronde de 3/16 – 24 x 3 po dans le trou d'angle coïncidant avec le trou de 5/8 po (16 mm) percé à l'étape 3 du paragraphe « Installation avec un montant de cloison coïncidant avec un trou d'extrémité » de la section « Perçage des trous dans le mur arrière ».
2. Engager un écrou articulé sur la vis par l'arrière de la plaque de montage. Veiller à disposer de suffisamment d'espace pour que l'écrou articulé puisse traverser le panneau de gypse et se déployer à l'intérieur de la cavité murale.
3. Positionner la plaque de montage sur le mur.
4. Pousser la vis avec écrou articulé à travers le panneau de gypse; visser la vis à la main pour vérifier que chaque écrou articulé s'est déployé et prend appui contre le panneau de gypse.
5. Insérer un tirefond dans le trou d'extrémité restant.
6. S'il est possible de fixer également l'appareil sur un second montant de cloison, insérer une vis d'ancrage dans l'autre trou percé à l'étape 2 du paragraphe « Installation avec un montant de cloison coïncidant avec un trou d'extrémité » de la section « Perçage des trous dans le mur arrière ». Contrôler l'alignement de la plaque de montage; veiller à établir un bon aplomb.
7. Serrer solidement toutes les pièces d'ancrage.

Montants de cloison en coïncidence avec deux trous d'extrémité (illustration 4)

1. Positionner la plaque de montage sur le mur.
2. Insérer les vis d'ancrage dans les deux trous d'extrémité.
3. Contrôler l'alignement de la plaque de montage; veiller à établir un bon aplomb.
4. Serrer solidement les vis d'ancrage.

Installation du four à micro-ondes

⚠ AVERTISSEMENT

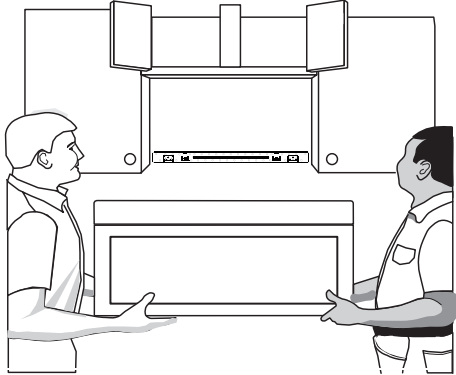
Risque de poids excessif

Utiliser deux personnes ou plus pour déplacer et installer l'appareil.

Le non-respect de cette instruction peut causer une blessure au dos ou d'autres blessures.

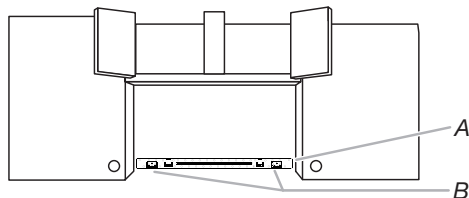
IMPORTANT : Le côté de l'appareil où se trouve la commande est le plus lourd. Manipuler le four à micro-ondes délicatement.

1. Placer une rondelle sur chaque vis à tête plate de 1/4– 20 x 3 po; placer les vis à l'intérieur de l'armoire supérieure, à proximité des trous de 3/8 po (9.5 mm).
2. Vérifier que la porte du four à micro-ondes est fermée, et qu'elle est immobilisée par du ruban adhésif.



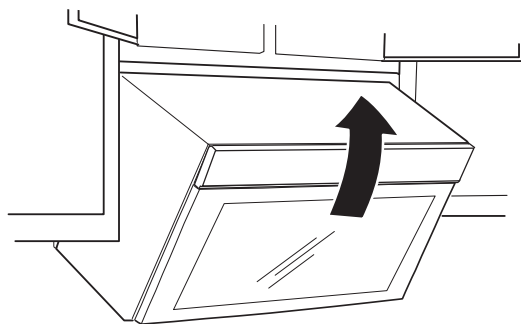
3. À l'aide de 2 personnes ou plus, soulever le four à micro-ondes et le suspendre aux pattes de support situées en bas de la plaque de montage.

REMARQUE : Pour éviter d'endommager le four à micro-ondes, ne pas saisir et utiliser la porte ou la porte pendant la manipulation du four à micro-ondes.



A. Plaque de montage
B. Pattes de support

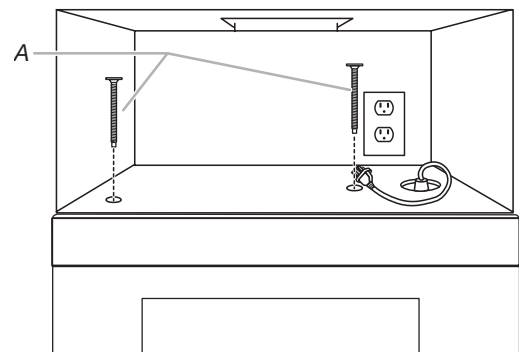
4. Alors que l'avant du four à micro-ondes est encore incliné, enfiler le cordon d'alimentation à travers le trou de passage percé dans le fond de l'armoire supérieure.



5. Redresser le four à micro-ondes vers l'armoire supérieure.
REMARQUE : Pour une évacuation par le mur, veiller à ce que le clapet s'insère facilement dans le conduit dans l'ouverture du mur.
6. Pousser le four à micro-ondes contre la plaque de montage; maintenir le four.
REMARQUE : Si aucun autre ajustement de la position du four à micro-ondes n'est nécessaire, passer les étapes 7 à 9.
7. Si un ajustement est nécessaire, faire pivoter le four à micro-ondes vers le bas. Faire intervenir 2 personnes ou plus pour soulever le four à micro-ondes et le dégager de la plaque de montage; placer le four à part sur une surface protégée.
8. Desserrer les vis de la plaque de montage. Ajuster la plaque de montage et resserrer les vis.
9. Répéter les étapes 3 à 6.
10. Alors que le four à micro-ondes est centré, et tandis qu'au moins une personne le maintient en place, insérer les vis à travers l'armoire supérieure et dans le four à micro-ondes. Serrer les vis jusqu'à ce qu'il ne reste aucun espace entre l'armoire supérieure et le four à micro-ondes.

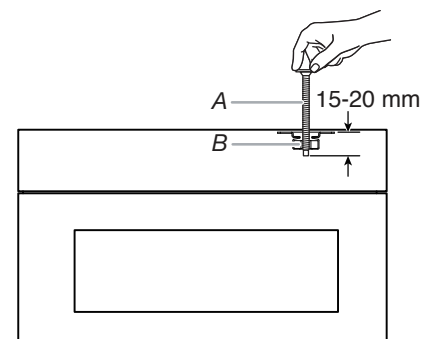
REMARQUES:

- Certaines configurations des armoires supérieures nécessitent l'emploi de vis plus longues ou plus courtes que 3 po (7,6 cm). Acheter les vis nécessaires (plus longues ou plus courtes) dans une quincaillerie locale.
- Un serrage excessif des vis peut provoquer une déformation (gauchissement) du sommet du four à micro-ondes. Pour éviter un gauchissement, on peut ajouter des cales d'appui en bois (l'installateur les fournit). L'épaisseur des cales doit correspondre à l'épaisseur de l'espace résiduel entre le fond de l'armoire supérieure et le four à micro-ondes.



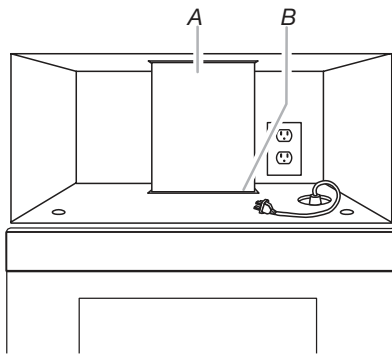
A. Vis

- Pour éviter d'endommager l'écrou de montage, vissez d'abord les vis dans les trous d'écrou de montage à la main de profondeur d'environ de 15 à 20 mm, en veillant à ce que les vis s'enfilent correctement. Serrer ensuite les vis à l'aide d'un outil.



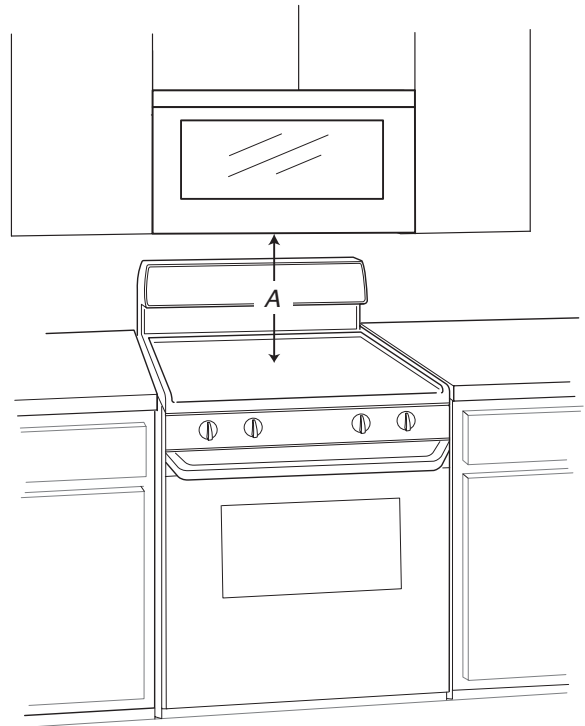
A. Vis
B. Écrou de montage

11. Connecter le conduit d'évacuation au clapet.



A. Système d'extraction
B. Clapet antiretour (sous le conduit d'évacuation) compacte

Conserver le guide d'utilisation pour une éventuelle réutilisation future.



A. La hauteur entre le point le plus élevé de la cuisinière et le bas du four à micro-ondes doit être de 13,7 po (34,8 cm)

Achever l'installation

⚠ AVERTISSEMENT



Risque de décharge électrique

Brancher l'appareil sur une prise à 3 alvéoles reliée à la terre.

Ne pas enlever la prise de liaison à la terre.

Ne pas utiliser d'adaptateur.

Ne pas utiliser de rallonge.

Le non-respect de ces instructions peut causer un décès, un incendie ou une décharge électrique.

1. Brancher le four à micro-ondes sur une prise à trois alvéoles reliée à la terre.
2. Rebrancher l'alimentation.
3. Contrôler le fonctionnement du four à micro-ondes : placer 1 récipient contenant 250 mL d'eau dans la plateau rotatif et programmer une période de chauffage de 1 minute à la puissance maximale (100 %). Faire fonctionner le ventilateur d'extraction pour tester son fonctionnement.
4. Si le four à micro-ondes ne fonctionne pas :
 - Déterminer si un fusible est grillé ou si un disjoncteur est déclenché. Remplacer le fusible ou réenclencher le disjoncteur. Si le problème persiste, appeler un électricien.
 - Vérifier que le cordon d'alimentation est correctement branché sur une prise à 3 alvéoles reliée à la terre.
5. Consulter le Guide de démarrage rapide pour obtenir plus d'informations.

L'installation est maintenant terminée.

SPÉCIFICATIONS/CONCEPTION DU CIRCUIT D'ÉVACUATION

Cette section présente de l'information de référence uniquement, à l'intention des architectes/concepteurs et constructeurs.

REMARQUES :

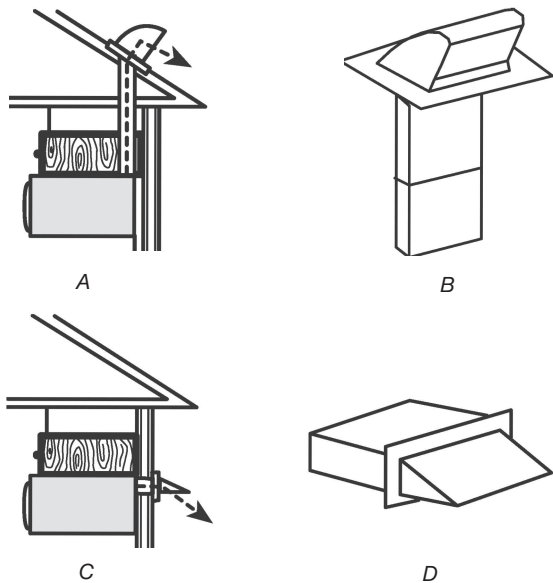
- Les matériaux du circuit d'évacuation nécessaires à l'installation ne sont pas fournis avec l'ensemble four à micro-ondes/hotte.
- On déconseille l'emploi d'un conduit métallique flexible.
- Pour éviter d'éventuelles détériorations du produit, veiller à ce que l'air aspiré soit déchargé à l'extérieur sauf dans le cas d'une installation avec recyclage. Veiller à ce que l'air aspiré ne soit pas déchargé dans espace fermé dissimulé (cavité dans une cloison), au-dessus du plafond, grenier, vide sanitaire ou garage.

Recommandations pour un circuit d'évacuation optimal :

- Utiliser une bouche de décharge (murale ou sur toit) comportant un registre antirefoulement.
- Utiliser un conduit métallique rigide.
- Utiliser l'itinéraire d'acheminement le plus direct; réduire la longueur du circuit et le nombre de coudes pour obtenir un fonctionnement efficace.
- Utiliser des conduits de taille uniforme.
- Assurer l'étanchéité de toutes les jointures des conduits avec du ruban adhésif pour conduits.
- Utiliser un composé de calfeutrage pour assurer l'étanchéité autour de la bouche de décharge (murale ou sur toit).
- Ne pas connecter ensemble 2 raccords coudés, pour optimiser la performance de la hotte.

Dans le cas de la décharge à travers le mur, veiller à disposer de l'espace libre suffisant à l'intérieur du mur pour que la plaque du registre puisse s'ouvrir complètement.

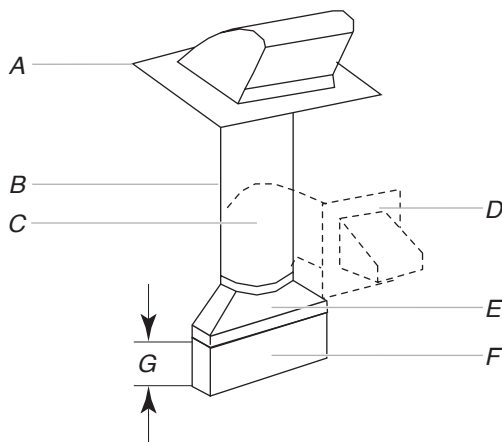
Dans le cas de la décharge à travers le toit, si on doit utiliser un raccord de transition (de rectangulaire à rond), veiller à disposer d'un espace libre d'au moins 3 po (7,6 cm) entre le sommet du four à micro-ondes et le raccord de transition. Voir l'illustration « Raccord de transition rectangulaire/rond ».



- A. Décharge à travers le toit
 B. Bouche de décharge sur toit
 C. Décharge à travers le mur
 D. Bouche de décharge murale

Raccord de transition rectangulaire/rond

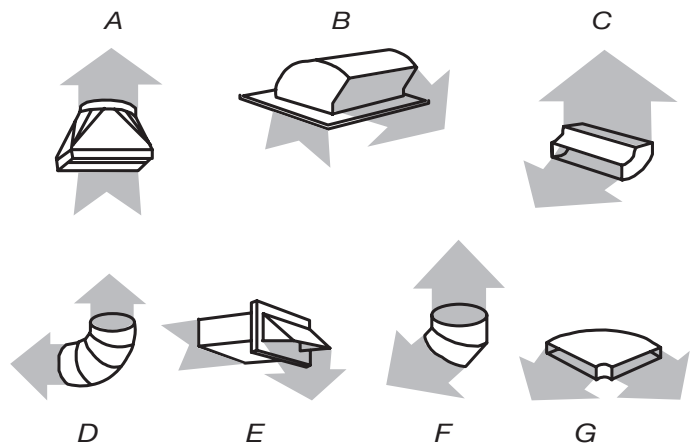
REMARQUE : On doit disposer d'un espace libre de 3 po (7,6 cm) ou plus entre le sommet du four à micro-ondes et le raccord de transition rectangulaire/rond pour que le clapet antiretour puisse bouger librement et complètement.



- A. Bouche de décharge sur toit
 B. Conduit rond dia. 6 po (152 mm) minimum
 C. Coude (pour décharge murale uniquement)
 D. Bouche de décharge murale
 E. Raccord de transition rectangulaire/rond de 3 1/4 po x 10 po à diamètre de 6 po (8,3 cm x 25,4 cm à 15,2 cm)
 F. Raccorde d'extension, longueur de 3 po (7,6 cm) minimum.
 G. 3 po (7,6 cm)

Raccords standard recommandés

REMARQUE : On doit disposer d'un espace libre de 3 po (7,6 cm) ou plus entre le sommet du four à micro-ondes et le raccord de transition rectangulaire/rond pour que le registre puisse s'ouvrir librement et complètement.



- A. Raccord de transition rectangulaire/rond : 3 1/4 po x 10 po vers 6 po = 5 pi (8,3 x 25,4 cm vers 15,2 cm = 1,5 m)
 B. Bouche de décharge sur toit : 3 1/4 po x 10 po = 24 pi (8,3 x 25,4 cm = 7,3 m)
 C. Coude à 90° : 3 1/4 po x 10 po = 25 pi (8,3 x 25,4 cm = 7,6 m)
 D. Coude à 90° : 6 po = 10 pi (15,2 cm = 3 m)
 E. Bouche de décharge murale : 3 1/4 po x 10 po = 40 pi (8,3 x 25,4 cm = 12,2 m)
 F. Coude à 45° : 6 po = 5 pi (15,2 cm = 1,5 m)
 G. Coude à 90° plat : 3 1/4 po x 10 po = 10 pi (8,3 x 25,4 cm = 3 m)

Longueur recommandée du circuit d'évacuation

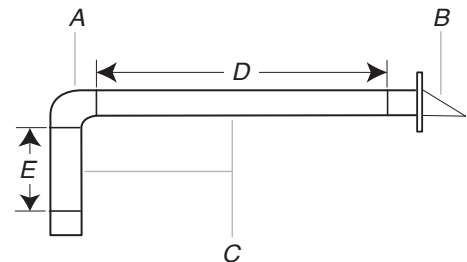
On devrait utiliser un conduit rectangulaire de 3 1/4 po x 10 po (8,3 x 25,4 cm), ou un conduit rond de 6 po (15,2 cm) de diamètre.

La longueur équivalente totale du circuit d'évacuation, ceci incluant les sections de conduit rectilignes, coude(s), raccords de transition et bouche de décharge murale ou sur toit, ne doit pas dépasser 140 pi (42,7 m), quel que soit le type de conduit. Les longueurs équivalentes des divers composants sont mentionnées au tableau « Raccords standard recommandés ».

Pour optimiser la performance, ne pas utiliser plus de trois coudes à 90°.

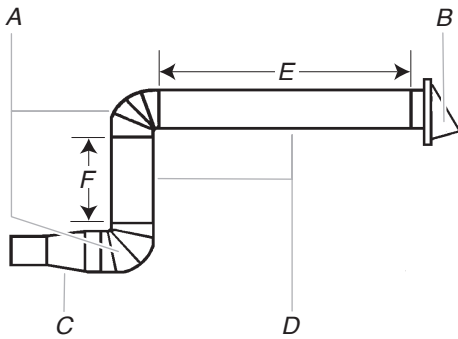
Pour calculer la longueur équivalente du système nécessaire, additionner les valeurs de longueurs équivalentes pour tous les composants utilisés dans le circuit. Voir les exemples suivants :

Conduit de 3 1/4 po x 10 po (8,3 x 25,4 cm) = longueur totale 73 pi (22,2 m)



- A. Un coude 90° 3 1/4 po x 10 po (8,3 x 25,4 cm) = 25 pi (7,6 m)
 B. 1 bouche de décharge murale = 40 pi (12,2 m)
 C. Sections de conduit rectiligne 2 pi (0,6 m) + 6 pi (1,8 m) = 8 pi (2,4 m)
 D. 6 pi (1,8 m)
 E. 2 pi (0,6 m)

Conduit d'un diamètre de 6 po (152 mm) = longueur totale
73 pi (22,2 m)



- A. Deux coudes $90^\circ = 20 \text{ pi}$ (6,1 m)
- B. 1 bouche de décharge murale = 40 pi (12,2 m)
- C. 1 raccord de transition de conduit rectangulaire/conduit rond = 5 pi (1,5 m)
- D. Sections de conduit rectiligne 2 pi (0,6 m) + 6 pi (1,8 m) = 8 pi (2,4 m)
- E. 6 pi (1,8 m)
- F. 2 pi (0,6 m)

Si le circuit d'évacuation existant est fait de conduit rond, on doit utiliser un raccord de transition de conduit rectangulaire à conduit rond. De plus on devra utiliser une extension de conduit rectangulaire de 3 po (7,6 cm) entre le registre et le raccord de transition rectangulaire/rond, pour éviter toute entrave à l'ouverture de la plaque du registre.

NOTES