

Fresh Living Tip

Got a small area of your home you don't quite know what to do with? Add this compact 15" wine model for a functional upgrade.

FINISH OPTIONS



15" Marvel Single Zone Wine Refrigerator with Wine Cradle

MLWC115

Storage Adaptability

- 2.7 cu. ft. capacity stores 23 bottles of wine
- (5) 4-bottle glide-out wine trays and (1) 3-bottle wine cradle
- Accommodates a variety of bottle sizes including champagne and magnum bottles
- $\frac{3}{4}$ extension smooth-glide ball-bearing tray shelving provides easy access to your collection

Performance

- Dynamic cooling technology delivers precise temperature stability and frost-free operation for an optimal wine preservation environment
- Proprietary shelving design allows temperature-controlled air to circulate throughout cabinet for consistency from top to bottom
- Vibration Neutralization System protects wine from agitation, allowing it to come to full maturation
- Thermal-efficient cabinet ensures optimum wine preservation and energy efficiency while maximizing capacity
- Argon-filled, UV-resistant tinted dual pane glass door protects contents from damaging ultraviolet light and helps conserve energy
- Sound-buffering design

Convenient Controls

- Multifunction controls allow you to select a precise cabinet temperature from 34° F to 60° F
- Features easy-to-use settings and options

Fit & Finish

- Elegant midnight black interior and arctic white LED interior lighting
- Solid natural maple shelf fronts, stainable to match cabinetry
- Reversible door allows for right or left swing for adaptable installation
- Black toe kick adjustable to 4" with leveling legs

Warranty

- 1-year parts and labor warranty and 5-year sealed system parts warranty



This slim 15-in Marvel Wine Refrigerator stores 23 bottles, and it's engineered to defend against the common enemies of wine, like damaging light, heat and vibration.

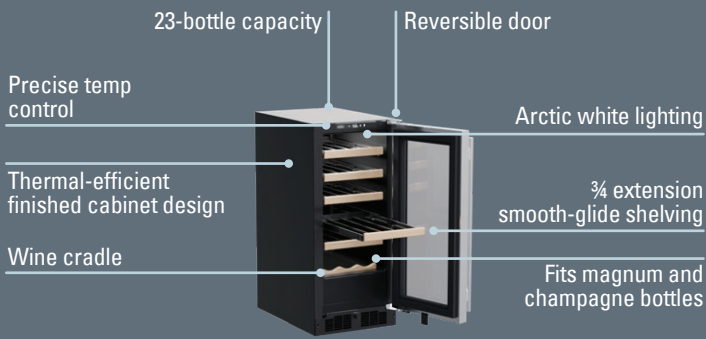
DOOR STYLE

Stainless Steel Frame Glass

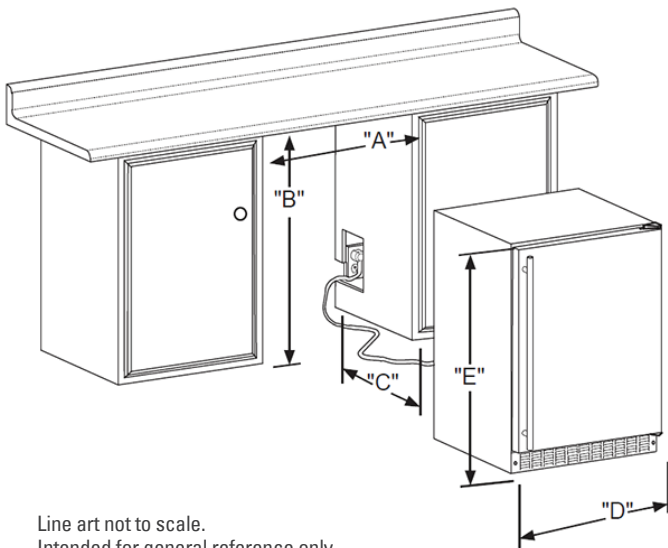
MODEL NUMBER

MLWC115-SG01A

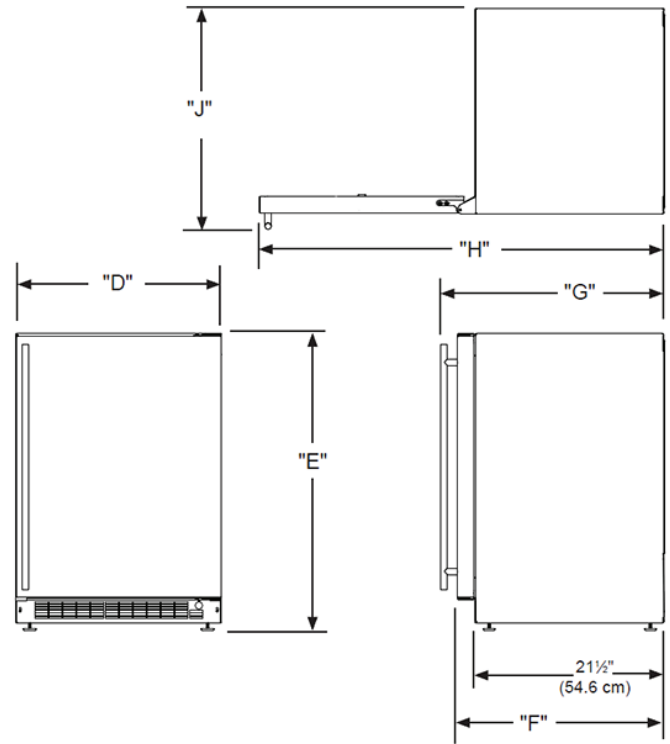




H: 33 3/4" W: 14 7/8" D: 25 21/32" (with handle)



Line art not to scale.
Intended for general reference only.



Rough In Dimensions

"A"	"B"	"C"
15"	34-1/4" TO 35-1/4"	24"
(38.1 CM)	(87 CM TO 89.5 CM)	(61 CM)

Cabinet Dimensions

"D"	"E"	"F"	"G"	"H"	"J"
14-7/8"	33-5/8" TO 34-5/8"	23-5/8"*	25-21/32"*	38-3/4"*	17-1/2"*
(37.8 CM)	(85.4 CM TO 87.9 CM)	(60 CM)	(65.2 CM)	(98.4 CM)	(44.4 CM)

Capacity	2.7 CU. FT.
Control Type	Electronic
Sabbath Mode	Yes
Temperature Range	34°F to 60°F
Handle Style	Slim
Hinge Type	Reversible
Interior Lighting	White LED
Shelving System	3/4 Extension Smooth-Glide Wire Shelving
Toe Grille Finish	Black

Lock	No
Electrical Requirements	115V / 60 Hz / 15A
Cord Length	6 FT.
Shipping Dimensions	19" W x 31" D x 37" H
Shipping Weight	125 LBS
Agency Approval	UL
Refrigerant Type	R600a

For comprehensive installation instructions, please visit marvelrefrigeration.com to access the owner's guide.

