



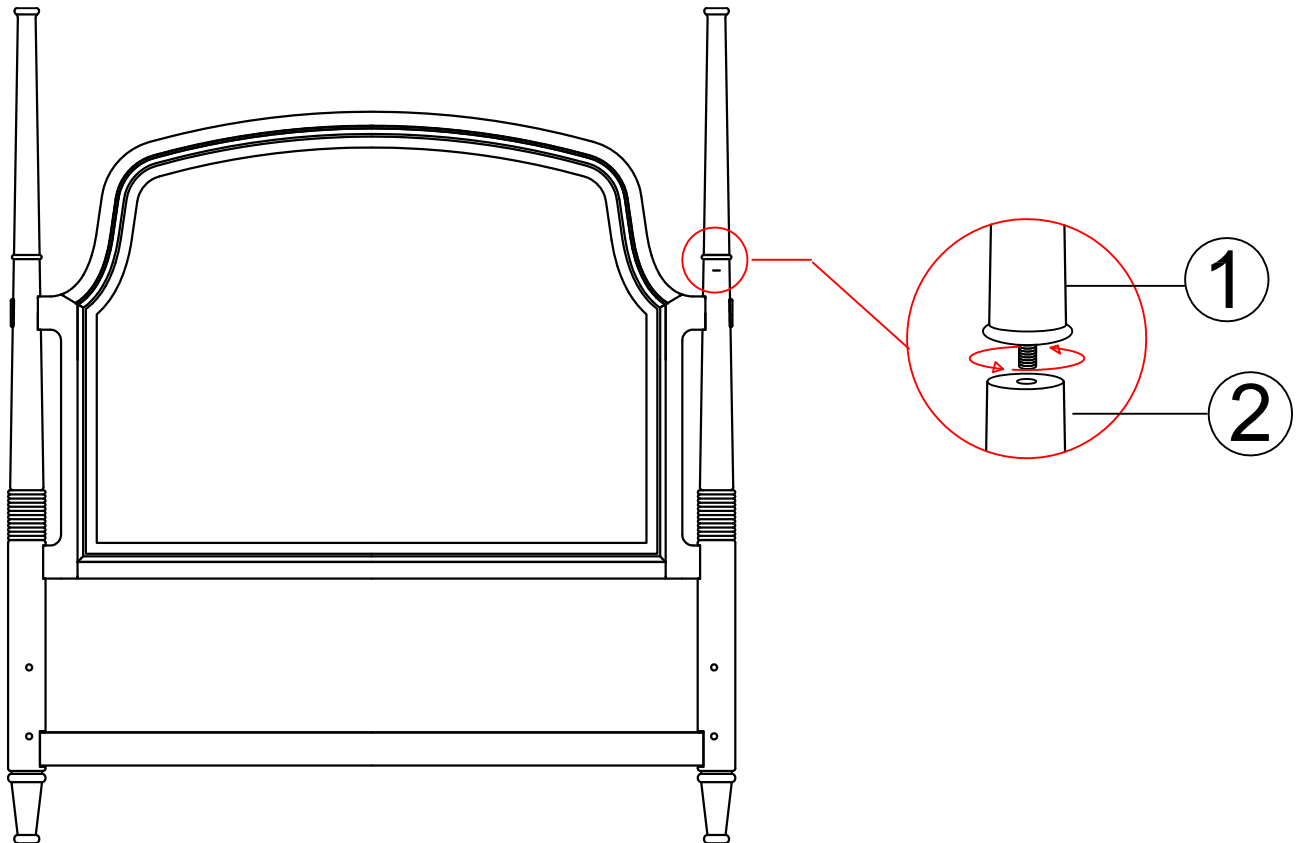
# ASSEMBLY INSTRUCTION

ITEM: 7050-90651-02 5/0 Upholstered Headboard  
7050-90651-89 5/0 Upholstered Headboard  
7050-90667-02 6/0-6/6 Upholstered Headboard  
7050-90667-89 6/0-6/6 Upholstered Headboard

Thank you for purchasing this quality product. Be sure to unpack carefully looking for small parts which may have come loose during shipment.

Read all instruction and study the drawing carefully before starting the assembly process.

PARTS LIST			
NO.	DRAWING	DESCRIPTION	Q'TY
1		Headboard Post	2 PCS
2		Headboard	1 PC



Attach headboard posts (1) with bolt in clockwise direction into the top of the Headboard (2). Remove them by the reverse way.