



DRYERS

SAFETY INFORMATION3

USING THE DRYER.....5
Appliance Communication 5

LOADING9

VENTING10

CARE AND CLEANING..... 11

TROUBLESHOOTING TIPS.....12

LIMITED WARRANTY15

CONSUMER SUPPORT16

OWNER'S MANUAL

**ENGLISH/ FRANÇAIS/
ESPAÑOL**

Write the model and serial numbers here:

Model # _____

Serial # _____

They are on the label on the front of the dryer behind the door.



49-3000244 Rev 1

07-21 GEA

THANK YOU FOR MAKING GE APPLIANCES A PART OF YOUR HOME.

Whether you grew up with GE Appliances, or this is your first, we're happy to have you in the family.

We take pride in the craftsmanship, innovation and design that goes into every GE Appliances product, and we think you will too. Among other things, registration of your appliance ensures that we can deliver important product information and warranty details when you need them.

Register your GE appliance now online. Helpful websites and phone numbers are available in the Consumer Support section of this Owner's Manual. You may also mail in the pre-printed registration card included in the packing material.



IMPORTANT SAFETY INFORMATION.

READ ALL INSTRUCTIONS BEFORE USING THE APPLIANCE

▲WARNING To reduce the risk of fire, explosion, electric shock, or injury to persons when using your appliance, follow basic precautions, including the following:

- Read all instructions before using the appliance.
- **DO NOT** dry articles that have been previously cleaned in, washed in, soaked in, or spotted with gasoline, dry-cleaning solvents, or other flammable or explosive substances, as they give off vapors that could ignite or explode.
- **DO NOT** place items exposed to cooking oils in your dryer. Items contaminated with cooking oils may contribute to a chemical reaction that could cause a load to catch fire. To reduce the risk of fire due to contaminated loads, the final part of the tumble dryer cycle occurs without heat (cool down period). Avoid stopping a tumble dryer before the end of the drying cycle unless all items are quickly removed and spread out so that the heat is dissipated.
- **DO NOT** allow children to play on or in this appliance. Close supervision of children is necessary when this appliance is used near children.
- Before the appliance is removed from service or discarded, remove the door to the drying compartment.
- **DO NOT** reach into the appliance if the drum is moving.
- **DO NOT** install or store this appliance where it will be exposed to the weather.
- **DO NOT** tamper with controls.
- **DO NOT** climb or stand on this unit.
- **DO NOT** repair or replace any part of this appliance or attempt any servicing unless specifically recommended in the user-maintenance instructions or in published user-repair instructions that you understand and have the skills to carry out.
- Follow all fabric care instructions and warnings to prevent melting of garments or damage to the appliance.
- **DO NOT** use fabric softeners or products to eliminate static unless recommended by the manufacturer of the fabric softener or product.
- **DO NOT** dry articles containing foam rubber or similarly textured rubber-like materials.
- Clean lint screen before or after each load.
- **DO NOT** operate the dryer without the lint filter in place.
- **DO NOT** store combustible materials, gasoline or other flammable liquids near the dryer. Keep area around the exhaust opening and adjacent surrounding areas free from the accumulation of lint, dust and dirt.
- The interior of the appliance and exhaust duct should be cleaned periodically by qualified service personnel.
- Unplug the appliance or turn off the circuit breaker before servicing. Pressing the **Power** or **Start/Pause** button **DOES NOT** disconnect power.
- **DO NOT** operate this appliance if it is damaged, malfunctioning, partially disassembled, or has missing or broken parts, including a damaged cord or plug.
- **DO NOT** spray any type of aerosol into, on or near dryer at any time. **DO NOT** use any type of spray cleaner when cleaning dryer interior. Hazardous fumes or electrical shock could occur.
- See "ELECTRICAL CONNECTION" located in the Installation Instructions for grounding instructions.

Proper Disposal of your Appliance

- Dispose of or recycle your appliance in accordance with Federal and Local Regulations. Contact your local authorities for the environmentally safe disposal or recycling of your appliance.
- Consider recycling options for your appliance packaging material.

READ AND SAVE THESE INSTRUCTIONS

IMPORTANT SAFETY INFORMATION

READ ALL INSTRUCTIONS BEFORE USING THE APPLIANCE

ADDITIONAL GAS DRYER WARNINGS


▲ WARNING  - Fire or Explosion Hazard

Failure to follow safety warnings exactly could result in serious injury, death, or property damage.

- DO NOT store or use gasoline or other flammable vapors and liquids in the vicinity of this or any other appliance.
- WHAT TO DO IF YOU SMELL GAS:
 - DO NOT try to light any appliance.
 - DO NOT touch any electrical switch; DO NOT use any phone in your building.
 - Clear the room, building, or area of any occupants.
 - Immediately call your gas supplier from a neighbor's phone. Follow the gas supplier's instructions.
 - If you cannot reach your gas supplier, call the fire department.
- Installation and service must be performed by a qualified installer, service agency, or the gas supplier.

Using the dryer

⚠ WARNING To reduce the risk of fire, electric shock, or injury to persons, read the IMPORTANT SAFETY INFORMATION before operating this appliance.

⚠ WARNING  - Fire Hazard

- Keep flammable materials and vapors, such as gasoline, away from dryer.
- **DO NOT** dry anything that has ever had anything flammable on it (even after washing).
- No washer can completely remove oil.
- **DO NOT** dry anything that has ever had any type of oil on it (including cooking oils).
- Items containing foam, rubber, or plastic must be dried on a clothesline.
- Failure to do so can result in death, explosion, or fire.

Appliance communication

WiFi Connect (For customers in the United States only - on some models)

Depending on the model, your dryer is either **GE Appliances WiFi Connect** enabled, or compatible using the optional **GE Appliances U+ Connect** module.

If enabled: Visit GEAppliances.com/connect and enter your model number to show you the proper steps to connect your appliance.

If compatible: To connect this appliance to the internet you will need to purchase a **GE Appliances U+ Connect** module and attach it to your appliance through the communication port. The **GE Appliances U+ Connect** module will allow your appliance to communicate with your smartphone for remote appliance monitoring, control and notifications.

WiFi Connectivity: For assistance with the appliance or the **GE Appliances U+ Connect** network connectivity, please call GE Appliances Connected Home Support at **800.220.6899**.

Please visit GEAppliances.com/connect to learn more about connected appliance features, to learn what connected appliance apps will work with your smartphone and to learn where you can purchase a **U+ Connect** module.

The **U+ Connect** module has the FCC/IC ID located on the back of the module.

Part Number	Accessory
PBX23W00Y0	WiFi U+ Connect module

Throughout this manual, features and appearance may vary from your model.

Step 1



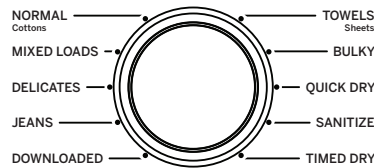
- Clean lint filter
 - Loosely add items.
 - Close door.
- NOTE:** Dryer will not start with door open.

Step 2



- If the screen is dark, press the Power button to “wake up” the display.

Step 3



- Select a dry cycle. (Defaults are set for each dry cycle. These default settings can be changed. See the cycle descriptions for more information.)

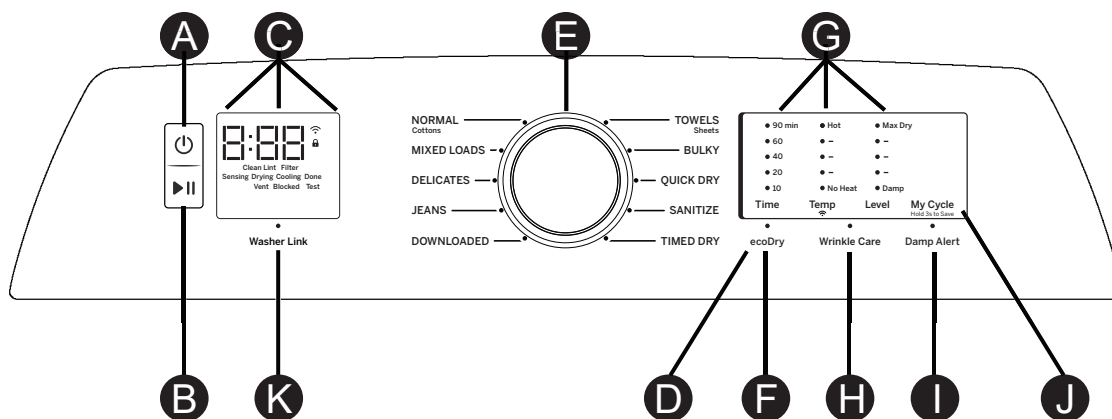
Step 4



- Press the Start/ Pause button.

Using the dryer

Features and appearance will vary.



- A Power**
Press to “wake up” the display. If the display is active, press to put the dryer into idle mode.
NOTE: Pressing **Power** does not disconnect the appliance from the power supply.
- B Start and Pause**
Press **Start** to begin the cycle. **NOTE:** The door must be closed for the dryer to start the cycle. Pressing **Start** again will pause the cycle, the **Start** light will blink and “**Pause**” will display.
To continue the cycle, press **Start** again.
- C Display and Status Lights**
The display shows the approximate time remaining until the end of the cycle.
In addition, this display will show the dryer status:

Pause (on some models)	The Start/Pause light will flash and the message “ Pause ” will show in the display when the dryer’s cycle is paused. The cycle may be re-started by pressing the Start button.
WiFi (on some models)	Will allow your appliance to communicate with your smartphone for remote appliance monitoring control and notifications.
Controls	The dryer is locked - will blink once if you press any button or turn the cycle knob.
Sensing	Indicates the dryer is sensing the level of dampness to determine estimated cycle time remaining.
Clean Lint Filter	The Clean Lint Filter light will stay on for 15 seconds after the cycle stops.
Vent Blocked (on some models)	The Vent Blocked light indicates an issue has been found due to reduced airflow from a possible blocked or restricted vent. Checking and/or cleaning the vent system is recommended. See the, “ Vent Blocked ” light is on in the Troubleshooting Tips section.
Sensing	Garments need additional time to be dried.
Drying	Clothes dryer is removing moisture.
Cooling	Air fluff cooling time after drying process.
Done	Cycle has been completed and it will display the legend “ END ”.
Vent + Test	Venting system diagnostic test.

Using the dryer

D Control Lock

You can lock the controls to prevent any selections from being made. Or you can lock the controls after you have started a cycle. Children cannot accidentally start the dryer by touching buttons with this option selected.

To lock/unlock the dryer controls, press and hold the **ecoDry** button for 3 seconds. The control lock icon will flash while locking/unlocking, stay on when locked, and turn off when unlocked.

NOTE: The **Power** button can still be used when the machine is locked.

E Drying Cycles

Sensor cycles automatically determine fabric dryness.

Timed cycles run for the selected time.

SANITIZE

This option reduces certain types of bacteria including: Staphylococcus aureus, Pseudomonas aeruginosa and Klebsiella pneumoniae. The anti-bacterial process occurs when high heat is used during a portion of the drying cycle; cool down also will be longer to protect you from a hot garment.

NOTE: Do not use this cycle on delicate fabrics.

BULKY

For large coats, bed spreads, mattress covers, sleeping bags, and similar large/bulky items such as blankets, comforters, jackets, and small rugs.

TOWELS/ Sheets

For most towels and linens.

NORMAL/ Cottons

For cottons and most linens. **NOTE: ENERGY STAR®** models are tested on **NORMAL/ Cottons** with default settings (**Dry** level, **Hot** temperature and **ecoDry**).

MIXED LOAD

For loads consisting of cottons and poly-blends.

DOWNLOADED

A cycle with 3 options through the GE Appliances Laundry App:

Casual (Default): Wrinkle care and permanent press items.

Active Wear: Special sport items that need extra drying care.

Warm Up: Provides 10 minutes of heating to warm up clothes.

DELICATES

For delicate items, special-care fabrics and knits.

QUICK DRY

For small loads that are needed in a hurry, such as sport or school uniforms. Can also be used if the previous cycle left some items damp, such as collars or waistbands. **NOTE:** On some models, the time remaining in the cycle will show counting down in the display.

JEANS

For jeans.

TIMED DRY

Set the Cycle Selector at the desired drying time.

WARM UP

Provides 10 minutes of warming time to warm up clothes.

AIR FLUFF

Provides 10 minutes of tumbling time with no heat. **NOTE:** On models without AIR FLUFF cycle, select **TIMED DRY** and set **Temp** to **No Heat**.

F ecoDry

Available for **BULKY**, **TOWELS/Sheets**, **NORMAL/Cottons**, **MIXED LOAD**, **JEANS**, and **DELICATES**. When the **ecoDry** button is pressed, cycle settings change to reduce the total energy consumption of the selected sensor cycle. **NOTE:** Cycle times will change when **ecoDry** is selected. The **ecoDry** option will default to on for **NORMAL/Cottons**. For optimal energy savings, turn **ecoDry** on. For optimal drying times, turn **ecoDry** off. **NOTE:** Energy savings will vary across loads and cycles.

Using the dryer

G Settings

Individual settings for cycle minutes (**Time**), dryness level (**Level**) and temperature (**Temp**) can be set from the minimum (lowest in column) to maximum (highest in column). In general, the higher up the column, the more energy will be used.

Dryness Level	Description	Light ON from bottom indicates setting:
Max Dry	Use for heavy-duty fabrics.	5
More Dry	Use for mixed type fabrics.	4
Dry	Use for a normal dryness level suitable for most loads. This is the preferred cycle for energy savings.	3
Less Dry	Use for lighter fabrics.	2
Damp	For leaving items partially damp.	1

Temperature	Description	Light ON from bottom indicates setting:
Hot	For regular to heavy cottons.	5
Medium	For synthetics, blends, delicates and items labeled permanent press.	4
Low	For delicates, synthetics and items labeled tumble dry low.	3
Extra Low	For delicates, synthetics and items labeled extra care or gentle dryness.	2
No Heat	For fluffing items without heat. For use only with the TIMED DRY cycle.	1

H Wrinkle Care

Use this option to minimize the wrinkles in clothes. It provides 1 hour of no-heat tumbling after the clothes are dry. If you have **Sound** option enabled and you select the **Wrinkle Care** option, a signal will sound at the end of the drying time and several times during the **Wrinkle Care** cycle. This will remind you that it is time to remove the clothes.

Sound

Press and hold the **Wrinkle Care** button for 3 seconds to toggle Sound option between enabled and disabled. “**Sound on**” will show on the display and a tone will play when enabled. “**Sound off**” will show on the display and no tone will play when disabled.

I Damp Alert

This option causes the dryer to beep when clothes have dried to a damp level. Remove items that you wish to hang dry. The **Damp Alert** will only beep when this option is selected (but the dry cycle will keep running). Removing clothes and hanging them when they are damp, can reduce the need to iron some items. The light beside the button will be lit when **Damp Alert** is on.

Drum Light

The drum light will turn on if, the **Damp Alert** button is pressed for 3 seconds, or the door is opened. It will turn off when the door is shut, the **Damp Alert** button is pressed again for 3 seconds or after 5 minutes if the door is left open.

- Remove garments promptly at the sound of signal. Place clothes on hangers so wrinkles will not set in.
- Use the **Damp Alert** especially when drying fabrics like polyester, knits and permanent press. These fabrics should be removed so wrinkles will not set in.

J My Cycle

As the cycle selector knob is turned, the **Time** (timed dry), **Level** (dryness level) and **Temp** (temperature) settings change to automatic pre-set default settings. If you desire a different setting, press the appropriate button(s). Then press and hold the **My Cycle** button for 3 seconds and the dryer will “remember” these settings for that Knob Selection. In the future, when you turn the selector knob to that cycle, your settings will be automatically recalled. **NOTE:** Signal sound cannot be set for **My Cycle**.

K Washer Link

This feature wirelessly links your washer to your dryer and uses the connection information to automatically adjust the settings of your dryer for the clothes just washed. If the dryer has a valid WiFi connection, and the **Washer Link** option is selected, either via the button or the App, the light above the button will be lit. If the option is not selected then the light will turn off. If the dryer does not have a valid WiFi connection, and this option is selected, either via the button or the App, the WiFi light and the **Washer Link** light will blink and an error tone will play.

Loading

Always follow fabric manufacturer's care label when laundering.

Sorting and Loading Hints

⚠ WARNING - Fire Hazard

- Keep flammable materials and vapors, such as gasoline, away from dryer.
- **DO NOT** dry anything that has ever had anything flammable on it (even after washing).
- No washer can completely remove oil.
- **DO NOT** dry anything that has ever had any type of oil on it (including cooking oils).
- Items containing foam, rubber, or plastic must be dried on a clothesline.
- Failure to do so can result in death, explosion, or fire.

As a general rule, if clothes are sorted properly for the washer, they are sorted properly for the dryer. Try also to sort items according to size. For example, do not dry a sheet with socks or other small items.

Do not add fabric softener sheets once the load has become warm. They may cause fabric softener stains. Bounce® Fabric Conditioner Dryer Sheets have been approved for use in this dryer when used in accordance with the manufacturer's instructions.

Do not overload. This wastes energy and causes wrinkling.

Drying Rack (on some models)

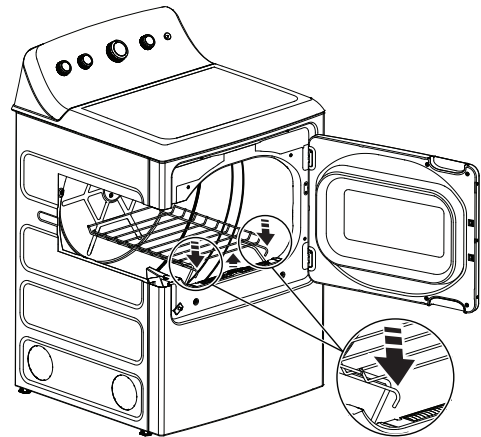
A handy drying rack may be used for drying delicate items such as washable sweaters.

To install the drying rack:

- 1** Lift the lint filter slightly. (Do not remove the lint filter completely).
- 2** Place the rack in the dryer and lower its front legs and hook them in the slots.
- 3** Press the rack down flat and lower the lint filter back down into position.

NOTES:

- The drying rack must be used with the **TIMED DRY** cycle. Use with sensor cycles may result in damp items or extended cycle times.
- Do not use this drying rack when there are other clothes in the dryer.
- If your model did not come with a drying rack, order WE01X25160 on-line at **GEApplianceparts.com**, 24 hours a day or by phone at 877.959.8688 during normal business hours.



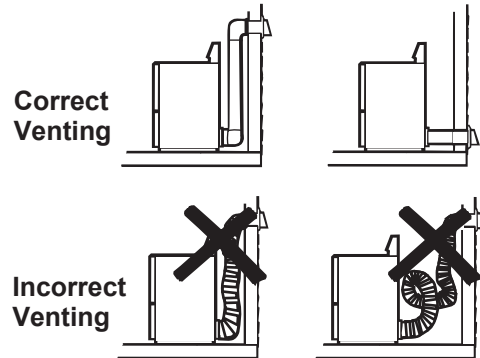
Lift filter and hook front rack legs into slots

Venting

Venting the Dryer

For the best drying performance, the dryer needs to be properly vented. The dryer will use more energy and run longer if it is not vented to the specifications below. Carefully follow the details on Exhausting in the Installation Instructions.

- Use only rigid metal 4" diameter ductwork inside the dryer cabinet. Use only rigid metal or UL listed flexible metal 4" diameter ductwork for exhausting to the outside.
- Do not use plastic or other combustible ductwork.
- Use the shortest length possible.
- Do not crush or collapse.
- Avoid resting the duct on sharp objects.
- **Venting must conform to local building codes.**



⚠ WARNING - Fire Hazard

This dryer **MUST** be exhausted to the outdoors.
 Use only 4" rigid metal ducting for the home exhaust duct.
 Use only 4" rigid metal or UL-listed dryer transition duct to connect the dryer to the home exhaust.
DO NOT use a plastic vent.
DO NOT exhaust into a chimney, kitchen exhaust, gas vent, wall, ceiling, attic, crawl space, or concealed space of a building.
DO NOT install a screen in or over the exhaust duct.
DO NOT install a booster fan in the exhaust duct.
DO NOT use duct longer than specified in the exhaust length table.
 Failure to follow these instructions can result in death or fire.

Vent Health

Is a diagnostic test to verify the status of the venting system. **NOTE:** To run the test, ambient temperature must be below 85°F (if temperature is above 85°F the test will be invalid and the main display will show "00").

To enter Vent Health test mode:

- 1 Ensure the drum is empty.
- 2 Ensure the lint filter is clean.
- 3 Press and hold the **Time** and **Level** buttons for 3 seconds.
- 4 Close the door and press **Start**.

After the test is run, the display will show a number. Use the table below to understand the result and the action needed.

Main Display	LED Display	Result	Action*
01	OFF	Clean/Normal	Your house vent is in good condition and no action is required.
02	OFF	May need attention	Your house vent condition may affect your dryer's performance. Check and clean or make adjustments to improve.
03	Vent Blocked	Blocked	Your house vent is highly restricted and is affecting your dryer's performance. Clean and/or make needed adjustments to improve.

*Also see **Interior and Duct** in the **Care and Cleaning** section.

Care and Cleaning

Interior and Duct

The interior of the appliance and exhaust duct should be cleaned once a year by qualified service personnel.

The Exhaust Duct: Inspect and clean the exhaust ducting at least once a year to prevent clogging. A partially clogged exhaust can lengthen the drying time.

Follow these steps:

- 1** Turn off electrical supply by disconnecting the plug from the wall socket.
- 2** Disconnect the duct from the dryer.
- 3** Vacuum the duct with the hose attachment and reconnect the duct.

The Exhaust Hood: Check with a mirror that the inside flaps of the hood move freely when operating. Make sure that there is no wildlife (birds, insects, etc.) nesting inside the duct or hood.

Exterior

Wipe or dust any spills or washing compounds with a damp cloth. Dryer control panel and finishes may be damaged by some laundry pretreatment soil and stain remover products. Apply these products away from the dryer. The fabric may then be washed and dried normally. Damage to your dryer caused by these products is not covered by your warranty.

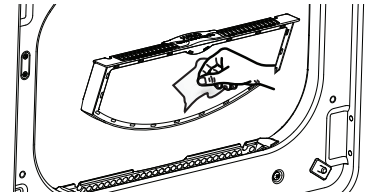
Lint Filter

Clean the lint filter before each use.

Remove by pulling straight up. Run your fingers across the filter. A waxy buildup may form on the lint filter from using dryer added fabric softener sheets.

To remove this buildup, wash the lint screen in warm, soapy water. Dry thoroughly and replace.

Vacuum the lint from the dryer lint filter area if you notice a change in dryer performance.



NEVER OPERATE THE DRYER WITHOUT ITS FILTER IN PLACE.

Stainless Steel

To clean stainless steel surfaces use a damp cloth with a mild, non-abrasive cleaner suitable for stainless steel surfaces. Remove the cleaner residue and then dry with a clean cloth.

The stainless steel used to make the dryer drum provides the highest reliability available in a GE Appliances dryer. If the dryer drum should be scratched or dented during normal use, the drum will not rust or corrode. These surface blemishes will not affect the function or durability of the drum.

Drum Light

The drum light is an LED light. Replacement must be done by a qualified technician.

Troubleshooting Tips... Before you call for service

Problem	Possible Cause	What To Do
Dryer shakes or makes noise	Some shaking/noise is normal. Dryer may be sitting unevenly.	Move dryer to an even floor space, or adjust leveling legs as necessary until even.
Clothes take too long to dry	Improper or obstructed ducting	Check the Installation Instructions to make sure the dryer venting is correct. Make sure ducting is clean, free of kinks and unobstructed. Check to see if outside wall damper operates easily.
	Improper sorting	Separate heavy items from lightweight items (generally, a well-sorted washer load is a well-sorted dryer load).
	Large loads of heavy fabrics (like beach towels)	Large, heavy fabrics contain more moisture and take longer to dry. Separate large, heavy fabrics into smaller loads to speed drying time.
	Controls improperly set	Match control settings to the load you are drying.
	Lint filter is full	Clean lint filter before every load.
	Blown fuses or tripped circuit breaker	Replace fuses or reset circuit breakers. NOTE: Some electric dryers use 2 fuses/breakers, make sure both are operating.
	Overloading/combining loads	Do not put more than one washer load in the dryer at a time.
	Underloading	If you are drying only one or two items, add a few items to ensure proper tumbling.
	ecoDry is enabled	The ecoDry feature is designed to operate your dryer in the most energy efficient mode, which is not always the fastest mode. In some instances, dry times may be extended to reduce overall energy usage for the cycle.
The Dry dryness level was chosen but load is still damp	Load consists of a mixture of heavy and light fabrics	When combining heavy and light fabrics in a load, choose Max Dry .
	Exhaust system is blocked	Inspect and clean exhaust system.
Dryer doesn't start	Control panel is "asleep"	This is normal. Press Power to activate the control panel.
	Dryer is unplugged	Make sure the dryer plug is pushed completely into the outlet.
	Fuse is blown/circuit breaker is tripped	Check the building's fuse/circuit breaker box and replace fuse or reset breaker. NOTE: Some electric dryers use two fuses/breakers, make sure both are operating.
	Dryer was accidentally paused when starting Delay Dry	If the light on the Start/Pause button is flashing, the dryer is paused. Press Start/Pause to restart the countdown.
No numbers displayed during cycle, only lights	Dryer is continuously monitoring the amount of moisture in the clothes	This is normal. When the dryer senses a low level of moisture in the load, the dryer will display the dry time remaining.
Time Remaining jumped to a lower number	The estimated time may change when a smaller load than usual is drying	This is normal.
Cannot make a selection and the dryer beeps twice	The dryness Level, Temp or option that you are trying to select is incompatible with the chosen dry cycle	This is normal.
Dryer is running but 00 is displayed in Time Remaining	The Wrinkle Care option was chosen	This is normal. During extended tumbling, the time remaining is not displayed. The extended tumbling option lasts approximately 60 minutes.
"Vent Blocked" light is on	Lint filter is full	Clean lint filter, dry a load on an automatic cycle and verify that light turns off.
	Improper or obstructed ducting	Check the Installation Instructions to make sure the dryer venting is correct. Make sure ducting is clean, free of kinks and unobstructed. Check to see if outside wall damper operates easily. Dry a load on an automatic cycle and verify that light turns off.
	Exhaust system is blocked	Inspect and clean the exhaust system. Dry a load on an automatic cycle and verify that light turns off.

Troubleshooting Tips... Before you call for service

Problem	Possible Causes	What To Do
Dryer doesn't heat	Fuse is blown/circuit breaker is tripped; the dryer may tumble but not heat	Check the building's fuse/circuit breaker box and replace both fuses or reset both breakers. Your dryer may tumble if only one fuse is blown or one breaker tripped. NOTE: Some electric dryers use 2 fuses/breakers, make sure both are operating.
	Gas service is off (gas models only)	Make sure gas shutoff at dryer and main shutoff are fully open.
	LP gas supply tank is empty or there has been a utility interruption of natural gas (gas models only)	Refill or replace tank. Dryer should heat when utility service is restored.
	No heat temperature selected	Select another heat setting
Inconsistent drying times	Type of heat	Drying time will vary according to the type of heat used. If you recently changed from an electric to a gas (natural or LP) dryer, or vice versa, the drying time could be different.
	Type of load and drying conditions	The load size, types of fabric, wetness of clothes and the length and condition of the exhaust system will affect drying times.
Clothes are still wet and dryer shut off after a short time	The door was opened mid-cycle. The load was then removed from the dryer and a new load put in without selecting a new cycle	A dry cycle must be reselected each time a new load is put in.
	Small load	When drying 3 items or less, choose QUICK DRY or TIMED DRY .
	Load was already dry except for collars and waistbands	Choose QUICK DRY or TIMED DRY to dry damp collars and waistbands. In the future, when drying a load with collars and waistbands, choose More Dry .
	Dryer is not level	Move dryer to an even floor space or adjust leveling legs as necessary until even.
Clothes are wrinkled	Overdrying	Select a shorter drying time. Remove items while they still hold a slight amount of moisture. Select a Less Dry or Damp setting.
	Letting items sit in dryer after cycle ends	Remove items when cycle ends and fold or hang immediately, or use the Wrinkle Care option.
	Overloading	Separate large loads into smaller ones.
Clothes shrink	Some fabrics will naturally shrink when washed. Others can be safely washed, but will shrink in the dryer.	To avoid shrinkage, follow garment care labels exactly. Some items may be pressed back into shape after drying. If you are concerned about shrinkage in a particular item, do not machine wash or tumble dry it.
Greasy spots on clothes	Improper use of fabric softener	Follow directions on fabric softener package.
	Drying dirty items with clean ones	Use your dryer to dry only clean items. Dirty items can stain clean items and the dryer.
	Clothes were not completely clean	Sometimes stains which cannot be seen when the clothes are wet appear after drying. Use proper washing procedures before drying.
Lint on clothes	Lint filter is full	Clean lint screen before each load.
	Improper sorting	Sort lint producers (like chenille) from lint collectors (like corduroy).
	Static electricity can attract lint	See suggestions in this section under Static occurs .
	Overloading	Separate large loads into smaller ones.
	Paper, tissue, etc., left in pockets	Empty all pockets before laundering clothes.

Troubleshooting Tips... Before you call for service

Problem	Possible Causes	What To Do
Static occurs	No fabric softener was used	Try a fabric softener. Bounce® Fabric Conditioner Dryer Sheets have been approved for use in all GE Appliances dryers when used in accordance with the manufacturer's instructions.
	Overdrying	Try a fabric softener. Adjust setting to Damp .
	Synthetics, permanent press and blends can cause static	Try a fabric softener.
Collars and waistbands still wet at end of cycle	The dryness monitor senses that the body of the clothes is dry	Choose QUICK DRY or TIMED DRY to dry damp collars and waistbands. In the future, when drying a load with collars and waistbands, choose Max Dry .
Slight variation in metallic color	This is normal	Due to the metallic properties of paint used for this unique product, slight variations of color may occur due to viewing angles and lighting conditions.
Dryer continues to tumble after display says Complete	Wrinkle Care was selected	Ensure Wrinkle Care option is not selected.

GE Appliances Dryer Limited Warranty

LIMITED WARRANTY

GEAppliances.com

All warranty service is provided by our Factory Service Centers, or an authorized Customer Care® technician. To schedule service online, visit us at GEAppliances.com/service, or call GE Appliances at 800.GE.CARES (800.432.2737). Please have your serial number and your model number available when calling for service.

Servicing your appliance may require the use of the onboard data port for diagnostics. This gives a GE Appliances factory service technician the ability to quickly diagnose any issues with your appliance and helps GE Appliances improve its products by providing GE Appliances with information on your appliance. If you do not want your appliance data to be sent to GE Appliances, please advise your technician not to submit the data to GE Appliances at the time of service.

For the period of:	We will replace:
One year From the date of the original purchase	Any part of the dryer which fails due to a defect in materials or workmanship. During this limited one-year warranty , we will also provide, free of charge , all labor and related service to replace the defective part.

What is not covered:

- Service trips to your home to teach you how to use the product.
- Improper installation, delivery or maintenance.
- Failure of the product if it is abused, misused, or used for other than the intended purpose or used commercially.
- Replacement of house fuses or resetting of circuit breakers.
- Products which are not defective or broken, or which are working as described in the Owner's Manual.
- Damage to the product caused by accident, fire, floods or acts of God.
- Incidental or consequential damage caused by possible defects with this appliance.
- Defects or damage due to operation in freezing temperatures.
- Damage caused after delivery.
- Product not accessible to provide required service.

EXCLUSION OF IMPLIED WARRANTIES

Your sole and exclusive remedy is product repair as provided in this Limited Warranty. Any implied warranties, including the implied warranties of merchantability or fitness for a particular purpose, are limited to one year or the shortest period allowed by law.

In the United States:

This limited warranty is extended to the original purchaser and any succeeding owner for products purchased for home use within the USA. If the product is located in an area where service by a GE Appliances Authorized Servicer is not available, you may be responsible for a trip charge or you may be required to bring the product to an Authorized GE Appliances Service location for service. In Alaska, the limited warranty excludes the cost of shipping or service calls to your home.

Some states do not allow the exclusion or limitation of incidental or consequential damages. This limited warranty gives you specific legal rights, and you may also have other rights which vary from state to state. To know what your legal rights are, consult your local or state consumer affairs office or your state's Attorney General.

Warrantor: GE Appliances, a Haier Company, Louisville, KY 40225

In Canada:

This limited warranty is extended to the original purchaser and any succeeding owner for products purchased in Canada for home use within Canada. If the product is located in an area where service by a GE Appliances Authorized Servicer is not available, you may be responsible for a trip charge or you may be required to bring the product to an Authorized GE Appliances Service location.

Some provinces do not allow the exclusion or limitation of incidental or consequential damages. This limited warranty gives you specific legal rights, and you may also have other rights which vary from province to province. To know what your legal rights are, consult your local or provincial consumer affairs office.

Warrantor: MC Commercial Inc., Burlington, ON, L7R 5B6

Extended Warranties: Purchase a GE Appliances extended warranty and learn about special discounts that are available while your warranty is still in effect. You can purchase it online anytime at

GEAppliances.com/extended-warranty

or call 800.626.2224 during normal business hours. GE Appliances Service will still be there after your warranty expires.

Staple your receipt here. Proof of the original purchase date is needed to obtain service under the warranty.

Consumer Support

GE Appliances Website

Have a question or need assistance with your appliance? Try the GE Appliances Website 24 hours a day, any day of the year! You can also shop for more great GE Appliances products and take advantage of all our on-line support services designed for your convenience. In the US: GEAppliances.com.

In Canada: GEAppliances.ca.

Register Your Appliance

Register your new appliance on-line at your convenience! Timely product registration will allow for enhanced communication and prompt service under the terms of your warranty, should the need arise. You may also mail in the pre-printed registration card included in the packing material. In the US: GEAppliances.com/register.

In Canada: Prodsupport.mabe.ca/crm/Products/ProductRegistration.aspx.

Schedule Service

Expert GE Appliances repair service is only one step away from your door. Get on-line and schedule your service at your convenience any day of the year. In the US: GEAppliances.com/service or call 800.432.2737 during normal business hours.

In Canada: GEAppliances.ca/en/support/service-request or call 800.561.3344.

Extended Warranties

Purchase a GE Appliances extended warranty and learn about special discounts that are available while your warranty is still in effect. You can purchase it on-line anytime. GE Appliances Services will still be there after your warranty expires. In the US: GEAppliances.com/extended-warranty or call 800.626.2224 during normal business hours.

In Canada: GEAppliances.ca/en/support/purchase-extended-warranty or call 866.277.9842.

Remote Connectivity

For assistance with wireless network connectivity (for models with remote enable), in the US visit our website at GEAppliances.com/connect or call 800.220.6899.

In Canada: GEAppliances.ca/connect or call 800.220.6899.

Parts and Accessories

Individuals qualified to service their own appliances can have parts or accessories sent directly to their homes (VISA, MasterCard and Discover cards are accepted). Order on-line today 24 hours every day.

In the US: GEApplianceparts.com or by phone at 877.959.8688 during normal business hours.

In Canada: GEAppliances.ca/en/products/parts-filters-accessories or call 800.661.1616.

Instructions contained in this manual cover procedures to be performed by any user. Other servicing generally should be referred to qualified service personnel. Caution must be exercised, since improper servicing may cause unsafe operation.

Contact Us

If you are not satisfied with the service you receive from GE Appliances, contact us on our Website with all the details including your phone number, or write to:

In the US: General Manager, Customer Relations | GE Appliances, Appliance Park | Louisville, KY 40225
GEAppliances.com/contact or call 800.626.2000

In Canada: Director, Consumer Relations, MC COMMERCIAL INC. | Suite 310, 1 Factory Lane | Moncton, N.B. E1C 9M3
GEAppliances.ca/en/contact-us or call 877.994.5366



SÈCHES

CONSIGNES DE SÉCURITÉ 3

UTILISATION DE LA SÈCHEUSE..... 5

CHARGEMENT 9

VENTILATION..... 10

ENTRETIEN ET NETTOYAGE... 11

CONSEILS DE DÉPANNAGE... 12

GARANTIE LIMITÉE 15

SERVICE À LA CLIENTÈLE 16

GUIDE DE L'UTILISATEUR

FRANÇAIS

Inscrivez ici les numéros de modèle et de série :

Modèle # _____

Série # _____

Ces informations figurent sur l'étiquette située à l'avant de la sècheuse, derrière la porte.



49-3000244 Rev 1

07-21 GEA

NOUS VOUS REMERCIONS D'ACCUEILLIR GE APPLIANCES CHEZ VOUS

Que vous ayez grandi avec GE Appliances ou qu'il s'agisse de votre première acquisition, nous sommes heureux de vous accueillir dans notre famille.

Nous sommes fiers du savoir-faire, de l'innovation et de l'esthétique qui composent chaque appareil GE Appliances, et nous pensons que vous le serez aussi. Dans cette optique, nous vous rappelons que l'enregistrement de votre électroménager vous assure la communication de renseignements importants sur le produit et la garantie lorsque vous en avez besoin.

Enregistrez votre électroménager GE en ligne dès maintenant. Des sites Web et des numéros de téléphone utiles figurent dans la section Soutien au consommateur de ce manuel d'utilisation. Vous pouvez aussi poster la fiche de garantie préimprimée incluse dans l'emballage.



CONSIGNES DE SÉCURITÉ IMPORTANTES

LIRE TOUTES LES CONSIGNES AVANT D'UTILISER L'APPAREIL

⚠ AVERTISSEMENT

Pour réduire le risque d'incendie, d'explosion, de choc électrique ou de blessure aux personnes utilisant cet appareil, observez des précautions élémentaires dont les suivantes :

- Lisez toutes les instructions avant d'utiliser l'appareil.
- **NE** séchez **PAS** les articles qui ont été précédemment nettoyés, lavés, trempés, ou détachés à l'aide d'essence, de solvants de nettoyage à sec ou d'autres substances inflammables ou explosives, puisqu'ils peuvent émettre des vapeurs susceptibles de s'enflammer ou d'exploser.
- **NE** placez **PAS** d'articles exposés aux huiles de cuisson dans la sècheuse. Les articles souillés par les huiles de cuisson peuvent faciliter des réactions chimiques susceptibles d'enflammer une brassée. Pour réduire le risque d'incendie en raison de charges contaminées, la dernière partie du cycle de sèche-linge se produit sans chaleur (période de refroidissement). Évitez d'arrêter une sècheuse avant la fin du cycle de séchage à moins que tous les articles soient rapidement enlevés et répartis de telle sorte que la chaleur est dissipée.
- **N'**autorisez **PAS** les enfants à jouer sur ou dans cet appareil. Une surveillance étroite est requise lorsque des enfants se trouvent à proximité de l'appareil en fonctionnement.
- Enlevez la porte de la sècheuse lorsque l'appareil est mis hors service ou au rebut.
- **NE** vous penchez **PAS** dans l'appareil lorsque le tambour est en rotation.
- **N'**installez **PAS** et ne rangez **PAS** cet appareil à un endroit exposé aux intempéries.
- **NE** modifiez **PAS** les commandes.
- **ABSTENEZ-VOUS** de grimper ou de vous tenir sur l'appareil.
- **NE** réparez **PAS** cet appareil, en totalité ou en partie, en remplacez une quelconque pièce, à moins que cela ne soit expressément recommandé dans les instructions d'entretien ou de réparation destinées à l'utilisateur dont vous avez une compréhension et une compétence suffisantes pour les appliquer.
- Suivez toutes les instructions et avertissements de soin des tissus pour éviter que les vêtements fondent ou des dommages à l'appareil.
- **N'**employez **PAS** de produits assouplissants NI d'agents antistatiques à moins que leur utilisation ne soit recommandée par leurs fabricants.
- **NE** sécher **PAS** des articles qui contiennent du caoutchouc mousse ou des matières à texture caoutchouteuse similaire.
- Nettoyez le filtre à charpie et nettoyez avant ou après chaque chargement.
- **N'**utilisez **PAS** la sècheuse sans que le filtre à charpie **ne** soit en place.
- **NE** rangez **PAS** de matières combustibles, de l'essence ni d'autres liquides inflammables à proximité de la sècheuse. Gardez la zone autour de l'ouverture d'évacuation et tout l'espace adjacent libres de charpie, de poussière et de saletés.
- L'intérieur de l'appareil et le tuyau d'évacuation doivent être nettoyés régulièrement par du personnel qualifié.
- Débranchez l'appareil ou fermez le disjoncteur avant une réparation. Le fait d'appuyer sur le bouton Power (Alimentation) ou sur le bouton **Start/Pause** (Mise en marche/pause) **NE** coupe **PAS** l'alimentation électrique.
- **NE** faites **PAS** fonctionner cet appareil s'il est endommagé, ne fonctionne pas correctement, est en partie démonté, ou encore si des pièces sont manquantes ou abîmées, y compris le cordon électrique ou sa fiche.
- **NE** vaporisez **AUCUN** type d'aérosol dans, sur ou à proximité de la sècheuse, et ce en tout temps. **N'**utilisez **AUCUN** type de nettoyant en vaporisateur lorsque vous nettoyez l'intérieur de la sècheuse. Cela poserait un risque de vapeurs dangereuses ou de choc électrique.
- Consultez la section « RENSEIGNEMENTS SUR LES RACCORDS ÉLECTRIQUES » des instructions d'installation pour connaître la procédure de mise à la terre.

Mise au rebut adéquate de votre électroménager

- Veuillez jeter ou recycler votre électroménager conformément aux règlements fédéraux ou locaux. Communiquez avec les instances locales pour en savoir plus sur la mise au rebut ou le recyclage de votre électroménager.
- Considérez les options de recyclage des matériaux d'emballage de votre électroménager.

LIRE ET CONSERVEZ CES DIRECTIVES

CONSIGNES DE SÉCURITÉ IMPORTANTES

LIRE TOUTES LES CONSIGNES AVANT D'UTILISER L'APPAREIL

AVERTISSEMENTS SUPPLÉMENTAIRES CONCERNANT LES SÈCHEUSES À GAZ

▲ AVERTISSEMENT  - Risque d'incendie ou d'explosion

Le non-respect strict des avertissements de sécurité pourrait entraîner des blessures graves, la mort ou des dommages matériels.

- N'entreposez PAS et n'utilisez PAS d'essence NI d'autres vapeurs ou liquides inflammables dans les alentours de cet appareil ou de tout autre.
- QUE FAIRE SI UNE ODEUR DE GAZ EST DÉTECTÉE :
 - N'allumez AUCUN appareil.
 - NE touchez à AUCUN commutateur électrique ; n'utilisez AUCUN téléphone dans votre immeuble.
 - Faites évacuer la pièce, l'immeuble ou la zone de tous ses occupants.
 - Communiquez immédiatement avec votre fournisseur de gaz au moyen du téléphone d'un voisin. Observez les directives du fournisseur de gaz.
 - Si vous ne pouvez pas joindre votre fournisseur de gaz, appelez le service d'incendie.
- L'installation, l'entretien et les réparations doivent être exécutés par un installateur agréé, un organisme de service ou le fournisseur de gaz.

Utilisation de la sècheuse

Pour réduire le risque d'incendie, de choc électrique ou de blessure, lisez les CONSIGNES DE SÉCURITÉ IMPORTANTES avant de faire fonctionner cet appareil.

⚠ AVERTISSEMENT - Risque d'incendie

- Gardez les matières et les vapeurs inflammables telles que l'essence à distance de la sècheuse.
- **NE** séchez **AUCUN** article qui a déjà reçu une matière inflammable (même après le lavage).
- Aucune laveuse ne peut éliminer l'huile totalement.
- **NE** séchez **AUCUN** article qui a déjà reçu un type d'huile quelconque (y compris les huiles de cuisson).
- Les articles qui comportent de la mousse, du caoutchouc ou du plastique doivent sécher sur une corde à linge.
- Le non-respect de ces instructions pourrait entraîner la mort, l'explosion ou l'incendie.

Les caractéristiques et l'apparence de la cuisinière montrée dans ce manuel peuvent varier selon le modèle.

Étape 1



- Nettoyez le filtre
- Chargez le linge sans le tasser.
- Fermez la porte.

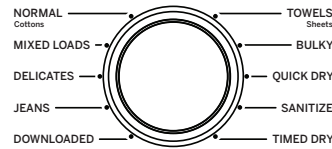
REMARQUE : La sècheuse ne démarre pas lorsque la porte est ouverte.

Étape 2



- Si l'écran est obscur, appuyez sur le bouton Power (alimentation) pour activer l'afficheur.

Étape 3



- Sélectionnez un cycle de séchage à détection de sécheresse. (Des réglages par défaut sont attribués à chaque cycle de séchage. Ces réglages peuvent être modifiés. Voyez les descriptions des cycles pour plus d'information.)

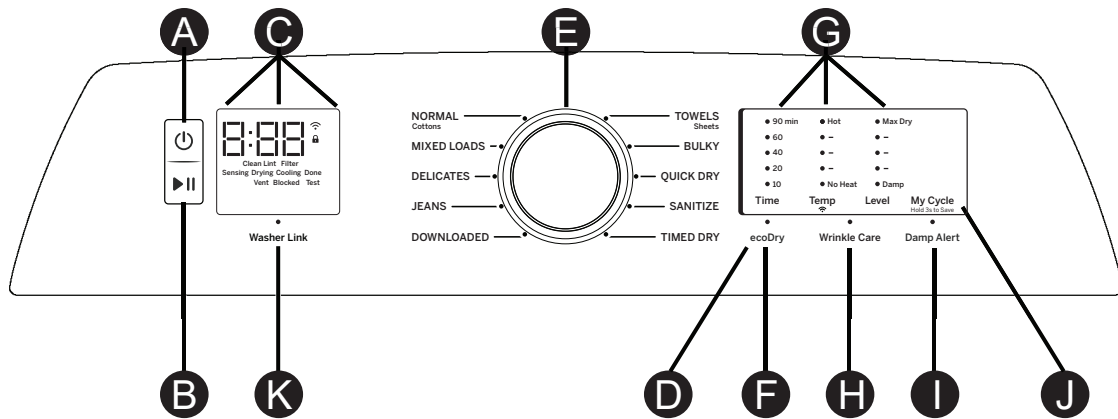
Étape 4



- Appuyez sur le bouton Start/Pause (Départ/Pause).

Utilisation de la sècheuse

Les caractéristiques et l'apparence varieront.



A Power (alimentation)

Appuyez pour activer l'affichage. Si l'afficheur est actif, appuyez pour mettre la sècheuse en mode repos. **NOTE** : Vous ne débranchez pas votre appareil de l'alimentation électrique en appuyant sur **Power (Alimentation)**.

B Départ/Pause

Appuyez sur **Start** (Mise en marche) pour démarrer le cycle. **REMARQUE** : La porte doit être fermée pour démarrer le cycle. Une autre pression sur **Start** fera pauser le cycle, la voyant **Start** clignotera et « **Pause** » s'affichera. Pour continuer le cycle, appuyez sur **Start** de nouveau.

C Affichage et voyants d'état

L'écran affiche le temps approximatif restant avant la fin du programme

De plus, cet affichage indiquera l'état de la sècheuse :

Pause (certains modèles)	Le voyant Start/Pause clignote et le message « Pause » s'affiche lorsque le cycle de la sècheuse est mis sur pause. Vous pouvez redémarrer le cycle en pressant le bouton Start .
WiFi (certains modèles)	Vous permet de communiquer avec votre électroménager par téléphone intelligent à des fins de surveillance et de notification.
🔒 Controls (Cadenas)	La sècheuse est verrouillée - Clignote une fois si vous pressez n'importe quel bouton ou tournez le bouton des cycles.
Sensing (Détection du degré d'humidité)	Indique que la sècheuse détecte le degré d'humidité afin d'estimer le temps qui reste avant la fin du cycle.
Clean Lint Filter (Nettoyer le filtre à charpie)	Le voyant Clean Lint Filter reste allumé durant 15 secondes après l'arrêt du cycle.
Vent Blocked (Évent obstrué) (certains modèles)	Le voyant Vent Blocked signale un problème de réduction de la circulation d'air, possiblement en raison d'un évent obstrué ou restreint. Nous recommandons de vérifier et/ou de nettoyer le système de ventilation. Voyez le problème intitulé « Le voyant Vent Blocked est allumé » dans la section des Conseils de dépannage .
Sensing (Détection du degré d'humidité)	Les vêtements nécessitent du temps de séchage supplémentaire.
Drying (Séchage)	La sècheuse retire l'humidité des vêtements.
Cooling (Refroidissement)	Période d'admission d'air froid après le séchage.
Done (Fin du cycle)	Le cycle est terminé et le mot « END » (Fin) s'affiche.
Vent + Test (Évent et test)	Test de diagnostic du système de ventilation.

Utilisation de la sècheuse

D Control Lock (Verrouillage de contrôle)

Vous pouvez verrouiller les contrôles pour empêcher tout choix de cycle, ou vous pouvez verrouiller les contrôles après avoir commencé un cycle. Les enfants ne peuvent pas mettre accidentellement en marche la sècheuse en appuyant sur des touches quand vous choisissez cette option.

Pour verrouiller/ déverrouiller les contrôles de la sècheuse, appuyez sur le bouton **Light** (Voyant) et tenez-la appuyée pendant 3 secondes. L'icône de cadenas clignotera durant le verrouillage ou le déverrouillage, restera allumée en verrouillage et éteinte en déverrouillage.

REMARQUE : Vous pouvez encore utiliser le bouton **Power** (Alimentation) quand la machine est verrouillée.

E Cycles de séchage	Les cycles à capteur déterminent automatiquement la sécheresse des tissus. Les cycles minutés fonctionnent selon le temps sélectionné.
SANITIZE (Désinfecter)	Cette option réduit certains types de bactéries, y compris : Staphylococcus aureus, Pseudomonas aeruginosa et Klebsiella pneumoniae. Le processus antibactérien survient lorsqu'une chaleur élevée est utilisée pendant une partie du cycle de séchage; le refroidissement sera aussi prolongé afin de vous protéger contre les vêtements chauds. REMARQUE : N'utilisez pas ce cycle avec des tissus délicats.
BULKY (Literie volumineuse)	Pour manteaux grand format, jetés de lit, housses à matelas, sacs de couchage, couvertures, douillettes, blousons, carpettes et autres articles volumineux.
TOWELS/ Sheets (Serviettes/ Draps)	Pour la plupart des serviettes et des lins.
NORMAL/ Cottons (Cotons)	Pour les cotons et la plupart des articles en toile. REMARQUE : Les modèles ENERGY STAR® sont testés sur le cycle NORMAL/Cottons avec les réglages par défaut (Dry level, Hot temperature et ecoDry).
MIXED LOADS (Charges mixtes)	Pour les brassées constituées de cotons et de mélanges de polyester.
DOWNLOADED (Téléchargé)	Un cycle avec 3 options dans l'application GE Appliances Laundry : Casual (Tenue décontractée, réglage par défaut) : Articles sans repassage et dont il faut réduire le froissement (Wrinkle Care). Active Wear (Tenue active) : Certains vêtements de sport qui nécessitent un supplément de soin. Warm Up (Réchauffage) : Réchauffe les vêtements durant 10 minutes.
DELICATES (Delicate)	Pour les articles délicats, les tissus à entretien spécial et les tricotés.
QUICK DRY (Séchage rapide)	Pour les petites brassées qui doivent être séchées rapidement, comme les tenues de sport ou les uniformes d'école. Ce cycle peut aussi être utilisé si le cycle précédent a laissé quelques articles encore humides, comme des cols ou des ceintures. REMARQUE : Sur certains modèles, le décompte du temps résiduel du cycle apparaîtra sur l'afficheur.
JEANS	Pour les jeans.
TIMED DRY (Séchage minuté)	Réglez le sélecteur de cycle au temps de séchage désiré.
WARM UP (Réchauffage)	Réchauffe les vêtements durant 10 minutes.
AIR FLUFF (Air froid)	Fournit 10 minutes de temps de culbutage sans chaleur. NOTE : Sur les modèles dépourvus du cycle AIR FLUFF (Air froid), sélectionnez TIMED DRY (Séchage minuté) et Temp (réglez la température) sur No Heat (Sans chaleur).

F ecoDry (Séchage éconergétique)

Disponible avec les cycles **BULKY** (Literie volumineuse), **TOWELS/Sheets** (Serviettes/Draps), **NORMAL/ Cottons** (NORMAL/Cotons), **MIXED LOADS** (Charges mixtes), **JEANS** (Jeans) et **DELICATES** (Tissus délicats). Lorsque la touche **ecoDry** (Séchage éconergétique) est pressée, les réglages du cycle changent afin de réduire la consommation totale d'énergie du cycle à détection de sécheresse sélectionné.

REMARQUE : L'option **ecoDry** modifie aussi les durées de cycle. Le réglage **NORMAL/Cottons** (NORMAL/Cotons) sera activé par défaut. Pour des économies d'énergie optimales, activez **ecoDry**. Pour des temps de séchage optimaux, désactivez **ecoDry**.

REMARQUE : Les économies d'énergie varient selon les brassées et les cycles.

Utilisation de la sècheuse

G Réglages

Les réglages individuels pour le temps de prolongation (**Time**), le niveau de sécheresse (**Level**) et la température (**Temp**) peuvent être réglés de minimum (le plus bas dans la colonne) à maximum (le plus haut dans la colonne). En général, la hauteur du réglage dans la colonne est proportionnelle à l'augmentation d'énergie consommée.

Niveau de sécheresse	Description	Le voyant allumé depuis le bas indique le réglage :
MAX Dry	Pour tissus résistants.	5
More Dry	Pour tissus mixtes.	4
Dry	Utilisé pour un niveau de séchage normal adapté à la plupart des brassées. C'est le cycle recommandé pour un fonctionnement en économie d'énergie.	3
Less Dry	Utilisé pour les tissus plus légers.	2
Damp	Pour laisser les articles partiellement humides.	1
Temperature	Description	Le voyant allumé depuis le bas indique le réglage :
Hot	Pour les cotons normaux à lourds.	5
Medium	Pour les synthétiques, les mélanges et les articles étiquetés sans repassage.	4
Low	Pour les tissus délicats, synthétiques et les articles étiquetés Tumble Dry Low (séchage par culbutage à basse température).	3
Extra Low	Pour les tissus délicats, synthétiques et les articles étiquetés « Extra Care » (soin particulier) ou « Gentle Dryness » (séchage délicat).	2
No Heat	Pour culbuter les articles sans chaleur. Pour utilisation avec le cycle TIMED DRY (Séchage minuté) seulement.	1

H Wrinkle Care (Antifroissement)

Utilisez cette option pour réduire les plis des vêtements au minimum. Elle procure 1 heure de culbutage sans chaleur une fois les vêtements secs. Si la fonction **Sound** (Son) est activée et sélectionnez l'option **Wrinkle Care** (Antifroissement), un signal sonore retentira à la fin de la période de séchage et plusieurs fois pendant le cycle **Wrinkle Care** (Antifroissement). Cela vous rappellera qu'il est temps de retirer les vêtements.

Sound (Son)

Maintenez une pression sur le bouton **Wrinkle Care** durant 3 secondes pour basculer entre l'activation ou la désactivation de la fonction **Sound**. Le message « **Sound on** » s'affiche et un son se fera entendre si vous choisissez cette option. Le message « **Sound off** » s'affiche et aucun son ne se fera entendre si vous choisissez cette option.

I Damp Alert (Alerte de vêtements humides)

La sècheuse émet cette **Damp Alert** sont partiellement séchés en laissant une certaine humidité. Retirez les articles que vous souhaitez suspendre pour sécher. **Damp Alert** retentit seulement si cette option est sélectionnée (cependant le cycle de séchage se poursuit). Retirer et suspendre les vêtements lorsqu'ils sont humides peut éviter de recourir au repassage de certains articles. Le voyant près du bouton s'allume lorsque cette alerte est activée.

Drum Light (Lampe du tambour)

Damp Alert est pressé durant 3 secondes ou si la porte est ouverte. Elle s'éteint lorsque la porte est refermée ou peu ou laissée ouverte durant 5 minutes, ou si le bouton **Damp Alert** est pressé durant 3 secondes de nouveau.

- Retirez les vêtements sans tarder au son du signal. Placez les vêtements sur des cintres pour éviter le froissement.
- Utilisez la fonction **Damp Alert** en particulier avec des articles sans repassage, en polyester et les tricots. Ces articles doivent être retirés avant la fin du cycle pour éviter le froissement.

J My Cycle (Mon cycle)

À mesure que le cadran de sélection de cycle est tourné, les réglages **Time** (Séchage minuté), **Level** (Niveau de sécheresse) et **Temp** (Température) passent automatiquement aux valeurs des réglages par défaut. Si vous désirez un réglage différent, appuyez sur la ou les touches appropriées. Maintenez ensuite une pression sur la touche **My Cycle** durant 3 secondes et la sècheuse mémorisera ces réglages pour cette sélection du cadran. Par la suite, vos réglages seront automatiquement rappelés lorsque vous tournerez le cadran de sélection sur ce cycle. **REMARQUE** : L'option **My Cycle** ne permet de régler le signal **Sound** (sonore).

K Washer Link (Communication avec la laveuse)

Cette fonction établit une communication sans fil entre votre sècheuse et votre laveuse afin d'harmoniser automatiquement les réglages de la sècheuse en fonction des vêtements tout juste lavés. Si la sècheuse est dotée d'une connexion Wi-Fi valide et que la fonction **Washer Link** est sélectionnée au moyen du bouton ou de l'application, le voyant au-dessus du bouton s'allumera. Le voyant s'éteint si la fonction n'est pas sélectionnée. Si la sècheuse n'est pas dotée d'une connexion Wi-Fi valide et que cette fonction est sélectionnée (au moyen du bouton ou de l'application), les voyants Wi-Fi et **Washer Link** vont clignoter et une tonalité d'erreur se fera entendre.

Chargement

Respectez toujours l'étiquette d'entretien du fabricant lors de la lessive.

Conseils pour le tri et le chargement

⚠ AVERTISSEMENT - Risque d'incendie

- Gardez les matières et les vapeurs inflammables telles que l'essence à distance de la sècheuse.
- **NE** séchez **AUCUN** article qui a déjà reçu une matière inflammable (même après le lavage).
- Aucune laveuse ne peut éliminer l'huile totalement.
- **NE** séchez **AUCUN** article qui a déjà reçu un type d'huile quelconque (y compris les huiles de cuisson).
- Les articles qui comportent de la mousse, du caoutchouc ou du plastique doivent sécher sur une corde à linge.
- Le non-respect de ces instructions pourrait entraîner la mort, l'explosion ou l'incendie.

En règle générale, lorsque les vêtements sont correctement triés pour le lavage, ils le sont aussi pour le séchage. Essayez aussi de trier les articles en fonction de leur taille. Par exemple, ne séchez pas un drap avec des chaussettes ou d'autres petits articles.

N'ajoutez pas votre feuille d'assouplissant textile lorsque la brassée a commencé à chauffer, car elle risque de provoquer des taches d'assouplissant. Les feuilles d'assouplissant de tissus BounceMD pour sècheuses ont été approuvées pour cette sècheuse si elles sont utilisées conformément aux instructions du fabricant.

Ne surchargez pas. Ceci consomme inutilement de l'énergie et cause des faux plis.

Grille de séchage (certains modèles)

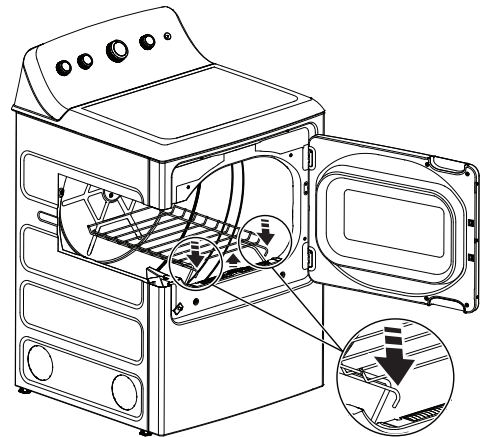
Utilisez une grille de séchage pour sécher les articles délicats, par exemple, les chandails lavables.

Pour installer la grille de séchage :

- 1** Soulevez légèrement le filtre à charpie. (Ne retirez pas le filtre à charpie complètement.)
- 2** Placez la grille dans la sècheuse, baissez ses pieds avant et accrochez-les dans les fentes.
- 3** Poussez la grille à plat et remettez le filtre à charpie à sa position initiale.

REMARQUES :

- La grille de séchage est conçue pour une utilisation avec le programmé de **TIMED DRY** (Séchage minuté). L'utilisation de la grille avec un programme de séchage par capteur peut augmenter la durée des programmes ou conserver l'humidité dans les articles.
- N'utilisez pas la grille de séchage lorsque d'autres vêtements dans la sècheuse.
- Si la grille de séchage n'est pas livrée avec votre modèle, commandez la pièce WE01X25160 en ligne sur **GEApplianceParts.com** 24 heures sur 24, ou en téléphonant au **877.959.8688** pendant les heures normales de bureau.



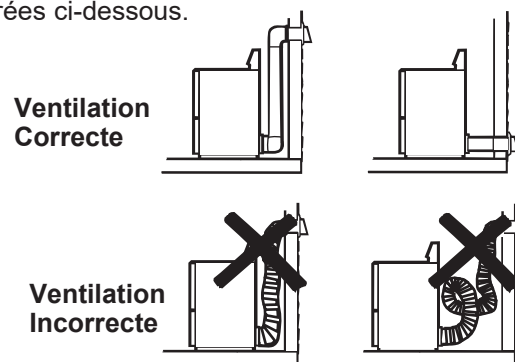
Soulever le filtre et accrocher ses pieds avant dans les fentes

Ventilation

Ventilation de la Sécheuse

Pour pouvoir fournir la meilleure efficacité de séchage, la sécheuse doit être ventilée correctement. La sécheuse utilisera plus d'énergie et aura besoin de plus de temps si elle n'est pas ventilée correctement selon les instructions ci-dessous. Suivez attentivement les instructions de Ventilations de l'appareil énumérées ci-dessous.

- Utilisez seulement un conduit métallique rigide de 4 po (10,2 cm) de diamètre à l'intérieur de l'armoire de la sécheuse. Utilisez seulement un conduit métallique rigide ou un conduit homologué UL de 4 po (10,2 cm) de diamètre pour l'évacuation de l'air à l'extérieur.
- N'utilisez pas un conduit en plastique ou composé d'une autre matière combustible.
- Utilisez la longueur la plus courte possible.
- Évitez à tout prix d'écraser ou de plier le conduit.
- Évitez de faire reposer le conduit sur des objets coupants.
- La ventilation doit être conforme aux codes de construction locaux.



⚠ AVERTISSEMENT - Risque d'incendie

L'air de la sécheuse DOIT être évacué vers l'extérieur.
 Utilisez seulement des tuyaux métalliques rigides de 10,2 cm (4 po) pour le conduit d'évacuation du domicile.
 Utilisez seulement des tuyaux métalliques rigides de 10,2 cm (4 po) ou des conduits de transition pour sécheuse homologués UL pour brancher la sécheuse au conduit d'évacuation du domicile.
 N'employez **PAS** un évent en plastique.
 Ne dirigez **PAS** l'évacuation dans une cheminée, la hotte de cuisine, un évent à gaz, un mur, un plafond, un comble, un vide sanitaire ou un espace dissimulé d'un bâtiment.
 N'installez **PAS** un grillage dans ou par-dessus le conduit d'échappement.
 N'installez **PAS** un ventilateur d'appoint dans le tuyau de ventilation.
 N'utilisez **PAS** un conduit dont la longueur dépasse celle spécifiée dans le tableau des longueurs d'échappement.
 L'omission d'observer ces directives peut entraîner le décès ou l'incendie.

Vent Health (État de la ventilation)

Il s'agit d'un test de diagnostic pour vérifier l'état du système de ventilation. **REMARQUE** : Pour exécuter le test, la température ambiante doit être inférieure à 85°F (si la température est supérieure à 85°F, le test sera invalide et l'écran principal affichera « 00 »).

Pour entrer dans le mode de diagnostic de Vent Health (l'état de la ventilation) :

- 1** Assurez-vous que le tambour soit vide.
- 2** Assurez-vous que le filtre à charpie soit propre.
- 3** Maintenez une pression sur les boutons **Time** (Séchage minuté) et **Level** (Niveau de sécheresse) durant 3 secondes.
- 4** Fermez la porte et appuyez sur **Start** (Mise en marche).

Une fois le test exécuté, l'écran affichera un numéro. Utilisez le tableau ci-dessous pour comprendre le résultat et l'action à prendre.

Affichage principal	Voyant DEL	Résultat	Action*
01	Éteint (Off)	Propre/ Normal	La ventilation de votre maison est en bon état et aucune action n'est requise.
02	Éteint (Off)	Peut nécessiter de l'attention	L'état de la ventilation de votre maison peut affecter la performance de votre sécheuse. Vérifiez et nettoyez, ou réalisez les réglages pour améliorer la situation.
03	Évent/ conduit obstrué	Obstrué	La ventilation de votre maison est très obstruée et cela a un impact sur la performance de votre sécheuse. Nettoyez et/ou réalisez les réglages pour améliorer la situation.

*Voyez également la rubrique **Intérieur et conduit** de la section **Entretien et nettoyage**.

Entretien et nettoyage

Intérieur et Conduit

L'intérieur de l'appareil et le conduit d'évacuation doivent être généralement confiés à un technicien qualifié.

Conduit d'évacuation : Inspectez et nettoyez le conduit d'évacuation au moins une fois par année afin d'éviter qu'il se bouche. La durée de séchage peut être augmentée lorsque l'évacuation est bouchée.

Suivez ces étapes :

- 1 Coupez l'alimentation électrique en débranchant la fiche de la prise murale.
- 2 Débranchez le conduit de la sècheuse.
- 3 Passez l'aspirateur dans le conduit en utilisant la rallonge du boyau puis rebranchez le conduit.

Hotte d'évacuation : Vérifiez avec un miroir que les battants intérieurs se déplacent sans difficulté au cours de l'utilisation. Vérifiez qu'il n'y a pas d'animaux ou d'insectes qui ont fait leur nid dans le conduit ou la hotte.

Extérieur

Essuyez ou époussetez tout déversement ou produit de lavage avec un chiffon humide. Le panneau de commande de la sècheuse peut être endommagé par certains détergents et produits détachants. Appliquez ces produits loin de la sècheuse. Le tissu peut ensuite être lavé et séché normalement. Les dommages causés par ces produits ne sont pas couverts par la garantie de votre sècheuse.

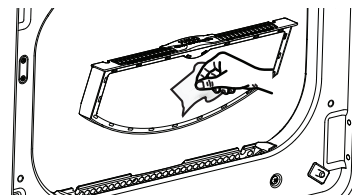
Filtre à charpie

Nettoyez le filtre à charpie avant chaque utilisation.

Retirez en tirant directement vers le haut. Passez vos doigts sur le filtre. Une accumulation cireuse peut se former sur le filtre à charpie en raison de l'ajout de feuilles d'adouçissant dans la sècheuse.

Pour nettoyer cette accumulation, lavez le filtre à charpie à l'eau tiède savonneuse. Séchez à fond et remettez en place.

Passez l'aspirateur dans la zone du filtre à charpie si vous notez un changement dans le rendement de la sècheuse.



N'UTILISEZ JAMAIS LA SÈCHEUSE SANS FILTRE.

Acier inoxydable

Pour nettoyer les surfaces en acier inoxydable, utilisez un chiffon humide et un détergent doux non abrasif convenant aux surfaces en acier inoxydable. Retirez les résidus de produit nettoyant, puis séchez-les avec un chiffon propre.

L'acier inoxydable utilisé pour la fabrication du tambour de la sècheuse vous offre la meilleure fiabilité possible dans une sècheuse GE Appliances. Si le tambour de la sècheuse venait à être marqué ou rayé en cours d'usage normal, il ne rouillerait pas. Ces dommages superficiels n'affecteront pas sa durabilité ni son fonctionnement.

Éclairage du tambour

La lampe du tambour est de type DEL. Son remplacement doit être effectué par un technicien qualifié.

Conseils de dépannage...Avant d'appeler un réparateur

Problème	Causes possibles	Correctifs
La sècheuse émet des secousses et des bruits	Le bruit/ou les secousses sont normaux. La sècheuse est peut-être placée sur une surface inégale	Placez l'appareil sur une surface plane, ou ajustez les pattes au besoin jusqu'à ce qu'il soit bien de niveau.
Le séchage est trop long	Des conduits inadéquats ou bouchés	Consultez les consignes d'installation afin de vous assurer que l'évacuation de l'air de la sècheuse est correcte. Veillez à ce que le conduit soit propre, non déformé et non bouché. Assurez-vous que l'évent mural extérieur fonctionne sans problème.
	Tri erroné	Séparez les articles lourds des légers (en général un linge correctement trié dans la laveuse l'est aussi dans la sècheuse).
	Charges de tissus lourds (serviettes par exemple)	Les tissus lourds et de grande taille contiennent de l'humidité et tardent davantage à sécher. Répartissez les tissus lourds et de grande taille en de plus petites charges pour accélérer le séchage.
	Les commandes sont mal réglées	Réglez les commandes conformément à la charge que vous séchez.
	Le filtre à charpie est plein	Nettoyez le filtre à charpie avant chaque utilisation.
	Fusibles grillés ou disjoncteur déclenché	Remplacez les fusibles ou réenclenchez les disjoncteurs. REMARQUE : Certaines sècheuses électriques utilisent 2 fusibles/disjoncteurs, assurez-vous que les deux sont fonctionnels.
	Surcharge/charges mixtes	Ne mettez pas plusieurs charges dans la sècheuse à la fois.
	Charge insuffisante	Si vous ne séchez qu'un ou deux articles, ajoutez d'autres vêtements afin d'obtenir un bon culbutage.
	ecoDry est activé	La fonction ecoDry est conçue pour faire fonctionner votre sècheuse dans le mode le plus éconergétique, lequel n'est pas toujours le plus rapide. Dans certains cas, le temps de séchage peut être prolongé afin de réduire la consommation globale d'énergie pour le cycle.
Le niveau de séchage Dry a été sélectionné mais le linge est toujours humide	La brassée est composée de vêtements lourds et légers	Lorsque vous mélangez les tissus lourds et légers, sélectionnez Max Dry (Séchage maximal).
	Le système d'échappement est bouché	Inspectez ou nettoyez le système d'échappement.
La sècheuse ne démarre pas	Le panneau de contrôle est en « veille »	C'est normal. Appuyez sur Power (Alimentation) pour activer le panneau de contrôle.
	La sècheuse est débranchée	Veillez à ce que la fiche de la sècheuse soit entièrement branchée dans la prise.
	Fusible grillé/disjoncteur déclenché	Vérifiez le fusible disjoncteur et remplacez le fusible ou réenclenchez le disjoncteur. REMARQUE : Certaines sècheuses électriques utilisent 2 fusibles/disjoncteurs, assurez-vous que les deux sont fonctionnels.
	La sècheuse a été arrêtée par inadvertance au moment de régler la fonction Delay Dry (Mise en marche différée)	Si la lumière de la touche Start/Pause (Mise en marche/pause) clignote, la sècheuse est arrêtée. Appuyez sur Start/Pause (Mise en marche/pause) pour lancer le compte à rebours.
Aucun chiffre n'apparaît pendant le cycle, il ne fait que s'allumer	La sècheuse évalue la quantité d'humidité du linge	C'est normal. Lorsque la sècheuse détectera un faible niveau d'humidité dans le linge, elle affichera le temps de séchage restant.
Le temps restant a diminué	Le temps estimé risque de changer lorsqu'une charge plus petite est en train de sécher	C'est normal.
Impossible de procéder à une sélection et la sècheuse émet un double bip	L'option dryness Level (Niveau de séchage), Temp (Temperature) ou l'option que vous tentez de sélectionner est incompatible avec le cycle de séchage sélectionné	C'est normal.
La sècheuse fonctionne mais 00 est le temps restant affiché	L'option Wrinkle Care (Antifroissement) a été sélectionnée	C'est normal. Pendant un culbutage prolongé, le temps restant n'est pas affiché. L'option de culbutage prolongé dure environ 60 minutes.
Le voyant « Vent Blocked » est allumé	Le filtre à charpie est plein	Nettoyez le filtre à charpie, séchez une brassée en cycle automatique et vérifiez que le voyant s'éteint.
	Des conduits inadéquats ou bouchés	Consultez les consignes d'installation afin de vous assurer que l'évacuation de l'air de la sècheuse est correcte. Veillez à ce que le conduit soit propre, non déformé et non bouché. Assurez-vous que l'évent mural extérieur fonctionne sans problème. Séchez une brassée en cycle automatique et vérifiez que le voyant s'éteint.
	Le système d'évacuation est bloqué	Inspectez et nettoyez-le système d'évacuation. Séchez une brassée en cycle automatique et vérifiez que le voyant s'éteint.

Conseils de dépannage...Avant d'appeler un réparateur

Problème	Causes possibles	Correctifs
La sècheuse ne chauffe pas	Fusible grillé/disjoncteur déclenché, la sècheuse peut tourner mais ne chauffe pas	Vérifiez le fusible disjoncteur et remplacez le fusible ou réenclenchez le disjoncteur. Votre sècheuse peut tourner si un fusible est grillé ou un disjoncteur est déclenché. REMARQUE : Certaines sècheuses électriques utilisent 2 fusibles/disjoncteurs, assurez-vous que les deux sont fonctionnels.
	L'alimentation en gaz est coupée (modèles à gaz seulement)	Assurez-vous que le robinet de sectionnement du gaz à la sècheuse ou le robinet de sectionnement principal est complètement ouvert.
	Le réservoir de gaz LP (pétrole liquéfié) est vide ou il y a interruption de l'alimentation en gaz par le fournisseur (modèles à gaz seulement)	Remplissez et remplacez le réservoir. La sècheuse devrait chauffer à nouveau une fois l'alimentation du fournisseur rétablie.
	L'option No Heat (sans chaleur) est sélectionnée	Sélectionnez un autre réglage de chaleur.
Temps de séchage non uniformes	Type de chaleur	Le temps de séchage variera en fonction du type de chauffage utilisé. Si vous avez récemment remplacé votre sècheuse électrique par un modèle à gaz propane, ou vice-versa, le temps de séchage peut ne pas être le même.
	Type de charge et conditions de séchage	La taille du linge, les types de tissus, l'humidité du linge et la longueur et l'état du système d'évacuation auront une influence sur le temps de séchage.
Le linge est toujours humide et la sècheuse s'est arrêtée après quelques instants	La porte a été ouverte au milieu du cycle. Le linge a été ensuite retiré de la sècheuse et une nouvelle charge introduite sans sélectionner un nouveau cycle	Un cycle de séchage doit être sélectionné chaque fois qu'une nouvelle brassée est placée dans l'appareil.
	Charge petite	Si vous séchez 3 articles au plus, sélectionnez QUICK DRY (Séchage rapide) ou TIMED DRY (Séchage minuté).
	Le linge est déjà sec à l'exception des cols et les ceintures	Sélectionner QUICK DRY (Séchage rapide) ou TIMED DRY (Séchage minuté) pour sécher des cols et des ceintures. À l'avenir, lorsque vous séchez des articles possédant des cols et des ceintures, sélectionnez plutôt More Dry (Plus Sec).
	La sècheuse n'est pas placée sur une surface plane	Placez l'appareil sur une surface plane, ou ajustez les pattes au besoin jusqu'à ce qu'il soit bien de niveau.
Le linge est froissé	Séchage excessif	Sélectionnez un temps de séchage plus court. Retirez du linge pendant qu'il est encore légèrement humide. Sélectionnez les options Less Dry (Moins sec) ou Damp (Humide).
	Linge laissé dans la sècheuse alors que le cycle est fini	Retirez le linge une fois le cycle terminé, pliez et suspendez-le immédiatement, ou utilisez l'option Wrinkle Care (Antifroissement).
	Surcharge	Répartissez les tissus lourds et de grande taille en de plus petites charges.
Le linge a rétréci	Certains tissus rétréciront naturellement au lavage. D'autres peuvent être lavés sans problème, mais rétréciront dans la sècheuse	Afin d'éviter tout rétrécissement, suivez les indications figurant sur les étiquettes des vêtements. Certains vêtements doivent être étirés après le séchage afin qu'ils retrouvent leur forme d'origine. Si vous avez peur qu'un vêtement rétrécisse, ne le lavez pas à la machine ou ne le séchez pas dans la sècheuse.
Des tâches de gras sur le linge	Une utilisation inadéquate de l'assouplissant	Suivez le mode d'emploi figurant sur l'emballage de l'assouplissant.
	Séchage de linge propre avec du linge sale	Utilisez votre sècheuse pour ne sécher que du linge propre. Le linge sale risque de tacher le linge propre et la sècheuse.
	Le linge n'était pas complètement propre	Il arrive parfois que des taches ne soient pas visibles lorsque le linge est humide et apparaissent après le séchage. Utilisez des procédures de lavage adéquates avant le séchage.
De la charpie sur le linge	Le filtre à charpie est plein	Nettoyez le filtre à charpie avant chaque utilisation.
	Tri erroné	Triez les tissus producteurs de charpie (chenille par exemple) des tissus collecteurs de charpie (le velours côtelé par exemple).
	L'électricité statique peut attirer la charpie	Se reporter aux suggestions de la section Électricité statique .
	Surcharge	Répartissez les tissus lourds et de grande taille en de plus petites charges.
	Papier, mouchoir, etc., oubliés dans les poches	Videz toutes les poches avant de laver le linge.

Conseils de dépannage...Avant d'appeler un réparateur

Problème	Causes possibles	Correctifs
Électricité statique	Aucun assouplissant n'a été utilisé	Essayez un assouplissant. Les feuilles d'assouplissant textile de marque BounceMD ont été approuvées pour toutes les sècheuses GE Appliances lorsqu'elles sont utilisées conformément aux instructions du fabricant.
	Séchage excessif	Essayez un assouplissant. Réglez l'option Damp (Humide).
	Les synthétiques, les mélanges et les infroissables peuvent provoquer de l'électricité statique	Essayez un assouplissant.
Les cols et les ceintures sont toujours humides à la fin du cycle	Le capteur d'humidité détecte que la majeure partie du linge est sèche	Sélectionnez Quick Dry (Séchage rapide) ou Time Dry (Séchage minuté) pour sécher les cols et les ceintures humides. À l'avenir, lorsque vous séchez des articles possédant des cols et des ceintures, sélectionnez plutôt Max Dry (Séchage maximal).
Légère variation de la couleur métallique	C'est normal	En raison des propriétés métalliques de la peinture utilisée pour ce produit, de légères variations de couleur peuvent se produire en raison des conditions d'éclairage et des angles d'observation.
La sècheuse continue à fonctionner après que l'affichage indique que le programme est terminé	L'option de culbutage prolongé a été sélectionnée	Assurez-vous que l'option Wrinkle Care (Antifroissement) n'a pas été sélectionnée.

Garantie limitée de la sècheuse GE Appliances

GARANTIE LIMITÉE

electromenagersge.ca

Toutes les réparations sous garantie seront effectuées par nos centres de réparation ou nos réparateurs autorisés. Pour planifier un service en ligne, rendez-vous sur **Electromenagersge.ca/fr/soutien/demande-de-service** ou appelez le **800.561.3344**. Veuillez fournir le numéro de série et le numéro de modèle lorsque vous appelez pour obtenir le service.

Pour le diagnostic, la réparation de votre appareil peut nécessiter l'utilisation du port de données embarqué. Celui-ci permet au technicien de réparation GE Appliances de diagnostiquer rapidement des problèmes avec votre appareil. Il permet également à GE Appliances d'améliorer ses produits en fournissant à ces derniers des informations sur votre appareil. Si vous ne voulez pas que les données de votre appareil soient envoyées à GE Appliances, veuillez demander à votre technicien de NE PAS soumettre les données à GE Appliances pendant la réparation.

Pendant la période de :	Nous remplacerons :
Un an À compter de la date d'achat d'origine	Toute pièce de la sècheuse qui se révèle défectueuse en raison d'un vice de matériaux ou de fabrication. Au cours de cette garantie limitée d'un an , nous fournirons également, sans frais , les pièces et la main-d'œuvre pour remplacer la pièce défectueuse.

Ce qui n'est pas couvert :

- Toute visite à votre domicile pour vous expliquer le fonctionnement de l'appareil.
- L'installation, la livraison ou l'entretien inadéquats de l'appareil.
- Toute défectuosité du produit attribuable à une utilisation abusive ou inadéquate, s'il a été utilisé à toute autre fin que celle pour laquelle il a été conçu, ou s'il a été utilisé à des fins commerciales.
- Le remplacement des fusibles ou le réenclenchement des disjoncteurs de votre domicile.
- Les produits qui ne sont pas défectueux ou brisés, ou qui fonctionnent tel que décrit dans le Manuel de l'utilisateur.
- Tout dommage au produit attribuable à un accident, un incendie, une inondation ou une catastrophe naturelle.
- Tout dommage accessoire ou indirect, causé par des défaillances possibles de l'appareil.
- Les défectuosités ou les dommages causés par une utilisation de l'appareil à des températures situées sous le point de congélation.
- Tout dommage causé après la livraison.
- Tout produit auquel il n'est pas possible d'accéder pour effectuer les réparations nécessaires.

EXCLUSION DES GARANTIES IMPLICITES :

Votre seul et unique recours est de faire réparer le produit dans le cadre de cette garantie limitée. Toute garantie implicite, incluant la garantie de qualité marchande ou d'adaptabilité du produit à un usage particulier, est limitée à un an ou à la période la plus courte autorisée par la loi.

Agrafez le reçu d'achat ici. Pour obtenir le service sous garantie, vous devrez fournir la preuve de l'achat original.

Cette garantie limitée est offerte à l'acheteur initial, ainsi qu'à tout propriétaire subséquent d'un produit acheté au Canada en vue d'une utilisation domestique au Canada. Si le produit se situe dans une zone où aucun réparateur agréé par GE Appliances n'est disponible, vous devrez peut-être assumer les frais de déplacement de celui-ci ou apporter le produit à un atelier de réparation agréé par GE Appliances.

Dans certains États ou province, il est interdit d'exclure ou de limiter les dommages indirects ou accessoires. Il est alors possible que les limitations ou exclusions ci-dessus ne s'appliquent pas dans votre cas. La présente garantie limitée vous confère des droits juridiques spécifiques. Vous pouvez bénéficier d'autres droits, qui varient d'un État ou d'une province à l'autre. Pour connaître les droits dont vous bénéficiez, communiquez avec le bureau des Relations avec les consommateurs de votre région ou de votre province.

Garant : MC Commercial Inc., Burlington, ON, L7R 5B6

Soutien au consommateur

Site Web de GE Appliances

Vous avez une question ou vous avez besoin d'aide pour votre appareil électroménager? Visitez le site Web de GE Appliances 24 heures par jour, tous les jours de l'année! Vous pouvez aussi y trouver d'autres formidables produits GE Appliances et tirer avantage de tous nos services d'assistance en ligne. Au Canada : ElectromenagersGE.ca/fr.

Enregistrez votre électroménager

Enregistrez votre nouvel appareil en ligne au moment qui vous convient le mieux! L'enregistrement de votre produit dans les délais prescrits permet une meilleure communication et un service rapide, selon les modalités de votre garantie, si besoin est. Vous pouvez également envoyer par courrier la carte d'enregistrement pré-imprimée qui se trouve dans l'emballage de votre appareil.

Au Canada : Prodsupport.mabe.ca/crm/Products/ProductRegistration.aspx.

Service de réparation

Un service de réparation expert GE Appliances se trouve à quelques pas de chez vous. Rendez-vous sur notre site et programmez, à votre convenance, une visite de réparation à n'importe quel jour de l'année.

Au Canada : electromenagersge.ca/fr/soutien/demande-de-service ou composez le 800.561.3344.

Prolongation de garantie

Procurez-vous une prolongation de garantie GE Appliances et informez-vous des rabais spéciaux en vigueur pendant la durée de votre garantie. Vous pouvez vous la procurer en ligne en tout temps. Les services GE Appliances seront toujours disponibles après l'expiration de la garantie.

Au Canada : electromenagersge.ca/fr/soutien/achat-d-une-garantie-prolongee ou composez le 866.277.9842.

Connectivité à distance

Pour de l'assistance concernant la connectivité au réseau sans fil (pour les modèles équipés de cette fonction), visitez notre site Web au electromenagersge.ca/fr/nouvelles-et-promotions/nouveautes/wifi-connect/ ou composez le 800.220.6899.

Pièces et accessoires

Les personnes ayant les compétences requises pour réparer elles-mêmes leurs appareils peuvent recevoir directement à la maison des pièces ou accessoires (les cartes VISA, MasterCard et Discover sont acceptées). Commandez en ligne 24 heures par jour.

Au Canada : Electromenagersge.ca/fr/produits/filtres-et-accessoires ou composer le 800.661.1616.

Les instructions contenues dans le présent manuel comportent des procédures que tout utilisateur peut effectuer. Les autres types de réparation doivent généralement être confiés à un technicien qualifié. Utilisez de prudence : une réparation ou un entretien mal effectués peuvent rendre l'utilisation de l'appareil dangereuse.

Communiquez avec nous

Si vous n'êtes pas satisfait du service après-vente de GE Appliances, communiquez avec nous depuis notre site Web en fournissant tous les détails dont votre numéro de téléphone, ou écrivez à :

Au Canada : Director, Consumer Relations, MC COMMERCIAL INC. | Suite 310, 1 Factory Lane | Moncton, N.B. E1C 9M3
electromenagersge.ca/fr/contactez-nous ou composez le 877.994.5366



SECADORAS

INFORMACIÓN DE SEGURIDAD3

COMO USAR LA SECADORA.... 5
Comunicación del Electrodoméstico 5

CARGA.....9

VENTILACIÓN10

CUIDADO Y LIMPIEZA 11

CONSEJOS PARA LA SOLUCIÓN DE PROBLEMAS12

GARANTÍA LIMITADA15

SOPORTE AL CONSUMIDOR...16

Manual del propietario

ESPAÑOL

Escriba el número de modelo y de serie aquí:

No. de modelo _____

No. de serie _____

Estos números se encuentran en una etiqueta en la parte delantera de la secadora, detrás de la puerta.



49-3000244 Rev 1

07-21 GEA

GRACIAS POR HACER QUE GE APPLIANCES SEA PARTE DE SU HOGAR.

Ya sea que haya crecido usando GE Appliances, o que esta sea su primera vez, nos complace tenerlo en la familia.

Nos enorgullecemos de la calidad en los detalles, la innovación y el diseño que se incluyen en todos los GE Appliances, y creemos que usted también lo hará. Entre otras cosas, el registro de su electrodoméstico asegura que podamos entregarle información importante del producto y detalles de la garantía cuando los necesite.

Registre su electrodoméstico GE ahora a través de Internet. Sitios Web y números telefónicos útiles están disponibles en la sección de Soporte para el Consumidor de este Manual del Propietario.

También puede enviar por correo la tarjeta de registro preimpresa incluida en el empaque.



INFORMACIÓN IMPORTANTE DE SEGURIDAD

LEA TODAS LAS INSTRUCCIONES ANTES DE USAR

⚠️ ADVERTENCIA

Para reducir el riesgo de incendio, explosión, descargas eléctricas o lesiones sobre las personas al usar su electrodoméstico, siga las precauciones básicas, incluyendo lo siguiente:

- Lea todas las instrucciones antes de usar este electrodoméstico.
- **NO** seque prendas que en forma previa hayan sido secadas, lavadas, penetradas, o manchadas con gasolina, solventes de limpieza en seco, u otras sustancias inflamables o explosivas, ya que despiden vapores que se podrían encender o explotar.
- **NO** coloque en su secadora prendas expuestas a aceite de cocina. Las prendas contaminadas con aceite de cocina pueden producir una reacción química que incendie a una carga de ropa. Para reducir el riesgo de incendio debido a cargas contaminadas, la parte final del ciclo se hace sin calor (período de enfriamiento). Evite detener una secadora antes del final del ciclo de secado a menos que todos los artículos se retiren y se dispersen rápidamente para que el calor se disipe.
- **NO** permita que los niños jueguen sobre o dentro de este electrodoméstico. Cuando el electrodoméstico se use cerca de niños, es necesario supervisarlos de cerca.
- Antes de que este electrodoméstico quede fuera de uso o se deseche, retire la puerta del compartimiento de secado.
- **NO** introduzca las manos en la secadora cuando el tambor se encuentre en movimiento.
- **NO** instale ni guarde este electrodoméstico donde quede expuesto a los factores climáticos.
- **NO** manipule indebidamente los controles.
- **NO** se trepe ni se pare sobre la unidad.
- **NO** repare ni reemplace ninguna parte de este electrodoméstico ni intente realizar ningún otro servicio a menos que se recomiende específicamente en las instrucciones de mantenimiento para el usuario, mismas que usted deberá entender y tener las habilidades necesarias para llevarlas a cabo.
- Siga todas las instrucciones y advertencias de cuidado de las telas para evitar que se derrita la ropa o que se dañe el electrodoméstico.
- **NO** utilice suavizantes de tela ni productos para eliminar la estática, a menos que esto sea recomendado por el fabricante del suavizante de tela o del producto para eliminar la estática.
- **NO** seque artículos que contengan hule espuma o telas con textura parecida al hule.
- Limpie el filtro atrapa pelusa antes o después de cada carga.
- **NO** utilice la secadora si el filtro atrapa pelusa **no** se encuentra colocado.
- **NO** guarde materiales combustibles, gasolina u otros líquidos inflamables cerca de la secadora. Evite la acumulación de pelusa, polvo o tierra alrededor del área de la apertura de ventilación y áreas adyacentes.
- El interior de la secadora y el conducto de escape deben ser limpiados periódicamente por personal de servicio calificado.
- Desenchufe el electrodoméstico o apague el disyuntor antes de darle servicio. El hecho de presionar el botón de **Power** (encendido) o de **Start/Pause** (inicio/pausa) **NO** desconecta la energía.
- **NO** utilice este electrodoméstico si se encuentra dañado, funcionando mal, parcialmente desensamblado, o si tiene partes faltantes o rotas, incluyendo un cable o enchufe dañado.
- **NO** rocíe ningún tipo de aerosol dentro, sobre o cerca de la secadora en ningún momento. **NO** use ningún tipo de limpiador en aerosol al limpiar el interior de la secadora. Pueden producirse vapores peligrosos o descargas eléctricas.
- Para acceder a las instrucciones de conexión a tierra, lea la sección de "CONEXIÓN ELÉCTRICA" ubicados en las Instrucciones de Instalación.

Forma adecuada de descartar su electrodoméstico

- Descarte o recicle su electrodoméstico de acuerdo con las Regulaciones Federales y Locales. Comuníquese con las autoridades locales para descartar o reciclar su electrodoméstico de forma ambientalmente segura.
- Tenga en cuenta las opciones de reciclaje del material de embalaje de su electrodoméstico.

LEA Y GUARDE ESTAS INSTRUCCIONES

INFORMACIÓN IMPORTANTE DE SEGURIDAD LEA TODAS LAS INSTRUCCIONES ANTES DE USAR

ADVERTENCIAS ADICIONALES SOBRE LA SECADORA A GAS

▲ADVERTENCIA  - Riesgo de incendio o de explosión

No seguir exactamente las advertencias de seguridad podría resultar en lesiones graves, la muerte o daño a la propiedad.

- NO guarde ni use gasolina u otros vapores y líquidos inflamables cerca de este ni de otros electrodomésticos.
- QUÉ DEBE HACER SI HUELE GAS:
 - NO encender iluminar ningún electrodoméstico.
 - NO toque ningún interruptor eléctrico; NO use teléfonos en su edificio.
 - Haga que se retiren los ocupantes de la sala, edificio o área.
 - De inmediato llame a su proveedor de gas desde el teléfono de un vecino. - Siga las instrucciones del proveedor de gas.
 - Si no se puede comunicar con su proveedor de gas, llame al departamento de bomberos.
- La instalación y las reparaciones deberán ser realizadas por un instalador calificado, agencia de servicios o el proveedor de gas.

Como usar la secadora

⚠ ADVERTENCIA

Para reducir el riesgo de incendios, descargas eléctricas o heridas, lea la **INFORMACIÓN IMPORTANTE DE SEGURIDAD** antes de utilizar este electrodoméstico.

⚠ ADVERTENCIA



- Riesgo de incendio

- Mantenga cualquier material y vapores inflamables, tales como gasolina, alejados de la secadora.
- **NO** seque nada que alguna vez haya tenido algo inflamable en éste (incluso luego de lavar).
- Ninguna lavadora puede eliminar el aceite por completo.
- **NO** seque nada que alguna vez haya tenido algún tipo de aceite (incluyendo aceites de cocina).
- Las prendas que contengan espuma, hule o plástico deben secarse en un tendedero.
- Si no se cumple con esto, se podrá producir muerte, explosión o incendio.

Comunicación del Electrodoméstico

WiFi Connect (Conexión WiFi) (Sólo para clientes en los Estados Unidos)

Dependiendo del modelo, su secadora está habilitada para **GE Appliances WiFi Connect**, o es compatible si se usa el modulo opcional **U+ Connect de GE Appliances**.

Si está habilitada: Visite GEAppliances.com/connect e ingrese su número de modelo para mostrarle los pasos apropiados para conectar su aparato.

Si es compatible: Para conectar este electrodoméstico a Internet, es necesario que adquiera un **U+ Connect de GE Appliances** y que adhiera el módulo a su electrodoméstico a través del puerto de comunicación del electrodoméstico. El **U+ Connect de GE Appliances** permitirá que su electrodoméstico tenga comunicación con su teléfono inteligente para monitoreo remoto, control y recepción de notificaciones del electrodoméstico.

Conectividad WiFi: Para recibir asistencia en relación al electrodoméstico o la conectividad de red de **U+ Connect**, comuníquese GE Appliances Soporte de Hogar Conectado al **800.220.6899**.

Visite GEAppliances.com/connect para aprender más sobre las funciones del electrodoméstico conectado, para saber qué aplicaciones del electrodoméstico conectado funcionarán con su teléfono inteligente y para saber dónde puede comprar un módulo **U+ Connect**.

El módulo **U+ Connect** tiene la ID de FCC/IC ubicada en la parte posterior del módulo.

Número de Pieza	Accesorio
PBX23W00Y0	WiFi U+ Connect módulo

Es posible que las funciones y apariencias varíen con relación a su modelo a lo largo del manual.

Paso 1



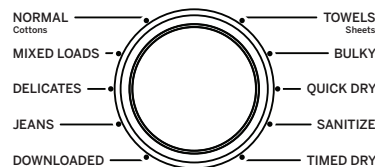
- Filtro para la limpieza de pelusa
 - Agregue las prendas.
 - Cierre la puerta.
- NOTA:** La secadora no se iniciará con la puerta abierta.

Paso 2



- Si la pantalla se encuentra oscura, presione el botón Power (encendido/apagado) para "despertar" la pantalla.

Paso 3



- Seleccione un ciclo de secado. (Cada ciclo de secado ya tiene ciertos valores predeterminados. Estos valores se pueden cambiar. Vea las descripciones de los ciclos para más información.)

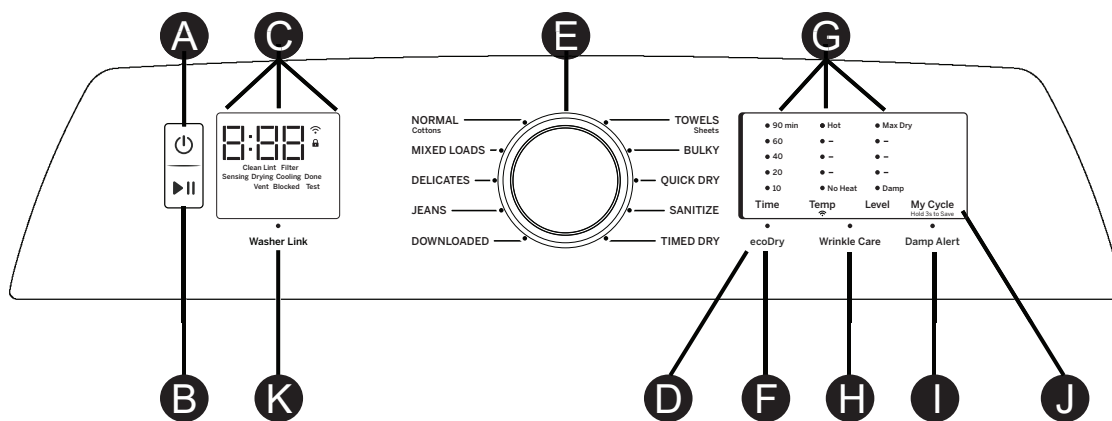
Paso 4



- Si seleccionó un ciclo de secado, presione el botón Start/Pause (iniciar/pausa).

Como usar la secadora

Las características y apariencia variarán.



A Power (Encendido)

Presione para “activar” la pantalla. Si la pantalla está activa, presione para que la secadora quede en el modo inactivo. **NOTA:** Presionar **Power** (Encendido) no desconecta el electrodoméstico del suministro de corriente.

B Start and Pause (Inicio y Pausa)

Presione **Start** (Inicio) para comenzar el ciclo. **NOTA:** La puerta debe estar cerrada para que la secadora inicie el ciclo. Presionar **Start** (Inicio) nuevamente pausará el ciclo, la luz de **Start** (Inicio) parpadeará y aparecerá “**Pause**” (Pausa). Para continuar con el ciclo, presione nuevamente la tecla **Start** (Inicio).

C Display and Status Lights (Pantalla y Luces de Estado)

La pantalla muestra el tiempo aproximado que queda para terminar el ciclo.

Además, esta pantalla mostrará el estado de la secadora:

Pause (en algunos modelos)	El Start/Pause (Inicio y Pausa) la luz parpadeará y el mensaje “ Pause ” (Pausa) se mostrará en la pantalla cuando el ciclo de la secadora sea pausado. El ciclo podrá ser reiniciado presionando la tecla Start (Inicio).
WiFi (en algunos modelos)	Permite a su aparato comunicarse con su teléfono celular por control remoto y recibir notificaciones.
Controls	La secadora está bloqueada – titilará una vez si presiona cualquier botón o gira la perilla de ciclo.
Sensing	Indica que la secadora está detectando el nivel de humedad para determinar el tiempo de ciclo restante estimado.
Clean Lint Filter	La luz de Filtro de Limpieza de Pelusas permanecerá encendida durante 15 segundos una vez que el ciclo se detenga.
Vent Blocked (en algunos modelos)	La luz Vent Blocked (Ventilación Bloqueada) se iluminará indicando que se ha encontrado un problema debido a la reducción del flujo de aire por ventilación obstruida o restringida. Se recomienda revisar y/o limpiar el ducto de escape. Consulte, La luz “Vent Blocked” está encendida en la sección Consejos para la solución de problemas .
Sensing (Sensor)	Las prendas necesitan tiempo de secado adicional.
Drying (Secado)	La secadora de ropa está eliminando la humedad.
Cooling (Frío)	Tiempo de secado frío con aire luego del proceso de secado.
Done (Listo)	El ciclo fue completado y se exhibirá la leyenda “END” (Fin).
Vent + Test	Prueba de diagnóstico del sistema de ventilación.

Como usar la secadora

D Control Lock (Bloqueo del Control)

Puede bloquear los controles para evitar que se haga cualquier selección. O puede bloquear los controles luego de haber iniciado un ciclo. Los niños no pueden iniciar de forma accidental la secadora presionando las teclas cuando esta opción haya sido seleccionada.

Para bloquear/desbloquear los controles la secadora, mantenga presionado el botón **ecoDry** durante 3 segundos. El ícono de bloqueo del control parpadeará durante el bloqueo / desbloqueo, se quedará encendido durante el bloqueo y se apagará durante el desbloqueo.

NOTA: El botón **Power** (Encendido) aún podrá ser usado cuando la máquina esté bloqueada.

E Ciclos de Secado --- Los ciclos del sensor determinan de forma automática cuán seca está la tela. --- Los ciclos por tiempo funcionan durante una cantidad de tiempo seleccionada

SANITIZE (Sanitize)	Esta opción reduce ciertos tipos de bacterias incluyendo: staphylococcus aureus, pseudomonas aeruginosa y klebsiella pneumoniae. El proceso antibacteriano ocurre cuando se utiliza un alto nivel de calor durante una parte del ciclo de secado; el enfriamiento tomará mayor tiempo para protegerlo de alguna prenda caliente. NOTA: No use este ciclo con telas delicadas.
BULKY (Prendas Voluminosas)	Para abrigos grandes, prendas de cama, cubiertas de colchones, bolsas de dormir y artículos grandes/gruesos similares tales como mantas, edredones, fundas y tapetes pequeños.
TOWELS/Sheets (Toallas/Sábanas)	Para la mayoría de las toallas y prendas blancas.
NORMAL/Cottons (Algodones)	Para algodones y la mayoría de la ropa de lino. NOTA: Los modelos ENERGY STAR® se prueban en NORMAL/Cottons con los valores predeterminados (nivel de secado: Dry (seco o 3), temperatura: Hot (caliente) y EcoDry (secado ecológico).
MIXED LOAD (Cargas Combinadas)	Para cargas con algodones y telas combinadas.
DOWNLOADED (DESCARGADO)	Un ciclo de 3 opciones a través de la Aplicación GE Appliances Laundry: Casual (predeterminado): Artículos con planchado permanente o tratamientos para minimizar arrugas. Active Wear (Ropa Informal): Artículos deportivos especiales que necesitan un secado adicional. Warm Up (Calentamiento): Brinda 10 minutos de calentamiento para acondicionar las prendas.
DELICATES (Prendas Delicadas)	Para prendas delicadas, telas y tejidos que requieren cuidado especial.
QUICK DRY (Secado rápido)	Para pequeñas cantidades necesarias en un apuro, tales como prendas deportivas o uniformes escolares. También se puede usar si en el ciclo previo quedaron algunas prendas húmedas, tales como cuellos o pretinas. NOTA: En algunos modelos, el tiempo restante del ciclo mostrará la cuenta regresiva en la pantalla.
JEANS (Vaqueros)	Para Vaqueros.
TIMED DRY (Secado por tiempo)	Seleccione este ciclo si desea escoger el tiempo de secado.
WARM UP (Calentamiento)	Proporciona 10 minutos de calentamiento para calentar la ropa.
AIR FLUFF (Esponjado con aire)	Brinda 10 minutos de giro sin calor. NOTA: En los modelos sin ciclo de AIR FLUFF (Esponjado con aire), seleccione TIMED DRY (Secado por tiempo) y configure Temp en No Heat (Sin calor).

F ecoDry

Disponible para **BULKY** (Prendas Voluminosas), **TOWELS/Sheets** (Toallas/Sábanas), **NORMAL/Cottons** (Normal/Algodones), **MIXED LOAD** (Cargas Combinadas), **JEANS** (Vaqueros) y **DELICATES** (Prendas Delicadas). Cuando se presiona la tecla **ecoDry**, las configuraciones del ciclo cambian a fin de reducir el consumo de energía total del ciclo del sensor seleccionado. **NOTA:** Los tiempos del ciclo cambiarán cuando se seleccione **ecoDry**. La opción **ecoDry** hará que se active la función **NORMAL/Cottons** (Normal/Algodones) por omisión. Para un ahorro de energía óptimo, active **ecoDry**. Para obtener tiempos de secado óptimos, apague **ecoDry**. **NOTA:** Los ahorros de energía variarán de acuerdo a las cargas y ciclos.

Como usar la secadora

G Configuraciones

Configuraciones individuales para el ciclo secado por tiempo (**Time**), el nivel de secado (**Level**) y temperatura (**Temp**) se pueden configurar desde el mínimo (inferior en la columna) al máximo (superior en la columna). En general, cuanto más arriba en la columna, más energía se usará.

Dryness Level (Nivel de Secado)	Descripción	La luz en encendida en la parte inferior indica la configuración:
MAX Dry (Secado)	Se usa con telas pesadas.	5
More Dry (Más seco)	Usada para telas de tipo combinado.	4
Dry (Seco)	Se usa en el nivel de secado normal, adecuado para la mayoría de las cargas. Éste es el ciclo preferido para ahorrar energía.	3
Less Dry (Menos Seco)	Se usa con telas más livianas.	2
Damp (Húmedo)	Para dejar las prendas parcialmente húmedas.	1
Temperature (Temperatura)	Descripción	La luz en encendida en la parte inferior indica la configuración:
Hot (Caliente)	Para algodones de regular a pesados.	5
Medium (Media)	Para ropas sintéticas, combinadas, delicadas y prendas con etiqueta de planchado permanente.	4
Low (Baja)	Para prendas delicadas, sintéticas y con etiqueta para secado en la secadora a nivel bajo.	3
Extra Low (Extra Baja)	Para prendas delicadas, sintéticas y con etiquetas de cuidado extra o secado suave.	2
No Heat (Sin calor)	Para esponjar prendas sin usar aire caliente. Para uso únicamente en el ciclo TIMED DRY (Secado por tiempo).	1

H Wrinkle Care (Prevención de arrugas)

Use esta opción para minimizar las arrugas en la ropa. Brinda 1 hora de giro sin calor una vez que la ropa está seca. Si la opción **Sound** (Sonido) se encuentra activada y seleccionó la opción **Wrinkle Care** (Prevención de arrugas), sonará una señal al final del tiempo de secado y varias veces durante el ciclo **Wrinkle Care** (Prevención de arrugas). Esto le recordará que es hora de retirar la ropa.

Sound (Sonido)

Mantenga presionado el botón **Wrinkle Care** (Prevención de Arrugas) durante 3 segundos para alternar la opción **Sound** (Sonido) entre activado y desactivado. “**Sound on**” (Sonido Activado) aparecerá en la pantalla y sonará un tono cuando se active. “**Sound off**” (Sonido Desactivado) aparecerá en la pantalla y no sonará ningún tono cuando se desactive

I Damp Alert (Alerta de humedad)

Esta opción hace que la secadora emita un pitido cuando la ropa se secó hasta un nivel de humedad. Retire las prendas que desea colgar para que se sequen. **Damp Alert** (Alerta de humedad) sólo sonará cuando esta opción sea seleccionada (pero el ciclo de secado continuará en funcionamiento). Retirar la ropa y colgarla cuando está húmeda puede reducir la necesidad de planchar algunas prendas. La luz junto a la tecla se encenderá cuando la función **Damp Alert** (Alerta de humedad) esté activada.

Drum Light (Luz del tambor)

La luz del tambor se encenderá si se pulsa el botón **Damp Alert** (Alerta de humedad) durante 3 segundos o se abre la puerta. Se apagará cuando la puerta está cerrada, el botón **Damp Alert** (Alerta de humedad) está presionado por 3 segundos o después de 5 minutos si se deja la puerta abierta.

- Retire pronto las prendas al escuchar la señal auditiva. Cuelgue a la ropa en ganchos para evitar que se fijen las arrugas.
- Use la función **Damp Alert** (Alerta de humedad) especialmente al secar telas tales como poliéster, tejidos y planchado permanente. Estas telas se deben retirar pronto para que las arrugas no se asienten.

J My Cycle (Mi Ciclo)

A medida que la perilla del selector de ciclo es girada, las configuraciones de **Tiempo** (secado por tiempo), **Nivel** (nivel de Secado) y **Temp** (temperatura) cambian a configuraciones automáticas preconfiguradas por omisión. Si desea una configuración diferente, presione la(s) tecla(s) apropiada(s). Luego mantenga presionada la tecla **My Cycle** (Mi Ciclo) durante 3 segundos y la secadora “recordará” estas configuraciones para esa Selección de Perilla. En el futuro, al girar la perilla del selector a ese ciclo, sus configuraciones serán reactivadas de forma automática. **NOTA:** El sonido de la señal no se puede configurar para **My Cycle** (Mi Ciclo).

K Washer Link (Enlace de la Lavadora)

Esta función enlaza de forma inalámbrica la lavadora con la secadora y usa la información de conexión para ajustar de manera automática las configuraciones de su secadora para sus ropas recién lavadas. Si la secadora cuenta con una conexión WiFi válida, y se selecciona la opción **Washer Link** (Enlace de la Lavadora), ya sea a través del botón o de la Aplicación, la luz que se encuentra sobre el botón se iluminará. Si la opción no es seleccionada, entonces la luz se apagará. Si la secadora no cuenta con una conexión WiFi válida, y esta opción es seleccionada, ya sea a través del botón o de la Aplicación, la luz WiFi y la luz de **Washer Link** (Enlace de la Lavadora) parpadearán y se emitirá un tono de error.

Carga

Siempre siga las instrucciones del fabricante de la ropa cuando lave.

Consejos de clasificación y carga

⚠ ADVERTENCIA - Riesgo de incendio

- Mantenga cualquier material y vapores inflamables, tales como gasolina, alejados de la secadora.
- **NO** seque nada que alguna vez haya tenido algo inflamable en éste (incluso luego de lavar).
- Ninguna lavadora puede eliminar el aceite por completo.
- **NO** seque nada que alguna vez haya tenido algún tipo de aceite (incluyendo aceites de cocina).
- Las prendas con gomaespuma, goma, o plástico deberán ser secadas en un tendedero.
- Si no se cumple con esto, se podrá producir muerte, explosión o incendio.

Como regla general, si las prendas están bien clasificadas para la lavadora, estarán bien clasificadas para la secadora. También trate de clasificar las prendas de acuerdo al tamaño. Por ejemplo, no seque una sábana con calcetines u otros artículos pequeños.

No agregue suavizante de telas una vez que la carga se ha calentado. Esto puede provocar manchas de suavizante. El acondicionador de telas Bounce® en hojas para secadoras ha sido aprobado para su uso en esta secadora cuando se utiliza de acuerdo con las instrucciones del fabricante.

No la sobrecargue. Eso malgasta energía y provoca arrugas.

La rejilla de secado (en algunos modelos)

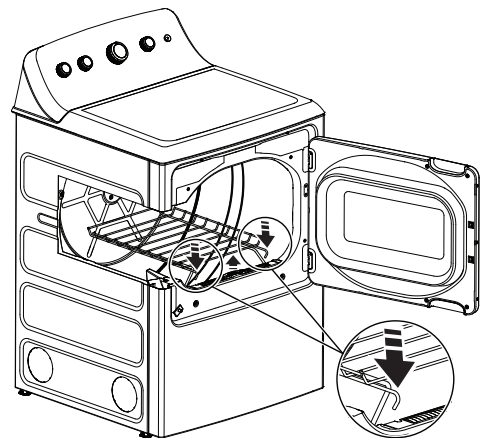
La rejilla de secado se puede usar para secar artículos delicados tales como suéteres lavables.

Para instalar la rejilla de secado:

- 1 Levante el filtro de pelusa ligeramente. (No quite el filtro de pelusa por completo.)
- 2 Coloque la rejilla de secado en la secadora, baje las patas delanteras y engánchelas en las ranuras.
- 3 Presione la rejilla de secado hacia abajo y baje el filtro de pelusa nuevamente en su posición.

NOTAS:

- La rejilla de secado debe utilizarse con el ciclo **TIMED DRY** (Secado por tiempo). El uso con ciclos por sensor pueden dejar las prendas húmedas o generar ciclos prolongados.
- No utilice esta rejilla de secado cuando haya otras prendas en la secadora.
- Si su modelo no viene con una rejilla de secado, solicítela en línea en el sitio web **GEApplianceparts.com**, las 24 horas del día o por teléfono al **877.959.8688** durante el horario comercial normal.



Levante el filtro y enganche las patas delanteras de la rejilla en las ranuras

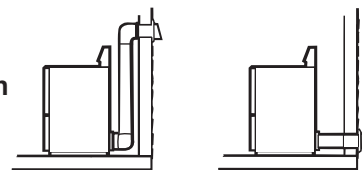
Ventilación

Ventilación de la Secadora

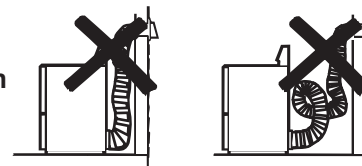
Para un mejor funcionamiento del secado, es necesario que la secadora sea ventilada de forma apropiada. La secadora usará más energía y funcionará durante más tiempo si no está ventilada de acuerdo con las especificaciones siguientes. Siga cuidadosamente los detalles sobre el ducto de escape en las Instrucciones de Instalación.

- Utilice únicamente ducto de metal rígido de 4" de diámetro en el interior del gabinete de la secadora. Utilice únicamente ducto de metal rígido o ducto flexible de metal de 4" de diámetro con aprobación UL para ducto de ventilación hacia el exterior.
- No use ductos plásticos u otros ductos de materiales combustibles.
- Use la longitud más corta posible.
- No aplaste ni pliegue al ducto.
- Evite descansar el ducto sobre objetos filosos.
- **La ventilación debe cumplir con los códigos de construcción locales.**

Ventilación correcta



Ventilación incorrecta



⚠ ADVERTENCIA - Riesgo de incendio

Esta secadora **DEBE** tener una ventilación al exterior.

Use sólo un conducto de metal rígido de 4" para la ventilación de salida doméstico.

Use sólo un conducto de transición de la secadora de metal rígido de 4" o de la lista de UL para conectar la secadora a la salida del hogar.

NO use una ventilación del plástico.

NO use la salida de una chimenea, la salida de la cocina, ventilación de gas, pared, cielo raso, ático, espacio de rastreo, o espacio escondido de una edificación.

NO instale una pantalla en o sobre el conducto de salida.

NO instale un ventilador de refuerzo en el ducto de ventilación.

NO use un conducto más largo que aquél especificado en la tabla de longitud de salida.

Si no se siguen estas instrucciones se podrá producir la muerte o un incendio.

Vent Health (Funcionamiento de la Ventilación)

Es una prueba de diagnóstico para verificar el estado del sistema de ventilación. **NOTA:** Para correr la prueba, la temperatura ambiente debe estar por debajo de 85°F (si la temperatura es superior a 85°F la prueba no será válida y la pantalla principal mostrará "00").

Para ingresar al modo de prueba Vent Health (Funcionamiento de la Ventilación):

- 1** Asegúrese de que el tambor esté vacío.
- 2** Asegúrese de que el filtro atrapa pelusa esté limpio.
- 3** Mantenga presionados los botones **Time** (Tiempo) y **Level** (Nivel) durante 3 segundos.
- 4** Cierre la puerta y presione el botón de **Start** (Inicio)

Después de ejecutar la prueba, la pantalla mostrará un número. Use la siguiente tabla para entender el resultado y la acción necesaria.

Pantalla Principal	Visor LED	Resultado	Acción*
01	OFF (APAGADO)	Limpio/ Normal	El ducto de ventilación de su casa está en buenas condiciones y no se requiere ninguna acción.
02	OFF (APAGADO)	Requiere atención	La condición del ducto de ventilación de su casa puede afectar el desempeño de su secadora. Verifique y limpie, o realice los ajustes necesarios para mejorar la condición del ducto de ventilación.
03	Vent Blocked	Obstruido	El ducto de ventilación de su casa está muy obstruida y está afectando el desempeño de su secadora. Limpie y/o realice los ajustes necesarios para mejorar la condición del ducto de ventilación.

*Vea también **Interior y Conducto** en la sección **Cuidado y limpieza**.

Cuidado y limpieza

Interior y Conducto

Un técnico calificado debe limpiar la parte interna del aparato y del conducto de salida una vez por año.

El ducto de escape: Inspeccione y limpie el ducto de escape por lo menos una vez al año para evitar las obstrucciones. Un escape parcialmente taponado puede prolongar el tiempo de secado.

Siga estos pasos:

- 1 Apague el suministro eléctrico desconectando el enchufe de la pared.
- 2 Desconecte el conducto de la secadora.
- 3 Utilice una aspiradora con el accesorio de manguera para limpiar al ducto y una vez limpio, vuelva a conectarlo.

El remate del ducto de escape: Verifique, utilizando un espejo, que las aletas interiores de la salida del remate se muevan libremente durante la operación. Asegúrese de que ningún animal (pájaros, insectos, etc.) haya hecho su nido en el interior del ducto o en el remate del ducto de escape.

Exterior

Pásele un trapo y elimine el polvo o cualquier derrame de productos de lavandería con un trapo húmedo. Los productos de tratamiento para quitar mugre y manchas pueden dañar el panel de control de la secadora y afectar su apariencia. Aplique estos productos a cierta distancia de la secadora. Luego las telas podrán lavarse y secarse normalmente. Los daños causados a la secadora por estos productos no están cubiertos bajo su garantía.

El filtro de pelusa

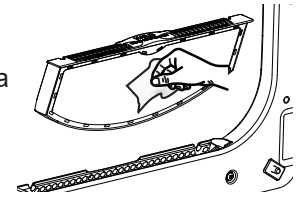
Limpie el filtro de pelusa antes de cada uso.

Retire el mismo presionando hacia arriba. Pase los dedos por el filtro. Es posible que se forme una acumulación de cera en el filtro de pelusas debido al uso de suavizantes de tela agregados a la secadora.

Para eliminar dicha acumulación, lave la rejilla para atrapar pelusas con agua tibia y jabón. Seque totalmente y realice el reemplazo.

Si observa un cambio en el funcionamiento de la secadora, aspire la pelusa del área del filtro de pelusas de la secadora.

NUNCA OPERE LA SECADORA SIN EL FILTRO EN SU LUGAR.



Acero inoxidable

Para limpiar superficies de acero inoxidable, utilice un paño húmedo con un limpiador suave y no abrasivo adecuado para superficies de acero inoxidable. Quite los restos de limpiador y luego seque con un paño limpio.

El acero inoxidable utilizado para fabricar el tambor de la secadora ofrece la mayor confiabilidad de una secadora GE Appliances. Si el tambor de la secadora se raya o abolla durante un uso normal, éste no se oxidará o corroerá. Estas imperfecciones de la superficie no afectan la función o durabilidad del tambor.

Drum Light (Luz del Tambor)

La luz del tambor es una luz LED. Su reemplazo debe ser realizado por un técnico calificado.

Consejos para la solución de problemas

Problema	Causas posibles	Solución
La secadora se mueve o hace ruido	El movimiento/ruido es normal. La secadora puede estar colocada en un lugar desnivelado	Desplace la secadora a un lugar nivelado, o ajuste las patas niveladoras según sea necesario.
Las prendas tardan mucho en secarse	Conducto inadecuado u obstruido	Revise las Instrucciones de instalación para verificar que la ventilación de la secadora sea la correcta. Verifique que el conducto se encuentre limpio, libre de abolladuras y sin obstrucciones. Verifique que la compuerta del remate del ducto de escape se mueva libremente.
	Clasificación inadecuada	Separe prendas pesadas de livianas (generalmente, una carga bien clasificada para la lavadora es una carga bien clasificada para la secadora).
	Cargas grandes de telas pesadas (como toallas de playa)	Las telas grandes y pesadas contienen más humedad (como toallas de playa) y toman más tiempo para secar. Separe las telas grandes y pesadas en cargas de menor tamaño para agilizar el tiempo de secado.
	Incorrecta selección de los controles	Haga coincidir los ajustes de control con la carga que está secando.
	El filtro de pelusas está lleno	Limpie el filtro de pelusas antes de cada carga.
	Fusibles quemados/disyuntor desconectado	Reemplace los fusibles o reconecte los disyuntores. NOTA: Ya que algunos modelos de secadoras eléctricas utilizan 2 fusibles/ disyuntores, asegúrese de que ambos funcionen.
	Carga excesiva/cargas combinadas	No coloque más de una carga en la secadora por vez.
	Poca carga	Si va secar sólo una o dos prendas, agregue algunas más para asegurar un secado correcto.
	ecoDry está activado	La función ecoDry está diseñada para operar su secadora en el modo lo más eficiente en energía, que no es siempre el modo lo más rápido. En algunos casos, los tiempos de secado pueden ser extendidos para reducir el consumo total de energía del ciclo.
Se ha seleccionado el nivel de secado Dry (Seco) pero la carga aún se encuentra húmeda	La carga consiste de una combinación de telas pesadas y livianas	Cuando combine telas pesadas con livianas en una carga, escoja Max Dry (Secado Máx.).
	El sistema de escape está tapado	Inspeccione y limpie el sistema de escape.
La secadora no se enciende	El panel de control está "dormido"	Esto es normal. Presione Power (encendido) para activar el panel de control.
	La secadora está desenchufada	Verifique que el enchufe de la secadora esté bien colocado en el tomacorriente.
	Fusible quemado/disyuntor desconectado	Verifique la caja de fusibles/disyuntor del edificio y cambie el fusible o reconfigure el disyuntor. NOTA: Ya que algunos modelos de secadoras eléctricas utilizan 2 fusibles/disyuntores, asegúrese de que ambos funcionen.
No aparecen números en la pantalla durante el ciclo, sólo luces	La secadora se puso en pausa accidentalmente cuando se iniciaba Delay Dry (Secado retardado)	Si la luz del botón Start/Pause (Inicio/Pausa) destella, la secadora se encuentra en pausa. Presione Start/Pause (Inicio/Pausa) para volver a iniciar la cuenta regresiva.
	La secadora monitorea constantemente la cantidad de humedad en la ropa	Esto es normal. Cuando la secadora detecta un nivel bajo de humedad en la carga, la secadora mostrará el tiempo restante de secado.
El tiempo restante ha saltado a un número inferior	El tiempo estimado podría cambiar si seca una carga menor a la normal	Esto es normal.
No puede realizar una selección y la secadora activa la alarma sonora dos veces	El Level (nivel de secado), Temp (temperatura) o la opción que intenta seleccionar es incompatible con el ciclo de secado que ha escogido.	Esto es normal.
La secadora se encuentra funcionando, pero el tiempo restante muestra 00	Se ha escogido la opción Wrinkle Care (Prevención de arrugas)	Esto es normal. Durante el secado prolongado, no se muestra el tiempo restante. La opción de secado prolongado tarda 60 minutos aproximadamente.
La luz "Vent Blocked" está encendida	El filtro de pelusas está lleno	Limpie el filtro de pelusas, Seque una carga en un ciclo automático y verifique que la luz se apague.
	Conducto inadecuado u obstruido	Lea las Instrucciones de instalación para verificar que la ventilación de la secadora sea la correcta. Verifique que el conducto se encuentre limpio, libre de abolladuras y sin obstrucciones. Controle que el regulador de tiro externo de pared funcione bien. Seque una carga en un ciclo automático y verifique que la luz se apague.
	El sistema de escape está tapado	Inspeccione y limpie el sistema de escape. Seque una carga en un ciclo automático y verifique que la luz se apague.

Consejos para la solución de problemas

Problema	Causas posibles	Solución
La secadora no calienta	Fusible quemado/disyuntor desconectado; es posible que la secadora gire sin calentar	Revise la caja de fusibles/disyuntores y reemplace ambos fusibles y reconecte ambos disyuntores. Es posible que la secadora gire si únicamente un fusible se ha quemado o un solo disyuntor ha saltado. NOTA: Ya que algunos modelos de secadoras eléctricas utilizan 2 fusibles/disyuntores, asegúrese de que ambos funcionen.
	Se ha cortado el suministro de gas (modelos a gas solamente)	Asegúrese que la válvula de cierre en la secadora y la válvula maestra estén completamente abiertas.
	El tanque de suministro de gas LP está vacío o se ha producido una interrupción en el servicio de gas natural (en los modelos a gas solamente)	Rellene o reemplace el tanque. La secadora se deberá calentar cuando se reestablezca el servicio de gas.
	No se ha seleccionado la temperatura	Seleccione otro nivel de calor.
Tiempos de secado inconsistentes	Tipo de calor	El tiempo de secado varía según el tipo de calor utilizado. Si recientemente cambió de una secadora eléctrica a una de gas (natural o LP), o viceversa, el tiempo de secado puede ser diferente.
	Tipo de carga y condiciones de secado	El tamaño de la carga, tipos de telas, humedad de la ropa y longitud y condición del sistema de escape afecta los tiempos de secado.
Las prendas aún se encuentran húmedas y la secadora se apaga después de un tiempo corto	Se abrió la puerta a la mitad del ciclo. Luego se procedió a retirar la carga de la secadora y se colocó una carga nueva sin seleccionar un ciclo nuevo	Se debe volver a seleccionar un ciclo de secado cada vez que se coloca una carga nueva.
	Carga pequeña	Cuando seque 3 o menos prendas, escoja QUICK DRY (Secado rápido) o TIMED DRY (Secado por tiempo).
	La carga ya se encontraba seca a excepción de los cuellos y pretinas	Escoja QUICK DRY (Secado rápido) o TIMED DRY (Secado por tiempo) para secar los cuellos y pretinas que estén húmedos. La próxima vez, al secar una carga que contenga cuellos y pretinas, escoja More Dry (Más seco).
	La secadora no está nivelada	Mueva la secadora a un área con piso nivelado o ajuste las patas niveladoras como sea necesario hasta que se encuentre nivelada.
Las prendas están arrugadas	Sobresecado	Seleccione un tiempo de secado más breve. Retire las prendas mientras están húmedas. Programe el ajuste a Less Dry (Menos seco) o Damp (Secado húmedo).
	Las prendas permanecen en la secadora después que ha terminado el ciclo	Retire las prendas cuando finalice el ciclo y dóblelas o cuélguelas inmediatamente, o use la opción Wrinkle Care (Prevención de arrugas).
	Sobrecarga	Separe las cargas más grandes en más pequeñas.
Las prendas se encogen	Algunas telas se encogen de manera natural cuando se lavan. Otras pueden lavarse sin problemas, pero se encogerán en la secadora	Para evitar encoger las prendas, siga las instrucciones de las etiquetas exactamente. Algunas prendas pueden plancharse nuevamente a su forma original después de secarlas. Si le preocupa el encogimiento de una determinada prenda, no la lave a máquina ni la seque en secadora.
Manchas de grasa en la ropa	Uso inapropiado de suavizador de telas	Siga las direcciones en el envase del suavizador de telas.
	Secado de artículos sucios con limpios	Utilice su secadora para secar únicamente artículos limpios. Los artículos sucios pueden manchar los artículos limpios y la secadora.
	Las prendas no están completamente limpias	Algunas manchas que no se pueden ver cuando las prendas están mojadas aparecen después del secado. Utilice procedimientos apropiados de lavado antes del secado.
Pelusa en las prendas	El filtro de pelusa está lleno	Limpie el filtro antes de cada carga.
	Clasificación incorrecta	Separe las prendas que producen pelusa (como la felpilla) de las prendas que atraen pelusa (como la pana).
	La electricidad estática puede atraer pelusa	Consulte las sugerencias en esta sección bajo Ocurre estática
	Sobrecarga	Separe las cargas más grandes en menor tamaño.
	Papel, servilletas, etc., quedan dentro de los bolsillos de la ropa	Vacíe todos los bolsillos antes de lavar la ropa.

Consejos para la solución de problemas

Problema	Causas posibles	Solución
Ocurre estática	No se utilizó ningún tipo de suavizador de telas	Intente utilizar un suavizador de telas. Bounce® Fabric Conditioner Dryer Sheets ha sido aprobado para ser usado con todas las Secadoras GE Appliances y cuando se usen de acuerdo con las instrucciones del fabricante.
	Sobresecado	Intente utilizar un suavizador de telas. Programa el ajuste a Damp (Secado húmedo).
	Artículos sintéticos, planchado permanente y combinaciones pueden causar estática	Intente utilizar un suavizador de telas.
Los cuellos y pretinas aún se encuentran húmedos al final del ciclo	El monitor de sequedad detecta que el cuerpo de las prendas está seco	Escoja QUICK DRY (Secado rápido) o TIMED DRY (Secado por tiempo) para secar dejando húmedos los cuellos y pretinas. La próxima vez, cuando seque una carga con cuellos y pretinas, escoja Max Dry (Secado Máx.).
Pequeña variación del color metálico.	Esto es normal.	Debido a las propiedades metálicas de la pintura utilizada con este producto único, pueden ocurrir pequeñas variaciones de color debido ángulos de visualización y condiciones de iluminación.
La secadora sigue girando después de que la pantalla indica Complete (finalización)	Se seleccionó Wrinkle Care (Prevención de arrugas)	Asegúrese de que la opción Wrinkle Care (Cuidado de Arrugas) no esté seleccionada.

Garantía limitada de la secadora GE Appliances

GARANTÍA LIMITADA

GEAppliances.com

Todo el servicio de garantía es provisto por nuestros Centros de Servicio de Fabricación, o un técnico autorizado de Servicio al Cliente (Customer Care®). Para programar una visita del servicio técnico, visítenos a través de Internet en **GEAppliances.com/service**, o llame GE Appliances al 800.GE.CARES (800.432.2737). Cuando llame para solicitar el servicio, tenga los números de serie y modelo disponibles.

Para realizar el servicio técnico de su electrodoméstico se puede requerir el uso del puerto de datos integrado para el diagnóstico. Esto da al técnico del Servicio de Fábrica de GE Appliances la habilidad de diagnosticar de forma rápida cualquier problema con su electrodoméstico, y de ayudar a GE Appliances a mejorar sus productos al brindarle a GE Appliances la información sobre su electrodoméstico. Si no desea que los datos de su electrodoméstico sean enviados a GE Appliances, solicitamos que le indique a su técnico NO entregar los datos a GE Appliances en el momento del servicio.

Por el Período de:	Se sustituirá:
Un Año Desde la fecha de compra original	Cualquier pieza de la secadora que falle debido a un defecto de los materiales o la mano de obra. Durante esta garantía limitada de un año , también ofrecemos, en forma gratuita , toda la mano de obra y los costos de servicio para reemplazar la pieza defectuosa.

GE Appliances no cubre:

- Viajes del personal de servicio a su casa para enseñarle cómo usar su producto.
- Instalación, entrega o mantenimiento inapropiada.
- Fallas del producto si es maltratado, mal usado, o usado para un propósito diferente del que se creó o si es usado para usos comerciales.
- Cambio de los fusibles de su casa o reajuste del circuito de interruptores.
- Productos que no estén defectuosos ni descompuestos, o que funcionen como se describe en el manual del propietario.
- Daños al producto causados por accidentes, incendios, inundaciones o actos de la naturaleza.
- Daño incidental o consecuente causado por posibles defectos con este electrodoméstico.
- Defectos o daños debido a la puesta en funcionamiento a temperaturas de congelación.
- Daños causados después del envío.
- Producto no accesible para darle el servicio requerido.

EXCLUSIÓN DE GARANTÍAS IMPLÍCITAS

Su único y exclusivo recurso es la reparación del producto según lo dispuesto en esta Garantía Limitada. Cualquier garantía implícita, incluidas las garantías implícitas de comerciabilidad o idoneidad para un propósito particular, se limitan a un año o al período más corto permitido por la ley.

Esta garantía limitada se extiende al comprador original y a cualquier propietario subsecuente para productos comprados para uso doméstico dentro Estados Unidos. Si el producto está situado en un área que no dispone de servicio por parte de un proveedor de servicio autorizado de GE Appliances, usted puede ser responsable de un cargo por viaje o se le puede solicitar que lleve el producto a un centro de servicio autorizado de GE Appliances para realizar la reparación. En Alaska, la garantía limitada excluye el costo de envío o las visitas de servicio a su casa.

Algunos estados no permiten la exclusión o limitación de daños incidentales o consecuentes. Esta garantía limitada le da sus derechos legales específicos, y es posible que usted tenga otros derechos legales que varían de estado a estado. Para informarse de cuáles son sus derechos legales, consulte a su oficina de asuntos del consumidor local o estatal o póngase en contacto con la oficina estatal de la Procuraduría del Consumidor.

Garante: GE Appliances, a Haier Company
Louisville, KY 40225

Garantías Extendidas: Adquiera una garantía extendida de GE Appliances y conozca los descuentos especiales que están disponibles mientras su garantía aún está vigente. Puede acceder a la misma a través de Internet en cualquier momento en

GEAppliances.com/extended-warranty

o llamando al 800.626.2224 durante el horario comercial. El servicio de GE Appliances seguirá estando disponible después de que expire la garantía.

Abroche su recibo aquí. Para acceder al servicio técnico de acuerdo con la garantía deberá contar con la prueba de la fecha original de compra.

Soporte para el Consumidor

Sitio Web de GE Appliances

¿Desea realizar una consulta o necesita ayuda con su electrodoméstico? ¡Intente a través del Sitio Web de GE Appliances las 24 horas del día, cualquier día del año! Usted también puede comprar más electrodomésticos maravillosos de GE Appliances y aprovechar todos nuestros servicios de soporte a través de Internet, diseñados para su conveniencia. GEAppliances.com.

Registre su Electrodoméstico

¡Registre su nuevo electrodoméstico en línea cuando lo desee! El registro oportuno del producto permitirá una mejor comunicación y un servicio rápido bajo los términos de su garantía, en caso de que surja la necesidad. También puede enviar por correo la tarjeta de registro preimpresa incluida en el empaque. GEAppliances.com/register.

Servicio Programado

El servicio de reparación de expertos de GE Appliances está a sólo un paso de su puerta. Conéctese a través de Internet y programe su servicio a su conveniencia cualquier día del año.

GEAppliances.com/service o comuníquese al 800.432.2737 durante el horario de atención comercial.

Garantías Extendidas

Adquiera una garantía extendida de GE Appliances y conozca los descuentos especiales que están disponibles mientras su garantía aún está vigente. La puede adquirir en cualquier momento a través de Internet. Los servicios de GE Appliances aún estarán allí cuando su garantía caduque.

GEAppliances.com/extended-warranty o comuníquese al 800.626.2224 durante el horario de atención comercial.

Conectividad Remota

Para solicitar asistencia para la conectividad de red inalámbrica (para modelos con acceso remoto), visite nuestro sitio web en GEAppliances.com/connect o comuníquese al 800.220.6899.

Piezas y Accesorios

Aquellos individuos calificados para realizar el servicio técnico de sus propios electrodomésticos podrán solicitar el envío de piezas o accesorios directamente a sus hogares (se aceptan las tarjetas VISA, MasterCard y Discover). Ordene hoy a través de Internet durante las 24 horas, todos los días. GEApplianceparts.com o de forma telefónica al 877.959.8688 durante el horario de atención comercial.

Las instrucciones contenidas en este manual cubren los procedimientos que debe realizar cualquier usuario. Otro tipo de servicio debe ser realizado por personal de servicio calificado. Se deberá tener cuidado, ya que una reparación indebida podrá hacer que el funcionamiento no sea seguro.

Contáctenos

Si no se encuentra satisfecho con el servicio que recibió de GE Appliances, comuníquese con nosotros a través de nuestro sitio Web con todos los detalles, incluyendo su número telefónico, o escriba a:

General Manager, Customer Relations | GE Appliances, Appliance Park | Louisville, KY 40225

GEAppliances.com/contact o comuníquese al 800.626.2000
