



5.0 cu. ft. Gas Range

AGR6603SF



Stainless Steel
AGR6603SFS

Also available in:

- White **AGR6603SFW**
- Black **AGR6603SFB**

Capacity	
Oven	5.0 cu. ft.
General Features & Properties	
Easy Touch Electronic Controls Plus	
Temp Assure™ Cooking System	
Extra-Large Oven Window	
Warm Hold	
EasyAccess™ Broiler Door	
Custom Broil	
Oven Lockout	
Self-Clean Option	
Sealed Burners	
Electrical Details	
Amps	15
Volts	120

Technical Details	
Fuel Type	Gas
Range Type	Freestanding Single Oven
Oven Cooking System	Thermal
Number of Oven Racks	2
Cleaning Type	Self-Cleaning
Number of Burners	4
Burner Type	Sealed Burners
Burner Power	(1) 12,500 BTU (2) 9500 BTU (1) 5000 BTU

Dimensions	
Product Dimensions (H x W x D)	46-7/8" x 29-7/8" x 27-7/8"
Depth with Door Open 90°	46-9/16"

Reference Material

- [Dimension Guide](#)
- [Install Guide](#)
- [Use & Care Guide](#)
- [Warranty](#)

Key Features & Benefits

Large Oven Capacity

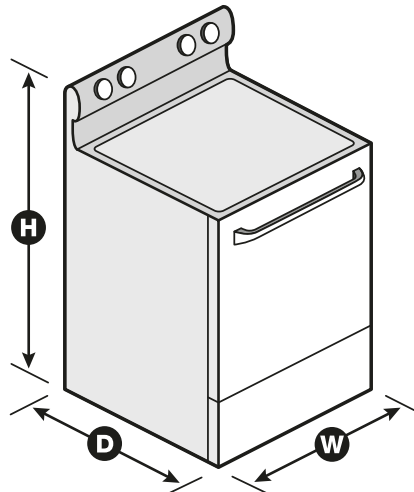
5.0 cu. ft. provides enough space to make dinner and dessert at the same time.

Versatile Cooktop

Multiple burner options provide up to 12,500 BTUs to help cook favorites all at once.

Bake Assist Temps

Preset temperature settings make cooking even more convenient.



NOTE: Dimensions are for planning purposes only. For complete details, see Installation Instructions packed with product. Specifications subject to change without notice.

®/™ © 2020. All rights reserved. Printed in the U.S.A. D200052XXB. AGR6603SFSPECSHEETV01.