

36" FRIDGE COLUMN

36" OVERLAY BUILT-IN FRIDGE COLUMN



CODE ID

F7IRC3601-R (RIGHT HINGE)

CODE ID

F7IRC3601-L (LEFT HINGE)



RIGHT HINGE



LEFT HINGE



Total No Frost



LED lighting



Integrated Installation



Holiday Mode



Sabbath Mode

Features

Our overlay column refrigerators are as beautiful as they are functional. Custom panels can be installed to provide a completely integrated look with adjacent cabinets and feature a brilliant white aluminum interior with brushed aluminum and stainless accents. Food preservation is the name of the game, by combining elegant design and commercial quality to ensure the highest performance preserving the organoleptic qualities of your precious ingredients. A dedicated compressor and evaporator provide consistent and precise temperatures throughout.

SPECIFICATIONS

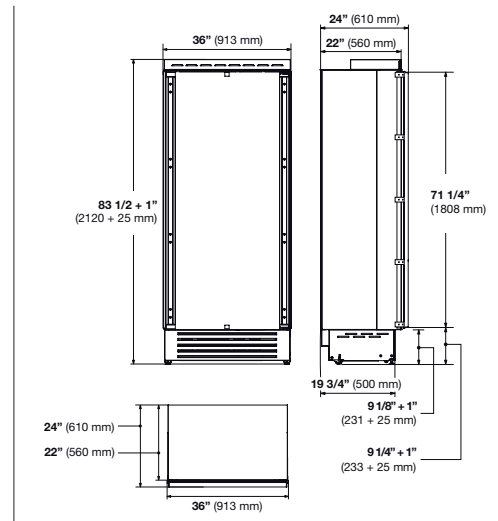
Panel Ready Exterior
Microbeaded stainless steel crisper drawers with soft closing
Height adjustable glass shelves
Luminous white interior
Multilevel LED lighting

OPTIONAL ACCESSORIES

REFHANDPROCOL
Sofia Professional Handle Kit
REFHANDISCOL
Distinto Handle Kit

REFRIGERATION

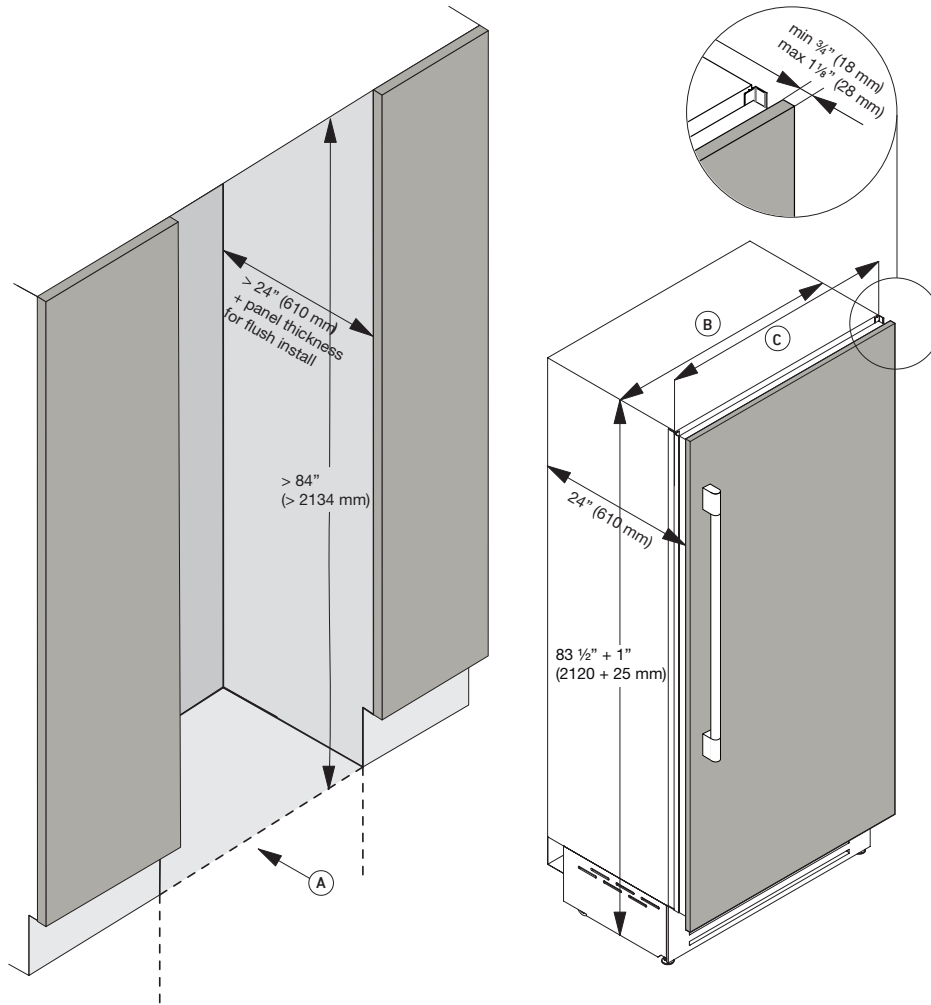
BUILT-IN FRIDGE COLUMN



CODE ID		36" OVERLAY BUILT-IN FRIDGE F7IRC36O1-L (LEFT HINGE) F7IRC36O1-R (RIGHT HINGE)	
Finish	Panel Ready Exterior		
PERFORMANCES/CAPACITY			
Annual Energy Usage	355 kWh/yr		
Interior capacity (cbft)	21.54		
FEATURES			
Shelves	3		
Adjustable Door Bins	3		
Crisper Drawers	3		
LED lighting	•		
No Frost	•		
DIMENSIONS/WEIGHT			
Width in	36"	913 mm	
Height in	83 - 1/2"	2120 mm	
Depth without handle in	24"	610 mm	
Minimum niche height in	84 - 1/2"	2145 mm	
Door clearance in	58 - 5/8"	1489 mm	
Door opening angle	100°		
Net Weight	370 lbs	168 kg	
POWER / RATINGS (115 V, 60 HZ)			
Watts / Amps	218W - 2A		
Power Cable	Nema 5-15P		
INSTRUCTIONS FOR USE			
Use & Care Manual / Installation Manual	English / French / Spanish		

BUILT-IN FRIDGE 36"

NICHE SPECIFICATIONS AND DIMENSIONS



TECHNICAL DATA

(A) Niche Width	36" (914 mm)
(B) Unit Width	34 7/8" (887 mm)
(C) Unit Width with lateral frames	36" (913 mm)

ELECTRICAL AND WATER CONNECTIONS

