

*ASSEMBLY INSTRUCTIONS
COASTER FINE FURNITURE*



Fine Furniture for every stage of life

**422755T
TWIN BED**

ITEM: 422755T



ASSEMBLY INSTRUCTIONS

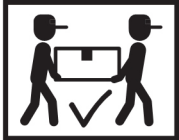
ASSEMBLY TIPS:

1. Remove hardware from box and sort by size.
2. Please check to see that all hardware and parts are present prior to start of assembly.
3. Please follow attached instructions in the same sequence as numbered to assure fast & easy assembly.



WARNING!



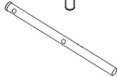
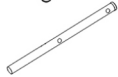
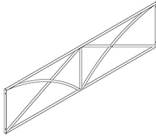
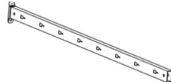
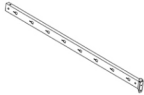
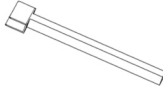





1. Don't attempt to repair or modify parts that are broken or defective. Please contact the store immediately.
2. This product is for home use only and not intended for commercial establishments.



ASSEMBLY TIME






60 MINUTES

PARTS IDENTIFICATION

A1 SF HEADBOARD LEG		1PC	B1 RSF HEADBOARD LEG		1PC
C1 SF FOOTBOARD LEG		1PC	D1 RSF FOOTBOARD LEG		1PC
E1 HEADBOARD		2PCS	F1 RAIL 1		2PCS
G1 RAIL 2		2PCS	H1 SUPPORT LEG		2PCS
I1 CENTER SUPPORT BAR		1PC	J1 SLAT		16PCS
K1 SLAT CONNECTOR		32PCS	L1 FINIAL		4PCS
M1 RAIL METAL JOINT		2PCS			

HARDWARE IDENTIFICATION

Z - HARDWARE

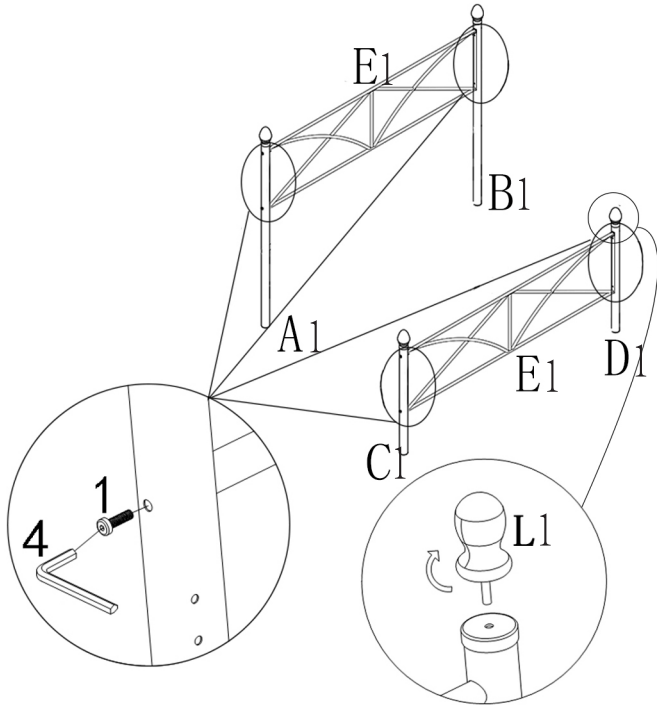
1 BOLT(Ø 1/4"x13MM)		24PCS	4 ALLEN WRENCH(1/4")		1PC
2 BOLT(Ø 1/4"x36MM)		4PCS	5 OPEN WRENCH(1/4")		1PC
3 BOLT(Ø 1/4")		4PCS			

ITEM: 422755T

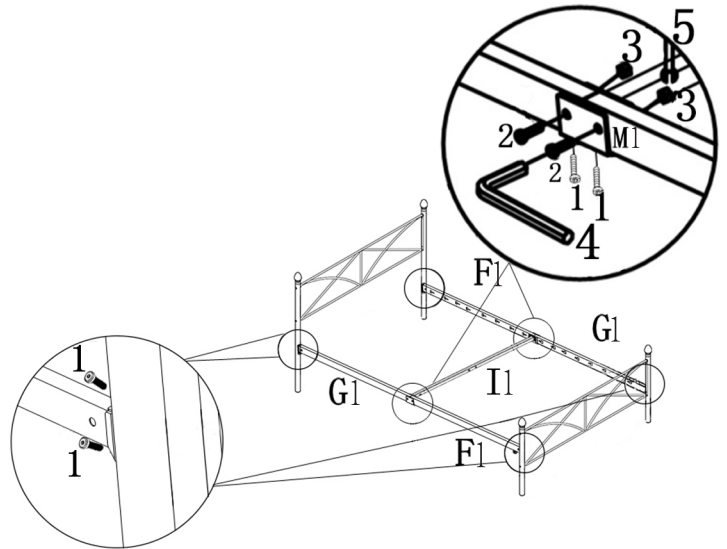
ASSEMBLY INSTRUCTIONS



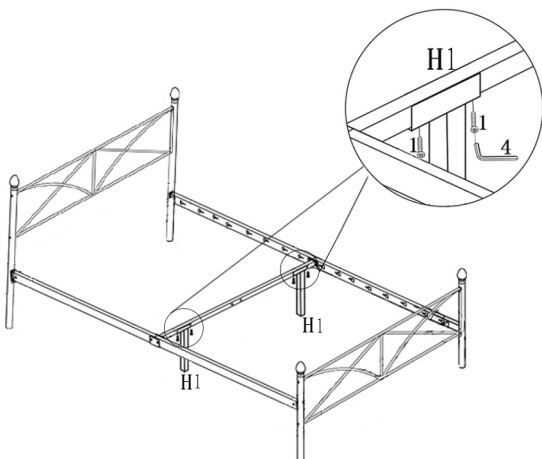
STEP 1



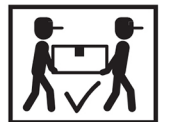
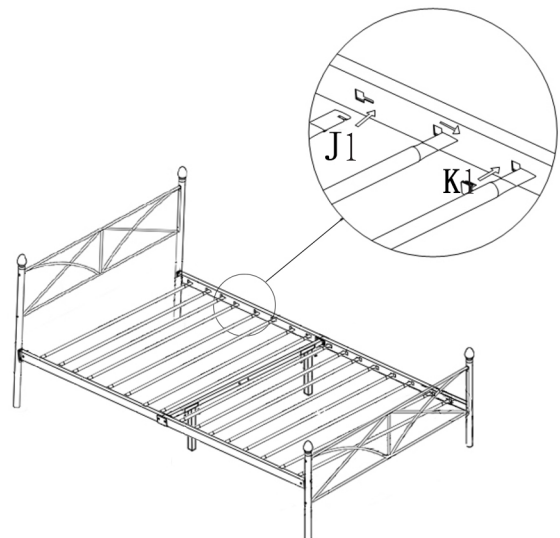
STEP 2



STEP 3

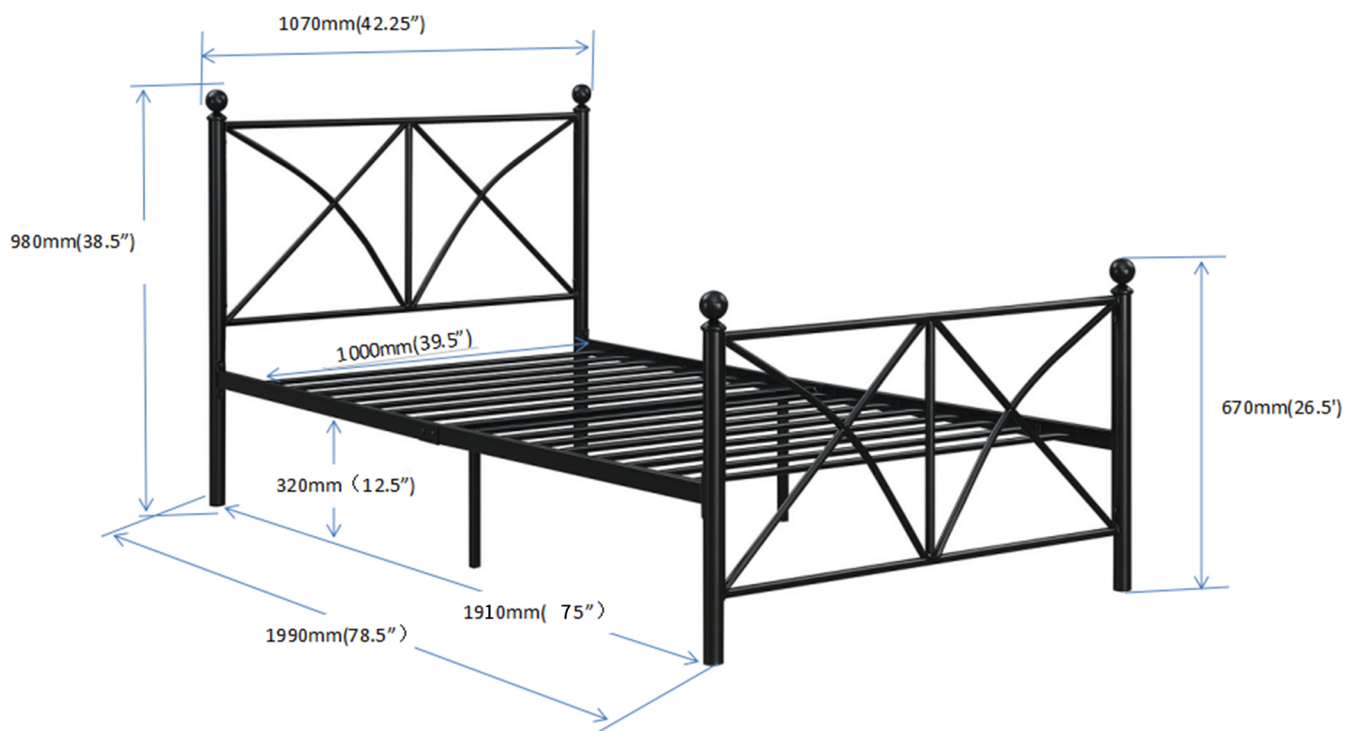


STEP 4



ITEM: 422755T

ASSEMBLY INSTRUCTIONS



Note : Dimension tolerance $\pm 5\%$