



## ASSEMBLY INSTRUCTIONS COASTER FINE FURNITURE



*Fine Furniture for every stage of life*

**800019**  
**OFFICE CHAIR**

REVISION 0:12/19/2018  
REVISION 1:06/05/2019  
REVISION 2:11/03/2019  
REVISION 3:01/06/2020  
REVISION 4:07/18/2022

PAGE 1 OF 4

COASTERFURNITURE.COM

ITEM :800019



# ASSEMBLY INSTRUCTIONS

## ASSEMBLY TIPS:

- 1.Remove hardware from box and sort by size.
- 2.Please check to see that all hardware and parts are present prior to start of assembly.
- 3.Please follow attached instructions in the same sequence as numbered to assure fast & easy assembly.



### WARNING !

- 1.Don't attempt to repair or modify parts that are broken or defective. Please contact the store immediately.
- 2.This product is for home uses only and not intended for commercial establishments.



ASSEMBLY TIME 20 MINUTES

## PARTS IDENTIFICATION

A		BACK	1PC
B		SEAT	1PC
C		LEFT ARM	1PC
D		RIGHT ARM	1PC
E		MECHANISM	1PC
F		GAS LIFT	1PC
G		GAS LIFT COVER	1PC
H		BASE	1PC
I		BACK SUPPORT	1PC
J		BACK COVER	1PC
K		CASTER	5PCS

## HARDWARE IDENTIFICATION

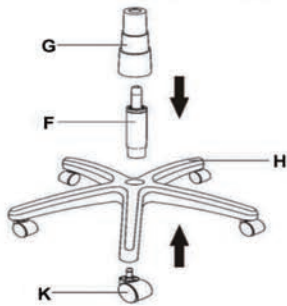
1	SHORT SCREW	 M6*20mm	8PCS
2	LONGE SCREW	 M6*25mm	6PCS
3	ALLEN KEY	 M6	1PC
4	WASHER		10PCS

ITEM:800019

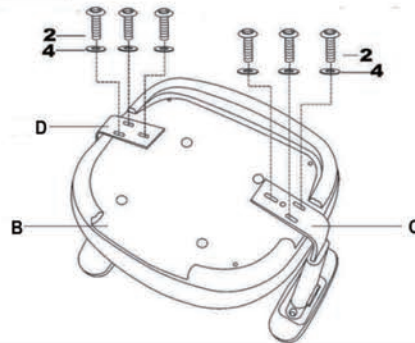


# ASSEMBLY INSTRUCTIONS

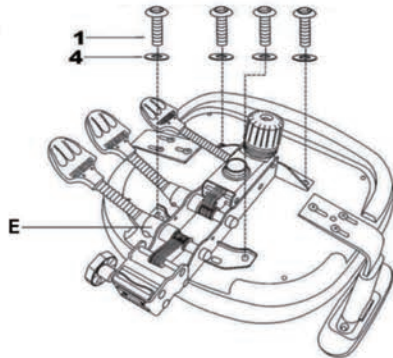
## STEP1



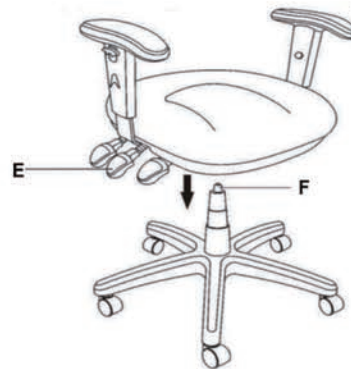
## STEP2



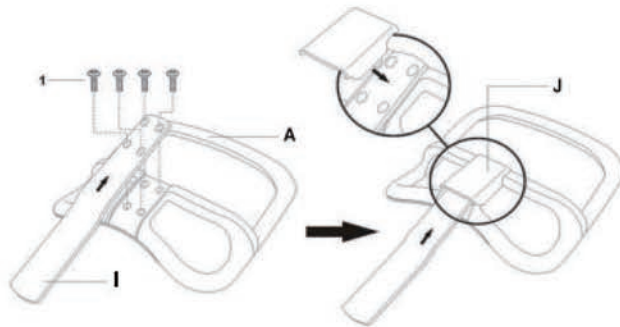
## STEP3



## STEP4



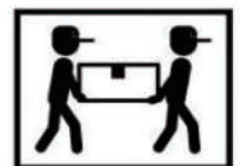
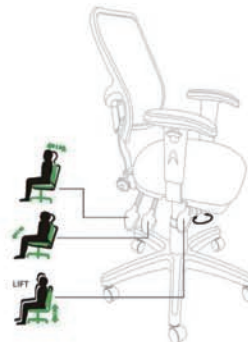
## STEP5



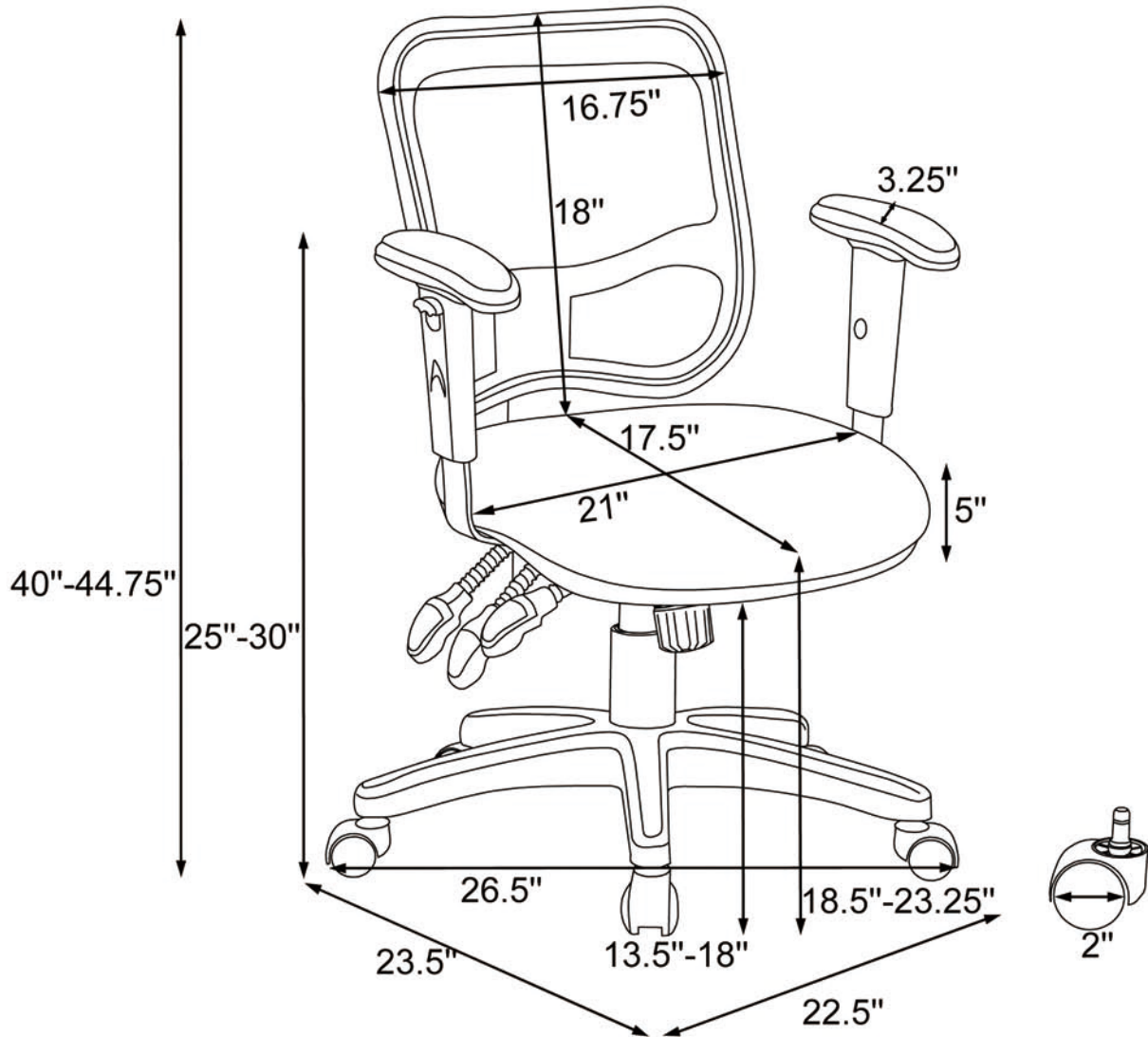
## STEP6



## STEP7



ITEM: 800019



Note : Dimension tolerance  $\pm 5\%$