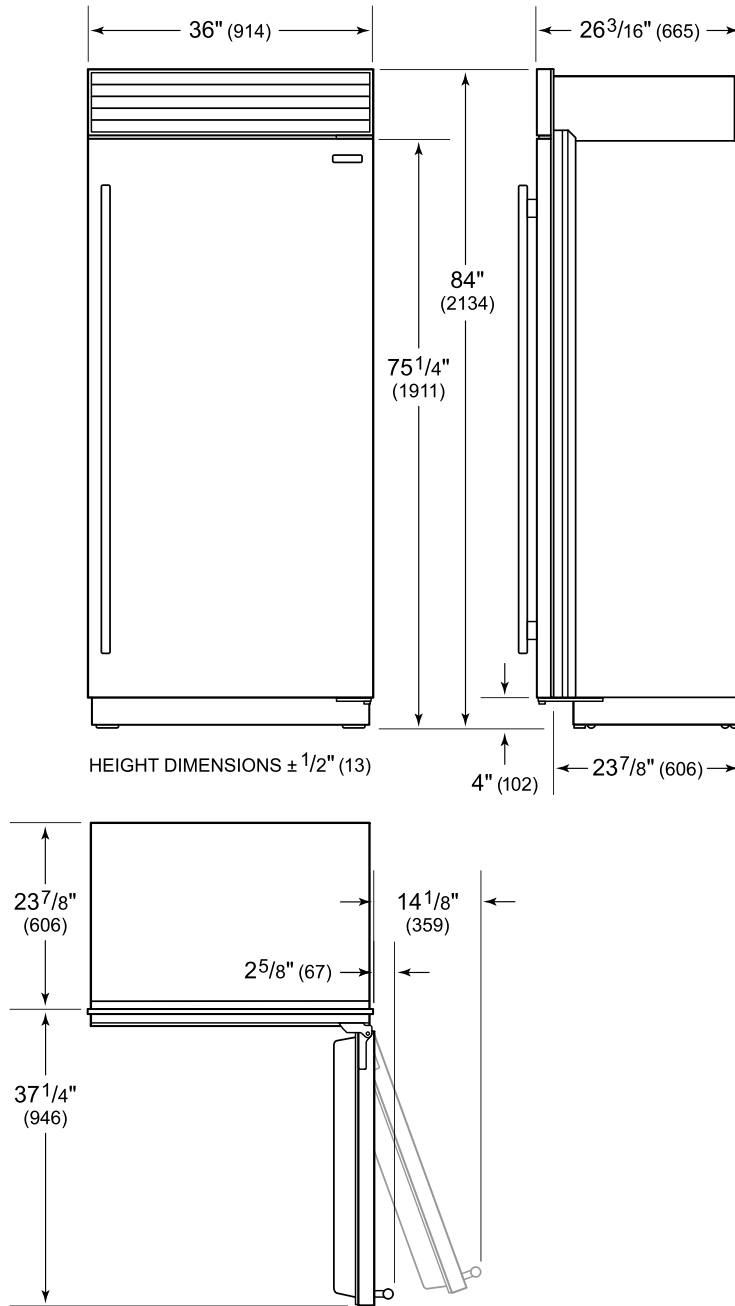
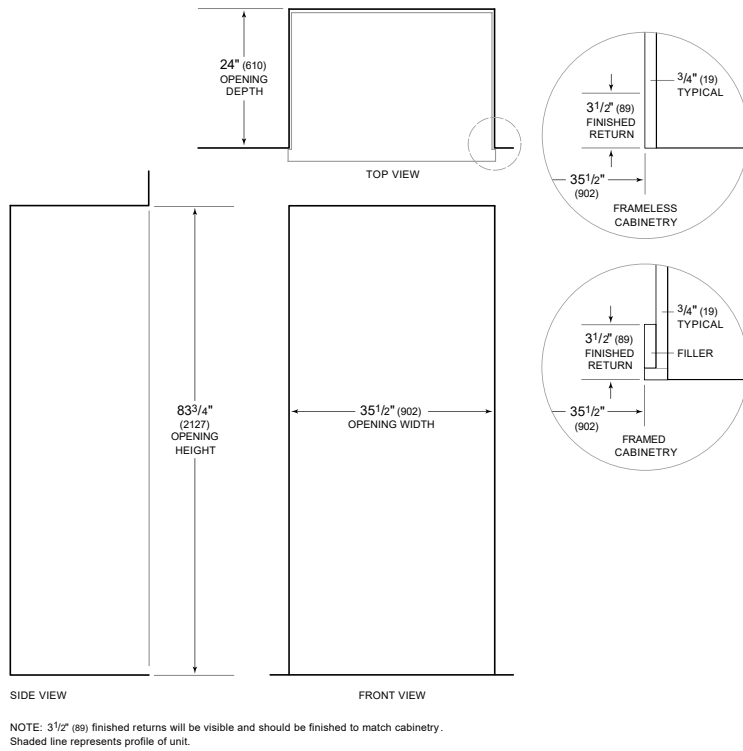


# Dimensions



# Standard Installation

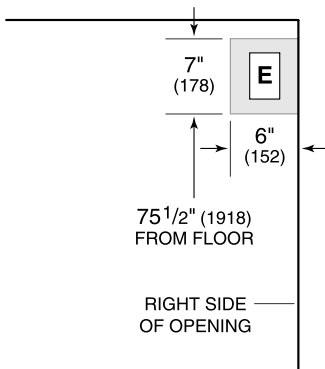


# Electrical Requirements

## Electrical Requirements

Electrical Supply 115 VAC, 60 Hz  
 Electrical Service 15 amp dedicated circuit

## Electrical Location Illustration



# Interior View

