

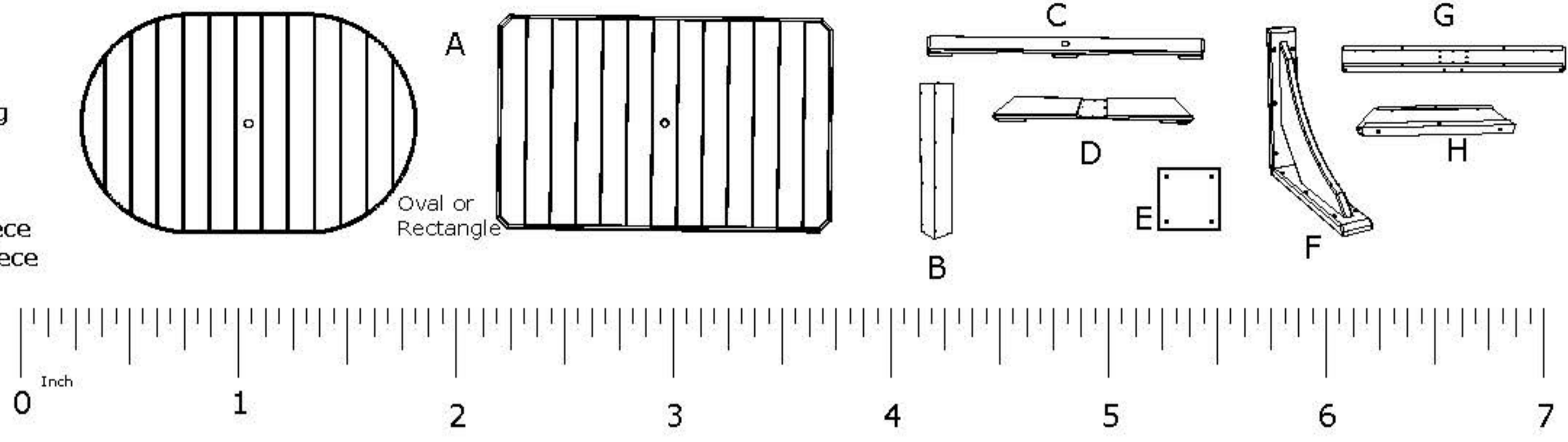


**Tools Required**

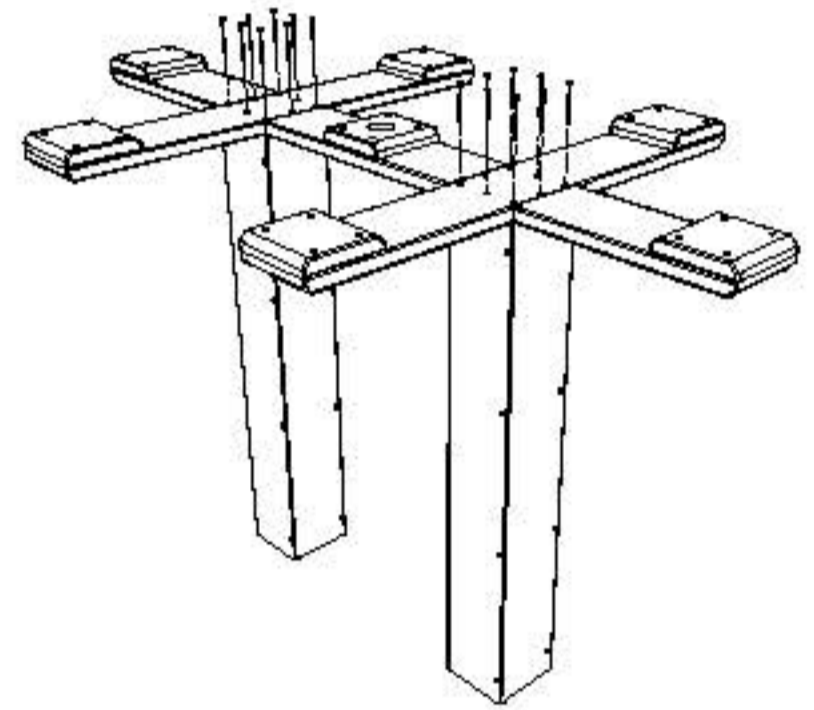
#2 Square Drive Bit  
(Not Included)

- Parts List**  
 1 - (A) Top  
 2 - (B) Pedestal Column  
 1 - (C) Pedestal Foot Long  
 2 - (D) Pedestal Feet  
 2 - (E) Pedestal Block  
 12 - (F) Brace  
 2 - (G) Top Long Crosspiece  
 2 - (H) Top Short Crosspiece

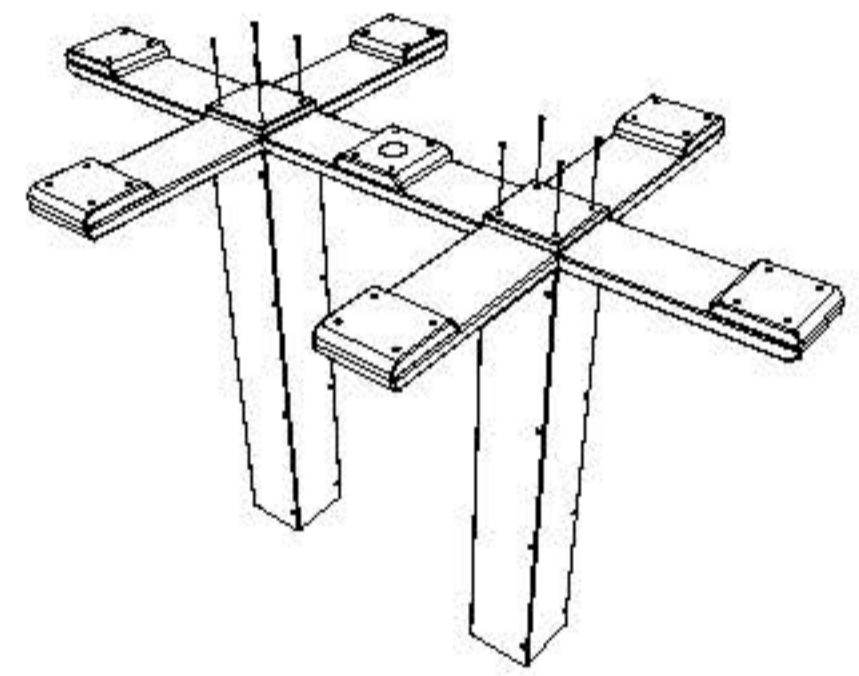
- Hardware**  
 32 - 2 1/2" Screws  
 24 - 2" Screws  
 152 - 1 1/2" Screws



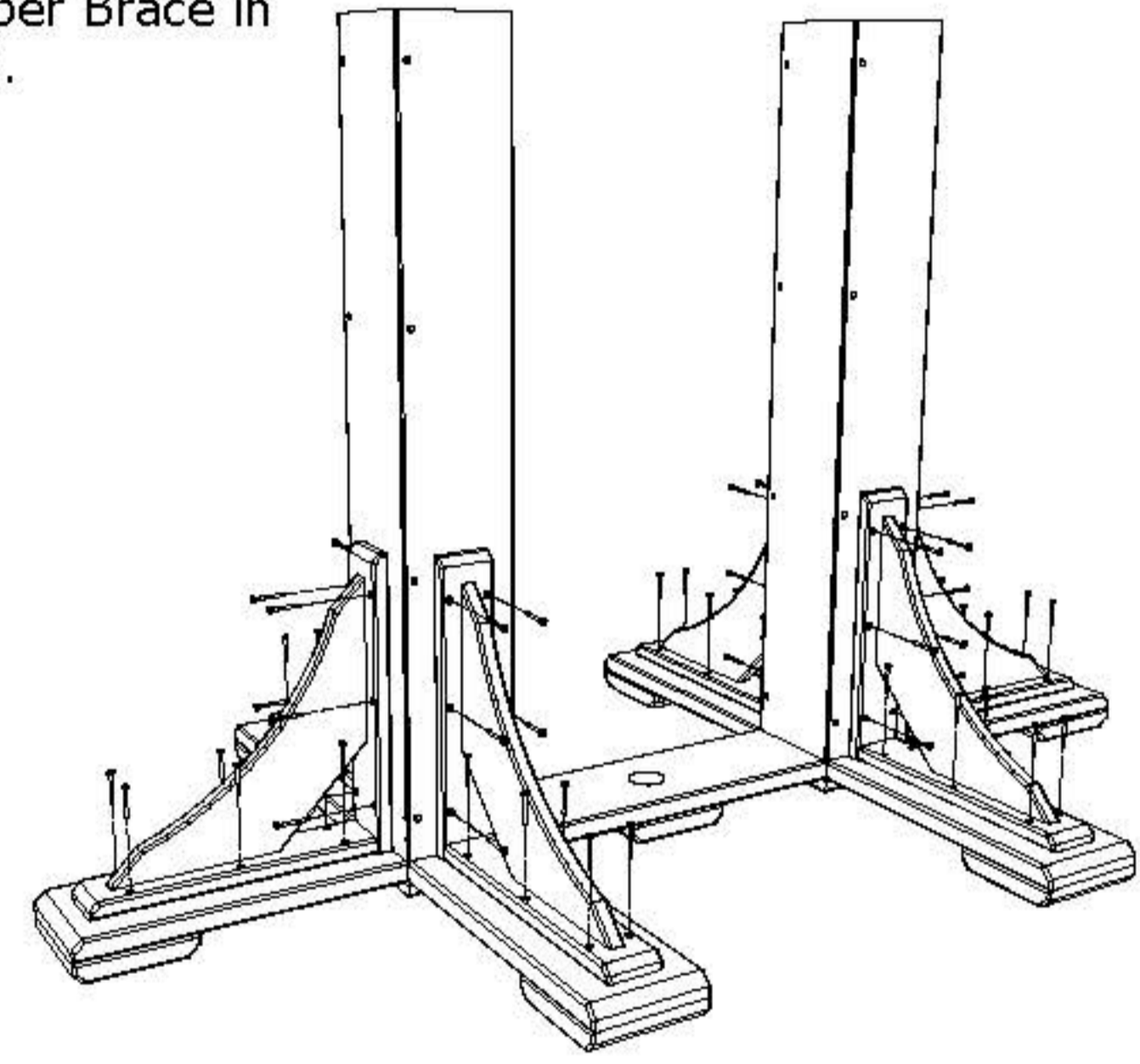
1. Attach (C) & (D) Pedestal Feet to (B) Pedestal Column using 8 - 2 1/2" Screws per Pedestal Column in predrilled holes.



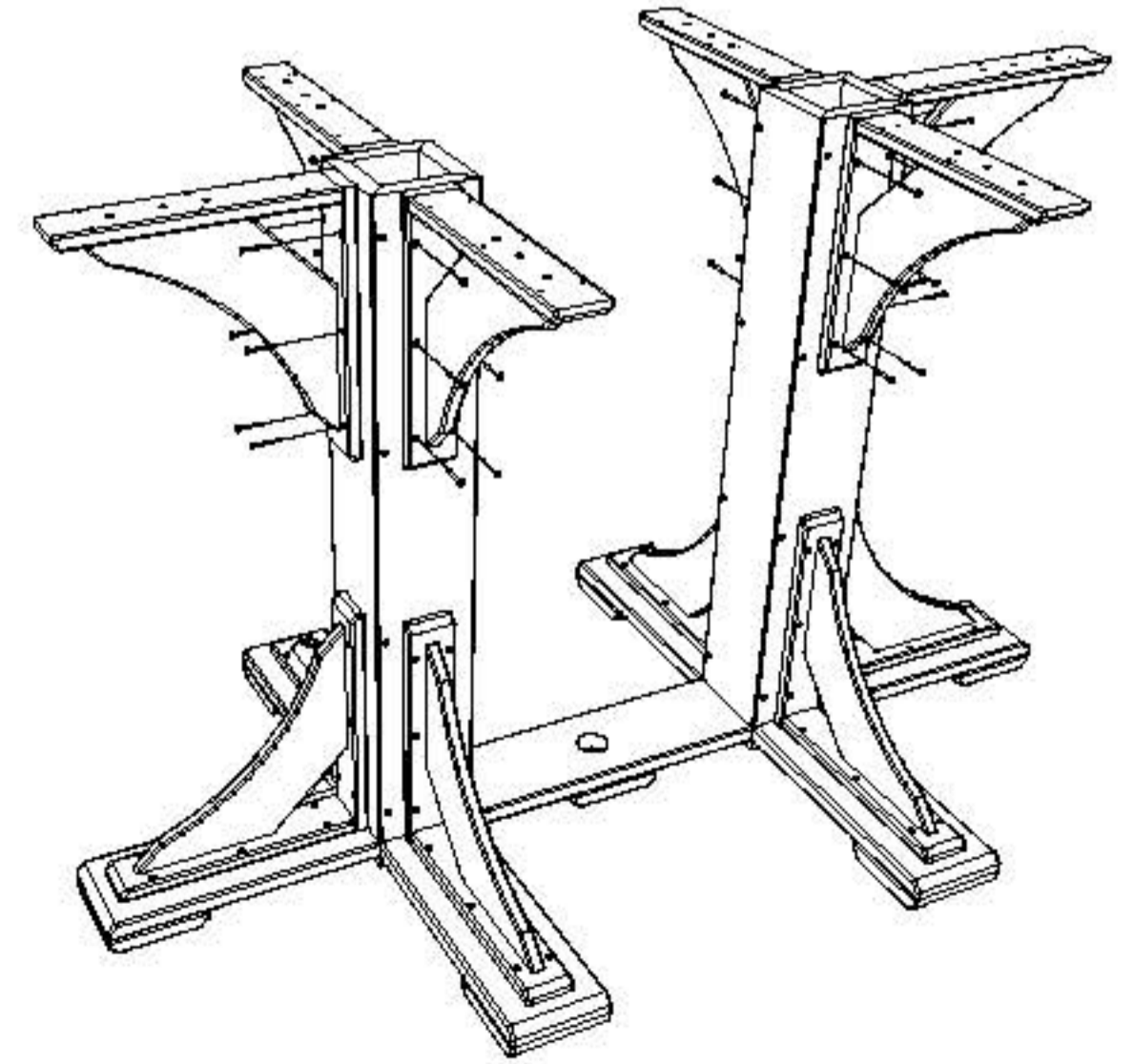
2. Align (D) Block in center of Pedestal Feet, Attach using 4 1 1/2" Screws per Block in predrilled holes.



3. Attach 6 (F) Braces using 12- 1 1/2" Screws per Brace in predrilled holes.



4. Attach remaining (F) Braces to Column using 6 - 1 1/2" Screws per Brace in predrilled holes, Be sure to center brace on Column & keep top side flush.



4 x 6 Oval or Rectangle Double Pedestal Table  
Assembly Instructions

10/18/ 2017

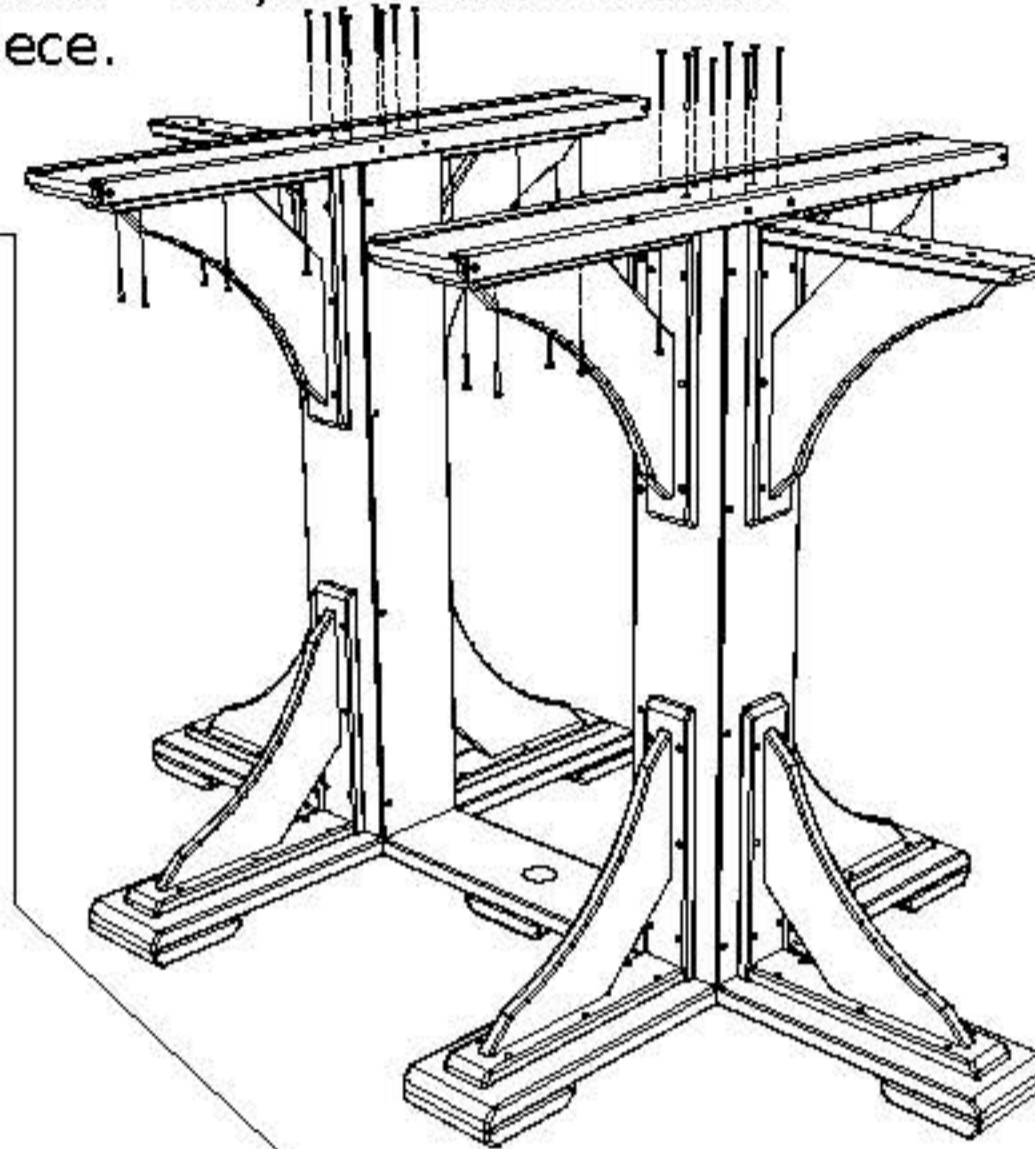
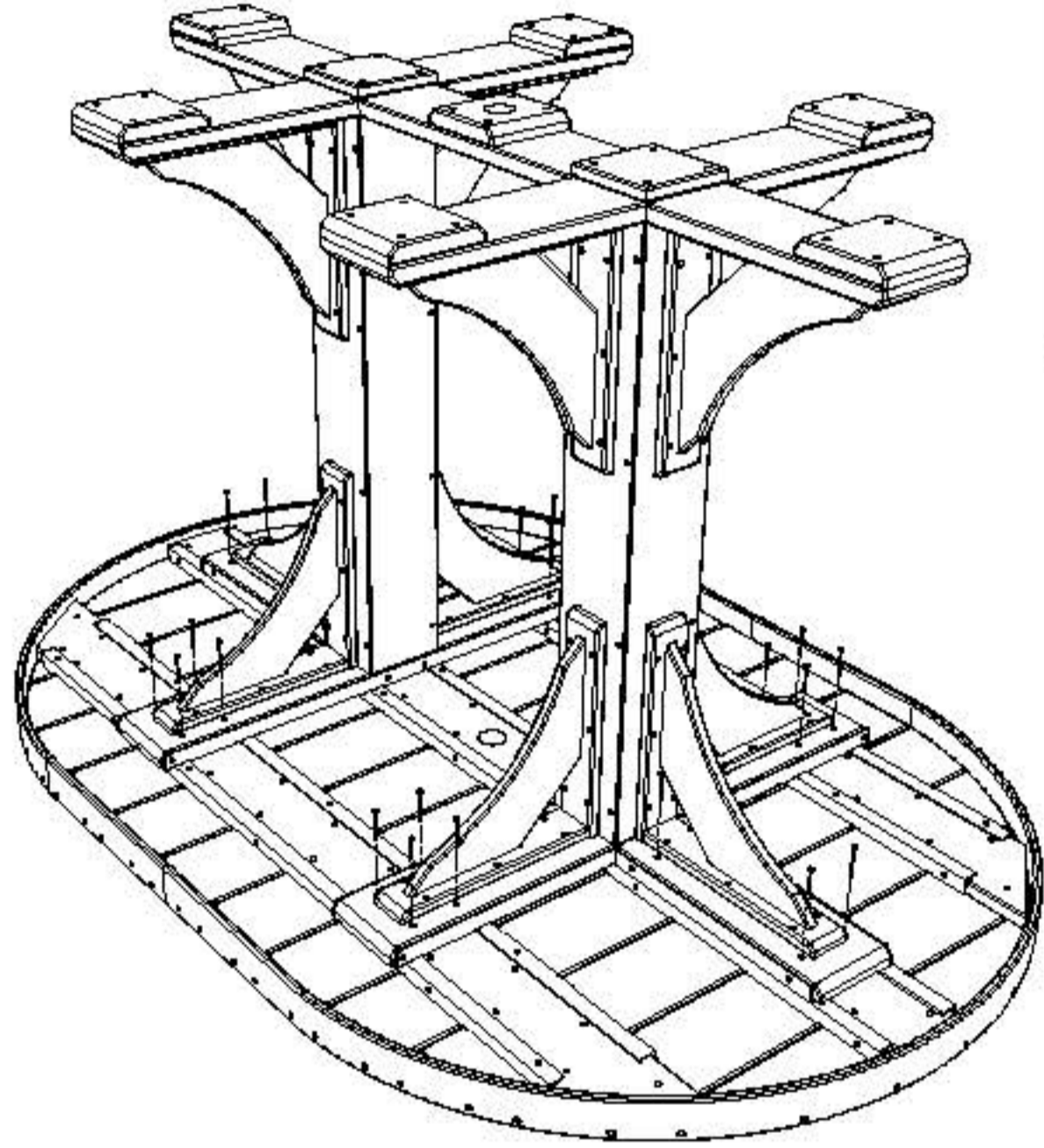
R.M.



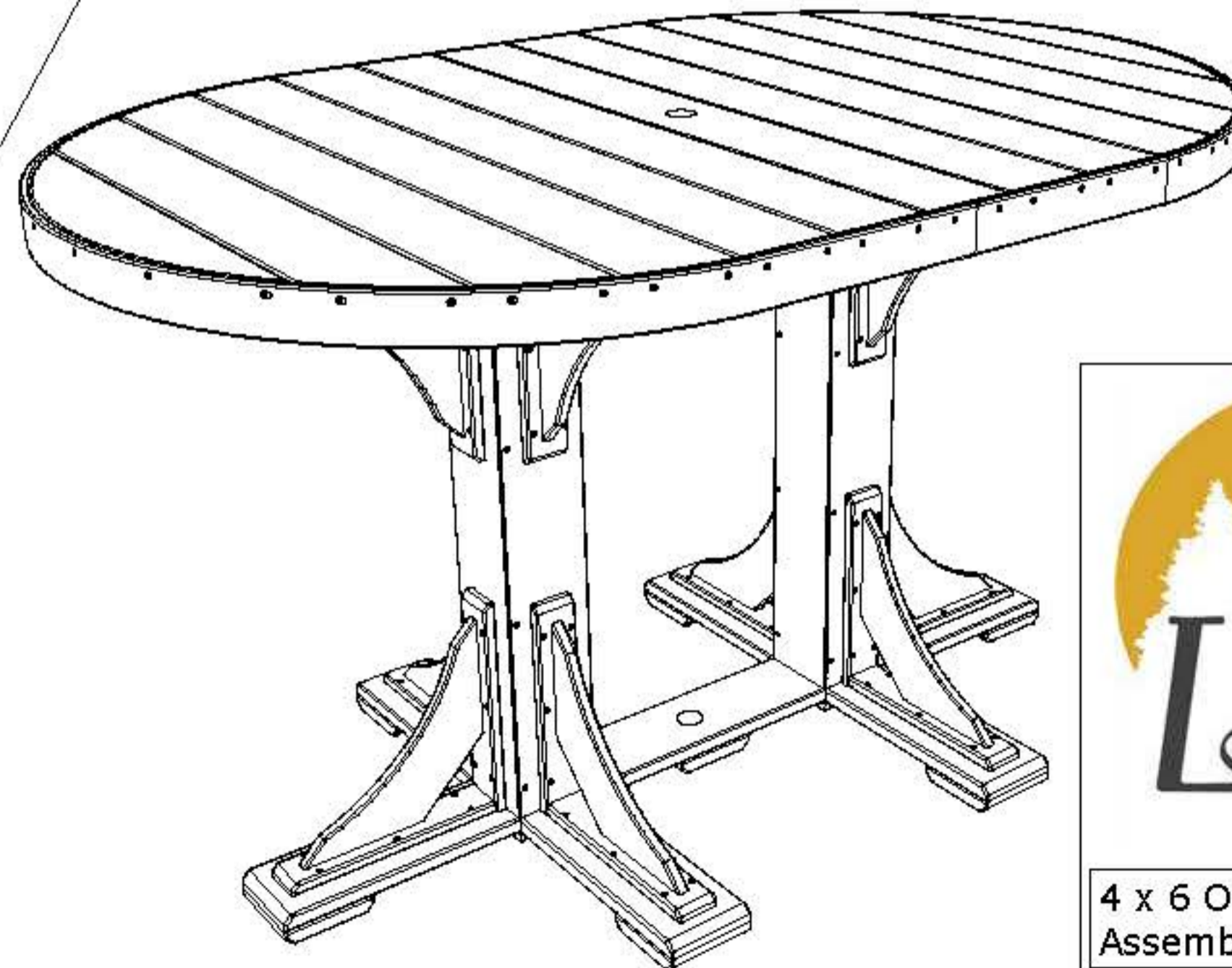
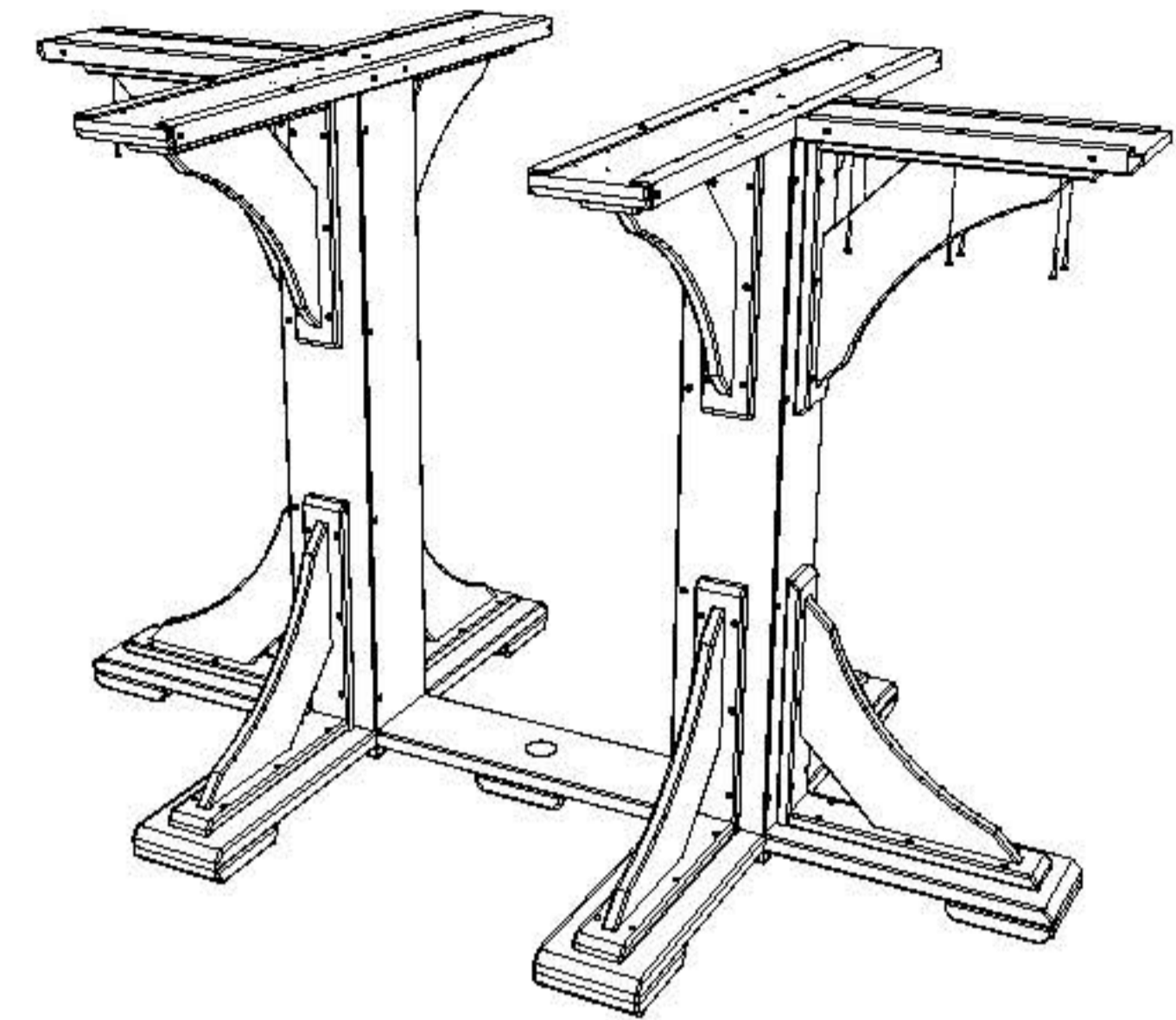
5. Align (G) Top Long Crosspiece with Pedestal Column & Braces, Install 8 - 2 1/2" Screws in each Pedestal Column & 6 - 1 1/2" Screws in each Top Long Crosspiece.

\*\*Aluminum must be on top side\*\*

7. Lay (A) Top on a soft blanket to prevent scratches, Position Base so all Numbers & or Letters match. Attach Top using 24 - 2" Screws in predrilled holes.



6. Attach (H) Top Short Crosspieces centered with Braces & against Top Long Crosspiece. Install 6 - 1 1/2" Screws per Top Short Crosspiece. \*\* Aluminum must be on top side\*\*



4 x 6 Oval or Rectangle Double Pedestal Table  
Assembly Instructions

10/18/ 2017

R.M.