

 TREASURE GARDEN

AD45 11'oc/10'sq/8'sq **Cantilever**

Assembly and Operation Guide



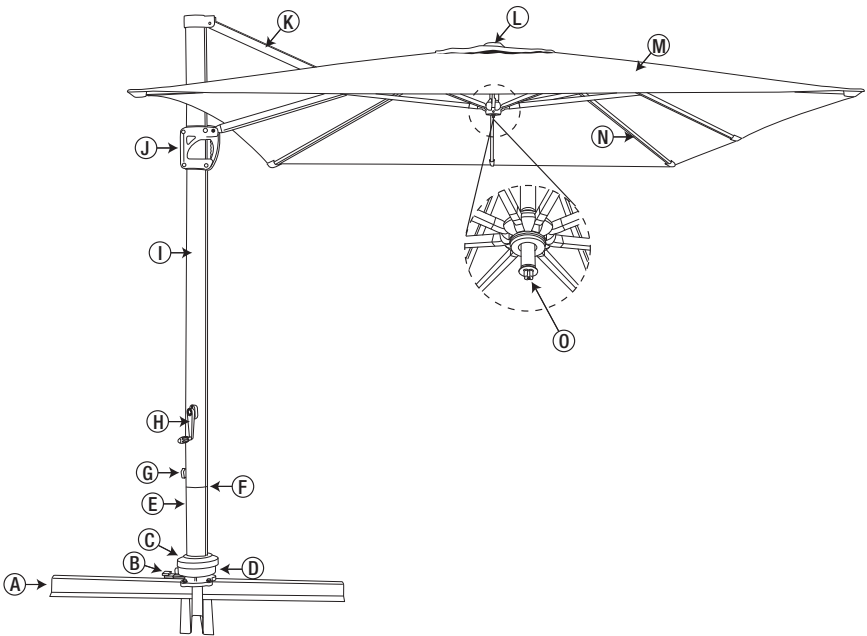
Thank you for your purchase of Treasure Garden's AD45 Cantilever Umbrella.

Please remove all contents from the package, inspect and review checklist.




CAUTION: To reduce personal injury and damage to your AD45, read and follow this assembly and operation guide. We recommend a two-person team for assembly and disassembly. *Save information for future reference.*

AD45 CHECKLIST

- | | | |
|-----------------------------|---------------------|-------------------------|
| A - Cross Bars (2) | F - Gasket | K - Canopy Support Beam |
| B - Foot Pedal | G - Knob | L - Finial |
| C - Rotating Hub Cover | H - Crank Handle | M - Canopy |
| D - Rotating Hub | I - Main Frame | N - Ribs |
| E - Main Frame Support Tube | J - Main Frame Grip | O - Vega™ Light Adapter |



AD45 PART LIST

Part	Description	Qty.
①	 Cross Bars	2
②	 Main Frame with Canopy	1
③	 Support Stem	1
④	 Main Frame Support Tube	1
⑤	 Gasket	1
⑥	 Rotating Hub Cover	1
⑦	 Rotating Hub	1
⑧	 Foot Pedal	1
⑨	 Knob	1
⑩	 Crank Handle	1
⑪	 Large Bolts	4
⑫	 Medium Bolts	4
⑬	 Small Screw	1
⑭	 Washers	8
⑮	 Wrench	1

REQUIRED FOR ASSEMBLY:

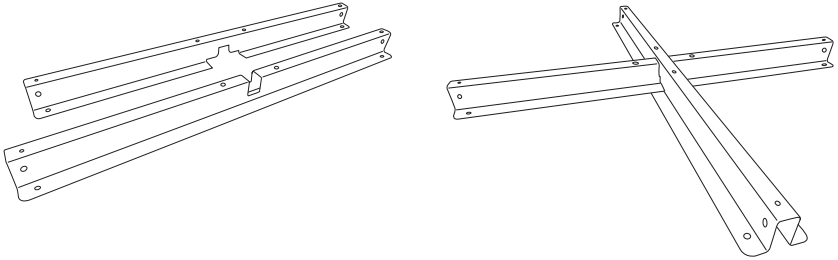
- One (1) Phillips Screwdriver
- Four (4) 40 lb. weights - square stones or concrete weights. (160 lb. total weight needed for support - **weights not included**) Stones & weights, standard sizes can be used up to 20" L x 20" W x 1.5" H.

NOTE: Using the cross bar stand without weights will damage your umbrella and may cause injury.

STEP 1 Assemble Cross Bar Stand

Select area to set AD45 base and place in desired location. Set cross bars in a cross position (Fig. 1). Secure stand with (4) square stones or concrete weights (weights not included).

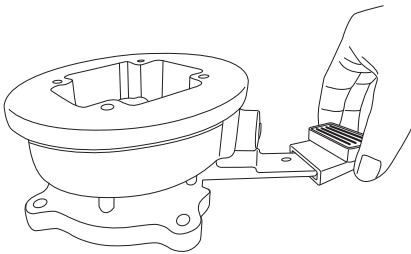
IMPORTANT: Cross bar stand will not support umbrella without proper weights. Using the stand without weights will damage your umbrella.



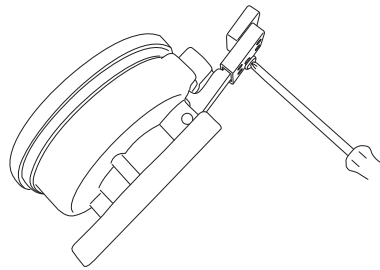
(Fig. 1)

STEP 2 Assemble AD45 Rotating Hub to Cross Bar Stand

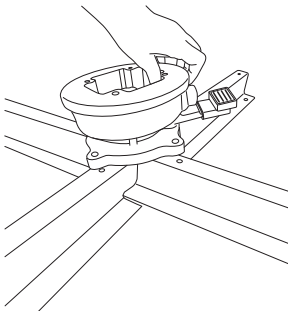
Attach foot pedal to rotating hub (Fig. 2). Turn rotating hub on side and secure foot pedal with small screw underneath foot pedal by tightening with phillips screwdriver (Fig. 3). Turn rotating hub upright and set onto cross bar stand (Fig. 4). By lining up holes, attach rotating hub to cross bar stand with 4 supplied large bolts and washers. Tighten with supplied wrench (Fig. 5).



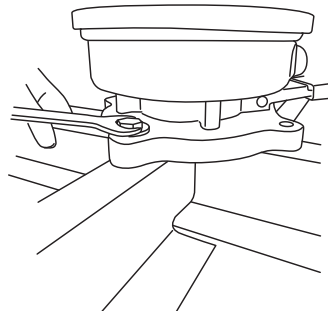
(Fig. 2)



(Fig. 3)



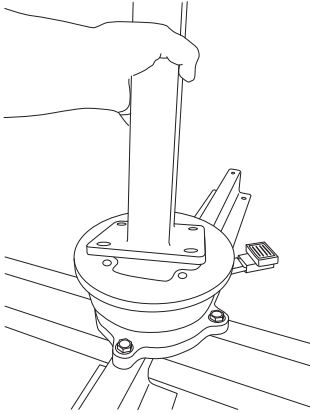
(Fig. 4)



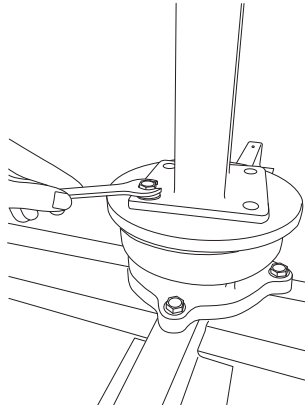
(Fig. 5)

STEP 3 Assemble AD45 Support Stem to Rotating Hub

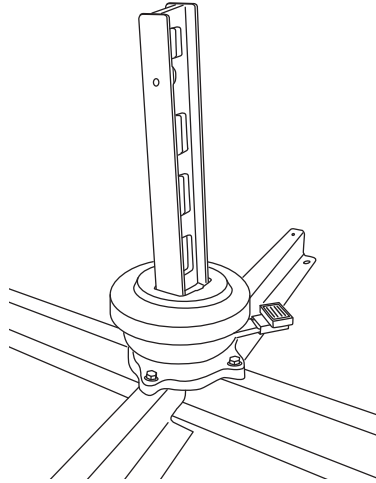
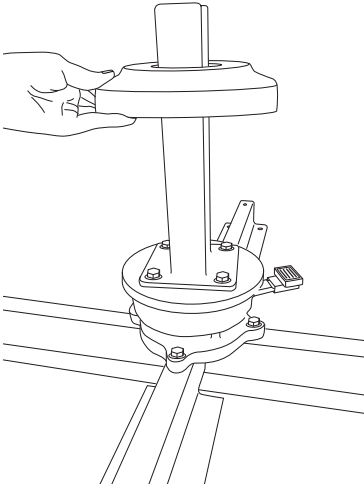
Slide support stem over rotating hub (Fig. 6) and line up holes. Tighten with 4 supplied medium bolts and washers. Tighten with supplied wrench (Fig. 7). Slide rotating hub cover over rotating hub (Fig. 8).



(Fig. 6)




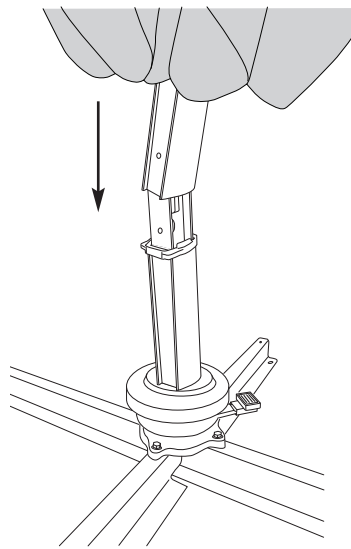
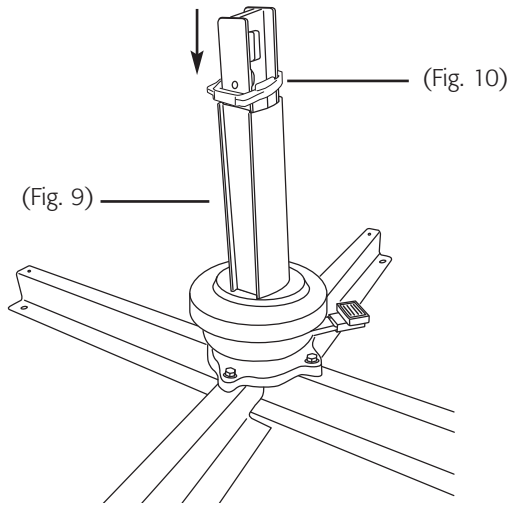
(Fig. 7)



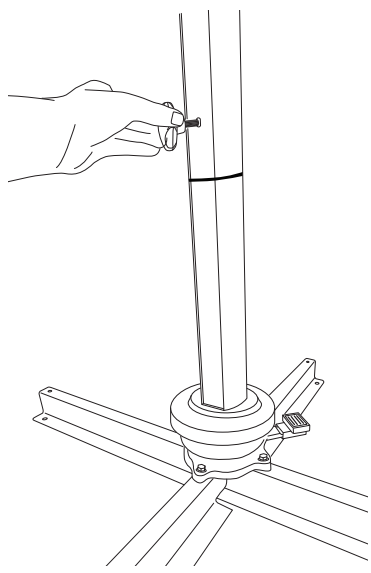
(Fig. 8)

STEP 4 Assemble AD45 Main Frame to Base

Slide main frame support tube over support stem (Fig. 9). Slide gasket over support stem and snap onto main frame support tube (Fig. 10). Slide main frame over support stem (Fig. 11). **NOTE:** Make sure back side of main frame is on the same side as hole located on support stem. Once main frame is set in place on support stem, secure together with knob. Tighten knob by turning clockwise  (Fig. 12), without over tightening.




(Fig. 11)

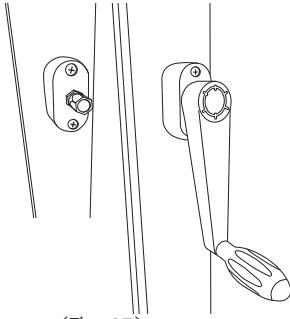


(Fig. 12)

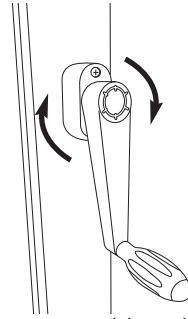
STEP 5 Opening AD45

Attach crank handle to crank mechanism (Fig. 13). From closed position, turn the crank clockwise  (Fig. 14) until the umbrella is fully opened (Fig. 15) and the hub is at the top most position (Fig. 16). Tilt umbrella to desired position. See Step 6 for tilt operation.

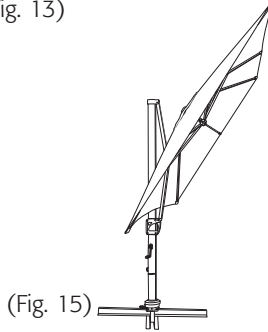
NOTE: When cranking umbrella open, if you feel resistance and the umbrella is not opening, do not force the crank. Gently spread umbrella ribs with hands, then continue to crank open.



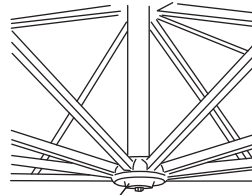
(Fig. 13)



(Fig. 14)



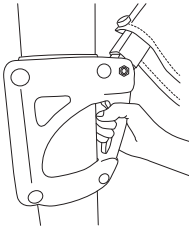
(Fig. 15)



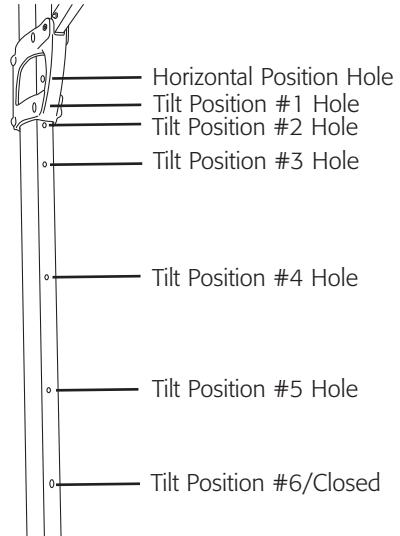
(Fig. 16)

STEP 6 Tilting AD45

To tilt umbrella, squeeze the main frame grip handle (Fig. 17) and slide handle to desired tilt position (Fig. 18). Release main frame grip handle to lock into tilt position.



(Fig. 17)



Tilt Positions (Fig. 18)



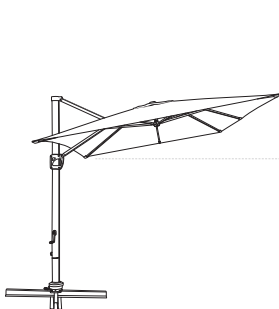
Horizontal Position



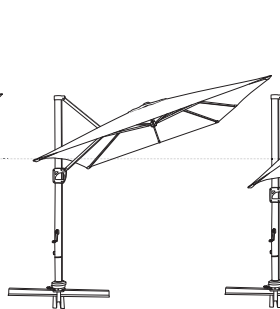
Tilt Position #1



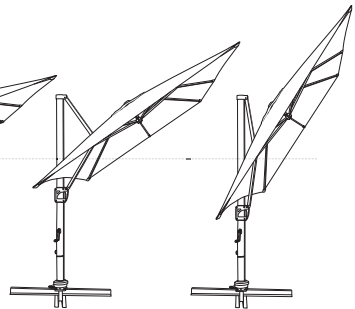
Tilt Position #2



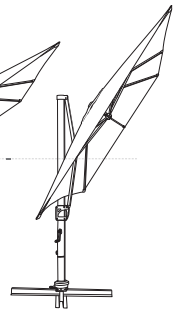
Tilt Position #3



Tilt Position #4



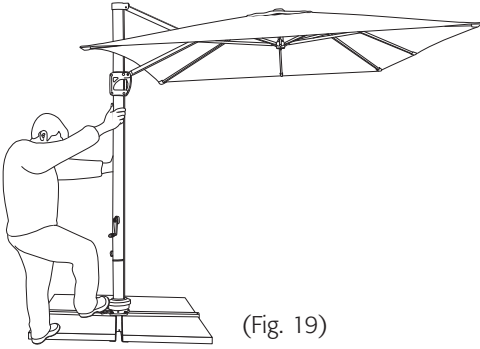
Tilt Position #5



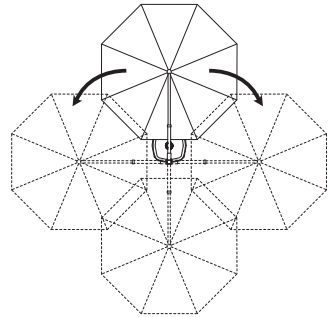
Tilt Position #6/Closed

STEP 7 Rotating AD45 360°

Place your foot on the foot pedal of the rotating hub and place hands on the main frame (Fig. 19). Swivel the umbrella frame in either direction until desired position is reached. There are 12 locking positions for the AD45 to rotate 360° (Fig. 20). Step off the foot pedal to engage rotating lock. Your umbrella will now be locked into desired location.




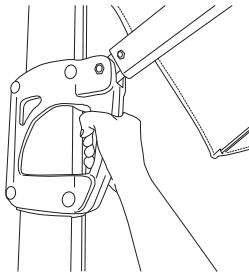
(Fig. 19)



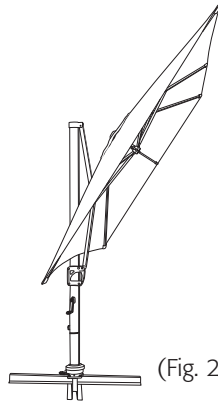
(Fig. 20)

STEP 8 Closing AD45

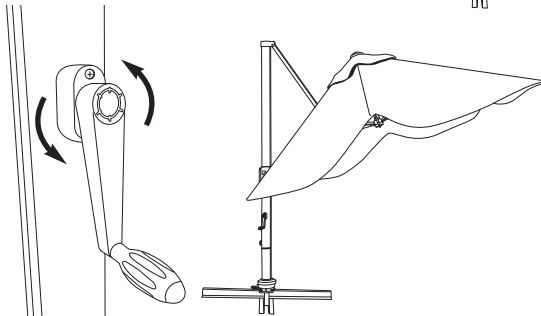
To close umbrella, squeeze main frame grip handle (Fig. 21) and slide grip handle down to closed position (Fig. 22). Turn crank handle counter-clockwise (Fig. 23)  until umbrella is closed (Fig. 24). Use ties to secure canopy to the main frame when umbrella is not in use.



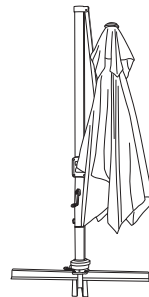
(Fig. 21)



(Fig. 22)




(Fig. 23)



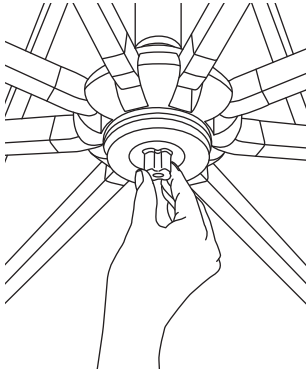
(Fig. 24)

To ATTACH Umbrella Light:

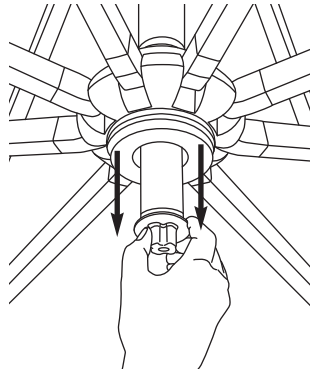
Loosen the light adapter built into the umbrella runner by turning counter-clockwise  (Fig. 25). After loosening, pull down light adapter post (Fig. 26) to attach the umbrella light (Fig. 27 and 28) (*sold separately*).

To REMOVE Umbrella Light and CLOSE adapter:

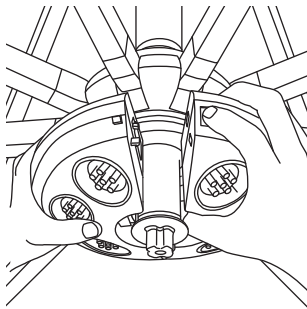
Remove umbrella light, and gently push up the light adapter post back into umbrella runner and tighten turning clockwise .



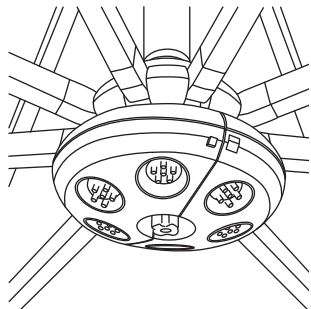
(Fig. 25)



(Fig. 26)



(Fig. 27)



(Fig. 28)

WARRANTY:

Treasure Garden warrants this product (in residential use) to be free from defects in original materials and workmanship for a period of 1 year from the date of purchase. If a defect in the original material or workmanship appears during the warranty period; Treasure Garden will (at its option) repair or replace the product without charge. Limited warranty against fabric fading, based on fabric grade.

Simply contact your original authorized Treasure Garden dealer with a description of the defect. The dealer will verify the defect and work closely with Treasure Garden to obtain the necessary service. In many cases, simple problems can be solved with a replacement part that can be shipped directly to the dealer for professional installation/repair.

In the event that warranted factory service is required, Treasure Garden will assume the responsibility of the return freight charges on warranted product for the first year only.

Returned product that (upon receipt and inspection) is deemed to be "not covered" under our warranty, will be shipped/billed at your expense.

This warranty gives you specific legal rights, and you may have other rights which vary from state to state.

NOTE: Failure caused by unreasonable or abusive use, or failure caused by neglect of reasonable and necessary care are not covered by this warranty.

Additionally, acts of nature (including but not limited to wind, hurricanes, tornadoes, and storms) are not covered by this warranty.

S A F E T Y P R E C A U T I O N S :

- Close the umbrella in windy conditions or when a storm approaches. Never allow the umbrella to flap in the wind; this could damage the canopy.
- Do not leave open umbrella unattended. If damage occurs, this is not covered by the warranty.
- When adjusting the umbrella, make sure that no person(s) or item(s) are close to the umbrella. This is important to prevent injury or material damage.

C A R E A N D M A I N T E N A N C E :

- When not in use, close and cover umbrella with a protective cover (sold separately).
- Allow a wet canopy to dry opened up.
- If necessary, clean the fabric with lukewarm water, mild detergent, and a sponge.
- Wipe sliding marks on the aluminum poles with a damp cloth.

Winter Storage:

- Store in a dry, protective place.
- Any visible defects must be repaired by a professional.

After the Winter:

- Areas subject to turning and sliding can be treated with a non-staining lubricant spray (silicone-based).
- Check the condition and function of the umbrella. Any defects must be repaired by a professional.



www.treasuregarden.com

©2013 Treasure Garden, Inc. - All Rights Reserved.

Rev. 3/13