

LSDS6338F

6.3 cu. ft. Smart wi-fi Dual Fuel. Slide-in Range with ProBake Convection® and EasyClean®

Large Capacity Oven (6.3 cu. ft.)

5 High Performance Sealed Burners

Soft Close Range Door

Air Fry Setting

InstaView® Window (WideView)

Air Sous Vide

EasyClean®

ProBake Convection™

Storage Drawer

CAPACITY	
Oven Capacity (cu. ft.)	6.3 cu.ft.
Storage Drawer Capacity (cu. ft.)	0.8 cu.ft.
COOKTOP	
Type	Dual Fuel (240V Electric & Gas)
No of Radiant Elements	5
Element Size/Wattage - Left Rear	9100 / 7500
Element Size/Wattage - Right Rear	5000 / 4000
Element Size/Wattage - Left Front	20000 / 12500
Element Size/Wattage - Right Front	22000 / 16000
Center (Warming Zone)	10000 / 10000 (Oval)
OVEN FEATURES	
Broil Element (Watt)	Sheath 4200 / 6 Pass
Convection (Watt)	Sheath 2500W
Convection Fan	Dual Speed (High/Low)
Convection Type	ProBake Convection™
Oven Modes	Bake, Conv. Bake, Conv. Roast, Broil High, Broil Low, Warm, Proof, Air fry, Air Sous-Vide, Frozen Meal, EasyClean, SelfClean
Oven Control Features	Glass Touch
Convection Conversion	Yes
EasyClean®	Yes
EasyClean® Time	10 mins
Self Clean	Yes
GoCook Smart Oven Light	Yes (1 Light)
No. of Rack Positions	7
Door Lock	Yes
Automatic Safety Shut-Down	After 12 hours
DRAWER FEATURES	
Type	Storage (no Handle)
CONTROL	
Cooktop Control Type	Front Control Knobs
Oven Control Type	Glass Touch
Back lighting	Yes
Knob lighting	Yes
Display	LED / White
Language	English
Clock	12 hr or 24 hr (option)
Kitchen Timer	Yes
Timed Cook	Yes
Temperature Unit of Measure	Fahrenheit / Celsius
Cooking Complete Reminder Volume	Beeper (Hi, Lo, Off)
Certified Sabbath mode	Yes



APPEARANCE	
All Available Colors	Stainless Steel
Knobs	Stainless Steel
Knobs Material	Aluminum
Handle	Stainless Steel
Printproof™ Finish	Yes
Oven Door Feature	InstaView™ + WideView™
Cooktop Finish	Stainless Steel
SMART FEATURES	
ThinQ® (Wifi Enabled)	Yes
Check & Control	Yes
Voice Control	Yes
Smart Recipe (3rd Party Recipe App)	Innit, Sidechef
SmartDiagnosis™	Yes
DIMENSIONS / CLEARANCES / WEIGHT	
Shipping Weight (lbs)	230lb (104.3kg)
Product Weight (lbs)	187lb (84.9kg)
Cabinet Width (in)	30"
Overall Depth (in) - without handle	26 7/8"
Overall Depth (in) - including handle	29 3/8"
Overall Height (in)	37 2/8"
Overall Width (in)	29 7/8"
Oven Interior Dimensions (in) (W x H x D)	24 7/8" x 21 3/8" x 20"
Height to Cooking Surface (in)	37 1/8"
Drawer Dimensions (in) (W x H x D)	22 3/16" x 4 1/2" x 16 3/8"
Carton Dimensions (in) (W x H x D)	31 15/16" x 42 1/16" x 29 15/16"
POWER/RATINGS	
Amp Rating at 208V	15.2A
Amp Rating at 240V	17.5A
KW Rating at 208V	3.2kW
KW Rating at 240V	4.2kW
Required Power Supply (amp)	40A
ACCESSORIES	
Gliding Rack	1
Heavy Duty Rack	2
Air Fry Rack	1
Wok Grate	1
Temp Probe	Yes
Spray Bottle	Yes
Scouring Pad	Yes
LIMITED WARRANTY	
Parts & Labor	2 Years
UPC CODES	
LSDS6338F (Stainless Steel)	195174020579

LSDS6338F

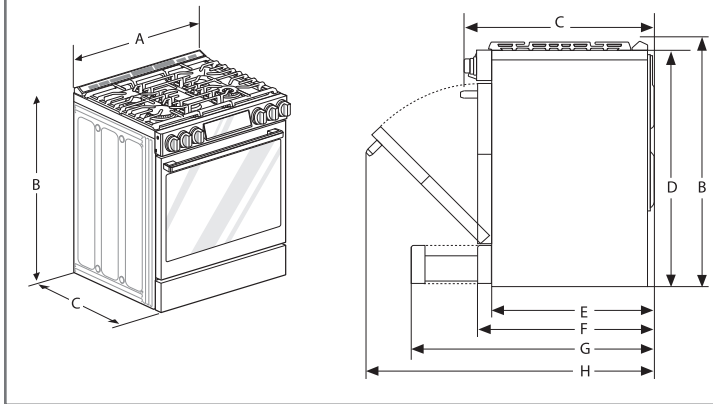
6.3 cu. ft. Smart wi-fi Dual Fuel. Slide-in Range
with ProBake Convection® and EasyClean®

QUICK INSTALL & CLEARANCES

For full installation directions/clearances please refer to the corresponding User Manual and Installation Guide.

DIMENSIONS / CLEARANCES

A	Width	29 7/8"
B	Height	37 1/4"
C	Depth (Includes Door Handle)	29 3/8"
D	Height (Excludes Vent Trim)	36"
E	Depth (Includes only the product body that is loaded into the cabinet. Excludes door, drawer, and handles)	24 3/4"
F	Depth (Excludes Door Handle)	26 7/8"
G	Depth when drawer is fully opened	36 1/16"
H	Depth when door is fully opened	48 5/8"



CONNECTING GAS

Providing Adequate Gas Supply

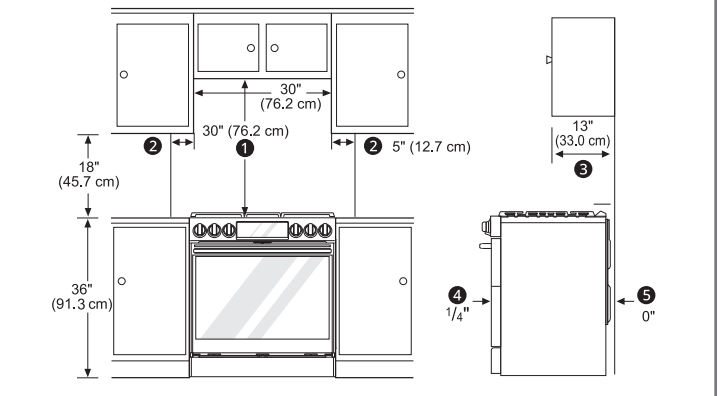
- Your range is designed to operate at a pressure of 5" of water column on natural gas or 10" of water column on LP.
- Make sure you are supplying your range with the type of gas for which it is configured.
- This range is convertible for use on natural or LP gas. When using this range on LP gas, conversion must be made by a qualified LP installer before attempting to operate the range.
- For proper operation, the pressure of natural gas supplied to the regulator must be between 5" and 13" of water column.
- For LP gas, the pressure supplied to the regulator must be between 10" and 13" of water column. When checking for correct operation of the regulator, the inlet pressure must be at least 1" more than the operating (manifold) pressure as given above.
- The pressure regulator located at the inlet of the range must remain in the supply line regardless of which type of gas is being used.
- A flexible metal appliance connector used to connect the range to the gas supply line should have an I.D. of 5/8" and a maximum length of 5 feet. In Canada, flexible connectors must be single wall metal connectors less than 6 feet in length

⚠ WARNING

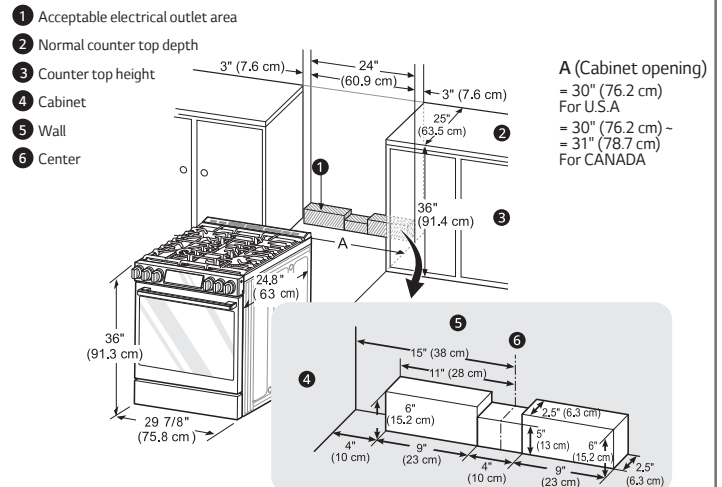
- Isolate the range from the gas supply system by closing its individual shut-off valve during any pressure testing of the gas supply system at test pressures equal to or less than 1/2 psi (3.5 kPa).
- The appliance and its individual shut-off valve must be disconnected from the gas supply piping system during any pressure testing of that system at test pressures in excess of 1/2 psi (3.5 kPa).

CLEARANCES

1	Minimum	30"
2	Minimum clearance to left/right wall	5"
3	Maximum depth for cabinets above countertops	13"
4	Front edge of the range side panel forward from cabinet	1/4"
5	To cabinets below cooktop and at the range back	0"



GAS PIPE AND ELECTRICAL OUTLET LOCATIONS



CONNECTING ELECTRICITY

Electrical Requirements

- This appliance must be installed and grounded on a branch circuit by a qualified technician in accordance with the National Electrical code ANSI/NFPA NO. 70 - latest edition.
- All wiring should conform to Local and NEC codes. This range requires a single-phase, 3 wire, AC 120/208 V or 120/240 V 60 Hz electrical system. Use only a 3-conductor or a 4-conductor UL - listed range cord with closed-loop terminals, open-end spade lugs with upturned ends or similar termination. Do not install the power cord without a strain relief.
- A range cord rated at 40 amps with 120/240 minimum volt range is required. If a 50 amp range cord is used, it should be marked for use with 13/8" diameter connection openings. This appliance may be connected by means of a conduit or power cord. **If a conduit is being used, refer to "3-Wire Connection: Conduit" or "4-Wire Connection: Conduit" sections in the Owner's Manual.**

⚠ WARNING

- Allow 2 to 3 ft (61.0 cm to 91.4 cm) of slack in the line so that the range can be moved if servicing is ever necessary.
- The power supply cord and plug should not be modified. If it will not fit the outlet, have a proper outlet installed by a qualified electrician.
- Using an extension cord to connect the power is prohibited. Connect the power cord and plug directly.
- Electrical ground is required on this appliance.
- Make sure that the power cord is not pinched by the range or heavy objects. Failure to do so can result in serious burns or electrical shock.