

Built-in and Combination Ovens

Installation Manual

HBL8463UC HBL8443UC HBL8743UC HBL8453UC
HBL8753UC HBL87M53UC



BOSCH

Invented for life



Table of Contents

▲ Safety Definitions	3	Appliance and Cabinet Cutout Dimensions	8
IMPORTANT SAFETY INSTRUCTIONS	4	Dimensions for Single Oven Units	8
Appliance Handling Safety	4	Dimensions for Combination Oven Units	9
Safety Codes and Standards	4	Electrical Installation - Grounding Instructions	11
Electric Safety	4	Electrical Connection	11
Related Equipment Safety	4	Four-wire Connection	11
Proposition 65 Warning	4	Three-wire Connection	11
Transport	5	Oven Installation	12
Bosch Combination Ovens	6	For Best Installation	12
Before you Begin	6	Pre-Assembly of the Combination Oven	12
Tools and Parts Needed	6	Remove Oven Door Prior to Installation	14
Parts Included	6	Installing the Oven into the Cabinet	15
Power Requirements and Grounding	6	How to Replace the Oven Door	16
For Best Installation	6	Testing Operation	17
Checklist	6	Bosch® Support	17
Removing Packaging	7	Before Calling Service	17
Built-in Ovens:	7	Rating Label	17
Combination Ovens:	7	Service	17
Packaging Bracket Removal-Left and Right Sides	7	Parts and Accessories	17
Preparing Ovens	7		

This Bosch Appliance is made by
BSH Home Appliances Corporation
1901 Main Street, Suite 600
Irvine, CA 92614

Questions?

1-800-944-2904

www.bosch-home.com/us

We look forward to hearing from you!

Safety Definitions

WARNING

This indicates that death or serious injuries may occur as a result of non-observance of this warning.

CAUTION

This indicates that minor or moderate injuries may occur as a result of non-observance of this warning.

NOTICE: This indicates that damage to the appliance or property may occur as a result of non-compliance with this advisory.

Note: This alerts you to important information and/or tips.

IMPORTANT SAFETY INSTRUCTIONS

READ AND SAVE THESE INSTRUCTIONS

IMPORTANT: SAVE THESE INSTRUCTIONS FOR THE LOCAL ELECTRICAL INSPECTOR'S USE.

INSTALLER: LEAVE THESE INSTALLATION INSTRUCTIONS WITH THE UNIT FOR THE OWNER.

OWNER: PLEASE RETAIN THESE INSTRUCTIONS FOR FUTURE REFERENCE.

WARNING

If the information in this manual is not followed exactly, fire or shock may result causing property damage or personal injury.

WARNING

Do not repair, replace or remove any part of the appliance unless specifically recommended in the manuals. Improper installation, service or maintenance can cause injury or property damage. Refer to this manual for guidance. All other servicing should be done by an authorized servicer.

Appliance Handling Safety

CAUTION



- Unit is heavy and requires at least two people or proper equipment to move.
 - For double and triple ovens three or more people are needed to assist with lifting the unit into place.
 - Do not lift appliance by door handle.
 - Hidden surfaces may have sharp edges. Use caution when reaching behind or under appliance.
-

Safety Codes and Standards

This appliance complies with the latest version of one or more of the following standards:

- CAN/CSA C22.2 No. 61 - Household Cooking Ranges
- UL 858 - Household Electric Ranges
- CAN/CSA C22.2 No. 150 - Microwave Ovens
- UL 923 - Microwave Cooking Appliances
- CSA C22.2 No. 64 - Household Cooking and Liquid-Heating Appliances
- UL 1026 - Electric Household Cooking and Food Serving Appliances

It is the responsibility of the owner and the installer to determine if additional requirements and/or standards apply to specific installations.

Electric Safety

Before you plug in an electrical cord, be sure all controls are in the OFF position.

If required by the National Electrical Code (or Canadian Electrical Code), this appliance must be installed on a separate branch circuit.

Installer - show the owner the location of the circuit breaker or fuse. Mark it for easy reference.

Important - save these instructions for the local electrical inspector's use.

Before installing, turn power OFF at the service panel. Lock service panel to prevent power from being turned ON accidentally.

Refer to rating label for more information. See "Rating Label" under "Service" for rating label location.

Be sure your appliance is properly installed and grounded by a qualified technician. Installation, electrical connections and grounding must comply with all applicable codes.

Related Equipment Safety

Remove all tape and packaging before using the appliance. Destroy the packaging after unpacking the appliance. Never allow children to play with packaging material

Never modify or alter the construction of the appliance. For example, do not remove leveling legs, panels, wire covers or anti-tip brackets/screws.

Before starting up the appliance, remove any packaging material and adhesive film from the cooking compartment and the door.

Proposition 65 Warning:

This product may contain a chemical known to the State of California, which can cause cancer or reproductive harm. Therefore, the packaging of your product may bear the following label as required by California:

STATE OF CALIFORNIA PROPOSITION 65 WARNING:



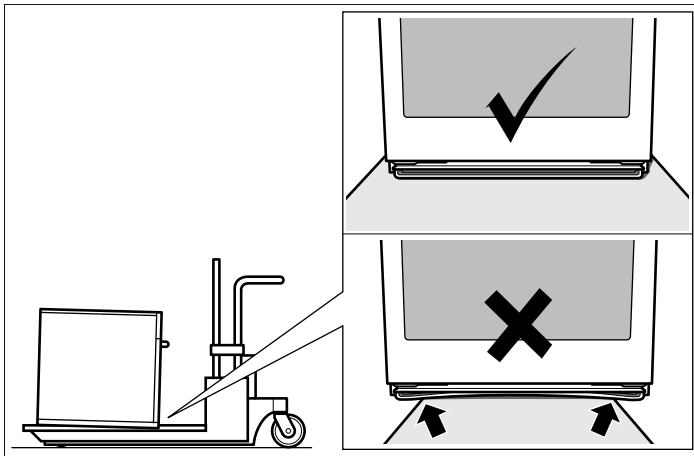
Cancer and Reproductive Harm - www.P65Warnings.ca.gov

⚠ IMPORTANT SAFETY INSTRUCTIONS

READ AND SAVE THESE INSTRUCTIONS

Transport

To avoid damage to the oven vent, use the transport method shown in the picture below.



Bosch Combination Ovens

The **HBL8743UC**, **HBL8753UC** and **HBL87M53UC** Bosch combination ovens are sold as sets, each of which includes two built-in oven components: a conventional wall oven (lower oven) and either a built-in speed oven or a microwave oven(upper oven).

- For ease of installation and improved alignment, the oven components are assembled together in the customer's home rather than at the factory.
- Each of the components are packed in separate boxes, which are strapped together prior to shipping.

- The combination ovens listed here are approved for use in a single cutout, using single power connection.
- Each conventional oven component is designed with an oven-mounted junction box on top, which is used for connecting the upper oven power cable.
- The hardware required for mounting the speed oven on top of the conventional oven will be found inside the conventional oven box.
- Each of the oven components has its own rating label, the component model number, FD number, etc.

Before you Begin

Tools and Parts Needed

- Phillips-head screwdriver
- Star-head screwdriver (T20)
- Measuring tape
- Drill with bit (1/8")
- Gloves
- Utility Knife

Parts Included

Phillips head screws (6).

Power Requirements and Grounding

The outlet must be properly grounded in accordance with all applicable codes.

For Best Installation

The oven can be difficult for two people to handle during installation. It is recommended that three or more people be available to assist with lifting the unit into place.

Removal of the oven door (to reduce the unit weight and to provide necessary gripping points) can be cumbersome unless the detailed door removal instructions are followed carefully. Do not attempt to remove the speed oven door.

Please take time to read and follow the instructions provided for an improved installation experience.

Checklist

Use this checklist to verify that you have completed each step of the installation process. This can help you avoid mistakes.

- Before installing the oven, be sure to verify the cabinet dimensions are correct and the required electrical connections are present.
- Refer to additional information in this manual regarding Safety, Cabinet Dimensions, Removing Packaging, Electrical Installation, Testing the Installation and Customer Service.

- Remove the lower oven door to reduce the unit weight and to provide access to gripping points for lifting. See "Remove Lower Oven Door Prior to Installation" information.
- Move the oven units into place in front of the cabinet opening, leaving the bottom packaging on the units to avoid damaging flooring.
- Remove the Star-head screws (T-20 size using Star-head screwdriver) holding the speed microwave oven to the base of its carton.
- Assemble the two units of the combination oven. See "Pre-Assembly of the Combination Oven".
- Connect the power cable from the lower oven to the junction box in the cabinet.
- Remove the Star-head screws (T-20 size using Star-head screwdriver) holding the lower oven to the base of its carton.
- Team-lift the unit directly into the cabinet cutout taking care not to pinch fingers, scratch arms or hands.
- Slide the unit all the way into place.
- Fasten the unit to the cabinet opening with the screws supplied using a Philips screwdriver.
- Reinstall the oven door removed in Step 3 above.
- Consult the complete installation instructions and follow the remainder of the procedures listed, including performing operation test.
- INSTALLER- Leave the literature pack and the accessories with the customer.

Removing Packaging

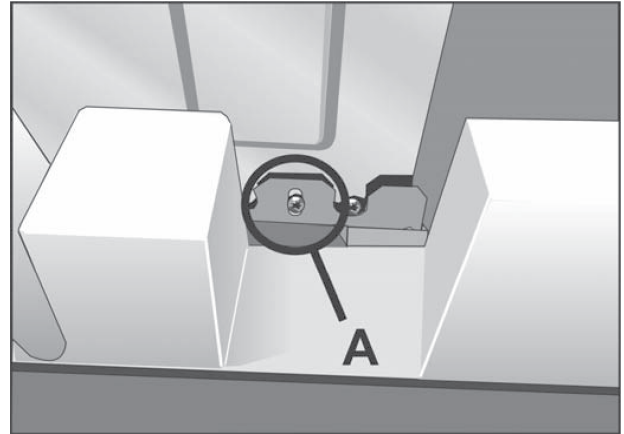
Built-in Ovens:

1. Cut the straps.
2. Open top of carton and remove top wood frame.
3. Lift the carton up and over the appliance to remove, or carefully cut along the cut line on the back left side of the carton with a blade shorter than 3/4" and remove carton.
4. Carefully remove internal protective packaging taking care to secure any loose accessories and instruction manuals.
5. Remove bracket(s) securing appliance to base pad, if present.
6. The unit should stay on the packaging base until ready to be lifted into cabinet cutout.
7. Install the appliance according to the installation instructions.

Combination Ovens:

1. Cut the straps and remove angle board/strap protectors from top of carton.
2. Open top of carton.
3. Lift the carton up and over the appliance to remove, or carefully cut along the cut line on the back left side of the carton with a blade shorter than 3/4" and remove carton.
4. Carefully remove the microwave or steam oven carton from top of bottom carton and place on floor.
5. Follow instructions on interior cartons for removal of remaining packaging.

Packaging Bracket Removal-Left and Right Sides



Note: Actual bracket varies in appearance. The bracket remains in the packaging base. The unit should stay on the packaging base until ready to be lifted into cabinet cutout or onto the lower oven.

Preparing Ovens

Place ovens in front of the cabinet where it is to be installed so that they are in line with the cabinet cutout.

Check to be sure all packing materials have been removed from the unit. Also remove the accessories, oven racks, literature pack and any shipping materials from inside the oven cavity. Check both ovens for a double oven or combination oven installation.

Appliance and Cabinet Cutout Dimensions

It is good practice, when an oven is installed at the end of a cabinet run, adjacent to a perpendicular wall, or cabinet door, to allow at least 1/4" (6.4 mm) space between the side of the oven and the wall/door.

For oven support, install 2x4s extending front to back flush with the bottom and the sides of the opening. The supporting base must be well secured to the floor/ cabinet and level.

Junction boxes can be located anywhere within reach of the oven's power cable.

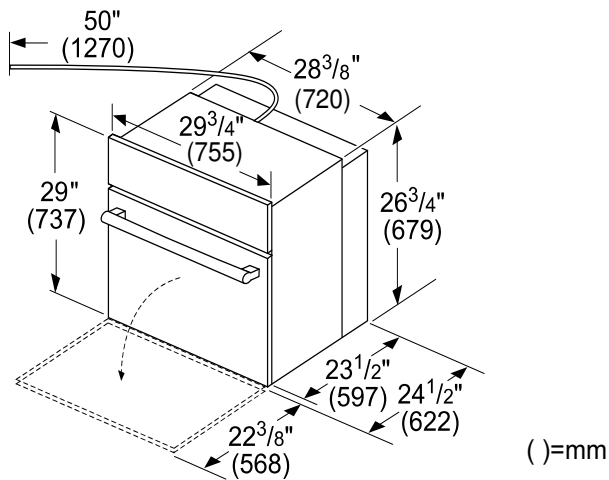
The cabinet base must be flat and capable of supporting the weight of the combination oven up to 429 lbs. (195 kg).

Dimensions for Single Oven Units

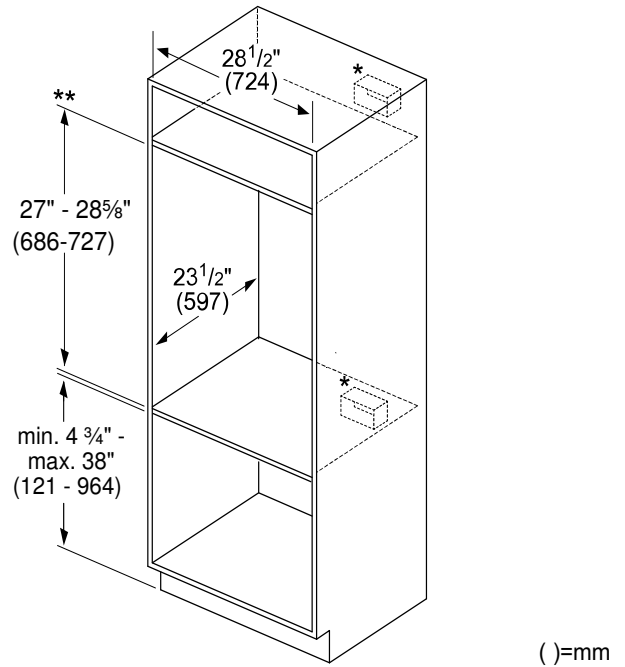
The cabinet base must be flat and capable of supporting a weight of at least 232 lbs (105 kg).

Under oven dimensions are provided as a general guideline and may be adjusted as needed based on a particular application. Consult a design professional for optimizing personal preferences.

Single Oven Appliance Dimensions



Single Oven Wall Mount Installation



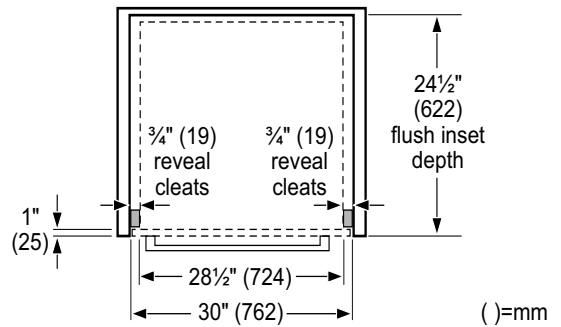
*For single ovens installed into a wall cabinet, the junction box may be located above, beneath, left or right of the unit within reach of the power cord.

**For oven installation in a wall cabinet, the control panel overlap is a minimum 3/8" (10mm) to max. 2" (51mm).

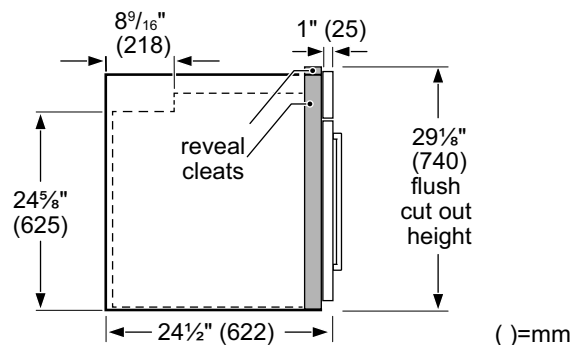
Single Oven Flush Mount Installation

Flush installation requires two side cleats to be attached inside the cabinet frame, recessed from the front.

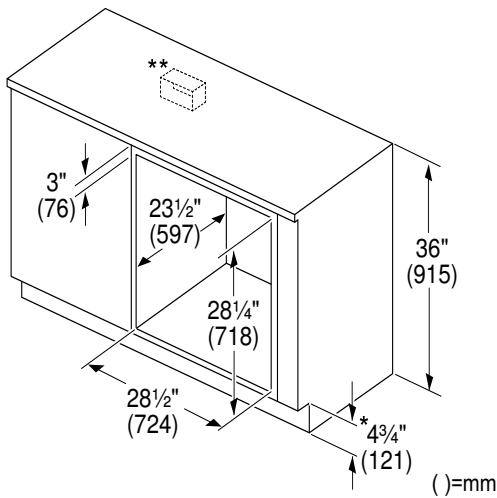
Top View



Side View



Under-Counter Installation



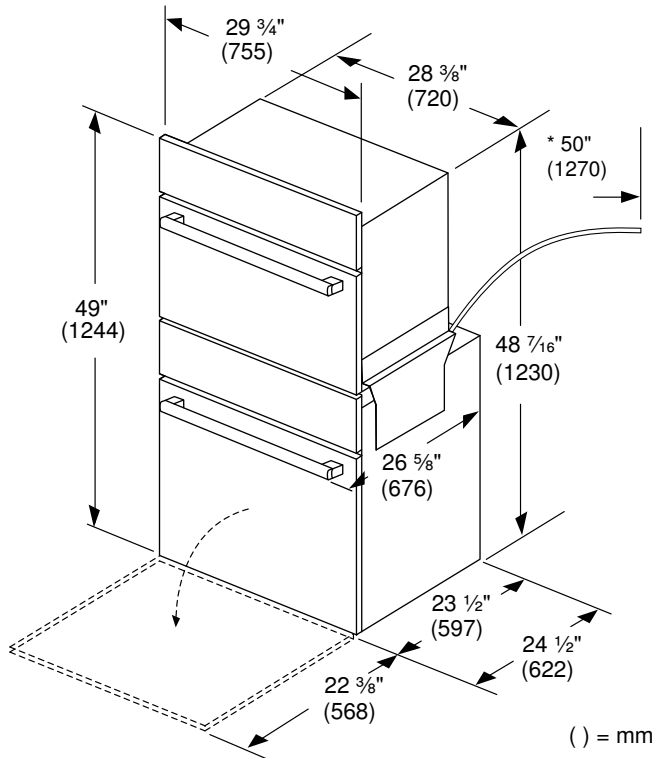
* Includes 3/4" (19 mm) base plate.

**For single ovens installed under a cabinet, the junction box should be located to the right or left of the unit within range of the power cord.

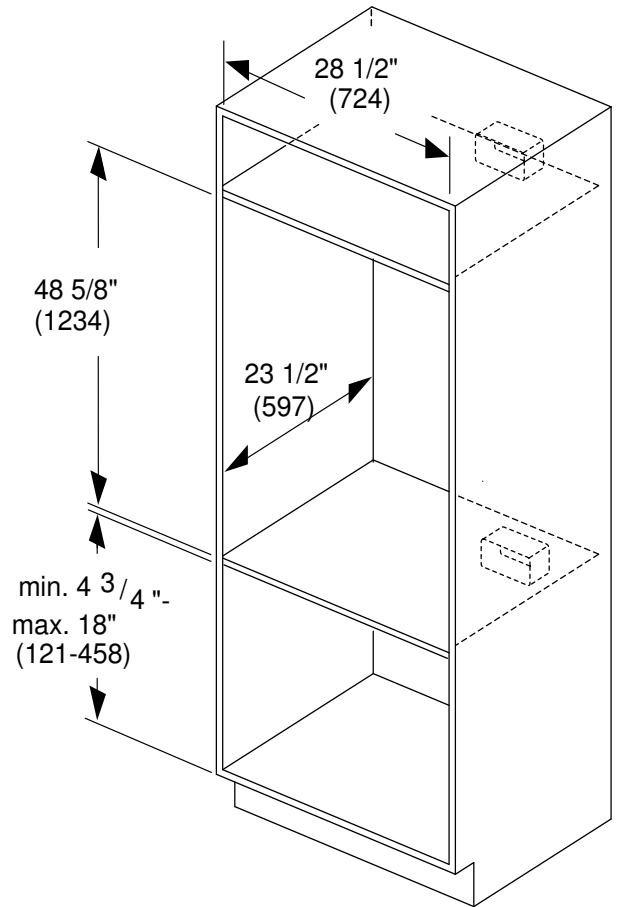
Dimensions for Combination Oven Units

The cabinet base must be flat and capable of supporting the weight of the combination oven up to 429 lbs (195 kg).

Combination Oven Appliance Dimensions



Combination Oven Traditional Installation

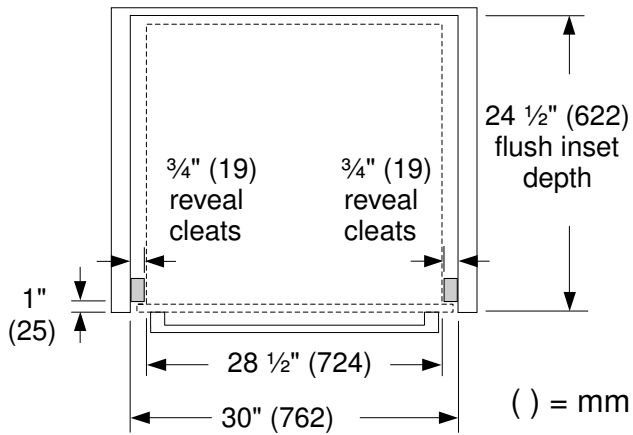


Note: Junction box may be installed above, below, to the left or to the right of the unit within reach of the power cord.

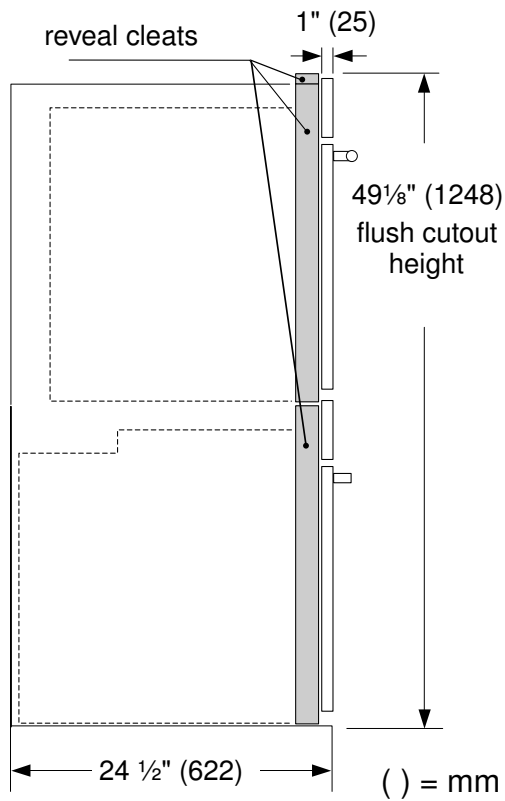
Combination Oven Flush Mount Installation

Flush installation requires two side cleats to be attached inside the cabinet frame, recessed from the front.

Top View



Side View



Electrical Installation - Grounding Instructions

The assembled combination oven should be moved in front of the cabinet opening and the power cable from the lower oven should be connected to the cabinet junction box.

All model ovens on the front cover of this installation instruction manual are dual rated, designed to be connected to either 208 or 240V AC, 60 Hz, 4 wire, single-phase power supply.

Model	Circuit Required
HBL8463UC HBL8443UC HBL8453UC	208V, 60 Hz/ 240V, 60 Hz 30 AMP
HBL8743UC HBL8753UC HBL87M53UC	208V, 60 Hz/ 240V, 60 Hz 40 AMP

The electrical supply should be a 4-wire single phase AC. Install a suitable conduit box (not furnished). An appropriately-sized, UL-listed conduit connector must be used to correctly attach the conduit to the junction box.

Note: Local codes may vary. Installation, electrical connections and grounding must comply with all applicable local codes.

If local codes permit grounding through the electrical supply neutral, connect both the white neutral wire and the green ground wire from the oven to the white neutral electrical supply wire.

Electrical Connection

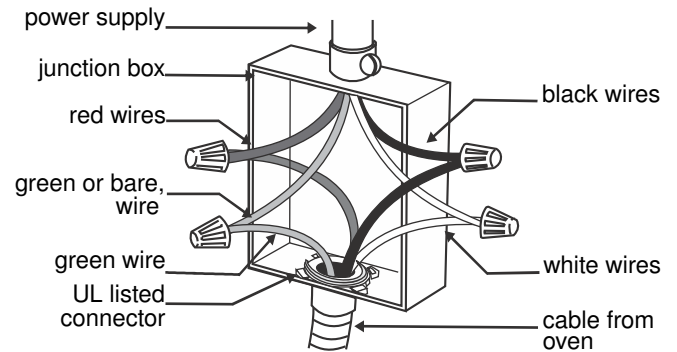
The four-wire connection is preferred, but where local codes permit, the three wire connection is also acceptable.

⚠ WARNING

When connected to a 4 or 5-wire, 120/208-Volt 3-phase power supply, the phase C conductor is not required for the operation of the appliance.

Four-wire Connection

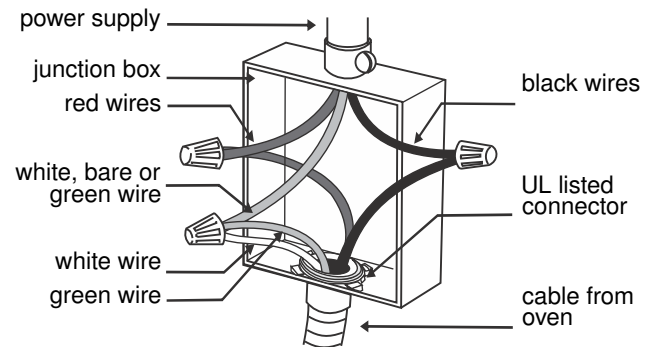
Ungrounded Neutral



- Connect the red oven wire to the red electrical supply wire (hot wire).
- Connect the black oven wire to the black electrical supply wire (hot wire).
- Connect the white neutral oven wire to the white neutral (not bare or green ground) electrical supply wire.
- Connect the green ground oven wire to the bare or green ground electrical supply wire.

Three-wire Connection

Grounded Neutral



- Connect red wire from oven to red wire in junction box.
- Connect black wire from oven to black wire in junction box.
- Connect both green ground wire and white wire from oven to white, green or bare neutral wire in junction box.

The conduit cable, where connected at the oven, swivels. Rotate conduit cable upward (or downward) and direct through hole prepared in cabinet to attach to junction box.

To maintain serviceability, the flex conduit must not be shortened and should be routed to permit temporary removal of the oven.

Oven Installation

NOTICE: Before installing the appliance, be sure to verify the cabinet dimensions and electrical connections.

For Best Installation

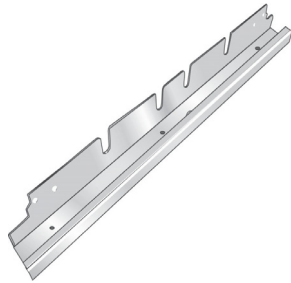
The oven can be difficult for two people to handle during installation. It is recommended to have three or more people available to assist with lifting the unit into place. Removal of the oven door during installation (to provide the necessary handholds and to significantly reduce the unit weight) can be cumbersome unless the detailed door removal instructions are followed carefully. Please take time to read and follow the instructions provided for an improved installation experience.

Pre-Assembly of the Combination Oven

Combination ovens require the oven and the microwave to be assembled prior to installing the combination unit into the wall cabinet.

Parts Provided

Universal connector bracket
(2):
in parts box on top of oven



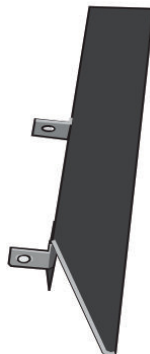
Screws (16):
in red bag inside parts box
on top of oven.



Oven Mounting Screws (8):
Screws are included to
secure the oven trim to the
cabinet. The screws are
located in a small plastic bag
affixed to the literature pack
bag.



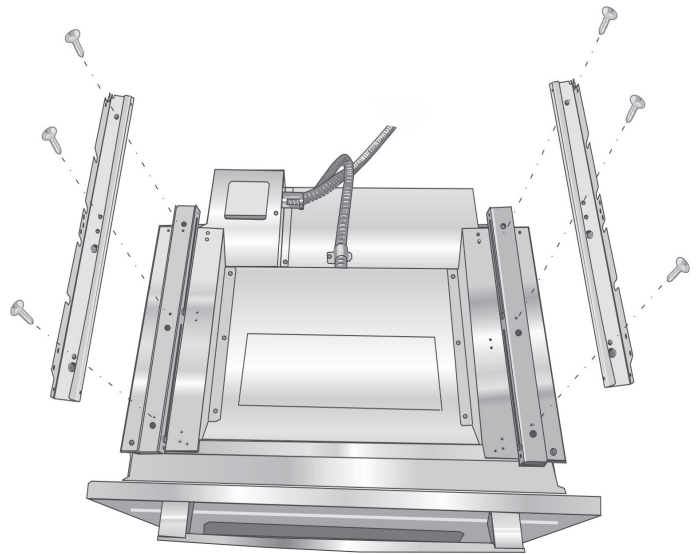
Trim Piece:
in plastic bag on top of oven.



Assembly of the two Oven Units

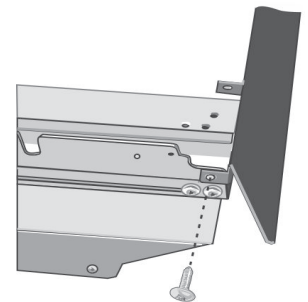
Notes

- Do not place the oven into the wall cabinet until after mounting the speed oven on top of the lower oven and securing it with the universal connector brackets.
 - The universal connector brackets are interchangeable for the left and right sides of the oven. Be sure the taller vertical edge of the bracket is positioned to the outside of the oven.
1. Install both universal connector brackets on top of the lower oven using six (6) of the screws provided. Tighten screws securely, but do not overtighten.



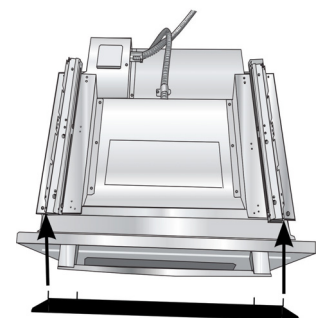
2. Install decorative trim.

Position the decorative trim piece so the flanges with the holes in them face to the rear of the oven.



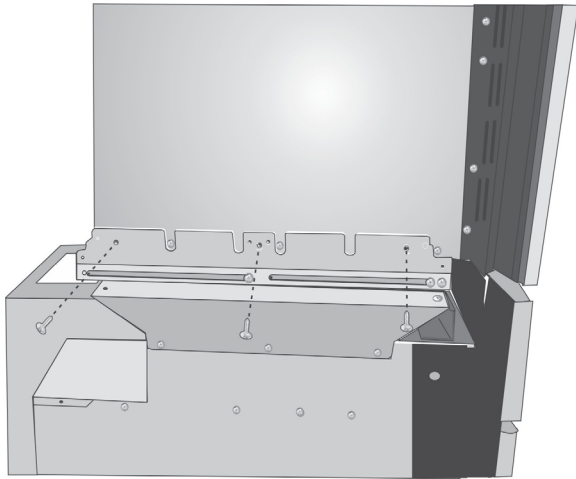
Align the outer flanges with the outside of the universal brackets. Fasten with one (1) screw each into the end hole of each universal bracket.

Tighten screws securely, but do not overtighten.



- Place the speed oven on top of the universal connector brackets and fasten in place using three (3) screws per side. Tighten the screw securely, but do not overtighten.

Note: The existing screws in the speed oven base help with alignment. When lowering the speed oven into place on the universal connector brackets, allow these screw heads to slide into the slots as shown in the illustration below. The screw nearest the front of the speed oven should slide into the base of the slope at the front of the bracket.



- Continue to “Connecting the Speed Oven Electrical Conduit to the Lower Oven”.

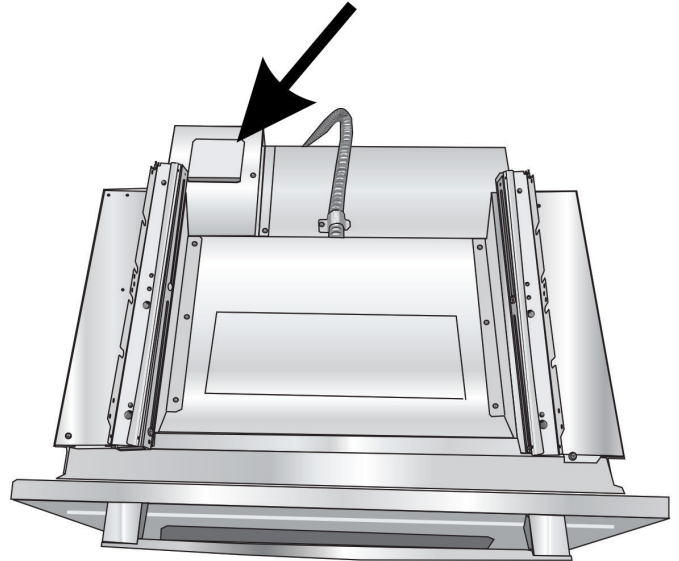
Connecting Speed Oven Electrical Conduit to Lower Oven

Note: When installing the combination unit, the power cable must be properly attached to the oven-mounted junction box. This must be done prior to supplying electrical power to the oven unit.

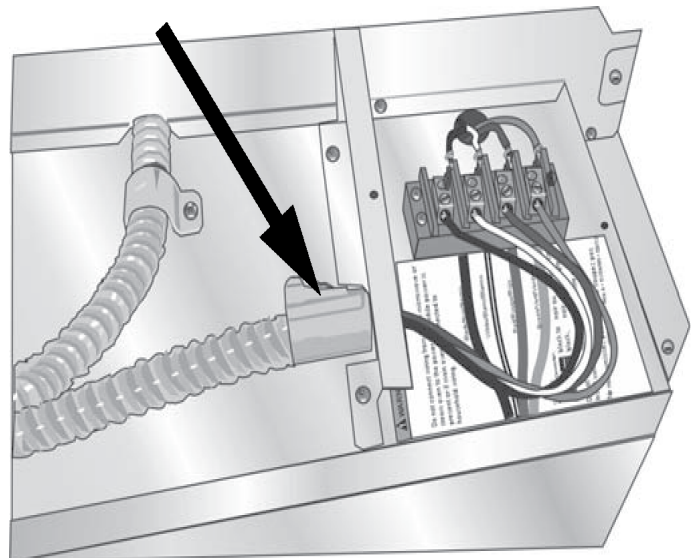
▲ WARNING

Check to be sure that no electrical power has yet been supplied to the oven.

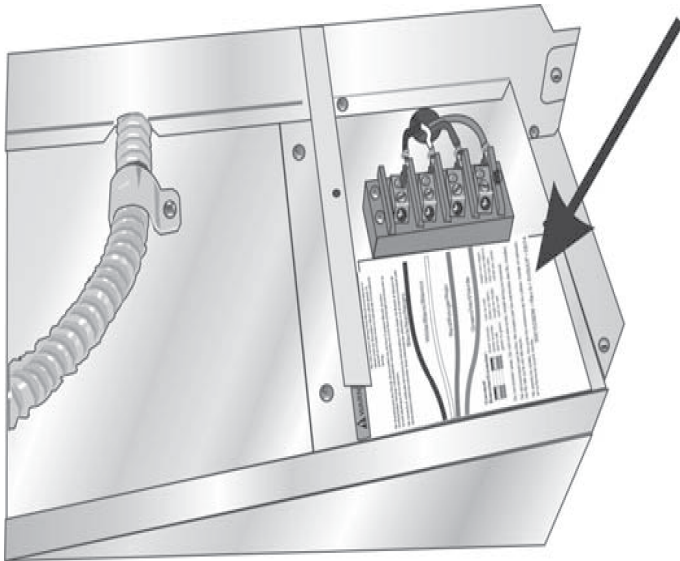
- Remove the oven-mounted junction box cover located on the top rear of the oven. (See image below).



- Remove the cap from the conduit access hole in the side of the oven-mounted junction box.
- Guide the wires from the conduit cable coming from the speed oven through the hole in the oven-mounted junction box. There are four wires coming from the speed oven.



4. Snap the conduit connector into the hole by pressing it in until it clicks into place.
5. Follow the wiring diagram label and match and connect each wire by color to the wires attached to the wiring block inside the oven-mounted junction box. Push the bare end of the wire until it is snug in the wiring block then tighten down the retaining screw on each wire.
Tighten securely, but do not overtighten.
See previous illustration in Step 3 for finished appearance.



6. Replace the oven-mounted junction box cover and tighten the two screws holding it in place.
Tighten securely, but do not overtighten.

Remove Oven Door Prior to Installation

It is recommended to remove the conventional (lower) oven door to help reduce the unit weight.

NOTICE: Do not remove the speed oven door.

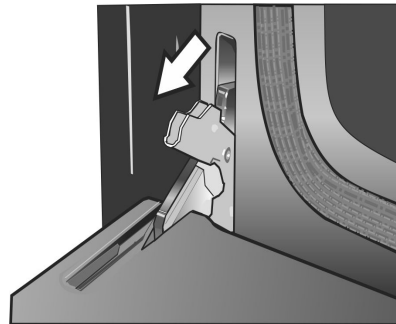
How to Remove the Oven Door

▲ WARNING

- Make sure oven is cool and power to the oven has been turned off before removing the door. Failure to do so could result in electrical shock or burns.
- The oven door is heavy and parts of it are fragile. Use both hands to remove the oven door. The door front is glass. Handle carefully to avoid breakage.
- Grasp only the side of the oven door. Do not grasp the handle as it may swing in your hand and cause damage or injury.
- Failure to grasp the oven door firmly and properly could result in personal injury or product damage.
- To avoid injury from hinge bracket snapping closed, be sure both levers are securely in place before removing the door. Also, do not force door open or closed-the hinge could be damaged and injury could result.
- Do not lay removed door on sharp or pointed objects as this could break the glass. Lay on a flat, smooth surface, positioned so that the door cannot fall over.

To help avoid injury or damage, be sure to read the above WARNING before attempting to remove the oven door.

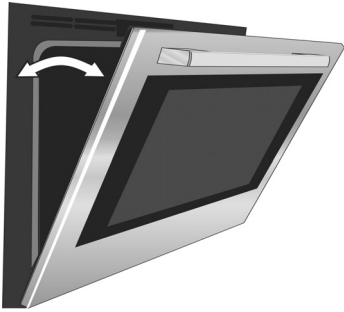
1. Open the oven door to its fully open position.
2. Flip levers on hinges toward you.



Note: It may be necessary to use a tool, such as a screwdriver, to gently pry the upper part of the lever away from the housing. Take care to avoid scratching the housing.

3. Bring both door hinge levers to their fullest down position as shown in the illustration. The left and right door hinges differ slightly but operate in the same manner.

4. Close the oven door until it catches on the hinge stop levers, locking the hinges at the proper angle for door removal. The door will be open about 7 inches at the top. This takes the spring tension off the hinges so the door can be easily lifted out.

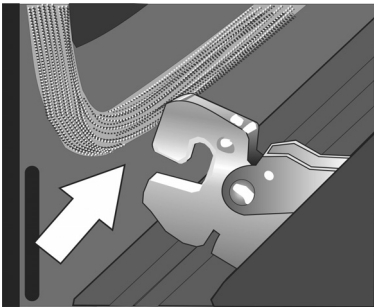


CAUTION

PINCH HAZARD

Closing the door 7" takes the pressure off of the spring. If this isn't done, the door can still be removed but the latch will now slam shut and will pinch or cut your hand.

5. The door is heavy. Use both hands to firmly grip it by the sides. Do not grip the door by the handle. Maintaining the door angle, lift the door straight up approximately 3/4" to unhook the hinges from the slots and then pull it out towards you until the hinges are clear of the oven housing.



6. Place the door in a convenient and stable location for cleaning.

Installing the Oven into the Cabinet

CAUTION

It is recommended to wear gloves and long sleeves to protect hands and forearms from abrasion and potential scratches during the lifting process. It is also recommended to take off watches and jewelry and to wear work shoes during installation for foot protection.

CAUTION

Three people or proper equipment are needed to safely lift the combination oven into the cabinet opening.

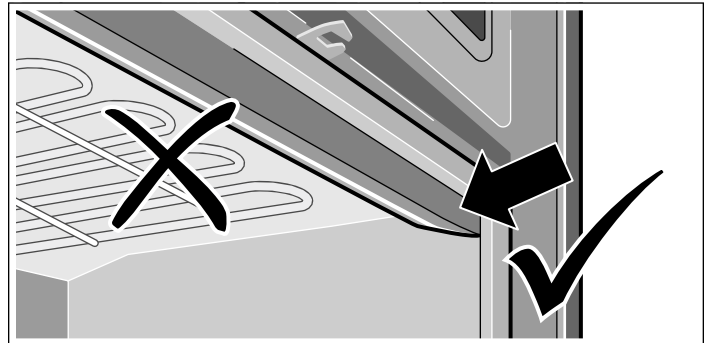
NOTICE: To avoid damage to the door, do not lift, pull or push the unit during installation by using any oven door handle as a gripping point.

Lifting Recommendations

There is a ridge across the top front of the oven cavity. Lift by grasping this ridge with one hand while placing the other hand on the back of the unit (for helpers lifting from the sides of the unit). If a third helper is lifting from the front, both hands should lift by holding this ridge area.

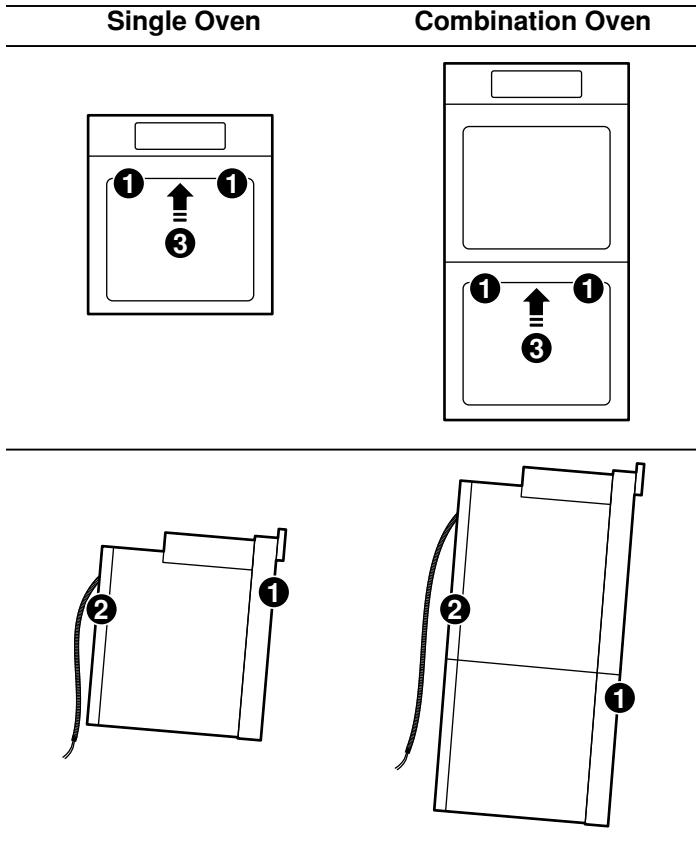
CAUTION

DO NOT attempt to lift the unit by holding the oven's upper heating element.



Proceed to lift the oven following the guidelines below with the door removed:

- Lift points (1) on the front of the unit are for lifting from the sides of the unit. Lift point (3) on the front of the unit is for a third person to help lift the unit.
- Lift point (2) on the back of the unit shows the location of the opposite hand for the helpers lifting from the sides of the unit. Adjust the location as needed to facilitate the lift.



Placing Oven Into Cabinet Opening

1. The unit and its bottom packaging (pallet) should be positioned close to and in front of the cabinet opening prior to beginning to lift the unit into place.
2. Lift or slide unit into the cabinet cutout without allowing the unit base to contact the flooring.
3. Guide the unit straight back into the cabinet cutout. Push the unit straight in until the oven trim is about 2 inches from being flush with cabinet wall.

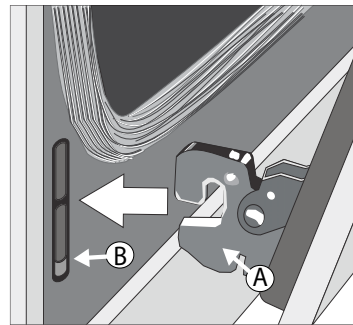
Note: Be careful not to crimp the flexible conduit between the oven and the cabinet back wall. If necessary, guide the flexible conduit into the wall of cabinet access hole so it doesn't prevent the unit from being pushed all the way into the cabinet opening. The oven should be straight and level.

4. Push the unit all the way back into the cabinet cutout until the front edge of the unit is flush with the front of the cabinet.

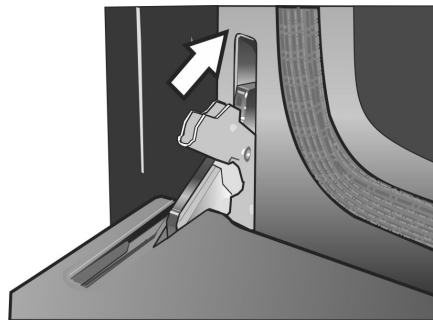
5. Install the supplied screws through the tap holes in the trim (2 screws for single ovens, 4 screws for combination ovens). It is recommended to drill pilot holes for the trim screws.
To ensure the door and oven function properly, the screws should be installed on the face of the side trim.
6. Replace the oven door accordingly. See "Re-Install the Oven Door".

How to Replace the Oven Door

1. Holding the door firmly in both hands, grip it on either side, not by the handle.
2. Tilt the door back slightly towards you until it opens about 7 inches at the top.
3. Slide the hinges into the slots as far as they will go and then lower the door straight down. The angle of the door may need to be adjusted slightly to allow the hinges to engage properly and the door to lower into place. The door should lower about 3/4" and stop. If not, the hinges have not engaged properly and the door could fall if it is released.



4. Once both hinges are fully engaged as described in Step 3, gently open the door until it is fully open.
5. Push the levers on both the hinges up and forward until they are locked into the slot and flush with the front of the oven body.



6. Close and open the door slowly to be sure it is correctly and securely in place.

Testing Operation

1. Turn on power at the breaker.
2. Test the oven mode.
Select the BAKE mode. See the Use and Care Manual for detailed operation instructions.
3. Verify that the oven light comes on and the oven begins to preheat.

4. Test the door lock.
Set the SELF CLEAN mode. Confirm that the door locks when the lock icon appears in the display.
5. If any of the tests do not result as explained above, contact Customer Service for assistance. Otherwise, the installation is complete at this time.

Bosch® Support

Before Calling Service

See the Use and Care Manual for troubleshooting information. Refer to the “Statement of Limited Product Warranty” in the Use and Care Manual.

To reach a service representative, see the contact information at the front of the manual or in the following section. Please be prepared with the information printed on your product rating label prior to calling.

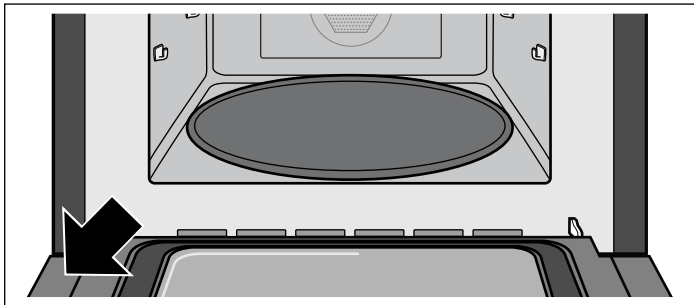
Rating Label

Each component of a combination oven has its own rating label.

The rating label shows the model, FD number and serial number. Refer to the rating label when requesting service. The rating label location varies based on the oven model.

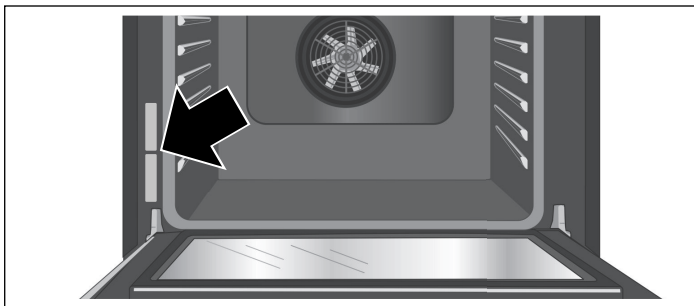
Rating Label Location Speed Oven

The rating label of the speed oven is located at the inside of the appliance door.



Rating Label Location Conventional Oven

The rating label of the conventional (lower) oven is located at the left hand side of the door trim.



To avoid having to search for each piece of information when calling, you can enter the four items needed in the spaces provided below.

Conventional Oven

Model No.

FD-No.

Speed Oven

Model No.

FD-No.

Date of Purchase

Customer Service ☎

Keep your invoice or escrow papers for warranty validation if service is needed.

Service

We realize that you have made a considerable investment in your kitchen. We are dedicated to supporting you and your appliance so that you have many years of creative cooking.

Please don't hesitate to contact our Customer Support Department if you have any questions or in the unlikely event that your Bosch® appliance needs service. Our service team is ready to assist you.

USA

800-944-2904

www.bosch-home.com/us/support

Canada

800-944-2904

www.bosch-home.ca/en/support

Parts and Accessories

Parts, filters, descalers, stainless steel cleaners and more can be purchased in the Bosch® eShop or by phone.

USA

www.bosch-home.com/us/store

Canada

Marcone 800-482-6022

or

Reliable Parts 800-941-9217

Table des matières

▲ Définitions de sécurité	19	Dimensions de l'appareil et de la découpe des armoires	24
IMPORTANTES CONSIGNES DE SÉCURITÉ	20	Dimensions pour les fours simples	24
Sécurité de manutention des appareils	20	Dimensions des modules de fours combinés	25
Codes et normes de sécurité	20	Raccordement électrique : directives de mise à la terre	27
Sécurité électrique	20	Raccordement électrique	27
Sécurité apparentée concernant l'équipement	21	Raccordement à quatre fils	27
Avertissement issu de la proposition 65	21	Raccordement à trois fils	27
Transport	21	Installation du four	28
Fours combinés Bosch	22	Pour une installation optimale	28
Avant de commencer	22	Pré-assemblage de four combiné	28
Outils et pièces nécessaires	22	Retrait de la porte du four avant installation	30
Pièces comprises	22	Installation du four dans l'armoire	31
Exigences électriques et mise à la terre	22	Remontage de la porte du four	32
Pour de meilleurs résultats d'installation	22	Opération d'essai	33
Liste de vérification	22	Soutien Bosch®	33
Retrait de l'emballage	23	Avant d'appeler le service de réparations	33
Fours intégrés :	23	Plaque signalétique	33
Fours combinés :	23	Service	33
Retrait des brides d'emballage – côtés gauche et droit	23	Pièces et accessoires	33
Préparation des fours	23		

Cet appareil électroménager Bosch est fabriqué par
BSH Home Appliances Corporation
1901 Main Street, Suite 600
Irvine, CA 92614

Vous avez des questions?

1 800 944-2904

www.bosch-home.com/us

Nous nous ferons un plaisir de vous servir!

Définitions de sécurité

AVERTISSEMENT

Ceci indique que le non-respect de cet avertissement peut entraîner des blessures graves, voire la mort.

ATTENTION

Ceci indique que le non-respect de cet avertissement peut entraîner des blessures légères ou de gravité moyenne.

AVIS : Ceci indique que la non-conformité à cet avis de sécurité peut entraîner des dégâts matériels ou endommager l'appareil.

Remarque : Ceci vous signale des informations et/ou indications importantes.

⚠ **IMPORTANTES CONSIGNES DE SÉCURITÉ**

LIRE ET CONSERVER CES INSTRUCTIONS

IMPORTANT : CONSERVEZ CES CONSIGNES À L'INTENTION DE L'INSPECTEUR EN ÉLECTRICITÉ.

INSTALLATEUR : PRIÈRE DE LAISSER CES INSTRUCTIONS D'INSTALLATION AVEC CET APPAREIL À L'INTENTION DU PROPRIÉTAIRE.

PROPRIÉTAIRE : PRIÈRE DE CONSERVER CES INSTRUCTIONS POUR POUVOIR VOUS Y RÉFÉRER ULTÉRIEUREMENT.

AVERTISSEMENT

Si l'information de ce guide n'est pas suivie exactement, il peut en résulter un incendie ou un choc électrique causant des dommages à la propriété, des blessures ou la mort.

AVERTISSEMENT

Ne réparez, remplacez, ni ne retirez aucune partie de l'appareil, excepté si les manuels recommandent de le faire. Une installation, un entretien ou une inspection incorrects peuvent occasionner des blessures ou des dommages matériels. Reportez-vous au présent manuel pour obtenir des indications. Toute autre intervention doit être effectuée par un technicien agréé.

Sécurité de manutention des appareils

ATTENTION



- L'appareil est lourd et son déplacement exige au moins deux personnes ou encore un équipement approprié.
- Il est recommandé de faire intervenir trois personnes ou plus pour aider à soulever les fours doubles ou triples afin de les mettre en place.
- Ne pas soulever l'appareil électroménager par la poignée de porte.
- Les surfaces cachées peuvent comporter des arêtes vives. Redoubler de vigilance quand vous passez la main derrière ou sous l'appareil électroménager.

Codes et normes de sécurité

Cet appareil est conforme aux plus récentes versions de l'une ou plus des normes suivantes :

- CAN/CSA C22.2 No. 61 - Cuisinières pour usage ménager (Household Cooking Ranges)
- UL 858 - Cuisinières électriques domestiques (Household Electric Ranges)
- CAN/CSA C22.2 No. 150 - Fours à micro-ondes (Microwave Ovens)
- UL 923 - Appareils de cuisson à micro-ondes (Microwave Cooking Appliances)
- CSA C22.2 No. 64 - Appareils de cuisson domestique et de chauffage des liquides (Household Cooking and Liquid-Heating Appliances)
- UL 1026 - Appareils électriques domestiques pour la cuisson et la préparation des aliments (Electric Household Cooking and Food Serving Appliances)

Il incombe au propriétaire et à l'installateur de déterminer si des exigences et/ou normes additionnelles s'appliquent pour des installations spécifiques.

Sécurité électrique

Avant de brancher le cordon électrique, vérifier que toutes les commandes sont à la position OFF (Arrêt). S'il y a lieu, conformément au Code national de l'électricité (ou au Code canadien de l'électricité), cet appareil doit être installé sur un circuit de dérivation séparé.

Installateur : indiquez au propriétaire l'emplacement du disjoncteur ou du fusible. Identifiez sa position pour pouvoir le retrouver facilement.

Important : Conservez ces consignes à l'intention de l'inspecteur local en électricité.

Avant l'installation, coupez l'alimentation au panneau de service. Verrouillez le panneau de service pour empêcher que l'alimentation ne soit rétablie par accident. Consultez la plaque signalétique pour de plus amples renseignements. Consultez la section « Plaque signalétique » dans « Réparation » pour l'emplacement de la plaque signalétique.

Assurez-vous que l'appareil est correctement installé et mis à la terre par un technicien qualifié. L'installation, les raccordements électriques et la mise à la terre doivent être conformes avec tous les codes en vigueur.

⚠ **IMPORTANTES CONSIGNES DE SÉCURITÉ**

LIRE ET CONSERVER CES INSTRUCTIONS

Sécurité apparentée concernant l'équipement

Retirer le ruban adhésif et l'emballage avant d'utiliser l'appareil. Détruire l'emballage après avoir déballé l'appareil. Ne jamais laisser les enfants jouer avec les matériaux de conditionnement.

Ne jamais modifier ni altérer la configuration de l'appareil. Par exemple, ne pas retirer les pieds de nivellement, les panneaux, les couvercles de câblage ou les fixations/vis antibasculement.

Avant d'allumer l'appareil, retirez tout matériel d'emballage ou pellicule adhésive du compartiment de cuisson et de la porte.

Avertissement issu de la proposition 65 :

Ce produit pourrait contenir un produit chimique reconnu par l'État de la Californie comme cancérigène ou ayant des effets nocifs sur la reproduction. Par conséquent, l'emballage de votre produit pourrait porter l'étiquette suivante, comme requis par la Californie :

AVERTISSEMENT ISSUE DE LA PROPOSITION 65 DE L'ÉTAT DE LA CALIFORNIE :

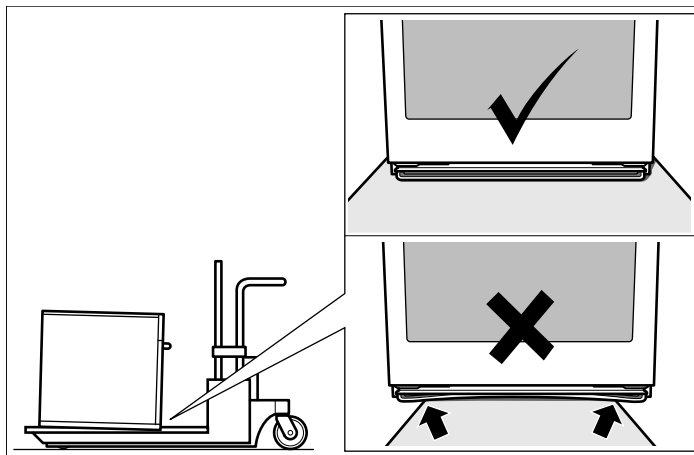


AVERTISSEMENT

Cancer et dommages à la reproduction -
www.P65Warnings.ca.gov

Transport

Pour éviter tout dommage à l'événement du four, utiliser la méthode de transport illustrée ci-dessous.



Fours combinés Bosch

Les fours combinés **HBL8743UC**, **HBL8753UC** et **HBL87M53UC** de Bosch sont vendus en ensembles, qui comprennent tous deux modules de four intégrés : un four mural traditionnel (four inférieur) et un four à cuisson rapide ou un four à micro-ondes (four supérieur).

- Pour faciliter l'installation et améliorer l'alignement, les modules de four sont assemblés chez le consommateur plutôt qu'à l'usine.
- Chaque module est emballé dans une boîte différente qui est ensuite attachée à l'autre avant l'expédition.
- Les fours combinés indiqués ici sont approuvés pour être utilisés dans une seule découpe, en utilisant un seul raccordement électrique.

- Chaque module de four traditionnel est conçu avec une boîte de raccordement installée sur le dessus du four, qui est utilisée pour le branchement du câble d'alimentation du four supérieur.
- La quincaillerie requise pour installer le four à cuisson rapide au-dessus du four traditionnel se trouve dans la cavité du four traditionnel.
- Chaque module de four possède sa propre étiquette de cote qui comporte son propre numéro de modèle, numéro FD, etc.

Avant de commencer

Outils et pièces nécessaires

- Tournevis à tête Phillips
- Tournevis à tête en étoile (T20)
- Ruban à mesurer
- Perceuse avec mèche (1/8 po)
- Gants
- Couteau utilitaire

Pièces comprises

Vis cruciforme (6).

Exigences électriques et mise à la terre

La prise de courant doit être correctement mise à la terre selon tous les codes applicables.

Pour de meilleurs résultats d'installation

Le four peut être difficile à manipuler par deux personnes pendant l'installation. Il est recommandé de faire intervenir trois personnes ou plus pour aider à soulever l'appareil afin de le mettre en place.

Le démontage de la porte du four au cours de l'installation (pour fournir les prises nécessaires et réduire le poids de l'appareil) peut s'avérer pénible à moins de suivre à la lettre les instructions détaillées de démontage de la porte. Ne pas essayer d'enlever la porte du four à cuisson rapide.

Veuillez prendre le temps de lire et de respecter les instructions fournies pour une meilleure expérience d'installation.

Liste de vérification

Utilisez cette liste de vérification pour confirmer que vous avez terminé chaque étape du processus d'installation. Cela peut vous aider à éviter de commettre des erreurs.

- Avant d'installer le four, prenez bien soin de vérifier que les dimensions de l'armoire sont correctes et que les raccordements électriques requis sont présents.
- Consultez ce manuel pour prendre connaissance des informations supplémentaires sur la sécurité, les dimensions des armoires, le retrait de l'emballage, les raccords électriques, les tests effectués sur l'installation et le service après-vente.
- Retirez la porte du four inférieur pour réduire le poids de l'appareil et fournir l'accès aux prises nécessaires pour le soulèvement. Consultez la section « Retrait de la porte du four inférieur avant l'installation ».
- Déplacez les unités du four et les placer devant l'ouverture de l'armoire, en laissant la partie inférieure de l'emballage des unités intacte pour éviter d'endommager le revêtement de sol.
- Dévissez les vis à empreinte cruciforme (tournevis T-20) qui maintiennent le four micro-onde à cuisson rapide au fond de la boîte.
- Assemblez les deux unités du four combiné. Consultez la section « Pré-assemblage de four combiné ».
- Raccordez le câble d'alimentation du four inférieur à la boîte de raccordement de l'armoire.
- Dévissez les vis à empreinte cruciforme (tournevis T-20) qui maintiennent le four inférieur au fond de la boîte.
- Soulevez l'appareil à plusieurs pour le mettre en place directement dans la découpe de l'armoire en veillant à ne pas vous pincer les doigts ni vous écorcher les mains ou les bras.
- Faites glisser l'unité jusqu'au fond pour bien l'encasturer.

- Fixez l'appareil à l'ouverture de l'armoire à l'aide des vis fournies avec un tournevis Phillips.
- Remettez en place la porte du four que vous avez retirée à l'étape 3 ci-dessus.
- Consultez les directives d'installation dans leur intégralité et respectez le restant des procédures présentées, y compris l'exécution d'un test de fonctionnement.
- INSTALLATEUR – Laissez la documentation et les accessoires à la disposition du client.

Retrait de l'emballage

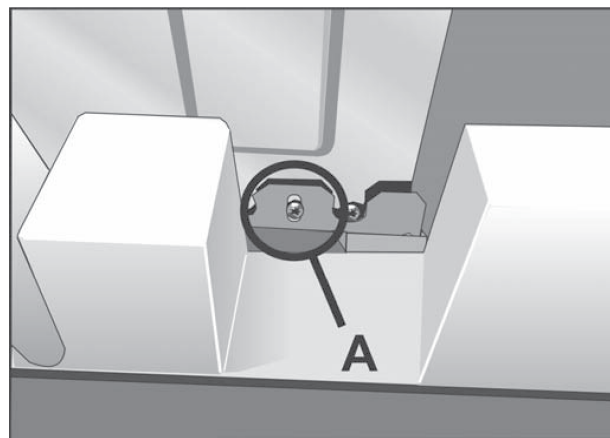
Fours intégrés :

1. Coupez les sangles.
2. Ouvrez le dessus de la boîte et retirez le cadre de bois supérieur.
3. Faites glisser la boîte vers le haut, par-dessus l'appareil, pour l'enlever ou coupez délicatement le long de la ligne pointillée du côté gauche arrière avec une lame de moins de 3/4 po, puis retirez la boîte.
4. Retirez délicatement l'emballage protecteur interne en prenant soin de retenir tout accessoire libre et les modes d'emploi.
5. Le cas échéant, retirez le ou les équerres qui fixent solidement l'appareil au socle.
6. L'unité doit rester sur le socle d'emballage jusqu'à ce qu'elle soit prête à être extraite et placée dans l'ouverture de l'armoire.
7. Installez l'appareil électroménager selon les directives d'installation.

Fours combinés :

1. Coupez les sangles et retirez les cornières ou les protecteurs de sangles du dessus de la boîte.
2. Ouvrez le dessus de la boîte.
3. Faites glisser la boîte vers le haut, par-dessus l'appareil, pour l'enlever ou coupez délicatement le long de la ligne pointillée du côté gauche arrière avec une lame de moins de 3/4 po, puis retirez la boîte.
4. Retirez délicatement la boîte du four micro-ondes ou à vapeur sur le dessus de la boîte inférieure et déposez-la sur le sol.
5. Respectez les directives des boîtes intérieures qui expliquent le retrait du reste de l'emballage.

Retrait des brides d'emballage – côtés gauche et droit



Remarque : Les brides réelles peuvent être différentes. La bride reste dans le socle d'emballage. L'unité doit rester sur le socle d'emballage jusqu'à ce qu'elle soit prête à être extraite et placée dans l'ouverture de l'armoire ou sur le four inférieur.

Préparation des fours

Placez les fours devant l'armoire où ils doivent être installés de sorte qu'ils soient dans l'alignement de l'ouverture de l'armoire.

Vérifiez que tout le matériel d'emballage a été retiré de l'unité. Retirez également les accessoires, les grilles de four, la pochette de documentation et tout matériel d'expédition se trouvant à l'intérieur de la cavité du four. Vérifiez les deux fours pour l'installation d'un four double ou d'un four combiné.

Dimensions de l'appareil et de la découpe des armoires

Lors de l'installation du four à l'extrémité d'une série d'armoires, en position adjacente par rapport à un mur ou à une porte d'armoire perpendiculaire, il est bon de laisser un espace d'au moins 6,4 mm (1/4 po) entre le côté du four et le mur ou la porte.

Installez des planches de 5,1 cm (2 po) sur 10,2 cm (4 po) qui s'étendent d'avant en arrière et qui sont de niveau avec le fond et le côté de l'ouverture pour servir de support au four. Cette base de support doit être bien fixée au sol ou à l'armoire et doit être de niveau.

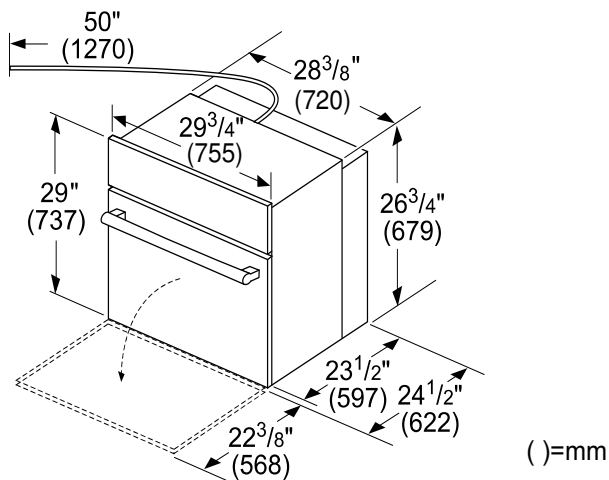
Les boîtes de raccordement peuvent être situées n'importe où, à la portée du câble d'alimentation du four.

La cavité de l'armoire doit être plate et capable de supporter le poids du four combiné qui est d'au moins 195 kg (429 lb).

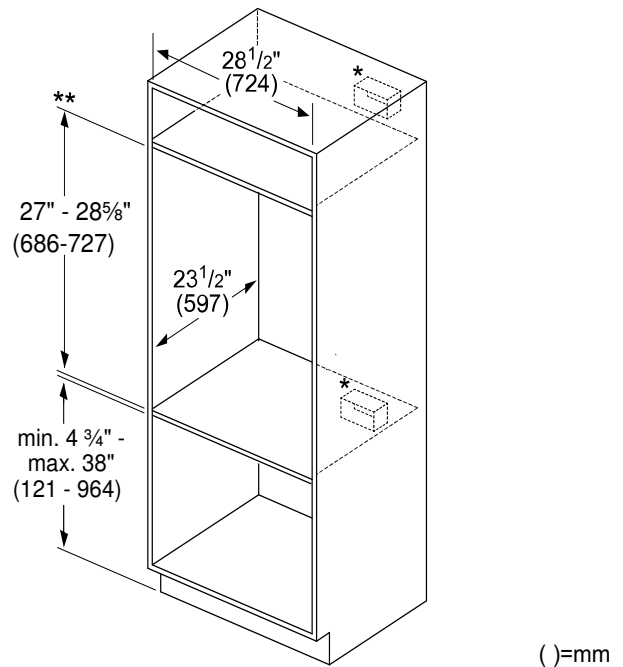
Dimensions pour les fours simples

La base du caisson de l'armoire doit être plane et prendre en charge un poids d'au moins 232 lb (105 kg). Les dimensions sous le four sont fournies à titre de ligne directrice générale et peuvent être ajustées pour s'adapter à un besoin particulier. Consultez un professionnel en design pour optimiser les préférences personnelles.

Dimensions du four simple



Installation murale d'un four simple



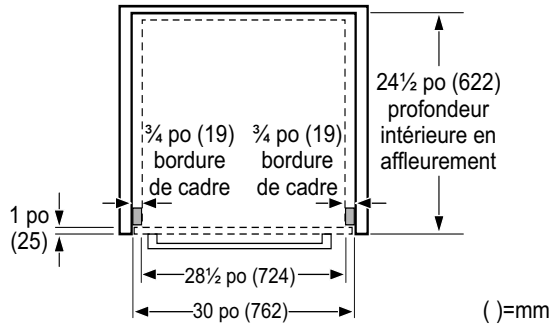
*Pour les fours simples installés dans une armoire murale, la boîte de raccordement peut être située au-dessus, dessous, à gauche ou à droite de l'appareil, à portée du cordon d'alimentation.

**Pour les fours installés dans une armoire murale, le chevauchement du panneau de commandes est d'au moins 3/8 po (10 mm) à 2 po max. (51 mm).

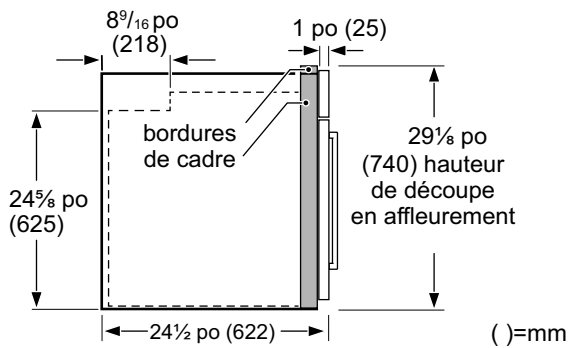
Installation murale affleurante d'un four simple

Pour une installation affleurée, il est nécessaire de fixer deux cales latérales à l'intérieur du cadre de l'armoire, décalées de l'avant.

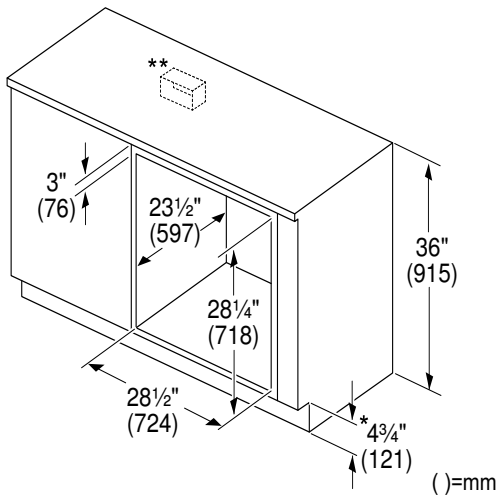
Vue de dessus



Vue latérale



Installation sous le plan de travail



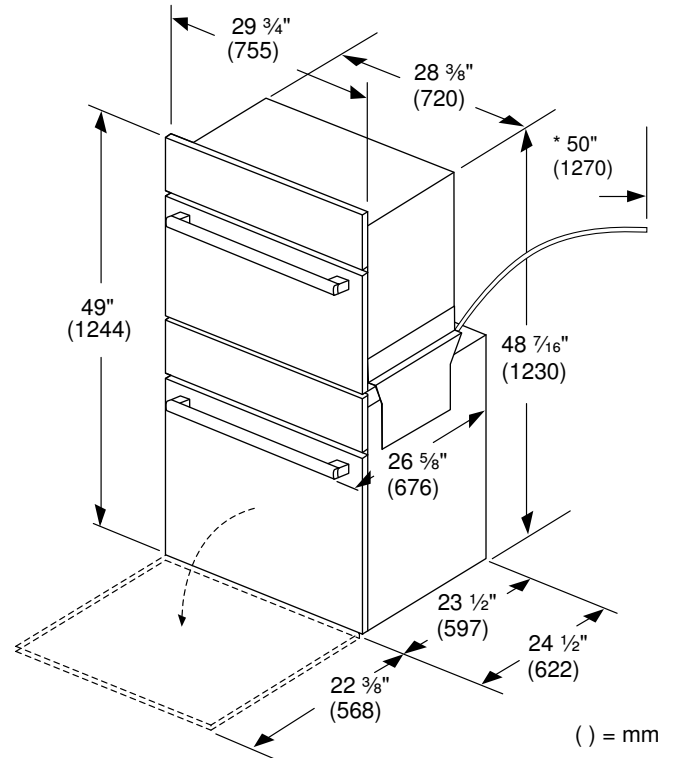
* Comprend un socle de 3/4 po (19 mm).

***Pour les fours simples installés sous une armoire, la boîte de raccordement doit être située à gauche ou à droite de l'appareil, à portée du cordon d'alimentation.

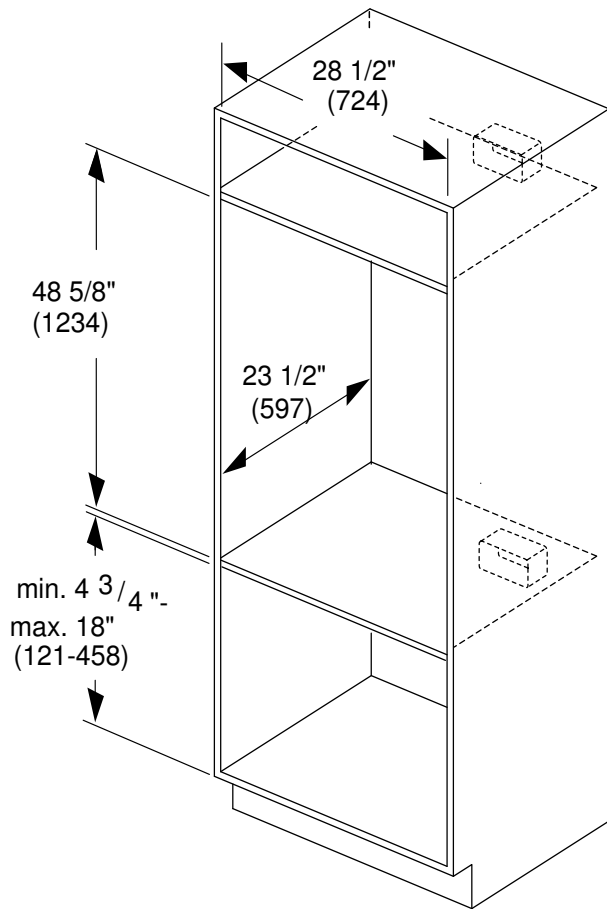
Dimensions des modules de fours combinés

La base de l'armoire doit être plane et capable de supporter le poids du four combiné d'au moins 429 lb (195 kg).

Dimensions du four combiné



Installation traditionnelle d'un four combiné

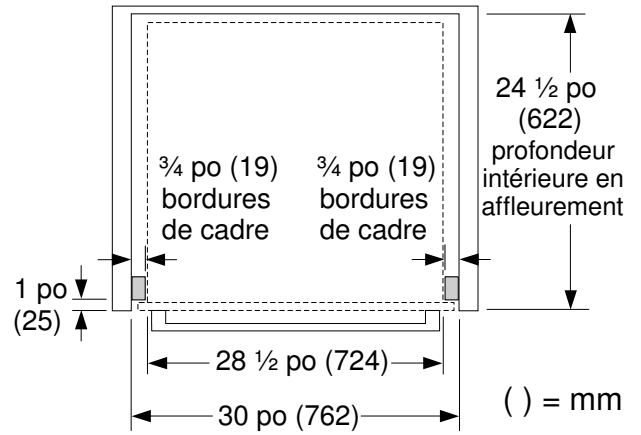


Remarque : La boîte de raccordement peut être située au-dessus, dessous, à gauche ou à droite de l'appareil, à portée du cordon d'alimentation.

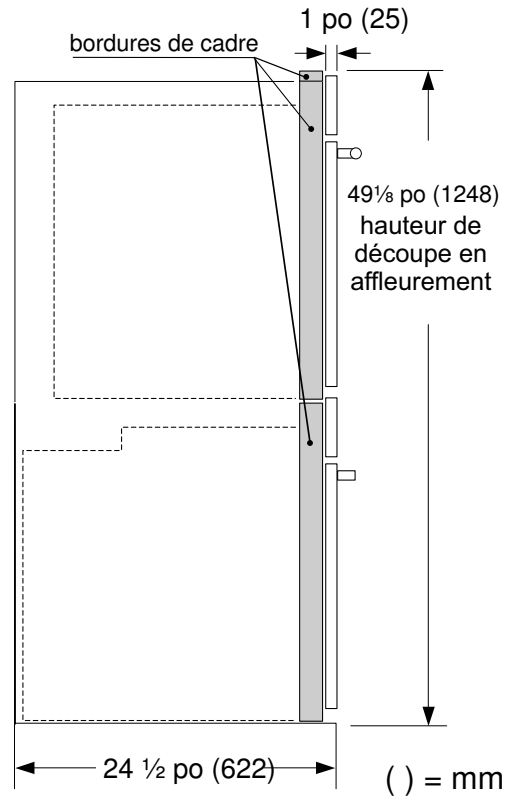
Installation murale affleurante d'un four combiné

Pour une installation affleurée, il est nécessaire de fixer deux cales latérales à l'intérieur du cadre de l'armoire, décalées de l'avant.

Vue de dessus



Vue latérale



Raccordement électrique : directives de mise à la terre

Le four combiné assemblé doit être déplacé devant l'ouverture de l'armoire et le câble d'alimentation du four inférieur doit être branché à la boîte de raccordement de l'armoire.

Tous les modèles de four mentionnés sur la couverture avant du présent manuel d'installation sont à double intensité et conçus pour être raccordés à une alimentation électrique monophasée à 4 fils de 208 ou 240 V c.a., 60 Hz.

Modèle	Circuit requis
HBL8463UC	208 V, 60 Hz/240 V, 60 Hz 30 A
HBL8443UC	
HBL8453UC	
HBL8743UC	208 V, 60 Hz/240 V, 60 Hz 40 A
HBL8753UC	
HBL87M53UC	

L'alimentation électrique doit être un courant alternatif monophasé à 4 fils. Installez une boîte de dérivation appropriée (non fournie). Un raccord de conduit homologué UL de calibre approprié doit être utilisé pour fixer correctement le conduit à la boîte de jonction.

Remarque : Les codes locaux peuvent varier. L'installation, les raccordements électriques et la mise à la terre doivent être conformes à tous les codes locaux en vigueur.

Si les codes locaux autorisent la mise à la terre au moyen d'un point neutre d'alimentation électrique, raccordez à la fois le fil neutre blanc et le fil de terre vert du four au fil d'alimentation électrique neutre blanc.

Raccordement électrique

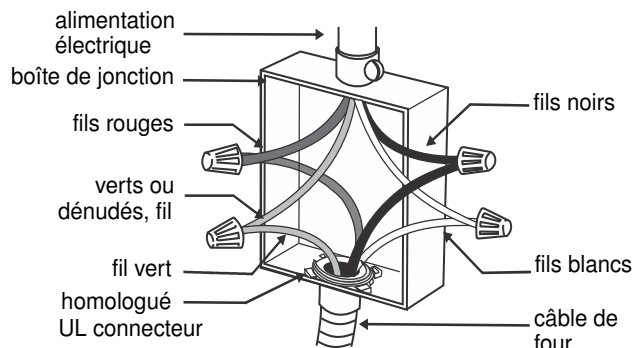
La connexion de circuit terminal à 4 fils est recommandée, mais là où les codes le permettent, la connexion à 3 fils est acceptable.

▲ AVERTISSEMENT

Pour un raccordement à une source d'alimentation triphasée de 120/208 V à 4 ou 5 fils, le conducteur de phase C n'est pas requis pour faire fonctionner l'appareil.

Raccordement à quatre fils

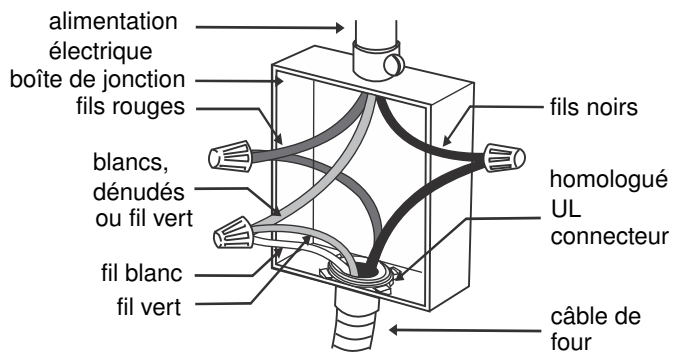
Neutre non mis à la terre



- Raccordez le fil rouge du four au fil d'alimentation électrique rouge (fil sous tension).
- Raccordez le fil noir du four au fil d'alimentation électrique noir (fil sous tension).
- Raccordez le fil neutre blanc du four au fil d'alimentation électrique neutre blanc (pas au fil de mise à la terre nu ou vert).
- Raccordez le fil de mise à la terre vert du four au fil de mise à la terre nu ou vert de l'alimentation électrique.

Raccordement à trois fils

Neutre mis à la terre



- Raccordez le fil rouge du four au fil rouge dans la boîte de raccordement.
- Raccordez le fil noir du four au fil noir dans la boîte de raccordement.
- Branchez le fil vert de mise à la terre et le fil blanc du four au fil blanc, vert ou dénudé mis à la terre dans la boîte de raccordement.

Le câble de raccordement, au niveau du four, pivote. Faites pivoter le câble de raccordement vers le haut (ou vers le bas) et faites passer celui-ci à travers le trou préparé dans l'armoire pour le fixer à la boîte de raccordement.

Pour faciliter l'entretien, le conduit flexible ne doit pas être raccourci et doit être acheminé de manière à faciliter le déplacement provisoire du four.

Installation du four

AVIS : Avant d'installer l'appareil, prendre soin de vérifier la dimension du coffret et les raccordements électriques.

Pour une installation optimale

Deux personnes peuvent avoir de la difficulté à manipuler le four pendant l'installation. Il est recommandé qu'au moins trois personnes soulèvent l'unité pour la mettre en place.

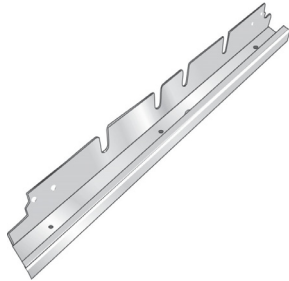
Le retrait de la porte pendant l'installation (pour avoir une meilleure prise et réduire considérablement le poids de l'unité) peut poser problème à moins de suivre attentivement les consignes détaillées à cet effet. Pour faciliter l'installation, veuillez prendre le temps de lire les consignes et suivez-les rigoureusement.

Pré-assemblage de four combiné

Les fours combinés nécessitent l'assemblage du four et du micro-ondes avant d'insérer l'appareil combiné dans l'armoire murale.

Pièces fournies

Support de raccordement universel (2) (dans la boîte des pièces sur le four)



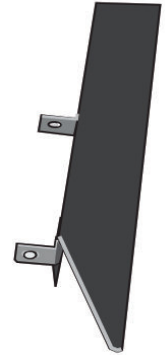
Vis (16) (dans le sac rouge, à l'intérieur de la boîte de pièces, sur le four)



Vis de montage du four 8 vis sont incluses pour fixer la garniture du four à l'armoire. Les vis se trouvent dans un petit sac en plastique accroché à la pochette de documentation.



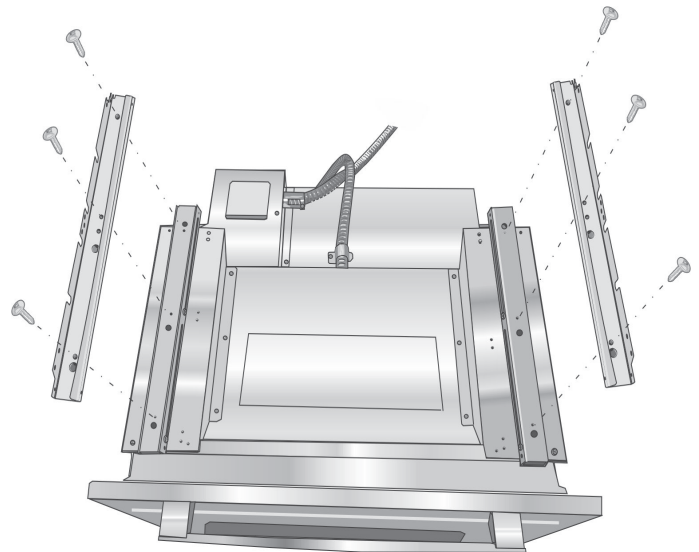
Pièce de garniture (dans le sac en plastique sur le four)



Assemblage des deux modules du four

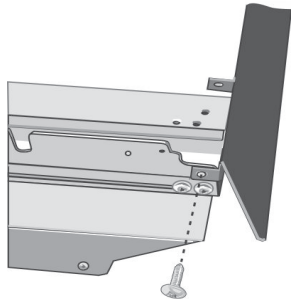
Remarques

- Installez le four dans l'armoire murale uniquement après avoir assemblé solidement le four à cuisson rapide sur le dessus du four inférieur à l'aide des équerres de fixation universels.
 - Les équerres de fixation universels sont interchangeables pour les côtés gauche et droit du four. Veillez à ce que le bord vertical le plus grand du support soit orienté vers l'extérieur du four.
1. Installez les deux équerres de fixation universels sur le dessus du four inférieur à l'aide de six (6) des vis fournies. Serrez solidement les vis, mais sans trop les serrer.

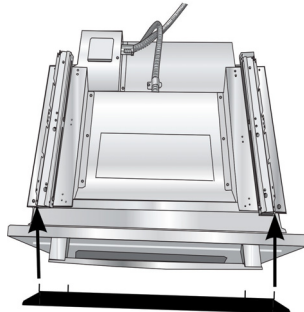


2. Installez la garniture décorative.

Placez la garniture décorative de manière à ce que les brides comportant les trous soient tournées vers l'arrière du four.



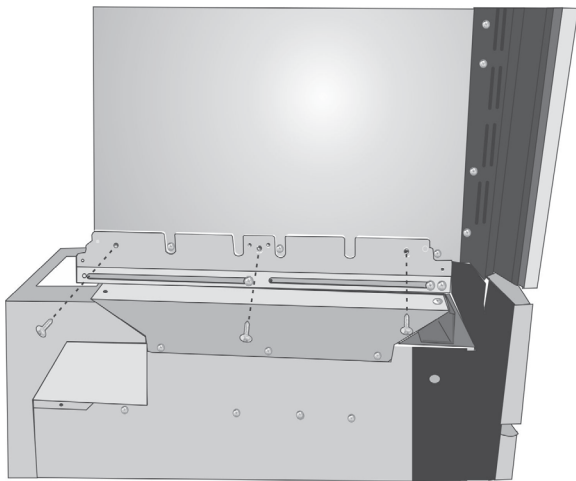
Alignez les brides extérieures avec la partie extérieure des équerres de fixation universels. Fixez à l'aide d'une (1) vis insérée dans le trou à l'extrémité de l'équerre de fixation universel.



Serrez solidement la vis, mais sans trop la serrer.

3. Installez le four à cuisson rapide sur les équerres de fixation universels et fixez-le en place à l'aide de trois(3) vis par côté. Serrez solidement les vis, mais sans trop les serrer.

Remarque : Les vis existantes au bas du four à cuisson rapide facilitent l'alignement. En abaissant le four à cuisson rapide pour le mettre en place sur les équerres de fixation universels, laissez les têtes de vis glisser dans les fentes, comme illustré ci-dessous. La vis la plus proche de la face avant du four à cuisson rapide doit glisser dans la base de la partie inclinée à l'avant de l'équerre.



4. Poursuivez avec « Raccordement du conduit électrique du four à cuisson rapide au four inférieur ».

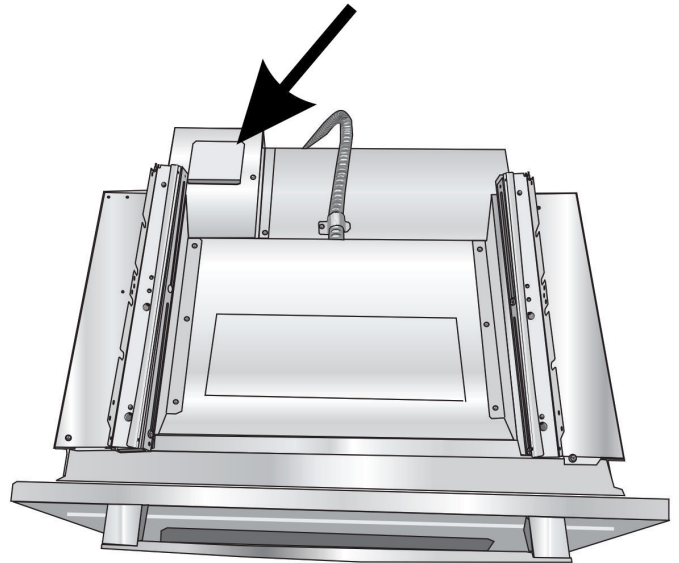
Raccordement du conduit électrique du four à cuisson rapide au four inférieur

Remarque : Lorsque vous installez un appareil combiné, le câble d'alimentation doit être correctement branché à la boîte de raccordement intégrée du four. Le raccordement doit être fait avant de fournir l'alimentation électrique au four.

⚠ AVERTISSEMENT

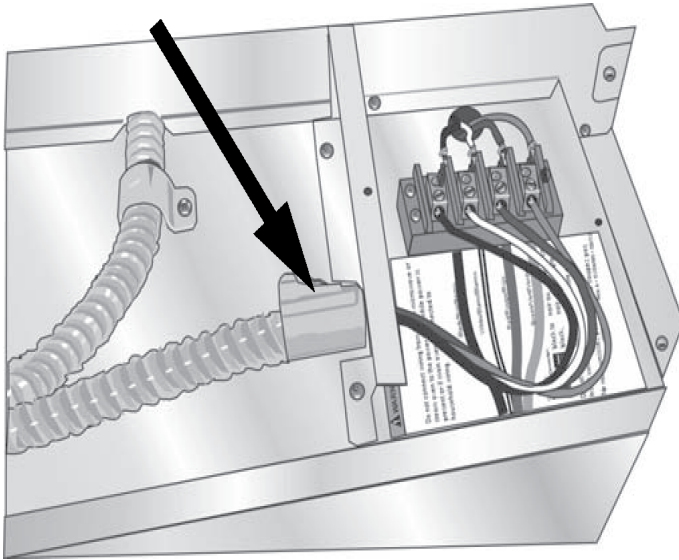
Vérifiez que l'alimentation électrique du four est bien coupée.

1. Enlevez le couvercle de la boîte de raccordement intégrée, située sur la partie supérieure du four, à l'arrière. (Voir l'illustration ci-dessous).

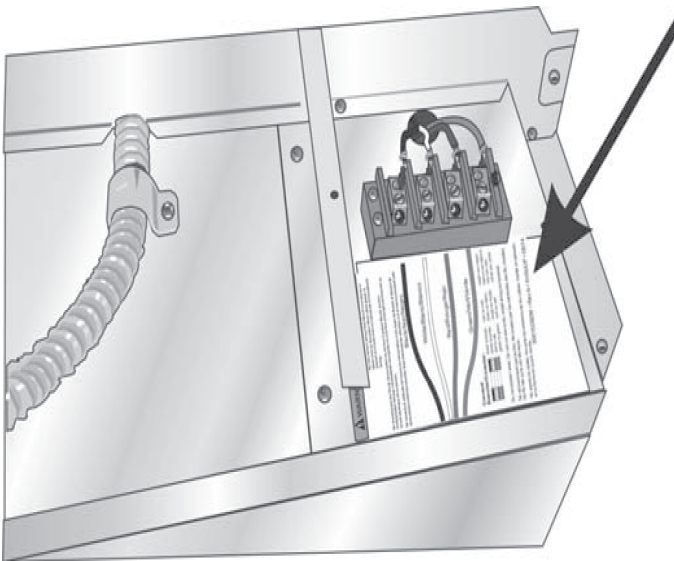


2. Enlevez le capuchon de l'orifice d'accès au conduit sur le côté de la boîte de raccordement intégrée au four.

3. Acheminez les fils du câble de raccordement venant du four à cuisson rapide à travers le trou de la boîte de raccordement intégrée au four. Quatre fils proviennent du four à cuisson rapide.



4. Enclenchez le raccord de conduit en position dans le trou en l'enfonçant.
5. Respectez les indications de l'étiquette du schéma de câblage, faites correspondre et raccorder chaque fil selon sa couleur aux fils reliés à la borne à l'intérieur de la boîte de raccordement intégrée au four. Introduisez l'extrémité dénudée de chaque fil jusqu'à ce qu'elle soit bien insérée dans la borne, puis serrez la vis de fixation sur chaque fil. Serrez solidement, mais sans trop serrer. Consultez l'illustration précédente de l'étape 3 pour obtenir une idée de l'apparence finale.



6. Remettez en place le couvercle de la boîte de raccordement intégrée au four et serrez les deux vis qui la maintiennent en place. Serrez solidement, mais sans trop serrer.

Retrait de la porte du four avant installation

Il est recommandé de retirer la porte du four traditionnel (inférieur) pour réduire le poids de l'appareil.

AVIS : N'essayez pas d'enlever la porte du four à cuisson rapide.

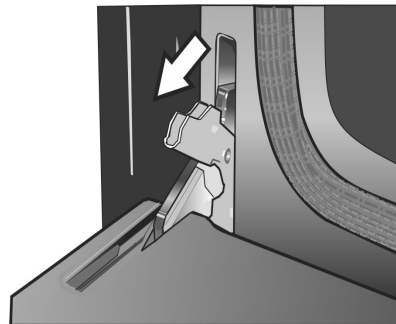
Démontage de la porte du four

▲ AVERTISSEMENT

- Avant de démonter la porte, s'assurer que le four est froid et que le courant qui l'alimente a été coupé. Le non-respect de cette précaution pourrait entraîner un choc électrique ou des brûlures.
- La porte du four est lourde et certaines parties sont fragiles. L'enlever à deux mains. Le devant de la porte est en verre. Manipuler avec précaution pour éviter les cassures.
- Saisir uniquement le côté de la porte du four. Ne pas saisir la poignée, car elle peut pivoter dans la main et causer des dommages ou des blessures.
- Si la porte du four n'est pas saisie fermement et correctement, il y a un risque de blessure ou de dommage à l'appareil.
- Pour éviter toute blessure causée par l'enclenchement soudain du support de charnière, s'assurer que les deux leviers sont bien enclenchés avant d'enlever la porte. En outre, ne pas forcer la porte pour l'ouvrir ou la fermer, car la charnière risque de s'abîmer et de causer des blessures.
- Ne pas déposer la porte sur des objets acérés ou pointus, car ils risquent de briser la vitre. Poser la porte sur une surface plane et lisse de sorte qu'elle ne risque pas de tomber.

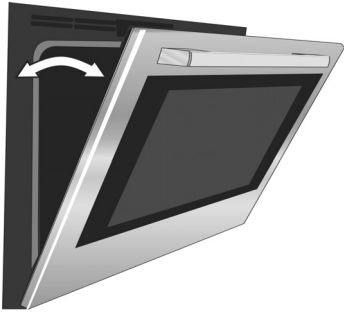
Pour prévenir les blessures ou les dommages, veiller à lire l'AVERTISSEMENT ci-dessus avant d'essayer de démonter la porte du four.

1. Ouvrir complètement la porte du four.
2. Basculer les leviers de fermeture des charnières vers soi.



Remarque : Il est parfois nécessaire d'utiliser un outil, comme un tournevis, pour forcer délicatement la partie supérieure du levier pour dégager celui-ci du boîtier. Faire attention à ne pas le rayer.

- Mettre les deux charnières de porte en position abaissée comme le montre l'illustration. Les charnières gauche et droite de la porte diffèrent légèrement, mais fonctionnent de la même manière.
- Fermer la porte du four jusqu'à ce qu'elle s'accroche sur les leviers d'arrêt des charnières, verrouillant ainsi les charnières au bon angle pour le démontage de la porte. La porte sera ouverte d'environ 7 po (17,8 cm) sur la partie supérieure. Cela allège la tension des ressorts exercée sur les charnières, ce qui permet de soulever aisément la porte.

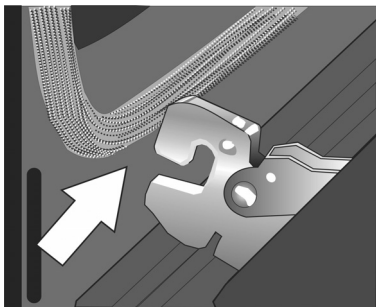


⚠ ATTENTION

RISQUE DE PINCEMENT

Fermer la porte de 7 po (17,8 cm) allège la tension du ressort. Le cas contraire, il est toujours possible de retirer la porte, mais la gâche se fermera maintenant brusquement et pincera ou coupera la main.

- La porte est lourde. Saisir les côtés de la porte fermement des deux mains. Ne pas saisir la porte par la poignée. Tout en maintenant l'angle de la porte, soulever la porte à la verticale d'environ 3/4 po (19 mm) pour dégager les charnières de leur logement, puis la tirer vers soi jusqu'à ce que les charnières soient dégagées du boîtier du four.



- Placer la porte dans un endroit pratique et stable pour le nettoyage.

Installation du four dans l'armoire

⚠ ATTENTION

Il est recommandé de porter des gants et des manches longues pour protéger les mains et les avant-bras contre les écorchures et les éraflures pouvant survenir pendant l'opération de soulèvement. Il est également recommandé d'enlever montres et bijoux et de porter des chaussures de travail pendant l'installation pour se protéger les pieds.

⚠ ATTENTION

Trois personnes, ou l'équipement approprié, sont requis pour soulever de façon sécuritaire le four combiné dans l'ouverture de l'armoire.

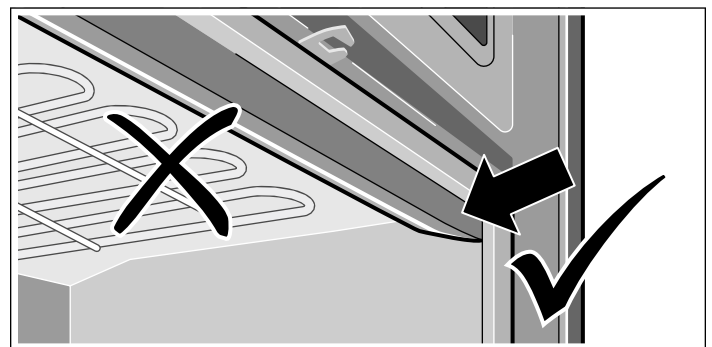
AVIS : Pour éviter d'endommager la porte, ne soulevez pas ni ne tirez ou poussez l'appareil au cours de l'installation en utilisant une poignée quelconque de la porte du four comme prise.

Recommandations concernant le soulèvement

Il existe un rebord en travers de la partie supérieure avant de la cavité du four. Soulevez l'appareil en saisissant ce rebord d'une main après avoir placé l'autre main à l'arrière de l'appareil (pour les personnes qui aident en soulevant les côtés de l'appareil). Si une troisième personne soulève l'appareil par le devant, elle devra se servir des deux mains pour saisir l'appareil à l'endroit où se trouve ce rebord.

⚠ ATTENTION

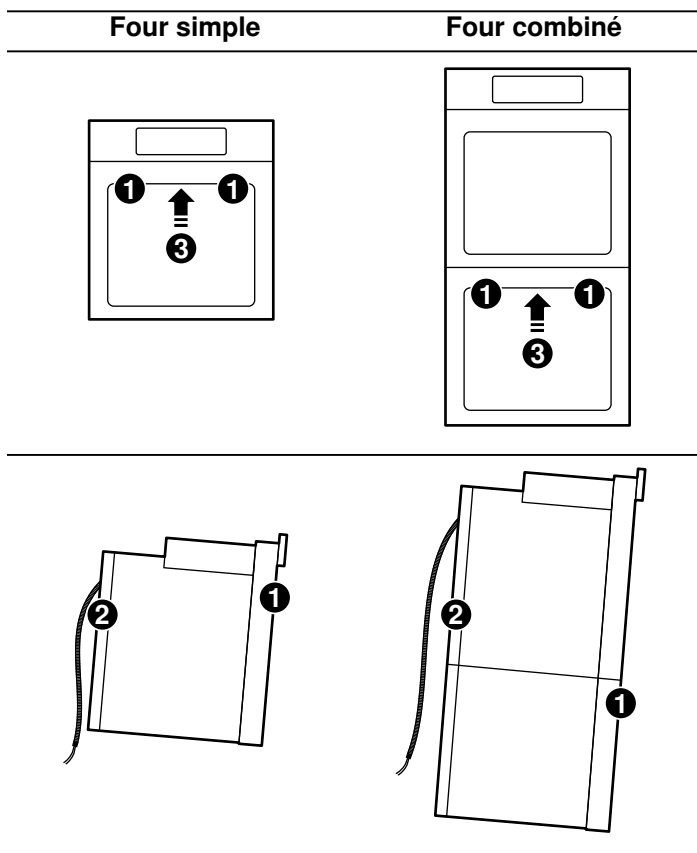
NE PAS essayer de soulever l'appareil par l'élément chauffant supérieur du four.



Soulever le four sans la porte selon les lignes directrices ci-dessous :

- Les points de soulèvement (1) à l'avant de l'appareil sont utilisés pour le soulèvement depuis les côtés de l'appareil. Le point de soulèvement (3) à l'avant de l'appareil est prévu pour la troisième personne à laquelle on a recours pour soulever l'appareil.

- Le point de soulèvement (2) à l'arrière de l'appareil indique l'emplacement de la main opposée pour les personnes qui aident à soulever l'appareil depuis les côtés. Ajustez le positionnement des mains au besoin pour faciliter le soulèvement de l'appareil.



Installation du four dans l'ouverture de l'armoire

- L'appareil et la partie inférieure de l'emballage (palette) doivent être positionnés près de l'armoire et devant son ouverture avant de commencer à soulever l'appareil pour le mettre en place.
- Soulevez ou glissez l'appareil dans la découpe de l'armoire en empêchant le socle d'entrer en contact avec le sol.
- Glissez l'appareil directement vers l'arrière dans la découpe de l'armoire. Poussez l'appareil tout droit jusqu'à ce que la garniture du four soit à 2 po (5 cm) avant d'affleurer avec la paroi de l'armoire.

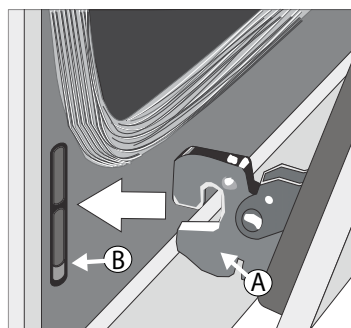
Remarque : Faites attention à ne pas pincer le conduit flexible entre le four et la paroi arrière de l'armoire. Si nécessaire, guidez le conduit flexible dans le trou d'accès de la paroi de l'armoire en veillant à ce qu'il ne fasse pas obstacle à l'encastrement complet de l'appareil à l'intérieur de l'armoire. Le four doit être droit et de niveau.

- Encastrez l'appareil jusqu'au fond de la découpe de l'armoire. L'avant de l'appareil doit affleurer avec la façade de l'armoire.

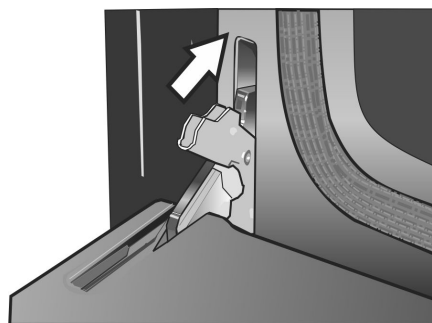
- Insérez les vis fournies dans les trous taraudés de la garniture (2 vis pour les fours simples et 4 vis pour les fours combinés). On recommande de percer des avant-trous pour les vis de la garniture. Pour assurer le bon fonctionnement de la porte et du four, les vis doivent être insérées sur le devant de la garniture latérale.
- Réinstallez la porte du four de façon appropriée. Consultez la section « Réinstallation de la porte du four ».

Remontage de la porte du four

- En tenant fermement la porte des deux mains, la saisir de chaque côté et non pas par la poignée.
- Incliner légèrement la porte vers soi, jusqu'à ce que sa partie supérieure s'ouvre d'environ 7 po (18 cm).
- Glisser les charnières dans leurs logements jusqu'en butée, puis baisser la porte. L'angle de la porte peut nécessiter un léger ajustement pour permettre d'engager les charnières convenablement et d'abaisser la porte en place. La porte devrait s'abaisser d'environ 2 cm (3/4 po) et s'arrêter. Si ce n'est pas le cas, les charnières ne sont pas convenablement engagées et la porte pourrait tomber si elle est relâchée.



- Une fois les deux charnières complètement engagées, tel que décrit à l'étape 3, doucement ouvrir la porte jusqu'à ce qu'elle soit complètement ouverte.
- Poussez les loquets à levier sur les deux charnières vers le haut et l'avant, jusqu'à ce qu'ils s'enclenchent dans les logements, affleurant à l'avant du four.



- Fermer et ouvrir la porte lentement pour s'assurer qu'elle est correctement et solidement installée.

Opération d'essai

1. Mettez sous tension au disjoncteur.
2. Essayez le mode four.
Sélectionnez le mode BAKE (cuisson). Consultez le manuel d'utilisation et d'entretien pour les directives détaillées de fonctionnement.
3. Vérifiez que l'éclairage du four s'allume et que le four se met à préchauffer.

4. Essayez le verrouillage de la porte.
Réglez le mode SELF CLEAN (nettoyage auto). Confirmez que la porte se verrouille lorsque l'icône de verrouillage s'affiche à l'écran.
5. Si l'un des tests n'aboutit pas comme prévu ci-dessus, communiquez avec le service après-vente pour obtenir de l'aide. Sinon, l'installation est terminée à ce moment-ci.

Soutien Bosch®

Avant d'appeler le service de réparations

Consultez le manuel d'utilisation et d'entretien pour les renseignements de dépannage. Consultez l'« Énoncé de garantie limitée du produit » dans le manuel d'utilisation et d'entretien.

Pour communiquer avec un représentant en réparations, consultez les coordonnées au début du manuel ou dans la section qui suit. Lorsque vous téléphonez, soyez prêt à fournir les informations imprimées sur l'étiquette de cote du produit.

Plaque signalétique

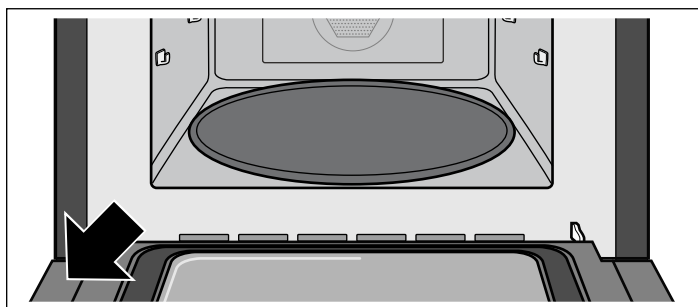
Chaque élément du four combiné comporte sa propre plaque signalétique.

La plaque signalétique comporte le numéro de modèle, le numéro FD et le numéro de série. Consultez la plaque signalétique lors d'une demande de dépannage.

L'emplacement de la plaque signalétique varie selon le modèle du four.

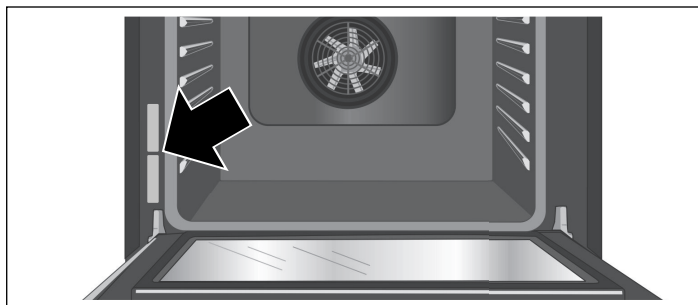
Emplacement de l'étiquette de cote du four à cuisson rapide

L'étiquette de cote du four à cuisson rapide se trouve à l'intérieur de la porte de l'appareil.



Emplacement de l'étiquette de cote du four conventionnel

L'étiquette de cote du four conventionnel (inférieur) se trouve du côté gauche de la garniture de porte.



Pour éviter de devoir chercher chaque information lors de votre appel, vous pouvez inscrire les quatre éléments requis dans les espaces fournis ci-dessous.

Four conventionnel

Numéro de modèle

Numéro FD

Four à cuisson rapide

Numéro de modèle

Numéro FD

Date d'achat

Service après-vente ☎

Conservez la facture ou le contrat aux fins de validation de garantie si jamais vous avez besoin d'une réparation.

Service

Nous réalisons que vous avez effectué un investissement considérable dans votre cuisine. Nous nous engageons à offrir tout le support dont vous et votre appareil avez besoin afin que vous puissiez profiter pleinement de votre appareil.

Ne pas hésiter à contacter notre département de service à la clientèle si vous avez des questions ou dans le cas peu probable que votre appareil Bosch® ait besoin d'entretien. Notre équipe de service est prête à vous aider.

USA

800-944-2904

www.bosch-home.com/us/support

Canada

800-944-2904

www.bosch-home.ca/en/support

Pièces et accessoires

Les pièces, les filtres, les décalamineuses, les nettoyeurs en acier inoxydable et plus encore peuvent être achetés dans le magasin en ligne Bosch ou par téléphone.

USA

www.bosch-home.com/us/store

Canada

Marcone 800-482-6022

ou

Reliable Parts 800-941-9217

Índice

▲ Definiciones de seguridad	35	Dimensiones del electrodoméstico y del hueco para el gabinete	40
INSTRUCCIONES DE SEGURIDAD IMPORTANTES .	36	Medidas para unidades de horno sencillo	40
Seguridad de manejo del electrodoméstico	36	Medidas de las unidades del horno de funcionamiento combinado	41
Códigos y normas de seguridad	36	Instalación eléctrica: instrucciones para la conexión a tierra	43
Seguridad con la electricidad	36	Conexión eléctrica	43
Seguridad de los equipos relacionados	37	Conexión de cuatro cables	43
Advertencia en virtud de la Proposición 65	37	Conexión de tres cables	43
Transporte	37	Instalar el horno	44
Hornos de funcionamiento combinado de Bosch	38	Para una mejor instalación	44
Antes de empezar	38	Pre-ensamblado del horno de funcionamiento combinado	44
Herramientas y piezas necesarias	38	Quitar la puerta del horno antes de la instalación	46
Piezas incluidas	38	Instalar el horno en el gabinete	47
Requisitos de potencia y de conexión a tierra	38	Cómo cambiar la puerta del horno	48
Para una mejor instalación	38	Probar el funcionamiento	49
Lista de comprobación	38	Soporte de Bosch®	50
quitar el embalaje	39	Antes de llamar al servicio técnico	50
Hornos integrados	39	Etiqueta de clasificación	50
Hornos de funcionamiento combinado:	39	Servicio técnico	50
Extraer las placas de fijación del embalaje de los laterales derecho e izquierdo	39	Piezas y accesorios	50
Preparar los hornos	39		

Este electrodoméstico de Bosch es hecho por
BSH Home Appliances Corporation
1901 Main Street, Suite 600
Irvine, CA 92614

¿Preguntas?

1-800-944-2904

www.bosch-home.com/us

¡Esperamos oír de usted!

Definiciones de seguridad

ADVERTENCIA

Esto indica que pueden producirse heridas graves o incluso la muerte si no se cumple con esta advertencia.

ATENCION

Esto indica que pueden producirse heridas leves o moderadas si no se cumple con esta advertencia.

AVISO: Esto indica que pueden producirse daños en el aparato o en los bienes si no se cumple con este aviso.

Nota: Esto alerta sobre información o sugerencias importantes.

INSTRUCCIONES DE SEGURIDAD IMPORTANTES

LEA Y CONSERVE ESTAS INSTRUCCIONES

IMPORTANTE: CONSERVAR ESTAS INSTRUCCIONES PARA QUE LAS USE EL INSPECTOR DE ELECTRICIDAD LOCAL.

INSTALADOR: DEJAR ESTAS INSTRUCCIONES DE INSTALACIÓN JUNTO A LA UNIDAD PARA EL PROPIETARIO.

PROPIETARIO: CONSERVAR ESTAS INSTRUCCIONES PARA REFERENCIA FUTURA.

ADVERTENCIA

Si no sigue la información de este manual exactamente, se puede ocasionar un incendio o una descarga eléctrica que puede causar daños materiales o lesiones personales.

ADVERTENCIA

No reparar, sustituir ni quitar ninguna pieza del electrodoméstico a menos que se recomiende de forma específica en los manuales. Una instalación, servicio o mantenimiento inadecuados pueden causar lesiones o daños materiales. Consultar este manual para recibir ayuda. Todos los demás servicios debe realizarlos un agente autorizado.

Seguridad de manejo del electrodoméstico

ATENCIÓN



- La unidad es pesada y se requieren al menos dos personas o un equipo adecuado para trasladarla.
- Si se trata de hornos dobles y triples, se necesitan tres personas o más para levantar la unidad y colocarla en su sitio.
- No levantar el aparato tomándolo de la manija de la puerta.
- Las superficies ocultas pueden tener bordes afilados. Proceder con cuidado al intentar sujetar el electrodoméstico por la parte trasera o desde abajo.

Códigos y normas de seguridad

Este electrodoméstico cumple con la última versión de una o varias de las siguientes normas:

- CAN/CSA C22.2 No. 61 - Estufas de uso doméstico (Household Cooking Ranges)
- UL 858 - Estufas eléctricas de uso doméstico (Household Electric Ranges)
- CAN/CSA C22.2 N.º 150 - Hornos de microondas (Microwave Ovens)
- UL 923 - Electrodomésticos de cocción por microondas (Microwave Cooking Appliances)
- CSA C22.2 N.º 64 - Electrodomésticos para cocinar y para calentar líquidos de uso doméstico (Household Cooking and Liquid-Heating Appliances)
- UL 1026 - Electrodomésticos para cocinar y para servir alimentos eléctricos de uso doméstico (Electric Household Cooking and Food Serving Appliances)

Es responsabilidad del propietario y del instalador determinar si se aplican otros requisitos o normas en instalaciones específicas.

Seguridad con la electricidad

Antes de enchufar un cable eléctrico, asegurarse de que todos los controles se encuentren en la posición OFF (apagado).

Si el Código Nacional Eléctrico (o el Código Eléctrico Canadiense) así lo exige, este aparato debe instalarse en un circuito derivado por separado.

Instalador: mostrar al propietario la ubicación del breaker o del fusible. Marcarlo para recordar más fácilmente.

Importante: Conservar estas instrucciones para que las use el inspector de electricidad local.

Antes de realizar la instalación, desconectar la alimentación eléctrica en el panel de servicio. Bloquear el panel de servicio para impedir que se conecte accidentalmente la alimentación eléctrica.

Para obtener más información, consultar la etiqueta de clasificación. Ver «Etiqueta de clasificación» en «Servicio» para ver la ubicación de la etiqueta de clasificación.

Asegurarse de que el aparato está correctamente instalado y conectado a tierra por un técnico calificado. La instalación, las conexiones eléctricas y la conexión a tierra deben cumplir con todas las normas correspondientes.

⚠ INSTRUCCIONES DE SEGURIDAD IMPORTANTES

LEA Y CONSERVE ESTAS INSTRUCCIONES

Seguridad de los equipos relacionados

Retire toda la cinta y el embalaje antes de usar el electrodoméstico. Destruya el embalaje después de desembalar el electrodoméstico. Nunca deje que los niños jueguen con el material de embalaje.

Nunca modifique ni altere la construcción del electrodoméstico. Por ejemplo, no retire las patas niveladoras, paneles, cubiertas para cables ni soportes/ tornillos antivuelco.

Antes de encender el electrodoméstico, retirar cualquier material de embalaje o lámina adhesiva del compartimento de cocción y de la puerta.

Advertencia en virtud de la Proposición 65:

Este producto puede contener un químico que el Estado de California reconoce como potencialmente cancerígeno o causante de daños reproductivos. Por tanto, su producto debe llevar en su embalaje la siguiente etiqueta de conformidad con la legislación de California:

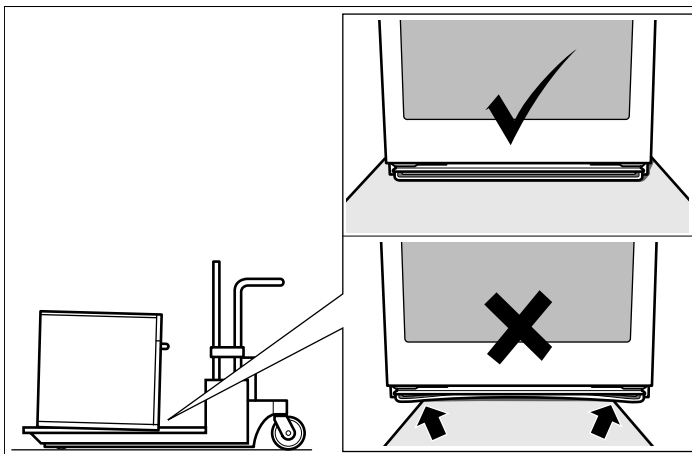
ADVERTENCIA EN VIRTUD DE LA PROPOSICIÓN 65 DEL ESTADO DE CALIFORNIA:

⚠ ADVERTENCIA

Cáncer y daño reproductivo - www.P65Warnings.ca.gov

Transporte

Para evitar el daño a la abertura del horno, utiliza el método del transporte mostrado en el dibujo abajo.



Hornos de funcionamiento combinado de Bosch

Los hornos de funcionamiento combinado **HBL8743UC**, **HBL8753UC** y **HBL87M53UC** se venden como conjuntos que incluyen dos componentes de hornos integrados: un horno de pared convencional (horno inferior) y, o bien un horno rápido integrado, o bien un horno microondas (horno superior).

- Para facilitar la instalación y mejorar el nivelado, los componentes del horno se ensamblan en la casa del cliente en vez de en la fábrica.
- Cada componente está empaquetado en cajas separadas, que se juntan antes del envío.

- Los hornos de funcionamiento combinado que se mencionan aquí están aprobados para su uso en un hueco único mediante una sola conexión.
- Cada componente de horno convencional está diseñado con una caja de conexiones montada en el horno en la parte superior, que se usa para conectar el cable eléctrico del horno superior.
- Las herramientas necesarias para montar el horno rápido encima del horno convencional se encuentran dentro de la caja del horno convencional.
- Cada componente tiene su propia placa de características, número de modelo del componente, número de fabricación, etc.

Antes de empezar

Herramientas y piezas necesarias

- Destornillador de cabeza Phillips
- Destornillador de estrella (T20)
- Cinta métrica
- Taladro con broca (1/8")
- Guantes
- Cúter

Piezas incluidas

Tornillos con cabeza Phillips (6).

Requisitos de potencia y de conexión a tierra

El enchufe debe tener la conexión a tierra adecuada de conformidad con todas las normas aplicables.

Para una mejor instalación

Puede ser difícil que dos personas manejen el horno durante la instalación. Se recomienda que estén disponibles tres personas o más para ayudar a levantar la unidad y colocarla en su sitio.

La extracción de la puerta del horno (para reducir el peso de la unidad y para proporcionar los puntos de agarre necesarios) puede ser complicada, a no ser que se sigan cuidadosamente las instrucciones detalladas de extracción de la puerta. No intentar extraer la puerta del horno rápido.

Tomarse su tiempo para leer y seguir las instrucciones proporcionadas para lograr una mejor experiencia de instalación.

Lista de comprobación

Usar esta lista de comprobación para verificar que se ha completado cada paso del proceso de instalación. Esto puede ayudarle a evitar errores.

- Antes de instalar el horno, asegurarse de comprobar que las medidas del gabinete son correctas y que están presentes las conexiones eléctricas necesarias.

- Ver en este manual información adicional sobre seguridad, medidas del gabinete, eliminación del embalaje, instalación eléctrica, probar la instalación y servicio técnico.
- Quitar la puerta inferior del horno para reducir el peso de la unidad y proporcionar acceso a los puntos de agarre para elevarlo. Ver la información «Quitar la puerta inferior del horno antes de la instalación».
- Mover las unidades del horno a su sitio delante de la abertura del gabinete, dejando el embalaje inferior en las unidades para evitar daños en el suelo.
- Extraer los tornillos de estrella (tamaño T-20 mediante un destornillador de estrella), manteniendo el horno rápido de microondas en la base de la caja.
- Ensamblar las dos unidades del horno de funcionamiento combinado. Ver «Preensamblar el horno de funcionamiento combinado».
- Conectar el cable de salida del horno inferior a la caja de conexiones del gabinete.
- Extraer los tornillos de estrella (tamaño T-20 mediante un destornillador de estrella Torx), manteniendo el horno inferior en la base de la caja.
- Levantar entre todos la unidad hasta el hueco del gabinete teniendo cuidado de no dejarse atrapar los dedos, ni rasguñar los brazos ni las manos.
- Deslizar la unidad hasta su sitio.
- Fijar la unidad a la abertura del gabinete con los tornillos suministrados, usando un desarmador de cruz tipo Philips.
- Volver a colocar la puerta del horno que se había retirado en el paso 3 anterior.
- Ver las instrucciones de instalación completas y seguir el resto de los procedimientos enumerados, incluida la realización de la prueba de funcionamiento.
- **INSTALADOR:** Dejar el paquete de documentación y los accesorios al cliente.

Quitar el embalaje

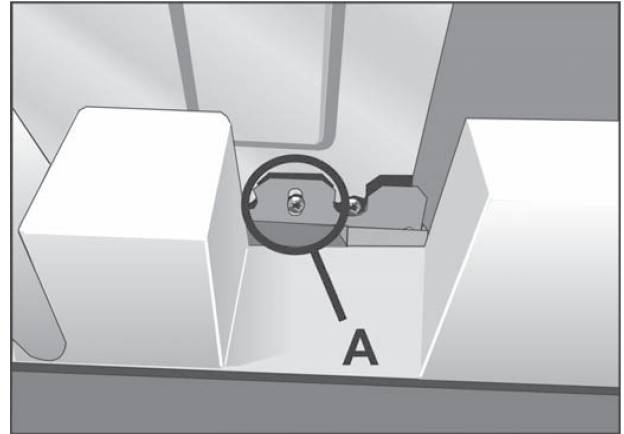
Hornos integrados

1. Cortar los flejes.
2. Abrir la parte superior del cartón y retirar el marco de madera de la parte superior.
3. Levantar el cartón por encima del aparato para retirarlo, o cortarlo cuidadosamente por la línea de corte situada en su parte posterior izquierda. Para ello, utilizar una herramienta cortante cuya hoja no supere los 3/4" y retirar el cartón.
4. Retirar cuidadosamente el embalaje protector interno. Al hacerlo, asegurarse de sujetar los accesorios y manuales de instrucciones que pudieran estar sueltos.
5. Retirar los retenedores que fijan el aparato a la plataforma de la base, si la hubiera.
6. La unidad debe permanecer en la base de embalaje hasta que esté preparada para colocarse en el hueco del gabinete.
7. Instalar el aparato de acuerdo con las instrucciones de instalación.

Hornos de funcionamiento combinado:

1. Cortar los flejes y retirar los protectores de las esquinas / flejes de la parte superior del cartón.
2. Abrir la parte superior del cartón.
3. Levantar el cartón por encima del aparato para retirarlo, o cortarlo cuidadosamente por la línea de corte situada en su parte posterior izquierda. Para ello, utilizar una herramienta cortante cuya hoja no supere los 3/4" y retirar el cartón.
4. Retirar cuidadosamente el cartón del microondas o del horno de cocción al vapor de la parte superior del cartón inferior y colocarlo en el suelo.
5. Seguir las instrucciones de los cartones interiores para retirar el resto del embalaje.

Extraer las placas de fijación del embalaje de los laterales derecho e izquierdo



Nota: La placa de fijación real tiene otro aspecto. La placa de fijación permanece en la base del embalaje. La unidad debe permanecer en la base de embalaje hasta que esté preparada para colocarse en el hueco del gabinete o sobre el horno inferior.

Preparar los hornos

Colocar los hornos delante del gabinete en el que se van a instalar, de modo que estén alineados con el hueco del gabinete.

Comprobar que se han retirado todos los materiales de embalaje de la unidad. Extraer también los accesorios, rejillas del horno, paquete de documentación y cualquier material de envío del interior de la cavidad del horno. Comprobar si es posible instalar los dos hornos como un horno doble u horno de funcionamiento combinado.

Dimensiones del electrodoméstico y del hueco para el gabinete

Cuando se instala un horno al final de un gabinete, junto a una pared perpendicular o a una puerta del gabinete, se aconseja dejar un espacio de, al menos, 1/4" (6,4 mm) entre el lateral del horno y la pared o puerta.

Para apoyar el horno, colocar tiras de 2" x 4" para ampliar el enrasado de adelante hasta atrás con la parte inferior y los laterales de la abertura. La base de apoyo debe estar bien asegurada al suelo/gabinete y nivelada.

Las cajas de conexiones se pueden ubicar en cualquier lugar al alcance del cable de salida del horno.

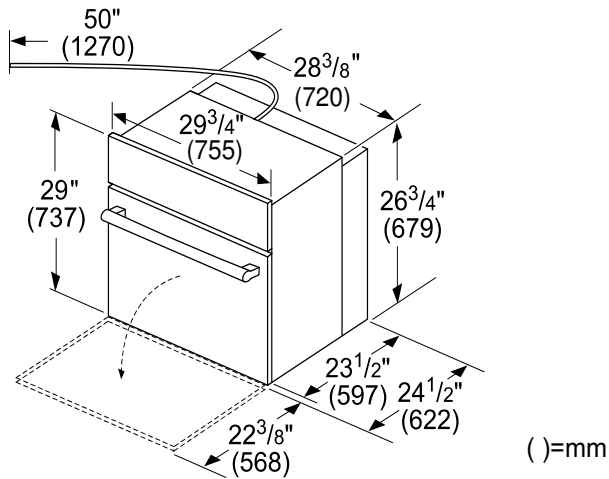
La base del gabinete debe ser plana y capaz de soportar el peso del horno de funcionamiento combinado, hasta 429 libras (195 kg).

Medidas para unidades de horno sencillo

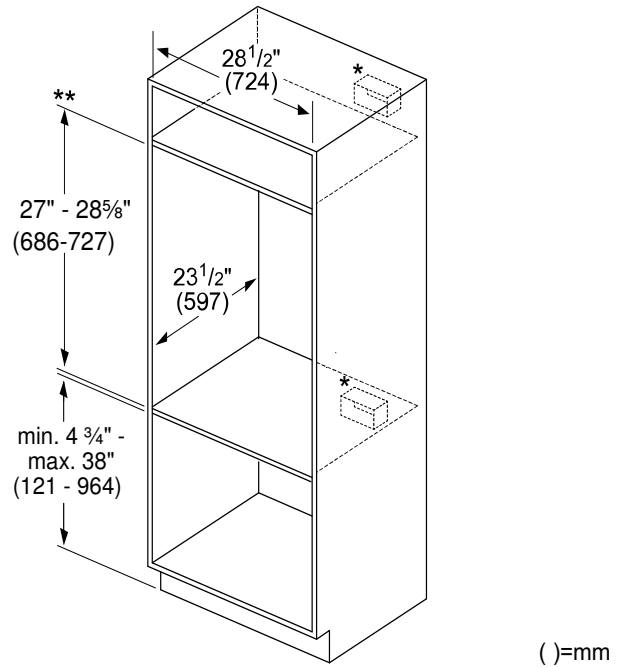
La base del gabinete debe ser plana y capaz de soportar un peso de, al menos, 232 libras (105 kg).

Las medidas de debajo del horno son orientativas y se pueden ajustar en función de las necesidades de cada aplicación particular. Consultar a un profesional del diseño para optimizarlas según las preferencias personales.

Medidas del horno independiente



Instalación en pared del horno independiente



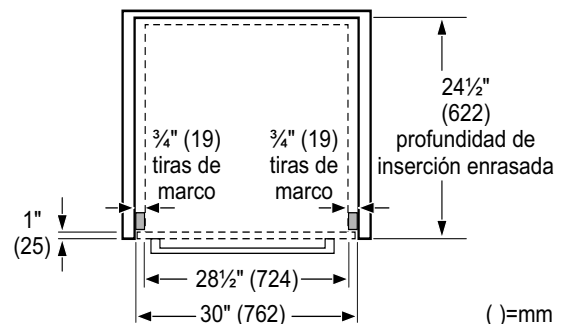
*En el caso de hornos independientes montados en gabinetes de pared, la caja de conexiones puede estar ubicada encima, debajo, a la izquierda o a la derecha de la unidad, siempre que esté al alcance del cable eléctrico.

**Para montar el horno en un gabinete de pared, la superposición del panel de control es de un mínimo de ³/₈ pulgadas (10 mm) a un máximo de 2 pulgadas (51 mm).

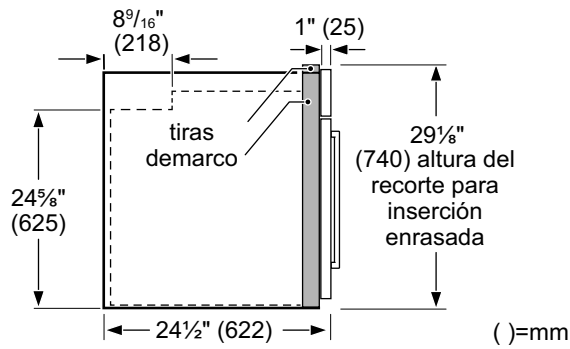
Instalación enrasada del horno independiente

La instalación enrasada necesita dos refuerzos laterales fijados dentro del marco del gabinete, empotrados desde la parte delantera.

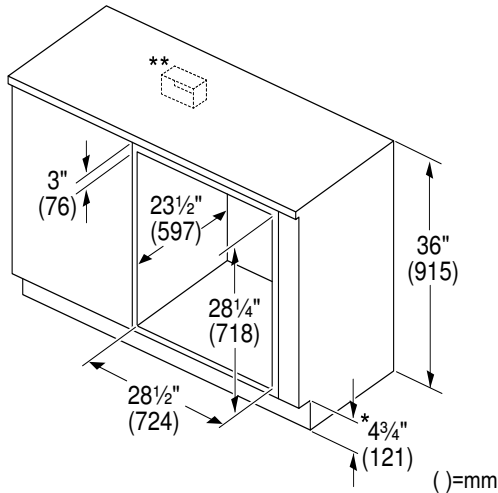
Vista desde arriba



Vista lateral



Instalación debajo de la cubierta



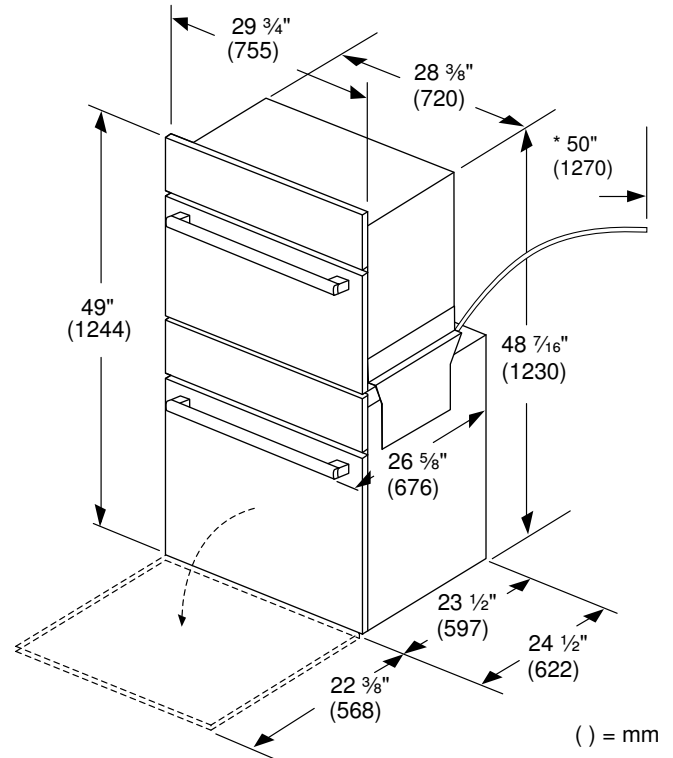
* Incluye una placa de base de $\frac{3}{4}$ pulgadas (19 mm).

**En el caso de hornos independientes instalados debajo de la cubierta, la caja de conexiones debe estar ubicada a la izquierda o a la derecha de la unidad, al alcance del cable eléctrico.

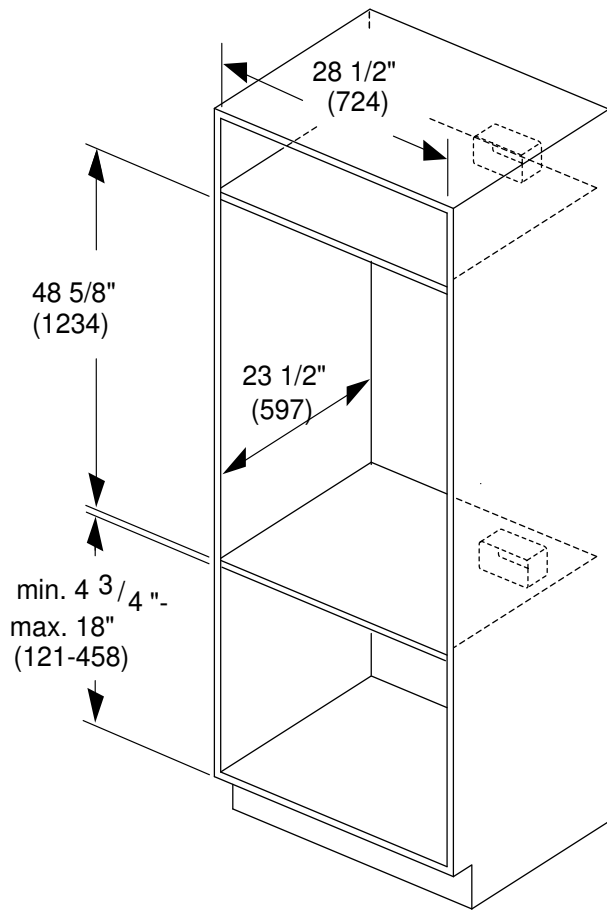
Medidas de las unidades del horno de funcionamiento combinado

La base del gabinete debe ser plana y capaz de soportar el peso del horno de funcionamiento combinado, hasta 429 libras (195 kg).

Medidas del horno de funcionamiento combinado



Instalación tradicional del horno de funcionamiento combinado

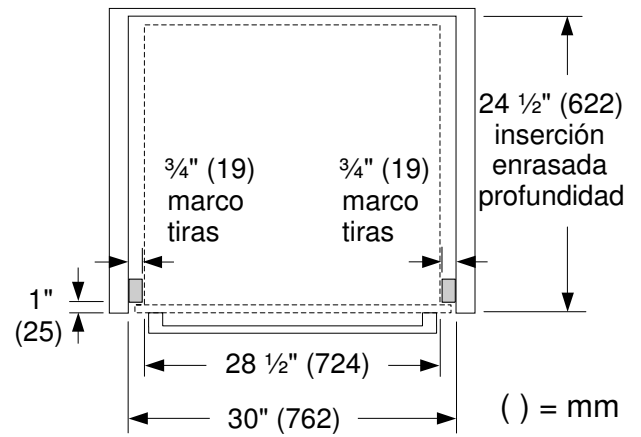


Nota: La caja de conexiones puede estar ubicada encima, debajo, a la izquierda o a la derecha de la unidad, siempre que esté al alcance del cable eléctrico.

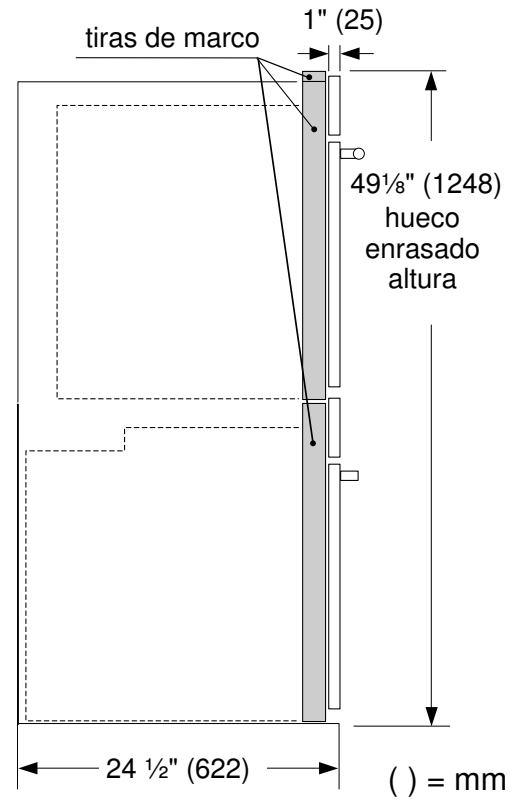
Instalación enrasada del horno de funcionamiento combinado

La instalación enrasada necesita dos refuerzos laterales fijados dentro del marco del gabinete, empotrados desde la parte delantera.

Vista desde arriba



Vista lateral



Instalación eléctrica: instrucciones para la conexión a tierra

El horno de funcionamiento combinado ensamblado debe moverse delante de la abertura del gabinete y el cable de corriente del horno inferior debe estar conectado a la caja de conexiones del gabinete.

Todos los modelos de horno cuentan con la clasificación dual en la tapa frontal de este manual de instrucciones de instalación, y se han diseñado para conectarse a 208 o 240 V C.A., 60 Hz, a una red de electricidad monofásica de 4 hilos.

Modelo	Circuito requerido
HBL8463UC	208 V, 60 Hz/240 V, 60 Hz 30 A
HBL8443UC	
HBL8453UC	
HBL8743UC	208 V, 60 Hz/240 V, 60 Hz 40 A
HBL8753UC	
HBL87M53UC	

El suministro eléctrico debe ser de corriente alterna monofásica, de 4 hilos. Instalar una caja de conductos conduit adecuada (no viene incluida). Debe utilizarse un conector para tubos conduit de tamaño adecuado, incluido en el listado de UL, para unir correctamente el tubo conduit a la caja de conexiones.

Nota: Las normas locales pueden variar. La instalación, las conexiones eléctricas y la conexión a tierra deben cumplir con todas las normas locales correspondientes. Si las normas locales permiten efectuar la conexión a tierra a través de una red de suministro eléctrico neutral, conectar el cable blanco neutral y la toma de tierra verde desde el horno hasta el cable blanco neutral de la red de suministro eléctrico.

Conexión eléctrica

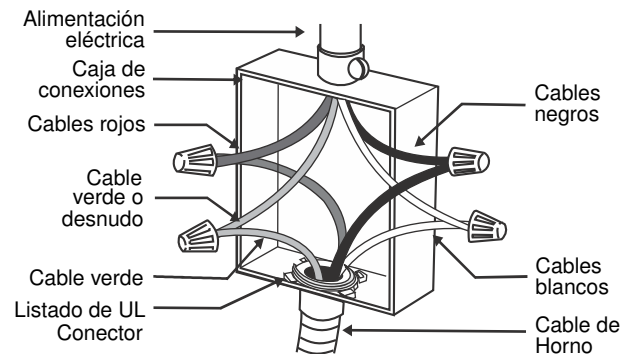
La conexión del circuito con cuatro hilos es preferible pero donde los códigos locales lo permiten, se acepta también una conexión con tres hilos.

⚠ ADVERTENCIA

Si se conecta a una fuente de alimentación trifásica de 4 o 5 hilos y 120/208 V, el conductor de fase C no es necesario para el funcionamiento del aparato.

Conexión de cuatro cables

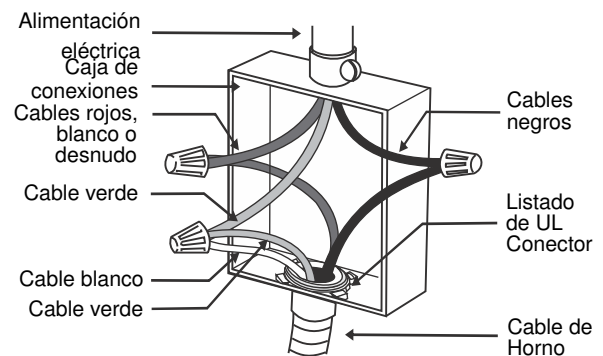
Neutro sin conexión a tierra



- Conectar el cable rojo del horno al cable rojo del suministro eléctrico (cable con corriente).
- Conectar el cable negro del horno al cable negro del suministro eléctrico (cable con corriente).
- Conectar el cable neutro blanco del horno al cable neutro blanco del suministro eléctrico (no al cable de conexión a tierra desnudo o verde).
- Conectar el cable de conexión a tierra verde del horno al cable de conexión a tierra desnudo o verde del suministro eléctrico.

Conexión de tres cables

Neutro con conexión a tierra



- Conectar el cable rojo del horno al cable rojo en la caja de conexiones.
- Conectar el cable negro del horno al cable negro en la caja de conexiones.
- Conectar tanto el cable de conexión a tierra verde como el cable blanco del horno al cable neutro desnudo, blanco o verde en la caja de conexiones.

El cable del conduit, donde está conectado en el horno, gira. Girar el cable del conduit hacia arriba (o hacia abajo) y dirigirlo a través del orificio preparado en el gabinete para fijarlo en la caja de conexiones.

Para mantener la capacidad de servicio, el conduit flexible no se debe acortar y se debe extender para permitir la retirada temporal del horno.

Instalar el horno

AVISO: Antes de instalar el aparato, asegúrese de verificar las dimensiones del gabinete y las conexiones eléctricas.

Para una mejor instalación

Durante la instalación, puede resultarles difícil a dos personas manipular el horno. Se recomienda que haya tres o más personas disponibles para ayudar a levantar la unidad a su lugar.

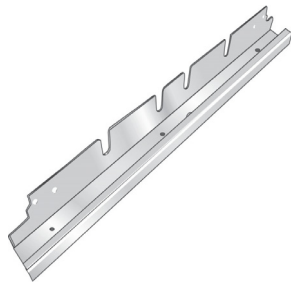
Retirar la puerta del horno durante la instalación (para tener los agarres necesarios y reducir en forma significativa el peso de la unidad) puede resultar engorroso, a menos que se sigan atentamente las instrucciones detalladas para retirar la puerta. Tómese un tiempo para leer y seguir las instrucciones proporcionadas para una mejor experiencia de instalación.

Pre-ensamblado del horno de funcionamiento combinado

Los hornos de funcionamiento combinado requieren que el horno y el microondas estén ensamblados antes de montar la unidad de funcionamiento combinado en el gabinete.

Piezas suministradas

Guía de conexión universal (2), en la caja de piezas en la parte superior del horno



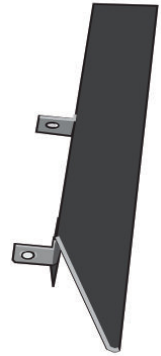
Tornillos (16), en la bolsa roja, dentro de la caja de piezas en la parte superior del horno.



Tornillos de instalación del horno (8): se incluyen tornillos para asegurar la moldura del horno al gabinete. Los tornillos se encuentran en una bolsa pequeña de plástico pegada en la bosa del paquete de documentación.



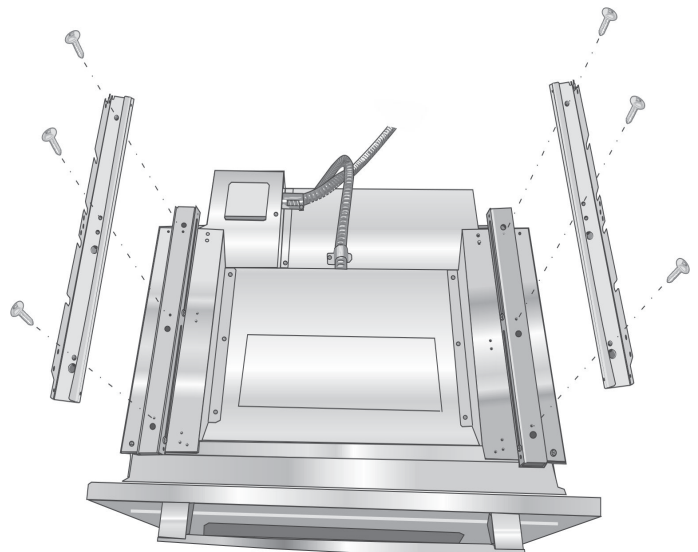
Pieza de moldura: en una bolsa de plástico en la parte superior del horno.



Preensamblar las dos unidades del horno

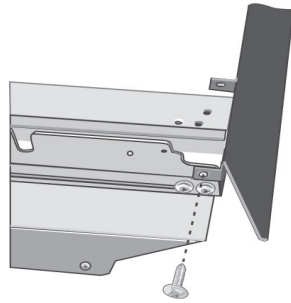
Notas

- No colocar el horno en el gabinete de pared hasta después de montar el horno rápido en la parte superior del horno inferior y asegurarlo mediante las placas de fijación de conexión universales.
 - Las placas de fijación de conexión universales se pueden intercambiar en los laterales derecho e izquierdo del horno. Comprobar que el borde vertical más alto de la placa de fijación quede colocado hacia la parte exterior del horno.
1. Instalar ambas placas de fijación de conexión universales en la parte superior del horno inferior mediante seis (6) de los tornillos suministrados. Apretar los tornillos firmemente, pero sin sobreapretarse.



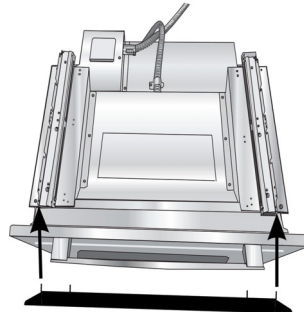
2. Instalar la moldura decorativa.

Colocar la moldura decorativa de modo que los bordes con los orificios miren hacia la parte trasera del horno.



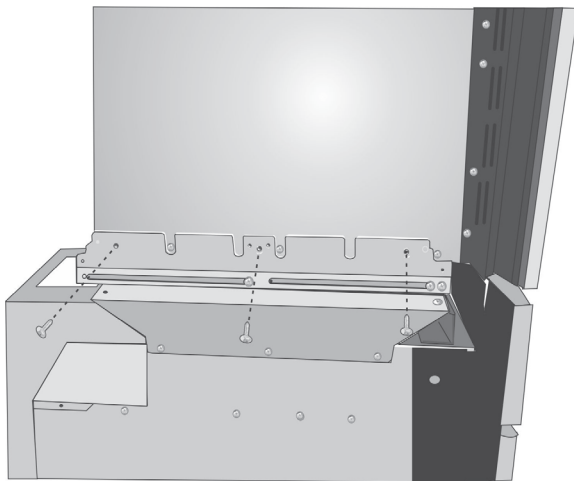
Alinear los bordes exteriores con el exterior de las placas de fijación universales. Fijar con un (1) tornillo cada uno en el orificio final de cada placa de fijación universal.

Apretar los tornillos firmemente, pero sin sobrepasarse.



3. Colocar la unidad del horno rápido encima de las placas de fijación de conexión universales y fijarla en su sitio utilizando tres (3) tornillos en cada lado. Apretar el tornillo firmemente, pero sin sobrepasarse.

Nota: Los tornillos que ya hay en la base del horno rápido ayudan a nivelarlo. Al bajar el horno rápido hasta su lugar sobre las placas de fijación de conexión universales, hacen que las cabezas de estos tornillos se introduzcan en las ranuras, tal y como se muestra en la siguiente ilustración. El tornillo más cercano a la parte delantera del horno rápido debe deslizarse por la base del bisel en la parte frontal de la placa de fijación.



4. Continuar con «Conectar el conducto eléctrico del horno rápido al horno inferior».

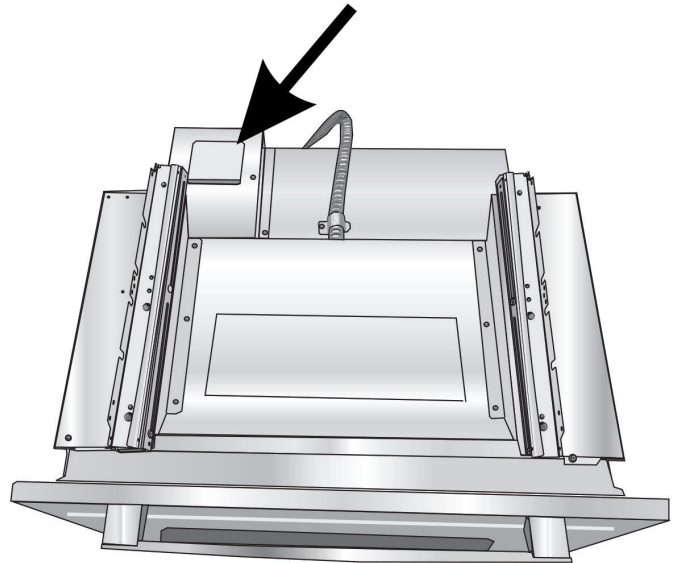
Conectar el conducto eléctrico del horno rápido al horno inferior

Nota: Al montar la unidad de funcionamiento combinado, el cable de salida debe estar correctamente colocado en la caja de conexiones montada en el horno. Esto debe realizarse antes de suministrar corriente eléctrica a la unidad del horno.

⚠ ADVERTENCIA

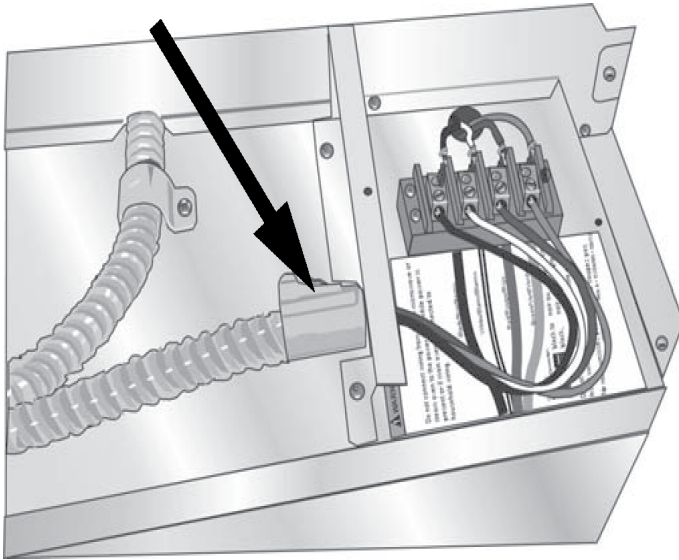
Comprobar que aún no se ha suministrado ninguna corriente eléctrica al horno.

1. Quitar la tapa de la caja de conexiones montada en el horno que se encuentra en la parte trasera del horno. (Ver la siguiente imagen).

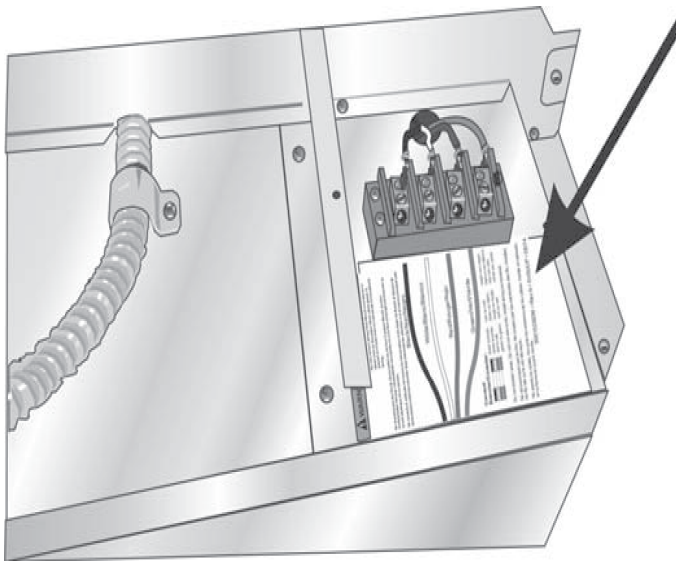


2. Quitar la cubierta del orificio de acceso del conducto en el lateral de la caja de conexiones montada en el horno.

3. Guiar los cables del conducto que vienen del horno rápido a través del orificio en la caja de conexiones montada en el horno. Hay cuatro cables que vienen del horno rápido.



4. Colocar el conector del conducto en el orificio; para ello, presionarlo hasta que se escuche un clic.
5. Seguir la etiqueta del esquema eléctrico, emparejar y conectar cada cable según el color a los cables acoplados al bloque de cableado dentro de la caja de conexiones montada en el horno. Presionar el extremo al descubierto del cable hasta que se ajuste en el bloque de cableado, después, apretar el tornillo de fijación de cada cable.
- Apretar firmemente, pero sin sobrepasarse.
- Ver la ilustración anterior del paso 3 para comprobar el aspecto terminado.



6. Recolocarla tapa de la caja de conexiones montada en el horno y apretar los dos tornillos que la sostienen.
- Apretar firmemente, pero sin sobrepasarse.

Quitar la puerta del horno antes de la instalación

Se recomienda extraer la puerta del horno convencional (inferior) para reducir el peso de la unidad.

AVISO: No extraer la puerta del horno rápido.

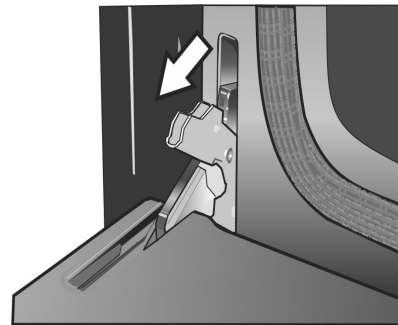
Cómo extraer la puerta del horno

⚠ ADVERTENCIA

- Asegurarse de que el horno está frío y que se ha desconectado de la corriente antes de extraer la puerta. De no hacerlo se puede producir una descarga eléctrica o quemaduras.
- La puerta del horno es pesada y algunas de sus partes son frágiles. Usar las dos manos para extraer la puerta del horno. La puerta frontal es de cristal. Manipularla con cuidado para evitar que se rompa.
- Agarrar solo el lateral de la puerta del horno. No agarrar el asa, ya que puede resbalar en la mano y causar daños o lesiones.
- Si no se agarra la puerta del horno con firmeza y adecuadamente, podrían producirse lesiones personales o daños en el producto.
- Para evitar lesiones al cerrarse bruscamente la placa de fijación de la bisagra, asegurarse de que las dos palancas están colocadas firmemente antes de quitar la puerta. No forzar la apertura o el cierre de la puerta: la bisagra podría dañarse y se podrían producir lesiones.
- No dejar la puerta removida sobre objetos afilados o puntiagudos, ya que se podría romper el cristal. Colocar la puerta en una superficie plana y suave para que la puerta no pueda caerse.

Para evitar daños o lesiones, asegurarse de leer la ADVERTENCIA anterior antes de intentar extraer la puerta del horno.

1. Abrir la puerta del horno hasta que esté completamente abierta.
2. Voltar las palancas de las bisagras hacia uno mismo.



Nota: Puede ser necesario utilizar una herramienta, como un desarmador, para separar con cuidado la parte superior de la palanca fuera de la carcasa. Tener cuidado para evitar rayar la carcasa.

3. Poner ambas bisagras móviles de la puerta en su posición más baja posible, tal y como se muestra en la ilustración. Las bisagras izquierda y derecha de la puerta difieren ligeramente, pero funcionan de la misma forma.
4. Cerrar la puerta del horno hasta que se enganche en las palancas de tope de la bisagra, bloqueando las bisagras en el ángulo adecuado para extraer la puerta. La puerta se abrirá aprox. 7 pulgadas en la parte superior. Esto libera la tensión del muelle de las bisagras para que la puerta se pueda extraer con facilidad.

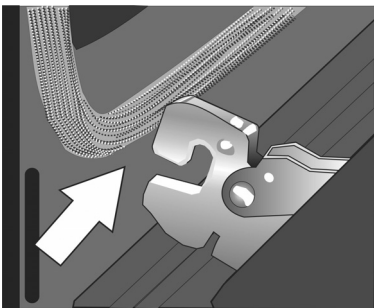


⚠ ATENCION

RIESGO DE PELLIZCO

Cerrar la puerta 7 pulgadas alivia la presión del muelle. Si no se procede de esta manera, la puerta se puede extraer igualmente, pero el pestillo se cerrará bruscamente y le pellizcará o cortará la mano.

5. La puerta es pesada. Usar ambas manos para sujetarla con firmeza por ambos lados. No sujetar la puerta por el asa. Mantener el ángulo de la puerta, elevar la puerta recta aprox. 3/4 pulgadas para sacar las bisagras de las ranuras y después jalar de ella hacia uno hasta que las bisagras hayan salido de la caja del horno.



6. Colocar la puerta en una ubicación adecuada y estable para limpiarla.

Instalar el horno en el gabinete

⚠ ATENCION

Se recomienda llevar guantes y manga larga para proteger las manos y los antebrazos de abrasión y posibles rasguños durante el proceso de levantamiento. También se recomienda quitar relojes y joyas y llevar calzado de trabajo durante la instalación para proteger los pies.

⚠ ATENCION

Se necesitan tres personas o el equipamiento adecuado para levantar de forma segura el horno de funcionamiento combinado hasta la abertura del gabinete.

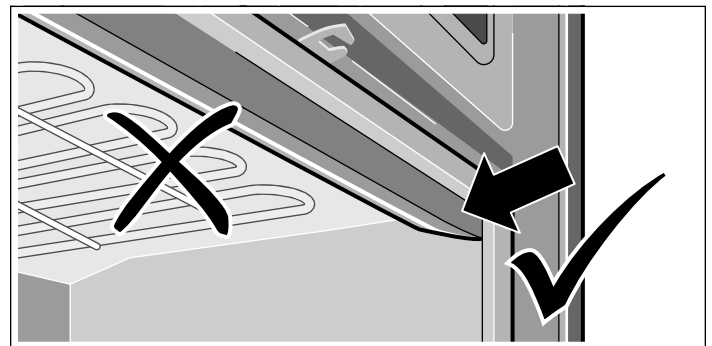
AVISO: Para evitar daños en la puerta, no levantar, jalar ni empujar la unidad durante la instalación mediante el uso de ninguna jaladera de la puerta del horno como punto de agarre.

Recomendaciones de levantamiento

Hay un reborde en todo el frontal superior de la cavidad del horno. Para levantarlo, agarrar este reborde con una mano y colocar la otra mano en la parte trasera de la unidad (con los ayudantes levantando desde los laterales de la unidad). Si hay un tercer ayudante que levanta desde el frontal, ambas manos deben sostener esta zona del reborde para levantarlo.

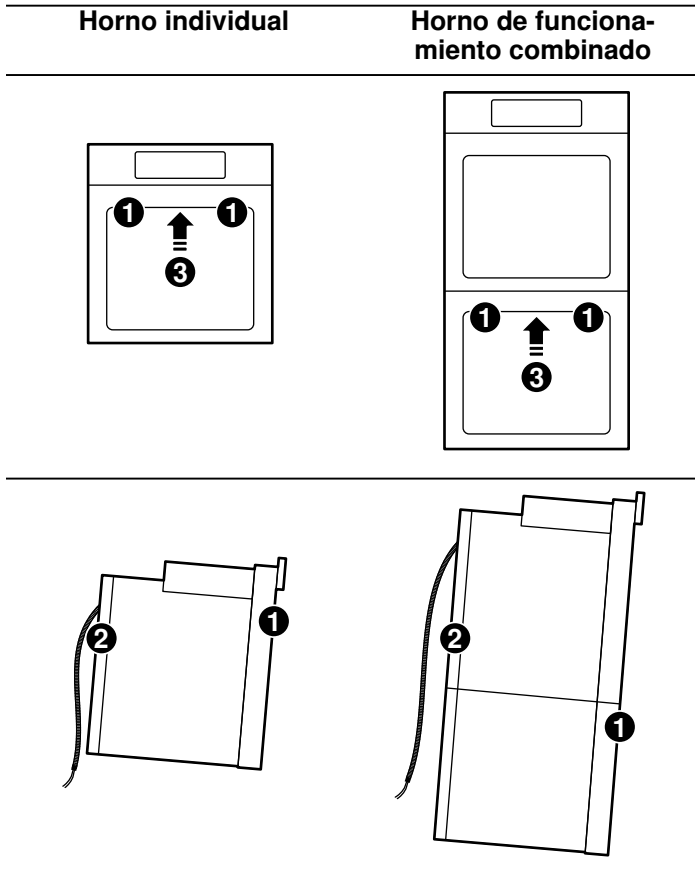
⚠ ATENCION

NO intentar levantar la unidad sosteniendo el elemento calefactor superior del horno.



Proceder a levantar el horno siguiendo las instrucciones de abajo una vez que se haya extraído la puerta

- Los puntos de agarre (1) en el frontal de la unidad están para levantar la unidad por los lados. El punto de agarre (3) en el frontal de la unidad está para que una tercera persona ayude a levantar la unidad.
- El punto de agarre (2) en la parte trasera de la unidad muestra la posición de la mano contraria para los ayudantes que levanten desde los laterales de la unidad. Ajustar la posición según sea necesario para levantarla más fácilmente.



Colocar el horno en la abertura del gabinete

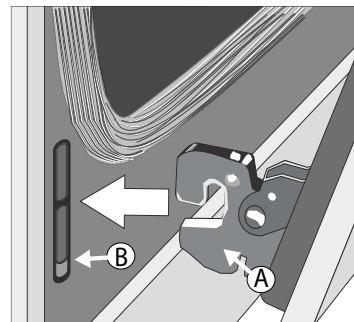
1. La unidad y el material de embalaje bajo ella (palet) deben colocarse justo delante de la abertura del gabinete antes de comenzar a levantar la unidad para ponerla en su sitio.
2. Levantar o deslizar la unidad hasta el hueco del gabinete sin permitir que la base de la unidad entre en contacto con el piso.
3. Guiar la unidad directamente al hueco del gabinete. Empujar la unidad hacia adentro hasta que el borde del horno sobresalga unas 2 pulgadas del gabinete.

Nota: Tener cuidado con no aplastar el conducto flexible entre el horno y la pared trasera del gabinete. En caso de ser necesario, guiar el conducto flexible en el orificio de acceso de la pared del gabinete, de modo que no evite que la unidad se pueda empujar en la abertura del gabinete. El horno debe estar recto y nivelado.

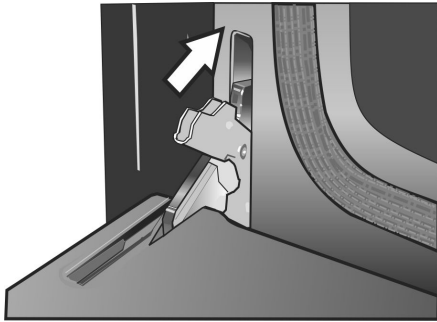
4. Empujar la unidad hasta el fondo del hueco del gabinete hasta que su borde frontal quede al mismo nivel que el frontal del gabinete.
5. Atornillar los tornillos suministrados en los orificios roscados de la moldura (2 tornillos para hornos individuales, 4 tornillos para hornos de funcionamiento combinado). Se recomienda taladrar orificios de guía para los tornillos de la moldura.
Para asegurar el correcto funcionamiento de la puerta y el horno, los tornillos se deben colocar frente a la moldura lateral.
6. Sustituir la puerta del horno según corresponda. Ver «Volver a colocar la puerta del horno».

Cómo cambiar la puerta del horno

1. Sujetando la puerta con firmeza con ambas manos, tomarla por los lados, no por la agarradera.
2. Inclinar la puerta de nuevo ligeramente hacia uno hasta que se abra aprox. 7 pulgadas (17.78 cm) en la parte superior.
3. Deslizar las bisagras en las ranuras tanto como sea posible y después bajar la puerta recta hacia abajo. Puede ser necesario ajustar el ángulo de la puerta ligeramente para permitir que las bisagras encajen adecuadamente y la puerta baje hasta su lugar. La puerta debe bajar aproximadamente 0.75" (1.90 cm) y detenerse. De no ser así, las bisagras no se han enganchado correctamente y la puerta podría caer al soltarla.



- Una vez que ambas bisagras están totalmente encajadas tal y como se describe en el paso 3, abrir con cuidado la puerta hasta que esté completamente abierta.
- Presionar las palancas de ambas bisagras hacia arriba y adelante hasta que queden bloqueados en la ranura y alineados con el frente del cuerpo del horno.



- Cerrar y abrir la puerta lentamente para asegurarse de que está bien colocada y de forma segura.

Probar el funcionamiento

- Encender la energía en el breaker.
- Probar el modo horno.
Seleccionar el modo HORNEADO (BAKE). Ver el Manual de uso y cuidado para obtener instrucciones detalladas del manejo.
- Verificar que la luz del horno se encienda y que el horno comience a precalentar.
- Probar la cerradura de la puerta.
Seleccionar el modo SELF CLEAN (Autolimpieza). Confirmar que la puerta se bloquea cuando aparece el símbolo de bloqueo en el display.
- Si alguna de las pruebas no resulta como se explicó anteriormente, contactar con el Servicio Técnico para obtener ayuda. Si todo es correcto, la instalación se ha completado en este momento.

Soporte de Bosch®

Antes de llamar al servicio técnico

Para obtener información sobre solución de problemas, ver el Manual de uso y cuidado. Ver la «Declaración de garantía limitada del producto» en el Manual de uso y cuidado.

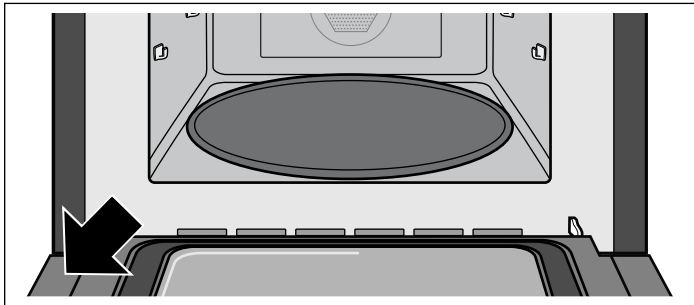
Para ponerse en contacto con un representante del servicio técnico, ver la información de contacto en la portada del manual o en la siguiente sección. Antes de llamar, tener preparada la información que aparece en la placa de características del producto.

Etiqueta de clasificación

Cada componente de un horno de funcionamiento combinado tiene su propia etiqueta de clasificación. En la etiqueta de clasificación se muestran el modelo, el número de FD y el número de serie. Consultar la etiqueta de clasificación al solicitar asistencia. La ubicación de la etiqueta de clasificación varía según el modelo del horno.

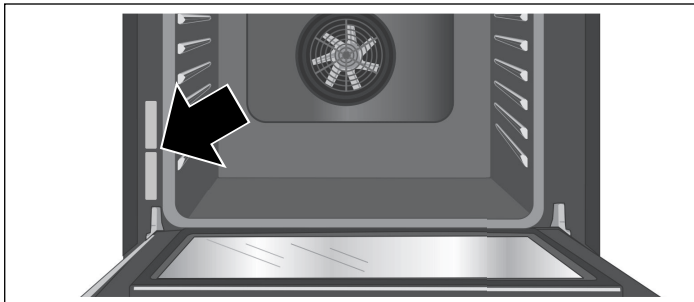
Ubicación de la placa de características del horno rápido

La placa de características del horno rápido se encuentra en el interior de la puerta del aparato.



Ubicación de la placa de características del horno convencional

La placa de características del horno convencional (inferior) se encuentra en el lateral izquierdo de la moldura de la puerta.



Para no perder tiempo buscando los distintos datos solicitados durante la llamada, estos pueden introducirse previamente en los espacios libres de abajo.

Horno convencional

N.º de modelo

N.º de fabricación

Horno rápido

N.º de modelo

N.º de fabricación

Fecha de compra

Servicio Técnico ☎

Conservar la factura o los documentos de compra que confirmen la validación de la garantía, en caso de que el aparato necesite servicio técnico.

Servicio técnico

Sabemos que usted ha realizado una inversión considerable en su cocina. Nos dedicamos a brindar asistencia a usted y a su aparato de manera que tenga muchos años de cocina creativa.

No dude en comunicarse con nuestro Departamento de Atención al Cliente si tiene alguna pregunta o en el caso poco probable de que su aparato Bosch® necesite servicio técnico. Nuestro equipo de servicio técnico está listo para asistirlo.

EUA

800-944-2904

www.bosch-home.com/us/support

Canadá

800-944-2904

www.bosch-home.ca/en/support

Piezas y accesorios

Puede comprar piezas, filtros, productos para eliminar el sarro, limpiadores para acero inoxidable y más artículos en la tienda electrónica de Bosch® o por teléfono.

EUA

www.bosch-home.com/us/store

Canadá

Marcone 800-482-6022

o

Reliable Parts 800-941-9217



8001137563

990220



BOSCH

Invented for life

1901 Main Street, Suite 600 • Irvine, CA 92614 • 800-944-2904
www.bosch-home.com • © 2019 BSH Home Appliances