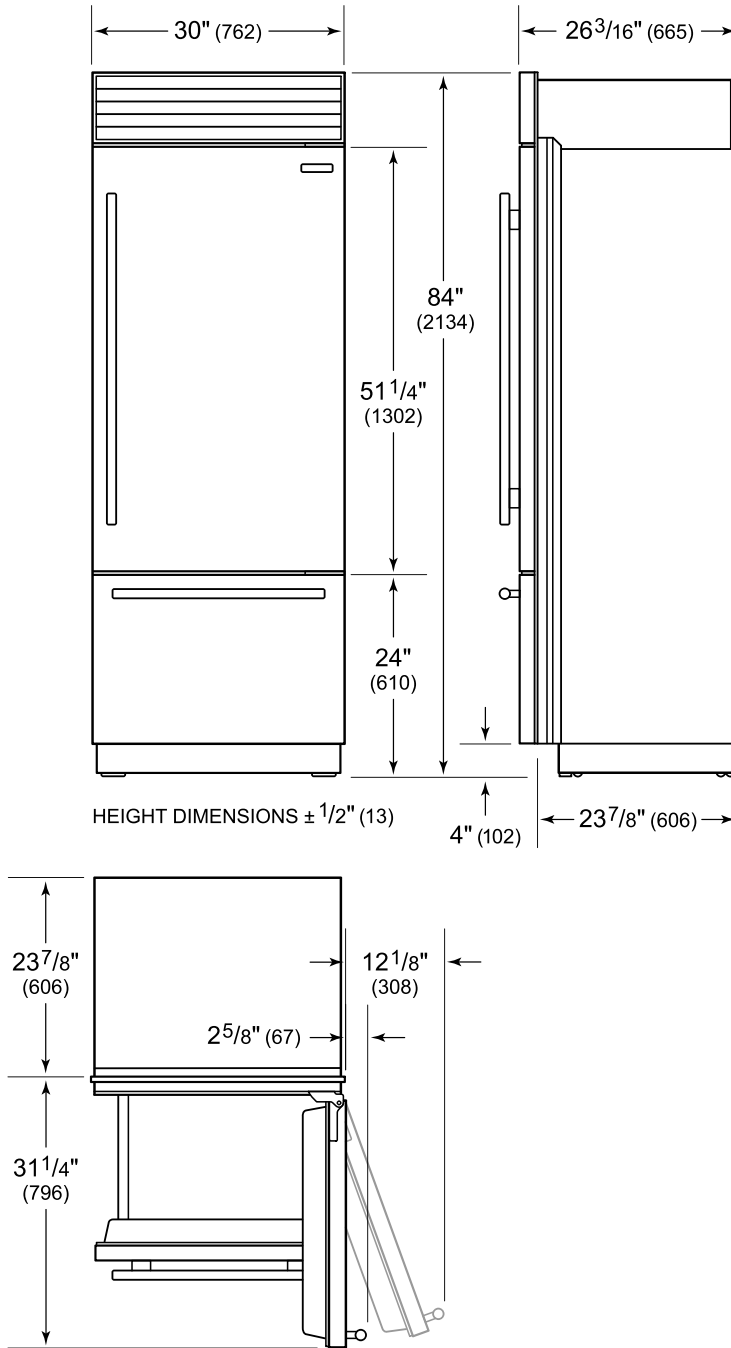
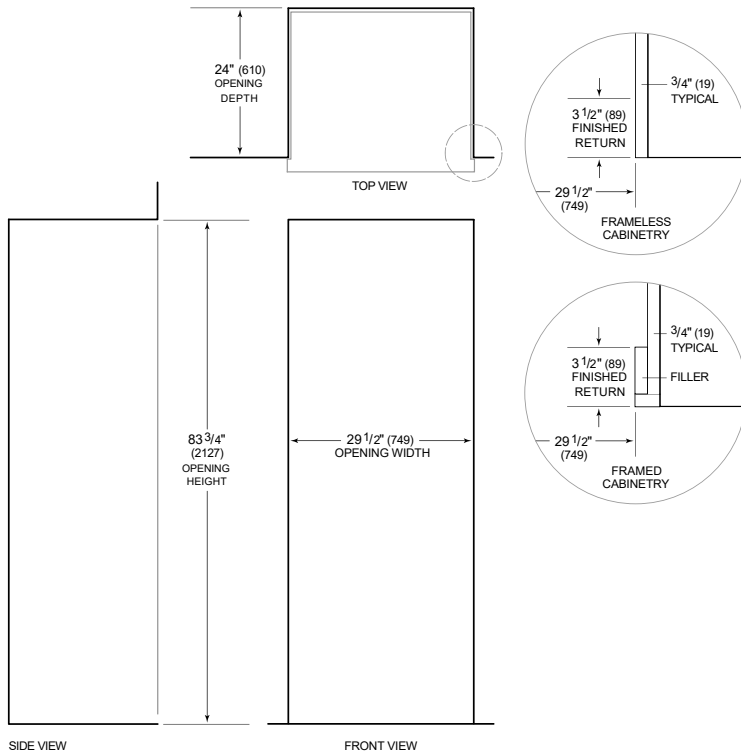


# Dimensions



# Standard Installation



NOTE: 3 1/2" (89) finished returns will be visible and should be finished to match cabinetry  
 Shaded line represents profile of unit.

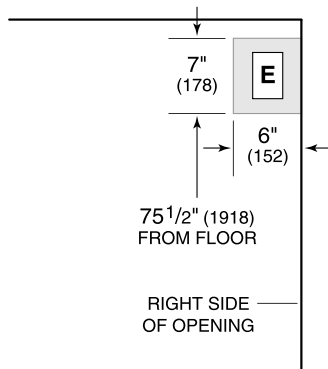
# Electrical Requirements

## Electrical Requirements

Electrical Supply 115 VAC, 60 Hz

Electrical Service 15 amp dedicated circuit

## Electrical Location Illustration



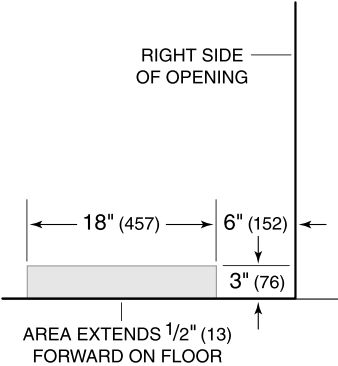
# Plumbing Requirements

## Plumbing Requirements

Plumbing Supply 1/4" OD copper, braided stainless steel or PEX tubing

Plumbing Pressure 35–120 psi

## Plumbing Supply Illustration



# Interior View

