

INSTALLATION INSTRUCTIONS

36" GAS RANGE

**INSTALLATION AND SERVICE MUST BE PERFORMED BY A QUALIFIED INSTALLER.
IMPORTANT: SAVE FOR LOCAL ELECTRICAL INSPECTOR'S USE.
READ AND SAVE THESE INSTRUCTIONS FOR FUTURE REFERENCE.**



⚠ WARNING FOR YOUR SAFETY: Do not store or use gasoline or other flammable vapors and liquids in the vicinity of this or any other appliance.

Table of Contents

Important Safety Instructions	2-4	Oven Rack Installation	15
Product Dimensions.....	5	Level the Range.....	16
Cabinet Dimensions	6	Anti-Tip Installation.....	16-17
Cabinet Construction	7-8	Burner Assembly Installation.....	18-19
Electrical Requirements.....	8-9	Check Oven Operation	20
Power Supply Cord	9-10	After Installation.....	20
Fuel Supply Requirements	10-13		
Connect Fuel Supply	14		

Important Notes to the Installer

1. Read all instructions contained in these installation instructions before installing range.
2. Remove all packing material from the oven and the storage drawer compartments before connecting the electrical supply to the range.
3. The anti-tip device supplied with the appliance must be installed.
4. Observe all governing codes and ordinances.
5. Be sure to leave these instructions with the consumer

Important Notes to the Consumer

1. Keep these instructions with your Use and Care guide for future reference.
2. When using any appliance generating heat, there are safety precautions you must follow. These precautions are explained in your Use and Care manual. Read your manual carefully.
3. Be sure your appliance is installed and grounded by a qualified installer or service technician.

36" GAS RANGE INSTALLATION INSTRUCTIONS

IMPORTANT SAFETY INSTRUCTIONS

This appliance must be installed, grounded, and serviced by a qualified installer or service technician.

This manual contains important safety symbols and instructions. Please pay attention to these symbols and follow all instructions given. Do not attempt to install or operate your appliance until you have read the safety precautions in this manual. Safety items throughout this manual are labeled with a WARNING or CAUTION statement based on the risk type.

Warnings and important instructions appearing in this guide are not meant to cover all possible conditions and situations that may occur. Common sense, caution, and care must be exercised with installing, maintaining, or operating your appliance.

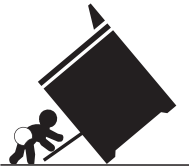
⚠ This is the safety alert symbol. It is used to alert you to potential personal injury hazards. Obey all safety messages that follow this symbol to avoid possible injury or death.

⚠ WARNING Indicates a potentially hazardous situation which, if not avoided, may result in death or serious injury.

⚠ CAUTION Indicates a potentially hazardous situation which, if not avoided, may result in minor or moderate injury.

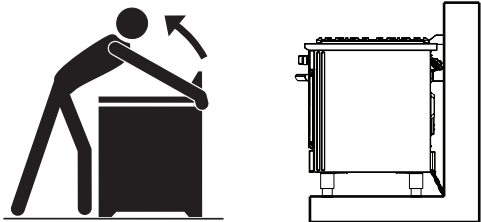
IMPORTANT: Indicates installation, operation, maintenance, or valuable information that is not hazard related.

⚠ WARNING Tip Over Hazard



- A child or adult can tip the range and be killed.
- Verify the anti-tip device has been installed to floor or wall.

- Ensure the anti-tip device is re-engaged to floor or wall when the range is moved.
- Do not operate the range without the anti-tip device in place and engaged.
- Failure to follow these instructions can result in death or serious burns to children and adults.



To check if the anti-tip device is installed properly, use both arms to grasp the rear edge of the range back. Carefully attempt to tilt range forward. When properly installed, the range should not tilt forward.

Refer to the anti-tip installation instructions supplied with your range for proper installation.

⚠ WARNING If the information in this manual is not followed exactly, a fire or explosion may result causing property damage, personal injury or death.

FOR YOUR SAFETY:

- Do not store or use gasoline or other flammable vapors and liquids in the vicinity of this or any other appliance.
- WHAT TO DO IF YOU SMELL GAS:
 - Do not try to light any appliance.
 - Do not touch any electrical switch; do not use any phone in your building.
 - Immediately call your gas supplier from a neighbor's phone. Follow the gas supplier's instructions.
 - If you cannot reach your gas supplier, call the fire department.
- Installation and service must be performed by a qualified installer, servicer or the gas supplier.

36" GAS RANGE INSTALLATION INSTRUCTIONS

WARNING

- **Excessive Weight Hazard** - Use two or more people to move and install range. Failure to follow this instruction can result in back or other injury.
- **Storage In or On Appliance** - Flammable materials should not be stored in an oven or microwave, near surface burners or elements, or in the storage or warmer drawer (if equipped). This includes paper, plastic, and cloth items, such as cookbooks, plastic ware, and towels, as well as flammable liquids. Do not store explosives, such as aerosol cans, on or near the appliance.
- **Do not leave children alone** - Children should not be left alone or unattended in the area where appliance is in use. They should never be allowed to sit or stand on any part of the appliance, including the storage drawer, lower broiler drawer, warmer drawer, or lower double oven.
- Do not store items of interest to children in the cabinets above the appliance or on the backguards of ranges. Children climbing on or near the appliance to reach items could be seriously injured.
- Stepping, leaning, or sitting on the door or drawers of this appliance can result in serious injuries and also cause damage to the appliance.
- Do not use oven or warmer drawer (if equipped) for storage.
- Never use your appliance as a space heater to heat or warm the room. Doing so may result in carbon monoxide poisoning and overheating of the appliance.
- Do not store or use gasoline or other flammable vapors and liquids in the vicinity of this or any other appliance.
- Air curtain or other overhead range hoods which operate by blowing a downward air flow onto a range or cooktop, shall not be used in conjunction with gas ranges or cooktops other than when the range or cooktop and hood have been designed, tested, and listed by an independent test laboratory for use in combination with each other.

IMPORTANT INSTRUCTIONS FOR UNPACKING AND INSTALLATION

Read and follow the below instructions and precautions for unpacking, installing, and servicing your appliance:

- Destroy the carton and plastic bags after unpacking the appliance. Never allow children to play with packaging material. Do not remove the wiring label and other literature attached to the appliance. Do not remove model/serial number plate.
- Cold temperatures can damage the electronic control. When using this appliance for the first time, or when the appliance has not been used for an extended period of time, be sure the appliance has been in temperatures above 32°F (0°C) for at least 3 hours before turning on the power to the appliance.
- Never modify or alter the construction of the appliance by removing the leveling legs, panels, wire covers, anti-tip device, or any other part of the appliance.
- Proper Installation—Be sure your appliance is properly installed and grounded by a qualified technician. In the United States, install in accordance with the National Fuel Gas Code ANSI Z223.1/NPFA No. 54, latest edition and National Electrical Code NFPA No. 70 latest edition, and local electrical code requirements. In Canada, install in accordance with CAN/CGA B149.1 and CAN/CGA B149.2 and CSA Standard C22.1, Canadian Electrical code, Part 1-latest editions and local electrical code requirements. Install only per installation instructions provided in the literature package for this appliance.
- The installation of appliances designed for manufactured (mobile) home installation must conform with Manufactured Home Construction and Safety Standard, title 24CFR, part 3280 [Formerly the Federal Standard for Mobile Home Construction and Safety, title 24, HUD (part 280)] or when such standard is not applicable, the Standard for Manufactured Home Installation 1982 (Manufactured Home Sites, Communities and Setups), ANSI Z225.1/NFPA 501A-latest edition, or with local codes in United States and with CAN/CSA-Z240 MH in Canada.

36" GAS RANGE INSTALLATION INSTRUCTIONS

- Before installing the range in an area covered with linoleum or any other synthetic floor covering, make sure the floor covering can withstand heat at least 90°F (32.2°C) above room temperature without shrinking, warping or discoloring. Do not install the range over carpeting unless you place an insulating pad or sheet of ¼" (0,64 cm) thick plywood between the range and carpeting.
- Make sure the wall coverings and cabinet materials around the range can withstand the heat generated by the appliance.
- To eliminate the risk of burns or fire by reaching over heated surface units, cabinet storage space above the surface unit should be avoided. If cabinet storage is to be provided the risk can be reduce by installing a range hood that projects horizontally a minimum of 5 inches beyond the bottom of the cabinet.
- Do not obstruct airflow at the oven vent, around the base, or beneath the lower front panel of the appliance. This appliance requires fresh air for proper operation.
- Be sure to have an appropriate foam-type fire extinguisher available, visible, and easily accessible located near the appliance.

IMPORTANT INSTRUCTIONS FOR SERVICE AND MAINTENANCE

- Do not repair or replace any part of the appliance unless specifically recommended in the manuals. All other servicing should be done only by a qualified technician. This reduces the risk of personal injury and damage to the appliance.
- Always contact your dealer, distributor, service agent, or manufacturer about problems or conditions you do not understand.
- Ask your dealer to recommend a qualified technician and an authorized repair service. Know how to disconnect the power to the appliance at the circuit breaker or fuse box in case of an emergency.
- Remove the oven door from any unused oven if it is to be stored or discarded.
- Do not touch a hot oven light bulb with a damp cloth. Doing so could cause the bulb to break. Handle halogen lights (if equipped) with paper towels or soft gloves. Disconnect the appliance or shut off the power to the appliance before removing and replacing the bulb.

SPECIAL INSTRUCTIONS FOR APPLIANCES INSTALLED IN THE STATE OF MASSACHUSETTS

This appliance can only be installed in the State of Massachusetts by a Massachusetts licensed plumber or gas fitter. When using a flexible gas connector, it must not exceed 3 feet (36 inches) in length. A "T" handle type manual gas valve must be installed in the gas supply line to this appliance.

CONVERSION TO L.P. GAS

This appliance allows for conversion to Liquefied Petroleum (L.P.) Gas.

⚠ WARNING Personal injury or death from electrical shock may occur if the conversion to L.P. gas is not made by a qualified installer or electrician. Any additions, changes or conversions required in order for this appliance to satisfactorily meet the application needs must be made by a qualified technician.

If L.P. conversion is needed, contact your local L.P. Gas provider for assistance. The L.P. conversion kit is provided with this appliance and is located on the lower REAR (back side) panel of the range. Before installing the kit be sure to read the L.P. Installation Instructions and follow them carefully when making the installation.

36" GAS RANGE INSTALLATION INSTRUCTIONS

Product Dimensions

⚠ WARNING Do not install the unit in the cabinet before reading next two pages.

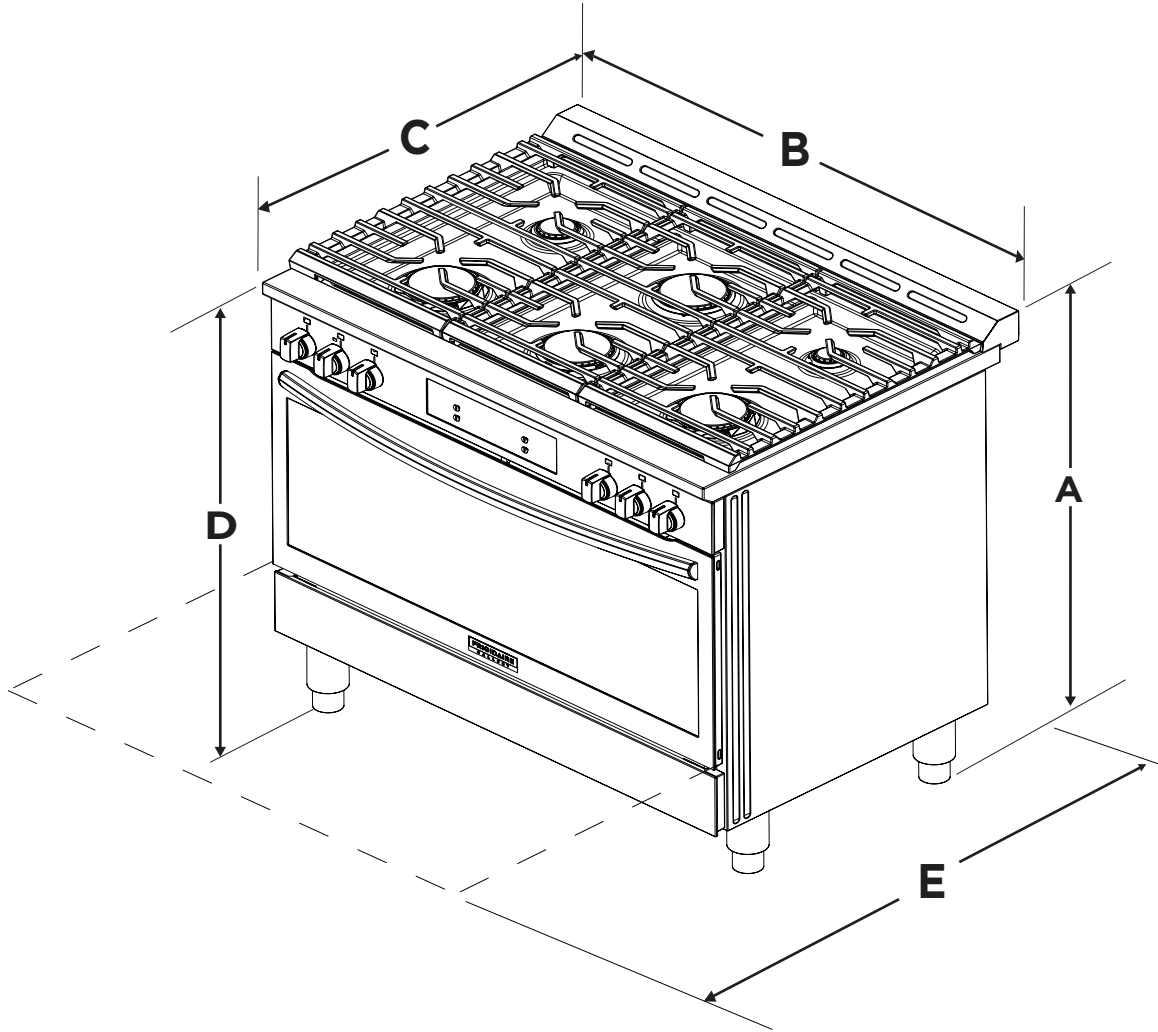


Figure 1: Product Dimensions

MODEL	A. HEIGHT	B. WIDTH	C. DEPTH TO FRONT OF RANGE	D. HEIGHT OF COOKTOP	E. DEPTH WITH DOOR OPEN
36"	37 7/8" (96.2 cm) Min.	35 7/8" (91.1 cm)	25 7/8" (65.7 cm)	35 3/4" (90.8 cm) Min.	43 3/8" (110.1 cm)
	38 5/8" (98.1 cm) Max.			36 1/2" (92.7 cm) Max.	

36" GAS RANGE INSTALLATION INSTRUCTIONS

Cabinet Dimensions

Clearances and Dimensions

- Provide adequate clearances between the appliance and adjacent combustible surfaces.
- Location - Check location where the appliance will be installed. Check for proper electrical supply and floor stability.
- Dimensions shown must be used. Given dimensions provide minimum clearance. Contact surface must be solid and level.

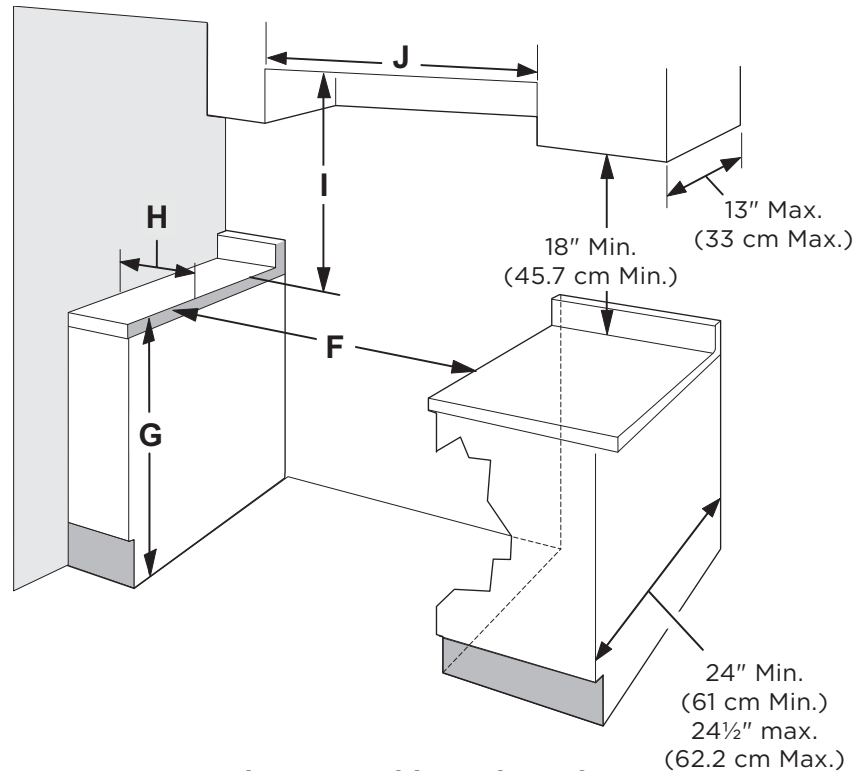


Figure 2: Cabinet Dimensions

MODEL	F. MINIMUM CUTOUT WIDTH	G. HEIGHT OF COUNTERTOP	H. CLEARANCE FROM SIDE WALLS ²	I. CLEARNACE FROM COOKTOP AND CABINET BOTTOM ³	J. CLEARANCE WIDTH OF OVERHEAD CABINETS
36"	36" (91.4 cm)	36" (91.4 cm) Standard 35 3/4" (90.8 cm) Min.	5" (12.7 cm) Min.	36" (91.4 cm) Min.	36" (91.4 cm) Min.

NOTES:

1. Do not seal the range to the side cabinets.
2. Clearance from adjacent walls or other vertical surfaces or structures such as cabinets.
3. Measurements listed are minimum clearances between the cooktop and the bottom of the cabinet.
4. 0" clearance between range and cabinets or vertical surfaces that are below the cooktop height.
5. 0" clearance between range back and rear wall or cabinet.

*36" (914 mm) minimum clearance between the top of the cooking surface and the bottom of an unprotected wood or metal cabinet; or 30"(762 mm) minimum when bottom of wood- or metal cabinet is protected by not less than 1/4"(6mm) flame retardant millboard covered with not less than no.28 MSG sheet steel, 0.015"(0.4mm) stainless steel, 0.024"(0.6mm) aluminum or 0.020"(0.5mm) copper. 0"(0mm) clearance is the minimum for the rear of the range.

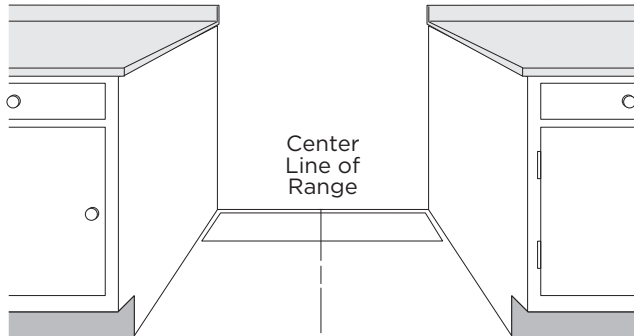
Follow all dimension requirement provided above to prevent property damage, potential fire hazard, and incorrect countertop and cabinet cuts.

36" GAS RANGE INSTALLATION INSTRUCTIONS

1 Cabinet Construction

⚠ CAUTION

To eliminate the risk of burns or fire by reaching over heated surface units, do not have cabinet storage space above the range. If there is cabinet storage space above range, reduce risk by installing a range hood that projects horizontally a minimum of 5" (12.7 cm) beyond the bottom of the cabinet.



Follow instructions for the type of installation you have

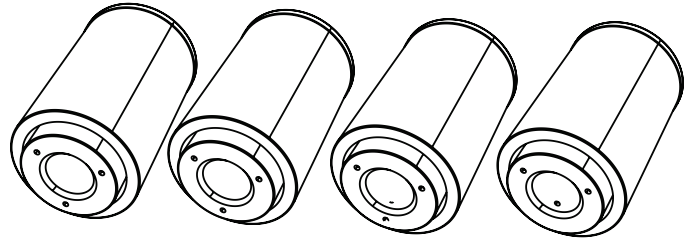
Figure 3: Cabinet construction

1.1 Installation: Cabinet on Both Sides

1. If range will be installed with a cabinet on both sides, Draw a center line on the floor between the cabinets (Figure 3).
2. If back of range will not be flush with the wall (the location of the outlet may not allow the range to be positioned against the wall), draw a line on the floor where the back edge of the range will be.
3. Install anti-tip device (see "Anti-Tip Installation").

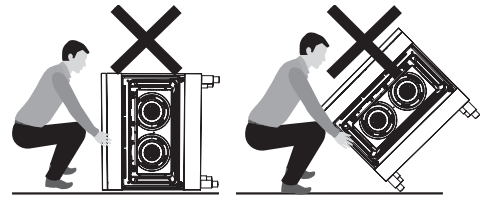
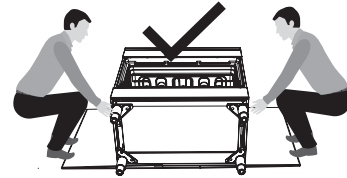
1.2 Installation of screw-in feet

Freestanding appliance are supplied with four screw-in feet in the internal accessory pack. The screw-in feet can be adjusted by turning the lower half clockwise or anti-clockwise.



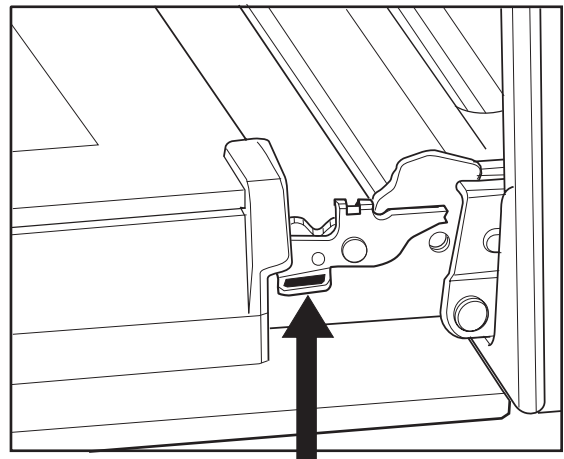
⚠ WARNING

Heavy item! This step must be performed by two persons.



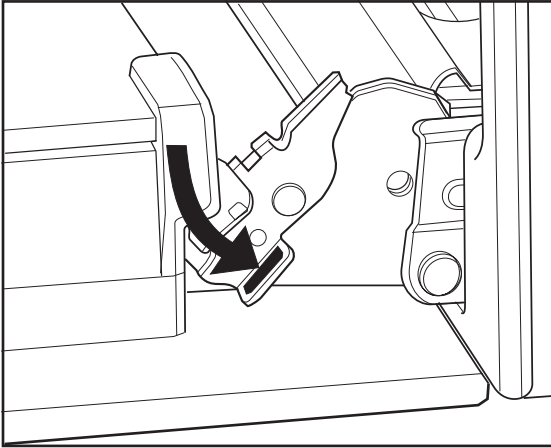
Note: You MUST remove the oven door before commencing installation.

1. Open oven door completely, horizontal with floor.
2. Locking tab up at normal position.

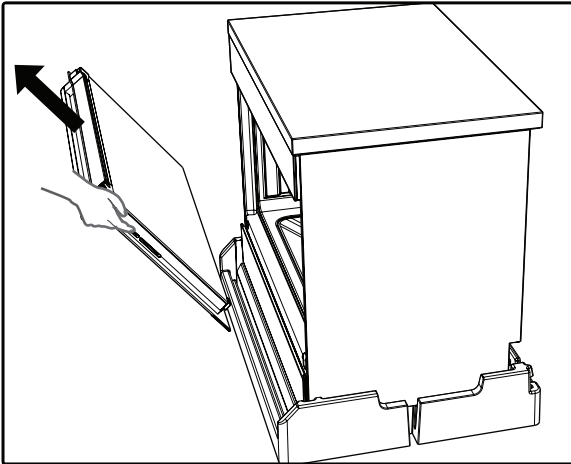


36" GAS RANGE INSTALLATION INSTRUCTIONS

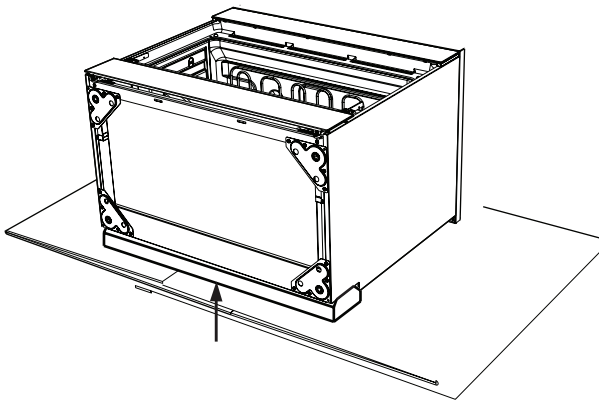
3. Press the locking tab down for removing the door.



4. Gently close the door until it comes to a stop. Then lift the door off the hinge.



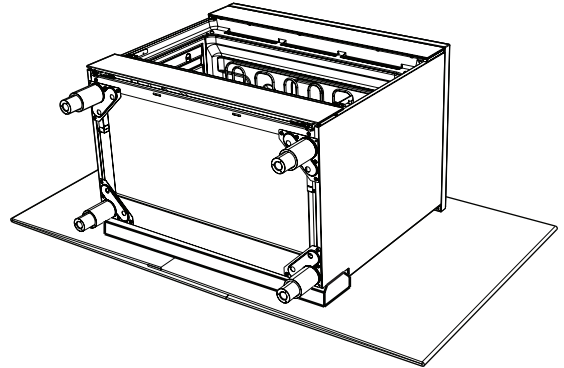
5. Tilt and carefully lay the appliance on its back to gain access to the installation point for the screw in feet.



⚠ CAUTION

To avoid scratching the floor and the appliance itself, fold the packaging carton board and place it underneath the appliance as protection.

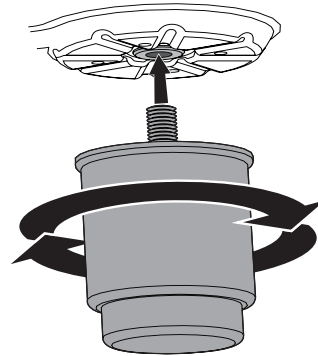
6. Install the four supplied feet via the four installation points. Make sure that each foot is securely fastened.



⚠ CAUTION

Do not over-torque the foot.

7. Adjust the height of the screw-in feet to make sure the hob surface is above the bench when appliance is upright.



36" GAS RANGE INSTALLATION INSTRUCTIONS

2 Electrical Requirements

⚠ WARNING

Electrical Shock Hazard – Electrical ground is required on this appliance. Use only the power cord supplied with the appliance. Improper connections and grounding may result in electric shock, damage to the appliance, personal injury, fire or death.

2.1 Grounding Requirements

This appliance must be installed and grounded by a qualified technician.

In the United States, install in accordance with the National Fuel Gas Code ANSI Z223.1/NPFA No. 54, latest edition and National Electrical Code NFPA No. 70 latest edition, and local electrical code requirements. In Canada, install in accordance with CAN/CGA B149.1 and CAN/CGA B149.2 and CSA Standard C22.1, Canadian Electrical code, Part 1-latest editions and local electrical code requirements.

This appliance requires a dedicated, properly grounded and polarized branch circuit protected by a 15 amp GFI (ground fault interrupter) circuit breaker or time delay fuse. See serial plate for proper voltage.

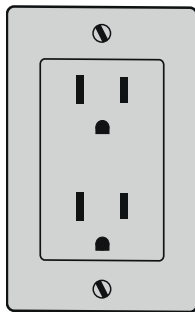


Figure 4: 3-Prong Gounded Electrical Outlet

For personal safety, this appliance must be properly grounded. For maximum safety, the power cord must be plugged into an electrical outlet that is the correct voltage, is correctly polarized and properly grounded in accordance with local codes. It is the personal responsibility of the consumer to have the appropriate outlet with the correct, properly grounded wall receptacle installed by a qualified electrician.

Be sure the wall receptacle is within reach of the appliance's final installed location.

Do not pinch the power supply cord between the range and the wall.

Recommended Wall Outlet Installation Locations

Suggested location of the wall outlet is shown in Figure 5. The outlet may also be located in the lower left corner of the adjacent right cabinet, as shown in Figure 6.

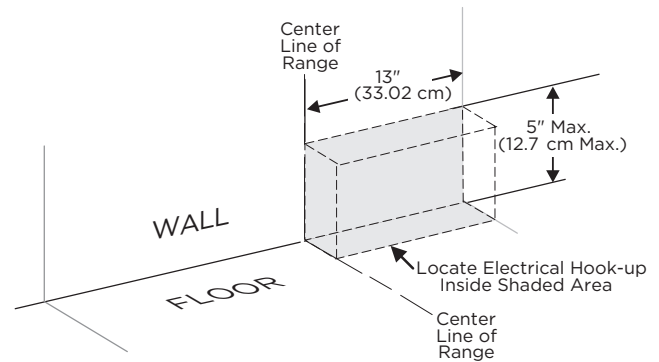


Figure 5: Outlet Location

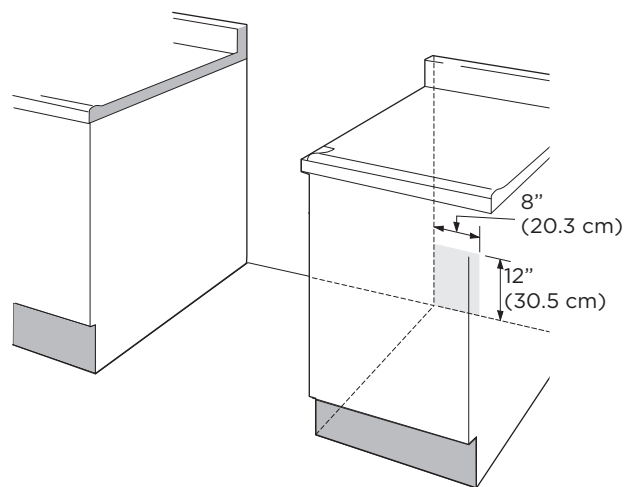


Figure 6: Adjacent Cabinet Outlet Location

36" GAS RANGE INSTALLATION INSTRUCTIONS

3 Power Supply Cord

⚠ WARNING

Electrical Shock Hazard -Do not attempt to install the appliance directly to a junction box, modify the factory-installed cord, or connect a different power cord to the appliance. If the wall outlet is not sufficient to support the requirements of this appliance, it is the responsibility of the consumer to have the appropriate outlet installed by an electrician. Improper installation and electrical connections can result in electric shock, damage to the appliance, personal injury, fire, or death.

This appliance is equipped with a 3-prong grounding plug for your protection against shock hazard and should be plugged directly into a properly grounded receptacle. Do not cut or remove the grounding prong from this plug.

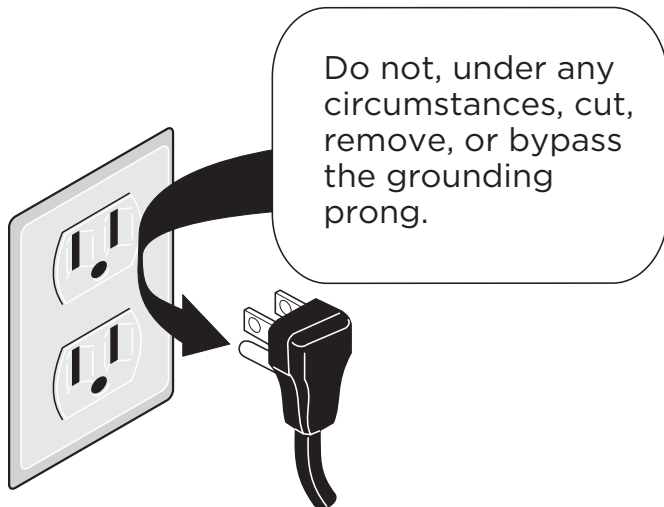


Figure 7: Factory connected power supply cord

For personal safety, the appliance must be properly grounded. For maximum safety, the power cord must be plugged into an electrical outlet that is correctly polarized and properly grounded.

If a 2-prong wall receptacle is the only available outlet, it is the personal responsibility of the consumer to have it replaced with a properly grounded 3-prong wall receptacle, installed by a qualified technician.

4 Fuel Supply Requirements

This unit is designed to operate on 4"(10.16 cm) water column (1.0 kPa) natural gas manifold pressure.

A convertible pressure regulator is supplied with the unit. It must be connected in series with the gas supply line using instructions from section 4.1. The intended location for the regulator is shown in Figure 8.

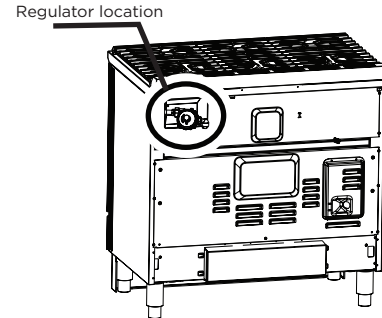


Figure 8: Regulator location

For proper operation, the maximum inlet pressure to the regulator should be no more than 14" (35.56 cm) of water column pressure (3.5 kPa).

The inlet pressure to the regulator must be at least 1" (0.25 kPa) greater than the regulator manifold pressure setting. The regulator is set for 4" (10.16 cm) water column (1.0 kPa) Natural gas manifold pressure; the inlet pressure must be at least 5" (12.60 cm) water column (1.25 kPa) Natural gas.

For operation at 2000 ft. above sea level, appliance rating is reduced by 4 percent for each additional 1000 ft.

4.1 Regulator installation

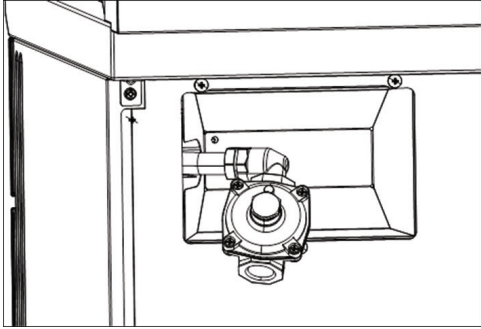
There are 2 different types of installation for regulators. Please check the regulator assembly kit provided with the unit to identify which of the following installations applies to your range.

Installation using Brass elbow

If you have a brass elbow provided in the kit then this installation applies to your range.

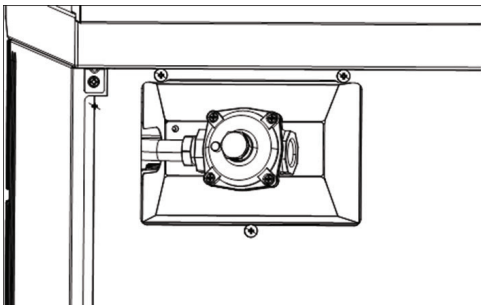
1. Apply the pipe-joint sealant (not supplied) on the threaded end of the gas rail inlet then attach the brass elbow on the gas rail by rotating the hex nut using the adjustable wrench.
2. Apply the pipe-joint sealant (not supplied) on the other end of the brass elbow. Attach the regulator to it by rotating the hex on it using a wrench. Use the hex nut on the brass elbow to hold the gas rail when tightening the hex nut on the regulator.
3. Make sure connections are leakproof. Do not over tighten.

36" GAS RANGE INSTALLATION INSTRUCTIONS



Installation without the brass elbow

1. If you do not have the brass elbow provided in the kit then this installation applies to your range.
2. Apply the pipe-joint sealant (not supplied) on the threaded end of the gas rail inlet and then attach the regulator and tighten the hex nut on it using an adjustable wrench. The hex nut on the gas rail inlet is welded and will not rotate. Use it to hold the rail using a wrench while tightening the hex nut on the regulator.
3. Make sure connections are leakproof. Do not overtighten.



4.2 Gas Supply Location

The gas supply piping can be through the side wall of the right cabinet. The right side cabinet is an ideal location for the main shutoff valve, if the range is installed within cabinet storage space.

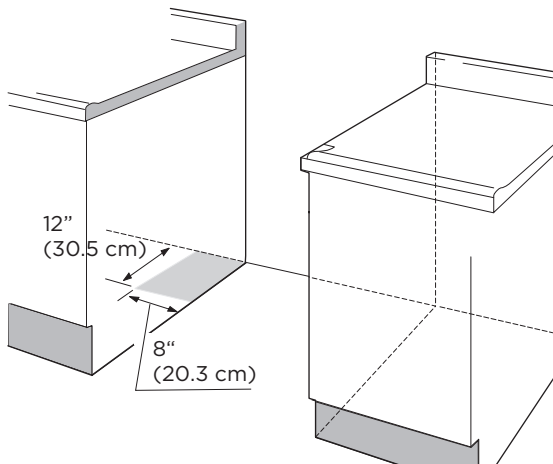


Figure 9: Recommended gas supply location

4.3 Shutoff Valve

The supply line should be equipped with an approved shutoff valve as shown in Figure 10. This valve should be located in the same room as the range and should be in a location that allows ease of opening and closing. Do not block access to the shutoff valve. The valve is for turning on or shutting off gas to the appliance.

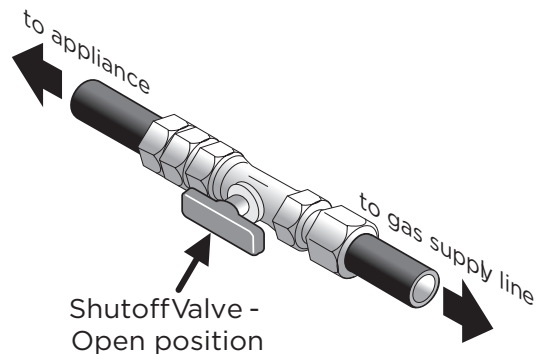


Figure 10: Shutoff valve

The gas supply between the shutoff valve and the regulator may be connected by rigid piping or by A.G.A./C.G.A.- approved flexible metallic union-connected piping where local codes permit use.

The user must know the location of the main shutoff valve and have easy access to it.

4.4 Conversion to Propane gas (LPG)

⚠ WARNING

- Before proceeding with the gas conversion, the gas supply must be turned off before disconnecting the electrical power.
- A gas leak test should be performed after the gas conversion has been carried out.

Always provide an adequate gas supply.

This appliance is shipped from the factory for use with natural gas. Use this kit to convert the appliance for use with propane gas, if necessary. Comply with the following:

- Ensure that the range is converted for use with the appropriate gas before using it.
- This appliance is designed to operate at a pressure of 10" of water column when used with propane gas.

When checking if the regulator is working properly, the inlet pressure must be at least 1" greater than the operating (manifold) pressure above. When converting for propane gas use, the pressure supplied to the regulator must be between 11" and 13" of the water column.

36" GAS RANGE INSTALLATION INSTRUCTIONS

The pressure regulator located in the inlet of the range manifold must remain in the supply line.

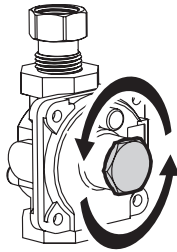
Use a flexible metal appliance connector or rigid pipe to connect the range to the gas supply. The connector should have an inside diameter of 1/2" and be 5 ft (1.5 m) or less in length.

(Exception: Maximum connector length in Massachusetts installations is 3 ft (0.9 m). In Canada, the connector must be single-wall metal and not longer than 6 ft (1.8 m).

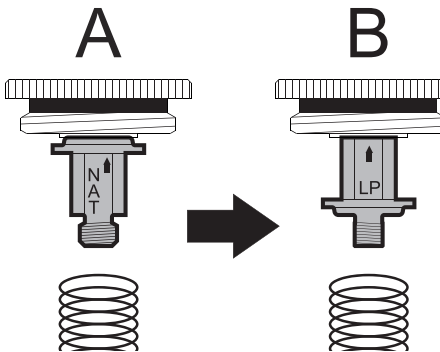
Save the nozzles removed from the appliance for future use.

Setting the pressure regulator for Propane Gas

1. Unscrew regulator cap.



2. Unscrew the plastic regulator stem from the regulator cap. Configuration "A" is for Natural Gas.
3. Invert the plastic regulator stem to achieve the configuration "B" for Propane Gas and screw it in tightly.



4. Screw the regulator stem and cap into place.

NOTE: When converting for Propane Gas use, the pressure supplied to the regulator must be between 11" and 13" of the water column.

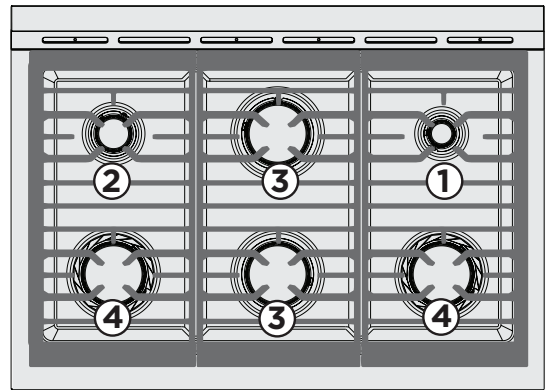
Replacing the cooktop burner nozzles

1. Remove the cooktop grates.
2. Remove the burner cap, the burner head and the burner cup (for Dual burner) from the burner base. Refer to figure 12.
3. Using the appropriate size socket, remove the nozzle.
4. Install the LP gas nozzles supplied in the kit. Do not overtighten. Refer to below table for nozzle part numbers.

NOTE: Dual burners (Burner 4) use two nozzles, one at the center and other at its periphery.

NOTE: Save the nozzles removed from the appliance for future use.

Burner and nozzles placements



LP gas nozzles table (Pressure in W.C.P.: 10")

Burner number	1	2	3	4
Center nozzle number	66	81	118	109
Peripheral nozzle number	-	-	-	40

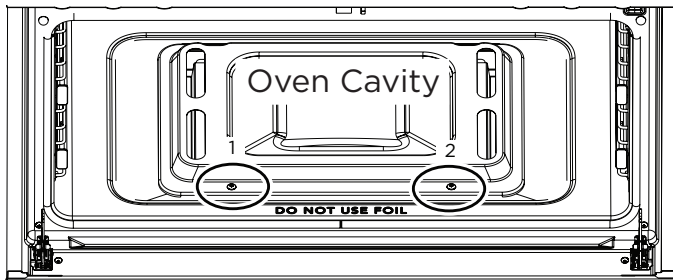
Natural gas nozzles table (Pressure in W.C.P.: 4")

Burner number	1	2	3	4
Center nozzle number	107	146	195	198
Peripheral nozzle number	-	-	-	55

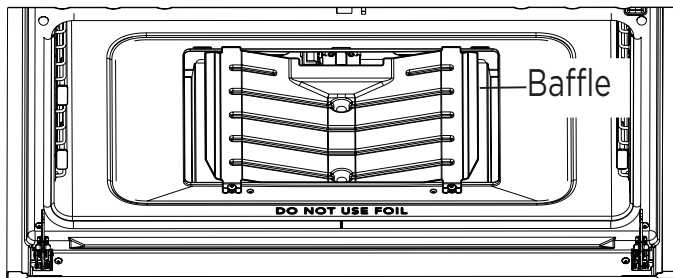
36" GAS RANGE INSTALLATION INSTRUCTIONS

4.5 Changing the bake burner injector

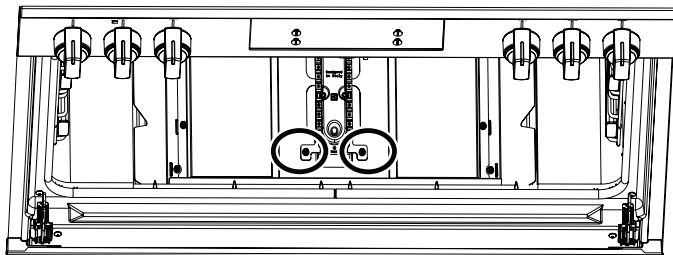
1. Remove the door completely using the instructions in section 1.2. This will help you reach the injector easily.
2. Remove all the oven racks. Do not remove the glide rails or side racks.
3. Remove the 2 screws shown below using a Philips head screwdriver and then disengage the 3 tabs located at the back side of the burner cover to remove it completely.



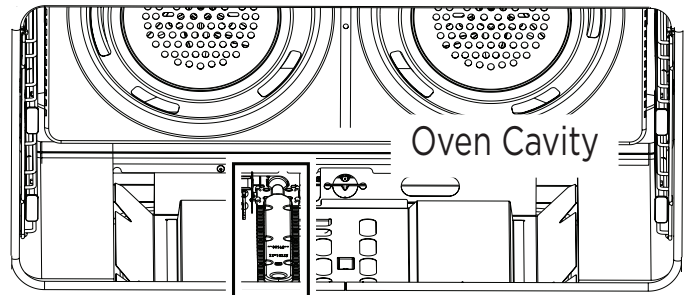
4. Disengage the 2 tabs located at the back of the baffle to remove it completely.



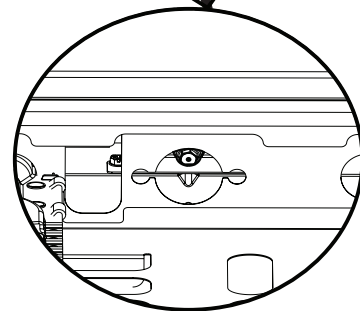
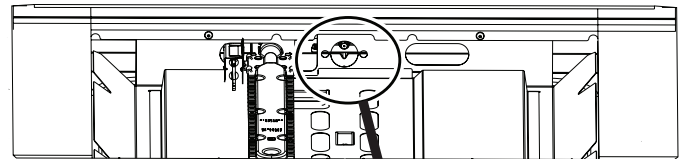
5. Remove the 2 screws attaching the burner to the cavity bottom using a Philips head screwdriver.



6. Carefully pull the burner out so that it disengages from the injector and slide it to the side. Make sure you do not damage the ignitor which is very fragile.



7. Use the 7mm socket wrench to unscrew the injector and replace it with the injector marked with "107" from the LP kit. Save the removed injector for future use.



8. Insert the burner back into its original position by pushing it in. Make sure the screw holes on the burner bracket are aligned with the holes on the cavity bottom. This will ensure that the burner and injector are assembled correctly. Attach the burner to the cavity bottom using the Philips head screws.
9. Reassemble the baffle and burner cover using the Philips head screw.
10. Put the oven racks back and reassemble the oven door.

36" GAS RANGE INSTALLATION INSTRUCTIONS

5 Connect Fuel Supply

5.1 Fuel Supply Connection

⚠ WARNING

This appliance must be installed, grounded, and serviced by a qualified installer or service technician.

⚠ CAUTION

Do not make connections too tight. The regulator is die cast. Overtightening may crack the regulator resulting in a gas leak and possible fire or explosion.

This appliance includes a regulator. The gas supply line requires the following parts which are not supplied with the appliance:

- Manual shutoff valve
- 1/2" nipples (3)
- 1/2" flare union adapter (3)
- Flexible connector

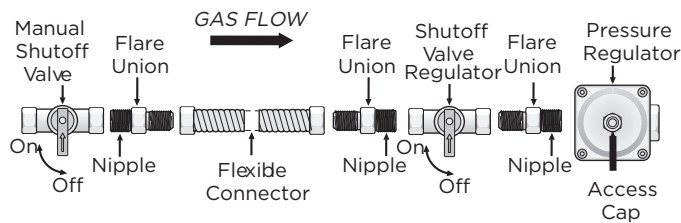


Figure 11: Fuel supply connection flow

The gas supply line to the shutoff valve should be 1/2" (1.27 cm) or 3/4" (1.9 cm) solid pipe.

Nipple connecting to the pressure regulator should be 1/2" 14 NPT.

Install the gas supply pipe to the pressure regulator in the order shown in Figure 11. All connections should be tightened with a wrench.

When using flexible gas conduit on the range, allow sufficient slack to pull the range outside the cutout for cleaning or servicing.

Use pipe-joint sealant made for use with Natural and LP/Propane gas to seal all gas connections. If flexible connectors are used, be certain connectors are not kinked.

Do not allow the flexible conduit to get pinched between the wall and the range.

5.2 Check For Leaks

⚠ WARNING

Do not use a flame to check for leaks from gas connections. Checking for leaks with a flame may result in a fire or explosion.

After connecting the range to the gas supply, check the system for leaks with a manometer. If a manometer is not available, turn on the gas supply and use a liquid leak detector (or soap and water) at all joints and connections to check for leaks. Leaks will be indicated by bubbles appearing at the connections or joints.

All openings in the wall or floor where the range is to be installed must be sealed.

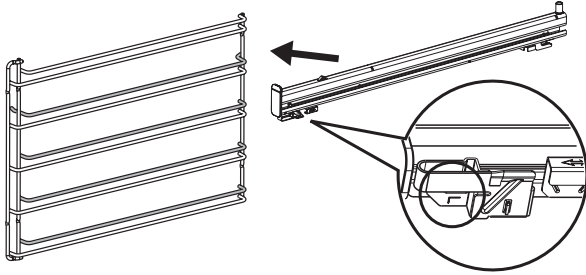
1. Tighten all connections if necessary to prevent gas leakage in the cooktop or supply line.
2. Disconnect this range and its individual shutoff valve from the gas supply piping system during any pressure testing of the system at test pressures greater than 1/2 psig (3.5 kPa or 14" (35.56 cm) water column).
3. Isolate the range from the gas supply piping system by closing its individual manual shutoff valve during any pressure testing of the gas supply piping system at test pressures equal to or less than 1/2 psig (3.5 kPa or 14" (35.56 cm) water column).

36" GAS RANGE INSTALLATION INSTRUCTIONS

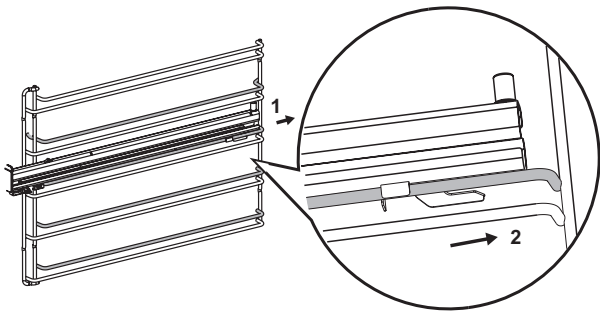
6 Oven Rack Installation

6.1 Installing the glide rack

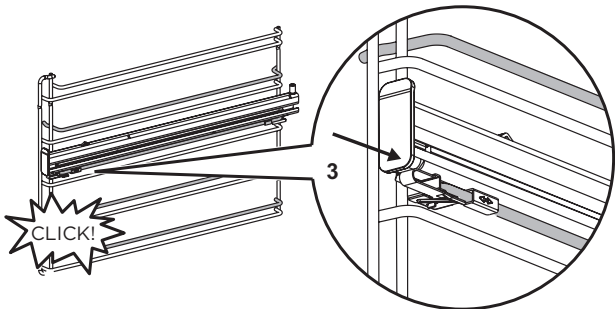
1. Obtain left hand side rack and left hand slide - see image to identify.



2. The shaded wires indicate the wire the slide can be mounted on. Fit slide rear clips to the rear of wire at an angle as shown below.

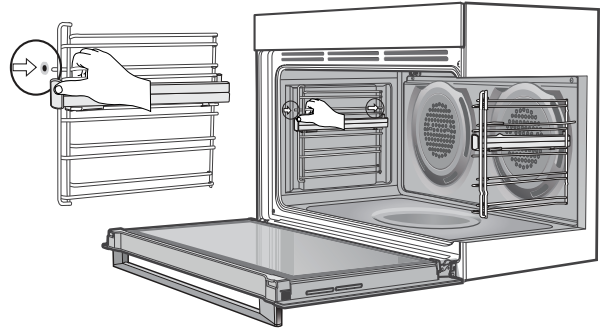


3. Push slide front clip over wire until secured.



6.2 Installing the side racks

1. Insert the rear peg into the rear access hole provided, ensuring peg is fully inserted.
2. Then locate the front peg into the front access hole and push in firmly.

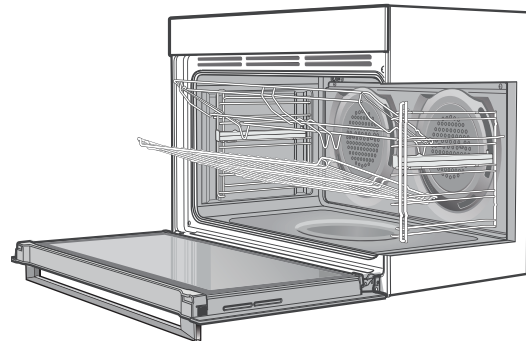


6.3 Fitting the oven racks between the side rack wires

The oven racks are designed so that they have maximum extension but cannot be accidentally pulled right out.

To fit oven racks to side racks:

1. Locate the rear edge of the oven rack in between guide rails of the side rack - see diagram.
2. Ensure the same rail positions on both sides of the oven are being engaged. With the front edge raised, begin to slide the oven rack into the oven.
3. Once the detents have passed the front edge of the side rack, the rack can be pushed completely in. When fully inserted the oven racks should not interfere with the closed oven door.

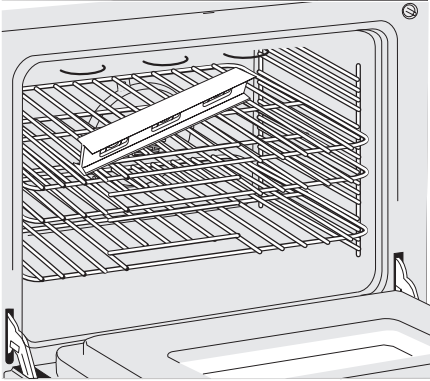


36" GAS RANGE INSTALLATION INSTRUCTIONS

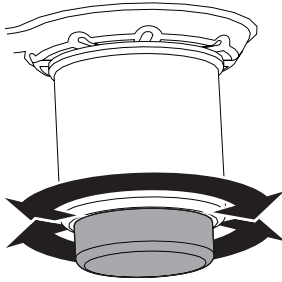
7 Level the Range

Level the range and set cooktop height before installation.

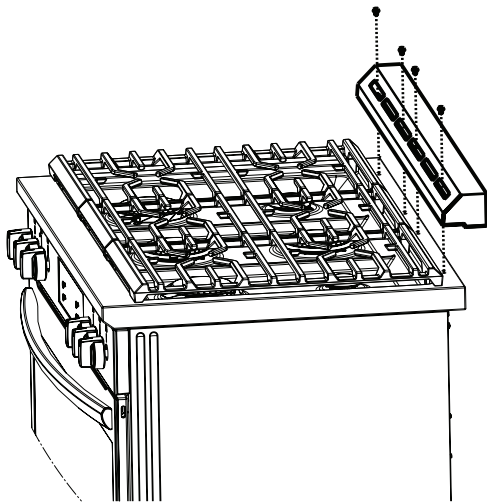
1. Install an oven rack in the center of the oven.
2. Place a level on the rack as shown in below figure. Take 2 readings with the level placed diagonally in one direction and then the other.



3. Screw or unscrew the bottom part of the foot until the appliance is stable and level on the floor.



Installing Vent trim



Fit vent trim to rear of hob with four screws provided.

8 Anti-Tip Installation

⚠ WARNING

To reduce the risk of tipping the appliance, the appliance must be secured to the floor or wall by the properly installed anti-tip chain, hook and screw packed with the range. These parts are located in the oven. Failure to install the anti-tip chain will allow the range to tip over if excessive weight is placed on an open door or if a child climbs on it. Serious injury might result from spilled hot liquids or from the range itself.

If range is ever moved to a different location, the anti-tip device must also be moved and installed with the range.

8.1 Installation of the anti-tip chain and hook

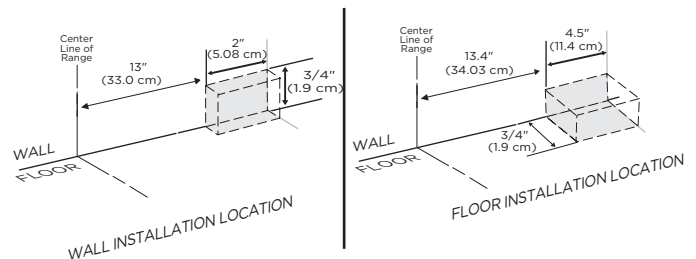
To ensure range stability, the anti-tip chain and hook must be installed into wood subfloor or wood baseplate in the wall.

The following steps must be followed to ensure the correct installation of anti-tip chain and hook for the stability of the appliance.

⚠ CAUTION

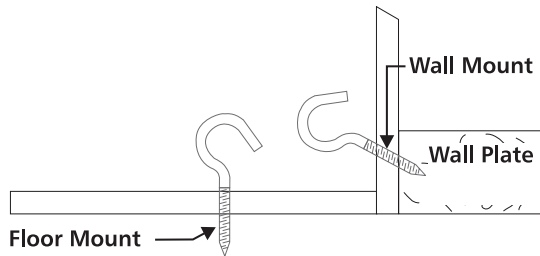
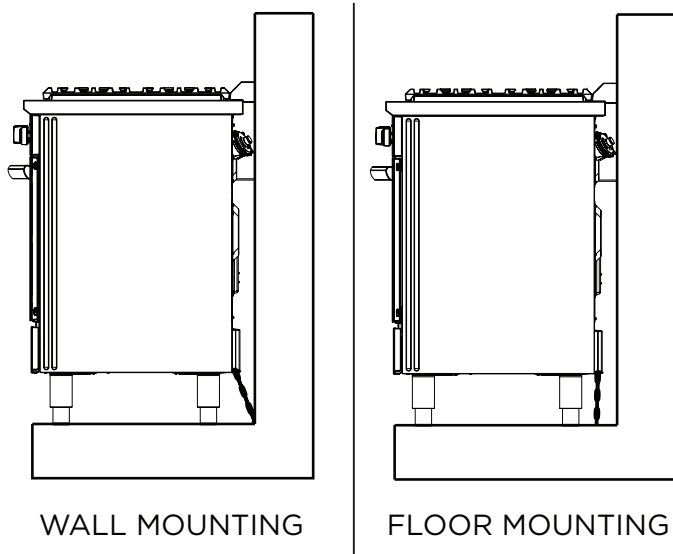
It is not recommended to push and pull the appliance on uneven or rough surface. Use other means to maneuver the appliance if necessary.

1. Locate the hook provided in the literature kit needed for the anti-tip installation.
2. You can choose either the wall base plate or the floor to install the hook. Use the appropriate image from below based on the type of installation you choose to select the location for the hook. Drill the pilot hole of 1/16" (recommended) diameter at 45 degrees for wall mounting and 90 degree for the floor mounting hook installation at the chosen location. Screw the hook in the hole but do not screw it all the way in. Remaining threads can be used to adjust the tension in the chain.



36" GAS RANGE INSTALLATION INSTRUCTIONS

- Carefully push the appliance into the cabinet against the wall. Reach for the chain from the opening between the front legs and attach the chain to the hook. Give a little pull to make sure it is engaged firmly.
- Finish screwing in the hook until there is little to no slack in the chain. The hook should be facing up (wall installation) or facing the back wall (for floor installation) in the final position to ensure the optimal locking of the chain.



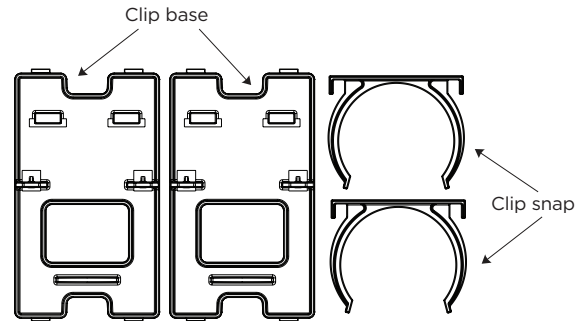
⚠ WARNING

- Use the fasteners supplied with range to install the anti-tip chain.
- Freestanding unit must be pushed up against the wall on installation. On gas units check that the gas hose, if used, has not been kinked during installation.

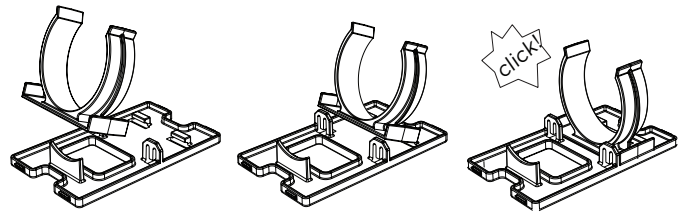
8.2 Installation of the skirting panel

Range is supplied with clip panel & skirting panel that can be assembled to clip onto the front feet for a more integrated and seamless kitchen appearance.

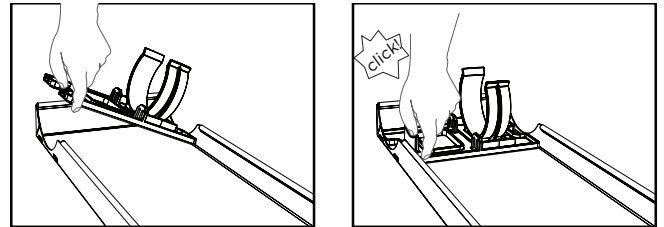
Note: Minimum 36" of cook top install height is required to facilitate the skirting installation. Ref dimension "D" on page 5 for cook top height measurement.



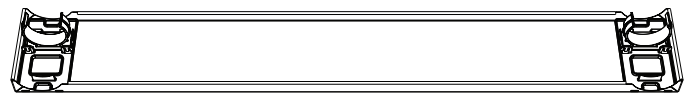
- Assemble the clip snap onto the base.



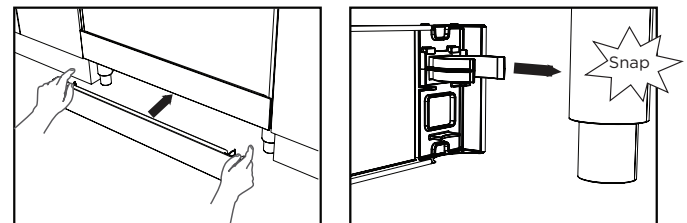
- Press in both assembled clip modules into the kick panel in the orientation as shown below.



- Make sure both clip modules are in the same orientation after installation.



- Clip the kick panel onto the front feet of the appliance. Make sure the kick panel snaps onto the larger section of the front feet.



36" GAS RANGE INSTALLATION INSTRUCTIONS

9 Burner Assembly Installation

CAUTION

To prevent flare-ups use the cooktop with all burner caps properly installed.

Note: Remove all packing material from the cooktop area before installing the burners.

9.1 Dual Burner

Dual burner fits on the front right and front left of the cooktop. It comes with 3 piece assembly and operates with two nozzles in the burner base.

Installing the dual burner

1. Place a burner cup correctly on the burner base. Ensure that the peripheral nozzle is aligned with the hole on the burner cup, and the 3 ribs on the burner cup sits in the grooves provided on the burner base.
2. Burner head must be centered on the burner cup then insert the extended portion on the bottom the burner head into the slots provided in the burner cup. Ensure the mark on the head is pointing towards the ignitor.
3. Place the burner cap on the burner head. Make sure each burner cap is properly aligned and level.

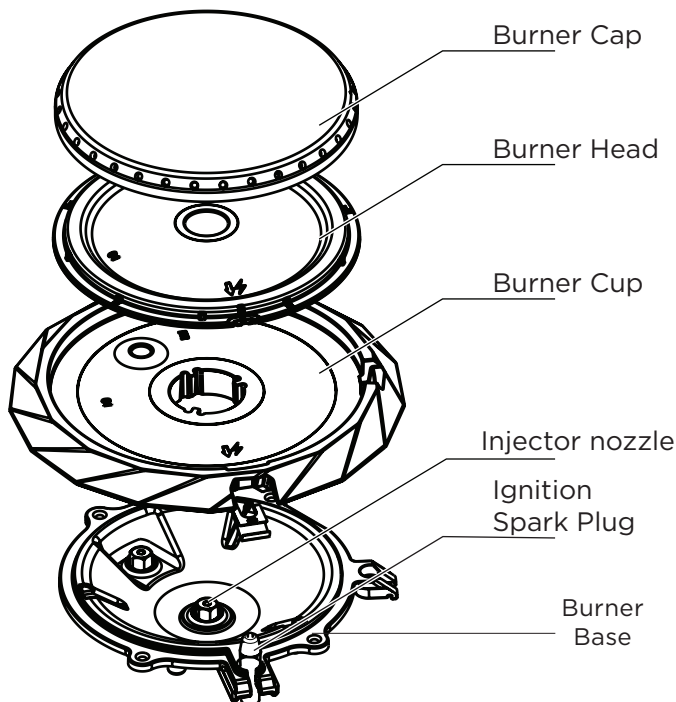


Figure 12: Dual burner Assembly

Once burner cap in place, you may check the fit by gently sliding the burner cap from side to side (Figure 13) to be sure it is centered and firmly seated. When the burner cap lip makes contact inside the center of the burner head you will be able to hear the burner cap click.

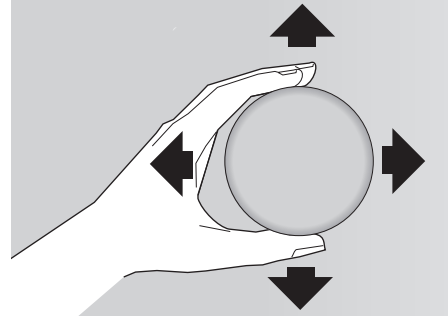


Figure 13: Gently move cap for proper placement

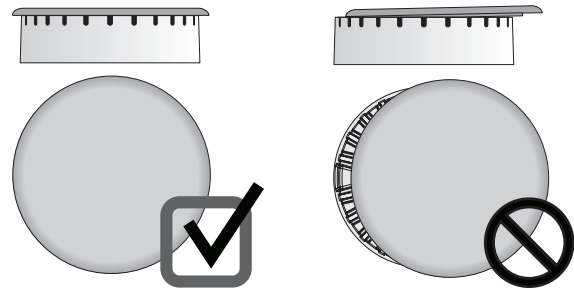


Figure 14: Burner cap placement

Note: Unpack the burner grates and position them on the cooktop after the burner heads and caps are properly installed.

36" GAS RANGE INSTALLATION INSTRUCTIONS

9.2 Single Burner

All other burners on the cooktop are single burners. It comes with 2 piece assembly and operates with single nozzle.

Installing the single burner

1. Align arrow mark on the burner head to the ignitor and place burner head on the burner base such that the ribs on the head should sit in the grooves on the base.
2. Place the burner cap on the burner head. Ensure the cap is centered and fits snugly on the head.

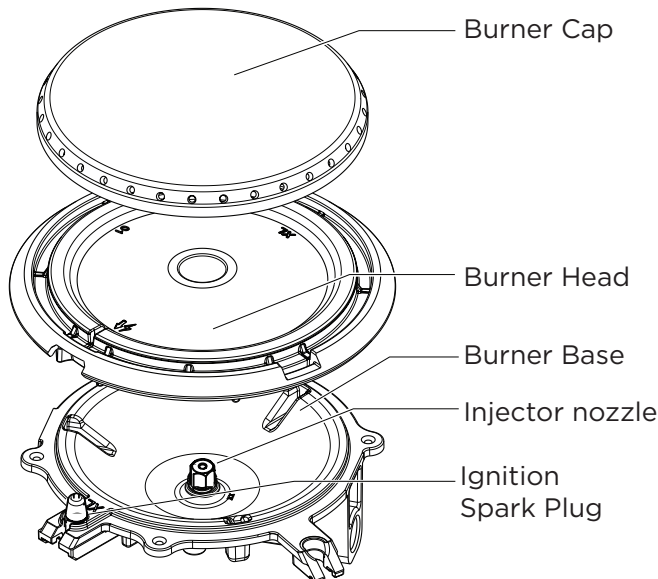


Figure 15: Single burner Assembly

9.3 Check Ignition on Surface Burners

Operation of electric igniters should be checked after range and supply line connectors have been carefully checked for leaks and range has been connected to electric power.

1. Push in and turn a surface burner knob to the "🔥" (lite) position. All electronic surface igniters will spark at the same time. Only the burner you are turning on will ignite.
2. The surface burner should light once the flow of gas reached the surface burner. Each burner should light within four (4) seconds in normal operation after air has been purged from supply lines. Visually check that the burner has lite.
3. Once the burner lights, the control knob should be rotated out of the "🔥" (lite) position.

Turn on each of the surface burners and check to see that they light properly and that the flames are even. Adjust settings if necessary.

9.4 Adjust Low Settings on Surface Burners

To adjust the low setting of surface burners:

1. Push in and turn control to "🔥" (lite) until burner ignites.
2. Quickly turn knob to lowest position.
3. If burner goes out, reset control to OFF.
4. Remove the surface burner control knob and decorative ring.
5. Insert a thin-bladed screwdriver into the hollow valve stem and engage the slotted screw inside. Flame size can be increased or decreased by turning the screw.
6. Adjust flame until you can quickly turn knob from the sparking position to the lowest flame position without extinguishing the flame. Flame should be as small as possible without going out.

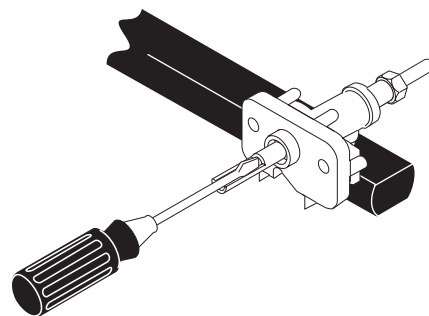


Figure 16: Turn to adjust surface flame

NOTES:

- Air mixture adjustment is not required on surface burners.
- Some models have two flames on each burner. The center flame on these burners is not adjustable.

36" GAS RANGE INSTALLATION INSTRUCTIONS

10 Check Oven Operation

Refer to the Use and Care Guide packaged with the range for operating instructions and for care and cleaning of your range.

Remove all packaging from the oven before testing.

The oven is equipped with an electronic oven control. Each of the functions has been factory checked before shipping. However, it is suggested that you verify the operation of the electronic oven controls once more. Refer to the Use and Care Guide for operation. Follow the instructions for the Clock, Timer, Bake, Broil, Convection, and Clean functions.

Bake - After setting the oven to 350°F (177°C) for baking, the floor of the oven cavity should become warm.

Broil - When the oven is set to BROIL, the upper element in the oven should become red.

Clean - When the oven is set for a self-cleaning cycle, the upper element should become red during the preheat portion of the cycle. After reaching the self-cleaning temperature, the floor of the oven cavity should become hot.

Convection - When the oven is set to CONV. BAKE/ROAST at 350°F (177°C), both elements cycle on and off alternately and the convection fan will turn. The convection fan will stop turning when the oven door is opened during convection baking or roasting.

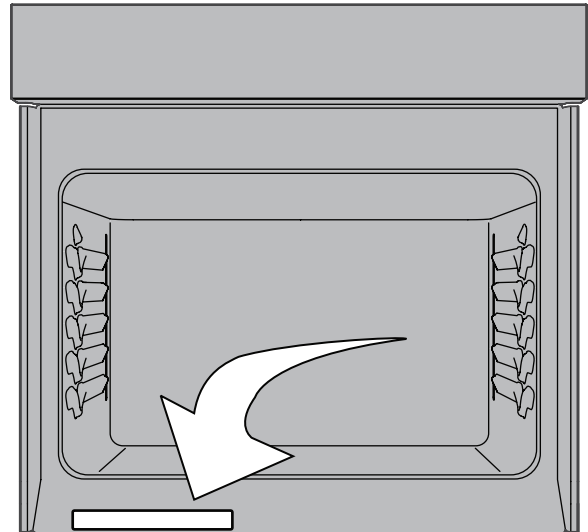
11 After Installation

When All Hookups are Complete

Make sure all controls are left in the **OFF** position.

Model and Serial Number Location

The serial plate is located on the inside of the storage drawer door, and can be clearly viewed when the door is open (Figure 17). When ordering parts for or making inquiries about your range, have the model and serial numbers ready.



Serial Number Location

Figure 17: Model, serial number location

Before You Call for Service

Read the Avoid Service Checklist and operating instructions in your Use and Care Guide. It may save you time and expense. The list includes common occurrences that are not the result of defective workmanship or materials in this appliance.

Refer to the warranty and service information in your Use and Care Guide for our phone number and address. Please call or write if you have inquiries about your range product and/or need to order parts.

INSTRUCCIONES DE INSTALACIÓN DE HORNO DE GAS DE 36"

UN INSTALADOR CALIFICADO DEBE REALIZAR LA INSTALACIÓN Y EL SERVICIO. IMPORTANTE: GUARDAR PARA EL USO DEL INSPECTOR ELÉCTRICO LOCAL. LEA Y GUARDE ESTAS INSTRUCCIONES PARA PODER CONSULTARLAS EN EL FUTURO.



⚠ ¡ADVERTENCIA! PARA SU SEGURIDAD: No almacene ni use gasolina ni otros vapores o líquidos inflamables cerca de este o de ningún otro electrodoméstico.

Índice

Instrucciones de seguridad importantes	22-24
Dimensiones del producto	25
Dimensiones del compartimento	26
Construcción del compartimento	27-28
Requisitos eléctricos	29
Cable de alimentación	30
Requisitos del suministro de combustible	30-34
Conexión del suministro de combustible	34-35

Instalación de la rejilla del horno	35-36
Nivelar el horno	36
Instalación de antivuelco	37-38
Instalación del conjunto del quemador	38-40
Comprobar el funcionamiento del horno	41
Después de la instalación	41

Notas importantes para el instalador

1. Lea todas las instrucciones incluidas en estas instrucciones de instalación antes de instalar el horno.
2. Retire todo el material de empaque del horno y los compartimentos del cajón de almacenamiento antes de conectar el suministro eléctrico al horno.
3. Retire todo el material de empaque del horno y los compartimentos del cajón de almacenamiento antes de conectar el suministro eléctrico al horno.
4. Respete todos los códigos y ordenanzas aplicables.
5. Asegúrese de dejar estas instrucciones al consumidor.

Notas importante para el consumidor

1. Conserve estas instrucciones con su Guía de uso y mantenimiento para futuras consultas.
2. Al utilizar cualquier electrodoméstico que genere calor, hay precauciones de seguridad que debe seguir. Estas precauciones se explican en el manual de uso y cuidado. Lea atentamente el manual.
3. Asegúrese de que un instalador o técnico de servicio calificado haya instalado y conectado el electrodoméstico a tierra.

INSTRUCCIONES DE INSTALACIÓN DE HORNO DE GAS DE 36"

INSTRUCCIONES DE SEGURIDAD IMPORTANTES

Solo un instalador o técnico de servicio calificado deben instalar, conectar a tierra y reparar el electrodoméstico.

Este manual contiene símbolos e instrucciones de seguridad importantes. Preste atención a estos símbolos y siga todas las instrucciones proporcionadas. No intente instalar u operar el electrodoméstico hasta que haya leído las precauciones de seguridad de este manual. Las secciones de seguridad de este manual tienen la etiqueta ADVERTENCIA o PRECAUCIÓN según el tipo de riesgo.

Las advertencias e instrucciones importantes que aparecen en esta guía no pretenden cubrir todas las condiciones y situaciones posibles que puedan ocurrir. Se debe tener sentido común, precaución y cuidado al instalar el electrodoméstico, realizarle un mantenimiento o usarlo.

⚠ Este es el símbolo de alerta de seguridad. Se usa para alertarle sobre posibles riesgos de lesiones personales. Respete todos los mensajes de seguridad que siguen a este símbolo para evitar posibles lesiones o la muerte.

⚠ ¡ADVERTENCIA! Indica una situación posiblemente peligrosa que, si no se evita, podría provocar la muerte o lesiones graves.

⚠ ¡PRECAUTION! Indica una situación posiblemente peligrosa que, si no se evita, podría provocar lesiones leves o moderadas.

IMPORTANTE: Indica información sobre la instalación, la operación, el mantenimiento, o información importante que no está relacionada con peligros.

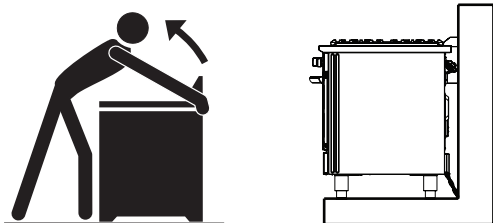
⚠ ¡ADVERTENCIA! Peligro de vuelco



- Un niño o un adulto pueden volcar el horno y morir.
- Verifique que el dispositivo antivuelco se haya instalado en el piso o en la pared.

• Asegúrese de que el dispositivo antivuelco se vuelva a conectar al piso o a la pared cuando se mueva el horno.

- No use el horno sin el dispositivo antivuelco colocado y asegurado.
- No seguir estas instrucciones puede provocar la muerte o quemaduras graves en niños y adultos.



Para comprobar si el dispositivo antivuelco está instalado correctamente, utilice ambos brazos para agarrar el borde trasero del horno hacia atrás. Con cuidado, intente inclinar el horno hacia adelante. Cuando se instala correctamente, el horno no debe inclinarse hacia adelante.

Consulte las instrucciones de instalación de antivuelco que vienen con el horno para instalar correctamente.

⚠ ¡ADVERTENCIA! Si todas las instrucciones de éste manual no son observadas a la letra, se puede ocurrir incendios o explosiones que pueden causar daños materiales, lesiones o la muerte.

PARA SU SEGURIDAD:

—No almacene ni use gasolina ni otros vapores o líquidos inflamables cerca de este o de ningún otro electrodoméstico autre appareil.

—QUÉ HACER SI HUELE A GAS:

- No intente encender ningún electrodoméstico.
- NO toque ningún interruptor eléctrico; NO use ningún teléfono en su edificio.
- Llame de inmediato a su proveedor de gas desde el teléfono de un vecino. Siga las instrucciones del
- Si no puede comunicarse con su proveedor de gas, llame al departamento de bomberos.

—Un instalador calificado, un prestador de servicios o el proveedor de gas deben realizar la instalación y el servicio.

INSTRUCCIONES DE INSTALACIÓN DE HORNO DE GAS DE 36"

⚠ ¡ADVERTENCIA!

- **Peligro de peso excesivo** - utilice dos o más personas para mover e instalar el horno. Si no se siguen estas instrucciones, se pueden producir lesiones en la espalda u de otro tipo.
- **Almacenamiento en o sobre electrodomésticos** - no deben guardarse materiales inflamables en un horno o microondas, cerca de quemadores o elementos de superficie, ni en el cajón de almacenamiento o calentador (si está incluido). Esto incluye artículos de papel, plástico y tela, como libros de cocina, utensilios de plástico y toallas, así como líquidos inflamables. No almacene explosivos, como latas de aerosol, sobre o cerca del electrodoméstico.
- **No deje a los niños solos** - los niños no deben permanecer solos ni sin supervisión en el área donde se usa el electrodoméstico. Nunca se les debe permitir que se sienten o se paren en ninguna parte del electrodoméstico, incluido el cajón de almacenamiento, el cajón inferior del asador, el cajón para mantener los alimentos calientes o el horno doble inferior.
- No guarde artículos de interés para niños en compartimentos que se encuentren arriba del electrodoméstico ni en los protectores traseros de los hornos. Si los niños trepan sobre o cerca del electrodoméstico para alcanzar objetos, podrían sufrir lesiones graves.
- Pisar, inclinarse o sentarse sobre la puerta o los cajones de este electrodoméstico puede tener como consecuencia lesiones graves y también dañar el aparato.
- No utilice el horno o el cajón calentador (si está incluido) para almacenamiento.
- Nunca use el electrodoméstico para calentar o aclimatar una habitación. De lo contrario, puede producirse una intoxicación por monóxido de carbono y el electrodoméstico puede sobrecalentarse.
- No almacene ni use gasolina ni otros vapores o líquidos inflamables cerca de este o de ningún otro electrodoméstico.

⚠ ¡ADVERTENCIA!

- La cortina de aire u otras campanas extractoras elevadas que funcionan soplando un flujo de aire hacia abajo sobre un horno o placa de cocción, no deben usarse junto con hornos gas o placas de cocción que no sean las diseñadas, probadas y mencionadas por un laboratorio de pruebas independiente para su uso en combinación.

INSTRUCCIONES IMPORTANTES PARA DESEMPACAR E INSTALAR

Lea y siga las instrucciones y precauciones a continuación para desempacar, instalar y reparar el electrodoméstico:

- Deseche la caja y las bolsas de plástico después de desempacar el electrodoméstico. Nunca permita que los niños jueguen con el material de empaque. No retire la etiqueta de cableado ni otros documentos adjuntos al electrodoméstico. No retire la placa de número de modelo/serie.
- Las bajas temperaturas pueden dañar el control electrónico. Cuando utilice este electrodoméstico por primera vez, o si no se ha utilizado por un período prolongado, asegúrese de que haya estado a temperaturas superiores a 32°F (0°C) durante al menos 3 horas antes de encenderlo.
- No haga nada que modifique o altere la construcción del electrodoméstico, como quitar las patas niveladoras, los paneles, las cubiertas de los cables, el dispositivo antivuelco ni ninguna otra pieza.
- Instalación adecuada: asegúrese de que un técnico calificado haya instalado y conectado el electrodoméstico a tierra correctamente. En Estados Unidos, instalar de acuerdo con el Código Nacional de Gas Combustible, ANSI Z223.1/NPFA N.º 54, última edición; el Código Eléctrico Nacional, NFPA N.º 70, última edición; y los requisitos del código eléctrico local. En Canadá, instale de acuerdo con CAN/CGA B149.1 y CAN/CGA B149.2 y la norma CSA C22.1; el Código Eléctrico Canadiense, últimas ediciones de la Parte 1; y los requisitos del código eléctrico local. Instalar solo según las instrucciones de instalación que vienen en el paquete de documentación de este electrodoméstico.

INSTRUCCIONES DE INSTALACIÓN DE HORNO DE GAS DE 36"

- La instalación de electrodomésticos diseñados para la instalación de viviendas prefabricadas (móviles) debe cumplir con la norma actual de construcción y seguridad de viviendas prefabricadas, Título 24 CFR, Parte 3280 (anteriormente la norma federal para la construcción y seguridad de viviendas móviles, Título 24, Parte 280 del HUD) o cuando dicha norma no sea aplicable, la norma para la instalación de viviendas fabricadas de 1982 (centros de viviendas prefabricadas, comunidades y configuraciones), ANSI Z225.1/NFPA 501A-última edición, o con códigos locales en Estados Unidos y con CAN/CSA-Z240 MH en Canadá.
- Antes de instalar el horno en un área cubierta con linóleo o cualquier otra cubierta sintética para pisos, asegúrese de que la cubierta para pisos puede soportar el calor al menos 32.2 °C (90 °F) por encima de la temperatura ambiente sin encogerse, deformarse ni decolorarse. No instale el horno sobre alfombras a menos que coloque una almohadilla aislante o una lámina de madera contrachapada de 0.64 cm (¼ in) de grosor entre el horno y la alfombra.
- Asegúrese de que los revestimientos de pared y los materiales del compartimento del horno puedan soportar el calor generado por el electrodoméstico.
- Para eliminar el riesgo de quemaduras o incendios al alcanzar las unidades de superficie calentadas, se debe evitar el espacio de almacenamiento del compartimento por encima de la unidad de la superficie. Si se va a proporcionar almacenamiento para el compartimento, el riesgo se puede reducir instalando una campana extractora que sobresalga horizontalmente un mínimo de 5 pulgadas más allá de la parte inferior del compartimento.
- No obstruya el flujo de aire en la ventilación del horno, alrededor de la base o debajo del panel frontal inferior del electrodoméstico. Este electrodoméstico requiere aire fresco para funcionar correctamente.
- Asegúrese de tener un extintor de incendios de espuma adecuado, que esté a la vista y sea de fácil acceso, cerca del electrodoméstico.

INSTRUCCIONES ESPECIALES PARA ELECTRODOMÉSTICOS INSTALADOS EN EL ESTADO DE MASSACHUSETTS

Este electrodoméstico solo puede ser instalado en el estado de Massachusetts por un fontanero o instalador de gas. Cuando utilice un conector de gas flexible, no debe superar los 3 pies (36 pulgadas) de longitud. Se debe instalar

una válvula de gas manual en forma de "T" en la línea de suministro de gas a este electrodoméstico.

CONVERSIÓN A GAS L.P.

Este electrodoméstico permite la conversión a gas de petróleo licuado (Liquefied Petroleum, L.P.).

⚠ ¡ADVERTENCIA! Si un instalador o electricista calificado no realiza la conversión a gas L.P., pueden producirse lesiones personales o la muerte por descarga eléctrica. Cualquier adición, cambio o conversión que se requiera para que este electrodoméstico cumpla satisfactoriamente con las necesidades de la aplicación, se debe realizar con un este electrodoméstico.

Si necesita la conversión a gas L.P., comuníquese con su proveedor local de gas licuado para obtener ayuda. El kit de conversión L.P. se suministra con este electrodoméstico y se encuentra en el panel inferior TRASERO (parte posterior) del horno. Antes de instalar el kit, asegúrese de leer las instrucciones de instalación de L.P. y sígalas cuidadosamente al realizar la instalación.

INSTRUCCIONES IMPORTANTES PARA EL SERVICIO Y MANTENIMIENTO

- No repare ni reemplace ninguna pieza del electrodoméstico a menos que se recomiende específicamente en los manuales. Únicamente un técnico calificado debe realizar las demás tareas de mantenimiento. Esto reduce el riesgo de lesiones personales y daños en el electrodoméstico.
- Comuníquese siempre con su vendedor, distribuidor, agente de servicio o fabricante para informar problemas o condiciones que no comprenda.
- Pida a su vendedor que le recomiende un técnico calificado y un servicio de reparación autorizado.
- Sepa cómo desconectar la energía del electrodoméstico en el disyuntor o la caja de fusibles en caso de emergencia.
- Retire la puerta del horno si el mismo se va a almacenar o desechar.
- No toque la bombilla del horno con un paño húmedo si está caliente. De lo contrario, la bombilla podría romperse. Manipule las luces halógenas (si están incluidas) con toallas de papel o guantes suaves. Desconecte el electrodoméstico o corte la alimentación antes de retirar y reemplazar la bombilla.

INSTRUCCIONES DE INSTALACIÓN DE HORNO DE GAS DE 36"

Dimensiones del producto

⚠ ¡ADVERTENCIA! No instale la unidad en el compartimento antes de leer las dos páginas siguientes.

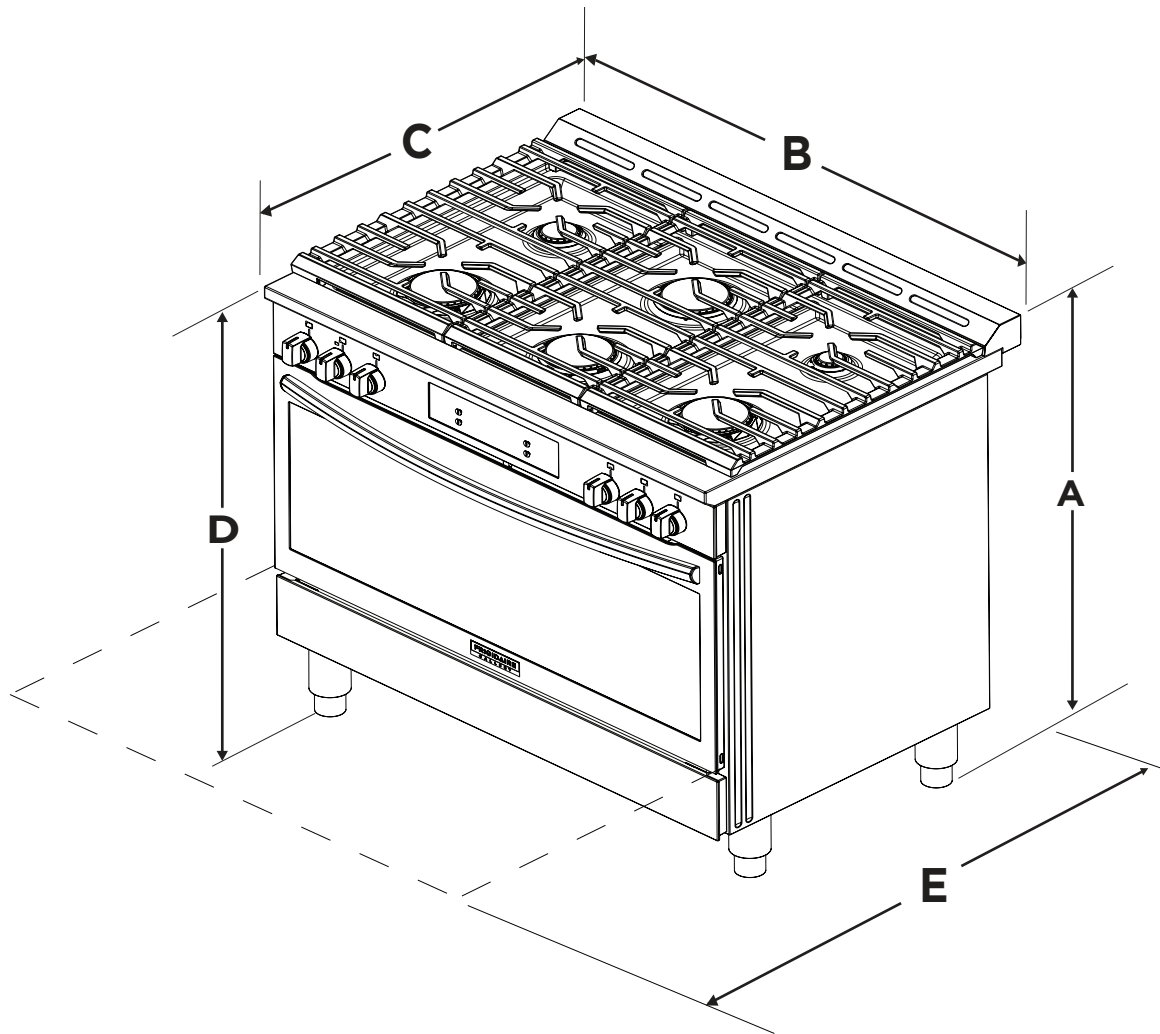


Figura 1: Dimensiones del producto

MODELO	A. ALTURA	B. ANCHO	C. PROFUNDIDAD HASTA FRENTE DE RANGO	D. ALTURA DE ESTUFA	E. PROFUNDIDAD CON PUERTA ABIERTO
36"	37 7/8" (96.2 cm) Min.	35 7/8" (91.1 cm)	25 7/8" (65.7 cm)	35 3/4" (90.8 cm) Min.	43 3/8" (110.1 cm)
	38 5/8" (98.1 cm) Max.			36 1/2" (92.7 cm) Max.	

INSTRUCCIONES DE INSTALACIÓN DE HORNO DE GAS DE 36"

Dimensiones del compartimento

Espacios libres y dimensiones

- Deje un espacio adecuado entre el electrodoméstico y las superficies combustibles adyacentes.
- Ubicación - compruebe la ubicación en la que se instalará el electrodoméstico. Compruebe que el suministro eléctrico y la estabilidad del suelo sean correctos.
- Se deben utilizar las dimensiones mostradas. Las dimensiones dadas brindan un espacio libre mínimo. La superficie de contacto debe ser sólida y nivelada.

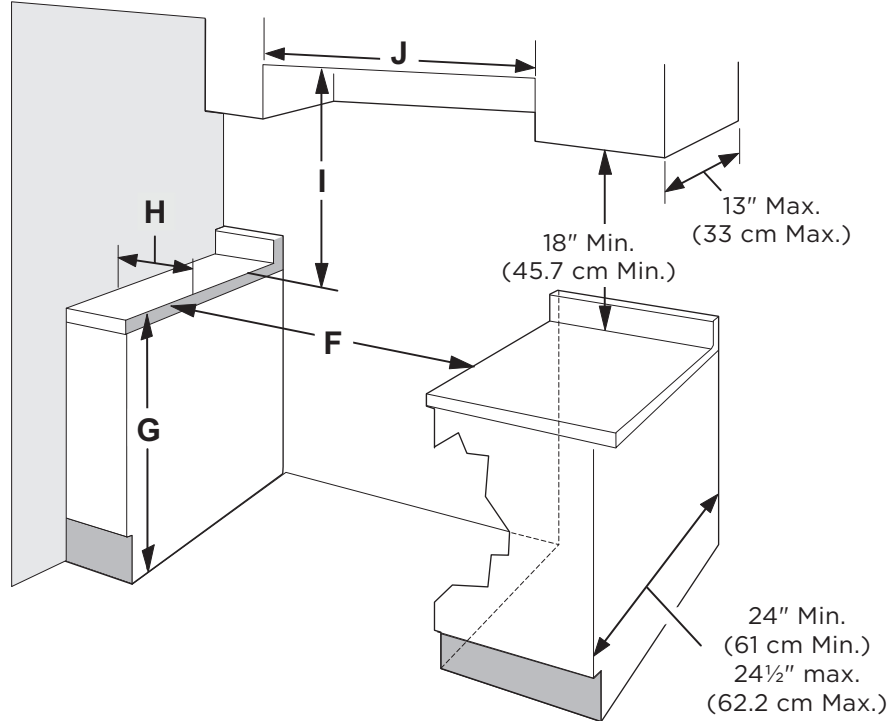


Figura 2: Dimensiones del compartimento

MODELO	F. ANCHO DE CORTE MÍNIMO	G. ALTURA DE ENCIMERA	H. AUTORIZACIÓN DE UN LADO PAREDES ²	I. LIQUIDACIÓN DESDE LA ESTUFA Y GABINETE ABAJO ³	J. AUTORIZACIÓN ANCHO DEGASTOS GENERALES GABINETES
36"	36" (91.4 cm)	36" (91.4 cm) c Estándar 35 3/4" (90.8 cm) Min.	5" (12.7 cm) Min.	36" (91.4 cm) Min.	36" (91.4 cm) Min.

NOTAS:

1. No selle el horno por los compartimentos laterales.
2. Separe de las paredes adyacentes u otras superficies verticales o estructuras como compartimentos.
3. Las medidas indicadas son los espacios libres mínimos entre la placa de cocción y la parte inferior del compartimento.
4. Espacio libre de 0 in entre el horno y los compartimentos o superficies verticales que están por debajo de la altura de la placa de cocción.
5. Espacio libre de 0 in entre la parte trasera del horno y la pared trasera o compartimento.

*Espacio mínimo de 914 mm (36") entre la parte superior de la superficie de cocción y la parte inferior de un compartimento de madera o metal sin protección; o mínimo de 762 mm (30") cuando la parte inferior del compartimento de madera o metal está protegida por un cartón retardante de llama de no menos de 6 mm (1/4") recubierto con chapa de acero MSG no inferior a No. 28, acero inoxidable de 0.4 mm (0.015 in), aluminio de 0.6 mm (0.024") o cobre de 0.5 mm (0.020"). El espacio libre de 0 mm (0") es el mínimo para la parte trasera del horno.

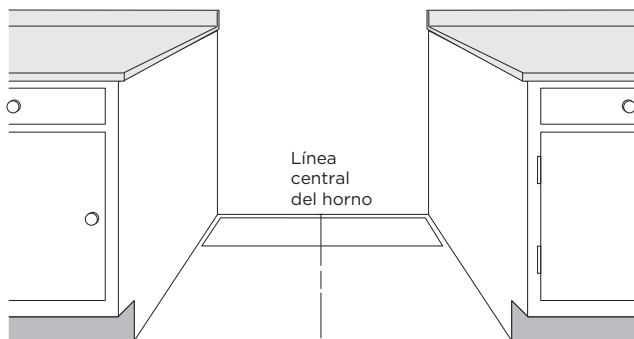
Siga todos los requisitos de dimensiones proporcionados anteriormente para evitar daños a la propiedad, posibles riesgos de incendio y cortes incorrectos en la encimera y el compartimento.

INSTRUCCIONES DE INSTALACIÓN DE HORNO DE GAS DE 36"

1 Construcción del compartimento

⚠ ¡PRECAUTION!

Para eliminar el riesgo de quemaduras o incendios al alcanzar las unidades de superficie calentadas, evite tener espacio de almacenamiento en el compartimento por encima del horno. Si hay espacio de almacenamiento en el compartimento por encima del horno, reduzca el riesgo instalando una campana extractora que sobresalga horizontalmente un mínimo de 5" (12.7 cm) más allá de la parte inferior del compartimento.



Siga las instrucciones para el tipo de instalación que tenga

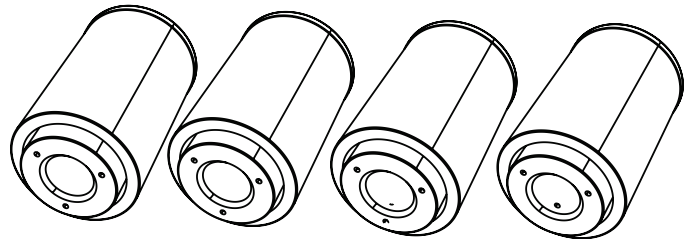
Figura 3: Construcción del compartimento

1.1 Instalación: compartimento a ambos lados

1. Si el horno se instalará con un compartimento a ambos lados, dibuje una línea central en el suelo entre los compartimentos (Figura 3).
2. Si la parte posterior del horno no está a ras de la pared (la ubicación del tomacorriente puede impedir que el horno se coloque contra la pared), dibuje una línea en el suelo donde estará el borde posterior del horno.
3. Instale el dispositivo antivuelco (consulte "Instalación de antivuelco").

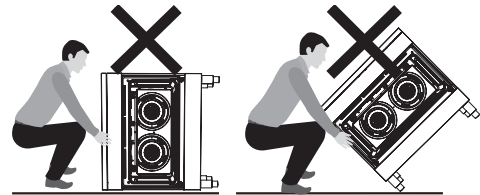
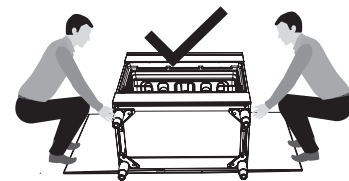
1.2 Instalación de patas atornilladas

El electrodoméstico independiente viene con cuatro patas atornilladas en el paquete de accesorios interno. Las patas atornilladas se pueden ajustar girando la mitad inferior en sentido horario o antihorario.



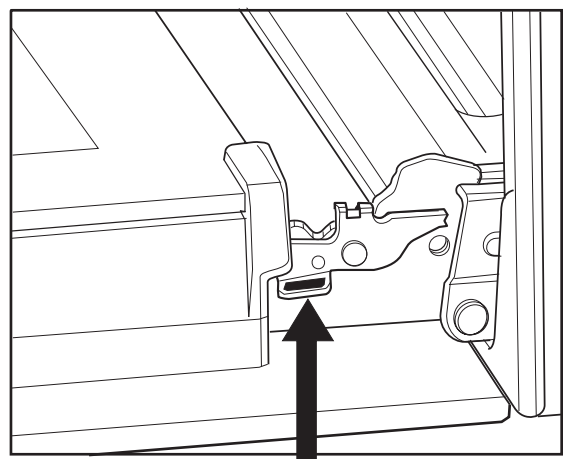
⚠ ¡ADVERTENCIA!

¡Artículo pesado! Este paso se debe realizar entre dos personas.



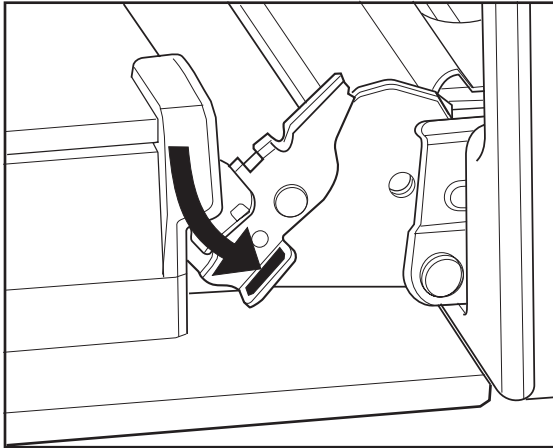
Nota: DEBE retirar la puerta del horno antes de comenzar la instalación.

1. Abra completamente la puerta del horno, en posición horizontal al piso.
2. Lengüeta de bloqueo hacia arriba en posición normal.

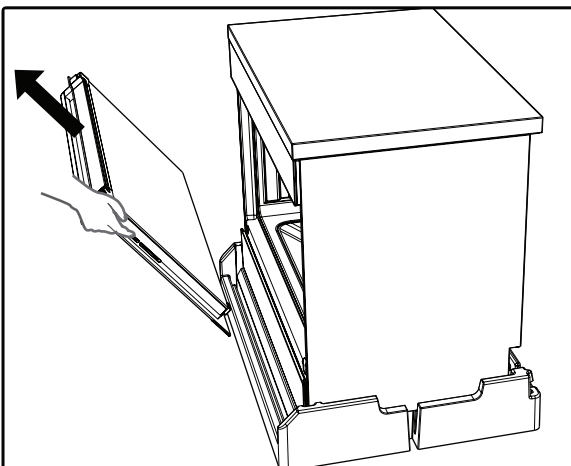


INSTRUCCIONES DE INSTALACIÓN DE HORNO DE GAS DE 36"

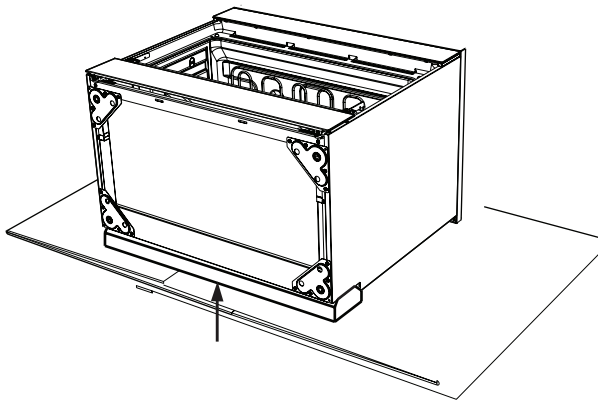
3. Presione la lengüeta de bloqueo hacia abajo para retirar la puerta.



4. Cierre suavemente la puerta hasta que se detenga. A continuación, levante la puerta de la bisagra.



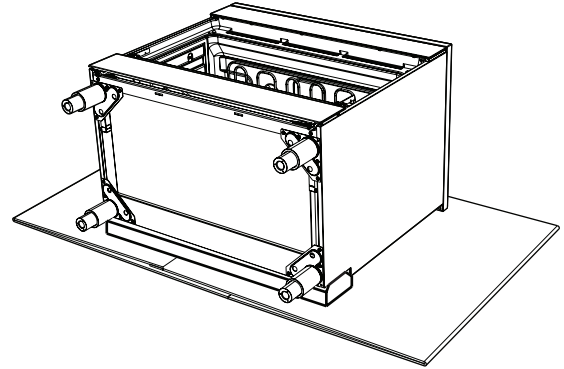
5. Incline y coloque el electrodoméstico con cuidado sobre su parte posterior para acceder al punto de instalación de las patas atornilladas.



⚠ ¡PRECAUTION!

Para evitar rayar el suelo y el propio electrodoméstico, doble el cartón del empaque y colóquelo debajo del electrodoméstico como protección.

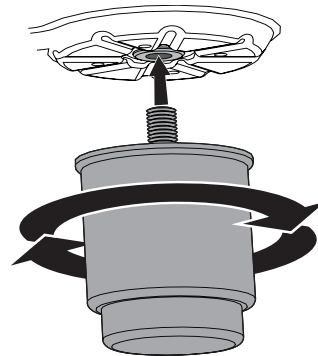
6. Instale las cuatro patas suministradas a través de los cuatro puntos de instalación. Asegúrese de que cada pata esté bien sujeta.



⚠ ¡PRECAUTION!

No apriete la pata en exceso.

7. Ajuste la altura de las patas atornilladas para asegurarse de que la superficie de la placa esté por encima del banco cuando el electrodoméstico esté en posición vertical.



INSTRUCCIONES DE INSTALACIÓN DE HORNO DE GAS DE 36"

2 Requisitos Eléctricos

⚠ ¡ADVERTENCIA!

Peligro de descarga eléctrica - se requiere conexión a tierra eléctrica en este electrodoméstico. Las conexiones y la conexión a tierra incorrectas pueden provocar descargas eléctricas, daños al electrodoméstico, lesiones personales, incendios o la muerte.

2.1 Requisitos de conexión a tierra

Un técnico calificado debe instalar y conectar a tierra este electrodoméstico.

En Estados Unidos, instalar de acuerdo con el Código Nacional de Gas Combustible, ANSI Z223.1/NPFA No 54, última edición; el Código Eléctrico Nacional, NFPA No. 70, última edición; y los requisitos del código eléctrico local. En Canadá, instalar de acuerdo con CAN/CGA B149.1 y CAN/CGA B149.2; la norma CSA C22.1; el Código Eléctrico Canadiense, última edición de la Parte 1; y los requisitos del código eléctrico local.

Este electrodoméstico requiere un circuito derivado polarizado, conectado a tierra adecuadamente, y debe estar protegido mediante un disyuntor GFI (interruptor de falla a tierra) o un fusible de retardo de 15 A. Consulte la placa de serie para ver el voltaje adecuado.

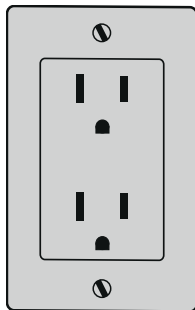


Figura 4: Tomacorriente con conexión a tierra de 3 clavijas

A los fines de su seguridad personal, este electrodoméstico debe estar correctamente conectado a tierra. Para una máxima seguridad, el cable de alimentación debe enchufarse en un tomacorriente de voltaje correcto, que esté polarizado y conectado a tierra correctamente de acuerdo con los códigos locales. Es responsabilidad personal del consumidor contar con el tomacorriente adecuado, con el receptáculo de pared correcto y debidamente conectado a tierra instalado por un electricista calificado.

Asegúrese de que el receptáculo de pared esté al alcance de la ubicación de instalación final del electrodoméstico.

No pellizque el cable de alimentación entre el horno y la pared.

Ubicaciones recomendadas para la instalación de tomacorrientes de pared

La ubicación sugerida del tomacorriente de pared se muestra en la Figura 5. El tomacorriente también puede ubicarse en la esquina inferior izquierda del compartimento derecho adyacente, como se muestra en la Figura 6..

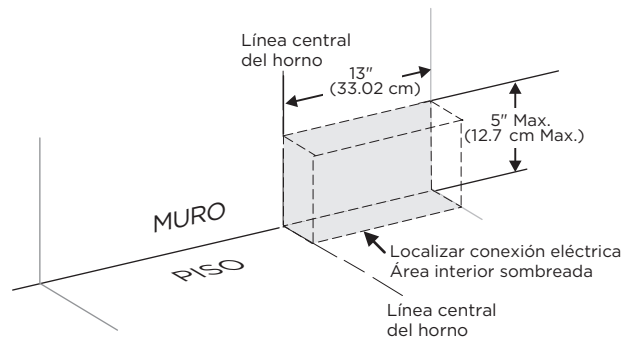


Figura 5: Ubicación del tomacorriente

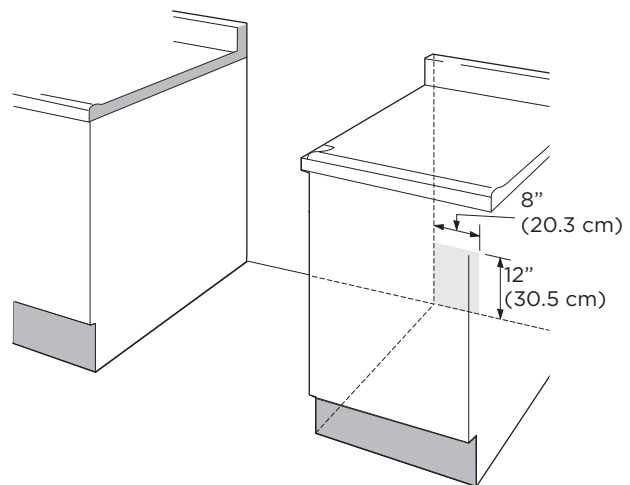


Figura 6: Ubicación de tomacorriente del compartimento adyacente

INSTRUCCIONES DE INSTALACIÓN DE HORNO DE GAS DE 36"

3 Cable De Alimentación

⚠ ¡ADVERTENCIA!

Peligro de descarga eléctrica –no intente instalar el electrodoméstico directamente en una caja de conexiones. Si el tomacorriente no es suficiente para cumplir los requisitos de este electrodoméstico, es responsabilidad del consumidor tener instalado el tomacorriente adecuado mediante un electricista. Las conexiones eléctricas y la instalación incorrectas pueden provocar descargas eléctricas, daños al electrodoméstico, lesiones personales, incendios o la muerte.

Este electrodoméstico está equipado con un enchufe de tres clavijas de conexión a tierra para su protección contra el peligro de descarga eléctrica y debe enchufarse directamente en un receptáculo correctamente conectado a tierra. No corte ni retire la clavija de conexión a tierra de este enchufe.

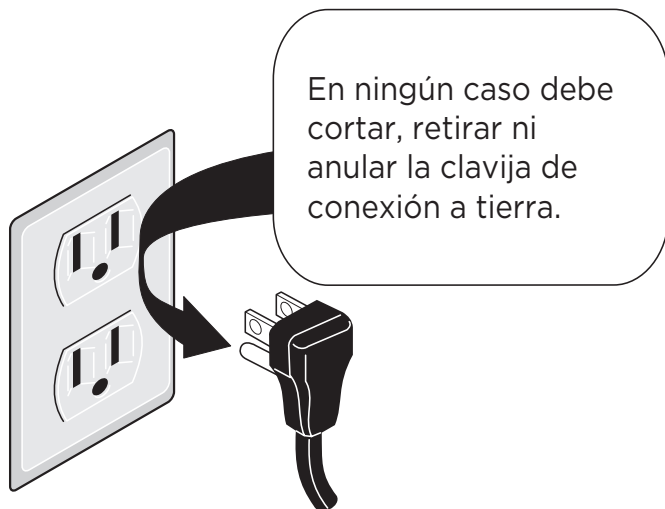


Figura 7: Cable de alimentación conectado de fábrica

Pour des raisons de sécurité personnelle, l'appareil doit être correctement mis à la terre. Pour une sécurité maximale, le cordon d'alimentation doit être branché dans une prise électrique correctement polarisée et correctement mise à la terre.

Si une prise murale à deux broches est la seule prise disponible, il incombe au consommateur de la remplacer par une prise murale à 3 broches correctement mise à la terre, installée par un technicien qualifié.

4 Requisitos del suministro de combustible

Esta unidad está diseñada para funcionar con una presión del colector de gas natural de 4" (10.16 cm) de columna de agua (1.0 kPa).

Con la unidad se suministra un regulador de presión convertible. Debe conectarse en serie con la línea de suministro de gas siguiendo las instrucciones de la sección 4.1 La ubicación prevista para el regulador se muestra en la Figura 8.

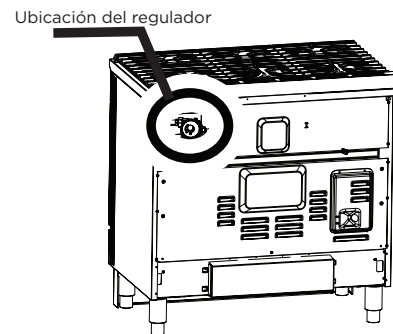


Figura 8: Ubicación del regulador

Para un funcionamiento correcto, la presión máxima de entrada al regulador no debe ser superior a 14" (35.56 cm) de presión de columna de agua (3.5 kPa).

La presión de entrada al regulador debe ser al menos 1" (0.25 kPa) mayor que el ajuste de presión del colector del regulador. El regulador está configurado para una presión del colector de gas natural de 4" (10.16 cm) de columna de agua (1.0 kPa); la presión de entrada debe ser de al menos 5 in (12.60 cm) de columna de agua (1.25 kPa) para gas natural.

Para el funcionamiento a 2000 ft sobre el nivel del mar, la capacidad nominal del electrodoméstico se reduce en un 4 por ciento por cada 1000 ft adicionales.

4.1 Instalación del regulador

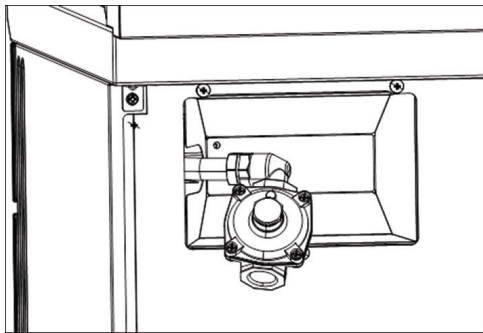
Hay 2 tipos diferentes de instalación para los reguladores. Compruebe el kit de montaje del regulador suministrado con la unidad para identificar cuál de las siguientes instalaciones se aplica a su horno.

INSTRUCCIONES DE INSTALACIÓN DE HORNO DE GAS DE 36"

Instalación con codo de latón

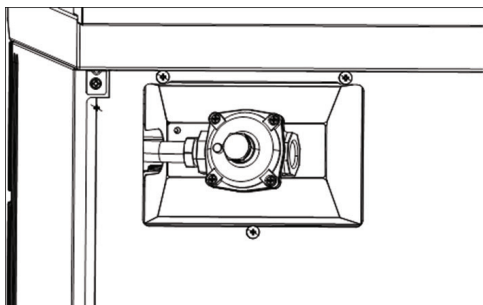
Si tiene un codo de latón incluido en el kit, esta instalación se aplica a su horno.

1. Aplique el sellador de juntas de tuberías (no incluido) en el extremo roscado de la entrada del riel de gas y luego fije el codo de latón en el riel de gas girando la tuerca hexagonal con la llave ajustable.
2. Aplique el sellador de juntas de tuberías (no suministrado) en el otro extremo del codo de latón. Adjunte el regulador girando la tuerca hexagonal con una llave. Utilice la tuerca hexagonal del codo de latón para sujetar el riel de gas al apretar la tuerca hexagonal del regulador.
3. Asegúrese de que las conexiones sean a prueba de fugas. No apriete en exceso.



Instalación sin codo de latón

1. Si no tiene el codo de latón incluido en el kit, esta instalación se aplica a su horno.
2. Aplique el sellador de juntas de tuberías (no suministrado) en el extremo roscado de la entrada del riel de gas y luego conecte el regulador y apriete la tuerca hexagonal con una llave ajustable. La tuerca hexagonal de la entrada del riel de gas está soldada y no girará. Utilícela para sujetar el riel con una llave mientras aprieta la tuerca hexagonal en el regulador.
3. Asegúrese de que las conexiones sean a prueba de fugas. No apriete en exceso.



4.2 Ubicación del suministro de gas

La tubería de suministro de gas puede pasar a través de la pared lateral del compartimento derecho. El compartimento del lado derecho es una ubicación ideal para la válvula de cierre principal, si el horno se instala dentro del espacio de almacenamiento del compartimento.

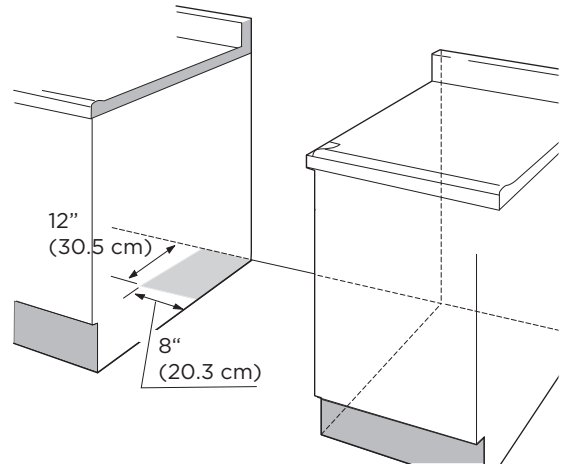


Figura 9: Ubicación recomendada para el suministro de gas

4.3 Válvula de cierre

La línea de suministro debe estar equipada con una válvula de cierre aprobada como se muestra en la Figura 10. Esta válvula debe estar ubicada en la misma habitación que el horno y debe estar en un lugar que permita abrirla y cerrarla fácilmente. No bloquee el acceso a la válvula de cierre. La válvula sirve para abrir o cerrar el gas del electrodoméstico.

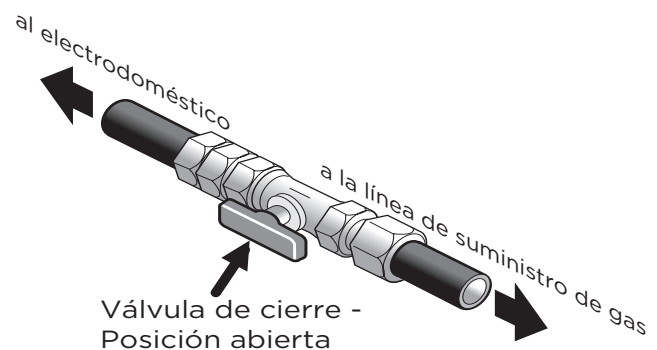


Figura 10: Válvula de cierre

El suministro de gas entre la válvula de cierre y el regulador puede conectarse mediante tuberías rígidas o mediante tuberías metálicas flexibles unidas aprobadas por A.G.A./C.G.A., donde los códigos locales permiten su uso.

El usuario debe conocer la ubicación de la válvula de cierre principal y tener fácil acceso a ella.

INSTRUCCIONES DE INSTALACIÓN DE HORNO DE GAS DE 36"

4.4 Conversión a gas propano (GLP)

Proporcione siempre un suministro de gas adecuado.

⚠ ¡ADVERTENCIA!

- Antes de continuar con la conversión de gas, se debe cerrar el suministro de gas antes de desconectar el suministro eléctrico.
- Se debe realizar una prueba de fugas de gas después de realizar la conversión de gas.

Este electrodoméstico se envía de fábrica para su uso con gas natural. Utilice este kit para convertir el electrodoméstico para su uso con gas propano, si es necesario. Cumpla con lo siguiente:

- Asegúrese de realizar la conversión del horno para usar con el gas adecuado antes de utilizarlo.
- Este electrodoméstico está diseñado para funcionar a una presión de 10" de columna de agua cuando se utiliza con gas propano.

Al comprobar si el regulador funciona correctamente, la presión de entrada debe ser al menos 1" mayor que la presión de funcionamiento (colector) superior. Al realizar la conversión para utilizar gas propano, la presión suministrada al regulador debe estar entre 11" y 13" de columna de agua.

El regulador de presión ubicado en la entrada del colector del horno debe permanecer en la línea de suministro.

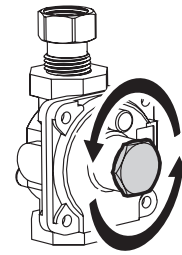
Utilice un conector metálico flexible para electrodomésticos o una tubería rígida para conectar el horno al suministro de gas. El conector debe tener un diámetro interior de 1/2" y una longitud de 5 ft (1.5 m) o menos.

Utilice un conector metálico flexible para electrodomésticos o una tubería rígida para conectar el horno al suministro de gas. El conector debe tener un diámetro interior de 1/2" y una longitud de 5 ft (1.5 m) o menos.

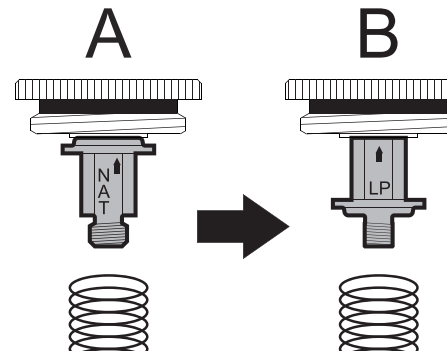
Guarde las boquillas retiradas del electrodoméstico para su uso futuro.

Ajuste del regulador de presión para el gas propano

1. Desenrosque la tapa del regulador.



2. Desenrosque el vástago del regulador de plástico de la tapa del regulador. La configuración "A" es para gas natural.
3. Invierta el vástago del regulador de plástico para colocar la configuración "B" para el gas propano y enrósquelo firmemente.



4. Enrosque el vástago del regulador y la tapa en su lugar.

NOTA: Al realizar la conversión para el uso de gas propano, la presión suministrada al regulador debe estar entre 11 in y 13 in de columna de agua.

INSTRUCCIONES DE INSTALACIÓN DE HORNO DE GAS DE 36"

Sustitución de las boquillas del quemador de la placa de cocción

1. Retire las rejillas de la placa de cocción.
2. Retire la tapa del quemador, el cabezal del quemador y la copa del quemador (para el quemador doble) de la base del quemador. Consulte la Figura 12.
3. Con la llave del tamaño adecuado, retire la boquilla
4. Instale las boquillas de gas LP suministradas en el kit. No apriete en exceso. Consulte la tabla siguiente para ver los números de pieza de las boquillas.

NOTA: Los quemadores dobles (quemador 4) utilizan dos boquillas, una en el centro y otra en la periferia.

NOTA: Guarde las boquillas retiradas del electrodoméstico para su uso futuro.

Colocación de quemadores y boquillas

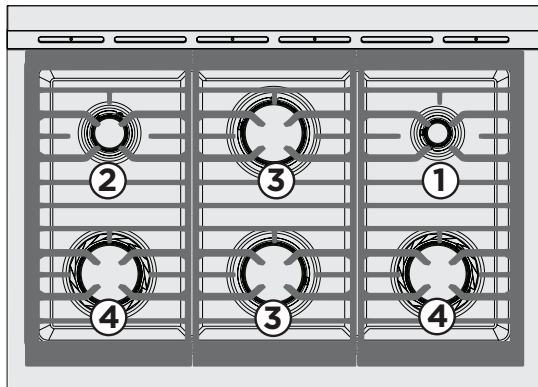


Tabla de boquillas de gas LP (presión en W.C.P.: 10")

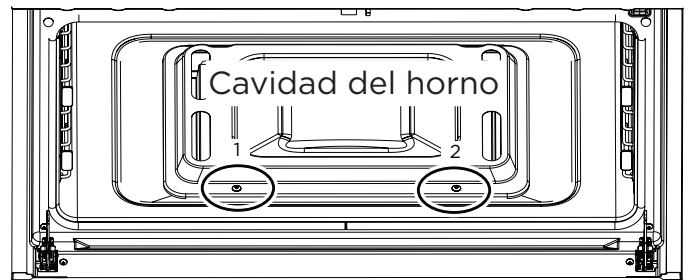
Número de quemador	1	2	3	4
Número de boquilla central	66	81	118	109
Número de boquilla periférica	-	-	-	40

Tabla de boquillas de gas narutal (presión en W.C.P.: 4")

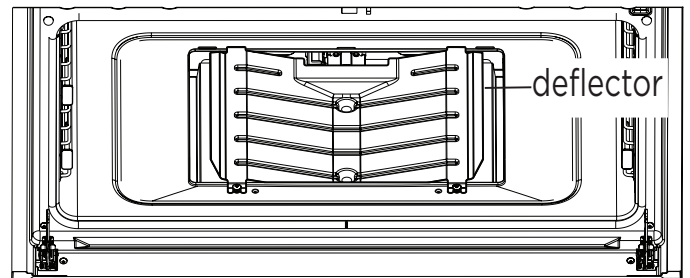
Número de quemador	1	2	3	4
Número de boquilla central	107	146	195	198
Número de boquilla periférica	-	-	-	55

4.5 Cambio del inyector del quemador de horneado

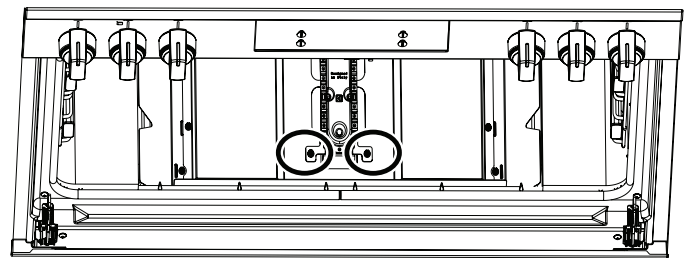
1. Retire completamente la puerta siguiendo las instrucciones de la sección 1.2. Esto le ayudará a llegar fácilmente al inyector.
2. Retire todas las parrillas para horno. No retire los rieles deslizantes ni las parrillas laterales.
3. Retire los 2 tornillos que se muestran a continuación con un destornillador Philips y, a continuación, desprenda las 3 lengüetas situadas en la parte posterior de la cubierta del quemador para extraerla por completo.



4. Desenganche las 2 lengüetas ubicadas en la parte posterior del deflector para retirarlo por completo.

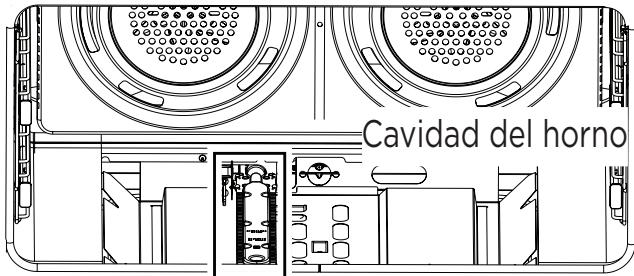


5. Retire los 2 tornillos que sujetan el quemador a la parte inferior de la cavidad con un destornillador Philips.

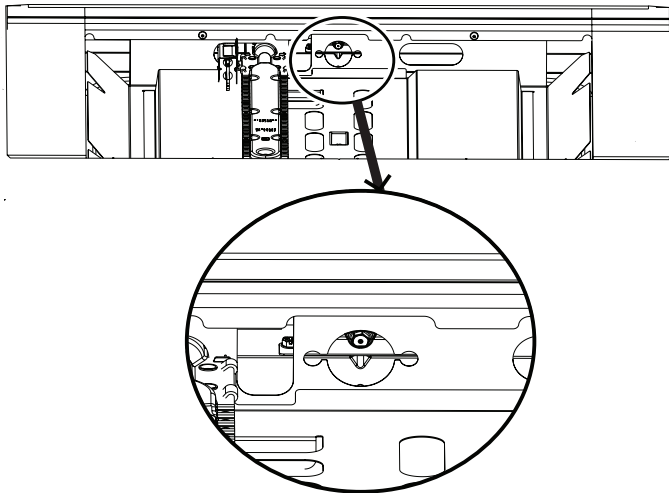


INSTRUCCIONES DE INSTALACIÓN DE HORNO DE GAS DE 36"

6. Tire con cuidado del quemador hacia fuera para que se desenganche del inyector y deslícelo hacia un lado. Asegúrese de no dañar el encendedor, que es muy frágil.



7. Utilice la llave de tubo de 7 mm para desenroscar el inyector y sustituirlo por el inyector marcado con "107" del kit LP. Guarde el inyector retirado para usarlo en el futuro.



8. Vuelva a insertar el quemador en su posición original empujándolo hacia dentro. Asegúrese de que los orificios para tornillos del soporte del quemador estén alineados con los orificios de la parte inferior de la cavidad. Esto garantizará que el quemador y el inyector estén montados correctamente. Fije el quemador a la parte inferior de la cavidad con los tornillos Philips.
9. Vuelva a montar el deflector y la tapa del quemador con el tornillo Philips.
10. Vuelva a colocar las parrillas para horno y vuelva a montar la puerta del horno.

5 Conectar el suministro de combustible

5.1 Conexión del suministro de combustible

⚠ ¡ADVERTENCIA!

Solo un instalador o técnico de servicio calificado deben instalar, conectar a tierra y reparar el electrodoméstico.

⚠ ¡PRECAUTION!

No apriete demasiado las conexiones. El regulador está fundido a presión. Un apriete excesivo puede agrietar el regulador y provocar una fuga de gas y un posible incendio o explosión.

Este electrodoméstico incluye un regulador. La línea de suministro de gas requiere las siguientes piezas que no se suministran con el electrodoméstico:

- Válvula de cierre manual
- Boquillas roscadas de 1/2" (3)
- Adaptador abocardado de unión de 1/2" (3)
- Conector flexible

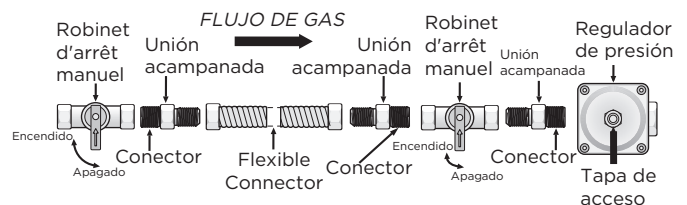


Figura 11: Flujo de conexión del suministro de combustible

La línea de suministro de gas a la válvula de cierre debe ser una tubería sólida de 1/2" (1.27 cm) o 3/4" (1.9 cm).

La boquilla roscada que se conecta al regulador de presión debe ser 1/2" 14 NPT.

Instale la tubería de suministro de gas en el regulador de presión en el orden que se muestra en la Figura 11. Todas las conexiones deben apretarse con una llave.

Cuando utilice un conducto de gas flexible en el horno, deje suficiente holgura para sacar el horno fuera de la abertura para la limpieza o el mantenimiento.

INSTRUCCIONES DE INSTALACIÓN DE HORNO DE GAS DE 36"

Utilice un sellador de juntas de tuberías fabricado para usar con gas natural y LP/propano para sellar todas las conexiones de gas. Si se utilizan conectores flexibles, asegúrese de que los conectores no estén retorcidos.

No permita que el conducto flexible quede atrapado entre la pared y el horno.

5.2 Compruebe que no haya fugas

⚠ ¡ADVERTENCIA!

No utilice una llama para verificar si hay fugas en las conexiones de gas. La comprobación de fugas con una llama puede provocar un incendio o una explosión.

Después de conectar el horno al suministro de gas, compruebe si hay fugas en el sistema con un manómetro. Si no hay un manómetro disponible, encienda el suministro de gas y utilice un detector de fugas de líquido (o jabón y agua) en todas las juntas y conexiones para comprobar si hay fugas. Las fugas se indicarán mediante burbujas que aparecen en las conexiones o juntas.

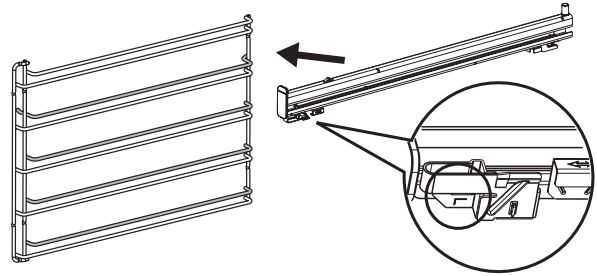
Todas las aberturas de la pared o el suelo donde se va a instalar el horno deben estar selladas.

1. Apriete todas las conexiones si es necesario para evitar fugas de gas en la placa de cocción o en la línea de suministro
2. Desconecte este horno y su válvula de cierre individual del sistema de tuberías de suministro de gas durante cualquier prueba de presión del sistema a presiones de prueba superiores a 1/2 psig (3.5 kPa or 14" (35.56 cm) de columna de agua)..
3. Aísle el horno del sistema de tuberías de suministro de gas cerrando la válvula de cierre manual individual durante cualquier prueba de presión del sistema de tuberías de suministro de gas a presiones de prueba iguales o inferiores a 1/2 psig (3.5 kPa o 14" (35.56 cm) de columna de agua).

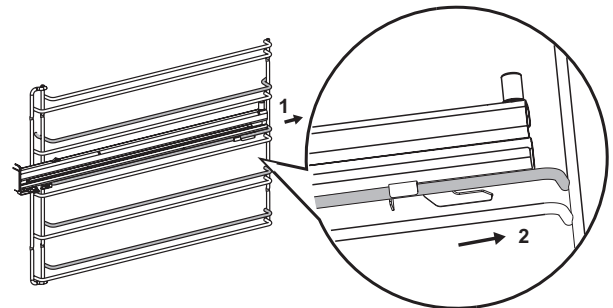
6 Instalación de la parrilla para horno

6.1 Instalación de la parrilla deslizable

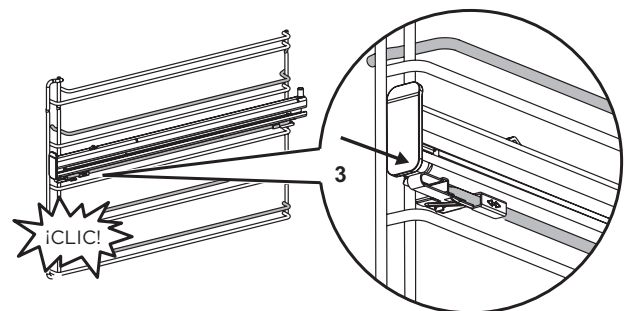
1. Obtenga el soporte lateral del lado izquierdo y el deslizador izquierdo; consulte la imagen para identificar.



2. Los cables sombreados indican el cable en el que se puede montar el deslizador. Coloque los clips traseros del deslizador en la parte trasera del cable en un ángulo como se muestra a continuación.



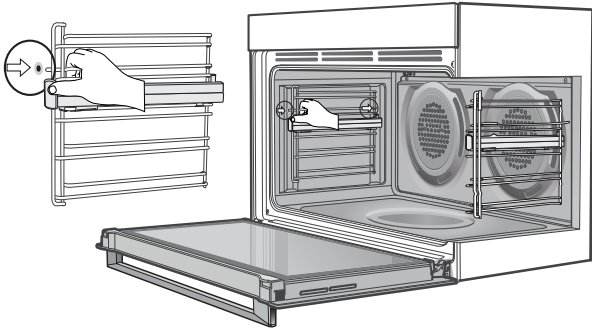
3. Empuje el clip frontal del deslizador sobre el cable hasta que quede fijado.



INSTRUCCIONES DE INSTALACIÓN DE HORNO DE GAS DE 36"

6.2 Instalación de los soportes laterales

1. Inserte la clavija trasera en el orificio de acceso trasero proporcionado, asegurándose de que la clavija esté completamente insertada.
2. A continuación, coloque la clavija delantera en el orificio de acceso delantero y empuje firmemente.

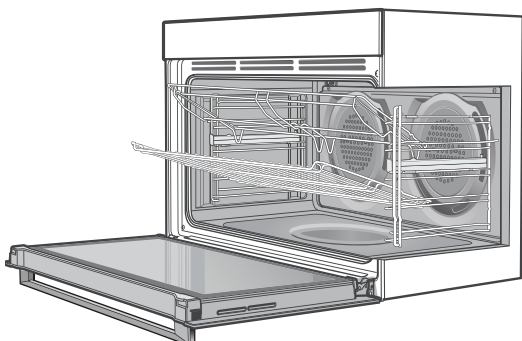


6.3 Colocación de las parrillas para horno entre los cables de los soportes laterales

Las parrillas para horno están diseñadas para que tengan la máxima extensión pero no se puedan sacar accidentalmente.

Para colocar las parrillas para horno en los soportes laterales:

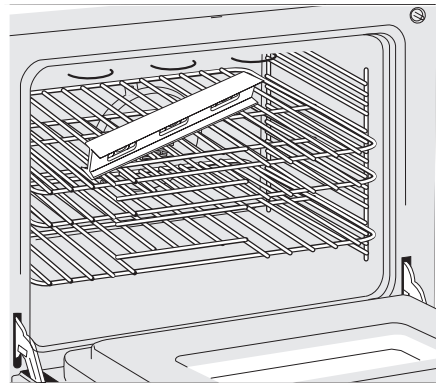
1. Localice el borde trasero de la parrilla para horno entre los rieles guía del soporte lateral; consulte el diagrama.
2. Asegúrese de que se estén acoplando las mismas posiciones de rieles a ambos lados del horno. Con el borde frontal levantado, comience a deslizar la parrilla para horno.
3. Una vez que los retenes hayan pasado el borde frontal del soporte lateral, la parrilla puede introducirse completamente. Cuando estén completamente insertados, las parrillas para horno no deben interferir con la puerta cerrada del horno.



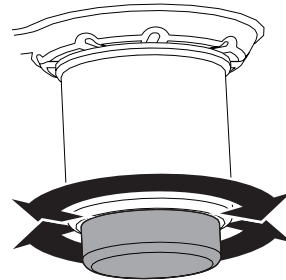
7 Nivelar el horno

Nivelar el horno y ajustar la altura de la placa de cocción antes de la instalación.

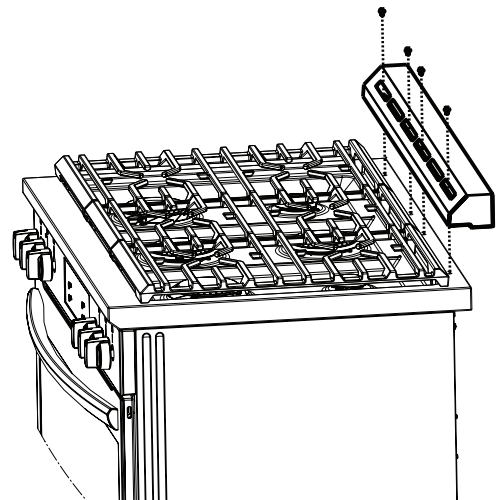
1. Instale una parrilla para horno en el centro del horno.
2. Coloque un nivel en la parrilla como se muestra en la figura siguiente. Tome 2 lecturas con el nivel colocado en diagonal en una dirección y luego en la otra.



3. Enrosque o desenrosque la parte inferior de la pata hasta que el electrodoméstico sea estable y esté nivelado en el suelo.



Instalación de la moldura de ventilación



Fije la moldura de ventilación en la parte trasera de la placa con los cuatro tornillos provistos.

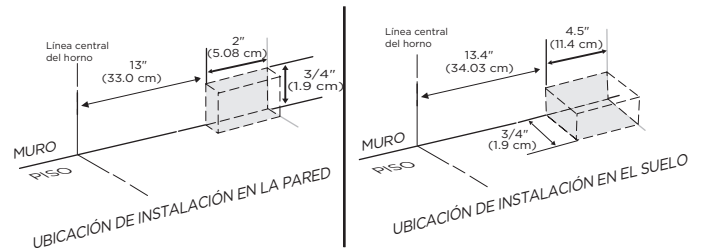
INSTRUCCIONES DE INSTALACIÓN DE HORNO DE GAS DE 36"

8 Instalación de antivuelco

⚠ ¡ADVERTENCIA!

Para reducir el riesgo de vuelco del electrodoméstico, este debe fijarse al suelo o a la pared con la cadena antivuelco, el gancho y el tornillo correctamente instalados y empaquetados con el horno. Estas piezas se encuentran en el horno. Si no se instala la cadena antivuelco, el horno se volcará si se coloca un peso excesivo en una puerta abierta o si un niño se sube a ella. Podrían producirse lesiones graves por derrames de líquidos calientes o por el propio horno.

Si alguna vez se coloca el horno en una ubicación diferente, el dispositivo antivuelco también debe moverse e instalarse con el horno.



- Empuje con cuidado el aparato en el gabinete contra la pared. Alcance la cadena desde el abertura entre las patas delanteras y fije el cadena al gancho. Dar un pequeño tirón para asegurarse está enganchado firmemente.
- atornillando el gancho hasta que quede poco que sin holgura en la cadena. El gancho debe mirar hacia arriba (instalación en la pared) o frente a la pared trasera (para instalación en el piso) en la posición final para asegurar el bloqueo óptimo de la cadena.

8.1 Instalación de la cadena antivuelco y el gancho

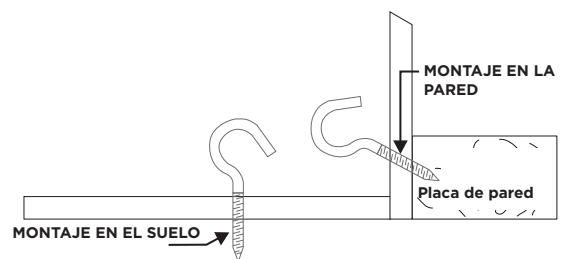
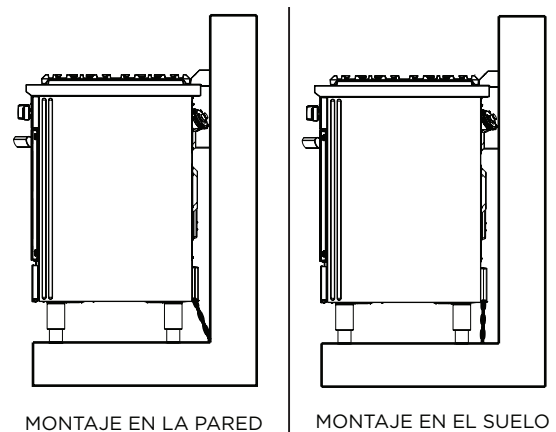
Para garantizar la estabilidad del horno, la cadena antivuelco y el gancho deben instalarse en el subsuelo de madera o en la placa base de madera de la pared.

Deben seguirse los siguientes pasos para garantizar la correcta instalación de la cadena antivuelco y el gancho para la estabilidad de los electrodomésticos.

⚠ ¡PRECAUTION!

No se recomienda empujar y tirar del electrodoméstico sobre una superficie irregular o rugosa. Utilice otros medios para manipular el electrodoméstico si es necesario.

- Ubique el gancho provisto en el kit de literatura necesarios para la instalación antivuelco.
- Puede elegir la placa base de pared o el suelo para instalar el gancho. Utilizar el imagen apropiada desde abajo basada en el tipo de instalación que elija para seleccionar el ubicación para el gancho. Taladre el agujero piloto de 1/16" (recomendado) diámetro a 45 grados para pared montaje y 90 grados para el montaje en el suelo instalación del gancho en el lugar elegido. Tornillo el gancho en el agujero pero no lo atornille todo el entrada. Los hilos restantes se pueden usar para ajustar la tensión en la cadena.



⚠ ¡ADVERTENCIA!

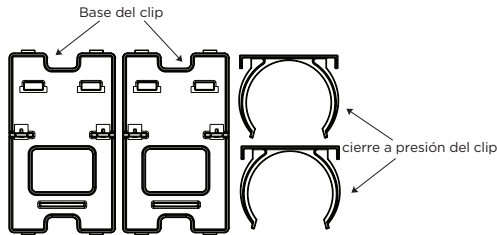
- Utilice los sujetadores suministrados con el horno para instalar la cadena antivuelco.
- La unidad independiente se debe empujar hacia arriba contra la pared durante la instalación. En las unidades de gas, compruebe que la manguera de gas, si se utiliza, no se haya retorcido durante la instalación.

INSTRUCCIONES DE INSTALACIÓN DE HORNO DE GAS DE 36"

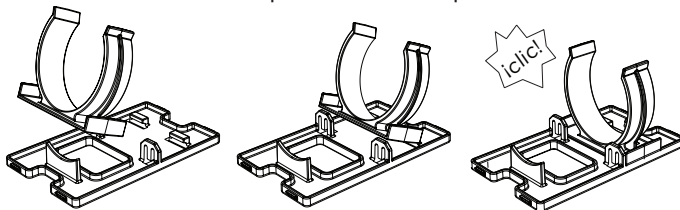
8.2 Instalación del panel de zócalo

El horno se suministra con un panel de clip y un panel de zócalo que se pueden montar para enganchar en la parte delantera del horno para una apariencia de cocina más integrada y uniforme.

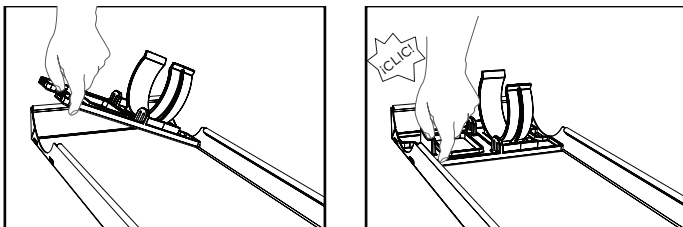
Nota: Se requiere un mínimo de 36" de altura de instalación de la superficie de cocción necesaria para facilitar la instalación del zócalo. Árbol de dimensión "D" en la página 25 para la altura de la superficie de cocción medición,



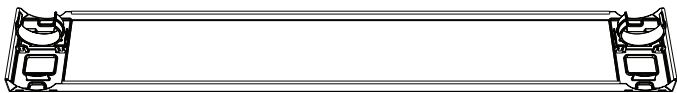
1. Monte el cierre a presión del clip en la base.



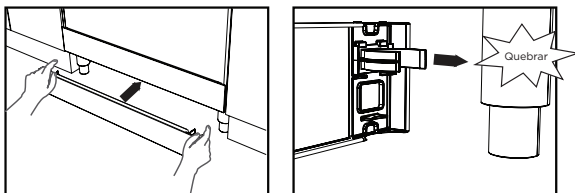
2. Presione ambos módulos de clip montados en el panel de apoyo en la orientación que se muestra a continuación.



3. Asegúrese de que ambos módulos de clip estén en la misma orientación después de la instalación.



4. Enganche el panel de apoyo en las patas delanteras del electrodoméstico. Asegúrese de que el panel de apoyo encaje en la sección más grande de las patas delanteras. d'appui s'enclenche dans la partie la plus large des pieds avant.



9 Instalación del conjunto del quemador

⚠ ¡PRECAUTION!

Para evitar llamaradas, use la placa de cocción con todas las tapas de los quemadores correctamente instaladas.

Nota: Retire todo el material de empaque del área de la placa de cocción antes de instalar los quemadores.

9.1 Quemador doble

El quemador doble encaja en la parte delantera derecha y delantera izquierda de la placa de cocción. Viene con un conjunto de 3 piezas y funciona con dos boquillas en la base del quemador.

Instalación del quemador doble

1. Coloque la bandeja del quemador correctamente en la base del quemador. Asegúrese de que la boquilla periférica esté alineada con el orificio de la bandeja del quemador y que las 3 pestañas de la copa del quemador se asienten en las ranuras provistas en la base del quemador.
2. El cabezal del quemador debe estar centrado en la bandeja del quemador, luego inserte la parte extendida en la parte inferior del cabezal del quemador en las ranuras provistas en la bandeja del quemador. Asegúrese de que la marca del cabezal apunte hacia el encendedor.
3. Coloque la tapa del quemador en el cabezal del quemador. Asegúrese de que cada tapa del quemador esté correctamente alineada y nivelada.

INSTRUCCIONES DE INSTALACIÓN DE HORNO DE GAS DE 36"

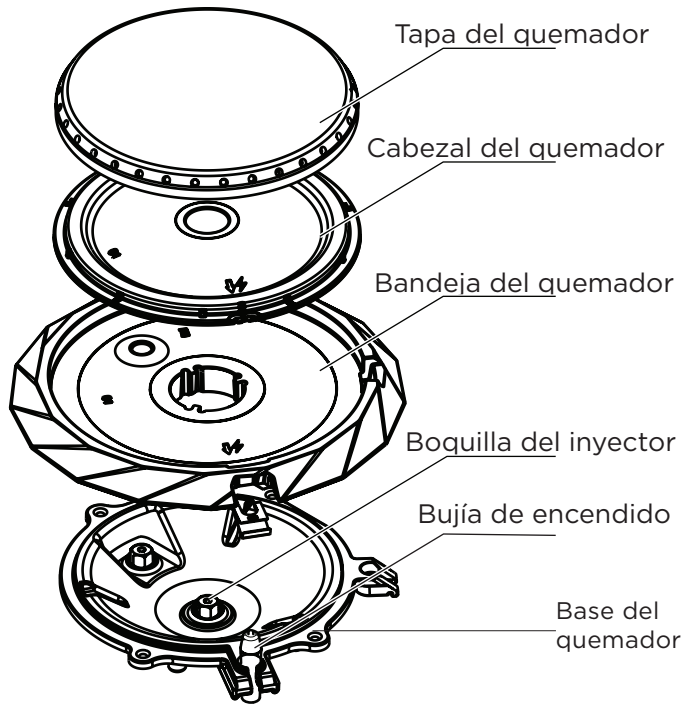


Figura 12: Conjunto de quemador doble

Una vez que la tapa del quemador esté en su lugar, puede revisar el ajuste deslizando suavemente la tapa del quemador de lado a lado (Figura 13) para asegurarse de que esté centrada y bien asentada. Cuando el reborde de la tapa del quemador haga contacto dentro del centro del cabezal del quemador, podrá escuchar un clic en la tapa del quemador.

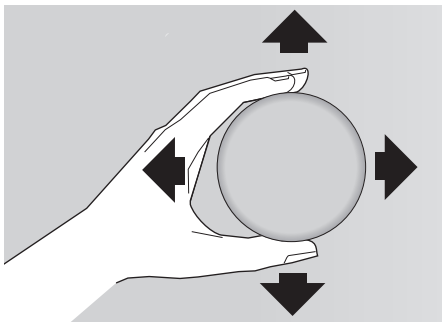


Figura 13: Mueva la tapa suavemente para colocarla correctamente

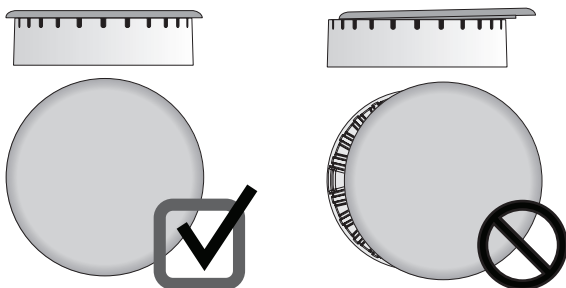


Figura 14: Colocación de la tapa del quemador

Nota: Desempaque las rejillas del quemador y colóquelas en la placa de cocción después de que los cabezales y las tapas del quemador estén bien instalados.

9.2 Quemador individual

Todos los demás quemadores de la placa de cocción son quemadores individuales. Viene con un conjunto de 2 piezas y funciona con una sola boquilla.

Instalación del quemador único

1. Alinee la marca de la flecha en el cabezal del quemador con el encendedor y coloque el cabezal del quemador en la base del quemador de forma que las pestañas del cabezal se asienten en las ranuras de la base.
2. Coloque la tapa del quemador en el cabezal del quemador. Asegúrese de que la tapa esté centrada y se ajuste perfectamente al cabezal.

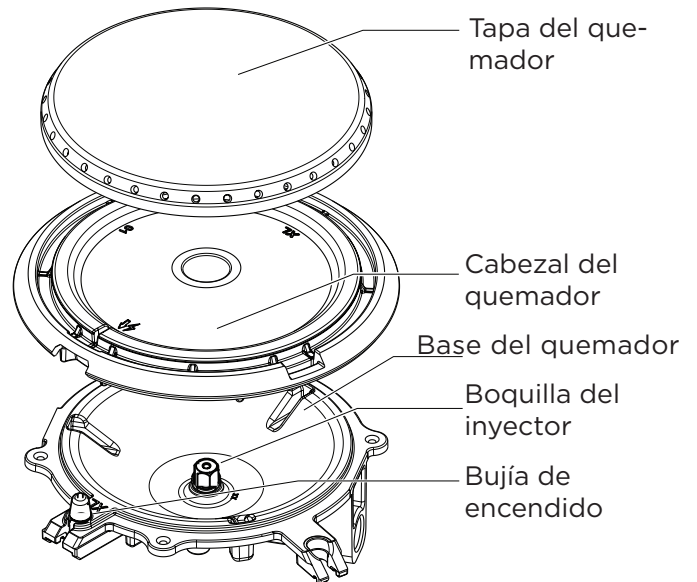


Figura 15: Conjunto de quemador individual

9.3 Comprobación del encendido de los quemadores de superficie

El funcionamiento de los encendedores eléctricos debe comprobarse después de verificar cuidadosamente si hay fugas en los conectores de la línea de suministro y del horno y si el horno se ha conectado al suministro eléctrico.

1. Presione y gire una perilla del quemador de superficie a la posición "🔥" (lite [encender]). Todos los encendedores eléctricos de superficie se encenderán al mismo tiempo. Solo se iluminará el quemador que está encendiendo.
2. El quemador de superficie debe encenderse una vez que el flujo de gas haya llegado al quemador de superficie. Cada quemador debe encenderse en un plazo de cuatro (4) segundos en funcionamiento normal después de que se haya purgado el aire de las líneas de suministro. Compruebe visualmente que el quemador se haya colocado en lite (encender).
3. Una vez que el quemador se enciende, la perilla de control se debe girar fuera de la posición "🔥" (lite [encender]).

Encienda cada uno de los quemadores de superficie y compruebe que se encienden correctamente y que las llamas son uniformes. Ajuste la configuración si es necesario.

9.4 Ajustar la configuración Low (Bajo) en los quemadores de superficie

Para colocar el ajuste bajo en los quemadores de superficie:

1. Empuje y gire el control a "🔥" (lite [encender]) hasta que el quemador se encienda.
2. Presione y gire rápidamente la perilla a Lowest position (Posición más baja).
3. Si el quemador se apaga, reinicie el control a OFF (Apagado).
4. Retire la perilla de control del quemador de superficie y el anillo decorativo.
5. Inserte un destornillador delgado en el vástago hueco de la válvula y acople en el tornillo ranurado en el interior. El tamaño de la llama se puede aumentar o disminuir girando el tornillo.
6. Ajuste la llama hasta que pueda girar rápidamente la perilla de posición de chispas a la llama más baja sin apagar la llama. La llama debe ser lo más pequeña posible sin apagarse.

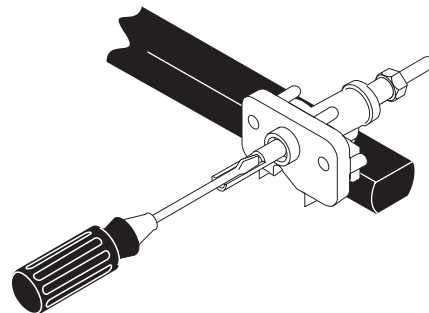


Figura 16: Gire para ajustar la llama de la superficie

NOTAS:

- No es necesario ajustar la mezcla de aire en los quemadores de superficie.
- Algunos modelos tienen dos llamas en cada quemador. La llama central de estos quemadores no es ajustable.

INSTRUCCIONES DE INSTALACIÓN DE HORNO DE GAS DE 36"

10 Comprobar el funcionamiento del horno

Consulte la Guía de uso y mantenimiento incluida con el horno para ver las instrucciones de uso y para ver el cuidado y la limpieza del horno.

Retire todo el embalaje del horno antes de realizar la prueba.

El horno está equipado con un control electrónico de horno. Cada una de las funciones se ha comprobado de fábrica antes del envío. Sin embargo, se recomienda verificar de nuevo el funcionamiento de los controles electrónicos del horno. Consulte la Guía de uso y mantenimiento para obtener información sobre el funcionamiento. Siga las instrucciones de las funciones Clock (Reloj), Timer (Temporizador), Bake (Hornear), Broil (Asar), Convection (Convección) y Clean (Limpieza).

Hornear - Después de ajustar el horno a 177 °C (350 °F) para hornear, el suelo de la cavidad del horno debe calentarse.

Asar - Cuando el horno está ajustado en Asar, el elemento superior del horno debe ponerse rojo.

Limpieza - Cuando el horno está configurado para un ciclo de autolimpieza, el elemento superior debe ponerse rojo durante la parte de precalentamiento del ciclo. Una vez alcanzada la temperatura de autolimpieza, el suelo de la cavidad del horno debería calentarse.

Convección - Cuando el horno está ajustado en CONV. Hornear/rostar a 177 °C (350 °F), ambos elementos se encienden y apagan alternativamente y el ventilador de convección se enciende. El ventilador de convección dejará de girar cuando se abra la puerta del horno durante el horneado o rostizado por convección.

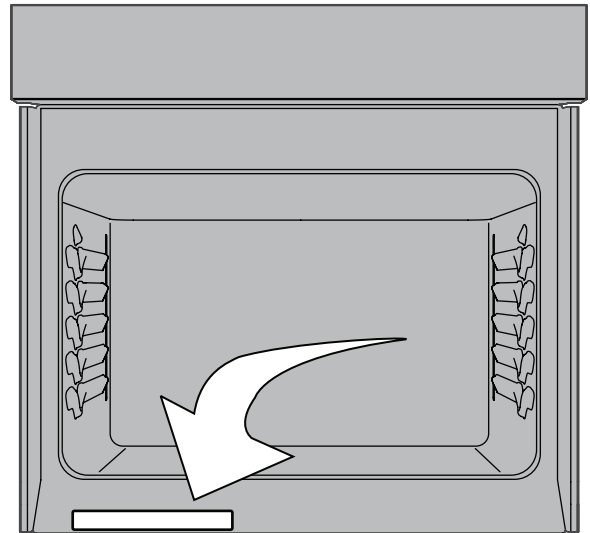
11 Después de la instalación

Cuando se hayan realizado todas las conexiones

Asegúrese de que todos los controles estén en la posición OFF (Apagado).

Ubicación del número de modelo y de serie

La placa de serie se encuentra en el interior de la puerta del cajón de almacenamiento y puede verse claramente cuando la puerta está abierta (Figura 17). Cuando solicite piezas o realice consultas sobre su horno, tenga a mano el modelo y los números de serie.



Ubicación del número de serie

Figura 17: Modelo, ubicación del número de serie

Antes de llamar al servicio

Lea la Lista de verificación para evitar el servicio y las instrucciones de funcionamiento en su Guía de uso y mantenimiento. Podría ahorrarle tiempo y gastos. La lista menciona situaciones comunes que pueden ocurrir y que no responden a un problema de fabricación o partes defectuosas en este electrodoméstico.

Consulte la información de garantía y servicio en su Guía de uso y mantenimiento para conocer nuestro número de teléfono y dirección. Llame o escriba si tiene preguntas sobre su horno y/o necesita solicitar piezas.

INSTRUCTIONS D'INSTALLATION CUISINIÈRE À GAZ 36"

L'INSTALLATION ET L'ENTRETIEN DOIVENT ÊTRE EFFECTUÉS PAR UN
INSTALLATEUR QUALIFIÉ.

**IMPORTANT : CONSERVEZ POUR UTILISATION PAR L'INSPECTEUR ÉLECTRIQUE
LOCAL.**

LISEZ ET CONSERVEZ CES INSTRUCTIONS POUR CONSULTATION ULTÉRIEURE.



⚠ AVERTISSEMENT POUR VOTRE SÉCURITÉ : N'entrez pas
ou n'utilisez pas de l'essence ou d'autres vapeurs et liquides
inflammables à proximité de cet appareil ou de tout autre appareil.

Table des matières

Consignes de sécurité importantes	43-45
Dimensions du produit.....	46
Dimensions du meuble	47
Construction des meubles.....	48-49
Exigences électriques.....	50
Cordon d'alimentation	51
Exigences en matière d'alimentation en combustible	51-55

Raccorder l'alimentation en combustible.....	55-56
Installation de la grille du four	56-57
Mettre à niveau la cuisinière	57
Installation du dispositif anti-basculement.....	58-59
Installation de l'assemblage du brûleur.....	59-61
Vérifier le fonctionnement du four.....	62
Après l'installation	62

Remarques importantes à l'attention de l'installateur

1. Lisez toutes les instructions d'installation
contenues dans les présentes avant d'installer la
cuisinière.
2. Retirez tout le matériel d'emballage du four
et des compartiments à tiroirs avant de relier
l'alimentation électrique à la cuisinière.
3. Le dispositif anti-basculement fourni avec
l'appareil doit être installé.
4. Respectez tous les codes et ordonnances en
vigueur.
5. Veillez à laisser ces instructions au client.

Remarques importante pour le client

1. Conservez ces instructions avec votre guide
d'utilisation et d'entretien pour référence
ultérieure.
2. Lorsque vous utilisez un appareil générant de la
chaleur, vous devez suivre certaines précautions
de sécurité. Ces précautions sont expliquées
dans votre guide d'utilisation et d'entretien.
Lisez attentivement votre manuel.
3. Assurez-vous que votre appareil est installé et
mis à la terre par un technicien ou un installateur
qualifié.

CONSIGNES DE SÉCURITÉ IMPORTANTES

Cet appareil doit être installé, mis à la terre et entretenu par un technicien ou un installateur qualifié.

Ce manuel contient des symboles de sécurité et des instructions importants. Veuillez porter attention à ces symboles et suivre toutes les instructions données. Ne tentez pas d'installer ou d'utiliser l'appareil avant d'avoir lu les précautions de sécurité décrites dans ce manuel. Les articles de sécurité dans ce manuel sont étiquetés AVERTISSEMENT ou MISE EN GARDE selon le type de risque.

Les avertissements et les instructions importantes apparaissant dans ce guide ne sont pas destinés à couvrir toutes les conditions et situations possibles qui peuvent se produire. Le bon sens, la prudence et le soin doivent être exercés lors de l'installation, de l'entretien ou de l'utilisation de votre appareil.

⚠ Il s'agit du symbole d'alerte de sécurité. Ce symbole sert à vous avertir des dangers potentiels de blessures. Respectez tous les messages de sécurité qui suivent ce symbole afin d'éviter de possibles blessures ou la mort.

⚠ AVERTISSEMENT Indique une situation potentiellement dangereuse qui, si elle n'est pas évitée, peut entraîner des blessures graves ou la mort.

⚠ PRÉCAUTION Indique une situation potentiellement dangereuse qui, si elle n'est pas évitée, peut entraîner des blessures mineures ou modérées.

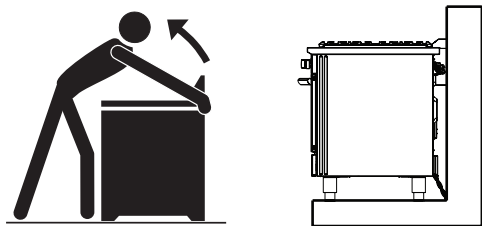
IMPORTANT: Indique les informations d'installation, de fonctionnement, d'entretien ou d'autres informations importantes qui ne sont pas liées aux dangers.

⚠ AVERTISSEMENT Risque de basculement



- Un enfant ou un adulte peut faire basculer la cuisinière et être tué.
- Vérifiez que le dispositif anti-basculement a été installé sur le plancher ou le mur.

- Assurez-vous que le dispositif anti-basculement est réengagé au sol ou au mur lorsque la cuisinière est déplacée.
- Ne pas faire fonctionner la cuisinière sans que le dispositif anti-basculement soit en place et engagé.
- Le non-respect de ces instructions peut entraîner la mort ou des brûlures graves chez les enfants et les adultes.



Pour vérifier si le dispositif anti-basculement est correctement installé, saisissez à deux bras le bord du dossier de la cuisinière. En usant de prudence, tentez d'incliner la cuisinière vers l'avant. Lorsqu'elle est correctement installée, la cuisinière ne doit pas s'incliner vers l'avant.

Reportez-vous aux instructions d'installation du support anti-basculement fourni avec votre cuisinière, pour une installation correcte.

⚠ AVERTISSEMENT Le non-respect des consignes de ce manuel peut entraîner un risque d'incendie ou d'explosion susceptible de provoquer des dommages matériels, des blessures, voire la mort.

POUR VOTRE SÉCURITÉ:

- N'entreposez/n'utilisez pas de l'essence ou d'autres vapeurs inflammables à proximité de cet appareil ou de tout autre appareil.
- QUE FAIRE SI VOUS SENTEZ DU GAZ:
 - N'essayez pas d'allumer un appareil.
 - Ne touchez à aucun interrupteur électrique; n'utilisez pas de téléphone dans votre bâtiment.
 - Appelez immédiatement votre fournisseur de gaz à partir du téléphone d'un voisin. Suivez les instructions du fournisseur de gaz.
 - Si votre fournisseur de gaz ne peut être joint, appelez le service d'incendie.
- L'installation et l'entretien doivent être effectués par un installateur qualifié, un fournisseur de services ou le fournisseur de gaz.

INSTRUCTIONS D'INSTALLATION - CUISINIÈRE À GAZ 36"

⚠ AVERTISSEMENT

- **Risque de poids excessif** - Mettez-vous à deux ou plus pour déplacer et installer la cuisinière. Le non-respect de ces instructions peut entraîner des blessures au dos ou d'autres blessures.
- **Entreposage dans ou sur l'appareil**- Les matériaux inflammables ne doivent pas être entreposés dans un four ou un micro-ondes, près des brûleurs ou des éléments de surface, ou dans le tiroir de rangement ou le tiroir chauffant (le cas échéant). Cela comprend le papier, le plastique et les articles en tissu, comme les livres de cuisine, les articles en plastique et les serviettes ainsi que les liquides inflammables. N'entreposez pas d'explosifs, comme des bombes aérosol, sur ou près de l'appareil.
- **Ne laissez pas les enfants seuls** - Les enfants ne doivent pas être laissés seuls ou sans surveillance dans la zone où l'appareil est utilisé. Ils ne doivent jamais être autorisés à s'asseoir ou à se tenir debout sur une quelconque partie de l'appareil, y compris le tiroir de rangement, le tiroir du gril inférieur, le tiroir chauffant ou le four double inférieur.
- Ne rangez pas d'articles d'intérêt pour les enfants dans les armoires au-dessus de l'appareil ou sur les dossierets des cuisinières. Les enfants qui grimpent sur ou près de l'appareil pour atteindre des objets pourraient être gravement blessés.
- Le fait de marcher, de se pencher ou de s'asseoir sur la porte ou les tiroirs de cet appareil peut entraîner des blessures graves et endommager l'appareil.
- N'utilisez pas le four ou le tiroir chauffant (le cas échéant) pour le rangement.
- N'utilisez jamais votre appareil comme appareil de chauffage pour réchauffer la pièce. Cela pourrait entraîner un empoisonnement au monoxyde de carbone et une surchauffe de l'appareil.
- N'entreposez ou n'utilisez pas de l'essence ou d'autres vapeurs inflammables à proximité de cet appareil ou de tout autre appareil.

⚠ AVERTISSEMENT

- Les hottes à rideau d'air ou autres hottes de cuisinière qui fonctionnent en soufflant un débit d'air vers le bas sur une cuisinière ou une table de cuisson ne doivent pas être utilisées conjointement avec des cuisinières à gaz ou des plaques de cuisson, à moins d'avoir été conçues, testées et répertoriées par un laboratoire d'essai indépendant pour une utilisation en combinaison.

INSTRUCTIONS IMPORTANTES POUR LE DÉBALLAGE ET L'INSTALLATION

Lisez et suivez les instructions et précautions ci-dessous pour le déballage, l'installation et l'entretien de votre appareil:

- Détruisez le carton et les sacs en plastique après le déballage de l'appareil. Ne laissez jamais les enfants jouer avec le matériel d'emballage. Ne retirez pas l'étiquette de câblage et les autres documents fixés à l'appareil. Ne retirez pas la plaque du numéro de modèle/série.
- Les températures froides peuvent endommager la commande électronique. Lorsque vous utilisez cet appareil pour la première fois, ou lorsque l'appareil n'a pas été utilisé pendant une période prolongée, assurez-vous que l'appareil a été à des températures supérieures à 0°C (32°F) pendant au moins 3 heures avant d'allumer l'appareil.
- Ne modifiez ou n'altérez jamais la construction de l'appareil en retirant les pieds de nivellement, les panneaux, les couvercles de fils, le support anti-basculement ou toute autre pièce de l'appareil.
- Installation adéquate: assurez-vous que votre appareil est correctement installé et mis à la terre par un technicien qualifié. Aux États-Unis, installez conformément au Code national du gaz combustible ANSI Z223.1/NPFA No. 54, la dernière édition et le Code national de l'électricité NFPA No. 70, dernière édition, et aux exigences du Code local de l'électricité. Au Canada, installez conformément aux normes CAN/CGA B149.1 et CAN/CGA B149.2 et à la norme CSA C22.1, Code canadien de l'électricité, partie 1 - dernières éditions et aux exigences du Code local de l'électricité. Installez uniquement selon les instructions d'installation fournies dans la documentation de cet appareil.

INSTRUCTIONS D'INSTALLATION - CUISINIÈRE À GAZ 36"

- L'installation d'appareils conçus pour les maisons préfabriquées (mobiles) doit être conforme aux normes Manufactured Home Construction and Safety Standards, titre 24 CFR, partie 3280 [anciennement la norme fédérale pour la construction et la sécurité des maisons mobiles, titre 24, HUD (partie 280)] ou, lorsque cette norme n'est pas applicable, aux normes Manufactured Home Installation de 1982 (sites, communautés et installations de résidences préfabriquées), ANSI Z225.1/NFPA 501A, dernière édition, ou aux codes locaux des États-Unis et à la norme CAN/CSA-Z240 MH au Canada.
- Avant d'installer la cuisinière dans une zone recouverte de linoléum ou de tout autre revêtement de sol synthétique, assurez-vous que le revêtement de sol peut supporter une chaleur supérieure d'au moins 32.2°C (90°F) à la température ambiante sans rétrécir, se déformer ou se décolorer. N'installez pas la cuisinière sur une moquette à moins de placer un coussin isolant ou une feuille de contreplaqué de 0,64 cm (1/4") d'épaisseur entre la cuisinière et la moquette.
- Assurez-vous que les revêtements muraux et les matériaux des meubles autour de la cuisinière peuvent résister à la chaleur générée par l'appareil.
- Pour éviter tout risque de brûlure ou d'incendie en passant la main au-dessus d'une unité de surface chauffée, il convient de ne mettre aucun meuble de rangement au-dessus de l'unité de surface. Si un meuble de rangement est prévu, le risque peut être réduit en installant une hotte de cuisine qui dépasse horizontalement d'au moins 5 pouces le bas du meuble.
- N'obstruez pas le débit d'air au niveau de l'évent du four, autour de la base ou sous le panneau avant inférieur de l'appareil. Cet appareil nécessite de l'air frais pour fonctionner correctement.
- Assurez-vous d'avoir un extincteur de type mousse approprié à portée de main, visible et facilement accessible près de l'appareil.

INSTRUCTIONS SPÉCIALES POUR LES APPAREILS INSTALLÉS DANS L'ÉTAT DU MASSACHUSETTS

Dans l'État du Massachusetts, cet appareil ne peut être installé que par un plombier ou monteur d'installations au gaz certifié. Lors de l'utilisation d'un raccord de gaz flexible, sa longueur ne doit pas dépasser 3 pieds (36 pouces). Un robinet de gaz manuel à poignée en "T" doit être installé sur la conduite d'alimentation en gaz de cet appareil..

CONVERSION AU GAZ (PL)

Cet appareil permet la conversion en gaz de pétrole liquéfié (PL).

⚠ AVERTISSEMENT Des blessures corporelles ou la mort par choc électrique peuvent se produire si la conversion au gaz de PL n'est pas effectuée par un installateur ou un électricien qualifié. Toute conversion ou tout ajout ou changement requis pour que cet appareil réponde de manière satisfaisante aux besoins de l'application doit être effectué par un technicien qualifié.

Si une conversion PL est nécessaire, communiquez avec votre fournisseur local de gaz de PL pour obtenir de l'aide. Le kit de conversion PL est fourni avec cet appareil et se trouve sur le panneau inférieur ARRIÈRE de la cuisinière. Avant d'installer le kit, veuillez lire les instructions d'installation du PL et les suivre attentivement lors de l'installation.

INSTRUCTIONS IMPORTANTES POUR L'ENTRETIEN ET LA RÉPARATION

- Ne réparez ni ne remplacez aucune pièce de l'appareil à moins que cela ne soit spécifiquement recommandé dans les manuels. Tous les autres entretiens doivent être effectués uniquement par un technicien qualifié. Cela réduit le risque de blessures corporelles et de dommages à l'appareil.
- Contactez toujours votre détaillant, distributeur, agent de service ou fabricant au sujet de problèmes ou de conditions que vous ne comprenez pas.
- Demandez à votre concessionnaire de recommander un technicien qualifié et un service de réparation agréé. Sachez comment couper l'alimentation de l'appareil au disjoncteur ou à la boîte à fusibles en cas d'urgence.
- Retirez la porte du four de tout four inutilisé s'il doit être conservé ou jeté.
- Ne touchez pas une ampoule chaude du four avec un chiffon humide. Cela pourrait briser l'ampoule. Manipulez les lampes halogènes (le cas échéant) avec des essuie-tout ou des gants souples. Débranchez l'appareil ou coupez l'alimentation de l'appareil avant de retirer et de remplacer l'ampoule.

INSTRUCTIONS D'INSTALLATION - CUISINIÈRE À GAZ 36"

Dimensions du produit

⚠ AVERTISSEMENT N'installez pas l'appareil dans le meuble avant d'avoir lu les deux pages suivantes.

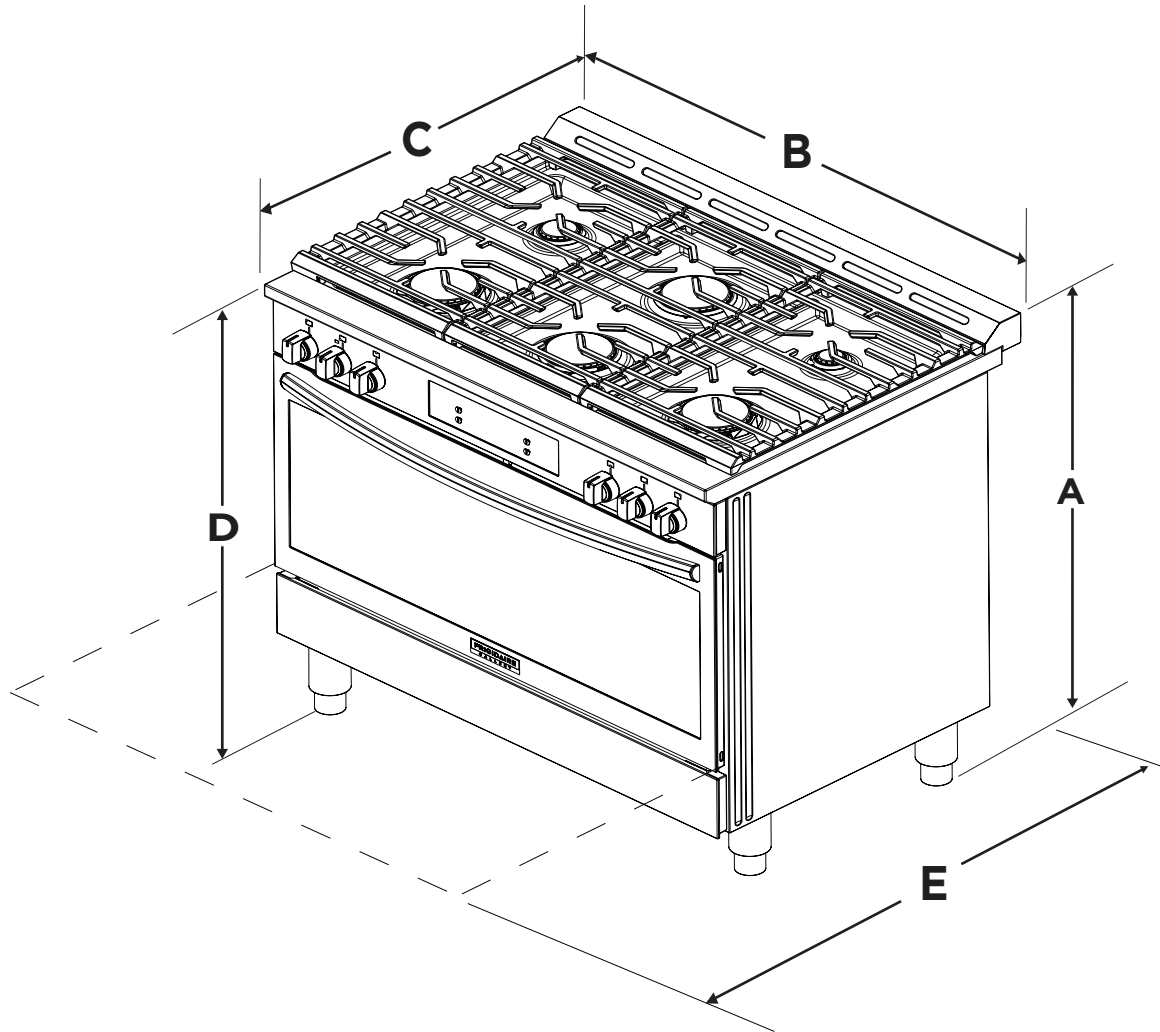


Figure 1: Dimensions du produit

MODÈLE	A. HAUTEUR	B. LARGEUR	C. PROFONDEUR À L'AVANT DE LA GAMME	D. HAUTEUR DE LA TABLE DE CUISSON	E. PROFONDEUR PORTE OUVERTE
36"	37 7/8" (96.2 cm) Min.	35 7/8" (91.1 cm)	25 7/8" (65.7 cm)	35 3/4" (90.8 cm) Min.	43 3/8" (110.1 cm)
	38 5/8" (98.1 cm) Max.			36 1/2" (92.7 cm) Max.	

INSTRUCTIONS D'INSTALLATION - CUISINIÈRE À GAZ 36"

Dimensions du meuble

Dégagements et dimensions

- Prévoyez des dégagements suffisants entre l'appareil et les surfaces combustibles adjacentes.
- Emplacement - Vérifiez l'emplacement d'installation de l'appareil. Vérifiez l'alimentation électrique et la stabilité du plancher.
- Les dimensions indiquées doivent être respectées. Les dimensions fournies offrent un dégagement minimum. La surface de contact doit être solide et à niveau.

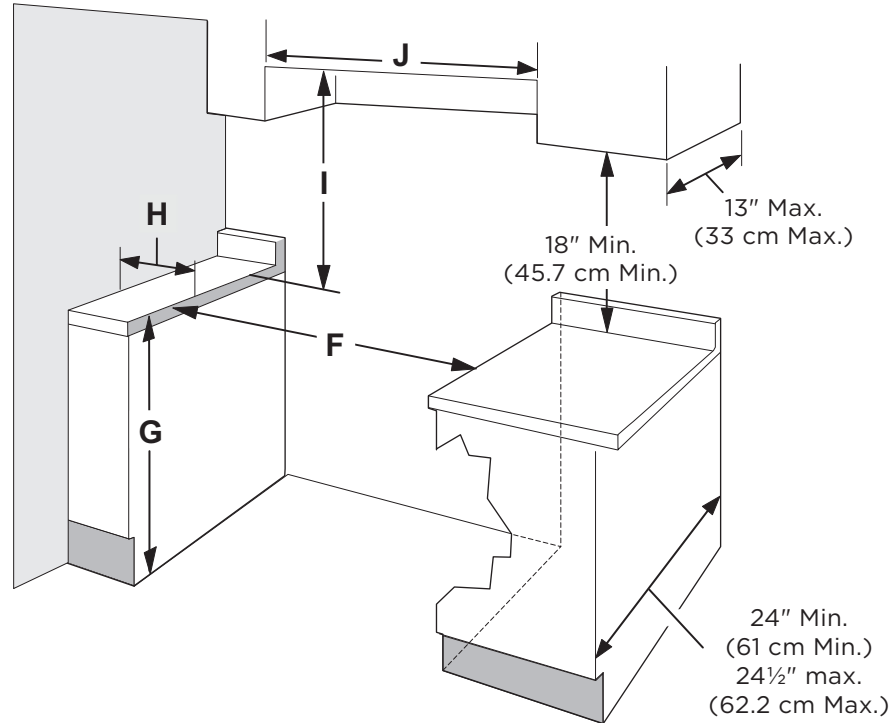


Figure 2: Dimensions du meuble

MODÈLE	F. LARGEUR DE DÉCOUPE MINIMALE	G. HAUTEUR DU COMPTOIR	H. DÉGAGEMENT DES PAROIS LATÉRALES ²	I. DÉGAGEMENT DE LA TABLE DE CUISSON ET DU FOND DE L'ARMOIRE ³	J. LARGEUR DE DÉGAGEMENT DES ARMOIRES SUPÉRIEURES
36"	36" (91.4 cm)	36" (91.4 cm) Standard	5" (12.7 cm) Min.	36" (91.4 cm) Min.	36" (91.4 cm) Min.
		35 3/4" (90.8 cm) Min.			

REMARQUES:

1. Ne scellez pas la cuisinière aux meubles adjacents.
2. Dégagement par rapport aux murs adjacents ou à d'autres surfaces ou structures verticales telles que les meubles.
3. Les mesures indiquées sont les distances minimales entre la table de cuisson et le fond du meuble.
4. Dégagement de 0" entre la cuisinière et les meubles ou les surfaces verticales qui sont sous la hauteur de la table de cuisson.
5. Dégagement de 0" entre l'arrière de la cuisinière et la paroi arrière ou le meuble.

*Dégagement minimum de 914 mm (36") entre le dessus de la surface de cuisson et le fond d'un meuble en bois ou en métal non protégé; ou dégagement minimum de 762 mm (30") lorsque le fond du meuble en bois ou en métal est protégé par un panneau de particules ignifuge d'au moins 6 mm (1/4") recouvert d'au moins une tôle d'acier MSG No.28, d'acier inoxydable de 0.4 mm (0.015"), d'aluminium de 0.6 mm (0.024") ou de cuivre de 0.5 mm (0.020"). Dégagement minimum de 0 mm (0") pour l'arrière de la cuisinière.

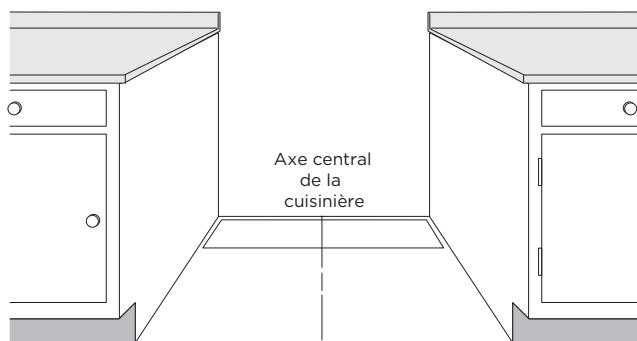
Respectez toutes les exigences en matière de dimensions indiquées ci-dessus afin d'éviter les dommages matériels, les risques d'incendie et les coupes incorrectes de comptoirs et de meubles.

INSTRUCTIONS D'INSTALLATION - CUISINIÈRE À GAZ 36"

1 Construction des meubles

⚠ PRÉCAUTION

Pour éviter tout risque de brûlure ou d'incendie en passant la main au-dessus d'une unité de surface chauffée, n'installez aucun meuble de rangement au-dessus de la cuisinière. Si un meuble de rangement est prévu au-dessus de la cuisinière, le risque peut être réduit en installant une hotte de cuisine qui dépasse horizontalement d'au moins 12,7 cm (5") le bas du meuble.



Suivez les instructions selon le type d'installation que vous avez.

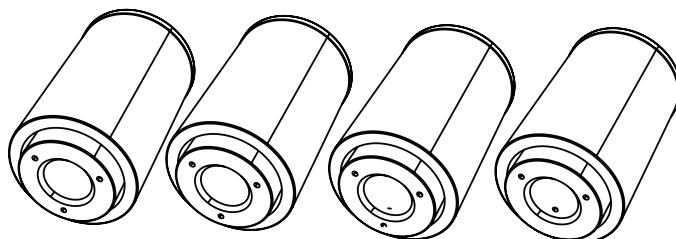
Figure 3: Construction des meubles

1.1 Installation: Meuble des deux côtés

1. Si la cuisinière est installée entre deux meubles, tracez une ligne centrale sur le sol entre ces derniers (figure 3).
2. Si l'arrière de la cuisinière n'affleure pas le mur (l'emplacement de la prise de courant ne permet pas de positionner la cuisinière contre le mur), tracez une ligne sur le sol à l'endroit où se trouvera le fond de la cuisinière.
3. Installez le dispositif anti-basculement (voir "Installation anti-basculement").

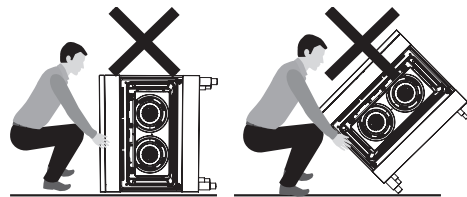
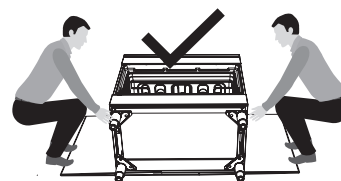
1.2 Installation des pieds vissés

Les appareils autoportants sont fournis avec quatre pieds vissés dans le paquet d'accessoires internes. Les pieds vissés peuvent être réglés en tournant la moitié inférieure dans le sens horaire ou antihoraire.



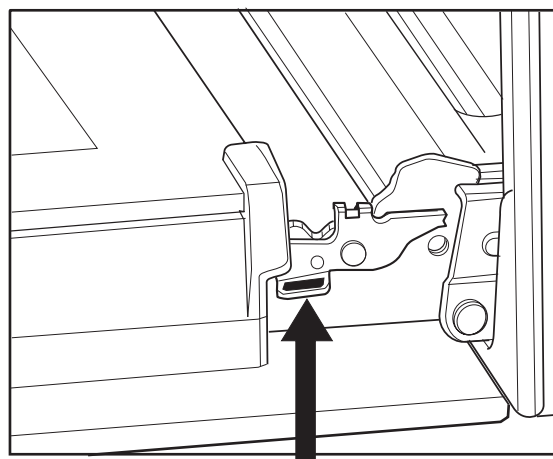
⚠ AVERTISSEMENT

Article lourd! Cette étape doit être effectuée par deux personnes.



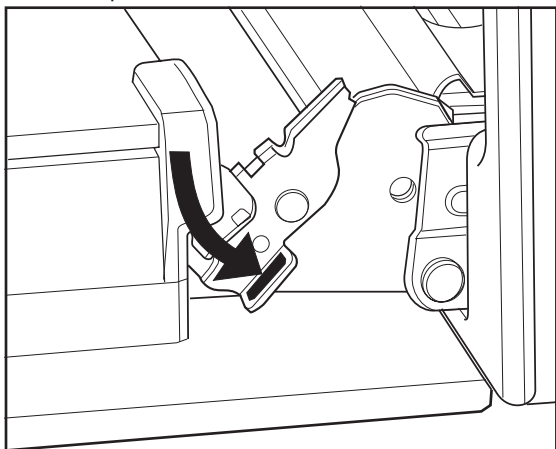
Remarque: Avant de commencer l'installation, vous DEVEZ retirer la porte du four.

1. Ouvrez complètement la porte du four, parallèlement au plancher.
2. Languette de verrouillage vers le haut en position normale.

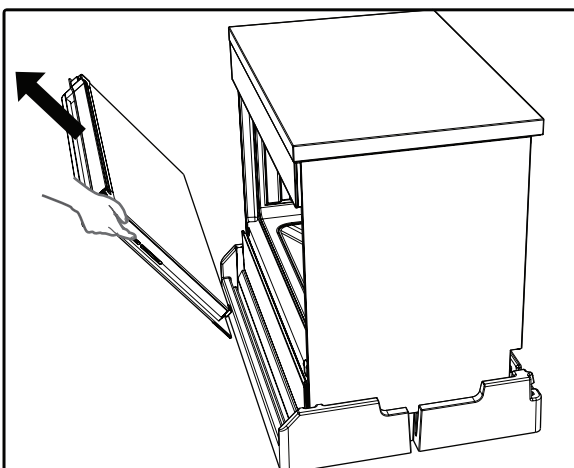


INSTRUCTIONS D'INSTALLATION - CUISINIÈRE À GAZ 36"

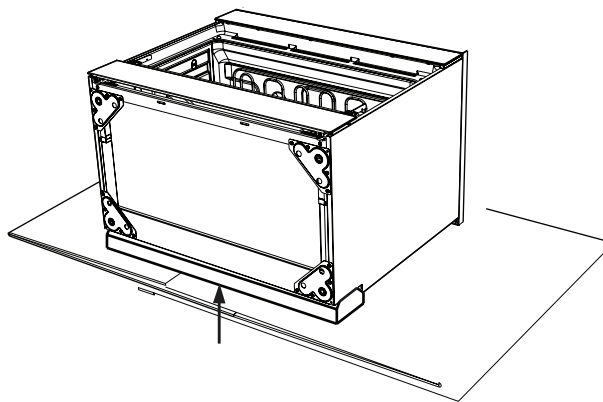
3. Appuyez sur la languette de verrouillage pour retirer la porte.



4. Fermez délicatement la porte jusqu'à ce qu'elle s'arrête. Soulevez ensuite la porte de la charnière.



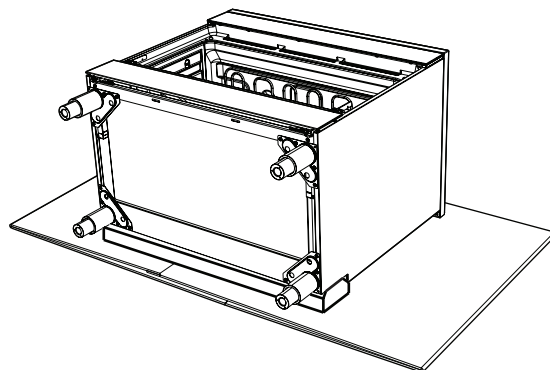
5. Inclinez et posez soigneusement l'appareil sur le dos pour accéder au point d'installation des pieds vissés.



⚠ PRÉCAUTION

Pour éviter d'égratigner le plancher et l'appareil lui-même, pliez le carton d'emballage et placez-le sous l'appareil comme protection.

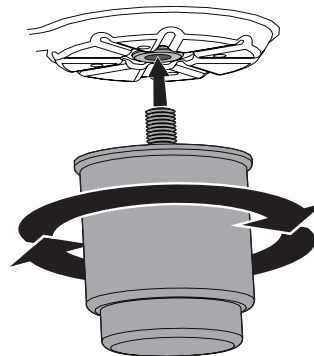
6. Installez les quatre pieds fournis dans les quatre points d'installation. Assurez-vous que chaque pied est bien fixé.



⚠ PRÉCAUTION

Ne serrez pas trop le pied.

7. Ajustez la hauteur des pieds vissés de manière à ce que la surface de la table de cuisson soit au-dessus du banc lorsque l'appareil est en position verticale.



INSTRUCTIONS D'INSTALLATION - CUISINIÈRE À GAZ 36"

2 Exigences électriques

⚠ AVERTISSEMENT

Risque de choc électrique - Une mise à la terre électrique est requise sur cet appareil. Des connexions et une mise à la terre incorrectes peuvent entraîner des chocs électriques, des dommages à l'appareil, des blessures, des incendies ou la mort.

2.1 Exigences de mise à la terre

Cet appareil doit être installé et mis à la terre par un technicien qualifié.

Aux États-Unis, installez conformément au Code national du gaz combustible ANSI Z223.1/NPFA No. 54, la dernière édition et le Code national de l'électricité NFPA No. 70, la dernière édition, et aux exigences du Code local de l'électricité. Au Canada, installez conformément aux normes CAN/CGA B149.1 et CAN/CGA B149.2 et à la norme CSA C22.1, Code canadien de l'électricité, partie 1 - dernières éditions et exigences du Code local de l'électricité.

Cet appareil nécessite un circuit de dérivation dédié, correctement mis à la terre et polarisé, protégé par un disjoncteur de 15 ampères ou un fusible temporisé. Consultez la plaque signalétique pour connaître la tension appropriée.

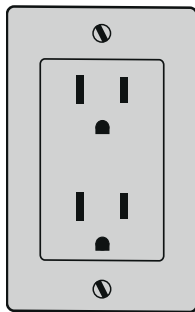


Figure 4: Prise électrique triphasée

Pour des raisons de sécurité personnelle, cet appareil doit être correctement mis à la terre. Pour une sécurité maximale, le cordon d'alimentation doit être branché sur une prise électrique de tension correcte, correctement polarisée et mise à la terre conformément aux codes locaux. Il incombe au consommateur de faire installer par un électricien qualifié la prise murale appropriée et correctement mise à la terre.

Assurez-vous que la prise murale se trouve à proximité de l'emplacement final de l'appareil.

Ne pincez pas le cordon d'alimentation entre la cuisinière et le mur.

Emplacements recommandés pour l'installation des prises murales

L'emplacement suggéré de la prise murale est illustré dans la figure 5. La prise peut également être située dans le coin inférieur gauche du meuble droit adjacent, comme le montre la figure 6.

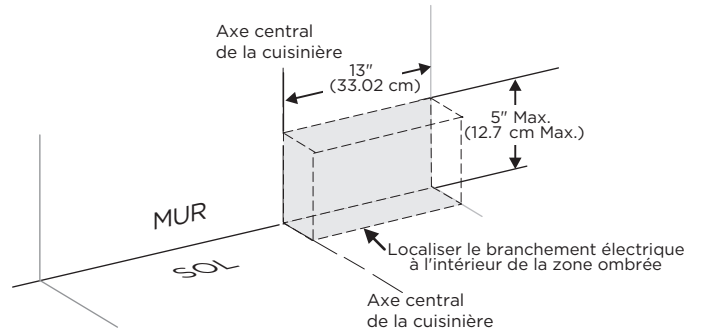


Figure 5: Emplacement de la prise

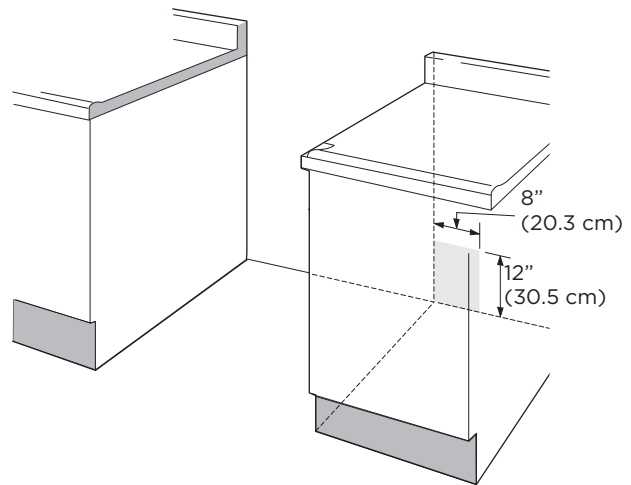


Figure 6: Emplacement de la prise du meuble adjacent

INSTRUCTIONS D'INSTALLATION - CUISINIÈRE À GAZ 36"

3 Cordon d'alimentation

⚠ AVERTISSEMENT

Risque de choc électrique – N'essayez pas d'installer l'appareil directement sur un boîtier de dérivation. Si la prise murale n'est pas suffisante pour répondre aux exigences de cet appareil, il incombe au client de faire installer la prise appropriée par un électricien. Une installation et des connexions électriques incorrectes peuvent entraîner une électrocution, des dommages à l'appareil, des blessures, un incendie ou la mort.

Cet appareil est équipé d'une fiche à trois broches (mise à la terre) pour votre protection contre les risques d'électrocution et elle doit être branchée directement dans une prise correctement mise à la terre. Ne coupez ou ne retirez pas la broche de mise à la terre de cette fiche.

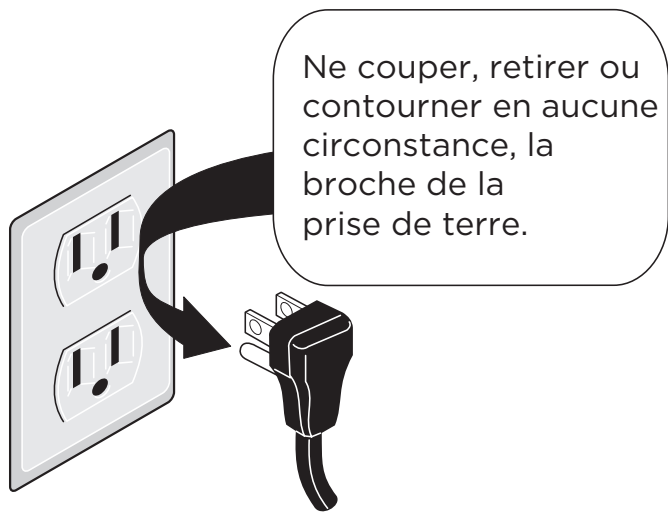


Figure 7: Cordon d'alimentation raccordé en usine

Pour des raisons de sécurité personnelle, l'appareil doit être correctement mis à la terre. Pour une sécurité maximale, le cordon d'alimentation doit être branché dans une prise électrique correctement polarisée et correctement mise à la terre.

Si une prise murale à deux broches est la seule prise disponible, il incombe au consommateur de la remplacer par une prise murale à 3 broches correctement mise à la terre, installée par un technicien qualifié.

4 Exigences en matière d'alimentation en combustible

Cet appareil est conçu pour fonctionner avec une pression de colonne d'eau de 10 cm (4") (1 kPa) au niveau du collecteur de gaz naturel.

Un régulateur de pression convertible est fourni avec l'appareil. Il doit être raccordé en série à la conduite d'alimentation en gaz, conformément aux instructions de la section 4.1. L'emplacement prévu pour le régulateur est indiqué en figure 8.

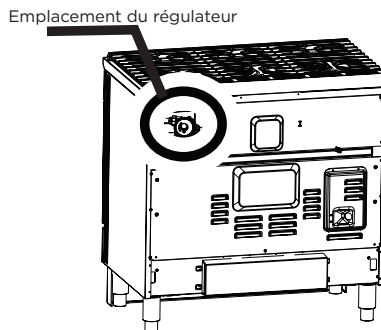


Figure 8: Emplacement du régulateur

Pour un bon fonctionnement, la pression maximale à l'entrée du régulateur ne doit pas dépasser 35.56 cm (14") de colonne d'eau (3.5 kPa).

La pression d'entrée du régulateur doit être supérieure d'au moins 0.25 kPa (1") au réglage de pression du collecteur du régulateur. Le régulateur est réglé pour une pression de collecteur de gaz naturel de 10 cm (4") de colonne d'eau (1 kPa); la pression d'entrée doit être d'au moins 12.5 cm (5") de colonne d'eau (1.25 kPa) de gaz naturel.

Pour un fonctionnement à 2000 pi au-dessus du niveau de la mer, la puissance de l'appareil est réduite de 4% pour chaque tranche de 1000 pieds.

4.1 Installation du régulateur

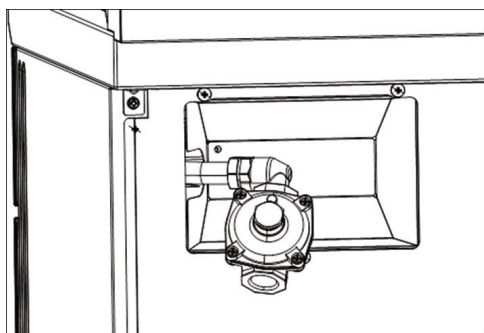
Il existe deux types d'installation pour les régulateurs. Veuillez consulter le kit de montage du régulateur fourni avec l'appareil pour déterminer quelle installation s'applique à votre cuisinière.

INSTRUCTIONS D'INSTALLATION - CUISINIÈRE À GAZ 36"

Installation à l'aide d'un coude en laiton

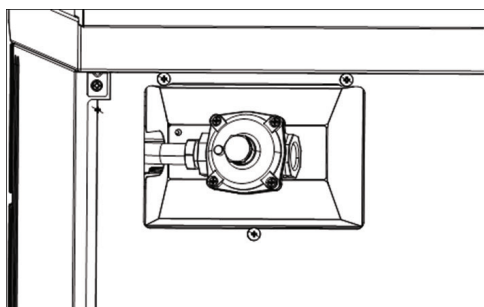
Si un coude en laiton est fourni dans le kit, cette installation s'applique à votre cuisinière.

1. Appliquez le mastic d'étanchéité (non fourni) sur l'extrémité fileté de l'entrée de la rampe de gaz, puis fixez le coude en laiton sur la rampe de gaz en tournant l'écrou hexagonal à l'aide d'une clé à molette.
2. Appliquez le mastic d'étanchéité (non fourni) sur l'autre extrémité du coude en laiton. Fixez le régulateur en tournant l'écrou hexagonal sur celui-ci à l'aide d'une clé. Utilisez l'écrou hexagonal du coude en laiton pour maintenir la rampe de gaz lorsque vous serrez l'écrou hexagonal sur le régulateur.
3. Assurez-vous que les raccords sont étanches. Ne serrez pas trop.



Installation sans coude en laiton

1. Si le kit ne comprend pas de coude en laiton, cette installation s'applique à votre cuisinière.
2. Appliquez le mastic d'étanchéité (non fourni) sur l'extrémité fileté de l'entrée de la rampe de gaz, puis fixez le régulateur et serrez l'écrou hexagonal à l'aide d'une clé à molette. L'écrou hexagonal sur l'entrée de la rampe de gaz est soudé et ne tourne pas. Utilisez-le pour maintenir la rampe à l'aide d'une clé tout en serrant l'écrou hexagonal sur le régulateur.
3. Assurez-vous que les raccords sont étanches. Ne serrez pas trop.



4.2 Emplacement de l'alimentation en gaz

La conduite d'alimentation en gaz peut traverser la paroi latérale du meuble de droite. Le meuble de droite est l'emplacement idéal pour le robinet d'arrêt principal, si la cuisinière est installée dans l'espace de rangement du meuble.

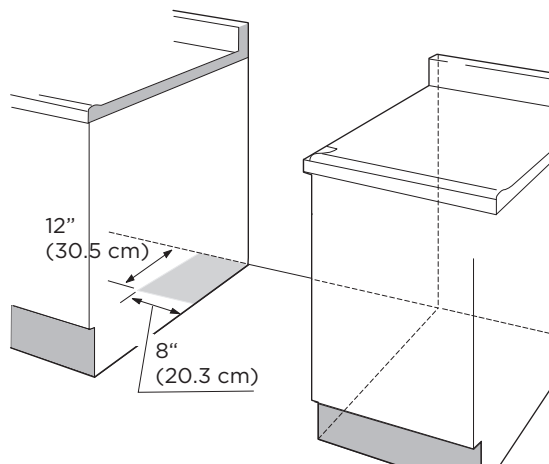


Figure 9: Emplacement recommandé de l'alimentation en gaz

4.3 Soupape d'arrêt

La conduite d'alimentation doit être munie d'une soupape d'arrêt conforme, comme illustré en figure 10. Cette soupape doit être située dans la même pièce que la cuisinière et facilement accessible. Ne bloquez pas l'accès à la soupape d'arrêt du gaz. La soupape sert à ouvrir ou fermer l'alimentation en gaz de l'appareil.

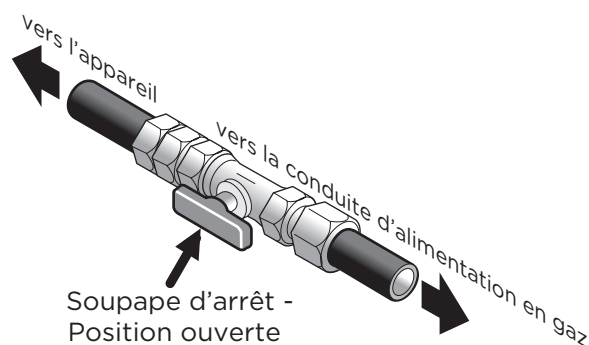


Figure 10: Soupape d'arrêt

L'alimentation en gaz entre la soupape d'arrêt et le régulateur peut être raccordée par une tuyauterie rigide ou par une tuyauterie métallique flexible approuvée par l'A.G.A./C.G.A lorsque la réglementation locale le permet.

L'utilisateur doit connaître l'emplacement de la soupape d'arrêt principale et pouvoir y accéder facilement.

INSTRUCTIONS D'INSTALLATION - CUISINIÈRE À GAZ 36"

4.4 Conversion au propane (GPL)

Veillez à fournir une alimentation en gaz suffisante.

⚠ WARNING

- Avant de procéder à la conversion, il convient de couper l'alimentation en gaz et de débrancher l'alimentation électrique de la cuisinière.
- Un test d'étanchéité au gaz doit être effectué après la conversion au gaz.

Cet appareil est livré par l'usine pour fonctionner au gaz naturel. Utilisez ce kit pour convertir l'appareil au gaz propane, si nécessaire. Respectez les consignes suivantes:

- Avant d'utiliser la cuisinière, assurez-vous qu'elle a été convertie pour fonctionner avec le gaz approprié.
- Cet appareil est conçu pour fonctionner à une pression de 10 po de colonne d'eau lorsqu'il est utilisé avec du propane.

Pour vérifier le bon fonctionnement du régulateur, la pression d'entrée doit être supérieure d'au moins 1" à la pression de fonctionnement (collecteur) ci-dessus. Lors de la conversion pour une utilisation au propane, la pression fournie au régulateur doit être comprise entre 11" et 13" de la colonne d'eau.

Le régulateur de pression situé à l'entrée du collecteur de la cuisinière doit rester sur la ligne d'alimentation.

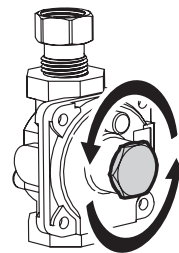
Utilisez un raccord métallique flexible ou un tuyau rigide pour raccorder la cuisinière à l'alimentation en gaz. Le raccord doit avoir un diamètre intérieur de 1/2" et une longueur d'au moins 1.5 m.

Exception: dans les installations du Massachusetts, la longueur maximale du raccord est de 0.9 m (3 pieds). Au Canada, le raccord doit être métallique à simple paroi et ne pas dépasser 1.8 m de long.

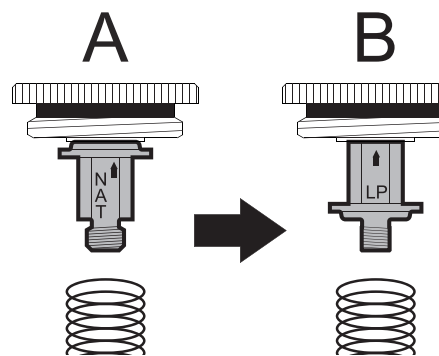
Conservez les buses retirées de l'appareil pour une utilisation ultérieure.

Réglage du régulateur de pression pour le propane

1. Dévissez le capuchon du régulateur.



2. Dévissez la tige en plastique du capuchon du régulateur. La configuration "A" est celle pour le gaz naturel.
3. Inversez la tige du régulateur en plastique pour obtenir la configuration "B" pour le propane et vissez-la fermement.



4. Revissez la tige et le capuchon du régulateur.

REMARQUE: Lors de la conversion pour une utilisation au propane, la pression fournie au régulateur doit être comprise entre 11" et 13" de colonne d'eau.

INSTRUCTIONS D'INSTALLATION - CUISINIÈRE À GAZ 36"

Remplacement des buses de brûleur de la table de cuisson

1. Retirez les grilles de la table de cuisson.
2. Retirez le capuchon, la tête et la coupelle du brûleur (pour le brûleur double) de la base du brûleur. Reportez-vous à la figure 12.
3. À l'aide d'une douille de taille appropriée, retirez la buse.
4. Installer les buses de GPL fournies dans le kit. Ne serrez pas trop. Reportez-vous au tableau ci-dessous pour connaître les numéros de référence des buses.

REMARQUE: Les brûleurs doubles (brûleur 4) possèdent deux buses, l'une au centre et l'autre en périphérie.

REMARQUE: Conservez les buses retirées de l'appareil pour une utilisation ultérieure.

Positionnement des brûleurs et des buses

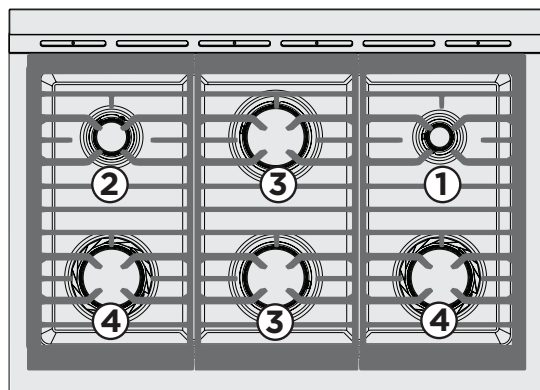


Tableau des buses de GPL (pression en pouce par colonne d'eau: 10")

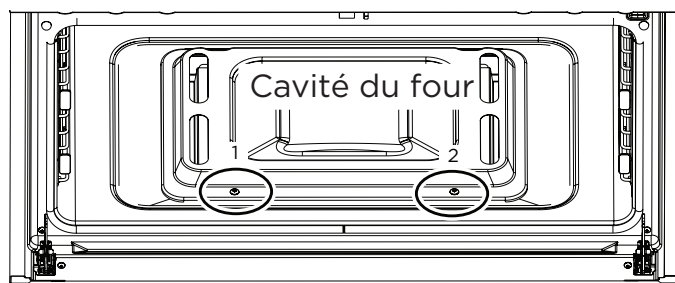
Numéro du brûleur	1	2	3	4
Numéro de buse centrale	66	81	118	109
Numéro de buse périphérique	-	-	-	40

Tableau des buses de gaz naturel (pression en pouce par colonne d'eau: 4")

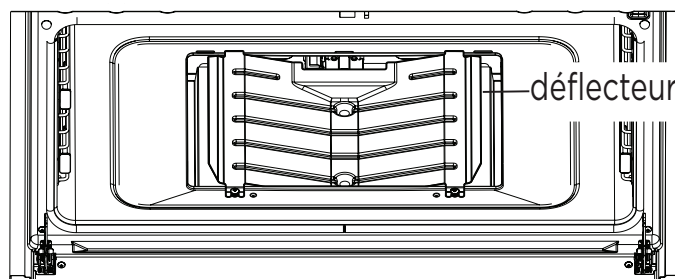
Numéro du brûleur	1	2	3	4
Numéro de buse centrale	107	146	195	198
Numéro de buse périphérique	-	-	-	55

4.5 Remplacer l'injecteur du brûleur de cuisson

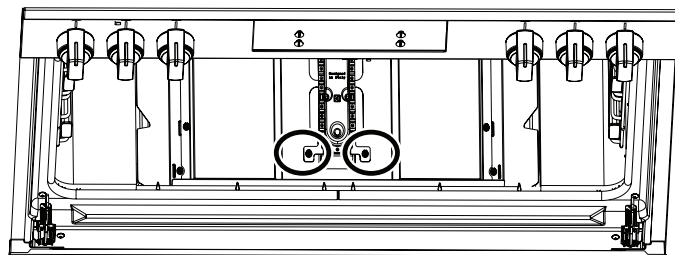
1. Retirez complètement la porte en suivant les instructions de la section 1.2. Cela vous facilitera l'accès à l'injecteur.
2. Retirez toutes les grilles du four. Ne retirez pas les glissières ou les grilles latérales.
3. Retirez les deux vis illustrées ci-dessous à l'aide d'un tournevis cruciforme, puis désengagez les trois languettes situées à l'arrière du couvercle du brûleur pour le retirer complètement.



4. Désengagez les deux languettes situées à l'arrière du déflecteur pour le retirer complètement.

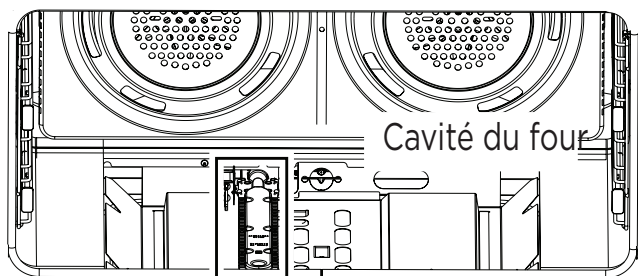


5. Retirez les deux vis fixant le brûleur au fond de la cavité à l'aide d'un tournevis cruciforme.

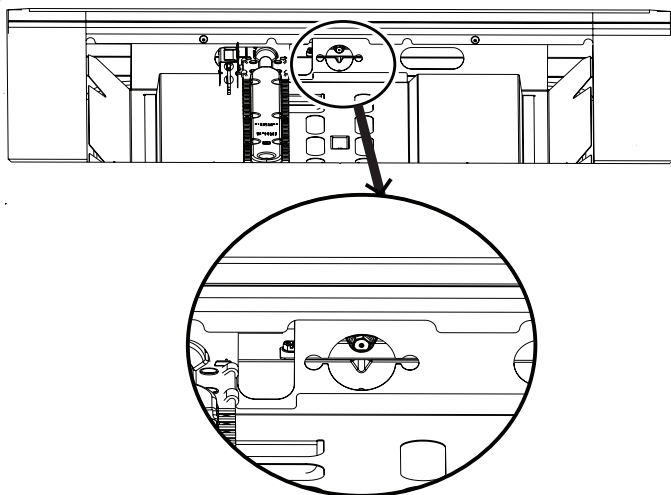


INSTRUCTIONS D'INSTALLATION - CUISINIÈRE À GAZ 36"

- Retirez doucement sur le brûleur pour le dégager de l'injecteur et faites-le glisser sur le côté. Assurez-vous de ne pas endommager l'allumeur qui est très fragile.



- À l'aide d'une clé à douille de 7 mm, dévissez l'injecteur et remplacez-le par l'injecteur marqué "107" du kit pour GPL. Conservez l'injecteur retiré pour une utilisation ultérieure.



- Remettez le brûleur dans sa position d'origine en l'enfonçant. Assurez-vous que les trous de vis sur le support du brûleur sont alignés avec les trous au fond de la cavité. Cela permettra de s'assurer que le brûleur et l'injecteur sont assemblés correctement. Fixez le brûleur au fond de la cavité à l'aide des vis à tête cruciforme.
- Remontez le déflecteur et le couvercle du brûleur à l'aide de la vis à tête cruciforme.
- Remplacez les grilles du four et remontez la porte du four.

5 Raccorder l'alimentation en combustible

5.1 Raccordement de l'alimentation en combustible

⚠ AVERTISSEMENT

Cet appareil doit être installé, mis à la terre et entretenu par un technicien ou un installateur qualifié.

⚠ PRÉCAUTION

Ne serrez pas trop les raccords. Le régulateur est moulé sous pression. Un serrage excessif peut fissurer le régulateur, entraînant une fuite de gaz et un incendie ou une explosion.

Cet appareil comporte un régulateur. La conduite d'alimentation en gaz nécessite les pièces suivantes qui ne sont pas fournies avec l'appareil:

- Soupape d'arrêt manuel
- Embouts filetés de 1/2" (3)
- Adaptateurs évasés de 1/2" (3)
- Raccord flexible

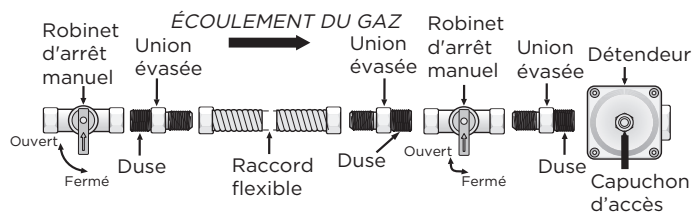


Figure 11: Raccordement de l'alimentation en combustible

La conduite d'alimentation en gaz vers la soupape d'arrêt doit être un tuyau solide de 1.27 cm (1/2") ou de 1.9 cm (3/4").

Le raccordement de l'embout fileté au régulateur de pression doit mesurer 1/2" (filetage NPT 14).

Reliez la conduite d'alimentation en gaz au régulateur de pression dans l'ordre indiqué en figure 11. Tous les raccords doivent être serrés à la clé.

En cas d'utilisation d'un conduit de gaz flexible sur la cuisinière, laissez suffisamment de jeu pour pouvoir sortir celle-ci de l'ouverture lors de son nettoyage ou son entretien.

Assurez l'étanchéité de tous les raccords à l'aide d'un mastic d'étanchéité conçu pour les conduites de gaz naturel et de GPL. Si des raccords flexibles sont utilisés, assurez-vous qu'ils ne sont pas pliés.

Ne laissez pas le conduit flexible se coincer entre le mur et la cuisinière.

INSTRUCTIONS D'INSTALLATION - CUISINIÈRE À GAZ 36"

5.2 Vérifiez la présence de fuites

⚠ AVERTISSEMENT

N'utilisez pas de flamme pour vérifier la présence de fuites au niveau des raccords de gaz. Vérifier la présence de fuites avec une flamme peut provoquer un incendie ou une explosion.

Après avoir raccordé la cuisinière à l'alimentation en gaz, vérifiez l'étanchéité du système à l'aide d'un manomètre. En l'absence de manomètre, ouvrez l'alimentation en gaz et utilisez un détecteur de fuites liquide (ou de l'eau savonneuse) au niveau de tous les joints et raccords pour vérifier l'absence de fuites. Les fuites sont signalées par l'apparition de bulles au niveau des raccords ou des joints.

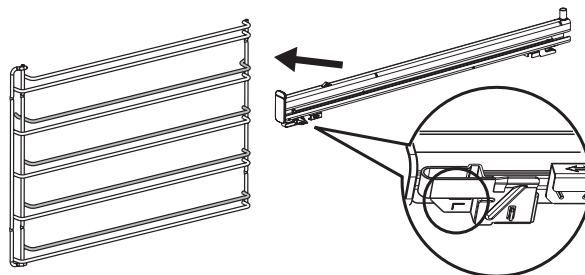
Toutes les ouvertures dans le mur ou le sol où la cuisinière doit être installée doivent être étanches.

1. Serrez tous les raccords si nécessaire pour éviter les fuites de gaz dans la table de cuisson ou la conduite d'alimentation.
2. Débranchez la cuisinière et sa soupape d'arrêt individuelle du système d'alimentation en gaz pendant tout test de pression en cas de pressions d'essai supérieures à 3.5 kPa (35.56 cm/14") dans la colonne d'eau (environ 1/2 psig).
3. Isolez la cuisinière du système d'alimentation en gaz en fermant sa soupape d'arrêt manuel pendant tout test de pression du système en cas de pressions d'essai inférieures ou égales 3.5 kPa (35.56cm/14") dans la colonne d'eau (environ 1/2 psig).

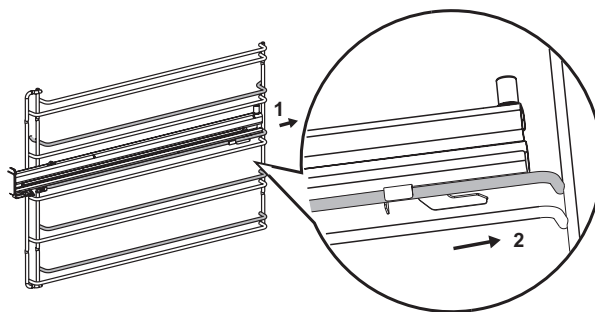
6 Installation de la grille du four

6.1 Installation de la grille à glissière

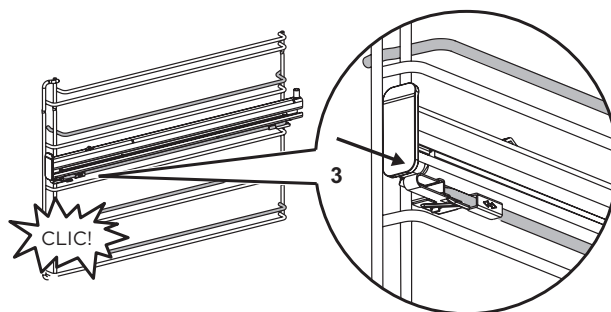
1. Procurez-vous le support de gauche et la glissière de gauche (voir l'image).



2. Les câbles grisés indiquent ceux sur lesquels la glissière peut être montée. Fixez les pinces de la glissière à l'arrière du câble en les inclinant comme indiqué ci-dessous.



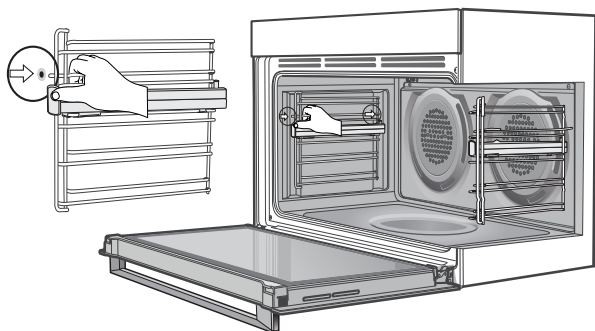
3. Poussez la pince avant coulissante sur le câble jusqu'à ce qu'elle soit bien fixée.



INSTRUCTIONS D'INSTALLATION - CUISINIÈRE À GAZ 36"

6.2 Installation des grilles latérales

1. Insérez la cheville arrière dans le trou d'accès prévu à cet effet, en veillant à ce qu'elle soit complètement insérée.
2. Placez ensuite la cheville dans le trou d'accès avant et enfoncez-la fermement.

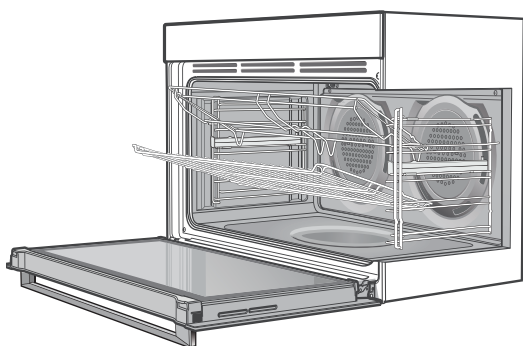


6.3 Installation des grilles du four entre les câbles des grilles latérales

Les grilles du four sont conçues pour avoir une extension maximale, sans qu'on puisse les retirer accidentellement.

Pour installer les grilles du four sur les grilles latérales:

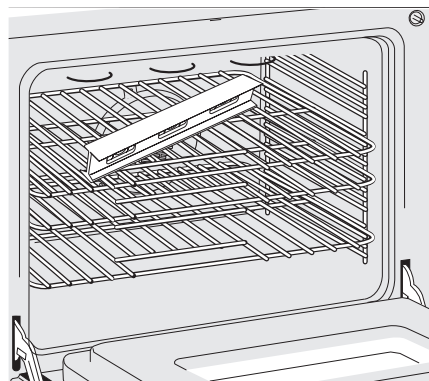
1. Placez le bord arrière de la grille du four entre les rails de guidage de la grille latérale (voir le schéma)
2. Assurez-vous que les rails des deux côtés du four soient insérés. Le bord avant surélevé, commencez à faire glisser la grille dans le four.
3. Une fois que les crans ont passé le bord avant de la grille latérale, la grille du four peut être enfoncée complètement. Lorsqu'elles sont en place, les grilles du four ne doivent pas gêner la porte du four fermée.



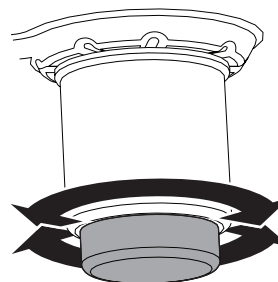
7 Mettre à niveau la cuisinière

Mettez la cuisinière à niveau et réglez la hauteur de la table de cuisson avant l'installation.

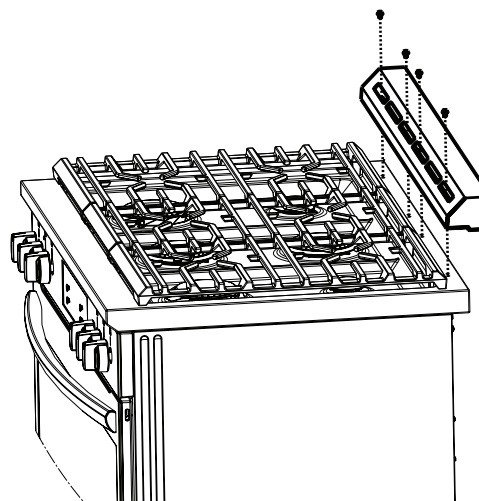
1. Placez la grille au centre du four.
2. Placez un niveau sur la grille, comme indiqué sur la figure ci-dessous. Effectuez deux relevés en plaçant le niveau en diagonale dans un sens, puis dans l'autre.



3. Vissez ou dévissez la partie inférieure du pied jusqu'à ce que l'appareil soit stable et à niveau sur le sol.



Installation de la garniture d'évent



Fixez la garniture d'évent à l'arrière de la plaque de cuisson avec les quatre vis fournies.

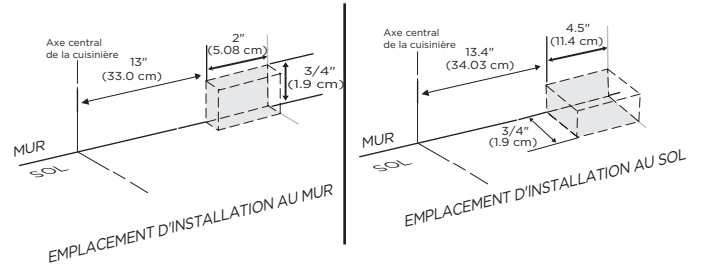
INSTRUCTIONS D'INSTALLATION - CUISINIÈRE À GAZ 36"

8 Installation du dispositif anti-basculement

⚠ AVERTISSEMENT

Pour réduire le risque de basculement de l'appareil, celui-ci doit être fixé au sol ou au mur à l'aide de la chaîne, du crochet et de la vis anti-basculement correctement installés et fournis avec la cuisinière. Ces pièces se trouvent dans le four. En l'absence de ce dispositif, la cuisinière peut basculer si un poids excessif est placé sur la porte ouverte du four ou si un enfant grimpe dessus. Des blessures graves peuvent être causées par des liquides chauds renversés ou par la cuisinière elle-même.

Si la cuisinière est déplacée, le dispositif anti-basculement doit également être déplacé et installé avec cette dernière.



3. Poussez délicatement l'appareil dans l'armoire contre le mur. Atteignez la chaîne à partir de l'ouverture entre les pattes avant et attachez la chaîne au crochet. Tirez un peu pour vous assurer qu'il est bien enclenché.
4. Finissez de visser le crochet jusqu'à ce qu'il y ait peu ou pas de mou dans la chaîne. Le crochet doit être orienté vers le haut (installation murale) ou face au mur arrière (installation au sol) dans la position finale pour assurer le verrouillage optimal de la chaîne.

8.1 Installation de la chaîne anti-basculement et du crochet

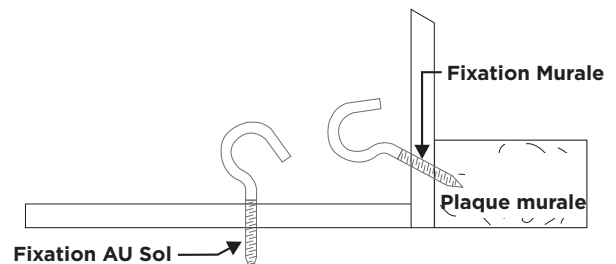
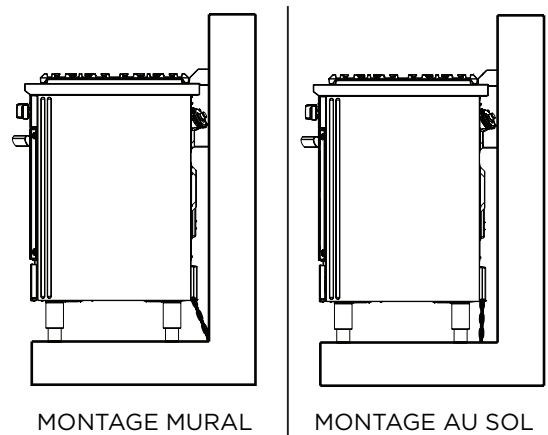
Pour assurer la stabilité de la cuisinière, la chaîne anti-basculement et le crochet doivent être fixés sur un sous-plancher en bois ou une plaque en bois au mur.

Il convient de suivre les étapes suivantes pour assurer la bonne installation de la chaîne anti-basculement et du crochet afin de garantir la stabilité des appareils.

⚠ CAUTION

Il n'est pas recommandé de pousser ou de tirer l'appareil sur une surface inégale ou rugueuse. Utilisez d'autres moyens pour manipuler l'appareil si nécessaire.

1. Localisez le crochet fourni dans le kit de documentation nécessaire à l'installation de l'anti-basculement.
2. Vous pouvez choisir la plaque de base murale ou le sol pour installer le crochet. Utilisez l'image ci-dessous appropriée en fonction du type d'installation que vous choisissez pour sélectionner l'emplacement du crochet. Percez le trou pilote de 1/16" de diamètre (recommandé) à 45 degrés pour le montage mural et à 90 degrés pour l'installation du crochet de montage au sol à l'emplacement choisi. Vissez le crochet dans le trou mais ne le vissez pas à fond. Les fils restants peuvent être utilisés pour régler la tension de la chaîne.



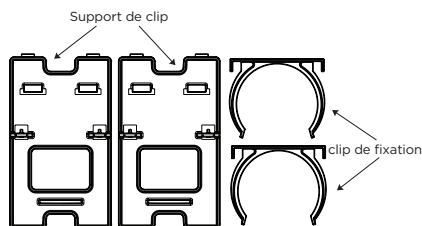
⚠ AVERTISSEMENT

- Utilisez les attaches fournies avec la cuisinière pour installer la chaîne anti-basculement.
- L'unité autoportante doit être poussée contre le mur lors de l'installation. Sur les unités à gaz, vérifiez que le tuyau de gaz (s'il est utilisé) n'a pas été plié pendant l'installation.

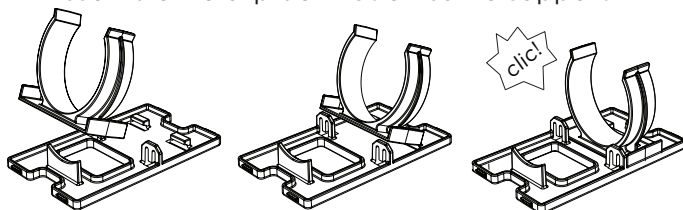
8.2 Installation des plinthes

La cuisinière est fournie avec un panneau à clipser et une plinthe qui peuvent être clipsés sur les pieds avant afin d'obtenir un aspect de cuisine plus intégré et plus homogène.

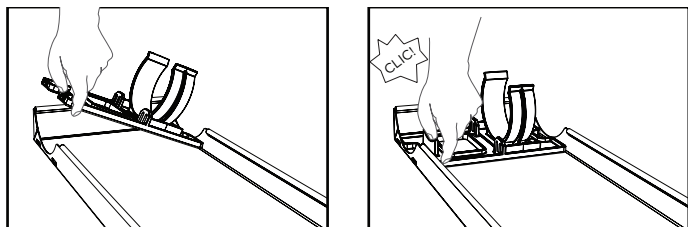
Remarque: Un minimum de 36" de hauteur d'installation de la surface de cuisson est requis pour faciliter l'installation de la plinthe. Réf dimension "D" à la page 46 pour la mesure de la hauteur de la surface de cuisson.



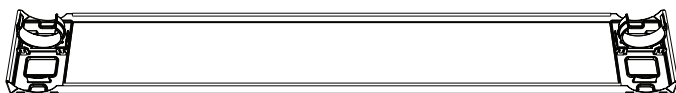
1. Assemblez le clip de fixation sur le support.



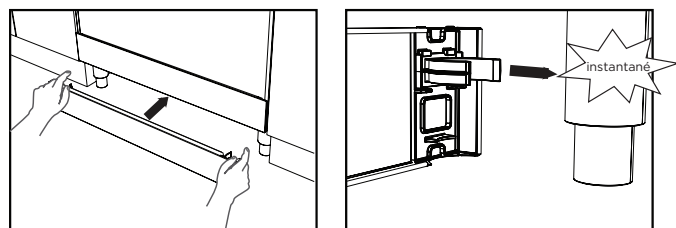
2. Enfoncez les deux modules clipsés dans le panneau d'appui en respectant l'orientation indiquée ci-dessous.



3. Assurez-vous que les deux modules clipsés sont dans la même orientation après l'installation.



4. Fixez le panneau de protection sur les pieds avant de l'appareil. Veillez à ce que le panneau d'appui s'enclenche dans la partie la plus large des pieds avant.



9 Installation de l'assemblage du brûleur

⚠ PRÉCAUTION

Pour éviter les flambées, veillez à ce que les capuchons de brûleur soient correctement installés sur la table de cuisson.

Remarque: Retirez tout le matériel d'emballage de la surface de cuisson avant d'installer les brûleurs.

9.1 Brûleur double

Le brûleur double s'adapte à l'avant droit et à l'avant gauche de la table de cuisson. Il est composé de trois pièces et fonctionne avec deux buses à sa base.

Installation du double brûleur

1. Positionnez correctement la coupelle du brûleur sur la base de celui-ci. Veillez à ce que la buse périphérique soit alignée sur le trou de la coupelle du brûleur et que les trois nervures de la coupelle du brûleur s'insèrent dans les rainures prévues à cet effet sur la base du brûleur.
2. Une fois la tête du brûleur centrée sur la coupelle du brûleur, insérez la partie allongée de la tête du brûleur dans les fentes prévues de la coupelle du brûleur. Veillez à ce que la marque sur la tête soit orientée vers l'allumeur.
3. Placez le capuchon du brûleur sur la tête du brûleur. Assurez-vous que chaque capuchon de brûleur est correctement aligné et à niveau.

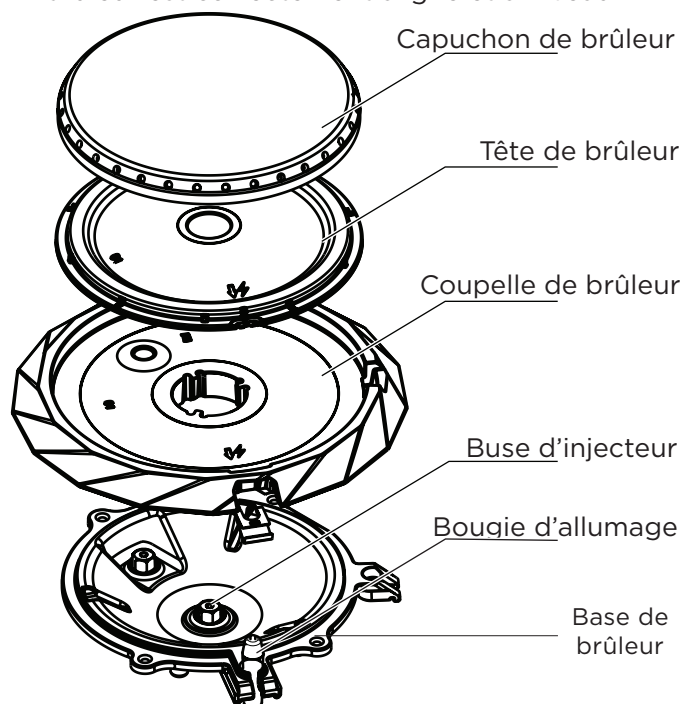


Figure 12: Brûleur double

INSTRUCTIONS D'INSTALLATION - CUISINIÈRE À GAZ 36"

Une fois le capuchon de brûleur en place, vous pouvez vérifier l'ajustement en le faisant glisser doucement d'un côté à l'autre (figure 13) pour vous assurer qu'il est bien centré et en place. Lorsque la lèvre du capuchon du brûleur entre en contact à l'intérieur du centre de la tête du brûleur, vous pourrez entendre le clic du capuchon du brûleur.

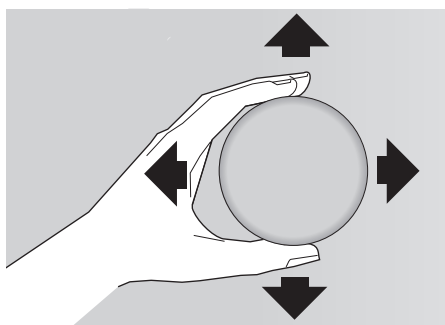


Figure 13: Déplacez doucement le capuchon pour un placement adéquat.

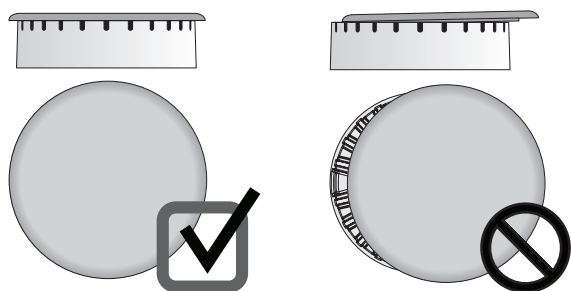


Figure 14: Positionnement du capuchon de brûleur

Remarque: Déballez les grilles du brûleur et placez-les sur la table de cuisson une fois que les têtes et les capuchons du brûleur sont correctement installés.

9.2 Brûleur unique

Tous les autres brûleurs de la table de cuisson sont des brûleurs simples. Il est composé de deux pièces et fonctionne avec une seule buse.

Installation du brûleur simple

1. Alignez la flèche de la tête du brûleur sur l'allumeur et placez la tête de celui-ci sur la base de manière à ce que les nervures de la tête s'insèrent dans les rainures de la base.
2. Placez le capuchon du brûleur sur la tête du brûleur. Assurez-vous que le capuchon est centré et qu'il s'ajuste parfaitement à la tête.

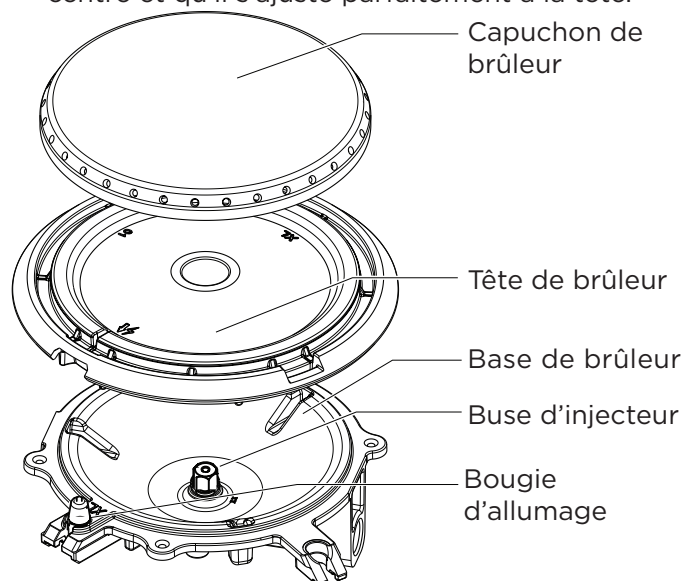


Figure 15: Brûleur unique

9.3 Vérifier l'allumage des brûleurs de surface

Le fonctionnement des allumeurs électriques doit être vérifié une fois que les raccords de la cuisinière et de la ligne d'alimentation ont été soigneusement contrôlés pour s'assurer qu'il n'y a pas de fuite et que la cuisinière est reliée à l'alimentation électrique.

1. Enfoncez et tournez le bouton d'un brûleur de surface en position LITE "🔥" (allumé). Tous les allumeurs électroniques de surface émettent une étincelle en même temps. Seul le brûleur que vous allumez s'enflammera.
2. Le brûleur de surface doit s'allumer une fois que le flux de gaz l'a atteint. Chaque brûleur doit s'allumer dans les quatre (4) secondes en fonctionnement normal après que l'air ait été purgé des conduites d'alimentation. Vérifiez visuellement que le brûleur est allumé.
3. Une fois le brûleur allumé, le bouton de commande doit être tourné hors de la position LITE "🔥" (allumé).

Allumez chacun des brûleurs de surface pour vérifier qu'ils s'allument correctement et que les flammes sont régulières. Ajustez les paramètres si besoin.

9.4 Ajuster le réglage BAS sur les brûleurs de surface

Pour ajuster le réglage BAS sur les brûleurs de surface:

1. Enfoncez et tournez la commande en position LITE "🔥" (allumé) jusqu'à ce que le brûleur s'allume.
2. Tournez rapidement le bouton à la position la plus basse.
3. Si le brûleur s'éteint, réinitialiser la commande sur OFF.
4. Retirer le bouton de commande du brûleur et l'anneau décoratif.
5. Insérez un tournevis à lame mince dans la tige de la soupape creuse et engagez la vis à fente à l'intérieur. La taille de la flamme peut être augmentée ou diminuée en tournant la vis.
6. Réglez la flamme jusqu'à ce que vous puissiez tourner rapidement le bouton de la position d'allumage à la position de flamme la plus basse sans éteindre cette dernière. La flamme doit être aussi petite que possible sans s'éteindre.

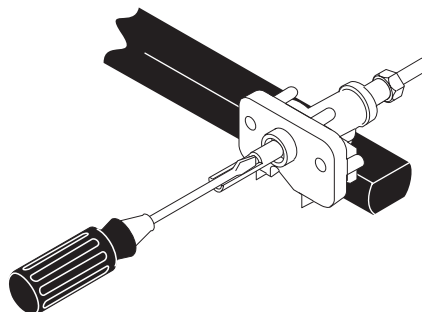


Figure 16: Tournez pour ajuster la flamme de surface

REMARQUES:

- Aucun réglage du mélange d'air n'est requis sur les brûleurs de surface.
- Certains modèles possèdent deux flammes sur chaque brûleur. La flamme centrale de ces brûleurs n'est pas réglable.

INSTRUCTIONS D'INSTALLATION - CUISINIÈRE À GAZ 36"

10 Vérifier le fonctionnement du four

Reportez-vous au guide d'utilisation et d'entretien fourni avec la cuisinière pour connaître les instructions d'utilisation, d'entretien et de nettoyage de votre cuisinière.

Retirez tout l'emballage du four avant de le tester.

Le four est doté de commandes électroniques. Chacune des fonctions a été vérifiée en usine avant l'expédition. Cependant, il est suggéré de vérifier à nouveau le fonctionnement des commandes électroniques du four. Pour en savoir plus sur le fonctionnement, consultez le Guide d'utilisation et d'entretien. Suivez les instructions pour les fonctions Horloge, Minuterie, Cuisson, Grill, Convection et Nettoyage.

Cuisson - Une fois le four réglé à 177°C (350°F) pour la cuisson, la sole de celui-ci doit devenir chaude.

Grill - Lorsque le four est réglé sur GRILL, la partie supérieure du four doit devenir rouge.

Nettoyage - Lorsque le four est réglé pour un cycle d'autonettoyage, la partie supérieure doit devenir rouge pendant le cycle de préchauffage. Après avoir atteint la température autonettoyante, la sole du four doit chauffer.

Convection - Lorsque le four est réglé sur CONV. CUISSON/RÔTISSAGE à 350°F (177°C), les deux éléments s'allument et s'éteignent alternativement, tandis que le ventilateur de convection se met en marche. Le ventilateur de convection s'éteint si la porte du four est ouverte pendant la cuisson ou le rôtiage par convection.

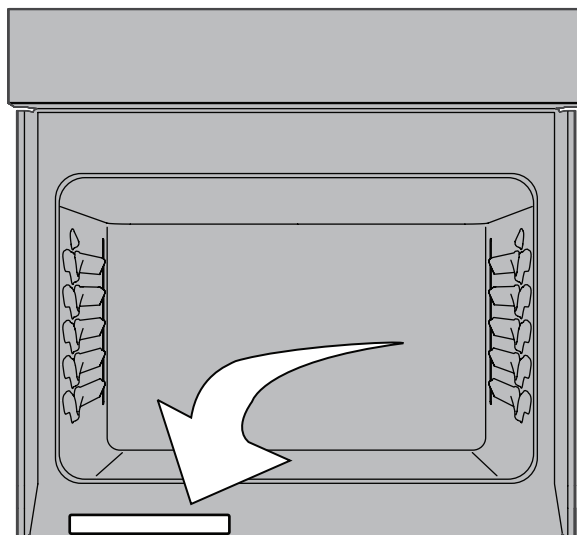
11 Après l'installation

Lorsque tous les raccordements sont terminés

Assurez-vous que toutes les commandes sont en position OFF.

Emplacement du numéro de modèle et de série

La plaque de série se situe à l'intérieur de la porte du tiroir de rangement, bien en évidence lorsque la porte est ouverte (figure 17). Lorsque vous commandez des pièces ou que vous vous renseignez sur votre cuisinière, munissez-vous des numéros de modèle et de série.



Emplacement du numéro de série

Figure 17: Emplacement du numéro de modèle/série

Avant d'appeler le service

Consultez la liste de vérification pour éviter les appels de service et les instructions d'utilisation dans votre guide d'utilisation et d'entretien. Cela peut vous faire économiser du temps et de l'argent. La liste comprend des situations courantes qui ne sont pas dues à des défauts de fabrication ou de matériel de cet appareil.

Pour connaître nos coordonnées, reportez-vous aux informations relatives à la garantie et au service après-vente figurant dans votre Guide d'utilisation et d'entretien. N'hésitez pas à nous appeler ou à nous écrire si vous avez des questions concernant votre cuisinière et/ou si vous avez besoin de commander des pièces détachées.