

Café™ Professional Series 30" Built-In Convection French-Door Double Wall Oven

CTD90FP4NW2 / CTD90FP3ND1 / CTD90FP2NS1

CAFÉ

DISTINCT BY DESIGN™



ALSO AVAILABLE IN



CTD90FP3ND1
Matte Black with Brushed Stainless handles



CTS90FP2NS1
Stainless Steel with Brushed Stainless handles



FEATURES & BENEFITS

Professional design brought to life - Bring unparalleled sophistication to your kitchen with a French-door wall oven that exudes professional style and allows you to personalize the look with customizable handles and finishes

French door design for more approachable access - Bake with ease thanks to the purposeful French-door design, which allows you to open both doors using a single hand, and easily place food inside

Precision is the name of your cooking game - Confidently try new recipes and perfectly execute your favorites, using a smart system that automatically tracks progress, modifies temperatures and adjusts cook times

Brighten up life in the kitchen - Easily navigate wall oven settings using a stunning full color display that adds an unexpected touch of style to your kitchen

The perfect bake is now perfectly easy - Achieve unrivaled performance with the only system that delivers top-down true convection for consistent results on special occasion favorites like roasts, chicken, turkey and more

No preheat, no hassle - Save time with a variety of precision cooking modes that eliminate the need for preheating

Fried taste. Crisp texture. Less oil. - Make your favorite "fried" foods healthy, thanks to a mode that crisps without using oil for frying

Create a look that matches your personal style - Select any combination of premium finishes and hardware options to create a stunning look customized to any owner's taste

Enjoy convenient temperature control from anywhere - Preheat while running errands or change oven temperatures while doing yard work with the Café Appliances Kitchen app

The oven rack that handles it all - Easily remove heavy dishes with a roller rack that is specially designed to glide smoothly and stay in the oven during the self-clean cycle, so you never have to handle cumbersome racks again

The perfect fit you've always dreamed of - When you're updating your kitchen, attention to detail is a priority. That's why Café wall ovens are guaranteed for an exact fit or Café Appliances will pay up to \$300 toward modifications.

APPEARANCE

| | |
|--------------|-----------------------------------|
| Handle | Café Pro Style Customizable |
| Installation | Above Warming Drawer Side-by-Side |

FEATURES

| | |
|---------------------------|---|
| Configuration | French Door |
| Cooking System | True European Convection with Direct Air (Both Ovens) |
| Oven Cleaning Type | Self-Clean with Delay Clean Option |
| Cleaning Time | Variable with Delay Clean Option |
| Oven Cooking Modes | Convection Bake Convection Bake Multi-Rack Convection Broil Hi/Lo Convection Roast Hot-Air Frying Precision Cooking Modes Proof Thermal Bake Thermal Broil Hi/Lo Warming |
| Self-Clean Oven Door Lock | Automatic |
| Control Type | 7" Full-Color Touch LCD Screen |
| Oven Features | 10-Pass Bake Element 10-Pass Dual Broil Element Closed Door Broiling |
| Oven Rack Features | 2 Never-Scrub Roller Racks (Upper Oven) 1 Never-Scrub Roller Rack, 1 Flat Rack (Lower Oven) 6 Embossed Rack Positions (Both Ovens) |
| Product Type | Wall Oven Double |
| Oven Control Features | 12-Hour Shut-Off Capability Audible Preheat Signal Auto Recipe Conversion Sabbath Mode Control Lock Capability Cook Time C° or F° Programmable Delay Time Electronic Clock & Kitchen Timer Mis-Wire Detection Remote Enabled Scan-to-cook Temperature Probe |
| WiFi Connect | Built-In |
| Connected Capabilities | Amazon Alexa Drop IFTTT Innit Nest The Google Assistant |
| Cooking Technology | Convection |
| Oven Interior | 2 Halogen Interior Oven Lights (Both Ovens) Black Gloss Finish Hidden Bake |

CAPACITY

| | |
|-----------------------------|-----------------------|
| Total Capacity (cubic feet) | 10.0 |
| Capacity (Cu. Ft.) | 5.0 Upper / 5.0 Lower |

POWER / RATINGS

| | |
|--------------------|-------|
| Amp Rating at 208V | 40 |
| Amp Rating at 240V | 40 |
| Bake Wattage | 2850W |
| Broiler Wattage | 4300W |
| Convection Wattage | 2400W |
| KW Rating at 208V | 6.8 |
| KW Rating at 240V | 9 |

WEIGHTS & DIMENSIONS

| | |
|-------------------------------------|---|
| Approximate Shipping Weight | 398 |
| Net Weight | 370 |
| Overall Height | 53 |
| Overall Width | 29-3/4 |
| Overall Depth | 26-3/4 |
| Cabinet Width | 30 |
| Cutout Dimensions (W x H x D) (in.) | 28-1/2 x 51-13/16 x 23-1/2 (With Pedestal Rails) 28-1/2 x 50-1/4 x 23-1/2 (Without Pedestal Rails) |
| Oven Interior Dimensions (lower) | 25 x 17-3/8 x 20-1/4 |
| Oven Interior Dimensions (upper) | 25 x 17-3/8 x 20-1/4 |

Café™ Professional Series 30" Built-In Convection French-Door Double Wall Oven

CAFÉ

DISTINCT BY DESIGN™

CTD90FP4NW2 / CTD90FP3ND1 / CTD90FP2NS1

OPTIONAL ACCESSORIES

| | |
|------------------------------------|------------|
| 30" Never-Scrub Roller Rack | UXWORXR30 |
| Large Broiler Pan | WB48X10056 |
| 72" Replacement Electrical Conduit | WB18T10580 |

WARRANTY

| | |
|----------------|---------------------------------------|
| Parts warranty | Limited 1-year entire appliance |
| Labor warranty | Limited 1-year entire appliance |
| Warranty notes | See written warranty for full details |

DIMENSIONS AND INSTALLATION INFORMATION (IN INCHES)

Most 30" Wall Cabinets can be used with this unit

Note: These ovens are not approved for stackable installations. Cabinets installed adjacent to wall ovens must have an adhesion spec of at least a 194°F temperature rating.

Door handle protrudes 2-1/2" from door face. Cabinets and drawers on adjacent 45° and 90° walls should be placed to avoid interference with the handle.

Electric wall ovens are not approved for installation with a plug and receptacle. They must be hard wired in accordance with installation instructions.

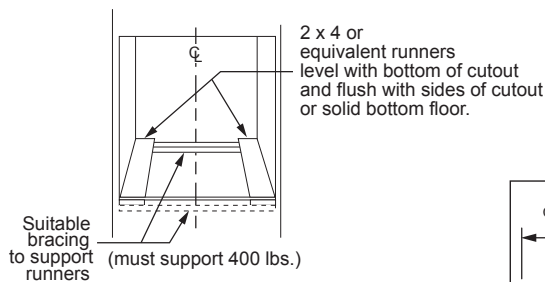
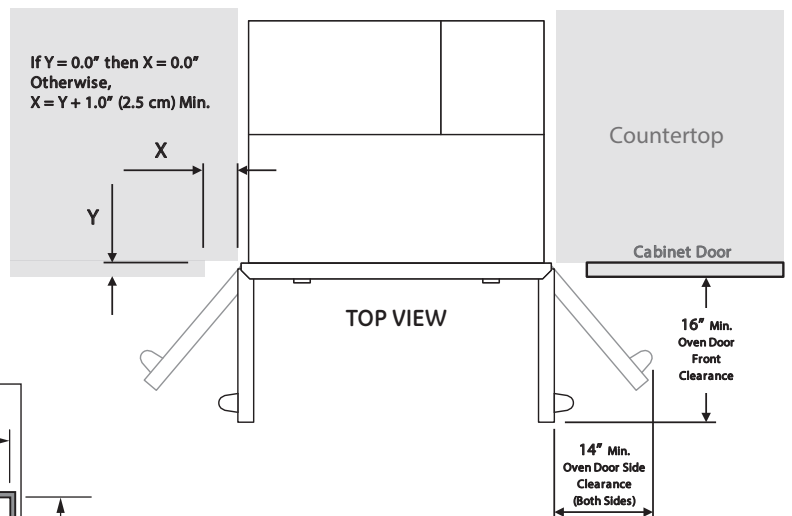
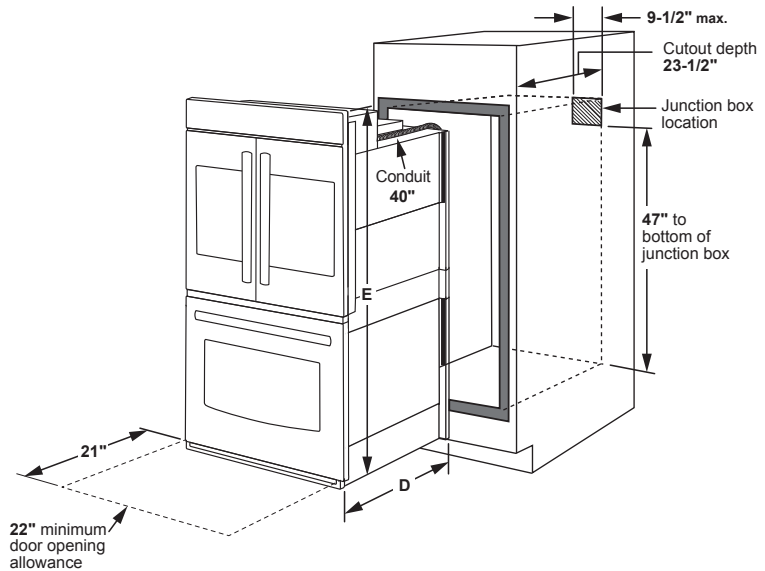
Installation Information:

Before installing, consult installation instructions packed with product for current dimensional data and for alternate installation options.

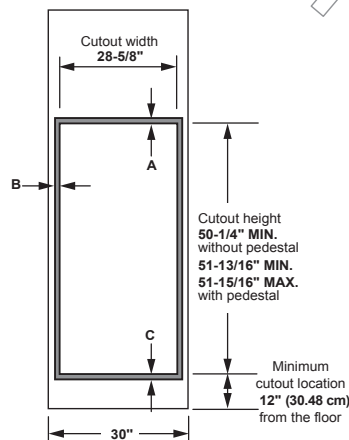
Note: A minimum gap of 14" from either side of the wall oven to an adjacent 45 or 90 cabinet, drawer or was is required to avoid interference with the opening of the doors. The handles protrude 2-1/2" from the door face.

Countertops may need to be notched on either side of the wall oven to avoid interference with the opening of the doors.

THIS MODEL IS NOT APPROVED FOR FLUSH-MOUNT INSTALLATION



| | |
|--|---------|
| Cabinet | 30" |
| A - Overlap of oven at top of cutout | 1-1/4" |
| B - Overlap of oven other side of edge of cutout | 3/4" |
| C - Overlap of oven at bottom of cutout | 1-1/4" |
| Oven | |
| D - Install depth | 23-1/2" |
| E - Overall height with trim | 53" |
| F - Overall width | 29-3/4" |



DIMENSIONS AND INSTALLATION INSTRUCTIONS ARE SHOWN IN INCHES

Café™ Professional Series 30" Built-In Convection French-Door Double Wall Oven

CTD90FP4NW2 / CTD90FP3ND1 / CTD90FP2NS1

CAFÉ

DISTINCT BY DESIGN™

DIMENSIONS AND INSTALLATION INFORMATION (IN INCHES)

Note: 30" Double electric wall ovens are approved for installation above 27" and 30" warming drawers.

Attention installer: Electric wall ovens are NOT approved for installation with a plug and receptacle. They must be hard wired into an approved junction box.

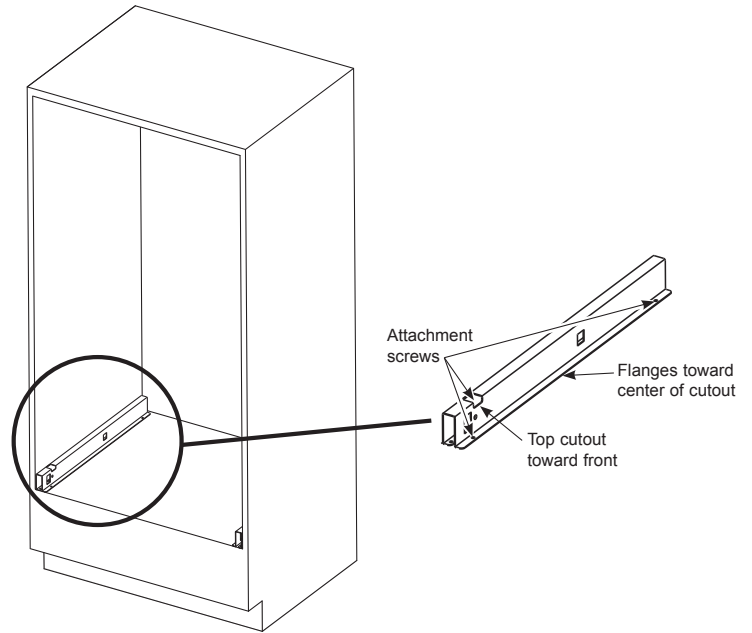
Important: Before installing, consult installation instructions packed with ALL products for current dimensional and combination data.

When to use the pedestal rails: When replacing an older GE Appliances 30" double wall oven with a new GE Appliances model. Cutout Height = 51-13/16" to 51-15/16". This is our traditional cutout height.

When not to use the pedestal rails:

When replacing a 30" double wall oven from another manufacturer (ie Whirlpool) with a new GE Appliances model. Cutout height = 50-1/4". You will need to verify that the existing cutout matches the 50-1/4" dimension.

If the new GE Appliances 30" double wall oven is being installed into new construction (ie not a replacement), then the recommended installation is to use the pedestal rails.



ADDITIONAL ACCESSORIES



CXWDFHKPMBZ
Brushed Bronze
3 handles
(standard on Matte White)



CXWDFHKPMSS
Brushed Stainless
3 handles
(standard on Matte Black)



CXWDFHKPMBT
Brushed Black
3 handles



CXWDFHKPMCU
Brushed Copper
3 handles



CXWDFHKPMCG
Brushed Brass
3 handles



CXWDFHKPMFB
Flat Black
3 handles