

# KitchenAid® 30" (76 cm) Freestanding Electric Range

## PRODUCT MODEL NUMBERS

KFED500E

### Electrical Connection:

- This range is manufactured with the neutral terminal connected to the cabinet. Use a 3-wire, UL listed, 40- or 50-amp power supply cord (pigtail) (see the following Range Rating chart). If local codes do not permit ground through the neutral, use a 4-wire power supply cord rated at 250 volts, 40- or 50-amps and investigated for use with ranges.

Range Rating*		Specified Rating of Power Supply Cord Kit and Circuit Protection
120/240 Volts	120/208 Volts	Amps
8.8 – 16.5 KW	7.8 – 12.5 KW	40 or 50**
16.6 – 22.5 KW	12.6 – 18.5 KW	50

\* The NEC calculated load is less than the total connected load listed on the model/serial/rating plate.

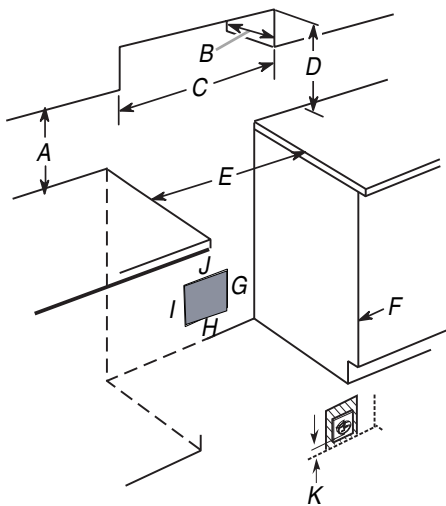
\*\* If connecting to a 50-amp circuit, use a 50-amp rated cord with kit. For 50-amp rated cord kits, use kits that specify use with a nominal 13/8" (39.9 mm) diameter connection opening.

- A circuit breaker is recommended.
- The range can be connected directly to the circuit breaker box (or fuse disconnect) through flexible or nonmetallic sheathed, copper or aluminum cable. See the "Electrical Connection – U.S.A. Only" section.

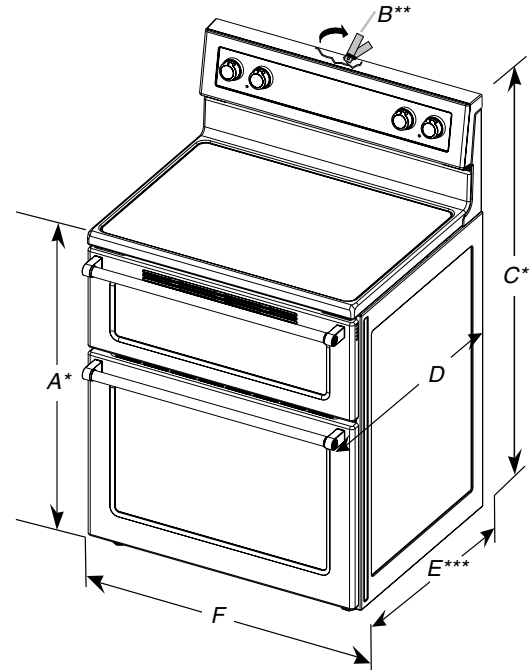
## CABINET OPENING DIMENSIONS

Cabinet opening dimensions shown are for:

- 25" (63.5 cm) countertop depth,
- 24" (61 cm) base cabinet depth,
- 36" (91.4 cm) countertop height



## PRODUCT DIMENSIONS



A.  $35\frac{3}{4}'' \pm \frac{1}{8}''$  (90.8 ± 0.3 cm) cooktop height (minimum) with leveling legs screwed all the way in\*

B. Model/serial/rating plates (located behind the control panel)\*\*

C.  $47\frac{3}{8}'' \pm \frac{1}{8}''$  (120.3 ± 0.3 cm) overall height (minimum) with leveling legs screwed all the way in\*

D.  $28\frac{1}{2}'' \pm \frac{1}{4}''$  (72.4 ± 0.6 cm) depth with handle

E.  $26\frac{1}{8}'' \pm \frac{1}{8}''$  (66.4 ± 0.3 cm)\*\*\*

F.  $29\frac{15}{16}'' \pm \frac{1}{16}''$  (76.0 ± 0.2 cm) width

\* Range can be raised approximately 1" (2.5 cm) by adjusting the leveling legs.

\*\* Model/serial/rating plates may be roated up from behind the control panel for viewing from the front of the range.

\*\*\*Excludes handle. Dimension given is from wall to front of oven door and will vary based on electronic outlet receptacle installation.

A. 18" (45.7 cm) upper cabinet to countertop

B. 13" (33.0 cm) upper cabinet depth

C. 30" (76.2 cm) min. opening width

D. For minimum clearance to the top of the cooktop, see NOTE.

E. U.S.A.: 30" (76.2 cm) min. opening width

Canada: 31" (78.7 cm) min. opening width

F. Cabinet door or hinge should not extend into cutout\*

G.  $1\frac{1}{2}''$  (3.8 cm) min.

from right side of cabinet

H.  $2''$  (5.1 cm) min. from floor

I.  $1.7''$  (17.8 cm) min. from floor

J.  $8''$  (20.3 cm) width

K.  $3\frac{1}{2}''$  (8.9 cm) min. from floor

Proper positioning of outlet shown above.

\* Nothing located in shaded areas can extend more than  $1\frac{1}{2}''$  (3.8 cm) from wall or range will not slide all the way back.

**NOTE:** 24" (61.0 cm) minimum when bottom of wood or metal cabinet is covered by not less than  $\frac{1}{4}''$  (0.64 cm) flame retardant millboard covered with not less than No. 28 MSG sheet steel, 0.015" (0.4 mm) stainless steel, 0.024" (0.6 mm) aluminum or 0.020" (0.5 mm) copper.

30" (76.2 cm) minimum clearance between the top of the cooking platform and the bottom of an uncovered wood or metal cabinet.