

ASSEMBLY INSTRUCTIONS COASTER FINE FURNITURE



Fine Furniture for every stage of life

460089

Twin Loft Bed with Shelf

ITEM: **460089**



ASSEMBLY INSTRUCTIONS

ASSEMBLY TIPS:

1. Remove hardware from box and sort by size.
2. Please check to see that all hardware and parts are present prior to start of assembly.
3. Please follow attached instructions in the same sequence as numbered to assure fast & easy assembly.

WARNING!



1. Don't attempt to repair or modify parts that are broken or defective. Please contact the store immediately.
2. This product is for home use only and not intended for commercial establishments.



ASSEMBLY TIME

60 MINUTES

PARTS IDENTIFICATION

A	TOP BED END		2PCS	O	SHELF BACK LEG		1PC
B	LEFT FRONT BED END LEG		1PC	P	SHELF TRESTLE BAR		4PCS
C	LEFT BACK BED END LEG		1PC	Q	LOWER BED RAIL		1PC
D	RIGHT FRONT BED END LEG		1PC	R	SHELF TOP PANEL		1PC
E	RIGHT BACK BED END LEG		1PC	S	SHELF CENTER & BOTTOM PANEL		2PCS
F	TOP GUARDRAIL		2PCS	T	SHELF RIGHT TOP STRETCHER		1PC
G	BOTTOM GUARDRAIL		5PCS	U	SHELF LEFT TOP STRETCHER		1PC
H	FRONT GUARDRAIL		2PCS	V	SHELF MIDDLE STRETCHER		2PCS
I	BACK GUARDRAIL		2PCS	A2	SHELF BOTTOM STRETCHER		2PCS
J	FRONT GUARDRAIL SUPPORT		1PC	B2	SHELF TOP STRETCHER		1PC
K	ROLL SLAT (14PCS)		1SET	C2	RIGHT LADDER STILE		1PC
L	BACK BED RAIL		1PC	D2	LEFT LADDER STILE		1PC
M	FRONT BED RAIL		1PC	E2	LADDER STEP		5PCS
N	SHELF FRONT LEG		1PC				

NOTE:

Phillips head screw driver is required in the assembly process; however, manufacturer does not provide this item.

ITEM: **460089**



ASSEMBLY INSTRUCTIONS

ASSEMBLY TIPS:


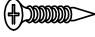

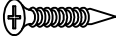






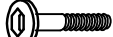

1. Remove hardware from box and sort by size.
2. Please check to see that all hardware and parts are present prior to start of assembly.
3. Please follow attached instructions in the same sequence as numbered to assure fast & easy assembly.

WARNING!



1. Don't attempt to repair or modify parts that are broken or defective. Please contact the store immediately.
2. This product is for home use only and not intended for commercial establishments.

HARDWARE IDENTIFICATION

1	LONG BOLT (ϕ 1/4" x 100MM - WHT)		8PCS	7	SHORT FLAT HEAD SCREW (4 x 20MM - WHT)		2PCS
2	SHORT BOLT (ϕ 1/4" x 40MM - WHT)		6PCS	8	MEDIUM FLAT HEAD SCREW (4 x 35MM - WHT)		10PCS
3	THREADED INSERT (ϕ 1/4" x 20MM - WHT)		2PCS	9	WOOD DOWEL (10 x 40MM)		24PCS
4	SHORT HEX HEAD SCREW (ϕ 5/16" x 80MM - WHT)		11PCS	10	ALLEN WRENCH (80 x 4MM - WHT)		2PCS
5	LONG HEX HEAD SCREW (ϕ 5/16" x 100MM - WHT)		27PCS	11	LONG FLAT HEAD SCREW (4 x 50MM - WHT)		4PCS
6	HEX BOLT (ϕ 1/4" x 40MM - WHT)		10PCS	12	MEDIUM BOLT (ϕ 1/4" x 45MM - WHT)		2PCS

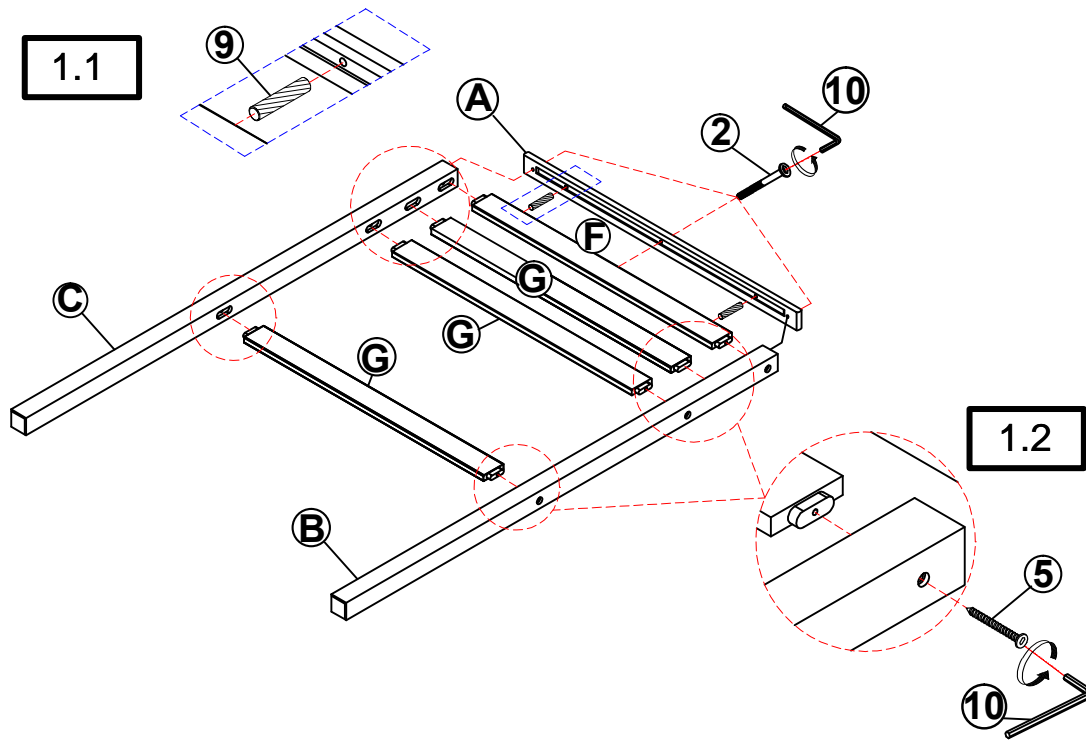
NOTE:

Phillips head screw driver is required in the assembly process; however, manufacturer does not provide this item.

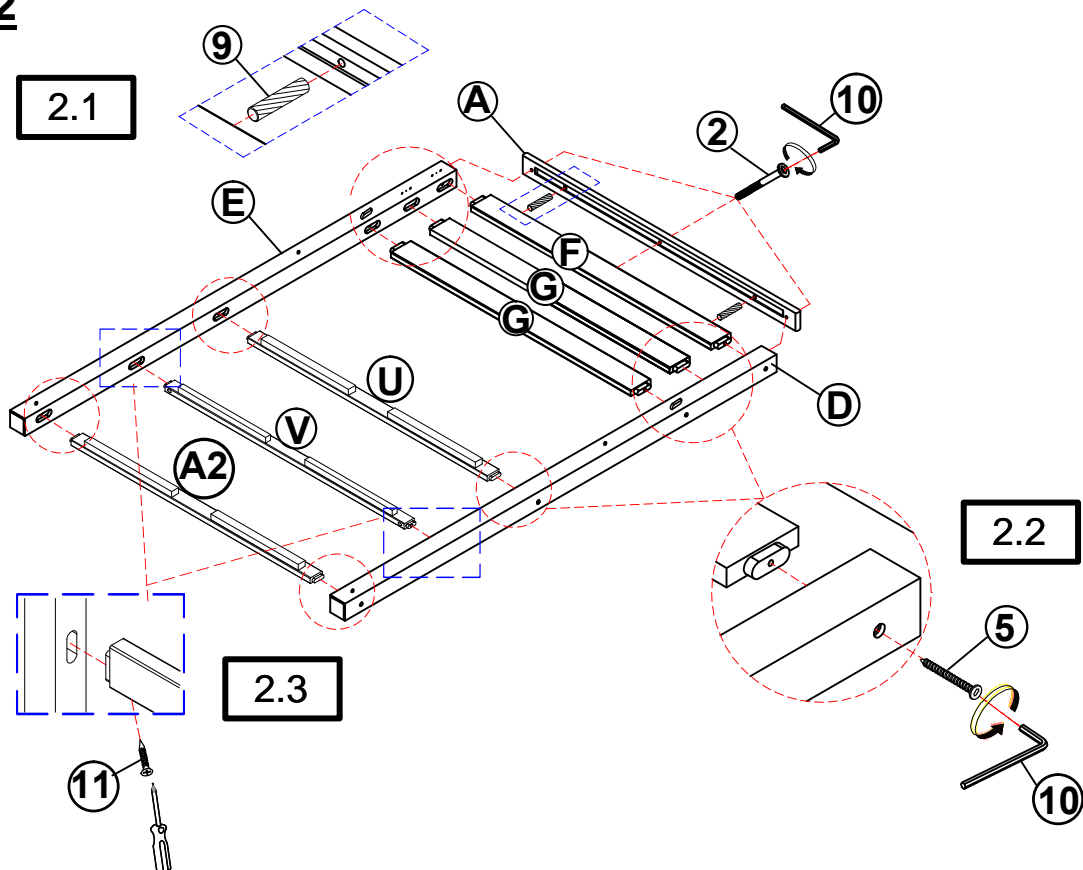
ITEM: **460089**

ASSEMBLY INSTRUCTIONS

STEP 1



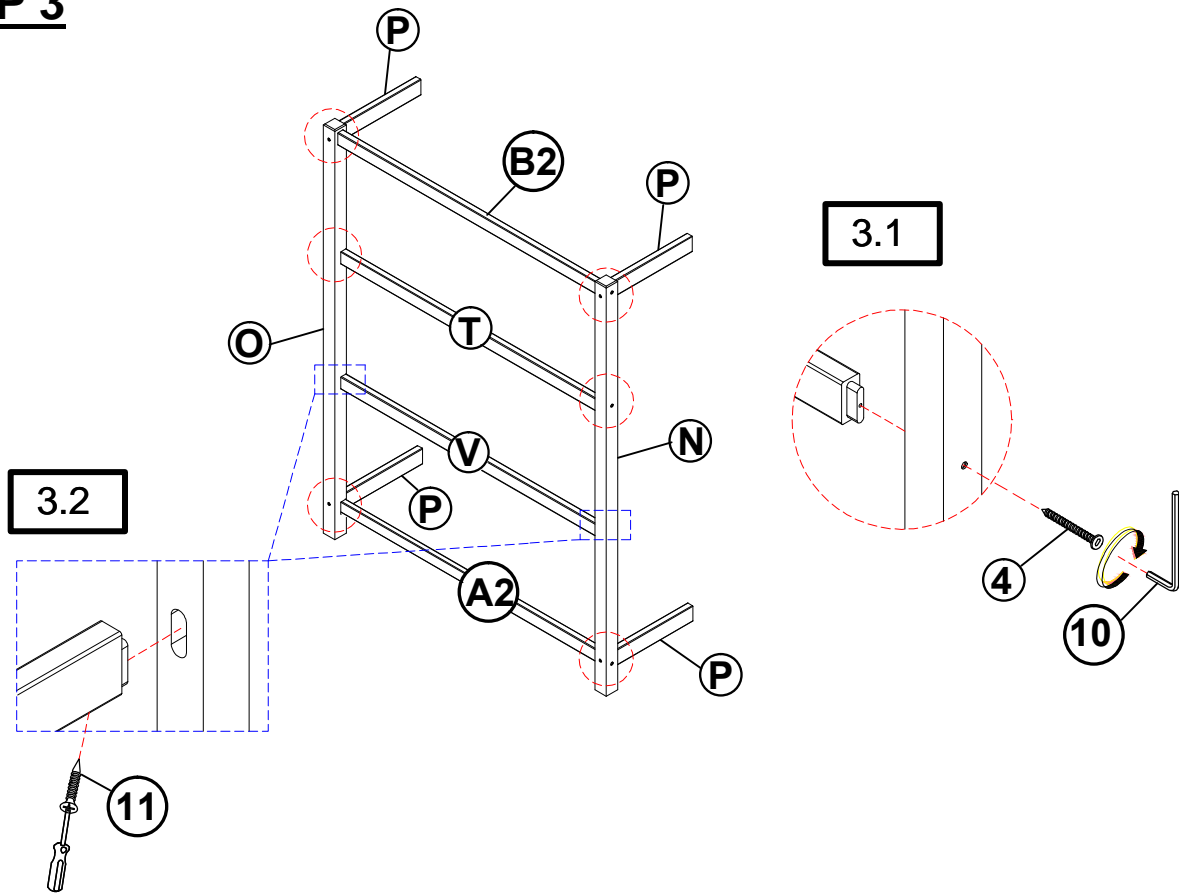
STEP 2



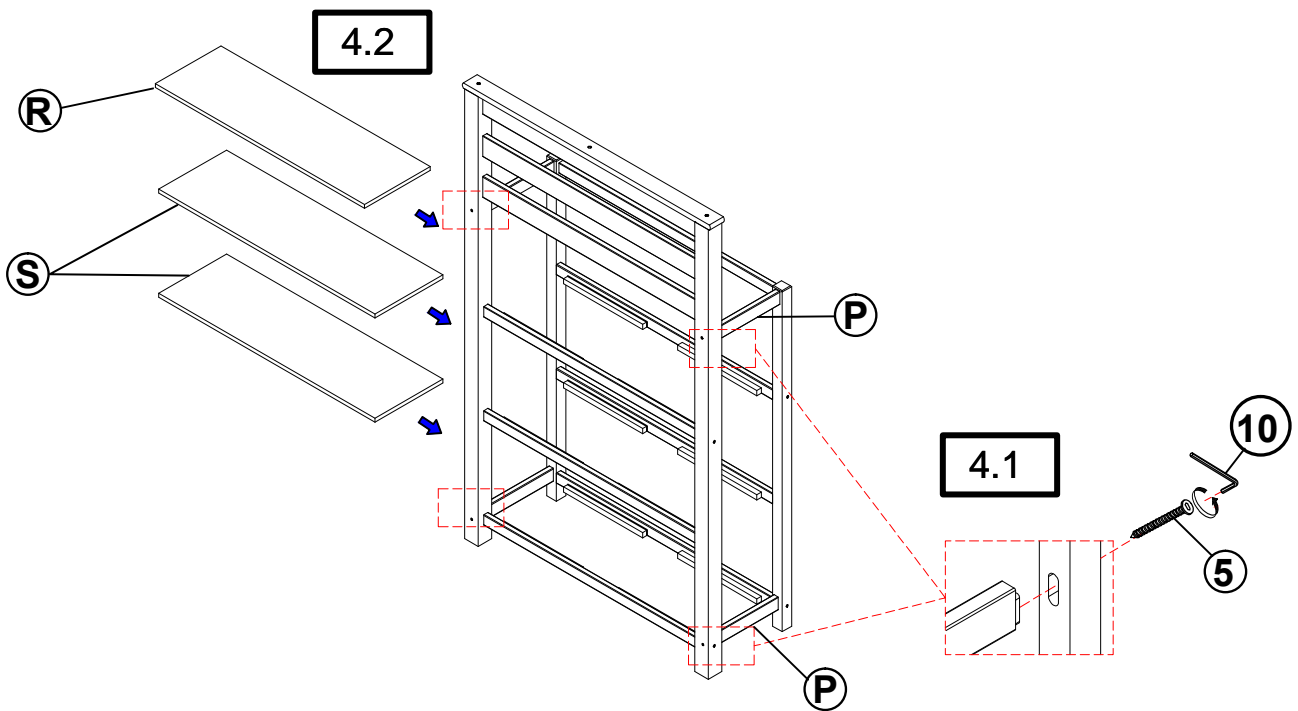
ITEM: **460089**

ASSEMBLY INSTRUCTIONS

STEP 3



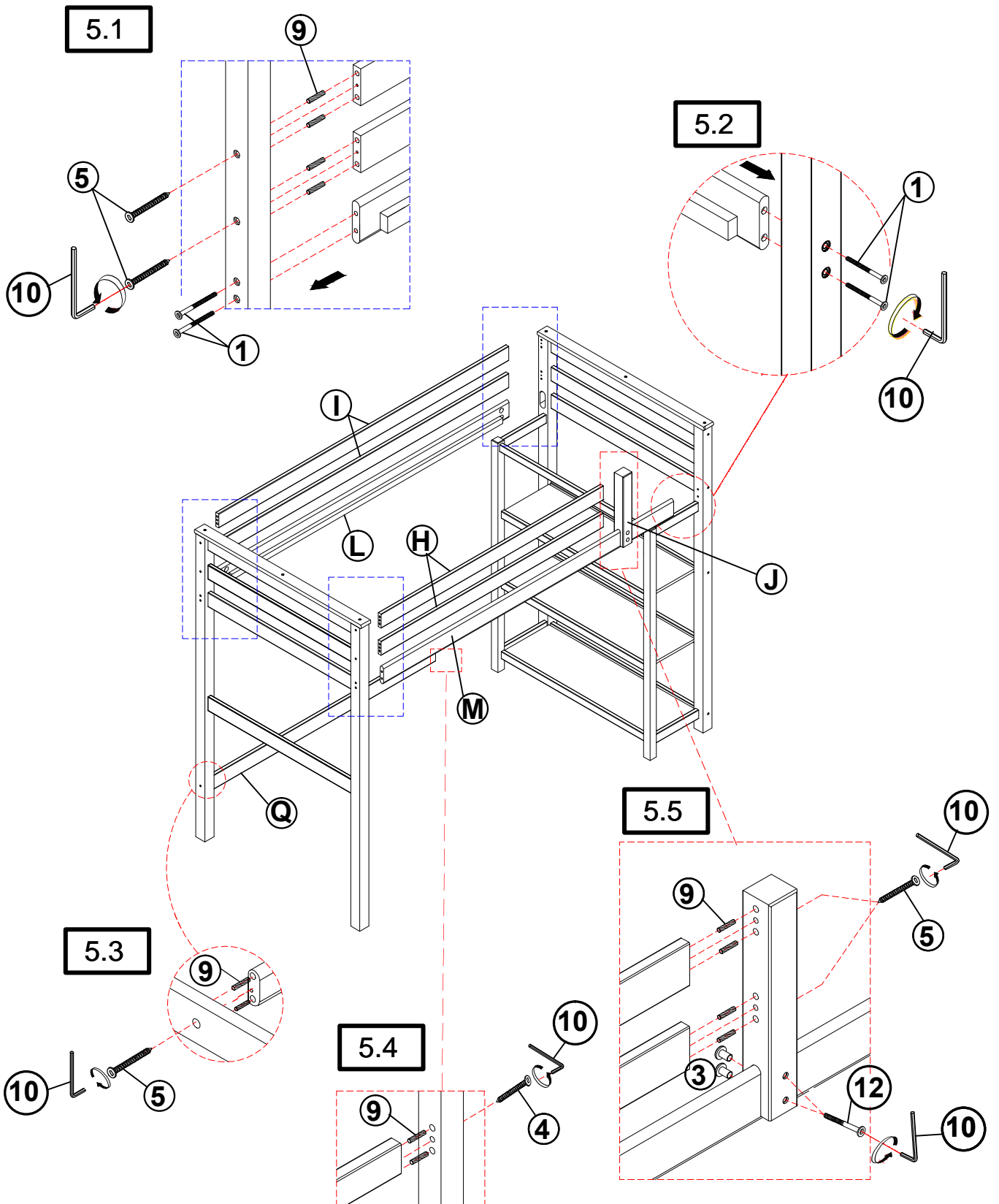
STEP 4



ITEM: **460089**
ASSEMBLY INSTRUCTIONS



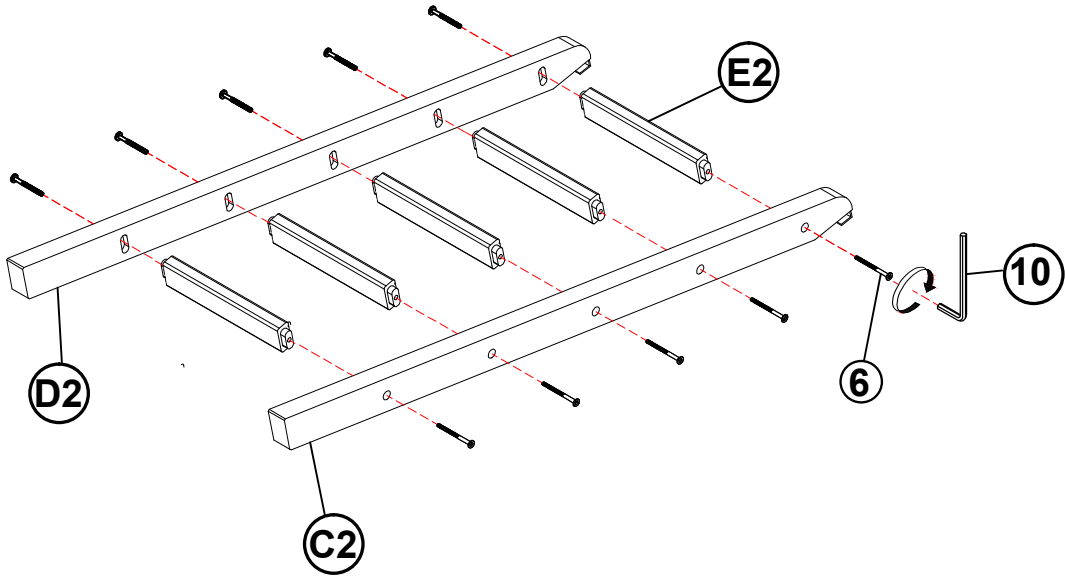
STEP 5



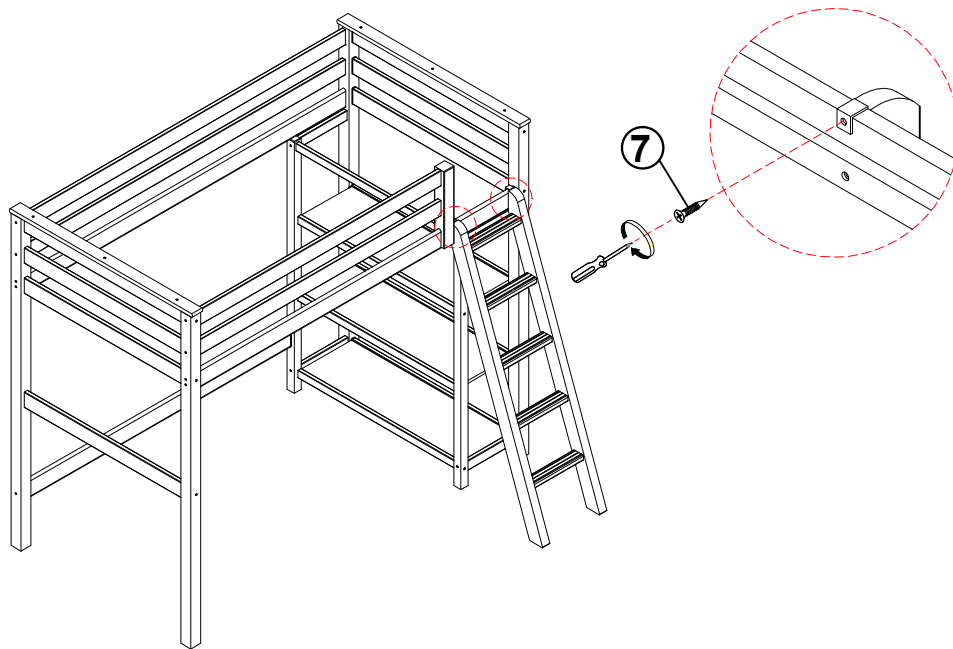
ITEM: **460089**

ASSEMBLY INSTRUCTIONS

STEP 6



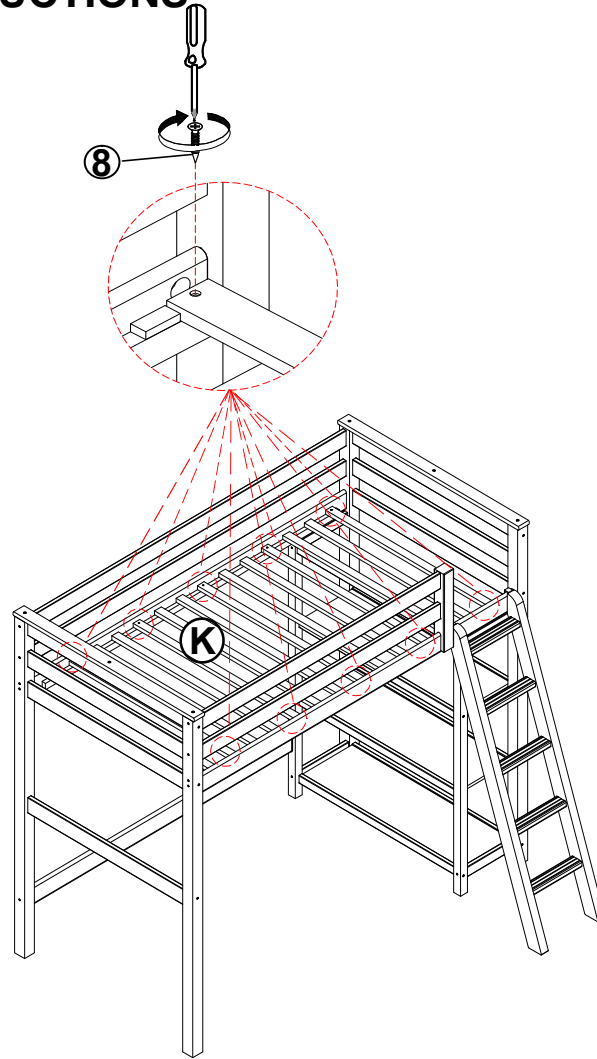
STEP 7



ITEM: **460089**

ASSEMBLY INSTRUCTIONS

STEP 8



STEP 9

COMPLETE



ITEM: **460089**

ASSEMBLY INSTRUCTIONS



SIZE OF MATTRESS

The length and width of the bunk mattress are as follow:

	<u>Length</u>	<u>Width</u>	<u>Thickness</u>
Upper bunk	74" -75"	37 1/2"- 38 1/2"	6" Maximum
Lower bunk	74" -75"	37 1/2"- 38 1/2"	6" Maximum

Ensure thickness of mattress does not exceed 6" and there must be at least 5" from mattress sleeping surface to top edge of guardrail.



SAFETY WARNING



1. Follow the information on the warnings appearing on the upper bunk end structure and on the carton. Do not remove the warning label from bed.
2. Always use the recommended size mattress or mattress support or both to help prevent the likelihood of entrapment or falls.
3. Surface of mattress must be at least 5 in. (127 mm) below the upper edge of guardrails.
4. Do not allow children under 6 years of age to use the upper bunk.
5. Prohibit more than one person on upper bunk.
6. Periodically check and ensure that the guardrail, ladder, and other components are in their proper position, free from damage, and that all connectors are tight.
7. Do not allow horseplay on or under the bed and prohibit jumping on the bed.
8. Always use the ladder for entering and leaving the upper bunk.
9. Do not use substitute parts. Contact the manufacturer or dealer for replacement parts.
10. Use of a night light may provide added safety precaution for a child using upper bunk.
11. Always use guardrails on both long sides of the upper bunk. If the bunk bed will be placed next to the wall, the guardrail that runs the full length of the bed should be placed against the wall to prevent entrapment between the bed and wall.
12. The use of water or sleep flotation mattress is prohibited.
13. Keep these instructions for future reference.

STRANGULATION HAZARD:

14. Never attach or hang items to any part of the bunk bed that are not designed for use with the bed for example, but not limited to hooks, belts, and jump ropes.

REPLACEMENT PARTS:

Replacement parts, including additional guardrails may be obtained from any COASTER Furniture Dealer.

ITEM: **460089**

ASSEMBLY INSTRUCTIONS



⚠️ WARNING ⚠️

TO PREVENT SERIOUS OR FATAL INJURY

1. When using beds as bunk beds, the ladder **MUST** be securely attached to the upper bunk rail at all times.
2. When using the beds as two (2) separate floor-standing beds, the ladder **MUST** be stored in a separate location where children cannot use the ladder in any manner.
3. **DO NOT** use, nor permit children to use, the ladder in any manner whatsoever, other than to access the top unit when used as bunk beds, and only if the ladder is securely attached to the top bunk rail, as set forth in the instructions.
4. Any misuse or unauthorized use of the ladder could result in serious or fatal injury.
5. Failure to follow the above WARNING, and/or failure to follow assembly instructions completely, will void any and all liability of COASTER COMPANY OF AMERICA for damages and injury to persons and property.

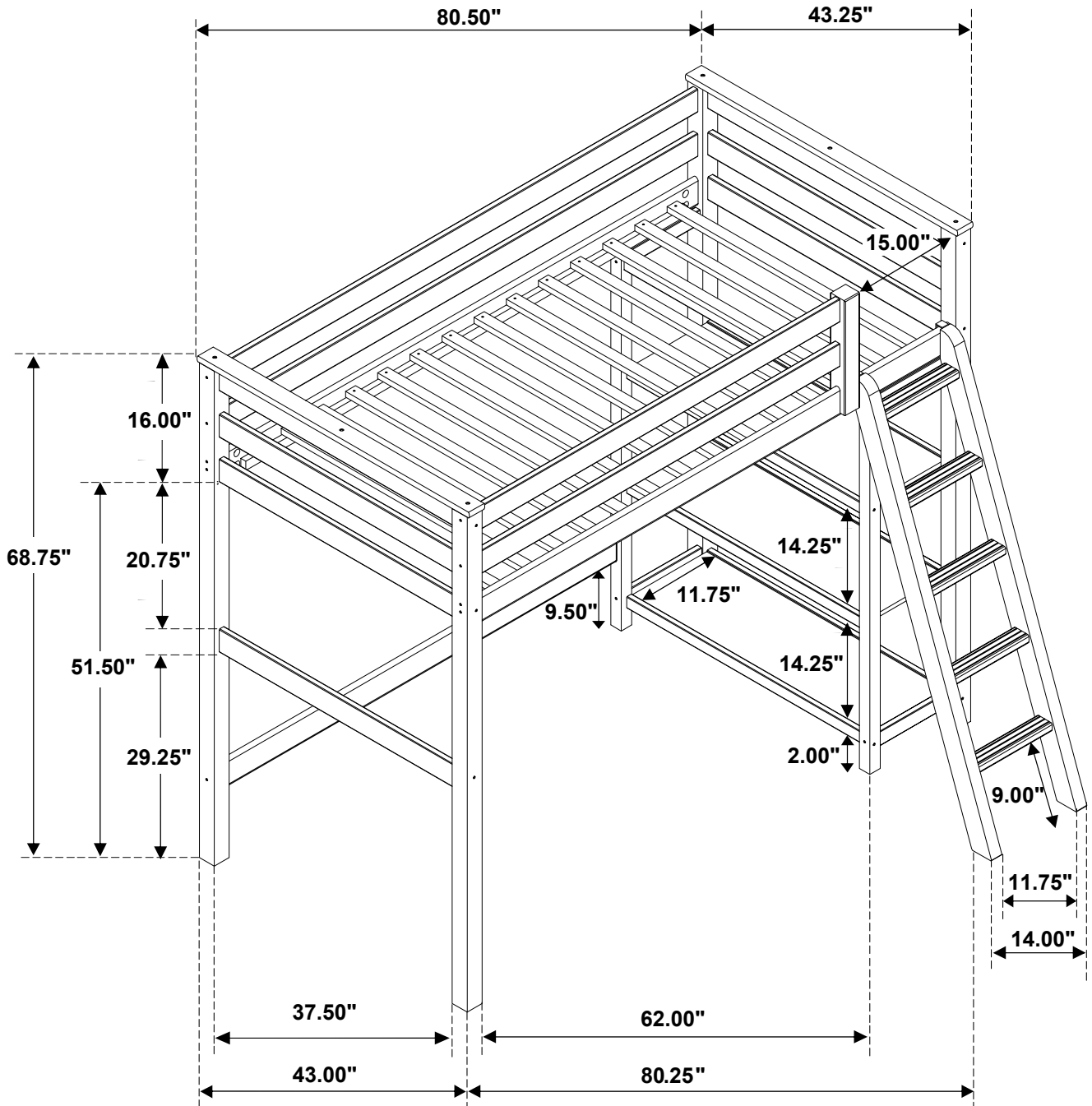


Coasterfurniture.com | 877-COASTER (262-7837)

ITEM: **460089**



Inner Size : 75.00"W x 39.00"D



Note: Dimension tolerance $\pm 5\%$