

H 7263 BP
24" oven
with clear text display, connectivity, and Self Clean.



- Clear-text display with sensor controls – DirectSensor S
- Minimal cleaning effort – Self-cleaning
- Achieve perfect results with ease – Automatic programs
- Unlimited possibilities – volume of 2.97 cu. ft. on 5 levels
- Network-enabled WiFi appliance – Miele@home

EAN: 4002516483717 / Material number: 11804760 / Old Material Number: 22726345USA

Construction type and design	
Built-in wall oven	•
PureLine	•
Appliance color	Clean Touch Steel
Convenience features	
Rapid PreHeat	•
Operating modes	
Defrost	•
MasterChef automatic programs	•
Auto roast	•
Broiling operating modes	•
Maxi Broil	•
Intensive Bake	•
Surround	•
Bake	•
Convection Roast	•
User convenience	
Networking with Miele@home	•
Control panel	DirectSensor S
SoftOpen	•
SoftClose	•
MultiLingua	•
Time synchronization	•
Minute minder	•
Programming start of cooking duration	•
Programming end of cooking duration	•
Programmable cooking time	•
Actual temperature display	•
Audible signal when desired temperature is reached	•
Default temperature	•
Individual settings	•
Cleaning convenience	
Clean Touch Steel surface	•
Self-cleaning	•
Catalyzer	•
Foldable broil heater element	•
CleanGlass door	•
Safety	
Appliance cooling system and cool touch front	•
Safety cut-out	•
System lock	•
Door lock during self cleaning	•
Technical data	
Cavity volume in cu.ft (l)	2.97 (84)
No. of rack levels	5
Number of shelf levels oven compartment 1	5
Number of shelf levels oven compartment 2	5
Oven interior lighting	1 halogen spot
Temperatures in °F (°C)	85-575 (30-300)
Niche width min. in inches (mm)	22 1/8 (560)

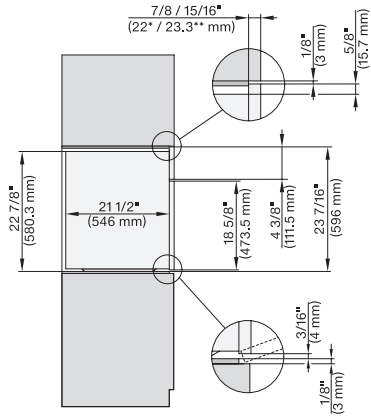
H 7263 BP
24" oven
with clear text display, connectivity, and Self Clean.



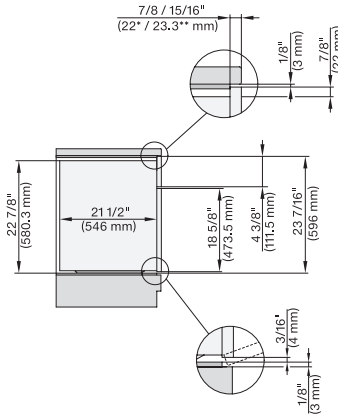
EAN: 4002516483717 / Material number: 11804760 / Old Material Number: 22726345USA

Niche width max. in inches (mm)	22 3/8 (568)
Niche height min. in inches (mm)	23 1/4 (590)
Niche height max. in inches (mm)	23 1/2 (595)
Niche depth in in. (mm)	21 3/4 (550)
Appliance width in in. (mm)	23 1/2 (595)
Appliance height in in. (mm)	23 1/2 (596)
Appliance depth in in. (mm)	22 1/2 (569)
Weight in lbs. (kg)	99 (44.5)
Weight in lbs. (kg)	98.11 (44.5)
Weight in lbs. (kg)	99 (44.5)
Appliance dimensions (W x H x D) in inches (mm)	
Total connected load in kW	5.40
Power Rating in V	120
Voltage in V	240/208
Frequency in Hz	60
Number of phases	1
Fuse rating in A	30
Connection wire with plug	•
Length of power cord in in. (m)	1.80
Standard accessories	
PerfectClean universal baking tray	1
Self Clean ready baking and roasting rack	1
Removable Self Clean-ready side racks (pair)	1
Available display languages	
Available display languages via MultiLingua	bahasa malaysia, dansk, deutsch, english, español, français, hrvatski, italiano, magyar, nederlands, norsk, polski, português, русский, română, slovenčina, slovenščina, srpski, suomi, svenska, türkçe, українська, čeština, ελληνικά, , , ,

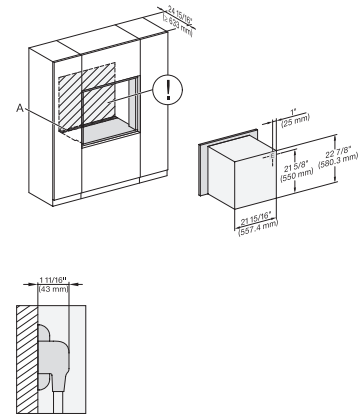
H 7263 BP
24" oven
with clear text display, connectivity, and Self Clean.



H 6x60 B(P) + EBA 6808, H 7xxx (EBA 7808) side view, installation drawing, Flush inset, NA
7/8" – 22" mm – Glas, 15/16" – 23.3** mm – Edelstahl

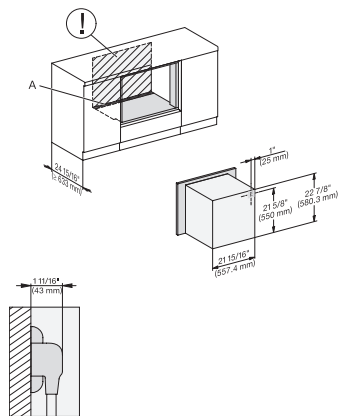


H 6x60 B(P) + EBA 6808, H 7xxx, EBA 7868 side view built-under, installation drawing, Flush inset, NA
7/8" – 22" mm – Glas, 15/16" – 23.3** mm – Edelstahl



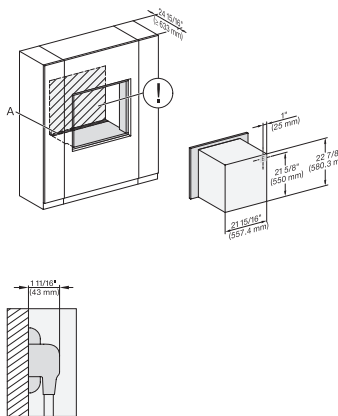
H 6x60 B(P) + EBA 6808, H7x6xBP(+EBA7868), installation, installation drawing, Flush inset, NA

A – Cut-out (4" x 28" / 100 mm x 720 mm) in the bottom of the cabinet for power cord and ventilation. – Electrical and water supplies are recommended to be placed in adjacent cabinetry. Additional cabinet depth is required when placing the electrical and water supplies behind the appliance. E = Electric connection



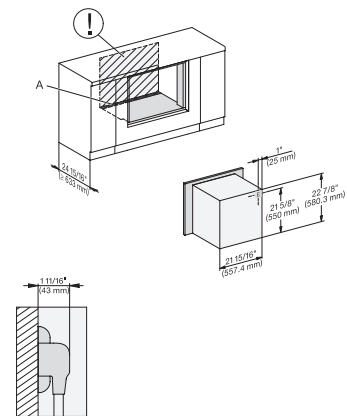
H 6x60 B(P) + EBA 6808, H7x6xBP(+EBA7868), installation built-under, installation drawing, Flush inset, NA

A – Cut-out (4" x 28" / 100 mm x 720 mm) in the bottom of the cabinet for power cord and ventilation. – Electrical and water supplies are recommended to be placed in adjacent cabinetry. Additional cabinet depth is required when placing the electrical and water supplies behind the appliance. E = Electric connection,



H 6x60 B(P) + EBA 6808, H7x6xBP(+EBA7868), wide front installation, installation drawing, Flush inset, NA

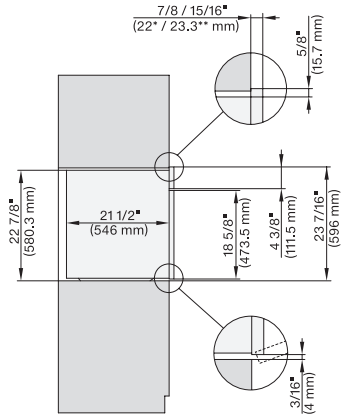
A – Cut-out (4" x 28" / 100 mm x 720 mm) in the bottom of the cabinet for power cord and ventilation. – Electrical and water supplies are recommended to be placed in adjacent cabinetry. Additional cabinet depth is required when placing the electrical and water supplies behind the appliance. E = Electric connection



H 6x60/7x6x B(P) + EBA 6808/7868., installation of built-under with wide front, installation drawing, Flush inset, NA

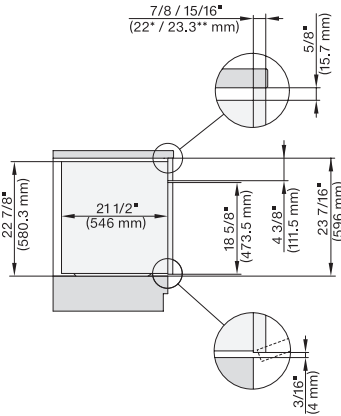
A – Cut-out (4" x 28" / 100 mm x 720 mm) in the bottom of the cabinet for power cord and ventilation. – Electrical and water supplies are recommended to be placed in adjacent cabinetry. Additional cabinet depth is required when placing the electrical and water supplies behind the appliance. E = Electric connection,

H 7263 BP
24" oven
with clear text display, connectivity, and Self Clean.



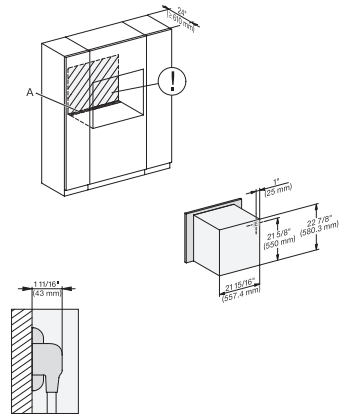
H 6x60 B(P) + EBA 6808, H 7x6x B(P) (+ EBA7808) side view, installation drawing, Proud, NA

7/8" – 22" mm – Glas, 15/16" – 23.3** mm – Edelstahl



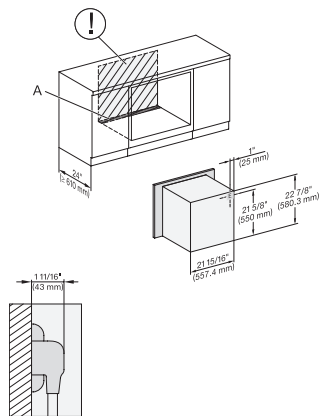
H 6x60 B(P) + EBA 6808, H7x6xBP (+EBA7868) side view built-under, installation drawing, Proud, NA

7/8" – 22" mm – Glas, 15/16" – 23.3** mm – Edelstahl



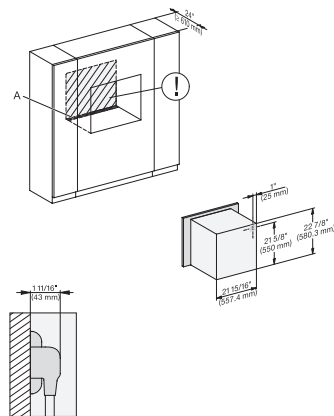
H 6x60 B(P) + EBA 6808, H 7x6xBP(+EBA7868), installation, installation drawing, Proud, NA

A – Cut-out (4" x 28" / 100 mm x 720 mm) in the bottom of the cabinet for power cord and ventilation, – Electrical and water supplies are recommended to be placed in adjacent cabinetry., Additional cabinet depth is required when placing the electrical and water supplies behind the appliance., E = Electric connection



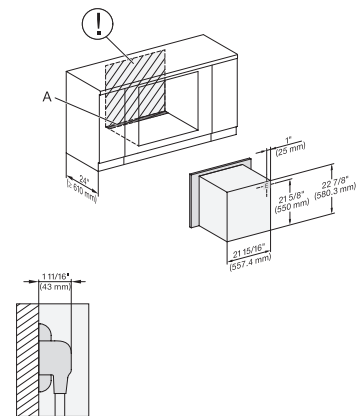
H 6x60 B(P) + EBA 6808, H7x6x(+EBA7868) installation built-under, installation drawing, Proud, NA

A – Cut-out (4" x 28" / 100 mm x 720 mm) in the bottom of the cabinet for power cord and ventilation, – Electrical and water supplies are recommended to be placed in adjacent cabinetry., Additional cabinet depth is required when placing the electrical and water supplies behind the appliance., E = Electric connection,



H 6x60 B(P) + EBA 6808, H7x6xBP+EBA7868, wide front installation, installation drawing, Proud, NA

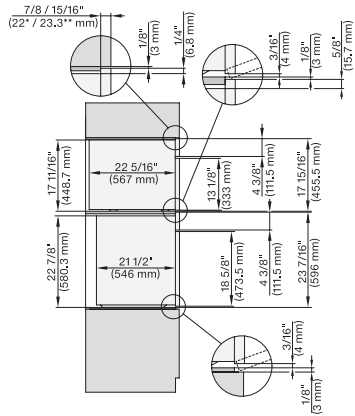
A – Cut-out (4" x 28" / 100 mm x 720 mm) in the bottom of the cabinet for power cord and ventilation, – Electrical and water supplies are recommended to be placed in adjacent cabinetry., Additional cabinet depth is required when placing the electrical and water supplies behind the appliance., E = Electric connection



H 6x60 B(P) + EBA 6808, H7x6xBP(+EBA7868) installation of built-under with wide front, installation drawing, Proud, NA

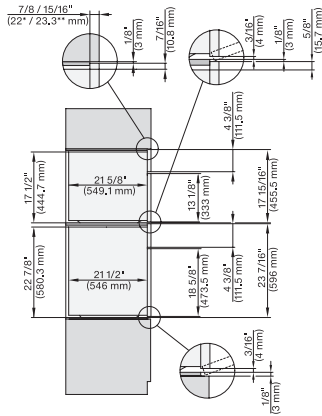
A – Cut-out (4" x 28" / 100 mm x 720 mm) in the bottom of the cabinet for power cord and ventilation, – Electrical and water supplies are recommended to be placed in adjacent cabinetry., Additional cabinet depth is required when placing the electrical and water supplies behind the appliance., E = Electric connection,

H 7263 BP
24" oven
with clear text display, connectivity, and Self Clean.



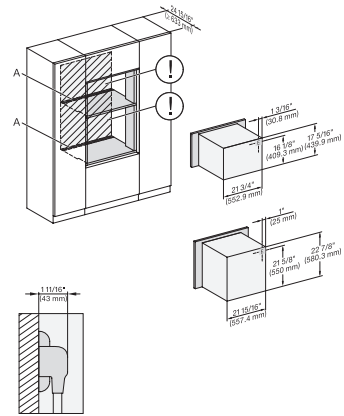
DGC6x00-1+EBA 6808, H 6560B+EBA 6808, H 6x60 BP+EBA6808, DGC7xxx, H7xxx, EBA78x8 Combi, Install. drawi., Flush inset, NA

7/8" – 22" mm – Glas, 15/16" – 23.3" mm – Edelstahl



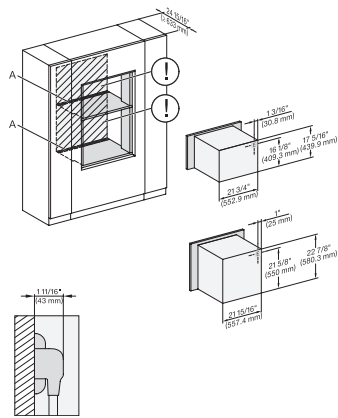
H 6560 B + EBA 6808, H 6x60 BP + EBA 6808, H 6x00 BM + EBA 6808, H7xxx, EBA 78x8 Combi, Install drawing, Flush inset, NA

7/8" – 22" mm – Glas, 15/16" – 23.3" mm – Edelstahl



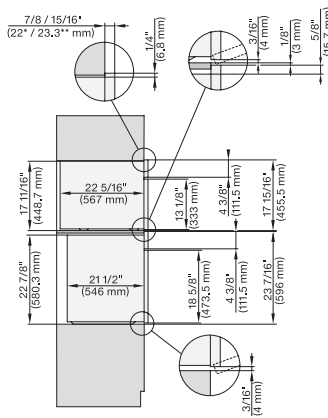
H 6560 B + EBA 6808, H 6x60 BP + EBA 6808, H 6x00 BM, H 7xxx, EBA 78x8, Installation drawing, Flush inset, NA

A – Cut-out (4" x 28" / 100 mm x 720 mm) in the bottom of the cabinet for power cord and ventilation, – Electrical and water supplies are recommended to be placed in adjacent cabinetry., Additional cabinet depth is required when placing the electrical and water supplies behind the appliance., E = Electric connection



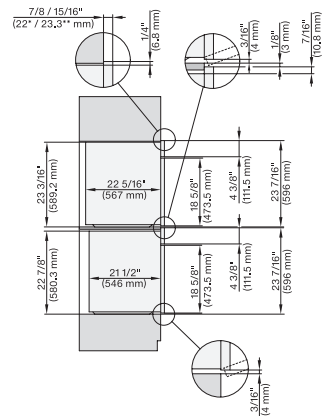
H 6560 B + EBA 6808, H 6x60 BP, H 6x00 BM, H 7xxx BM/BP, EBA 78x8, Installation drawing, Flush inset, NA

A – Cut-out (4" x 28" / 100 mm x 720 mm) in the bottom of the cabinet for power cord and ventilation, – Electrical and water supplies are recommended to be placed in adjacent cabinetry., Additional cabinet depth is required when placing the electrical and water supplies behind the appliance., E = Electric connection



DGC6x6x(AM)+EBA6808, H6560B+EBA6808, HxxxBP+EBAx8x8, Combi, Installation Drawing, Proud, Flush inset, NA

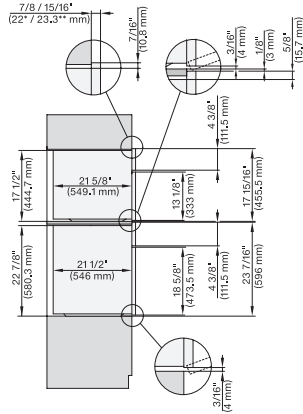
7/8" – 22" mm – Glas, 15/16" – 23.3" mm – Edelstahl



DGC6x6x(AM)+EBA6808, H6560B+EBA6808, H6x60BP+EBA6808, (DGC786x, H7x6xBP)+EBA7868, Combi, Installation drawing, Proud, NA

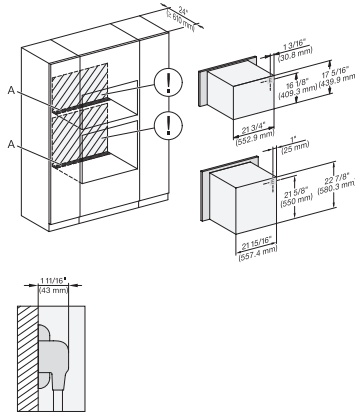
7/8" – 22" mm – Glas, 15/16" – 23.3" mm – Edelstahl

H 7263 BP 24" oven with clear text display, connectivity, and Self Clean.



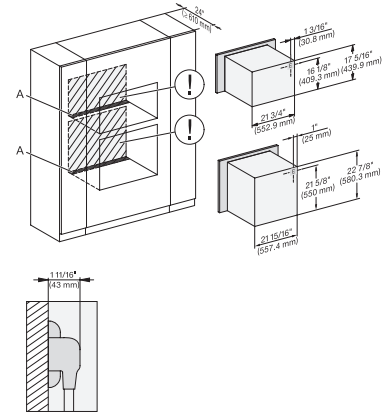
H 6560 B + EBA 6808, H 6x60 BP + EBA 6808, H 6x00 BM + EBA 6808, H7xxx+EBA7x7x, Combi, Installation drawing, Proud, NA

7/8" – 22" mm – Glas, 15/16" – 23.3" mm – Edelstahl



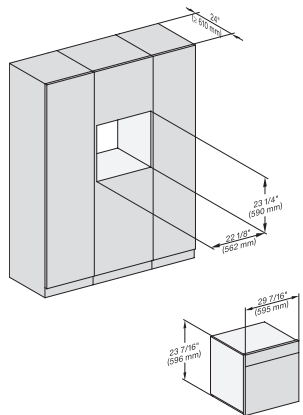
H 6560 B + EBA 6808, H 6x60 BP + EBA6808, H6x00BM + EBA6808, NA7000 Installation Combi, Installation drawing, Proud, NA

A – Cut-out (4" x 28" / 100 mm x 720 mm) in the bottom of the cabinet for power cord and ventilation, – Electrical and water supplies are recommended to be placed in adjacent cabinetry., Additional cabinet depth is required when placing the electrical and water supplies behind the appliance., E = Electric connection

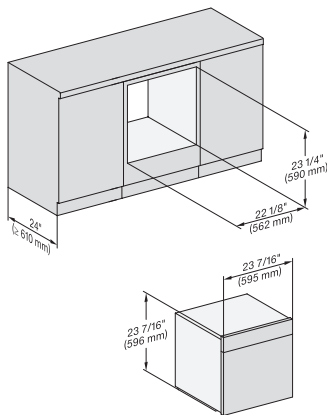


(H6560B, H6x60BP, H6x00BM) + EBA6808, NA7000 Installation Combi wide front, Installation drawing, Proud, NA

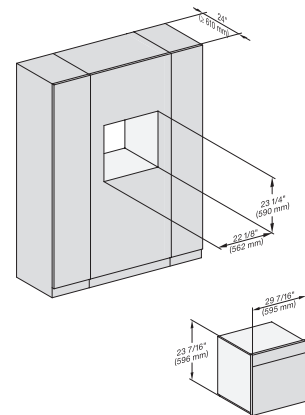
A – Cut-out (4" x 28" / 100 mm x 720 mm) in the bottom of the cabinet for power cord and ventilation, – Electrical and water supplies are recommended to be placed in adjacent cabinetry., Additional cabinet depth is required when placing the electrical and water supplies behind the appliance., E = Electric connection



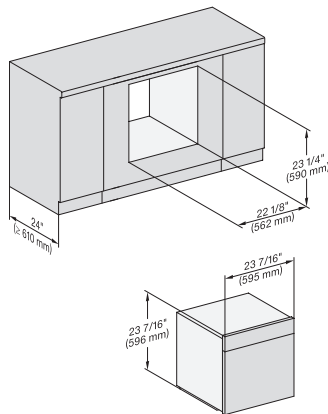
DGC786x, H7x6xBP, Einbau, Proud, 650S



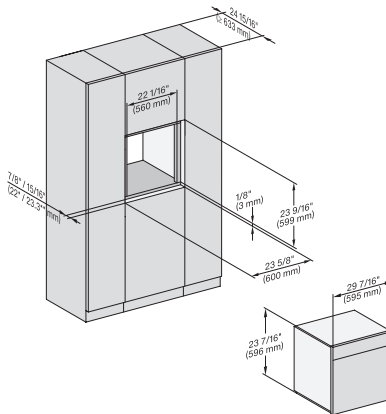
H7x6xBP, Einbau, Proud, built-under, 650S



DGC786x, H7x6xBP, Einbau, Proud, wide front, 650S

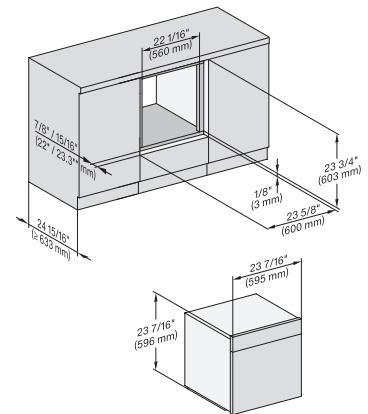


H7x6xBP, Einbau, Proud, built-under, wide front, 650S



DGC786x H7x6xBP, Einbau, Flush inset, 650S

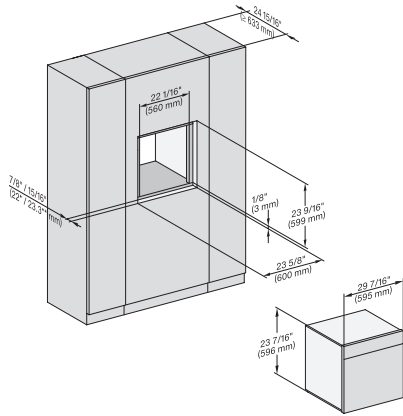
7/8" – 22" mm – Glas, 15/16" – 23.3" mm – Stainless steel



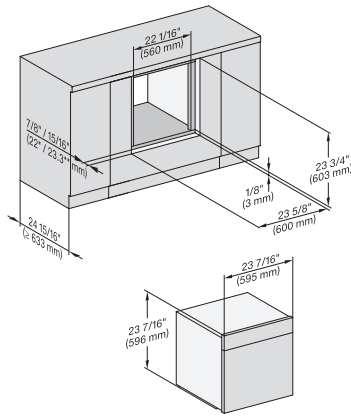
H7x6xBP, Einbau, Flush inset, built-under

7/8" – 22" mm – Glas, 15/16" – 23.3" mm – Stainless steel

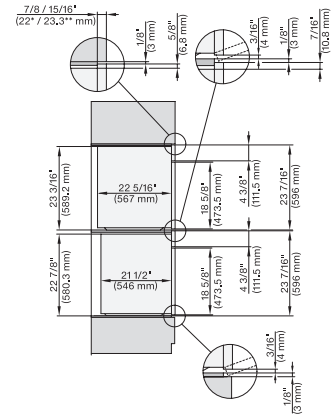
H 7263 BP
24" oven
with clear text display, connectivity, and Self Clean.



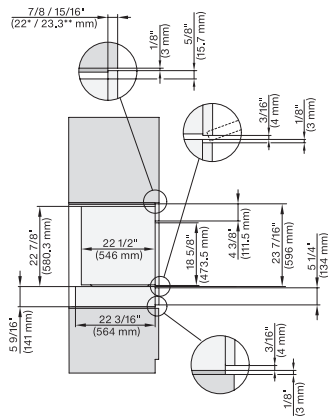
DGC7x6x, H7x6xBP, Einbau, Flush inset, breite Font, 650S
7/8" – 22" mm – Glass, 15/16" – 23.3" mm – Stainless steel



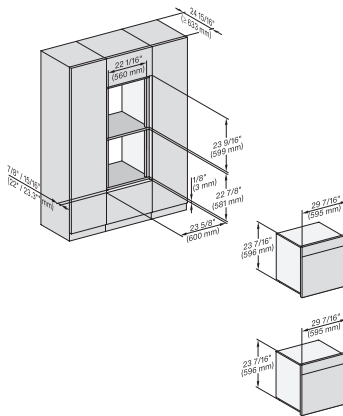
H7x6xBP, EVS7010, Einbau, Flush inset, built-under, breite Front, 650S
7/8" – 22" mm – Glass, 15/16" – 23.3" mm – Stainless steel



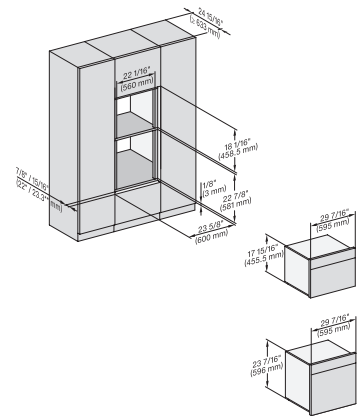
DGC786x(+EBA7848), H7x6xBP(+EBA7848), side view, 30 Zoll, Flush inset, combi, XXL, 650S
7/8" – 22" mm – Glass, 15/16" – 23.3" mm – Stainless steel



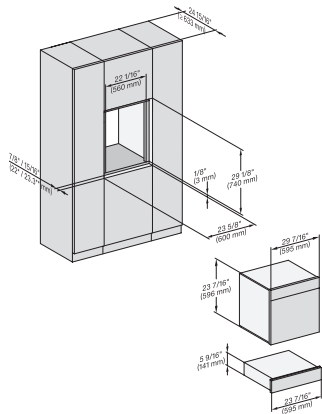
H7x6xBP+EBA7848, ESW7x10, EVS7010, side view, 30 Zoll, Flush inset, combi, 650S, ESW
7/8" – 22" mm – Glass, 15/16" – 23.3" mm – Stainless steel



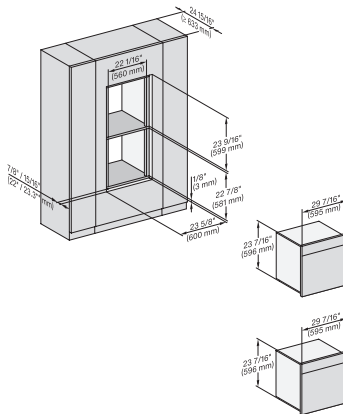
DGC786x, H7x6xBP, Einbau, 30 Zoll, Flush inset, combi, XXL, 650S
7/8" – 22" mm – Glass, 15/16" – 23.3" mm – Stainless steel



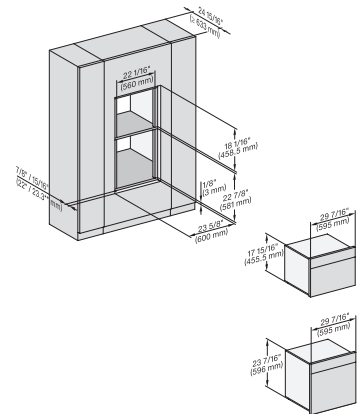
DGC7x4x, H7x40BM, H7x6xBP, Einbau, 30 Zoll Flush inset, combi, 650S, 450S
7/8" – 22" mm – Glass, 15/16" – 23.3" mm – Stainless steel



H7x6xBP+EBA7848, ESW7x10, EVS7010, Einbau, 30 Zoll, Flush inset, combi, 650S, ESW
7/8" – 22" mm – Glass, 15/16" – 23.3" mm – Stainless steel

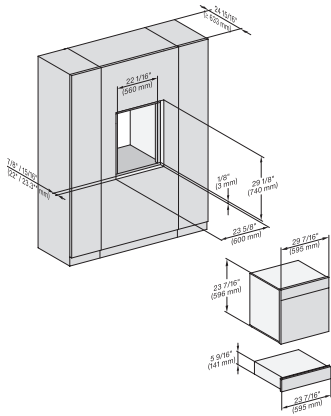


DGC786x, H7x6xBP, Einbau, 30 Zoll, Flush inset, combi, wide front, XXL, 650S
7/8" – 22" mm – Glass, 15/16" – 23.3" mm – Stainless steel



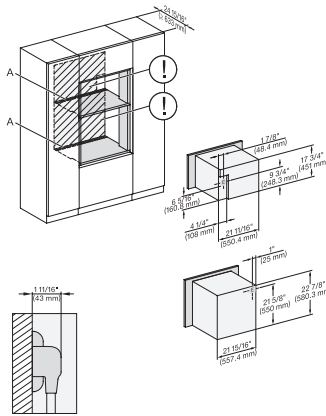
DGC7xxx, H7x40BM, H7x6xBP, Einbau, 30 Zoll, Flush inset, combi, wide front, 650S, 450S
7/8" – 22" mm – Glass, 15/16" – 23.3" mm – Stainless steel

H 7263 BP
24" oven
with clear text display, connectivity, and Self Clean.



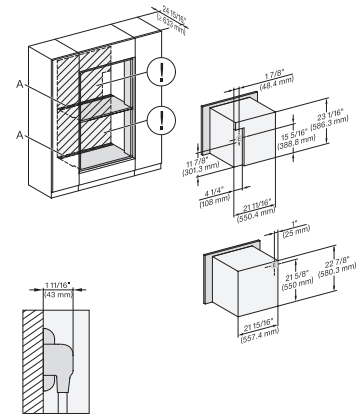
H7x6x+EBA7868, ESW7x10, EVS7010, Einbau, 30 Zoll, Flush inset, wide front, 650S

7/8" – 22" mm – Glass, 15/16" – 23.3" mm – Stainless steel



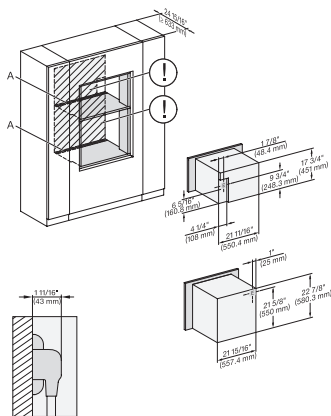
DGC7x4x(+EBA7848), H7x6xBP(+EBA7848), Installation, 30 Zoll, Flush inset, combi, XL, 650S

A – Cut-out (4" x 28" / 100 mm x 720 mm) in the bottom of the cabinet for power cord and ventilation. – Electrical and water supplies are recommended to be placed in adjacent cabinetry. Additional cabinet depth is required when placing the electrical and water supplies behind the appliance. E = Electric connection



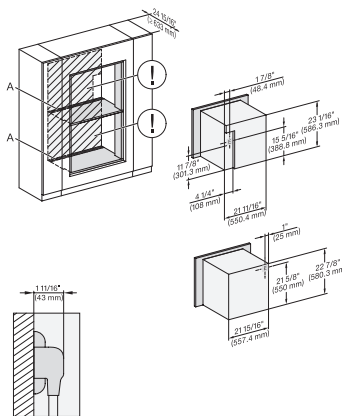
DGC786x+EBA7868, H7x6xBP(+EBA7848), Installation, 30 Zoll, Flush inset, combi, XXL, 650S

A – Cut-out (4" x 28" / 100 mm x 720 mm) in the bottom of the cabinet for power cord and ventilation. – Electrical and water supplies are recommended to be placed in adjacent cabinetry. Additional cabinet depth is required when placing the electrical and water supplies behind the appliance. E = Electric connection



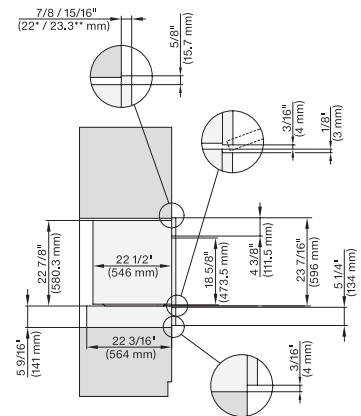
DGC7x4x(+EBA7848), H7x6x(+EBA7848), Installation, 30 Zoll, flush inset, combi, wide front, 650S

A – Cut-out (4" x 28" / 100 mm x 720 mm) in the bottom of the cabinet for power cord and ventilation. – Electrical and water supplies are recommended to be placed in adjacent cabinetry. Additional cabinet depth is required when placing the electrical and water supplies behind the appliance. E = Electric connection



DGC786x(+EBA7848), H7x6xBP(+EBA7848), Installation, 30 Zoll, Flush inset, combi, wide front, 650S, XXL

A – Cut-out (4" x 28" / 100 mm x 720 mm) in the bottom of the cabinet for power cord and ventilation. – Electrical and water supplies are recommended to be placed in adjacent cabinetry. Additional cabinet depth is required when placing the electrical and water supplies behind the appliance. E = Electric connection



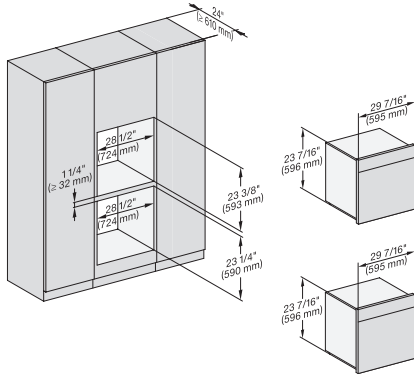
H7x6xBP+EBA7848, ESW7x10, EVS7010, side view, 30 Zoll, Proud, combi, 650S

7/8" – 22" mm – Glass, 15/16" – 23.3" mm – Stainless steel

H 7263 BP

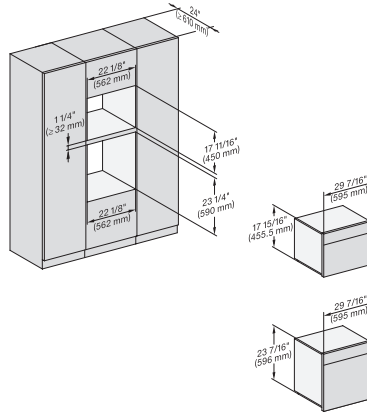
24" oven

with clear text display, connectivity, and Self Clean.



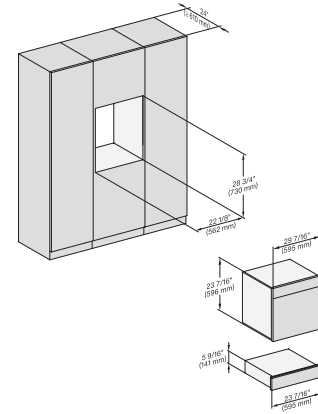
DGC786x, H7x6BP, Einbau, 30 Zoll, Proud, combi, XXL, 650S

7/8" – 22" mm – Glass, 15/16" – 23.3** mm – Stainless steel



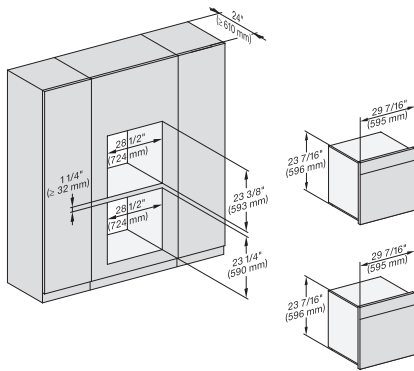
DGC7xxx, H7x4x4BM, H7x6x6BP, Einbau, 30 Zoll, Proud, combi, 650S, 450S

7/8" – 22" mm – Glass, 15/16" – 23.3** mm – Stainless steel

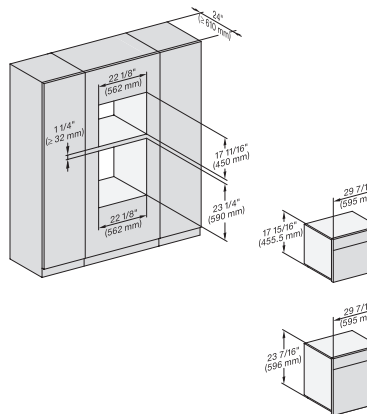


H7x6x6BP+EBA7848, ESW7x10, EVS7010, Einbau, 30 Zoll, Proud, combi, 650S

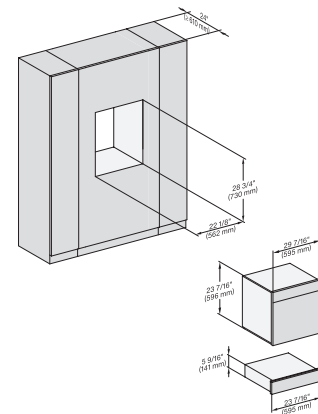
7/8" – 22" mm – Glass, 15/16" – 23.3** mm – Stainless steel



DGC786x, H7x6x6BP, Einbau, 30 Zoll, Proud, combi, wide front, XXL



DGC7x4x, H7x40Bm, H7x6x6BP, Einbau, 30 Zoll, Proud, combi, wide front, 650S, 450S

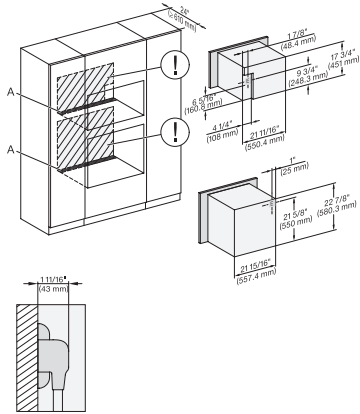


H7x6x6BP+EBA7848, ESW7x10, EVS7010, Einbau, 30 Zoll, Proud, combi, wide front, 650S

H 7263 BP

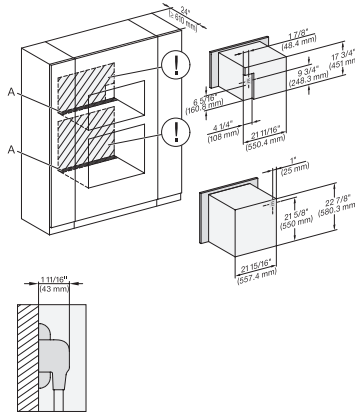
24" oven

with clear text display, connectivity, and Self Clean.



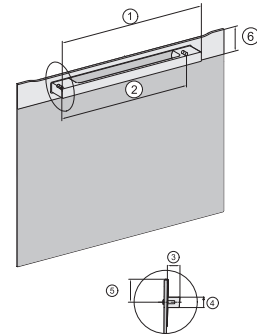
DGC7x4x(+EBA7848), H7x6x(+EBA7848), Installation, 30 Zoll, Proud, combi, XL, 650S

A – Cut-out (4" x 28" / 100 mm x 720 mm) in the bottom of the cabinet for power cord and ventilation. – Electrical and water supplies are recommended to be placed in adjacent cabinetry. Additional cabinet depth is required when placing the electrical and water supplies behind the appliance. E = Electric connection



DGC7x4x(+EBA7848), H7x6xBP(+EBA7848), Installation, 30 Zoll, Proud, combi, wide front, 650S

A – Cut-out (4" x 28" / 100 mm x 720 mm) in the bottom of the cabinet for power cord and ventilation. – Electrical and water supplies are recommended to be placed in adjacent cabinetry. Additional cabinet depth is required when placing the electrical and water supplies behind the appliance. E = Electric connection



Handle H72xx, H76xx, H78xx, PureLine – NA7000 - Installation drawing

H2880BP, H7270BM, H7670BM, H7870BM, H7280BP, H7680BP, H7880BP, H7880BP2.; 19 11/16" / 500 mm, 17 1/2" / 444 mm, 1 7/8" / 47 mm, 15/16" / 24 mm, 1 1/4" / 32.5 mm, 2 9/16" / 65 mm, H7240BM, H7640BM, H7840BM, H7263BP, H7660BP.; 15 3/4" / 400 mm, 14 3/16" / 360 mm, 1 7/8" / 47 mm, 15/16" / 24 mm, 1 1/4" / 32.5 mm, 2 9/16" / 65 mm