

Install / Use & Care MANUAL

FR-D'installation/d'utilisation et d'entretien

ES-De instalación/operación y mantenimiento

5 SERIES

Professional Undercounter Refrigerator / Beverage Center
Réfrigérateur de comptoir / Stockage de boissons Professionnel
Refrigerador bajo mostrador / Centro de bebidas Profesional

VRUI5240

VBUI5150

VBUI5240

CONTENTS

Contents:

Safety information	2
Unpacking your appliance	3
Warranty registration	3
Installing your appliance	4
Cabinet clearances	4
Leveling the appliance	4
Electrical connection	5
Product dimensions	6
Using your Electronic control	8
Starting your appliance	8
Sleep mode	8
Turning your appliance "ON" or "OFF"	8
Interior display lighting	8
Adjusting the temperature	9
Temperature mode	9
Control lock	9
Temperature sensor error codes	9
Alarms	10
Door ajar	10
Power failure	10
Temperature alarm	10
Vacation mode	11
Shelving configurations	12
Care and cleaning	15
Energy saving tips	15
Service Information	16
Troubleshooting	17
Warranty	18

Important Safety Instructions

Warnings and safety instructions appearing in this guide are not meant to cover all possible conditions and situations that may occur. Common sense, caution, and care must be exercised when installing, maintaining, or operating this appliance.

Recognize Safety Symbols, Words, and Labels.



WARNING

WARNING - You can be killed or seriously injured if you do not follow these instructions.



CAUTION

CAUTION-Hazards or unsafe practices which could result in personal injury or property / product damage.

NOTE

NOTE-Important information to help assure a problem free installation and operation.



WARNING

State of California Proposition 65 Warning:
This product contains one or more chemicals known to the State of California to cause cancer.



WARNING

State of California Proposition 65 Warning:
This product contains one or more chemicals known to the State of California to cause birth defects or other reproductive harm..

UNPACKING YOUR APPLIANCE



WARNING

EXCESSIVE WEIGHT HAZARD

Use two or more people to move product.
Failure to do so can result in personal injury.

Remove Interior Packaging

Your appliance has been packed for shipment with all parts that could be damaged by movement securely fastened. Remove internal packing materials and any tape holding internal components in place. The owners manual is shipped inside the product in a plastic bag along with the warranty registration card, and other accessory items.

Important

Keep your carton and packaging until your appliance has been thoroughly inspected and found to be in good condition. If there is damage, the packaging will be needed as proof of damage in transit. Afterwards please dispose of all items responsibly.



WARNING

WARNING - Dispose of the plastic bags which can be a suffocation hazard.

Note to Customer

This merchandise was carefully packed and thoroughly inspected before leaving our plant. Responsibility for its safe delivery was assumed by the retailer upon acceptance of the shipment. Claims for loss or damage sustained in transit must be made to the retailer.

NOTE

DO NOT RETURN DAMAGED MERCHANDISE TO THE MANUFACTURER - FILE THE CLAIM WITH THE RETAILER.



CAUTION

If the appliance was shipped, handled, or stored in other than an upright position for any period of time, allow the appliance to sit upright for a period of at least 24 hours before plugging in. This will assure oil returns to the compressor. Plugging the appliance in immediately may cause damage to internal parts.

Warranty Registration

It is important you send in your warranty registration card immediately after taking delivery of your appliance or you can register online at www.vikingrange.com

The following information will be required when registering your appliance.

Service Number
Serial Number
Date of Purchase
Dealer's name and address

Online registration
available at
www.vikingrange.com

The service number and serial number can be found on the serial plate which is located inside the cabinet on the left side near the top. See figure 1.

VIKING RANGE, LLC	
GREENWOOD, MS 38930	
MODEL NO.	<input type="text"/>
SERIAL NO.	<input type="text" value="XXXXXXXXXXXX"/>
HZ <input type="text"/>	VOLTS <input type="text"/>
AMPS <input type="text"/>	R134A <input type="text"/> oz
TEST PRESSURE 140 PSI LOW SIDE 300 PSI HIGH SIDE	

Figure 1



WARNING

WARNING - Help Prevent Tragedies

Child entrapment and suffocation are not problems of the past. Junked or abandoned refrigerators are still dangerous - even if they sit out for "just a few hours".

If you are getting rid of your old refrigerator, please follow the instructions below to help prevent accidents.

Before you throw away your old refrigerator or freezer:

- Take off the doors or remove the drawers.
- Leave the shelves in place so children may not easily climb inside.

INSTALLING YOUR APPLIANCE

Select Location

The proper location will ensure peak performance of your appliance. We recommend a location where the unit will be out of direct sunlight and away from heat sources. To ensure your product performs to specifications, the recommended installation location temperature range is from 55 to 100°F (13 to 38°C).

Cabinet Clearance

Ventilation is required from the bottom front of the appliance. Keep this area open and clear of any obstructions. Adjacent cabinets and counter top can be installed around the appliance as long as the front grille remains unobstructed. All Professional models with articulated hinges are intended for built-in applications only.

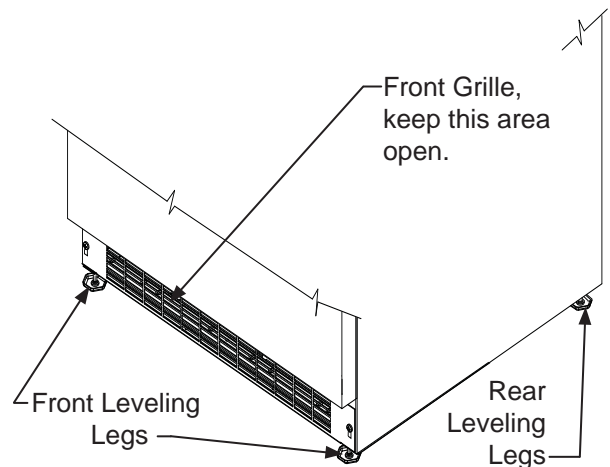


Figure 2

Leveling Legs

Adjustable legs at the front and rear corners of the appliance should be set so the unit is firmly positioned on the floor and level from side to side and front to back. The overall height of your appliance may be adjusted higher (by turning the leveling leg out, CCW) and lower (by turning the leveling leg in, CW) dimensions as shown in Table "A".

To adjust the leveling legs, place the appliance on a solid surface and protect the floor beneath the legs to avoid scratching the floor. With the assistance of another person, lean the appliance back to access the front leveling legs. Raise or lower the legs to the required dimension by turning the legs. Repeat this process for the rear by tilting the appliance forward using caution. On a level surface check the appliance for levelness and adjust accordingly.

The front grille screws may be loosened and the grille adjusted to the desired height. When adjustment is complete tighten the two front grille screws. (See Figure 5).



Front Grille

Do not obstruct the front grille. The openings within the front grille allow air to flow through the condenser heat exchanger. Restrictions to this air flow will result in increased energy usage and loss of cooling capacity. For this reason it is important this area to not be obstructed and the grille openings kept clean. Viking Range, LLC does not recommend the use of a custom made grille as air flow may be restricted. (See Figure 2).

Model	Door Style	Minimum Height	Maximum Height
VRUI5240	(G)	33 ¾" (85.7 cm)	34 ¾" (88.3 cm)
VBUI5150			
VBUI5240			

Table A

INSTALLING YOUR APPLIANCE

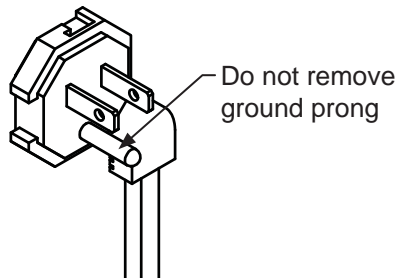


Figure 3

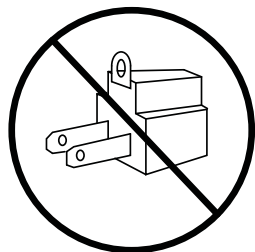


Figure 4

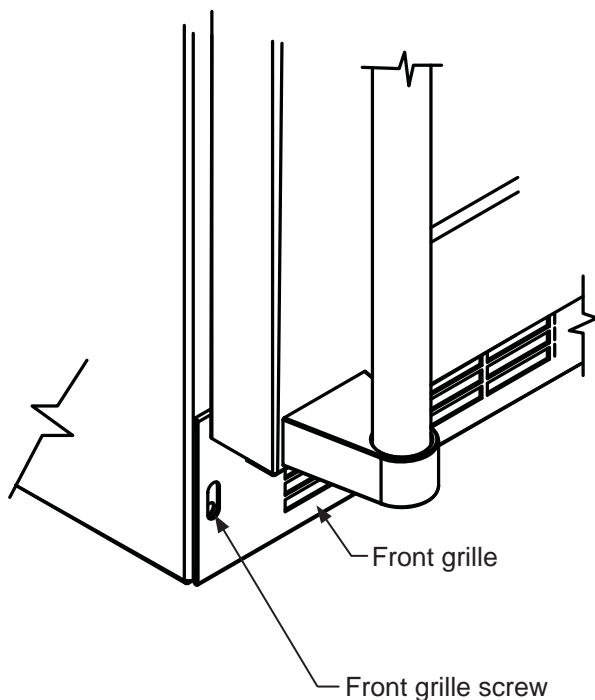


Figure 5

WARNING

Electrical Shock Hazard

- Do not use an extension cord with this appliance. They can be hazardous and can degrade product performance.
- This appliance should not, under any circumstances, be installed to an un-grounded electrical supply.
- Do not remove the grounding prong from the power cord. (See Figure 3).
- Do not use an adapter. (See Figure 4).
- Do not splash or spray water from a hose on the appliance. Doing so may cause an electrical shock, which may result in severe injury or death.

Electrical Connection

A grounded 115 volt, 15 amp dedicated circuit is required.

This product is factory equipped with a power supply cord that has a three-pronged, grounded plug. It must be plugged into a mating grounding type receptacle in accordance with the National Electrical Code and applicable local codes and ordinances (see Figure 6). If the circuit does not have a grounding type receptacle, it is the responsibility and obligation of the customer to provide the proper power supply. The third ground prong should not, under any circumstances, be cut or removed.

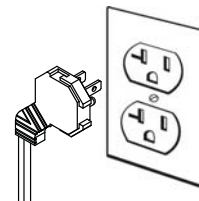


Figure 6

NOTE

Ground Fault Circuit Interrupters (GFCI) are prone to nuisance tripping which will cause the appliance to shut down. GFCI's are generally not used on circuits with power equipment that must run unattended for long periods of time, unless required to meet local building codes and ordinances.

PRODUCT DIMENSIONS

MODEL	ROUGH-IN OPENING DIMENSIONS			CABINET DIMENSIONS					
	"A"	"B"	"C"	"D"	"E"	"F"	"G"	"H"	"J"
VBUI5150	15" (38.1 cm)	**34" to 35" (86.4 to 88.9 cm)	*	14 7/8" (37.8 cm)	33 3/4" to 34 3/4" (85.7 to 88.3 cm)	23 23/32" (60.2 cm)	26 7/32" (66.6 cm)	37 13/32" (95 cm)	17 7/16" (44.3 cm)
VRUI5240 VBUI5240	24" (61 cm)	**34" to 35" (86.4 to 88.9 cm)	*	23 7/8" (60.7 cm)	33 3/4" to 34 3/4" (85.7 to 88.3 cm)	23 23/32" (60.2 cm)	26 7/32" (66.6 cm)	46 13/32" (117.9 cm)	26 7/16" (67.2 cm)

* Depth dimension of rough-in opening may vary depending on each individual installation. To recess entire door "F" dimension plus 1" (2.5 cm) for thickness of power cord plug is required.

** Minimum rough-in opening required is to be larger than the adjusted height of the cabinet.

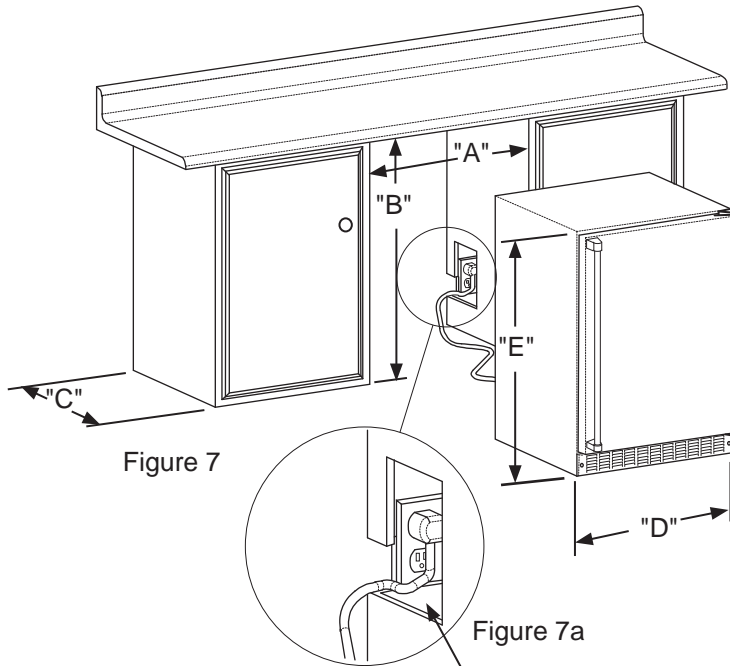


Figure 7

Figure 7a

If necessary to gain clearance inside the rough-in opening a hole can be cut through the adjacent cabinet and the power cord routed through this hole to a power outlet. Another way to increase the available opening depth is to recess the power outlet into the rear wall to gain the thickness of the power cord plug. Not all recessed outlet boxes will work for this application as they are too narrow, but a recessed outlet box equivalent to Arlington #DVFR1W is recommended for this application, (see Figure 8).



Figure 8

PRODUCT DIMENSIONS

PRODUCT DATA		
MODEL	ELECTRICAL REQUIREMENTS #	PRODUCT WEIGHT
VBUI5150	115V/60HZ/15A	105 lbs (47.6 kg)
VRUI5240 VBUI5240	115V/60Hz/15A	140 lbs (63.6 kg)

A grounded 15 amp dedicated circuit is required. Follow all local building codes when installing electrical and appliance.

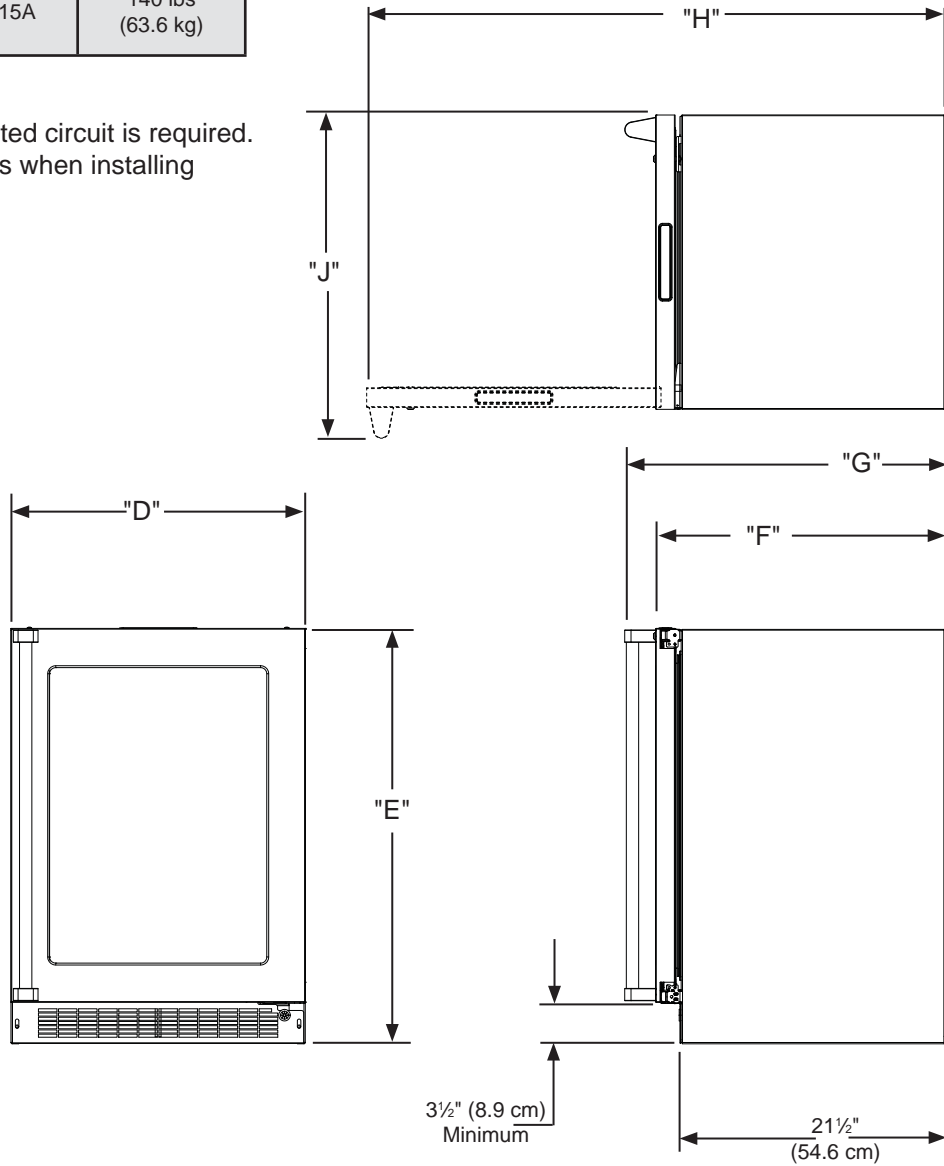
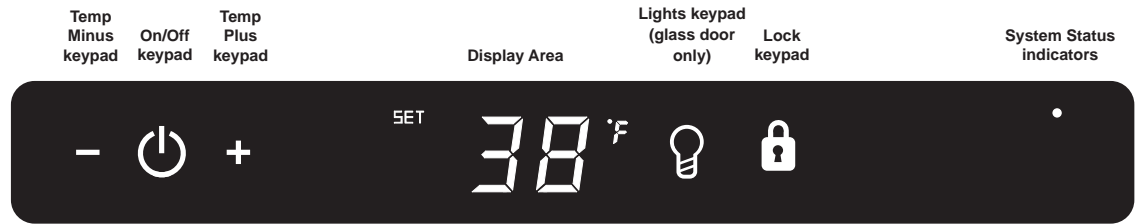


Figure 9

USING YOUR ELECTRONIC CONTROL

Figure 10
Electronic single
zone control



Starting your appliance:

Plug the appliance power cord into a 115 volt wall outlet. Your appliance is shipped from the factory in the "On" position and will begin start-up of cooling as soon as power is supplied. If the appliance does not start, confirm that the wall outlet has power, and that the control is in the "On" position, (See "Turning your appliance On and Off" below).

The control display is covered with a clear plastic film. This film may be removed by carefully lifting the film at a corner.

On initial power up, the control display will indicate a "Power Failure" alarm. This is a normal condition as the appliance was powered-up at the factory for quality inspection and then removed from power. A momentary press of the "On/Off" keypad will reset this alarm condition. (See Alarms section on page 10).

The sleep mode can be disabled if you prefer to have the display on continuously. Press and hold the "Lock" keypad until the display goes past "Loc" and reads "nSL". To enable the sleep mode, repeat the instruction, again going past "Loc" until the display reads "SLP".



Turning your appliance ON and OFF:

If the appliance is "On", (and out of sleep mode) the temperature will be shown in the display area of the control. To turn the appliance "Off", press and hold the "On/Off" keypad for 4-seconds. "OFF" will now be displayed on the control.



To turn the appliance "On", press and hold the "On/Off" keypad for 4-seconds.

Sleep mode:

If no keypads are pressed for 60 seconds, the display will enter sleep mode to conserve power. The control panel will go dark with the exception of the system status "OK" indicator which will remain enabled. Alarm conditions will wake the display, (see alarms on page 10).

To make the following changes to the control settings (turning the appliance ON/OFF, adjusting the temperature, changing the interior lights, and activating vacation mode), the control must be awake.

To wake the display press any keypad. A confirm tone will sound, and the current storage compartment temperature will be displayed.



Interior display lighting: (Glass door models only) Your appliance is equipped with a dual light level display lighting feature. With the control out of sleep mode press the "Light" keypad once to activate the interior lighting display feature at full illumination. A confirmation tone will sound, and the light bulb "Icon" will illuminate. Pressing the "Light" keypad a 2nd time will dim the lighting to 50%. A 3rd press will deactivate the display lighting feature. The display lighting will automatically deactivate after 4-hours.

USING YOUR ELECTRONIC CONTROL



Adjusting the temperature:

To set or check the set-point temperature (with the control out of sleep mode), press the "-" or "+" keypads. "SET" will be indicated on the user interface panel and the current set-point temperature will display and flash. Subsequent presses of the "-" or "+" keypads will adjust the temperature colder or warmer respectively. When you have reached your desired set-point temperature, press the "On/Off" keypad to accept, or do nothing and the "Set" mode will time-out in 10-seconds accepting the displayed temperature as the new set-point.

The available set-point temperature range for your appliance is 34°F (1.2°C) to 42°F (5.7°C). If you attempt to adjust the temperature outside of this range you will receive an audible notification.

When initially loading your product with warm contents, it may take up to 48-hours for the storage compartment temperature to stabilize.

When making temperature set-point changes, it may take up to 24-hours for the stored contents to stabilize at your new set-point temperature.

Factors that affect the storage compartment stabilized temperature:

- Changes to temperature setting.
- Room temperature changes.
- Temperature of stored contents.
 - Loading warm contents.
 - Cold content load will delay the change to a warmer set-point temperature.
 - Warm content load will delay the change to a colder set-point temperature.
- Usage, (number and duration of the door openings).
- Use of the storage compartment display lighting, (glass door product only).
- Installation of the appliance in direct sunlight or next to a heat source.

Temperature mode:


The temperature mode is preset from the factory in Fahrenheit (°F) but you have the option to change it to Centigrade (°C). To change the mode, press and hold the "-" keypad, while pressing the "+" keypad, then release the "-" keypad. The temperature will now be displayed in Centigrade (°C). Repeat the procedure to change the temperature mode back to Fahrenheit (°F).



Control lock:



The control panel can be locked to avoid unintentional changes. To lock the control, press and hold the "Lock" keypad until the display reads "Loc" then immediately release your finger from the keypad. The lock icon will flash 3-times and then continuously illuminate. When the control panel is locked, only the Lock keypad, System Status OK indicator, and the Alarm indicator are active. To un-lock the control panel, repeat this instruction until the display reads "nLc", then immediately release your finger from the keypad.

NOTE

 If the control lock is active (illuminated lock icon) the control will have to be unlocked before using the keypad to reset an alarm condition. See page 9 (Control Lock) for instructions for unlocking the control.

Temperature Sensor Error Codes

The temperature sensors are monitored continuously. Any OPEN or SHORTED circuit condition will initiate an ERROR CODE as listed below:

Temperature Sensor Error Codes			
Sensor	Displayed Code	Error Description	Action to Take
Single Zone Temperature Sensor		Failed temperature sensor in the single zone compartment. Can lead to unwanted storage temperatures and/or spoiled perishable goods.	Call service to have the temperature sensor replaced and remove all perishable goods from compartment to prevent spoilage.
Defrost Sensor		Failed defrost temperature sensor. Causes unit to not defrost properly and can create large frost build-up. Can lead to water damage to the unit and surrounding floor.	Unplug the power cord immediately and call service to have the defrost sensor replaced.

USING YOUR ELECTRONIC CONTROL

Alarms:

The control will alert you to conditions that could adversely affect the performance of the appliance.



- **Door ajar** - If the door is open, or not closed properly, for more than 5-minutes the System Status OK indicator will turn-off, the "Door Ajar" indicator will flash, and a tone will sound every 60 seconds. Additionally, an "ALARM RESET" indicator will be displayed below the "On/Off" keypad.

NOTE

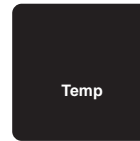


The audible alarm can be muted, for each occurrence, by pressing the lock keypad.

This alarm condition can be reset by closing the door or momentarily pressing the "On/Off" keypad, (i.e.-if you are cleaning the storage compartment, etc.). The alarm will recur in 5-minutes if the alarm condition persists.



- **Power failure** - If power to the appliance is interrupted the System Status indicator will turn-off and the "Power Failure" indicator will flash. Additionally, an "ALARM RESET" indicator will be displayed below the "On/Off" keypad. No audible tone will sound. This alarm condition can be reset by momentarily pressing the "On/Off" keypad. If this alarm occurs, it is recommended that you check the condition of any perishables, even if the appliance is operating normally and the temperature has recovered, as prolonged power outages could result in excessive temperature excursions which may spoil perishables.



- **Temperature alarm** - If the storage compartment temperature deviates excessively from your set-point temperature for an extended period of time, the "TEMP" indicator will flash, and an audible tone will sound every 60 seconds. Additionally, an "ALARM RESET" indicator will be displayed below the "ON/OFF" keypad.

NOTE

After a high temperature alarm condition, check all perishables to ensure they are safe for consumption.

NOTE

The temperature alarm may occur as a result of high usage or introduction of warm contents to the storage compartment. If the temperature alarm continues to occur, your unit may require service.

NOTE



The audible alarm can be muted, for each occurrence, by pressing the lock keypad.

This alarm condition can be reset by momentarily pressing the "On/Off" keypad. If this alarm occurs it is recommended that you check the condition of your stored contents, even though the appliance is operating normally and the temperature has recovered, as prolonged temperature excursions could spoil perishables.

NOTE

Door Ajar
Temp

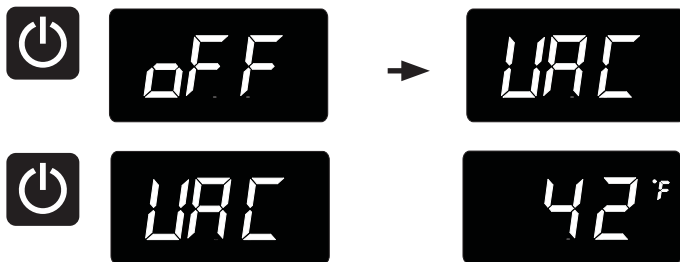
Multiple alarms are possible, i.e.- "Door Ajar" for a prolonged period may trigger a "Temp" alarm, in which case both "Door Ajar" and "Temp" indicators will activate.

USING YOUR ELECTRONIC CONTROL

Vacation mode:

This operating mode can be used to save energy during high cost energy periods, or when you won't be using your appliance for an extended period of time by disabling the lights, alarm tones, and keypad entry tones. Vacation mode also serves as a Sabbath mode, disabling functions and its controls in accordance with the weekly Sabbath and religious holidays observed within the Orthodox Jewish community. When used as Sabbath mode, you may open or close the door at any time to access contents without concern of directly turning on or off any lights, digital read-outs, solenoids, fans, valves, compressor, icons, tones, or alarms.

When activated, the display, alarm indicators and tones, keypad touch tones, interior lights, and all options are disabled. All keypad functions are disabled, with the exception of the "On/Off" keypad which is required to exit Vacation-mode. Storage compartment temperatures are monitored and controlled at the settings prior to entering Vacation mode.



To enter Vacation Mode (with the control out of sleep mode), press and hold the "On/Off" keypad until the display goes past "OFF" and reads "VAC". The display will flash "VAC" 3-times to acknowledge your request, then will display "VAC" continuously until Vacation mode is exited. A power outage will not exit Vacation mode, exiting can only be accomplished manually. To exit Vacation mode and return to normal operation, press and hold the "On/Off" keypad until the control displays the temperature.

SHELVING CONFIGURATIONS

Loading Tips and Suggestions

Your appliance is equipped with a cantilever shelf system which provides maximum adjust ability and customizing of the shelving arrangements listed below.

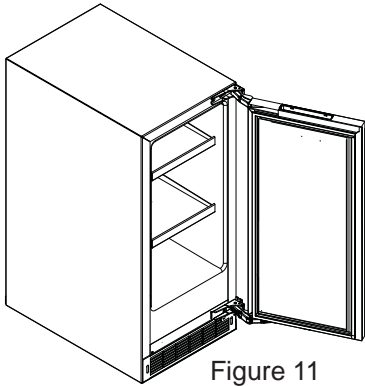


Figure 11

VBUI5150 Beverage Center:

15" (38.1 cm) Wide Models:

Shown with a glass door. Figure 11.

- (2) frame and flat glass shelf. (See Figure 14).

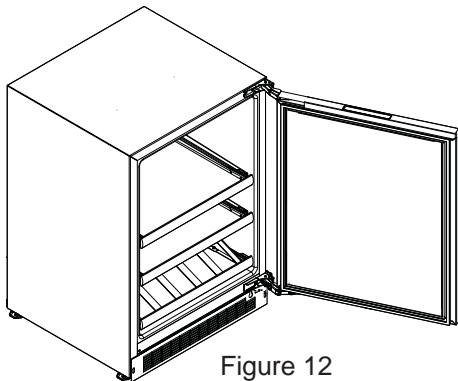


Figure 12

VBUI5240 Beverage Center:

24" (61 cm) Wide Models:

Shown with a glass overlay door. Figure 12.

- (2) wine cutout and flat glass cantilever shelf. (See Figure 15).
- (1) 5 bottle rollout display rack with vibration dampening mat (See Figure 16).

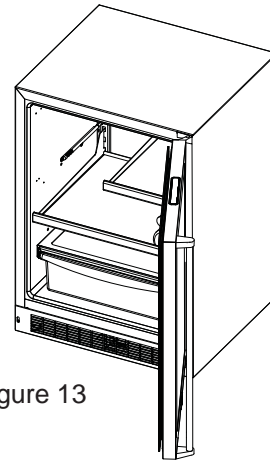


Figure 13

VRUI5240 Refrigerator:

24" (61 cm) Wide Models:

Shown with a glass door. Figure 13.

- (1) half width flat glass cantilever shelf. (See Figure 14).
- (1) wine cutout and flat glass cantilever shelf. (See Figure 15).
- (1) frame and flat glass crisper cover.
- (1) roll-out crisper pan

To remove the crisper :

Pull out until it stops. Lift up on the front of the pan, and remove it from the frame.

SHELVING CONFIGURATIONS

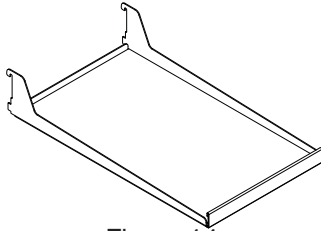


Figure 14
Frame and flat glass shelf
with trim

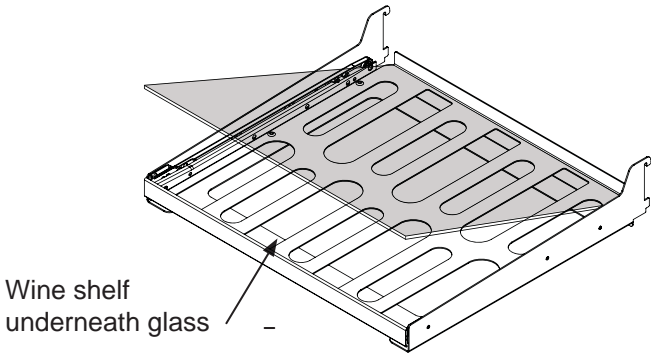


Figure 15
Wine cutout and flat glass shelf with vibration dampening
mat, the glass can be removed for wine storage.

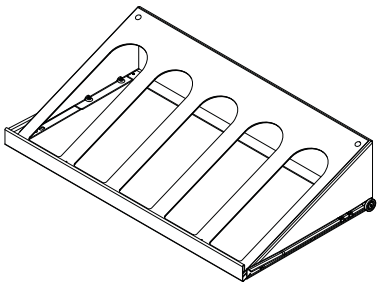


Figure 16
5 bottle rollout display rack with vibration dampening mat

SHELVING CONFIGURATIONS



CAUTION

Make sure your cantilever shelf is secure on the shelf supports by pressing down on the shelf before loading the shelf.

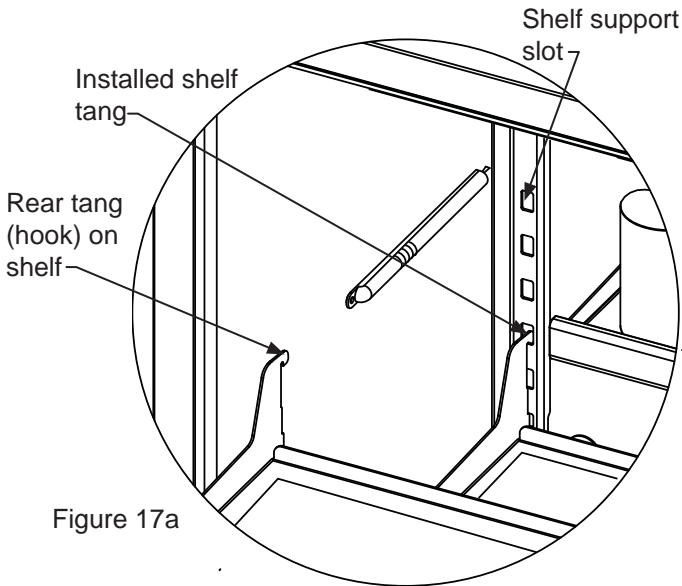


Figure 17a

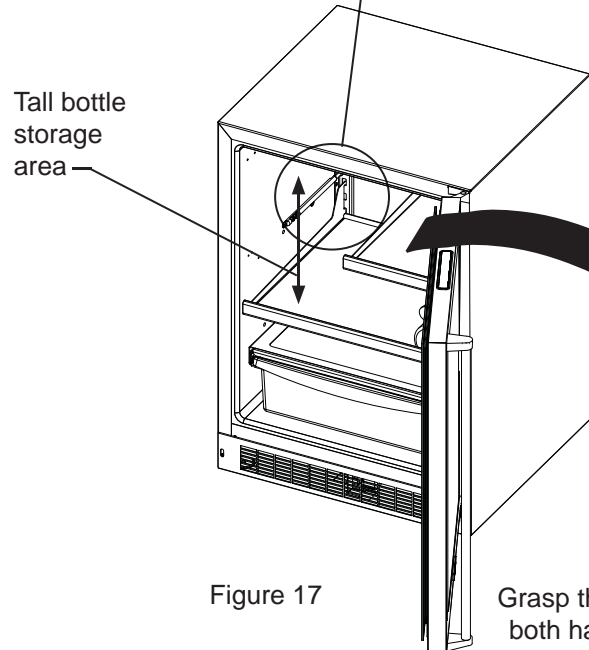


Figure 17

Grasp the shelf by the front with both hands and rotate the front of the shelf up, then lift the shelf up and remove the shelf from the shelf ladders.

To Add or Remove a Shelf

Remove stored product from the shelf. Do not try to remove a loaded shelf from the appliance. Grasp the shelf front with both hands, rotate the front upward and lift out. (See Figure 17b). To install a shelf insert the shelf in the appliance and insert the top hooks into the shelf support slots and drop the shelf down so the hooks drop over the bottom of the slots.

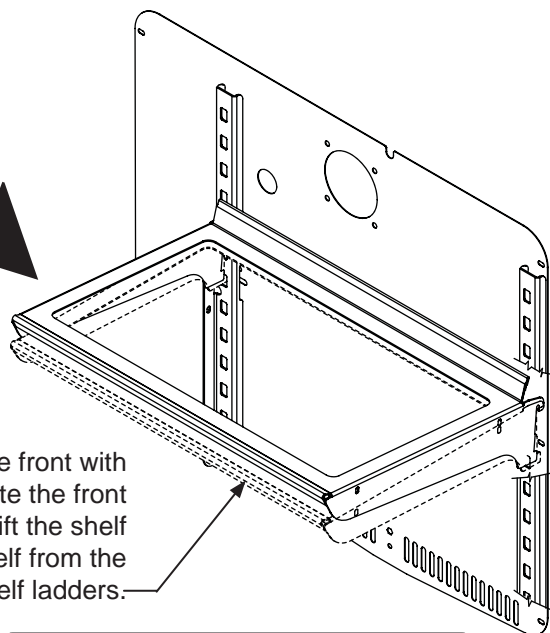


Figure 17b



CAUTION

Never try to move a loaded shelf, remove everything from the shelf before moving. Use both hands when moving a shelf.

CARE AND CLEANING AND ENERGY SAVING TIPS

Front Grille

Be sure that nothing obstructs the required air flow openings in front of the cabinet. At least once or twice a year, brush or vacuum lint and dirt from the front grille area (see page 4).



SHOCK HAZARD: Disconnect electrical power from the appliance before cleaning with soap and water.

Cabinet

The painted cabinet can be washed with either a mild soap and water and thoroughly rinsed with clear water. NEVER use abrasive scouring cleaners.

Interior

Wash interior compartment with mild soap and water. Do NOT use an abrasive cleaner, solvent, polish cleaner or undiluted detergent.

Care of Appliance

1. Avoid leaning on the door, you may bend the door hinges or tip the appliance.
2. Exercise caution when sweeping, vacuuming or mopping near the front of the appliance. Damage to the grille can occur.
3. Periodically clean the interior of the appliance as needed.
4. Periodically check and/or clean the front grille as needed.

In the Event of a Power Failure

If a power failure occurs, try to correct it as soon as possible. Minimize the number of door openings while the power is off so as not to adversely affect the appliance's temperature.

Light assembly replacement

All models use an LED to illuminate the interior of the appliance. This component is very reliable, but should it fail, contact a qualified service technician for replacement of the LED.

The following suggestions will minimize the cost of operating your refrigeration appliance.

1. Do not install your appliance next to a hot appliance (cooker, dishwasher, etc.), heating air duct, or other heat sources.
2. Install product out of direct sunlight.
3. Ensure the front grille vents at front of appliance beneath door are not obstructed and kept clean to allow ventilation for the refrigeration system to expel heat.
4. Plug your appliance into a dedicated power circuit. (Not shared with other appliances).
5. When initially loading your new product, or whenever large quantities of warm contents are placed within refrigerated storage compartment, minimize door openings for the next 12 hours to allow contents to pull down to compartment set temperature.
6. Maintaining a relatively full storage compartment will require less appliance run time than an empty compartment.
7. Ensure door closing is not obstructed by contents stored in your appliance.
8. Allow hot items to reach room temperature before placing in product.
9. Minimize door openings and duration of door openings.
10. Use the warmest temperature control set temperature that meets your personal preference and provides the proper storage for your stored contents.
11. When on vacation or away from home for extended periods, set the appliance to warmest acceptable temperature for the stored contents.
12. Set the control to the "off" position if cleaning the appliance requires the door to be open for an extended period of time.
13. For wine storage products:
When serving temperatures are not required, return the compartment(s) set temperature to the ideal red and white wine long term storage temperature of 13°C / 55°F.

SERVICE INFORMATION

If service is required, call your authorized service agency.

Have the following information readily available:

- Model number
- Serial number
- Date purchased
- Name of dealer from whom purchased

Clearly describe the problem that you are having. If you are unable to obtain the name of an authorized service agency, or if you continue to have service problems, contact Viking Range, LLC at (888) 845-4641 or write to:

**VIKING RANGE, LLC
PREFERRED SERVICE
111 Front Street
Greenwood, Mississippi 38930 USA**

Record the information indicated below. You will need it if service is ever required. The serial number and model numbers for your refrigerator are located on the upper wall, behind the lighting:

Model No. _____

Serial No. _____

Date of Purchase _____

Date Installed _____

Dealer's Name _____

Address _____

If service requires installation of parts, use only authorized parts to insure protection under the warranty.

Keep this manual for future reference.

TROUBLESHOOTING

Before You Call for Service

If the appliance appears to be malfunctioning, read through this manual first. If the problem persists, check the troubleshooting guide below. Locate the problem in the guide and refer to the cause and its remedy before calling for service. The problem may be something very simple that can be solved without a service call. However, it may be required to contact your dealer or a qualified service technician.



CAUTION

In the unlikely event you lose cooling in your unit, **do not unplug the product from the electric supply**, but do call a qualified service technician immediately. It is possible that the loss of cooling capacity is a result of excessive frost build-up on the evaporator cooling coil. In this case, removing power to the unit will result in the melting of this excessive quantity of ice, which could generate melt water that exceeds the capacity of the defrost drain system and could result in water damage to your home. The end-user will be ultimately responsible for any water damage caused by prematurely turning the unit off without appropriately managing the excess water run-off.



WARNING

Electrocution Hazard

- Never attempt to repair or perform maintenance on the appliance until the main electrical power has been disconnected. Turning the appliance control "OFF" does not remove electrical power from the units wiring.
- Replace all parts and panels before operating.

Problem	Possible Cause	Remedy
Appliance not cold enough (See "Adjusting the temperature" on page 9)	<ul style="list-style-type: none"> • Control set too warm • Content temperature not stabilized. • Excessive usage or prolonged door openings. • Airflow to front grille blocked. • Door gasket not sealing properly. 	<ul style="list-style-type: none"> • Adjust temperature colder. Allow 24 hours for temperature to stabilize. • Allow temperature to stabilize for at least 24 hours. • Airflow must not be obstructed to front grille. See "clearances" on page 4. • Check door alignment and/or replace door gasket.
Appliance too cold (See "Adjusting the Temperature" on page 9)	<ul style="list-style-type: none"> • Control set too cold • Door gasket not sealing properly. 	<ul style="list-style-type: none"> • Adjust temperature warmer. Allow 24 hours for temperature to stabilize. • Check door alignment and/or replace door gasket.
No interior light.	<ul style="list-style-type: none"> • Failed LED light assembly or light switch. 	<ul style="list-style-type: none"> • Contact a qualified service technician.
Light will not go out when door is closed	<ul style="list-style-type: none"> • Display light is turned on. (Glass door models only.) • Door not activating light switch. • Failed light switch 	<ul style="list-style-type: none"> • Turn off display light, shut door. • Appliance not level, level appliance, (See page 4, "leveling legs") • Contact a qualified service technician.
Noise or Vibration	<ul style="list-style-type: none"> • Appliance not level • Fan hitting tube obstruction. 	<ul style="list-style-type: none"> • Level appliance, see "Leveling Legs" on page 4. • Contact a qualified service technician.
Appliance will not run.	<ul style="list-style-type: none"> • Appliance turned off • Power cord not plugged in. • No power at outlet. 	<ul style="list-style-type: none"> • Turn appliance on. See "Starting your appliance" on page 8. • Plug in power cord. • Check house circuit.

HOUSEHOLD PRODUCT WARRANTY

UNDERCOUNTER REFRIGERATOR / BEVERAGE CENTER WARRANTY

TWO YEAR FULL WARRANTY

Undercounter refrigerators / Beverage Centers and all of their component parts, **except as detailed below*†**, are warranted to be free from defective materials or workmanship in normal residential use for a period of two (2) years from the date of original retail purchase. Viking Range, LLC, warrantor, agrees to repair or replace, at its option, any part which fails or is found to be defective during the warranty period.

***FULL NINETY (90) DAY COSMETIC WARRANTY:** Product is warranted to be free from cosmetic defects in materials or workmanship (such as scratches on stainless steel, paint/porcelain blemishes, etc.) for a period of ninety (90) days from the date of original retail purchase or closing date for new construction, whichever period is longer. Any defects must be reported to the selling dealer within ninety (90) days from date of original retail purchase. Viking Range, LLC uses high quality processes and materials available to produce all color finishes. However, slight color variation may be noticed because of the inherent differences in painted parts and porcelain parts as well as differences in kitchen lighting, product locations, and other factors. Therefore, this warranty does not apply to color variation attributable to such factors.

†FULL NINETY (90) DAY WARRANTY IN "RESIDENTIAL PLUS" APPLICATIONS: This full warranty applies to applications where use of the product extends beyond normal residential use, but the warranty period for products used in such applications is ninety (90) days. Examples of applications covered by this warranty are bed and breakfasts, fire stations, private clubs, churches, yachts, etc. Under this "Residential Plus" warranty, the product, its components and accessories are warranted to be free from defective material or workmanship for a period of ninety (90) days from the date of original retail purchase. This warranty excludes use of the product in all commercial locations such as restaurants, food service locations and institutional food service locations.

SIX YEAR FULL WARRANTY ON SEALED REFRIGERATION PARTS AS LISTED

Any sealed refrigeration system component, as listed below, is warranted to be free from defective materials or workmanship in normal household use during the third through the sixth year from the date of original retail purchase. Viking Range, LLC, warrantor, agrees to repair or replace, at its option, any part which fails or is found to be defective during the warranty period.

Sealed Refrigeration System Components: Compressor, Evaporator, Condenser, Connecting Tubing, Dryer/Strainer

TWELVE YEAR LIMITED WARRANTY ON SEALED REFRIGERATION PARTS AS LISTED

Any sealed refrigeration system component, as listed above, which fails due to defective materials or workmanship in normal household use during the seventh through the twelfth year from the date of original retail purchase will be repaired or replaced, free of charge for the part itself, with the owner paying all other costs, including labor.

TERMS AND CONDITIONS

This warranty extends to the original purchaser of the product warranted hereunder and to each transferee owner of the product during the term of the warranty and applies to products purchased and located in the United States, Canada, Mexico and the Caribbean (excluding Cuba, Dominican Republic, and Haiti). Products must be purchased in the country where service is requested. If the product or one of its component parts contains a defect or malfunction during the full warranty period after a reasonable number of attempts by the warrantor to remedy the defect or malfunction, the owner is entitled to either a refund or replacement of the product or its component part or parts. Replacement of a component part includes its free installation, except as specified under the limited warranty. Under the terms of this warranty, service must be performed by a factory authorized Viking Range, LLC service agent or representative. Service will be provided during normal business hours, and labor performed at overtime or premium rates shall not be covered by this warranty.

Owner shall be responsible for proper installation, providing reasonable and necessary maintenance, providing proof of purchase upon request, and making the appliance reasonably accessible for service. The return of the Owner Registration Card is not a condition of warranty coverage. You should, however, return the Owner Registration Card so that Viking Range, LLC can contact you should any question of safety arise which could affect you.

This warranty gives you specific legal rights, and you may also have other rights which may vary from jurisdiction to jurisdiction.

WHAT IS NOT COVERED BY THIS WARRANTY: This warranty shall not apply to damage resulting from abuse, failure to provide reasonable and necessary maintenance, accident, delivery, negligence, natural disaster, loss of electrical power to the product for any reason, alteration, outdoor use, improper installation, improper operation, or repair or service of the product by anyone other than an authorized Viking Range, LLC service agency or representative. This warranty does not apply to commercial usage.

LIMITATION OF REMEDIES AND DURATION OF IMPLIED WARRANTY

OWNER'S SOLE AND EXCLUSIVE REMEDY FOR A CLAIM OF ANY KIND WITH RESPECT TO THIS PRODUCT SHALL BE THE REMEDIES SET FORTH ABOVE. VIKING RANGE, LLC IS NOT RESPONSIBLE FOR CONSEQUENTIAL OR INCIDENTAL DAMAGE, INCLUDING BUT NOT LIMITED TO FOOD OR MEDICINE LOSS, DUE TO PRODUCT FAILURE, WHETHER ARISING OUT OF BREACH OF WARRANTY, BREACH OF CONTRACT OR OTHERWISE. Some jurisdictions do not allow the exclusion or limitation of incidental or consequential damages, so the above limitation or exclusions may not apply to you. **ANY IMPLIED WARRANTIES OF MERCHANTABILITY OR FITNESS FOR A PARTICULAR PURPOSE APPLICABLE TO THIS PRODUCT ARE LIMITED IN DURATION TO THE PERIOD OF COVERAGE OF THE APPLICABLE EXPRESS WRITTEN LIMITED WARRANTIES SET FORTH ABOVE.** Some states do not allow limitations on how long an implied warranty lasts, so the above limitation may not apply to you.

WARRANTY SERVICE

To obtain warranty service, contact an authorized Viking Range, LLC service agent, or Viking Range, LLC, 111 Front Street, Greenwood, Mississippi 38930, (888) 845-4641. Provide model and serial number and date of original purchase or closing date for a new construction. For the name of your nearest authorized Viking Range, LLC service agency, call Viking Range, LLC.

IMPORTANT: Retain proof of original purchase to establish warranty period.

Specifications subject to change without notice.

Viking Range, LLC
111 Front Street
Greenwood, Mississippi 38930 USA
(662) 455-1200

For product information,
call 1-888-(845-4641)
or visit our web site at vikingrange.com

Install / Use & Care MANUAL

FR-D'installation/d'utilisation et d'entretien

ES-De instalación/operación y mantenimiento

5 SERIES

Professional Undercounter Refrigerator / Beverage Center
Réfrigérateur de comptoir/ Stockage de boissons Professionnel
Refrigerador bajo mostrador / Centro de bebidas Profesional

VRUI5240

VBUI5150

VBUI5240

CONTENU

Contenu :

Informations de sécurité.....	2
Déballage de votre appareil	3
Enregistrement de la garantie	3
Installation de votre appareil	4
Dégagements par rapport à l'armoire	4
Mise à niveau de l'appareil	4
Raccordement électrique.....	5
Dimensions du produit.....	6
Utilisation de votre commande électronique	8
Démarrage de votre appareil	8
Mode veille	8
Mise en marche et arrêt de votre appareil	8
Réglage de la température	9
Éclairage intérieur d'exposition.....	9
Mode température	9
Verrouillage des commandes	9
Codes d'erreur des capteurs de température	10
Alertes.....	10
Porte entrouverte	10
Panne de secteur	11
Alerte de température	11
Mode vacances	11
Configurations de étagères	12
Entretien et nettoyage	15
Conseils pour l'économie d'énergie	15
Obtention de service	16
Dépannage.....	17
Garantie.....	18

Importantes instructions de sécurité

Les avertissements et les instructions de sécurité qui apparaissent dans ce guide n'ont pas la prétention de couvrir toutes les conditions et situations possibles pouvant arriver. Il faut faire preuve de bon sens, de précautions et de soins, pour installer, utiliser ou entretenir cet appareil.

Reconnaissance des symboles, des mots et des étiquettes concernant la sécurité.



AVERTISSEMENT

AVERTISSEMENT - Risque possible de décès ou de blessure grave si vous ne suivez pas les instructions.



ATTENTION

ATTENTION - Risques ou pratiques dangereuses pouvant entraîner des blessures individuelles, des dégâts matériels ou des dommages au produit.

REMARQUE

REMARQUE - Information importante pour réaliser une installation et une utilisation sans problèmes.



AVERTISSEMENT

Avvertissements de la proposition 65 de l'État de Californie
: Ce produit contient au moins un produit chimique connu par l'État de Californie pour être à l'origine de cancers.



AVERTISSEMENT

Avvertissements de la proposition 65 de l'État de Californie
: Ce produit contient au moins un produit chimique connu par l'État de Californie pour être à l'origine de malformations et autres déficiences de naissance.

DÉBALLAGE DE VOTRE APPAREIL



AVERTISSEMENT

AVERTISSEMENT RISQUE DE POIDS EXCESSIF

Utilisez deux personnes ou plus pour déplacer le produit.
Sinon vous pourriez vous blesser.

Enlèvement de l'emballage intérieur

Votre réfrigérateur a été emballé pour l'expédition avec toutes les pièces pouvant être endommagées par le mouvement solidement attachées. Enlevez les matériaux d'emballage intérieur et toute bande maintenant des composants intérieurs en place. Le manuel de l'utilisateur est envoyé à l'intérieur de l'appareil dans un sac en plastique, accompagné de la carte d'enregistrement de la garantie, et d'autres articles accessoires.

Important

Conservez votre carton d'emballage jusqu'à ce que votre réfrigérateur ait été complètement inspecté et trouvé en bon état. S'il présentait des dommages, cet emballage serait nécessaire comme preuve qu'ils sont survenus durant le transit. Ensuite veuillez mettre tous ces matériaux d'emballage au rebut d'une façon responsable.



AVERTISSEMENT

AVERTISSEMENT - Jetez bien les sacs en plastique qui représentent un risque de suffocation.

Note pour le client

Cette marchandise a été soigneusement et complètement inspectée avant de quitter notre usine. La responsabilité pour sa livraison sûre a été assumée par le revendeur à l'acceptation de cette expédition. Les réclamations pour perte ou dommages survenus durant le transit sont à adresser au revendeur.

REMARQUE

NE RENVOYEZ PAS DE MARCHANDISE ENDOMMAGÉE AU FABRICANT – DÉPOSEZ UNE RÉCLAMATION AUPRÈS DU REVENDEUR.



ATTENTION

Si l'appareil a été livré, manipulé ou entreposé dans une position autre que debout, pendant une durée quelconque, laissez-le reposer debout pendant au moins 24 heures avant de la brancher électriquement. Cela assurera le retour de l'huile au compresseur. Un branchement immédiat de l'appareil pourrait endommager des parties internes.

Enregistrement de la garantie

Il est important que vous postiez votre carte de garantie immédiatement après avoir pris livraison de votre réfrigérateur.

Les informations suivantes seront nécessaires au moment de l'enregistrement de votre appareil :

- Numéro de service
- Numéro de série
- Date d'achat
- Nom et adresse du revendeur

Enregistrement en ligne
disponible sur
www.vikingrange.com

Le numéro de service et le numéro de série se trouvent sur la plaque signalétique qui est située à l'intérieur de l'armoire, du côté gauche près du haut (Voyez la Figure 1).

VIKING RANGE, LLC	
GREENWOOD, MS 38930	
MODEL NO.	<input type="text"/>
SERIAL NO.	<input type="text" value="XXXXXXXXXXXX"/>
HZ <input type="text"/>	VOLTS <input type="text"/>
AMPS <input type="text"/>	R134A <input type="text"/>
oz	
TEST PRESSURE 140 PSI LOW SIDE 300 PSI HIGH SIDE	

Figure 1



AVERTISSEMENT

AVERTISSEMENT - Contribuez à éviter des tragédies

L'emprisonnement d'enfants et leur asphyxie ne sont pas des problèmes du passé. Des épaves de réfrigérateurs abandonnés continuent de présenter un danger - même en restant dehors pour «juste quelques heures».

Si vous devez vous débarrasser de votre vieil appareil de refroidissement, veuillez suivre ces instructions pour aider à éviter des accidents possibles.

Avant de jeter votre vieux réfrigérateur ou congélateur :

- Démontez ses portes ou enlevez ses tiroirs.
- Laissez les étagères en place de façon à ce que des enfants ne puissent pas facilement monter dedans.

INSTALLATION DE VOTRE APPAREIL

Choix de l'emplacement

Un bon emplacement assurera une performance de pointe pour votre appareil. Nous recommandons un endroit où l'appareil ne sera pas exposé directement au rayonnement solaire et restera écarté de sources de chauffage. Pour assurer que les performances de votre produit soient au niveau de ses spécifications, la plage de températures recommandée au lieu d'installation sera de 55 à 100°F (13 à 38 °C).

Dégagements par rapport à l'armoire

Une ventilation est nécessaire depuis la section frontale du bas de l'armoire. Gardez cette zone libre et exempte de toutes obstructions. Des meubles et comptoirs peuvent être installés autour de l'unité de façon adjacente dans la mesure où sa grille frontale restera non obstruée. Les modèles à revêtement de porte avec charnières articulées sont prévus pour des applications encastrées uniquement.

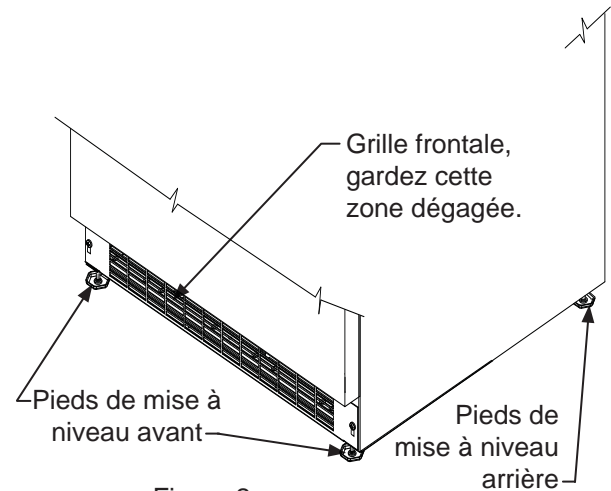


Figure 2

Pieds de mise à niveau

Des pieds réglables aux angles avant et arrière de l'armoire doivent être ajustés pour qu'elle soit fermement positionnée au sol et bien d'aplomb, d'un côté à l'autre et d'avant en arrière. La hauteur totale de votre appareil peut être ajustée entre le minimum (en vissant les pieds de mise à niveau, CW ↻) et le maximum (en dévissant les pieds de mise à niveau CCW ↻) des dimensions comme c'est montré au Tableau «A».

Pour régler ces pieds de mise à niveau, placez l'appareil sur une surface solide, en protégeant le sol en dessous pour ne pas le rayer. Avec l'aide d'une autre personne, inclinez vers l'arrière de l'appareil pour accéder aux pieds de mise à niveau de l'avant. Levez ou abaissez ces pieds à la hauteur requise en les tournant. Répétez la procédure pour les pieds arrière en inclinant le réfrigérateur vers l'avant en faisant attention. Sur une surface plane, vérifiez le niveau de l'appareil et ajustez les pieds en conséquence.

Les vis de la grille frontale peuvent être desserrées et la grille ajustée à la hauteur voulue. Quand le réglage est fait resserrez les vis de la grille frontale (Voyez la Figure 5).



Grille frontale

N'obstruez pas la grille frontale. Les ouvertures au travers de la grille frontale permettent l'écoulement de l'air par l'échangeur thermique du condenseur. Des restrictions de ce flux d'air vont augmenter la consommation d'énergie et affecter sa capacité de refroidissement. C'est pourquoi il est important que cette zone ne soit pas obstruée et soit maintenue propre. Viking Range, LLC recommande de ne pas utiliser de grilles personnalisées, car l'écoulement d'air en serait diminué (Voyez la Figure 2).

Modèle	Style de Porte	Hauteur minimum	Hauteur maximum
VRUI5240	(G)	33 ¾ po (85,7 cm)	34 ¾ po (88,3 cm)
VUBI5150			
VUBI5240			

Tableau A

INSTALLATION DE VOTRE APPAREIL

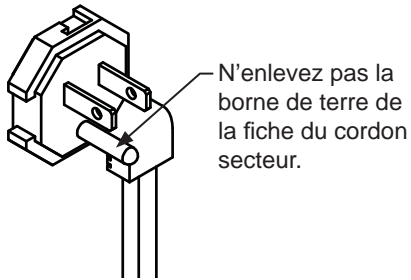


Figure 3

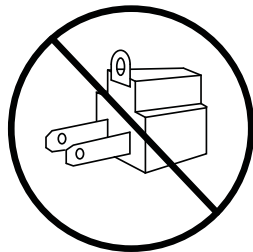


Figure 4

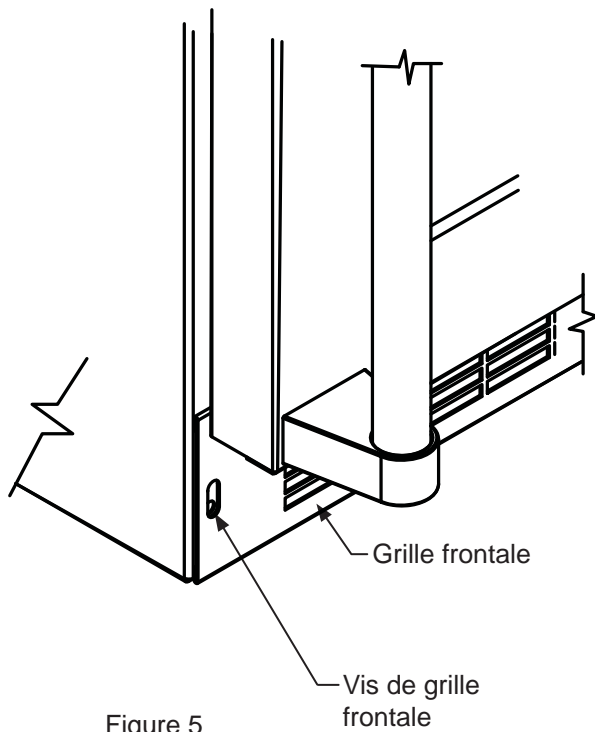


Figure 5



AVERTISSEMENT

Risque de commotion électrique

- N'utilisez pas de rallonge secteur avec cet appareil. Cela peut être dangereux et peut affecter la performance du produit.
- Cet appareil ne doit sous aucun prétexte être installé sur une alimentation électrique sans liaison de terre.
- N'enlevez pas la borne de terre de la fiche du cordon secteur. (Voyez la Figure 3).
- N'utilisez pas d'adaptateur entre fiche et prise. (Voyez la Figure 4).
- N'envoyez pas d'eau par éclaboussure ou par jet d'un tuyau sur l'appareil. Cela pourrait causer une commotion électrique, entraînant potentiellement des blessures graves voire mortelles.

Raccordement électrique

Un circuit secteur dédié en 115 V supportant 15 A est nécessaire.

Ce produit est équipé en usine d'un cordon secteur comportant une fiche avec terre à trois broches. Il faut la brancher dans une prise secteur correspondante avec terre, en conformité avec la norme électrique américaine et les normes et réglementations locales applicables (Voyez la Figure 6). Si le circuit ne comporte pas une prise avec terre, le client doit en fournir une adéquate; c'est sa responsabilité et son obligation. La troisième broche de terre ne doit en aucun cas être coupée ou enlevée.

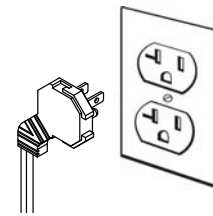


Figure 6

REMARQUE

Un disjoncteur sur détection de courant de fuite (GFCI) a tendance à provoquer des déclenchements intempestifs qui peuvent arrêter l'appareil. Ce type de protection n'est en général pas utilisé sur de l'équipement électrique qui doit tourner sans surveillance pendant de longues périodes, sauf si c'est imposé par les normes de construction et réglementations locales.

DIMENSIONS DU PRODUIT

MODÈLE	DIMENSIONS D'OUVERTURE BRUTE			DIMENSIONS D'ARMOIRE					
	«A»	«B»	«C»	«D»	«E»	«F»	«G»	«H»	«J»
VBUI5150	15 po (61 cm)	**34 po à 35 po (86.4 à 88.9 cm)	*	14 ⁷ / ₁₆ po (37.8 cm)	33 ³ / ₄ po à 34 ³ / ₄ po (85.7 à 88.3 cm)	23 ²³ / ₃₂ po (60.2 cm)	26 ⁷ / ₃₂ po (66.6 cm)	37 ¹³ / ₃₂ po (95 cm)	17 ⁷ / ₁₆ po (44.3 cm)
VRUI5240 VBUI5240	24 po (61 cm)	**34 po à 35 po (87 à 89,5 cm)	*	23 ⁷ / ₁₆ po (60.7 cm)	33 ³ / ₄ po à 34 ³ / ₄ po (85.7 à 88.3 cm)	23 ²³ / ₃₂ po (60.2 cm)	26 ⁷ / ₃₂ po (66.6 cm)	46 ¹³ / ₃₂ po (117.9 cm)	26 ⁷ / ₁₆ po (67.2 cm)

* La dimension en profondeur de l'ouverture brute peut varier selon chaque installation individuelle. Pour ne pas faire dépasser toute la porte, la dimension «F» plus 1 po (2,5 cm) pour l'épaisseur de la fiche du cordon secteur est nécessaire.

** L'ouverture brute minimale nécessaire doit être supérieure à la hauteur ajustée de l'armoire.

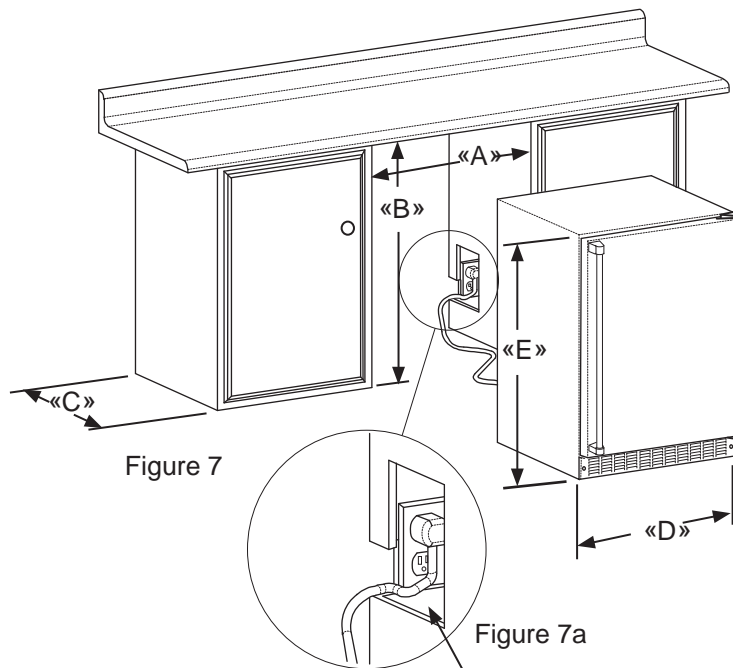


Figure 7

Figure 7a



Figure 8

S'il est nécessaire de gagner du dégagement à l'intérieur de l'ouverture brute, un trou peut être percé au travers du meuble adjacent et le cordon d'alimentation passé par ce trou jusqu'à une prise secteur. Une autre façon d'augmenter la profondeur disponible dans l'ouverture est d'encaster la prise secteur dans le mur arrière afin de gagner l'épaisseur de la fiche du cordon.

Tous les types de prises secteur encastrées ne fonctionneront pas pour cette application car elles pourraient être trop étroites, mais un modèle équivalent à l'Arlington #DVFR1W est recommandé pour cette application (Voyez la Figure 8).

DIMENSIONS DU PRODUIT

DONNÉES DE PRODUIT		
MODÈLE	BESOINS ÉLECTRIQUES #	POIDS DU PRODUIT
VBUI5150	115V/60Hz/15A	105 lb (47.6 kg)
VRUI5240 VBUI5240	115V/60Hz/15A	140 lb (63.6 kg)

Un circuit secteur dédié avec liaison de terre supportant 15 A est nécessaire. Appliquez toutes les normes de construction locales à l'installation de l'électricité et de l'appareil.

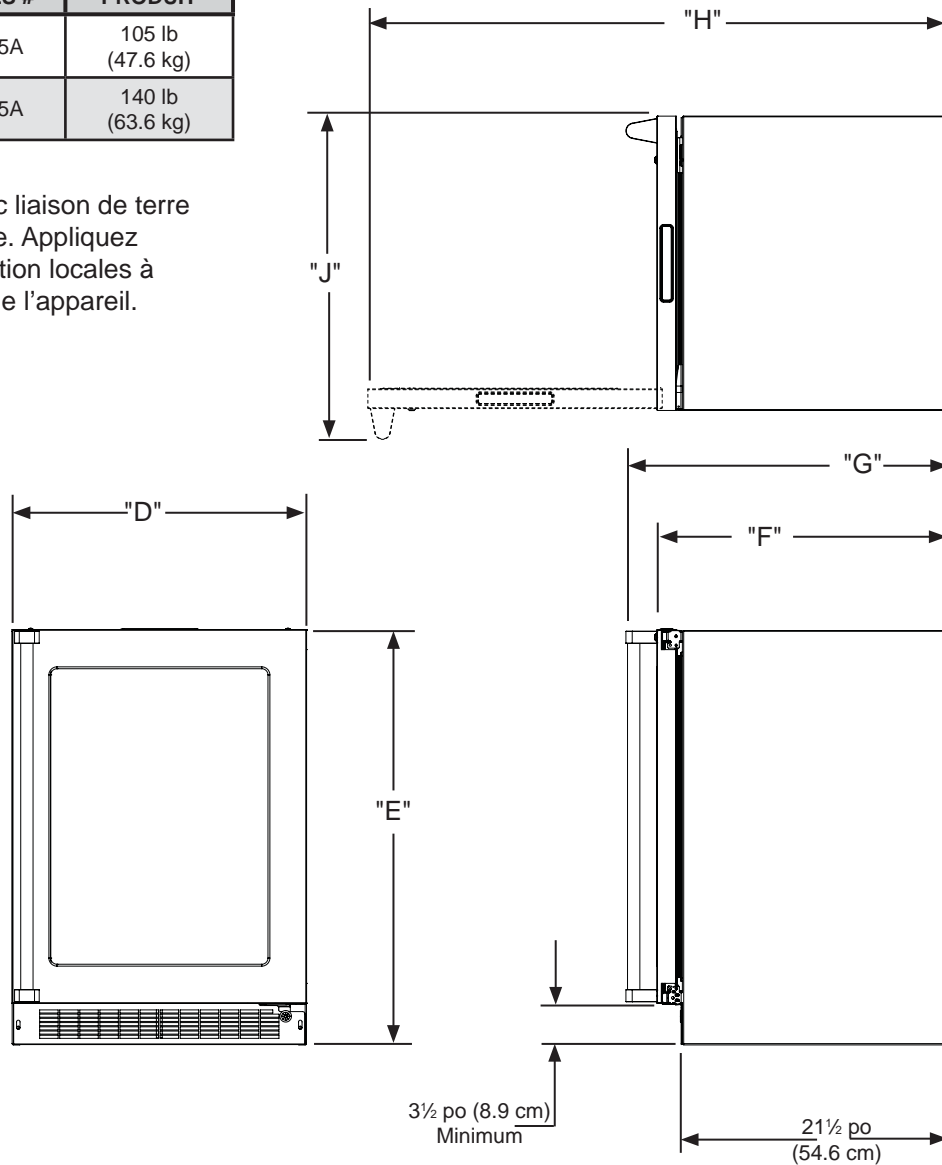


Figure 9

UTILISATION DE VOTRE COMMANDE ÉLECTRONIQUE

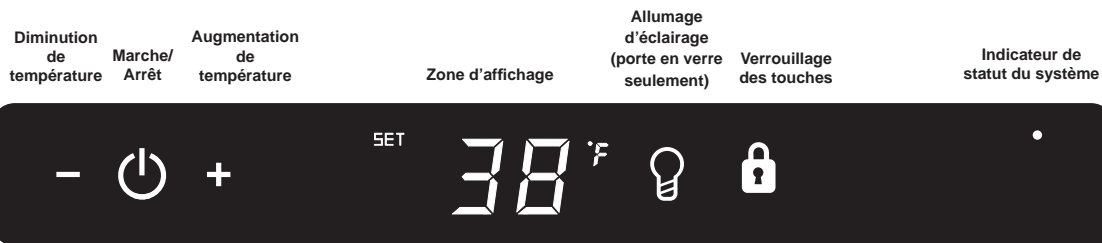


Figure 10
Commandes
électroniques



Démarrage de votre appareil :

Branchez la prise du cordon d'alimentation du réfrigérateur dans une prise murale de secteur 115 V. Votre appareil sort de l'usine en position de marche (ON) et va commencer le refroidissement dès sa mise sous tension. Si l'appareil ne démarre pas, vérifiez que la prise murale est alimentée et que la commande est bien en position de marche (ON). Voyez la partie «Mise en marche et arrêt de votre appareil».

L'afficheur de votre commande est protégé d'un film transparent en plastique. Ce film doit être ôté en le pelant soigneusement à partir d'un angle.

Au démarrage initial, l'afficheur du contrôle montre une alerte «Panne secteur». C'est une condition normale, car le réfrigérateur a été alimenté en usine pour l'inspection de qualité et a été débranché. Un appui momentané sur la touche M/A (ON/OFF) va effacer cette condition d'alerte. (Voyez la section sur les alertes en page 10).

Le mode veille peut être désactivé si vous préférez obtenir un affichage continu. Appuyez sur la commande de verrouillage (symbole de verrouillage) jusqu'à ce que l'afficheur quitte «Loc» et montre «nSL». Pour activer le mode de veille, répétez la même opération, jusqu'à ce que l'afficheur quitte «Loc» et montre «SLP».



Passage de l'appareil en marche ou arrêt :

Si l'appareil est en marche (ON), et n'est pas en mode veille, la température sera montrée dans la zone d'affichage de la commande. Pour arrêter le réfrigérateur, appuyez sur le bouton «ON/OFF» en le maintenant enfoncé pendant (4) secondes. «OFF» sera maintenant affiché à la commande.



Pour remettre le réfrigérateur en marche (ON), appuyez sur le bouton «ON/OFF» en le maintenant enfoncé pendant (4) secondes.



Mode veille :

Si aucune commande n'est actionnée pendant 60 secondes, l'afficheur va passer en mode veille pour économiser l'énergie. Le panneau de commande va s'éteindre à l'exception de l'indicateur de statut de système «OK» qui va rester activé. D'éventuelles conditions d'alerte vont réveiller l'afficheur (Voyez les alertes en page 10).

Afin d'effectuer les changements entre parenthèses à la configuration de commandes (mise en marche ou arrêt, réglage de température de consigne, changement des éclairages d'intérieur, activation du mode vacances), la commande doit être réveillée.

Pour activer l'affichage, appuyez sur n'importe quelle touche. Un signal sonore de confirmation retentira, et la température actuelle du compartiment de conservation sera affichée.



Éclairage intérieur de présentation : (Modèles à porte vitrée uniquement). Votre appareil est équipé d'un dispositif d'éclairage de présentation à deux niveaux d'intensité. Avec la commande électronique sortie du mode veille, appuyez sur la commande d'éclairage (symbole d'ampoule) pour activer l'éclairage intérieur de présentation à pleine intensité. Une tonalité de confirmation va retentir, et l'icône d'ampoule d'éclairage va s'allumer. Un deuxième appui sur la commande d'éclairage (symbole d'ampoule) va atténuer l'éclairage à 50 %. Un troisième appui va désactiver totalement l'éclairage intérieur. Cet éclairage intérieur va se couper automatiquement après 4 heures.

UTILISATION DE VOTRE COMMANDE ÉLECTRONIQUE



Réglage de la température :

Pour déterminer ou contrôler le point de consigne de température (avec la commande électronique sortie de son mode veille), appuyez sur les touches «-» ou «+». «SET» (Réglage) sera indiqué sur le panneau d'interface utilisateur et la consigne actuelle de température sera affichée et clignotera. Les appuis qui suivront sur les touches «-» ou «+» ajusteront la valeur de consigne, pour une température plus basse ou plus élevée respectivement. Quand vous avez atteint la valeur de consigne de température que vous désiriez, appuyez sur la commande M/A (On/Off) pour valider, ou si vous ne faites rien le mode de réglage vas se désactiver 10 secondes après, et la température affichée sera prise comme le prochain point de consigne.

La plage de température pour le point de consigne acceptable pour votre réfrigérateur va de 34 à 42°F (1,2-5,7 °C). Si vous essayez de régler la consigne hors de cette plage vous recevrez une notification de refus sonore.

Quand vous chargez au tout début votre réfrigérateur avec des produits encore tièdes, il peut falloir jusqu'à 48 heures pour que la température du compartiment de conservation se stabilise.

Quand vous effectuez des changements de point de consigne, cela peut prendre 24 heures pour que les denrées conservées se stabilisent à cette nouvelle température.

Certains facteurs affectent la température stabilisée du compartiment de conservation :

- Changements de consigne de température.
- Changements de température ambiante de la pièce.
- Température des denrées du réfrigérateur.
 - Chargement de nouvelles denrées plus chaudes.
 - Un contenu chargé froid va retarder le passage à une température de consigne plus chaude.
 - Un contenu chargé chaud va retarder le passage à une température de consigne plus froide.
- Habitudes d'utilisation (nombre et durée des ouvertures de porte).
- Utilisation de l'éclairage de présentation du compartiment d'entreposage (réfrigérateur à porte en verre uniquement).
- Installation du réfrigérateur à la lumière solaire directe ou près d'une source de chaleur.

Codes d'erreur des capteurs de température

Mode d'affichage de température :

Le mode de température est préréglé en usine pour degrés Fahrenheit (°F), mais vous avez l'option de commuter l'affichage en degrés Celsius (°C). Pour changer de mode d'affichage, actionnez et maintenez appuyée la commande «-» tout en appuyant sur la commande «+», puis relâchez seulement la commande «-». L'affichage de température se fera maintenant en degrés Celsius (°C). Répétez la même procédure pour revenir à un affichage de température en degrés Fahrenheit (°F).



Verrouillage des commandes :



Le panneau de commandes peut être verrouillé pour éviter des changements inopinés. Pour verrouiller les commandes, actionnez la commande de verrouillage (symbole de verrouillage) et maintenez-la appuyée jusqu'à ce que l'afficheur montre «Loc», puis immédiatement relâchez l'appui. L'icône de verrou va clignoter trois fois puis rester allumée. Quand le panneau de commandes est verrouillé seulement la commande de verrouillage (symbole de verrouillage), l'indicateur de statut de système OK et l'indicateur d'alerte restent activés. Pour déverrouiller le panneau de commandes, recommencez la même séquence jusqu'à ce que l'afficheur montre «nLc». Puis immédiatement relâchez l'appui.

REMARQUE

Si le verrouillage des commandes est active (l'icône de verrouillage illuminée), il faut déverrouiller la commande avant qu'on puisse utiliser la touche pour restaurer une alerte. Voir page 9 (Verrouillage des commandes) pour les instructions de déverrouillage de la commande.

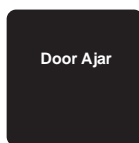
UTILISATION DE VOTRE COMMANDE ÉLECTRONIQUE

Les capteurs de température sont surveillés en permanence. Une condition de coupure (OPEN) ou de court-circuit (SHORTED) génèrera un CODE D'ERREUR tel que ceux qui suivent :

Codes d'erreur des capteurs de température			
Capteur	Code affiché	Description de l'erreur	Action à prendre
Capteur de température de zone unique		Panne de capteur de température dans le compartiment unique. Cela peut amener à des températures non souhaitées pour la conservation des vins et/ou à gâcher des denrées périssables.	Demandez une intervention de service pour remplacer ce capteur de température. Enlevez tous les articles périssables du compartiment pour empêcher de gâter.
Capteur du dégivrage		Panne du capteur de température de dégivrage. Cela cause un dégivrage incorrect de l'appareil et peut créer une forte accumulation de givre. Il peut s'ensuivre un dégât des eaux au niveau de l'appareil et du plancher alentour.	Débranchez immédiatement le cordon d'alimentation et demandez une intervention de service pour remplacer ce capteur de dégivrage.

Alertes :

La commande va vous alerter en cas de conditions pouvant nuire à la performance de l'appareil.



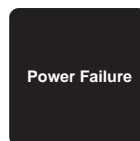
- **Porte entrouverte** - Si la porte reste ouverte ou incorrectement fermée, pendant plus de 5 minutes, l'indicateur de statut de système OK va s'éteindre, l'indicateur de porte entrouverte (Door Ajar) va clignoter et une tonalité va retentir toutes les 60 secondes. De plus, un indicateur de restauration d'alerte (ALARM RESET) va être affiché sous la commande M/A (On/Off).

REMARQUE



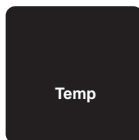
L'alarme sonore peut être désactivé, pour chaque événement, en appuyant sur la commande de verrouillage (Lock).

Cette alerte peut être supprimée en fermant la porte, ou en appuyant brièvement sur la commande M/A (par exemple quand vous êtes en train de nettoyer le compartiment de conservation). Mais l'alerte va se réactiver après 5 minutes si la condition anormale persiste.



- **Panne de secteur** - Si l'alimentation du réfrigérateur est interrompue l'indicateur de statut de système OK va s'éteindre, et l'indicateur de panne secteur (Power Failure) va clignoter. De plus un indicateur de restauration d'alerte (ALARM RESET) va être affiché sous la commande M/A (On/Off). Il n'y aura pas de signalisation sonore. La condition d'alerte peut être supprimée momentanément en appuyant sur la commande M/A (On/Off). Si cette alerte se produit, il est recommandé que vous contrôliez la situation de toutes les denrées périssables, même si l'appareil fonctionne de nouveau normalement et que la température soit revenue au niveau de la consigne, car des cessations d'alimentations prolongées peuvent amener des écarts excessifs de température interne pouvant affecter des denrées périssables.

UTILISATION DE VOTRE COMMANDE ÉLECTRONIQUE



- **Alerte de température** - Si la température du compartiment de conservation dévie excessivement du point de consigne pour une période de temps prolongée, l'indicateur (Temp) clignotera et un signal sonore retentira toutes les 60 secondes. De plus, un indicateur (ALARM RESET) sera affiché sous la commande M/A (On/Off).

REMARQUE

Après une condition d'alerte de température trop haute, vérifiez toutes les denrées périssables pour assurer qu'elles sont sûres pour la consommation.

REMARQUE

L'alerte de température peut survenir s'il y a une utilisation intensive, ou si des produits chauds sont chargés dans le compartiment de conservation. Si l'alerte de température continue à se produire, votre appareil peut exiger le service.

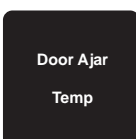
REMARQUE



L'alarme sonore peut être désactivé, pour chaque événement, en appuyant sur la commande de verrouillage (Lock).

La condition d'alerte peut être supprimée momentanément en appuyant sur la commande M/A (On/Off). Si cette alerte se produit, il est recommandé que vous contrôliez la situation de toutes les denrées périssables, même si l'appareil fonctionne de nouveau normalement et que la température soit revenue au niveau de la consigne, car des cessations d'alimentations prolongées peuvent amener des écarts excessifs de température interne pouvant affecter des denrées périssables.

REMARQUE

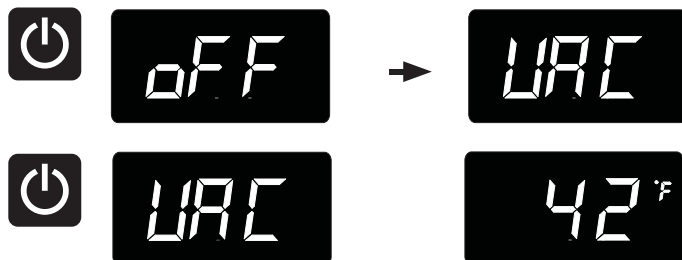


Des alertes multiples sont possibles, par exemple la porte restée entrouverte longtemps peut entraîner une alerte de température, dans ce cas les deux indicateurs «Door Ajar» et «Temp» seront activés en même temps.

Mode de vacances :

Ce mode de fonctionnement peut être utilisé pour économiser de l'énergie durant les périodes où elle est la plus coûteuse, ou si vous n'utilisez pas votre appareil pendant une période prolongée, en désactivant ses éclairages, tonalités d'alerte, et sonorités d'actionnement des commandes. Ce mode vacances peut aussi servir comme mode pour la période de Shabbat, avec les désactivations prescrites dans la période en fin de semaine pour la communauté juive. Dans ce mode de Shabbat, vous pouvez ouvrir et refermer la porte n'importe quand pour accéder au contenu, sans avoir à directement allumer ou éteindre d'éclairage, et sans activation d'affichages numériques, d'électrovannes, de ventilateurs, de vannes, de compresseur, d'icônes, tonalités ou alertes.

Quand ce mode est activé, l'afficheur, les indicateurs visuels et sonores d'alerte, les tonalités à l'actionnement de commandes, l'éclairage intérieur et toutes les options sont désactivés. Toutes les commandes de fonctions sont inopérantes sauf la commande M/A (On/off) qui est nécessaire pour la sortie de ce mode vacances. Les températures du compartiment de conservation sont surveillées et gérées selon les réglages avant d'entrer en mode vacances.



Pour entrer dans le mode vacances (avec le commande réveillée), actionnez et maintenez appuyée la commande M/A (On/Off) jusqu'à ce que l'afficheur passe de «OFF» à «VAC». L'afficheur va faire clignoter «VAC» trois fois pour accuser réception de votre demande, puis montrer «VAC» en fixe jusqu'à la sortie de ce mode vacances. Une coupure d'alimentation ne vous fait pas sortir du mode vacances, le changement de mode ne peut se faire que manuellement. Pour sortir du mode vacances et revenir en fonctionnement normal, actionnez et maintenez appuyée la commande M/A (On/Off) jusqu'à ce que l'afficheur montre la température.

CONFIGURATIONS DE ÉTAGÈRES

Conseils et suggestions pour le chargement

Votre réfrigérateur est équipé d'un système de étagères en porte-à-faux qui procure une capacité maximale d'ajustement et une personnalisation des arrangements comme c'est montré plus loin.

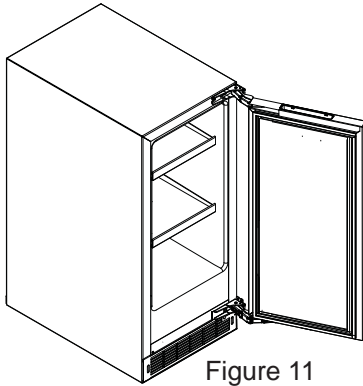


Figure 11

VUBI5150 Stockage de boissons :

Appareils de largeur 15 po (38,1 cm) :

Montré avec une porte vitrée en Figure 11.

- (2) étagères en porte-à faux, encadrement et verre (Voyez la Figure 14).

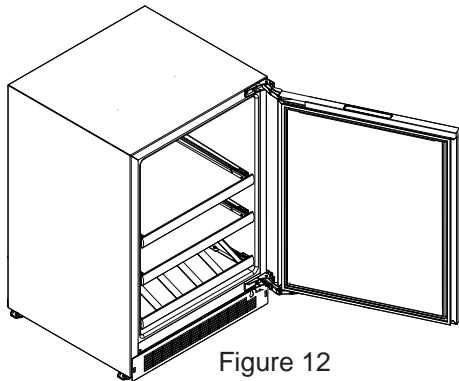


Figure 12

VUBI5240 Stockage de boissons :

Appareils de largeur 24 po (61 cm) :

Montré avec une porte vitrée en Figure 12

- (2) étagère en porte-à faux, encadrement et verre (Voyez la Figure 15).
- (1) étagère-présentoir pour 5 bouteilles avec tapis atténuateur de vibrations (Voyez la Figure 16).

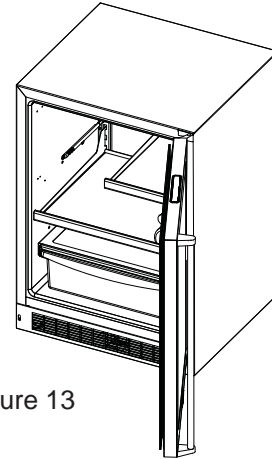


Figure 13

VRUI5240 Réfrigération:

Appareils de largeur 24 po (61 cm) :

Montré avec une porte vitrée en Figure 13.

- (1) étagère en porte-à faux, demi-largueur en verre (Voyez la Figure 14).
- (1) étagère en porte-à faux, encadrement et verre (Voyez la Figure 15).
- (1) étagère, encadrement et verre, couvercle allégé.
- (1) bac à légumes coulissant

Pour ôter le bac à légumes :

Tirez-le jusqu'à ce qu'il s'arrête. Levez l'avant du bac, et dégagez-le du logement.

CONFIGURATIONS DE ÉTAGÈRES

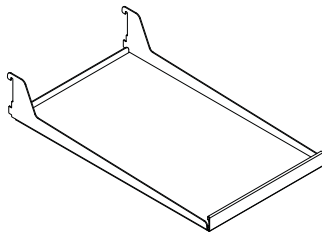
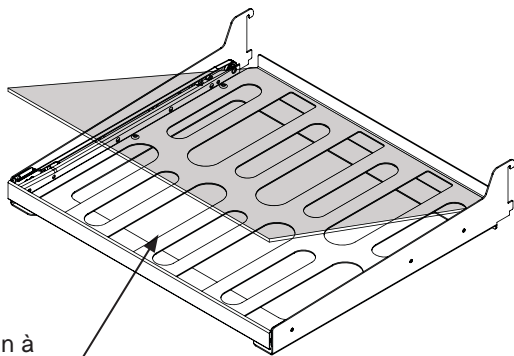


Figure 14
Étagère, encadrement et verre



Étagère à vin à
dessous en verre

Figure 15
Découpe de vin et plat tablette de verre avec tapis
d'amortissement des vibrations, le verre peut être enlevé pour le
stockage du vin.

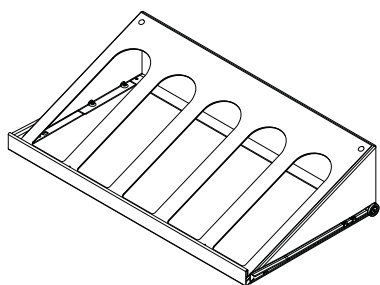


Figure 16
étagère-présentoir pour 5 bouteilles avec tapis atténuateur de
vibrations

CONFIGURATIONS DE ÉTAGÈRES



ATTENTION

Assurez-vous que votre étagère en porte-à-faux est bien en place sur les supports en appuyant dessus avant de la charger.

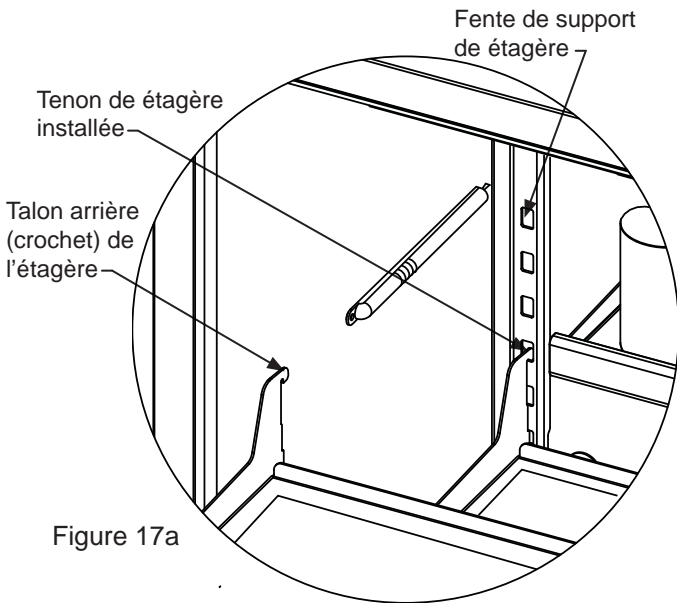


Figure 17a

Zone de stockage de grandes bouteilles

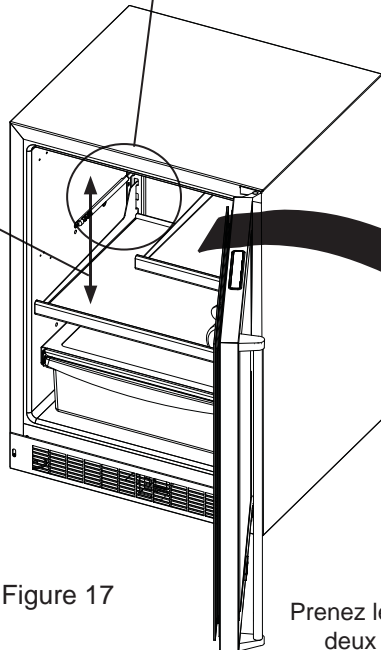


Figure 17

Prenez le devant de la étagère des deux mains et faites pivoter son avant vers le haut, puis soulevez-la et dégagez-la des et enlevez-la des échelles de support.

Pour ajouter ou enlever une étagère

Enlevez les produits qui étaient entreposés sur la étagère. N'essayez pas d'enlever une étagère du réfrigérateur restée chargée. Prenez le devant de la étagère des deux mains, faites pivoter son avant vers le haut et enlevez-la (Voyez la Figure 17b). Pour installer une étagère, insérez-la dans le réfrigérateur et mettez ses crochets dans les fentes des supports de étagère, puis laissez retomber la étagère de façon à ce que ses crochets chutent sur le bas des supports.

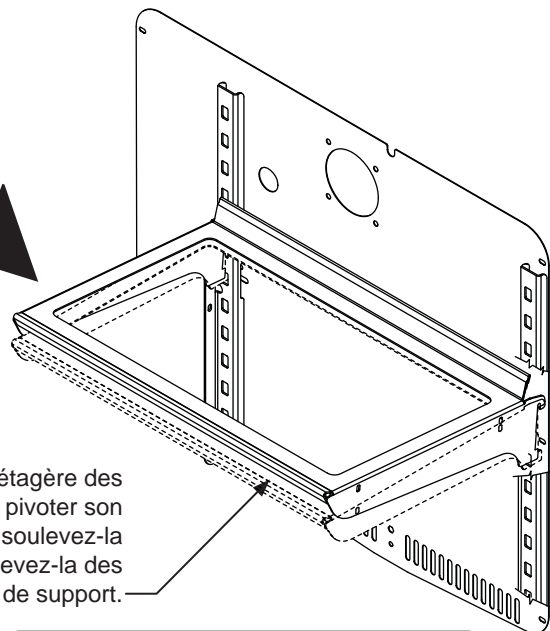


Figure 17b



ATTENTION

N'essayez jamais de bouger une étagère chargée, évacuez tout ce qu'elle porte avant de la déplacer. Utilisez vos deux mains pour déplacer une étagère.

Grille frontale

Assurez-vous que rien n'obstrue les ouvertures pour flux d'air requises à l'avant de l'armoire. Au moins une à deux fois par an, chassez par brossage ou par aspiration les peluches et les saletés dans la zone de la grille avant (Voyez en page 4).



RISQUE DE COMMOTION ÉLECTRIQUE : Débranchez l'alimentation secteur de l'appareil avant de le nettoyer à l'eau savonneuse.

Armoire

L'armoire peinte peut se laver avec une solution savonneuse douce, puis soigneusement se rincer à l'eau potable. N'utilisez JAMAIS de produits nettoyants abrasifs.

Intérieur

Lavez le compartiment intérieur avec une solution savonneuse douce. N'utilisez pas de nettoyant abrasif, de solvant, de produit nettoyant/polissant ou de détergent non-dilué.

Soins pour l'appareil

1. Évitez de vous appuyer sur la porte, vous pourriez déformer ses charnières ou faire basculer l'appareil.
2. Faites attention quand vous balayez, aspirez ou passez la vadrouille près de l'avant de l'appareil. Vous pourriez endommager sa grille.
3. Nettoyez périodiquement l'intérieur de l'appareil selon le besoin.
4. Vérifiez périodiquement la grille frontale et les serpentins de condenseur, et nettoyez-les si nécessaire.

En cas de coupure du secteur

Si une panne d'alimentation arrivait, essayez de la corriger le plus tôt possible. Minimisez le nombre d'ouvertures de porte pendant la coupure du secteur afin de ne pas affecter la température dans l'appareil.

Remplacement de l'ensemble d'éclairage

Tous les modèles utilisent de lampes à diodes électroluminescentes (DEL) pour éclairer l'intérieur de l'appareil. Ce type de composant est très fiable, mais en cas de panne contactez un technicien de service qualifié pour le remplacement de l'éclairage à DEL.

Les suggestions suivantes vont minimiser le coût de fonctionnement de votre appareil de refroidissement.

1. N'installez pas votre appareil près d'un autre appareil chaud (cuisinière, lave-vaisselle, etc.), d'une conduite d'air chaud, ou d'autres sources de chaleur.
2. Placez l'appareil à l'abri du rayonnement solaire direct.
3. Assurez-vous que les événements de la grille devant l'unité au-dessus de la porte ne sont pas obstrués et maintenus propres de façon à permettre une ventilation du système de refroidissement et chasser la chaleur.
4. Branchez votre appareil sur un circuit d'alimentation secteur dédié (Sans partage avec d'autres appareils).
5. Quand vous chargez initialement votre produit neuf, ou au cas où de grosses quantités de contenu tiède sont placées dans le compartiment de conservation au froid, minimisez les ouvertures de porte pendant les 12 heures qui suivent pour permettre au contenu de tomber à la température de consigne du compartiment.
6. En maintenant un compartiment d'entreposage relativement plein, il faut moins de périodes de fonctionnement en refroidissement de l'appareil qu'avec un compartiment vide.
7. Assurez-vous que la fermeture de porte n'est pas obstruée par des denrées entreposées dans votre appareil.
8. Permettez aux denrées chaudes de revenir à la température ambiante avant de les placer dans l'appareil.
9. Minimisez la fréquence et la durée des ouvertures de porte.
10. Utilisez le point de consigne de température le plus haut qui respecte votre préférence personnelle, et fournissez l'entreposage qui convient pour vos denrées conservées.
11. Quand vous êtes en vacances ou loin de la maison pour des périodes prolongées, réglez la consigne de l'appareil à la température la plus haute admissible pour la conservation de son contenu.
12. Réglez le contrôle en position d'arrêt (off) si le nettoyage de l'appareil nécessite que sa porte reste ouverte pour une période longue.
13. En cas de conservation de vins :
Quand des températures pour les servir ne sont pas requises, ramenez le point de consigne du/des compartiment(s) à la température idéale de conservation à long terme des vins rouges et blancs, vers 13 °C / 55°F.

SERVICE APRÈS-VENTE

Si un service après-vente s'impose, appelez votre centre de réparation agréé.

Soyez prêt à fournir les informations suivantes :

- Numéro de modèle
- Numéro de série
- Date d'achat
- Nom du revendeur où vous avez fait l'achat.

Décrivez clairement votre problème. Si vous ne pouvez pas obtenir les coordonnées du centre de réparation agréé le plus proche ou si vos problèmes persistent, contactez Viking Range, LLC au (888) 845-4641 ou écrivez à :

VIKING RANGE, LLC
PREFERRED SERVICE
111 Front Street
Greenwood, Mississippi 38930 USA

Le numéro de série et le numéro de modèle de votre four se situent sur la plaque d'identification fixée en haut à gauche de l'ouverture de la porte, sous le panneau de commande.

Notez les informations indiquées ci-dessous. Vous en aurez besoin pour tout service après-vente nécessaire. Le numéro de série et le numéro de modèle de votre surface de cuisson se trouvent sur la surface inférieure de l'appareil.

No de modèle _____

No de série _____

Date d'achat _____

Date d'installation _____

Nom du revendeur _____

Adresse _____

Si la réparation exige l'installation de pièces, utilisez uniquement des pièces agréées afin d'assurer la protection dans le cadre de la garantie.

Conservez ce guide à titre de référence future.

DÉPANNAGE

Avant d'appeler pour du service

Si l'appareil semble présenter un dysfonctionnement, commencez par bien relire son manuel. Si le problème persiste, consultez le guide de dépannage qui suit. Identifiez le problème dans ce guide et consultez les colonnes de causes et de remèdes avant d'appeler pour du service. Le problème peut être quelque chose de très simple qui peut se résoudre sans demander une intervention de service. Cependant, il peut être nécessaire de contacter votre revendeur ou un technicien de service qualifié.



AVERTISSEMENT

Risque d'électrocution

- Ne tentez jamais de réparer ou d'exécuter de la maintenance sur l'appareil avant que son alimentation électrique n'ait été débranchée en amont. Passer l'appareil sur arrêt (OFF) n'enlève pas la présence de tension secteur sur les fils de câblage.
- Remettez en place l'ensemble des pièces et panneaux avant de redémarrer.



ATTENTION

Dans le cas improbable où vous perdriez de la capacité de refroidissement sur votre appareil, **ne le débranchez pas de son alimentation électrique**, mais appelez immédiatement un agent de dépannage qualifié. Il est possible que la perte de capacité de refroidissement résulte d'une accumulation excessive de givre sur le serpentin de refroidissement d'évaporateur. Dans ce cas, le débranchement électrique de l'appareil entraînera la fusion d'une quantité excessive de glace, qui pourra générer de l'eau de fusion qui dépassera la capacité du système de drainage du dégivrage, et risque de provoquer un dégât des eaux à votre domicile. C'est l'utilisateur final qui sera le responsable final de tout dégât des eaux causé par une coupure prématurée de l'appareil, sans avoir géré correctement l'excédent d'écoulement d'eau.

Problème	Cause possible	Remède
L'appareil ne produit pas assez de froid (Voyez «Réglage de la température» en page 9)	<ul style="list-style-type: none"> • Le contrôle a une consigne trop chaude • La température du contenu n'est pas encore stabilisée. • Utilisation excessive ou ouvertures prolongées de la porte. • Blocage du flux d'air de la grille frontale. • Défaut d'étanchéité du joint de porte. 	<ul style="list-style-type: none"> • Ajustez plus bas la consigne de température. Laissez stabiliser la température 24 heures. • Laissez la température se stabiliser pendant au moins 24 heures. • Le flux d'air ne doit pas être obstrué à la grille frontale. Consultez les valeurs de dégagements en page 4. • Vérifiez l'alignement de porte et/ou changez le joint de porte.
L'appareil fait trop de froid (Voyez «Réglage de la température» en page 9)	<ul style="list-style-type: none"> • Le contrôle a une consigne trop froide • Défaut d'étanchéité du joint de porte. 	<ul style="list-style-type: none"> • Ajustez plus haut la consigne de température Laissez stabiliser la température 24 heures. • Vérifiez l'alignement de porte et/ou changez le joint de porte.
Pas d'éclairage à l'intérieur	<ul style="list-style-type: none"> • Défaut de l'ensemble d'éclairage à DEL ou du commutateur d'éclairage. 	<ul style="list-style-type: none"> • Contactez un technicien de service qualifié.
L'éclairage ne s'éteint pas quand la porte est fermée	<ul style="list-style-type: none"> • L'éclairage de démonstration est resté allumé. (Modèles à porte vitrée uniquement). • La porte n'active pas l'interrupteur d'éclairage. • Commutateur d'éclairage défectueux 	<ul style="list-style-type: none"> • Éteignez l'éclairage de démonstration, refermez la porte. • L'appareil n'est pas d'aplomb, mettez-le de niveau (Voir en page 4, la section sur les pieds réglables). • Contactez un technicien de service qualifié.
Bruit ou vibration	<ul style="list-style-type: none"> • L'appareil n'est pas d'aplomb. • Obstruction de tube affectant le ventilateur. 	<ul style="list-style-type: none"> • Mettez l'armoire d'aplomb, voyez en page 4 le réglage des pieds de mise à niveau. • Contactez un technicien de service qualifié.
L'appareil ne fonctionne pas.	<ul style="list-style-type: none"> • L'appareil est à l'arrêt. • Le cordon secteur n'est pas branché. • La prise secteur n'est pas alimentée. 	<ul style="list-style-type: none"> • Mettez l'appareil en marche. Voyez pour le démarrage de votre appareil en page 8. • Branchez la fiche du cordon. • Vérifiez l'alimentation électrique de votre maison.

GARANTIE DE PRODUIT À USAGE DOMESTIQUE

GARANTIE RÉFRIGÉRATEUR DE COMPTOIR/ STOCKAGE DE BOISSONS GARANTIE COMPLÈTE DE DEUX ANS

Réfrigérateur de comptoir/ Stockage de boissons et toutes leurs pièces composantes, à l'exception de ce qui est détaillé ci-dessous *†, sont garantis contre tout défaut de matériaux ou de fabrication en utilisation résidentielle normale pendant une période de deux (2z) ans à partir de la date d'achat initiale. Le garant, Viking Range, LLC, réparera ou remplacera, à sa discrétion, toute pièce en panne ou défectueuse pendant la période de garantie.

***GARANTIE ESTHÉTIQUE COMPLÈTE DE QUATRE-VINGT-DIX (90) JOURS** : Le produit est garanti contre tout défaut esthétique de matériaux ou de fabrication (tel que des rayures sur l'acier inoxydable, des taches sur la peinture/porcelaine, etc.) pour une période de quatre-vingt-dix (90) jours à partir de la date d'achat d'origine ou la date de clôture pour une construction neuve, la période la plus longue étant à retenir. Tout défaut doit être signalé au revendeur dans les quatre-vingt-dix (90) jours suivant la date d'achat d'origine. Viking Range, LLC utilise des processus et des matériaux de haute qualité pour réaliser les finitions de couleur. Cependant, une légère variation de couleur peut être remarquée à cause des différences inhérentes aux pièces peintes et en porcelaine ainsi que des différences liées à l'éclairage de la cuisine, à l'emplacement du produit et à d'autres facteurs. Par conséquent, cette garantie ne s'applique pas aux variations de couleur liées à ces facteurs.

†GARANTIE COMPLÈTE DE QUATRE-VINGT-DIX (90) JOURS EN APPLICATIONS « RÉSIDENIELLES PLUS » : Cette garantie complète couvre les applications où l'utilisation du produit dépasse l'utilisation résidentielle normale, mais la période de garantie pour les produits utilisés dans de telles applications est de quatre-vingt-dix (90) jours. Les exemples d'applications couvertes par cette garantie sont les gîtes touristiques, la caserne des pompiers, les clubs privés, les églises, les yachts, etc. Avec la garantie « résidentielle plus », le produit, ses pièces et ses accessoires sont garantis contre tout défaut de matériaux ou de fabrication pour une période de quatre-vingt-dix (90) jours à partir de la date d'achat d'origine. Cette garantie exclut l'utilisation du produit dans tous les lieux commerciaux tels que les restaurants, les lieux de restauration et les lieux de restauration collective.

GARANTIE COMPLÈTE DE SIX ANS SUR LES PIÈCES DE RÉFRIGÉRATION SCÉLLÉES TEL QU'INDIQUÉ

Tout composant de système scellé, comme indiqué ci-dessous, est garanti être exempt de matériaux défectueux ou de fabrication pour un usage résidentiel normal au cours de la troisième à la sixième année à compter de la date d'achat initiale du produit. Le garant, Viking Range, LLC, réparera ou remplacera, à sa discrétion, toute pièce en panne ou défectueuse pendant la période de garantie.

Composants de système de réfrigération scellé : Compresseur, évaporateur, condenseur, tubulure de raccordement, sécheur/crépine

GARANTIE LIMITÉE DE DOUZE ANS SUR LES PIÈCES DE RÉFRIGÉRATION SCÉLLÉES TEL QU'INDIQUÉ

Tout composant de système de réfrigération scellé, comme indiqué ci-dessus, qui connaît une défaillance en raison de matériaux défectueux ou de vices de fabrication lors d'une utilisation résidentielle normale durant la septième année jusqu'à la douzième année à compter de la date d'achat d'origine sera réparé ou remplacé, gratuitement pour ce qui est de la pièce elle-même, le propriétaire prenant en charge tous les autres coûts, notamment la main-d'œuvre.

CONDITIONS GÉNÉRALES

Cette garantie s'applique à l'acheteur d'origine du produit garanti selon les modalités définies et à chaque acquéreur du produit pendant la période de garantie et elle s'applique aux produits achetés et se trouvant aux États-Unis, au Canada, le Mexique et les Caraïbes (à l'exclusion de Cuba, la République dominicaine et Haïti). Les produits doivent avoir été achetés dans le pays où vous demandez un entretien. Si le produit ou l'une de ses pièces contient un défaut ou fonctionne mal pendant la période de garantie complète après que le garant a tenté un nombre raisonnable de fois de remédier au défaut ou au mauvais fonctionnement, le propriétaire obtiendra un remboursement ou le remplacement du produit ou de la (des) pièce(s). Le remplacement d'une pièce comprend son installation gratuite, à l'exception de ce qui est spécifié dans la garantie limitée. Selon cette garantie, l'entretien doit être effectué par un agent d'entretien ou un représentant agréé par Viking Range, LLC. L'entretien sera réalisé pendant les heures normales de travail et le travail effectué en heures supplémentaires ou en tarif majoré ne sera pas couvert par cette garantie.

Le propriétaire est responsable de l'installation correcte, doit s'assurer qu'un entretien nécessaire et raisonnable est réalisé, doit fournir une preuve d'achat sur demande et rendre l'appareil raisonnablement accessible pour l'entretien. Le renvoi de la carte d'enregistrement de propriétaire n'est pas une condition de garantie. Vous devrez toutefois renvoyer la carte d'enregistrement du propriétaire pour permettre à la Viking Range, LLC de prendre contact avec vous au sujet de problèmes de sécurité éventuels pouvant vous concerner. Cette garantie vous donne des droits légaux spécifiques et vous pouvez également avoir d'autres droits, qui varient d'une juridiction à l'autre.

EXCLUSION DE GARANTIE : Cette garantie ne s'applique pas aux dommages qui résultent d'abus, d'absence d'entretien nécessaire et raisonnable, d'accident, de livraison, de négligence, de catastrophe naturelle, de perte d'alimentation électrique sur le produit pour quelque raison que ce soit, de modifications, d'une utilisation extérieure, d'une installation incorrecte, d'un fonctionnement incorrect ou de réparations ou d'entretien du produit réalisés par toute autre personne qu'un agent d'entretien ou un représentant autorisé par Viking Range, LLC. Cette garantie ne s'applique pas à un usage commercial.

LIMITATION DES RECOURS ET DURÉE DE LA GARANTIE IMPLICITE

LE RECOURS UNIQUE ET EXCLUSIF DU PROPRIÉTAIRE POUR UNE RÉCLAMATION DE QUELQUE NATURE QUE CE SOIT QUANT À CE PRODUIT DOIT ÊTRE LE RECOURS ÉNONCÉS CI-DESSUS. VIKING RANGE, LLC N'EST PAS RESPONSABLE POUR LES DOMMAGES CONSÉCUTIFS OU DOMMAGES, Y COMPRIS, MAIS NON LIMITÉ À LA PERTE DE NOURRITURE OU DE MÉDICAMENTS, EN RAISON DE PANNE DU PRODUIT, QUE CE SOIT DÉCOULANT DE LA VIOLATION DE LA GARANTIE, UNE RUPTURE DE CONTRAT OU AUTREMENT. Certaines juridictions n'autorisent pas l'exclusion ou la limitation de dommages indirects ou consécutifs, dans ce cas, cette disposition ne s'appliquerait pas. **TOUTE GARANTIE IMPLICITE DE QUALITÉ MARCHANDE OU D'ADAPTATION À UN USAGE PARTICULIER APPLICABLE À CE PRODUIT À UNE DURÉE LIMITÉE À LA PÉRIODE COUVERTE PAR LES GARANTIES LIMITÉES ÉCRITES EXPLICITES APPLICABLES DÉFINIES CI-DESSUS.** Certains états n'autorisent pas les limitations de durée de garantie implicite, dans ce cas, cette disposition ne s'appliquerait pas.

ENTRETIEN SOUS GARANTIE

Pour obtenir un entretien sous garantie, contactez un agent d'entretien autorisé par Viking Range, LLC, ou Viking Range, LLC, 111 Front Street, Greenwood, Mississippi 38930, (888) 845-4641. Donnez les numéros de modèle et de série et la date d'achat d'origine ou la date de clôture pour une construction neuve. Pour obtenir le nom de l'agence d'entretien autorisée par Viking Range, LLC la plus proche, appelez Viking Range, LLC.

IMPORTANT: Conservez la preuve d'achat d'origine pour établir la période de garantie.

Les spécifications sont sujettes à modification sans préavis.

Viking Range, LLC
111 Front Street
Greenwood, Mississippi 38930 USA
(662) 455-1200

Pour tout renseignement concernant les produits,
appelez le 1-888-(845-4641)
ou consultez le site web à l'adresse vikingrange.com

Install / Use & Care MANUAL

FR-D'installation/d'utilisation et d'entretien

ES-De instalación/operación y mantenimiento

5 SERIES

Professional Undercounter Refrigerator / Beverage Center
Réfrigérateur de comptoir / Stockage de boissons Professionnel
Refrigerador bajo mostrador / Centro de bebidas Profesional

VRUI5240

VBUI5150

VBUI5240

ÍNDICE

Índice:

Información de seguridad.....	2
Desembalaje de su artefacto.....	3
Registro de garantía.....	3
Instalación de su artefacto.....	4
Espacios libres alrededor del gabinete	4
Nivelación del artefacto	4
Conexión eléctrica.....	5
Dimensiones del producto.....	6
Uso de su control electrónico.....	8
Puesta en funcionamiento de su artefacto.....	8
Modo de espera	8
Encendido (ON) y apagado (OFF) de su artefacto	8
Ajuste de la temperatura.....	9
Iluminación interior.....	9
Modo de temperatura.....	9
Bloqueo del control.....	9
Códigos de error del sensor de temperatura	10
Alarmas	10
Puerta entreabierta.....	10
Corte de energía	11
Alarma de temperatura.....	11
Modo Vacaciones	11
Configuraciones de estantes.....	12
Cuidado y limpieza.....	15
Consejos para ahorrar energía.....	15
Información de servicio.....	16
Localización de fallas	17
Garantía.....	18

Instrucciones importantes de seguridad

Las advertencias e instrucciones de seguridad que aparecen en esta guía no se proponen tratar todas las condiciones y situaciones que pueden ocurrir. Deben aplicarse el sentido común, la precaución y el cuidado al instalar, mantener y operar este artefacto.

**Reconozca los símbolos,
palabras y etiquetas de seguridad.**



ADVERTENCIA

ADVERTENCIA - Si no sigue las instrucciones, usted puede morir o sufrir una lesión grave.



PRECAUCIÓN

PRECAUCIÓN-Riesgos o procedimientos inseguros que podrían provocar lesiones personales o daños materiales o al producto.

NOTA

NOTE-Información importante que ayuda a asegurar una instalación y operación libres de problemas.



ADVERTENCIA

Advertencias de la Proposición 65 del estado de California: Este producto contiene una o más sustancias químicas identificadas por el estado de California como causantes de cáncer.



ADVERTENCIA

Advertencias de la Proposición 65 del estado de California: Este producto contiene una o más sustancias químicas identificadas por el estado de California como causantes de defectos congénitos o algún otro tipo de daños en la función reproductora.

DESEMBALAJE DE SU ARTEFACTO



ADVERTENCIA

RIESGO DE PESO EXCESIVO

Se necesitan dos o más personas para mover el producto. Si no se procede así, pueden producirse lesiones personales.

Retiro del embalaje interior

Su artefacto se ha embalado para el transporte con todas las piezas que pudieran dañarse por el movimiento sujetas firmemente. Retire los materiales de empaque internos y -si las hubiera- las cintas que sujetan los componentes. El manual del usuario se envía dentro del producto en una bolsa de plástico junto con la tarjeta de registro de garantía y otros accesorios.

Importante

Conserve la caja y el material de embalaje hasta que su artefacto se haya inspeccionado bien a fondo y se haya comprobado que está en buenas condiciones. Si hubiera daños, se necesitará el material de embalaje como una prueba del daño en tránsito. Luego, elimine todos los elementos de manera responsable.



ADVERTENCIA

ADVERTENCIA - Elimine las bolsas de plástico, ya que pueden presentar un riesgo de asfixia.

Nota para el cliente

Esta mercancía se embaló en forma cuidadosa y se inspeccionó bien a fondo antes de salir de nuestra planta. La responsabilidad por su entrega segura fue asumida por el comerciante minorista al aceptar el envío. Los reclamos por pérdida o daños sufridos en el tránsito deben presentarse al comerciante minorista.

NOTA

NO REGRESE MERCANCÍA DAÑADA AL FABRICANTE; PRESENTE EL RECLAMO AL COMERCIANTE MINORISTA.



PRECAUCION

Si el artefacto se transportó, manejó o almacenó en una posición diferente de la vertical durante cualquier intervalo de tiempo, deje que permanezca en posición vertical durante 24 horas como mínimo antes de enchufarlo.

Esto asegurará que el aceite regrese al compresor. Si se enchufa el artefacto de inmediato, pueden dañarse algunas piezas internas.

Registro de garantía

Es importante que envíe su tarjeta de registro de la garantía inmediatamente después de haber recibido su artefacto; también puede registrarlo a través de Internet en la página www.vikingrange.com.

Cuando registre su artefacto se le solicitará la información siguiente:

Número de servicio
Número de serie
Fecha de la compra
Nombre y dirección del comerciante

El número de servicio y el número de serie pueden encontrarse en la placa de identificación que está ubicada dentro del gabinete, en el lado izquierdo cerca de la parte superior (vea la Figura 1).

Registro en línea disponible en
www.vikingrange.com

VIKING RANGE, LLC	
GREENWOOD, MS 38930	
MODEL NO.	<input type="text"/>
SERIAL NO.	<input type="text" value="XXXXXXXXXXXX"/>
HZ <input type="text"/>	VOLTS <input type="text"/>
AMPS <input type="text"/>	R134A <input type="text"/>
oz <input type="text"/>	
TEST PRESSURE 140 PSI LOW SIDE 300 PSI HIGH SIDE	

Figura 1



ADVERTENCIA

ADVERTENCIA - El atrapamiento y la asfixia de niños no son problemas del pasado. Los refrigeradores desguazados o abandonados siguen siendo peligrosos, aun cuando se los haya dejado 'sólo por unos pocos horas'.

Si va a deshacerse de su viejo refrigerador, observe las instrucciones que siguen a fin de ayudar a prevenir accidentes.

Antes de tirar su viejo refrigerador o congelador:

- Extraiga las puertas o retire los estantes.
- Deje los estantes en su lugar, de modo que los niños no puedan trepar fácilmente al interior.

INSTALACIÓN DE SU ARTEFACTO

Selección de la ubicación

La ubicación adecuada asegurará el desempeño óptimo de su artefacto. Recomendamos una ubicación en la que la unidad esté a cubierto de la luz solar directa y lejos de fuentes de calor. Para asegurar que su producto funcione de acuerdo con las especificaciones, el rango de temperaturas recomendado para la ubicación de instalación es de 55 a 100° F (de 13 a 38° C).

Espacios libres alrededor del gabinete

Se necesita ventilación desde la parte delantera inferior del artefacto. Mantenga esta área abierta y libre de toda obstrucción. Pueden instalarse gabinetes adyacentes y una cubierta alrededor del artefacto, siempre que la rejilla frontal permanezca sin obstrucciones. Los modelos con puerta decorativa y bisagras articuladas están destinados únicamente a aplicaciones empotradas.

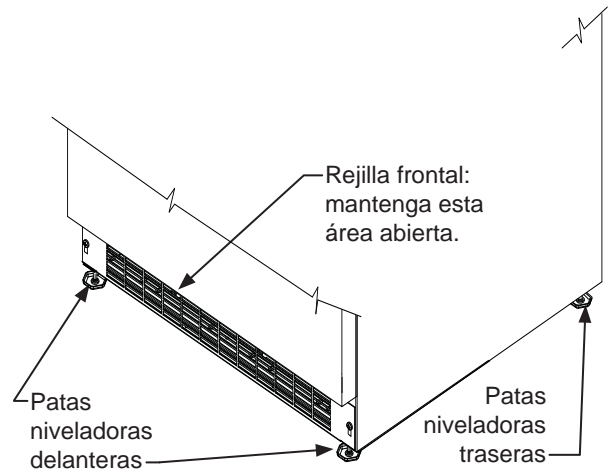


Figura 2



Rejilla frontal

No obstruya la rejilla frontal. Las aberturas de la rejilla frontal permiten que el aire circule a través del intercambiador de calor del condensador. Las restricciones a esta circulación de aire darán como resultado mayor consumo de energía y pérdida de la capacidad de enfriamiento. Por esta razón es importante que esta área no esté obstruida y que las aberturas de la rejilla se mantengan limpias. Viking Range, LLC no recomienda el uso de una rejilla de construcción especial, ya que la circulación de aire puede verse restringida (vea la Figura 2).

Patas niveladoras traseras

Las patas ajustables que están en las esquinas delanteras y traseras del artefacto deben regularse de modo que la unidad quede posicionada firmemente sobre el piso, y nivelada de lado a lado y del frente al fondo. La altura total de su artefacto puede ajustarse entre la dimensión mínima (girando la pata niveladora hacia adentro CW ↻) y la máxima (girando la pata niveladora hacia afuera CCW ↺), como se muestra en la Tabla 'A'.

Para ajustar las patas niveladoras, coloque el artefacto sobre una superficie sólida y proteja la zona del piso que está debajo de las patas, para evitar rayarlo. Con la ayuda de otra persona, incline el artefacto hacia atrás para tener acceso a las patas niveladoras. Haga girar las patas para subirlas o bajarlas hasta la dimensión requerida. Repita este proceso para la parte trasera inclinando con cuidado el artefacto hacia adelante. Verifique la nivelación del artefacto sobre una superficie nivelada, y ajuste según sea necesario.

Los tornillos de la rejilla frontal pueden aflojarse para ajustar la rejilla a la altura deseada. Cuando finalice el ajuste, apriete los dos tornillos de la rejilla frontal (vea la Figura 5).

Modelo	Estilo de la Puerta	Altura mínima	Altura Máxima
VRUI5240 VBUI5150 VBUI5240	(G)	33 ¾" (85,7 cm)	34 ¾" (88,3 cm)

Tabla A

INSTALACIÓN DE SU ARTEFACTO

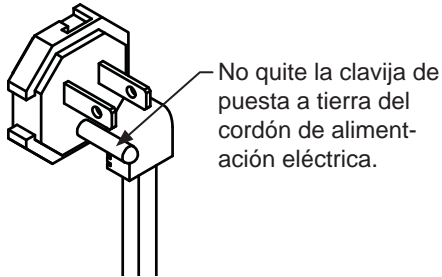


Figura 3

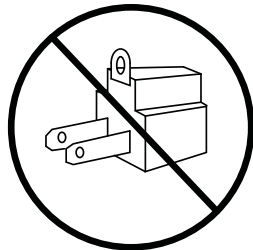


Figura 4

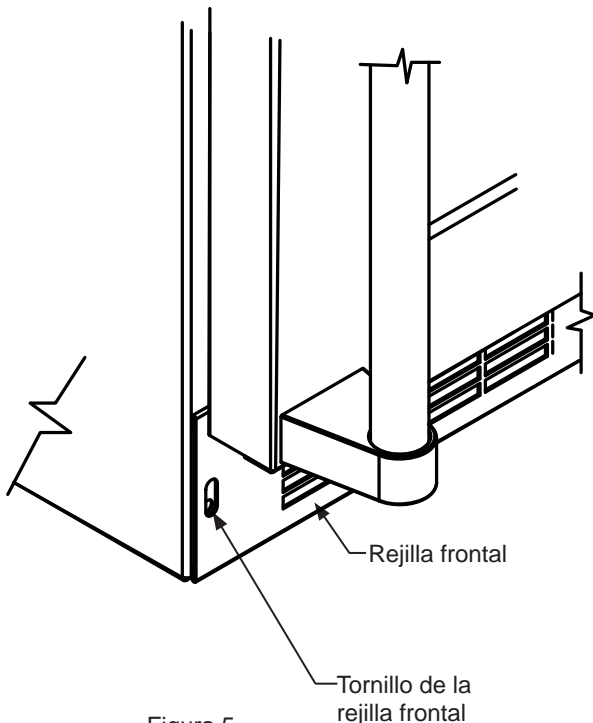


Figura 5



ADVERTENCIA

Peligro de choque eléctrico

- No utilice cordones de extensión con este artefacto. Pueden ser peligrosos, y pueden degradar el funcionamiento del producto.
- Este artefacto no debe conectarse en ninguna circunstancia a un suministro eléctrico sin conexión a tierra.
- No quite la clavija de puesta a tierra del cordón de alimentación eléctrica. (vea la Figura 3).
- No use un adaptador. (vea la Figura 4).
- No salpique ni rocíe agua desde una manguera sobre el artefacto. Si lo hace puede causar un choque eléctrico, que puede provocar lesiones graves o la muerte.

Conexión eléctrica

Se necesita un circuito dedicado de 115 volts, 15 amperes.

Este producto está equipado de fábrica con un cordón de alimentación eléctrica que tiene un enchufe de tres clavijas con puesta a tierra. Debe enchufarse en un tomacorriente compatible con puesta a tierra, de acuerdo con el Código Eléctrico Nacional de los EE. UU., así como los códigos y ordenanzas locales que sean aplicables (vea la Figura 6). Si el circuito no tiene un tomacorriente con puesta a tierra, es responsabilidad y obligación del cliente proporcionar el suministro eléctrico correcto. No debe cortarse ni quitarse la tercera clavija de tierra bajo ninguna circunstancia.

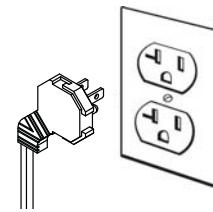


Figura 6

NOTA

Los interruptores de falla a tierra (GFCI) son propensos a los falsos disparos, que harán que el artefacto se apague. Los GFCI no se usan por lo general en circuitos con equipos motorizados que deben funcionar desatendidos durante períodos prolongados, a menos que sea necesario para cumplir con los códigos y ordenanzas de edificación locales.

DIMENSIONES DEL PRODUCTO

MODELO	DIMENSIONES DE LA ABERTURA DE INSTALACIÓN pulgadas (cm)			DIMENSIONES DEL GABINETE pulgadas (cm)					
	"A"	"B"	"C"	"D"	"E"	"F"	"G"	"H"	"J"
VBUI5150	15" (38.1 cm)	**34" to 35" (86.4 to 88.9 cm)	*	14 7/8" (37.8 cm)	33 3/4" to 34 3/4" (85.7 to 88.3 cm)	23 23/32" (60.2 cm)	26 7/32" (66.6 cm)	37 13/32" (95 cm)	17 7/16" (44.3 cm)
VRUI5240 VBUI5240	24" (61 cm)	**34" to 35" (86.4 to 88.9 cm)	*	23 7/8" (60.7 cm)	33 3/4" to 34 3/4" (85.7 to 88.3 cm)	23 23/32" (60.2 cm)	26 7/32" (66.6 cm)	46 13/32" (117.9 cm)	26 7/16" (67.2 cm)

* La dimensión de la profundidad de la abertura de instalación puede variar según cada instalación individual. Para empotrar la puerta completa se necesita la dimensión 'F' más 1" (2,5 cm) para el espesor del enchufe de alimentación eléctrica.

** La abertura de instalación mínima requerida debe ser mayor que la altura ajustada del gabinete.

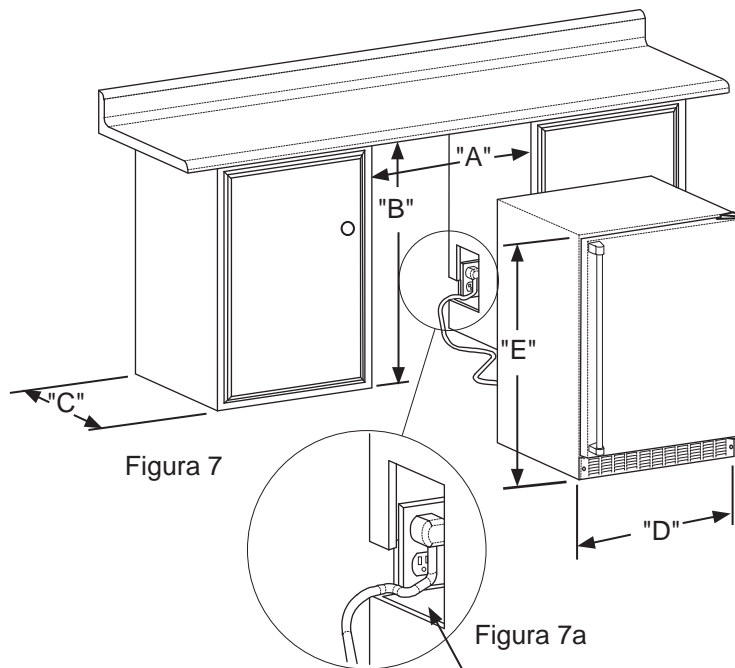


Figura 8

Si fuera necesario ganar espacio libre dentro de la abertura de instalación, puede hacerse un agujero a través del gabinete adyacente y pasar el cordón de alimentación eléctrica a través de ese agujero hasta un tomacorriente. Otra manera de aumentar la profundidad disponible de la abertura es empotrar el tomacorriente eléctrico en la pared trasera para ganar el espesor del enchufe de alimentación eléctrica. No todas las cajas de tomacorriente empotradas serán apropiadas para esta aplicación por ser demasiado delgadas, por lo que se recomienda para esta aplicación una caja de tomacorriente empotrada equivalente a la Arlington #DV-FR1W (vea la Figura 8).

DIMENSIONES DEL PRODUCTO

DATOS DEL PRODUCTO		
MODELO	REQUISITOS ELÉCTRICOS #	PESO DEL PRODUCTO
VBUI5150	115V/60HZ/15A	105 lbs (47.6 kg)
VRUI5240 VBUI5240	115V/60Hz/15A	140 lbs (63.6 kg)

Se necesita un circuito dedicado de 15 amperes con conexión a tierra. Cumpla con todos los códigos de edificación locales cuando instale el circuito eléctrico y el artefacto.

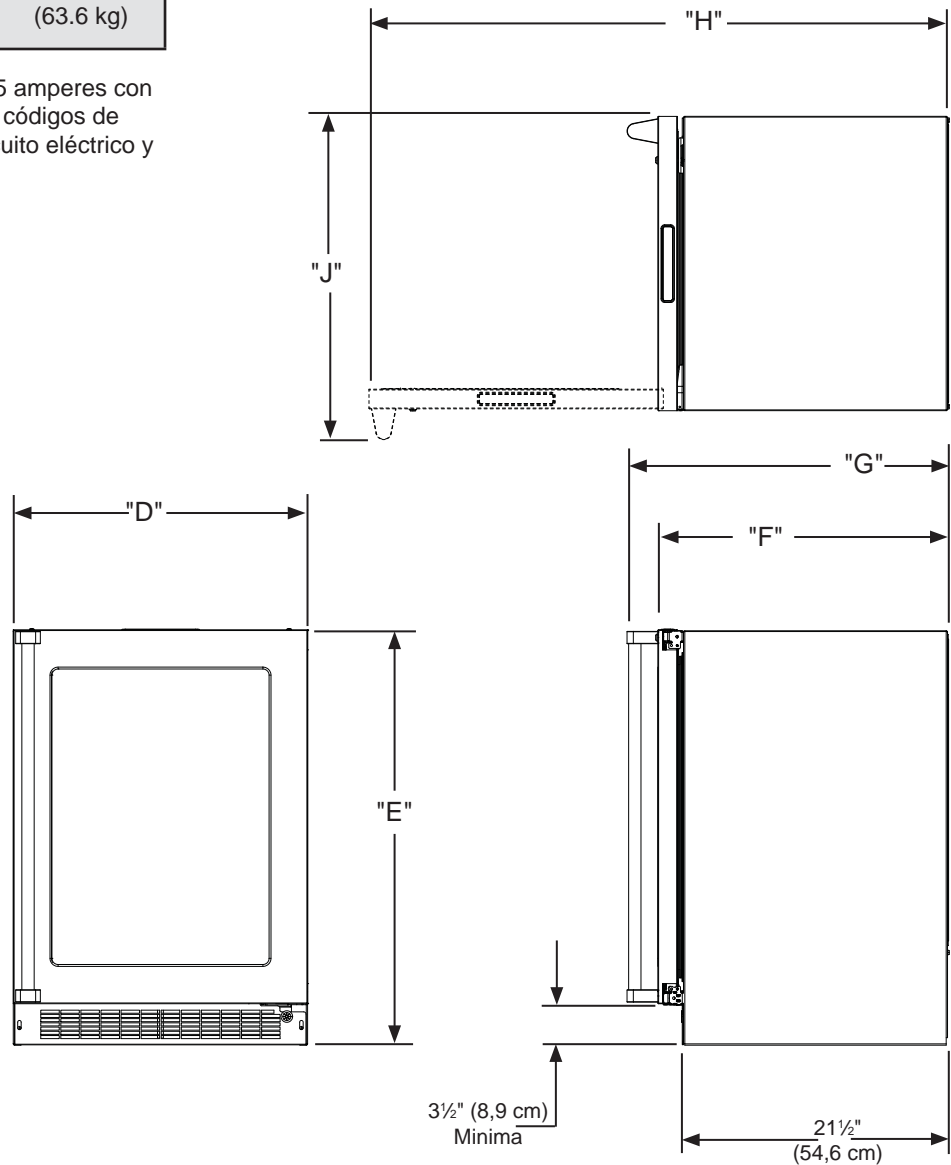


Figura 9

USO DE SU CONTROL ELECTRÓNICO

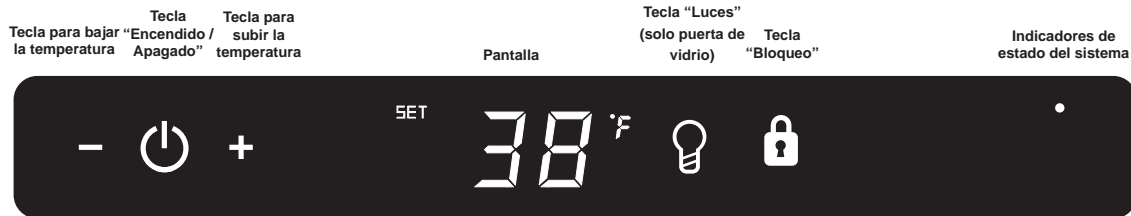


Figura 10
Control electrónico para una sola zona



Puesta en funcionamiento de su artefacto:

Enchufe el cable eléctrico en la toma de corriente de pared de 115 V. Su artefacto se entrega de fábrica en la posición "Encendido" y comenzará a enfriar tan pronto se conecte a la alimentación eléctrica. Si el artefacto no arranca, verifique si la toma de corriente tiene electricidad y que el control esté en la posición "Encendido", (consulte la sección "Encendido / Apagado del artefacto" más adelante).

La pantalla de control está cubierta con una película de plástico transparente. Esta película se puede retirar levantándola con cuidado en una esquina.

Durante el encendido inicial, la pantalla de control mostrará una alarma por "Corte de energía". Esta es una condición normal pues el artefacto fue encendido por primera vez en la fábrica para la inspección de calidad y luego desconectado. Pulse una vez la tecla "Encendido / Apagado" para apagar la condición de alarma (consulte la sección "Alarmas" en la página 10).

Si prefiere tener la pantalla continuamente encendida, desactive el modo de espera. Mantenga pulsado el botón "Bloqueo" hasta que en la pantalla desaparezca "Loc" y aparezca "nSL". Para activar el modo de espera, repita la instrucción anterior hasta que desaparezca "Loc" y la pantalla muestre "SLP".



Modo de espera:

Si no se pulsa ninguna tecla durante 60 segundos, la pantalla entrará en el modo de espera para ahorrar energía. El panel de control se apagará, excepto el indicador de sistema OK que permanecerá encendido. Cualquier condición de alarma activará la pantalla, (vea "Alarmas" en la página 10).

Para realizar cambios en los ajustes del control (encender o apagar el artefacto, ajustar la temperatura, cambiar la iluminación interior y activar el modo vacaciones), el control debe estar activado.

Para activar la pantalla, pulse cualquier tecla. Sonará un tono audible de confirmación y aparecerá la temperatura actual del compartimento de almacenamiento.



Encendido (ON) y apagado (OFF) de su artefacto:

Si el artefacto está encendido (y no está en el modo de espera), la pantalla mostrará la temperatura. Para apagar el artefacto mantenga pulsada la tecla "Encendido / Apagado" durante 4 segundos. El control mostrará "OFF".



Para encender el artefacto mantenga pulsada la tecla de encendido / apagado durante 4 segundos.



Iluminación interior: (solo modelos con puerta de vidrio)

Su artefacto está equipado con una función que permite escoger entre dos niveles de iluminación interior. Con el control fuera del modo de espera, pulse la tecla "Luces" para activar la iluminación interior en el nivel máximo. Sonará un tono de confirmación y se encenderá el indicador con el ícono de una bombilla. Si pulsa nuevamente la tecla "Luces", la iluminación se atenuará en un 50%. Si pulsa por tercer vez el botón, la iluminación se apagará. La iluminación interior se desactivará automáticamente después de 4 horas.

USO DE SU CONTROL ELECTRÓNICO



Ajuste de la temperatura:

Para establecer o ver el valor de consigna de la temperatura (con el control fuera del modo de espera), pulse la tecla “-” o “+”. La pantalla mostrará “SET” y el valor de consigna de la temperatura parpadeando. Para ajustar la temperatura más fría o más caliente, pulse repetidamente las teclas “-” o “+” respectivamente. Cuando haya alcanzado la temperatura de consigna deseada, pulse el botón “Encendido / Apagado” para introducir el valor, o no haga nada y el modo “Set” aceptará automáticamente la temperatura visualizada como el nuevo valor de consigna una vez transcurrido un tiempo de espera de 10 segundos.

El rango de la temperatura de consigna admitido por su artefacto es de 34° F (1,2° C) a 42° F (5,7° C). Si intenta ajustar la temperatura fuera de este rango, recibirá una notificación audible.

Su refrigerador puede tardar hasta 48 horas para estabilizar la temperatura del compartimiento de almacenamiento en la primera carga con productos calientes.

Los cambios en la temperatura de consigna pueden hacer que el refrigerador tarde hasta 24 horas para estabilizar la temperatura del contenido almacenado.

Los factores que afectan la estabilización de la temperatura en el compartimiento de almacenamiento son:

- Cambios en el valor de consigna de la temperatura.
- Cambios en la temperatura de la habitación.
- Temperatura del contenido almacenado.
 - Carga de productos calientes.
 - La carga de productos fríos retrasará el cambio a una temperatura de consigna más caliente.
 - La carga de productos calientes retrasará el cambio a una temperatura de consigna más fría.
- Uso (cantidad y duración de las aperturas de la puerta).
- Uso de la iluminación del compartimiento de almacenamiento (solo refrigeradores con puerta de vidrio).
- Exposición del artefacto a la luz solar directa o a una fuente de calor.

Modo de temperatura:

El modo de temperatura está predefinido en fábrica en grados Fahrenheit (° F), pero usted tiene la opción de cambiar a Celsius (° C). Para cambiar el modo, mantenga pulsadas las teclas “-” y “+” y luego suelte la tecla “-”.

La temperatura se mostrará ahora en grados centígrados (° C).


Repita el procedimiento para cambiar el modo de temperatura de nuevo a grados Fahrenheit (° F).



Bloqueo del control:

El panel de control se puede bloquear para evitar cambios accidentales. Para bloquear el control, mantenga pulsada la tecla “Bloqueo” hasta que la pantalla muestre “Loc”; a inmediatamente continuación suelte la tecla. El icono de bloqueo parpadeará 3 veces y luego quedará permanentemente encendido. Cuando el panel de control está bloqueado, solo están activos el botón “Bloqueo”, el indicador de sistema OK y el indicador de alarma. Para eliminar el bloqueo del panel de control, repita esta instrucción hasta que la pantalla muestre “nLc”. A inmediatamente continuación suelte la tecla.



NOTA

 Si el bloqueo de control está activo (icono de bloqueo iluminado) el control tienen que ser desbloqueados antes de usar el teclado para restablecer una situación de alarma. Consulte la página 9 (Bloqueo de control) para obtener instrucciones para desbloquear el control.

USO DE SU CONTROL ELECTRÓNICO

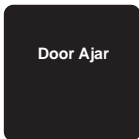
Códigos de error del sensor de temperatura

Los sensores de temperatura son monitoreados continuamente. Cualquier condición de CIRCUITO ABIERTO o EN CORTOCIRCUITO iniciará un CÓDIGO DE ERROR según se enumera a continuación:

Códigos de error del sensor de temperatura			
Sensor	Código mostrado	Descripción del error	Acción que se debe tomar
Sensor de temperatura de zona única		El sensor de temperatura falló en el compartimiento de zona única. Puede llevar a temperaturas de almacenamiento no deseadas y/o productos perecederos dañados.	Llame al departamento de servicio para solicitar el reemplazo del sensor de temperatura. Retire todos los productos perecederos del compartimiento para evitar su deterioro.
Sensor de eliminación de escarcha		El sensor de temperatura de eliminación de escarcha falló. Causa que la unidad no elimine apropiadamente la escarcha y puede crear acumulación grande de escarcha. Puede llevar a daño por agua de la unidad y del piso circundante	Desenchufe inmediatamente el cable de suministro de energía y llame al departamento de servicio para solicitar el reemplazo del sensor de eliminación de escarcha

Alarmas:

El control emitirá un aviso cuando las condiciones podrían afectar negativamente al rendimiento del artefacto.



- **Puerta entreabierta:** si la puerta está abierta o está mal cerrada durante más de 5 minutos, el indicador de sistema OK se apagará y comenzará a parpadear el indicador "Puerta entreabierta" acompañado de un tono audible cada 60 segundos. Además, se encenderá el indicador "ALARM RESET" (Apagar alarma) bajo la tecla "Encendido / Apagado".

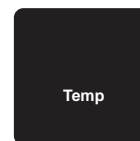
- **Corte de energía:** si se interrumpe la alimentación al artefacto, el indicador de estado del sistema se apagará y comenzará a parpadear el indicador "Corte de energía". Además, se encenderá el indicador "ALARM RESET" (Apagar alarma) bajo la tecla "Encendido / Apagado". El equipo no emitirá ningún tono audible de aviso. Esta condición de alarma se puede apagar pulsando la tecla "Encendido / Apagado". Si se produce esta alarma, se recomienda que verifique el estado de los alimentos perecederos, aún cuando el artefacto funcione normalmente y la temperatura se haya recuperado, pues los cortes de energía prolongados podrían dar lugar a variaciones de temperatura excesivas que pueden arruinar los alimentos perecederos.

NOTA



La alarma audible se puede silenciar, para cada ocurrencia, para pulsando la tecla "Bloqueo".

Esta condición de alarma se puede apagar mediante el cierre de la puerta o pulsando la tecla "Encendido / Apagado" (por ejemplo, cuando está limpiando el compartimiento de almacenamiento, etc.)La alarma se repetirá en 5 minutos si la condición de alarma persiste.



- **Alarma de temperatura:** Si la temperatura del compartimiento de almacenamiento se desvía excesivamente de su temperatura de consigna durante un período prolongado de tiempo, el indicador "TEMP" parpadeará, y sonará un pitido cada 60 segundos. Además, un indicador "ALARM RESET" (Apagar alarma) aparecerá debajo del teclado "ON / OFF" (Encendido / Apagado).

NOTA

Después de una condición de alarma de temperatura alta, revise todos los productos perecederos para garantizar que son seguros para consumo.

USO DE SU CONTROL ELECTRÓNICO

NOTA

La alarma de temperatura puede ocurrir como resultado de un uso intensivo o la introducción de los contenidos calientes en el compartimiento de almacenamiento. Si la alarma de temperatura persiste, su unidad puede requerir servicio.

NOTA



La alarma audible se puede silenciar, para cada ocurrencia, para pulsando la tecla "Bloqueo".

Esta condición de alarma se puede apagar pulsando la tecla "Encendido / Apagado". Si se produce esta alarma, se recomienda que verifique el estado del contenido almacenado, aún cuando el artefacto funcione normalmente y la temperatura se haya recuperado, pues las variaciones de temperatura prolongadas pueden arruinar los alimentos perecederos

NOTA

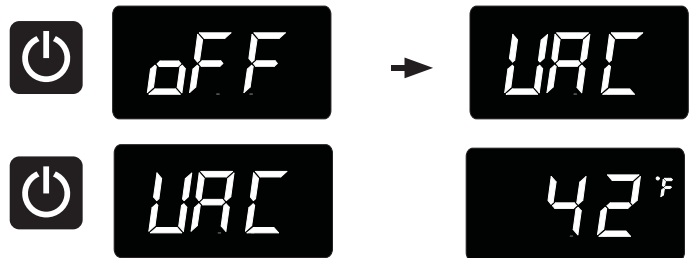
Door Ajar
Temp

También pueden aparecer varias alarmas al mismo tiempo. Por ejemplo, una alarma de "Puerta entreabierta" durante un tiempo prolongado puede generar una alarma por temperatura "Temp" con la activación simultánea de ambos indicadores.

Modo Vacaciones:

Este modo de operación se puede utilizar para ahorrar energía mediante la desactivación de las luces, los tonos de alarma y los tonos de entrada de teclado durante los períodos en los que el costo de la energía es elevado, o cuando el artefacto no será utilizado durante un tiempo prolongado. El modo Vacaciones también sirve como modo de reposo sabático mediante la desactivación de las funciones y los controles de acuerdo con el Shabat y las fiestas religiosas observadas por la comunidad judía ortodoxa. Cuando se utiliza como modo de reposo sabático, puede abrir o cerrar la puerta en cualquier momento para acceder al contenido sin preocuparse del encendido o apagado de luces, indicaciones digitales, solenoides, ventiladores, válvulas, compresor, íconos, tonos audibles o alarmas.

Cuando este modo está activado, la pantalla, los indicadores y tonos de alarma, los tonos de entrada del teclado, las luces interiores y todas las opciones están desactivadas. Todas las funciones del teclado están desactivadas excepto la de la tecla "Encendido / Apagado", necesaria para salir del modo Vacaciones. Las temperaturas del compartimiento de almacenamiento son supervisadas y controladas en la configuración antes de entrar en el modo Vacaciones.



Para acceder al modo Vacaciones (con el control fuera del modo de espera), mantenga pulsada la tecla "Encendido / Apagado" hasta que la pantalla deje de mostrar "OFF" y aparezca "VAC". La pantalla parpadeará "VAC" 3 veces para reconocer su solicitud, a continuación, mostrará "VAC" continuamente hasta que se salga del modo Vacaciones. Un corte de energía no producirá la salida del modo Vacaciones, esto solo puede llevarse a cabo manualmente. Para salir del modo Vacaciones y volver al funcionamiento normal, mantenga pulsada la tecla "Encendido / Apagado" hasta que el control muestre la temperatura.

CONFIGURACIONES DE ESTANTES

Consejos y sugerencias para cargar el refrigerador

Su artefacto está equipado con un sistema de estantes en voladizo que ofrece muchas posibilidades de ajuste y se adapta a distintas disposiciones de estantes, enumeradas a continuación.

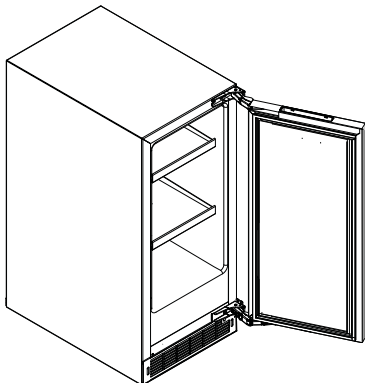


Figura 11

VBUI5150 Centro de bebidas:

Modelos de 15" (38,1 cm) de ancho:

Ilustrado con una puerta de vidrio (vea la Figura 11).

- (2) estantes en voladizo con marco y vidrio plano (vea la Figura 14).

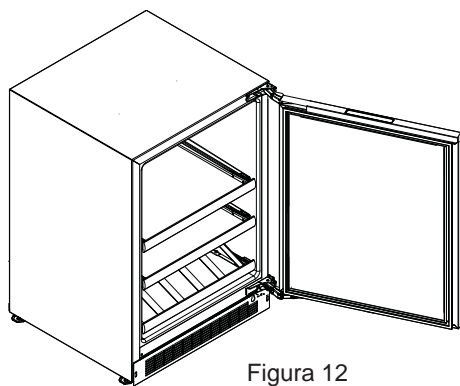


Figura 12

VBUI5240 Centro de bebidas:

Modelos de 24" (61 cm) de ancho:

Ilustrado con una puerta de vidrio (vea la Figura 12).

- (2) estante en voladizo con vidrio plano y cortes para vinos (vea la Figura 15).
- (1) gaveta exhibidora deslizable para 5 botellas con estera amortiguadora de vibraciones. (vea la Figura 16).

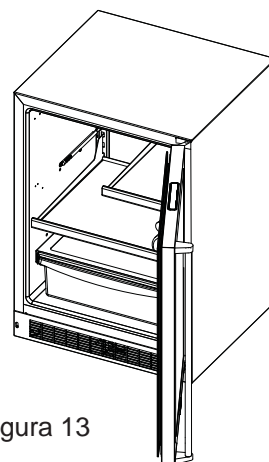


Figura 13

VRUI5240 Refrigerador:

Modelos de 24" (61 cm) de ancho:

Ilustrado con una puerta de vidrio (vea la Figura 13).

- (1) estante en voladizo con vidrio plano, medio ancho (vea la Figura 14).
- (1) estante en voladizo con vidrio plano y cortes para vinos (vea la Figura 15).
- (1) cubierta para alimentos frescos compuesta por marco y vidrio plano.
- (1) bandeja para alimentos frescos deslizable sobre rodillos

Para desmontar la bandeja para alimentos frescos, proceda como se indica a continuación:

Tire de la bandeja hasta el tope. Levante la parte delantera de la bandeja, y retírela del marco.

CONFIGURACIONES DE ESTANTES

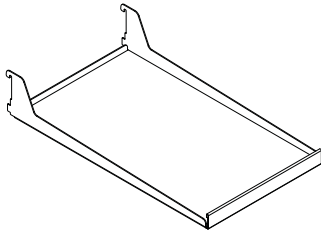
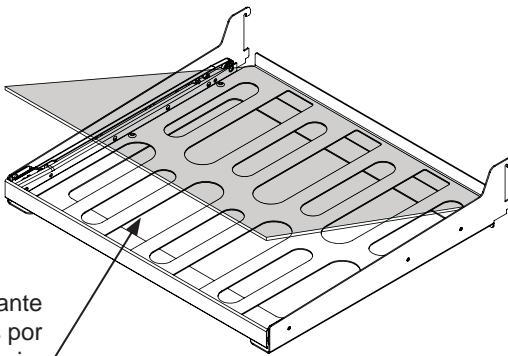


Figura 14
Estante con marco y vidrio plano.



Vidrio con estante
para vinos por
debajo.

Figura 15
Découpe de vin et plateau de verre plat avec tapis
d'amortissement des vibrations, le verre peuvent être enlevés
pour le stockage du vin.

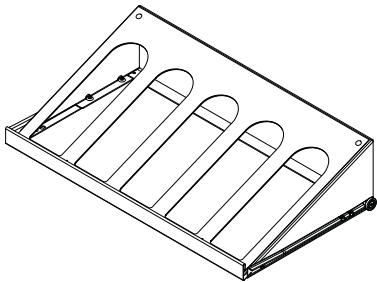


Figure 16
Gaveta exhibidora deslizante para 5 botellas con estera
amortiguadora de vibraciones

CONFIGURACIONES DE ESTANTES



PRECAUCION

Antes de cargar el estante en voladizo presiónelo hacia abajo para verificar que está bien asegurado en los soportes.

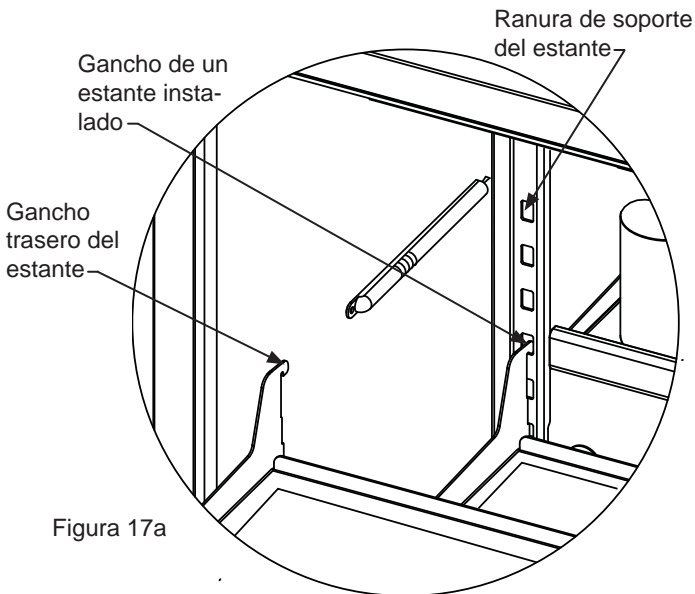


Figura 17a

Para agregar o desmontar un estante, proceda como se indica a continuación

Retire los productos almacenados del estante. No trate de desmontar del artefacto un estante cargado. Sujete el estante por la parte delantera con ambas manos, gire el frente hacia arriba y retire el estante (vea la Figura 17b). Para instalar un estante, inserte los ganchos del estante en las ranuras de los soportes del estante y bájelo de manera que los ganchos encajen en la parte inferior de las ranuras.

Espacio para almacenar botellas altas

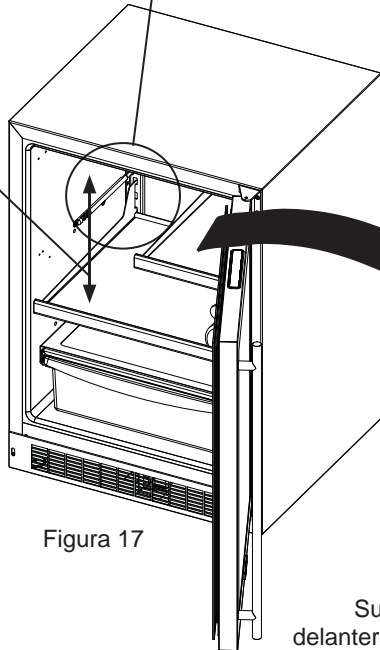


Figura 17

Sujete el estante por la parte delantera con ambas manos y gire el frente del estante hacia arriba. Luego levante el estante hacia arriba y retírelo de los soportes.

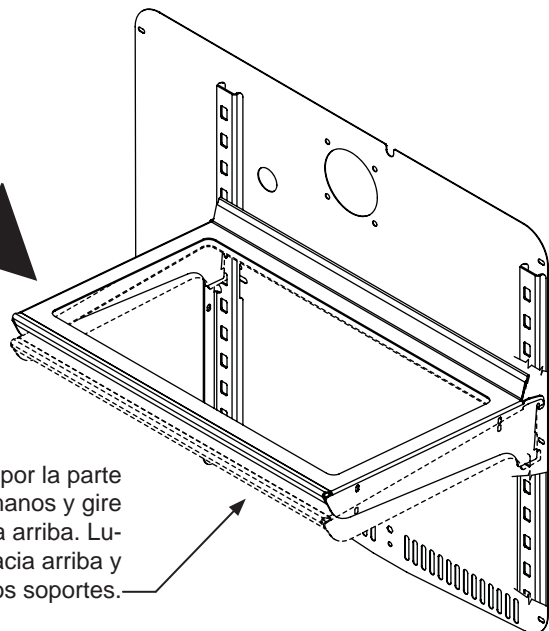


Figura 17b



PRECAUCION

Nunca trate de mover un estante cargado, retire todos los productos del estante antes de moverlo. Use ambas manos para mover el estante.

Rejilla frontal

Verifique que nada obstruye el flujo de aire requerido en las aberturas delanteras del gabinete. Cepille o limpie con una aspiradora las pelusas y suciedad acumuladas en las aberturas de la rejilla al menos una o dos veces al año (vea la página 4).



PELIGRO DE CHOQUE ELÉCTRICO: Desconecte la alimentación eléctrica del artefacto antes de limpiarlo con agua y jabón.

Gabinete

El gabinete pintado puede lavarse con agua jabonosa tibia y enjuagarse con agua limpia. NUNCA use limpiadores abrasivos.

Interior

Lave el compartimiento interior con agua jabonosa tibia. NO utilice limpiadores abrasivos, disolventes, limpiadores pulidores ni detergentes puros.

Cuidado del artefacto

1. Evite apoyarse en la puerta, podría doblar las bisagras de la puerta o inclinar el artefacto.
2. Tenga cuidado al barrer, pasar la aspiradora o fregar cerca del frente del artefacto pues podría dañar la rejilla.
3. Limpie periódicamente el interior de la unidad según sea necesario.
4. Revise o limpie periódicamente la rejilla delantera según sea necesario.

Ante una falla en la alimentación eléctrica, proceda como se indica a continuación

Si se interrumpe la alimentación eléctrica, trate de corregirla lo antes posible. Reduzca al mínimo las aperturas de la puerta durante la interrupción del servicio eléctrico pues ello afecta negativamente la temperatura de la unidad.

Reemplazo del equipo de iluminación interior

Todos los modelos utilizan lámparas LED para iluminar el interior del artefacto. Este componente es muy confiable, pero si una lámpara falla, comuníquese con un técnico de servicio calificado para que reemplace el LED.

Las siguientes sugerencias reducirán al mínimo el costo de utilización de su artefacto de refrigeración.

1. No instale el artefacto cerca de un electrodoméstico que emita calor (cocina, lavavajillas, etc.), conductos de calefacción y otras fuentes de calor.
2. Instale el producto alejado de la luz solar directa.
3. Verifique que los orificios de ventilación de la rejilla delantera del artefacto ubicada bajo la puerta no estén obstruidos y manténgalos limpios para permitir la evacuación del calor que genera el sistema de refrigeración.
4. Conecte el artefacto a un circuito de alimentación exclusivo (no compartido con otros equipos).
5. La primera vez que cargue su nuevo artefacto, o cuando coloque grandes cantidades de productos calientes en el compartimiento de almacenamiento refrigerado, abra la puerta la menor cantidad de veces posible durante las siguientes 12 horas para permitir que el contenido alcance la temperatura programada.
6. Mantenga el compartimiento de almacenamiento relativamente lleno; el artefacto funcionará durante menos tiempo que con el compartimiento vacío.
7. Verifique que el cierre de la puerta no esté obstruido por los productos almacenados en el artefacto.
8. Si el producto que será almacenado está caliente, deje que alcance la temperatura ambiente antes de colocarlo en el artefacto.
9. Reduzca al mínimo la cantidad de veces que abre la puerta y el tiempo en que esta permanece abierta.
10. Utilice la temperatura de consigna más cálida que se adapte a sus preferencias personales y que ofrezca el almacenamiento más adecuado para sus productos.
11. Cuando esté de vacaciones o fuera de casa durante períodos prolongados, ajuste el artefacto a la temperatura más cálida aceptable por los productos almacenados.
12. Si la limpieza del artefacto requiere que la puerta permanezca abierta durante un período prolongado, ajuste el control a la posición de apagado "Off".
13. Para el almacenamiento de vino:
Si no se necesita que la temperatura de los vinos sea la de servir, ajuste la temperatura de los compartimientos a la ideal (13° C / 55° F) para el almacenamiento prolongado de vino tinto y blanco.

INFORMACIÓN DE SERVICIO

Si necesita servicio, llame a una agencia de servicio autorizada.

Tenga la siguiente información fácilmente disponible:

- Número de modelo
- Número de serie
- Fecha de compra
- Nombre del distribuidor donde se efectuó la compra

Describa claramente el problema que está teniendo. Si no puede conseguir el nombre de una agencia de servicio autorizada, o sigue teniendo problemas de servicio, comuníquese con Viking Range, LLC llamando al teléfono (888) 845-4641, o escriba a:

VIKING RANGE, LLC
PREFERRED SERVICE
111 Front Street
Greenwood, Mississippi 38930 USA.

El número de serie y de modelo de su horno se encuentra en la placa de identificación situada en el lado izquierdo inferior de la abertura de la puerta del horno debajo del panel de control.

Ingrese la información que se indica a continuación. Será necesaria en caso de precisar cualquier servicio de reparación. El modelo y número de serie de su plancha para cocinar los puede encontrar debajo de la unidad.

N.º de modelo _____

N.º de serie _____

Fecha de compra _____

Fecha de instalación _____

Nombre del distribuidor _____

Dirección _____

Si el servicio de reparación requiere la instalación de piezas, utilice solo piezas autorizadas para no perder la cobertura de la garantía.

Guarde este manual ya que puede necesitar consultarlo en el futuro.

LOCALIZACIÓN DE FALLAS

Antes de llamar al servicio técnico siga estos consejos

Si el artefacto parece estar funcionando mal, lea primero este manual. Si el problema persiste, vea la guía de localización de fallas incluida a continuación. Antes de llamar al servicio técnico, localice el problema en la guía y consulte su causa y su solución. Tal vez el problema sea algo muy simple que puede resolverse sin llamar al servicio técnico. Sin embargo, puede ser necesario ponerse en contacto con su distribuidor o con un técnico de servicio calificado.



ADVERTENCIA

Peligro de electrocución

- Nunca intente reparar o realizar tareas de mantenimiento en el artefacto sin haberlo previamente desconectado de la alimentación eléctrica. Apagar el artefacto desde el control no desconecta la corriente eléctrica de los cables del artefacto.
- Vuelva a colocar todas las piezas y paneles antes de poner en funcionamiento.



PRECAUCION

En el caso improbable que usted pierda enfriamiento en su unidad, **no desenchufe la unidad fuera del suministro eléctrico**, y llame inmediatamente un técnico de servicio calificado. Es posible que la pérdida de capacidad de enfriamiento sea el resultado de una acumulación excesiva de escarcha en el serpentín de enfriamiento del evaporador. En este caso, retirar la energía que va hacia la unidad resultará en el derretimiento de esta cantidad excesiva de hielo, lo cual podría generar que el agua derretida exceda la capacidad del sistema colector de agua descongelada y podría resultar en daño por agua de su casa. El usuario final será el responsable final de cualquier daño por agua causado por apagar prematuramente la unidad sin manejar apropiadamente el exceso de agua de rebose.

Problema	Causa posible	Solución
El artefacto no enfría lo suficiente (vea "Ajuste de la temperatura" en la página 9).	<ul style="list-style-type: none"> • El control está ajustado a una temperatura muy alta. • La temperatura del contenido no se ha estabilizado. • Uso excesivo o aperturas prolongadas de la puerta. • Obstrucción del flujo de aire en la rejilla delantera. • La junta de la puerta no sella correctamente. 	<ul style="list-style-type: none"> • Ajuste a una temperatura más fría. Espere 24 horas hasta que la temperatura se estabilice. • Deje que la temperatura se estabilice por al menos 24 horas. • El flujo de aire por la rejilla delantera no debe estar obstruido. Vea "Espacios libres" en la página 4. • Revise la alineación de la puerta y/o reemplace la junta de la puerta.
El artefacto enfría demasiado (vea "Ajuste de la temperatura" en la página 9).	<ul style="list-style-type: none"> • El control está ajustado a una temperatura muy baja. • La junta de la puerta no sella correctamente. 	<ul style="list-style-type: none"> • Ajuste a una temperatura más cálida. Espere 24 horas hasta que la temperatura se estabilice. • Revise la alineación de la puerta y/o reemplace la junta de la puerta.
La luz interior no funciona.	<ul style="list-style-type: none"> • Falla en el dispositivo de iluminación LED o en el interruptor de la luz. 	<ul style="list-style-type: none"> • Comuníquese con un técnico de servicio calificado.
La luz no se apaga al cerrar la puerta.	<ul style="list-style-type: none"> • La luz ha sido encendida desde el control (sólo modelos con puerta de vidrio). • La puerta no activa el interruptor de la luz. • Falla del interruptor de la luz. 	<ul style="list-style-type: none"> • Apague la luz desde el control, cierre la puerta. • El artefacto está desnivelado; nivele el artefacto (vea "Patas niveladoras" en la página 4). • Comuníquese con un técnico de servicio calificado.
Ruido o vibración.	<ul style="list-style-type: none"> • El artefacto está desnivelado. • El ventilador golpea contra una obstrucción en el conducto. 	<ul style="list-style-type: none"> • Nivele el artefacto, vea "Patas niveladoras" en la página 4. • Comuníquese con un técnico de servicio calificado.
El artefacto no funciona.	<ul style="list-style-type: none"> • El artefacto está apagado. • El cordón de alimentación no está enchufado. • No hay energía en la toma de corriente. 	<ul style="list-style-type: none"> • Encienda el artefacto. Vea "Puesta en funcionamiento de su artefacto" en la página 8. • Enchufe el cordón de alimentación. • Revise el circuito de la casa.

GARANTÍA DE PRODUCTOS ELECTRODOMÉSTICOS

GARANTÍA REFRIGERADOR BAJO MOSTRADOR / CENTRO DE BEBIDAS GARANTÍA TOTAL DE DOS AÑOS

Se garantiza que los todos los **Refrigerador bajo mostrador / Centro de bebidas** y todas sus piezas, excepto según se detalla a continuación*†, están libres de defectos en los materiales o la mano de obra bajo uso residencial normal por un periodo de dos (2) años a partir de la compra minorista original. Viking Range, LLC, el garante, acepta reparar o reemplazar, a su opción, cualquier pieza que no funcione o que se determine defectuosa durante el periodo de la garantía.

***GARANTÍA COSMÉTICA TOTAL DE 90 (NOVENTA) DÍAS:** Se garantiza que el producto está libre de defectos cosméticos en los materiales o la mano de obra (como rayones en el acero inoxidable, imperfecciones en la pintura/porcelana, etc.) por un periodo de 90 (noventa) días a partir de la fecha de compra minorista original o a la fecha de cierre por una nueva construcción, el periodo que sea mayor. Todo defecto se deberá reportar al vendedor en un lapso de 90 (noventa) días a partir de la fecha de la compra minorista original. Viking Range, LLC utiliza procesos y material de alta calidad para producir todos los acabados de color. Sin embargo, es posible que se observen leves variaciones de color debido a las diferencias inherentes de las partes pintadas y de las partes de porcelana, así como las diferencias en la iluminación de la cocina, las ubicaciones del producto y otros factores. Por lo tanto, esta garantía no aplica a la variación de color que se atribuya a dichos factores.

†GARANTÍA TOTAL DE 90 (NOVENTA) DÍAS EN APLICACIONES “RESIDENCIALES PLUS”. Esta garantía total es válida para las aplicaciones en las que el uso del producto vaya más allá del uso residencial normal; no obstante, el periodo de garantía para los productos que se usen en tales aplicaciones será de 90 (noventa) días. Ejemplos de aplicaciones que esta garantía cubre son las casas de alojamiento con desayuno, estaciones de bomberos, clubes privados, iglesias, yates, etc. Bajo esta garantía “Residencial Plus”, se garantiza que el producto, sus componentes y accesorios, estarán libres de defectos en los materiales o la mano de obra por un periodo de noventa (90) días a partir de la fecha de compra minorista original. Esta garantía excluye el uso del producto en locales comerciales tales como restaurantes, servicios alimenticios y servicios alimenticios institucionales.

GARANTÍA TOTAL DE SEIS AÑOS EN LAS PIEZAS DE REFRIGERACIÓN SELLADAS COMO SE INDICA

Se garantiza que los componentes sellados del sistema de refrigeración, como se listan abajo, estarán libres de defectos en los materiales y la mano de obra bajo uso doméstico normal durante el tercero y hasta el final del sexto año a partir de la compra minorista original. Viking Range, LLC, el garante, acepta reparar o reemplazar, a su opción, cualquier pieza que no funcione o que se determine defectuosa durante el periodo de la garantía.

Componentes sellados del sistema de refrigeración: Compresor, evaporador, condensador, tubo de conexión, secador/cedazo

GARANTÍA LIMITADA DE DOCE AÑOS EN LAS PIEZAS DE REFRIGERACIÓN SELLADAS COMO SE INDICA

Cualquier componente sellado del sistema de refrigeración, como se lista arriba, que falle debido a materiales o mano de obra defectuosa bajo uso doméstico normal durante el séptimo al doceavo año a partir de la fecha de la compra minorista original será reparado o reemplazado, sin costo alguno por la pieza misma, y corriendo todos los costos a cargo del propietario, inclusive la mano de obra.

TÉRMINOS Y CONDICIONES

Esta garantía se extiende al comprador original del producto garantizado y a cada propietario subsiguiente del producto durante el término de la garantía, y aplica a los productos que se compren y encuentren en Estados Unidos y Canadá. Los productos se deben haber comprado en el país en el que se requiere servicio. Si el producto o una de sus piezas componentes tiene un defecto o funciona mal durante el periodo completo de la garantía, después de un número razonable de intentos por parte del garante para corregir los defectos o el mal funcionamiento, el propietario tiene derecho a recibir un reembolso o al reemplazo del producto o de su pieza o piezas componentes. El reemplazo de una pieza incluye su instalación gratuita, excepto como se especifica bajo la garantía limitada. De acuerdo con los términos de esta garantía, un agente o representante de servicio autorizado por Viking Range, LLC autorizado por la fábrica debe proporcionar el servicio. El servicio se dará dentro del horario normal de oficina y la mano de obra que se dé durante horas extras o con tarifas especiales no estará cubierto por esta garantía.

El propietario será responsable de la instalación adecuada, de dar un mantenimiento razonable y necesario, de proporcionar comprobante de compra si se le solicita y de hacer que el aparato esté razonablemente accesible para llevar a cabo el servicio. La devolución de la Tarjeta de registro del propietario no es una condición para la cobertura de la garantía. Sin embargo, debe devolver la Tarjeta de registro del propietario para que Viking Range, LLC pueda comunicarse con usted en caso de que surja algún problema de seguridad que pudiese afectarle a usted.

Esta garantía le otorga derechos legales específicos, y es posible que tenga otros derechos que pueden variar entre jurisdicciones.

LO QUE ESTA GARANTÍA NO CUBRE: Esta garantía no aplica por los daños que sean el resultado de abuso, falta de un mantenimiento razonable y necesario, accidente, entrega, negligencia, desastres naturales, falta en el suministro de energía eléctrica al producto por alguna razón, alteración, uso en exteriores, instalación inadecuada, manejo inadecuado o que la reparación o servicio que se dé a producto sea efectuada por terceros que no sea una agencia o representante autorizado de Viking Range Corporation. Esta garantía no aplica a usos comerciales.

LIMITACIÓN DE SOLUCIONES Y DURACIÓN DE LA GARANTÍA IMPLÍCITA

EL RECURSO ÚNICO Y EXCLUSIVO DEL PROPIETARIO POR UNA RECLAMACIÓN DE CUALQUIER TIPO REFERENTE A ESTE PRODUCTO SERÁN LOS RECURSOS DISPUESTOS ARRIBA. VIKING NO ES RESPONSABLE DE DAÑOS RESULTANTES O INCIDENTALES, INCLUIDOS PERO SIN LIMITARSE A LA PÉRDIDA DE COMIDA O MEDICINA DEBIDO A LA FALLA DEL PRODUCTO, YA SEA QUE RESULTE DE UNA VIOLACIÓN DE LA GARANTÍA, INCUMPLIMIENTO DEL CONTRATO O DE OTRA CAUSA. Algunas jurisdicciones no permiten la exclusión ni la limitación de daños incidentales ni resultantes, de manera que es posible que la limitación o exclusiones indicadas no apliquen en su caso. **Todas las garantías implícitas de comercialización o idoneidad para un propósito particular aplicable a este producto se limitan en duración al periodo de cobertura de las garantías limitadas expresadas por escrito aplicables que se disponen arriba.** Algunos estados no permiten la limitación en la duración de una garantía implícita, de manera que la limitación de arriba puede no aplicar en su caso.

SERVICIO DURANTE LA GARANTÍA

Para obtener servicio durante la garantía, comuníquese con un representante de servicios de Viking Range, LLC o a Viking Range, LLC, 111 Front Street, Greenwood, Mississippi 38930, (888) 845-4641. Proporcione los números de modelo y de serie y la fecha de compra original o la fecha de cierre en caso de construcciones nuevas. Si desea saber el nombre de la agencia de servicio autorizada por Viking Range, LLC más cercana, llame a Viking Range, LLC.

IMPORTANTE: Retenga el comprobante de la compra original para establecer el periodo de la garantía.

Las especificaciones están sujetas a cambio sin previo aviso.

Viking Range, LLC
111 Front Street
Greenwood, Mississippi 38930 USA.
(662) 455-1200

Para obtener información del producto, llame al teléfono 1-888-(845-4641)
o visite el sitio web en vikingrange.com.