



# OWNER'S MANUAL

**30" Integrated Bottom-Freezer Refrigerator**

**30" Integrated Wine Reserve Refrigerator**

ENGLISH/FRANÇAIS/ESPAÑOL.

# TABLE OF CONTENTS

<b>MODEL INFORMATION</b> .....	2
<b>CONSUMER SUPPORT</b> .....	3
<b>SAFETY INFORMATION</b> .....	4
<b>CONTROLS</b> .....	6
Temperature Controls .....	6
Changing Display Temperature .....	6
Child Control Lockout .....	6
Alarm .....	7
<b>FEATURES</b> .....	7
<b>ALL MODELS</b>	
Automatic Icemaker .....	8
Accessing the Icemaker and Freezer Drawer .....	8
Water Filter Cartridge .....	8
Customizable Drawer .....	9
External Moisture Control .....	9
LED Lighting .....	9
<b>BOTTOM FREEZER ONLY</b>	
Vegetable Pan .....	10
Lighted Vegetable Drawer Shelf .....	10
Adjustable Shelves .....	10
Door Bins .....	11
Wine / Beverage Rack .....	11
<b>WINE RESERVE ONLY</b>	
Wine Bottle Arrangement .....	12
<b>SABBATH MODE</b> .....	13
<b>CARE AND CLEANING</b> .....	14
Cleaning Outside .....	14
Cleaning Inside .....	14
Preparing for Vacation .....	14
Interior Light Replacement .....	14
<b>PREPARATION</b> .....	15
Refrigerator Location .....	15
Clearances .....	15
<b>TROUBLESHOOTING</b> .....	16
<b>PERFORMANCE DATA SHEET</b> .....	18
<b>MONOGRAM LIMITED WARRANTY</b> .....	19

## MODEL INFORMATION

### MODEL NUMBERS

ZIC303NP\*II, ZIK303NP\*II, ZIW303NP\*II

---

### WRITE DOWN THE MODEL AND SERIAL NUMBERS

You'll see them on a label inside the upper compartment toward the bottom.

**Please write these numbers here:**

---

Model Number

---

Serial Number

Use these numbers in any correspondence or service calls concerning your appliance.

# CONSUMER SUPPORT

## MONOGRAM WEBSITE

Have a question or need assistance with your appliance? Try the Monogram website 24 hours a day, any day of the year! You can also shop for more great Monogram products and take advantage of all our on-line support services designed for your convenience. In the US: [monogram.com](http://monogram.com) or in Canada: [monogram.ca](http://monogram.ca)

---

## REGISTER YOUR APPLIANCE

Register your new appliance on-line at your convenience! Timely product registration will allow for enhanced communication and prompt service under the terms of your warranty, should the need arise. You may also mail in the pre-printed registration card included in the packing material. In the US: [monogram.com/register](http://monogram.com/register) or in Canada: [Prodsupport.mabe.ca/crm/Products/ProductRegistration.aspx](http://Prodsupport.mabe.ca/crm/Products/ProductRegistration.aspx)

---

## SCHEDULE SERVICE

Expert Monogram repair service is only one step away from your door.

To request service in the US, visit our website at [monogram.com/contact](http://monogram.com/contact) or in Canada, visit our website at [monogram.ca/contact](http://monogram.ca/contact)

---

## REMOTE CONNECTIVITY

For assistance with wireless network connectivity (for models with remote enable), visit our website at [monogram.com/connect](http://monogram.com/connect)

---

## PARTS AND ACCESSORIES

Individuals qualified to service their own appliances can have parts or accessories sent directly to their homes (VISA, MasterCard and Discover cards are accepted). Order on-line today 24 hours every day.

In the US: [monogram.com/use-and-care/parts](http://monogram.com/use-and-care/parts)

**Instructions contained in this manual cover procedures to be performed by any user. Other servicing generally should be referred to qualified service personnel. Caution must be exercised, since improper servicing may cause unsafe operation.**

Customers in Canada should consult the nearest Mabe service center, visit our website at [monogram.ca](http://monogram.ca)

---

## CONTACT US

If you are not satisfied with the service you receive from Monogram, contact us on our website with all the details including your phone number, or write to:

In the US: General Manager, Customer Relations | Monogram Appliances, Appliance Park | Louisville, KY 40225  
[monogram.com/contact](http://monogram.com/contact)

In Canada: [monogram.ca/contact](http://monogram.ca/contact)

# IMPORTANT SAFETY INFORMATION

## READ ALL INSTRUCTIONS BEFORE USING THE APPLIANCE

### **⚠ WARNING**

To reduce the risk of fire, explosion, electric shock, or injury when using your refrigerator, follow these basic safety precautions:

- This refrigerator must be properly installed and located in accordance with the Installation Instructions before it is used.
- Unplug the refrigerator before making repairs, or cleaning.  
**NOTE:** Power to the refrigerator cannot be disconnected by any setting on the control panel.  
**NOTE:** Repairs must be performed by a qualified Service Professional.
- Do not try to replace a burned-out LED light. An authorized technician will need to replace the LED lights.
- Replace all parts and panels before operating.
- Do not use an extension cord.
- Do not store or use gasoline or other flammable vapors and liquids in the vicinity of this or any other appliance.
- Do not store explosive substances such as aerosol cans with a flammable propellant in this appliance.
- To prevent suffocation and entrapment hazards to children, remove the fresh food and freezer doors from any refrigerator before disposing of it or discontinuing its use.
- To avoid serious injury or death, children should not stand on, or play in or with the appliance.
- Children and persons with reduced physical, sensory or mental capabilities or lack of experience and knowledge can use this appliance only if they are supervised or have been given instructions on safe use and understand the hazards involved.
- This appliance is intended to be used in household and similar applications such as: staff kitchen areas in shops, offices and other working environments; farm houses; by clients in hotels, motels, bed & breakfast and other residential environments; catering and similar non-retail applications.

### **⚠ CAUTION**

To reduce the risk of injury when using your refrigerator, follow these basic safety precautions.

- Do not clean glass shelves or covers with warm water when they are cold. Glass shelves and covers may break if exposed to sudden temperature changes or impact, such as bumping or dropping. Tempered glass is designed to shatter into many small pieces if it breaks.
- Keep fingers out of the “pinch point” areas; clearances between the doors and between the doors and cabinet are necessarily small. Be careful closing doors when children are in the area.
- Do not touch the cold surfaces in the freezer compartment when hands are damp or wet, skin may stick to these extremely cold surfaces.
- Do not refreeze frozen foods which have thawed completely.
- In refrigerators with automatic icemakers, avoid contact with the moving parts of the ejector mechanism, or with the heating element that releases the cubes. Do not place fingers or hands on the automatic ice making mechanism while the refrigerator is plugged in.

## INSTALLATION

### **⚠ WARNING** **EXPLOSION HAZARD**

Keep flammable materials and vapors, such as gasoline, away from refrigerator. Failure to do so can result in fire, explosion, or death.

# READ AND SAVE THESE INSTRUCTIONS

# IMPORTANT SAFETY INFORMATION

## READ ALL INSTRUCTIONS BEFORE USING THE APPLIANCE

### CONNECTING ELECTRICITY

#### **WARNING** **ELECTRICAL SHOCK HAZARD**

Plug into a grounded 3-prong outlet  
Do not remove the ground prong  
Do not use an adapter

Do not use an extension cord.  
Failure to follow these instructions can result in death, fire, or electrical shock.

**Do not, under any circumstances, cut or remove the third (ground) prong from the power cord. For personal safety, this appliance must be properly grounded.**

The power cord of this appliance is equipped with a 3-prong (grounding) plug which mates with a standard 3-prong (grounding) wall outlet to minimize the possibility of electric shock hazard from this appliance.

Have the wall outlet and circuit checked by a qualified electrician to make sure the outlet is properly grounded.

Where a standard 2-prong wall outlet is encountered, it is your personal responsibility and obligation to have it replaced with a properly grounded 3-prong wall outlet. Do not use an adapter. The refrigerator should always be plugged into its own individual electrical outlet which has a voltage rating that matches the rating plate.

A 115 Volt AC, 60 Hz, 15- or 20-amp fused, grounded electrical supply is required. This provides the best performance and also prevents overloading house wiring circuits which could cause a fire hazard from overheated wires.

Never unplug your refrigerator by pulling on the power cord. Always grip plug firmly and pull straight out from the outlet.

Immediately discontinue use of a damaged supply cord. If the supply cord is damaged, it must be replaced by a qualified service professional with an authorized service part from the manufacturer.

When moving the refrigerator away from the wall, be careful not to roll over or damage the power cord.

### PROPER DISPOSAL OF YOUR OLD REFRIGERATOR

#### **WARNING** **SUFFOCATION AND ENTRAPMENT HAZARD**

Failure to follow these disposal instructions can result in death or serious injury

**IMPORTANT:** Child entrapment and suffocation are not problems of the past. Junked or abandoned refrigerators are still dangerous even if they will sit for “just a few days.” If you are getting rid of your old refrigerator, please follow the instructions below to help prevent accidents.

#### **Before You Throw Away Your Old Appliance**

- Take off the refrigerator and freezer doors.
- Leave the shelves in place so that children may not easily climb inside.

#### **Refrigerant and Foam Disposal:**

Dispose of appliance in accordance with Federal and Local Regulations. Flammable refrigerant and insulation material used requires special disposal procedures. Contact your local authorities for the environmentally safe disposal of your appliance.

#### **WARNING** **FIRE OR EXPLOSION HAZARD** **Flammable Refrigerant**

**This appliance contains isobutane refrigerant, also known as R600a, a natural gas with high environmental compatibility. However, it is also combustible. Adhere to the warnings below to reduce the risk of injury or property damage.**

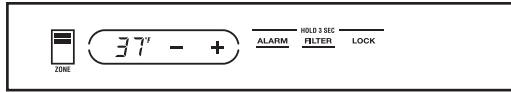
1. When handling, installing and operating the appliance, care should be taken to avoid damage to the refrigerant tubing.
2. Service shall only be performed by authorized service personnel. Use only manufacturer-authorized service parts.
3. Dispose of refrigerator in accordance with the Federal and Local Regulations. The flammable refrigerant and insulation material used in this product require special

disposal procedures. Contact your local authorities for the environmentally safe disposal of your refrigerator.

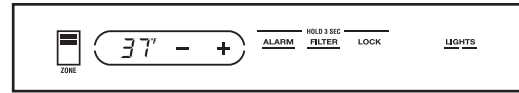
4. Keep ventilation openings in the appliance enclosures or in the built-in structure clear of obstruction.
5. To remove frost, scrape with a plastic or wood spatula or scraper. Do not use an ice pick or a metal or sharp-edged instrument as it may puncture the freezer liner and then the flammable refrigerant tubing behind it.
6. Do not use electrical appliances inside the food storage compartment of the appliance.
7. Do not use any electrical device to defrost your freezer.
8. Do not damage the refrigerant circuit.

## READ AND SAVE THESE INSTRUCTIONS

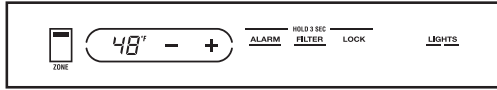
# CONTROLS



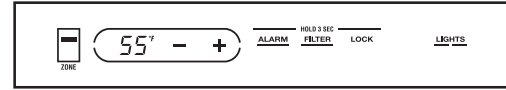
Bottom Freezer Upper Compartment – Solid Door Unit



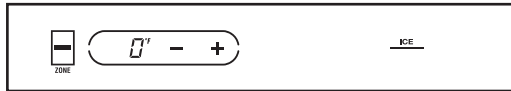
Bottom Freezer Upper Compartment – Glass Door Unit



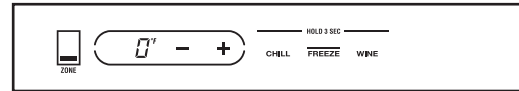
Wine Reserve Upper Compartment – Top Section – Glass Door Unit



Wine Reserve Upper Compartment – Bottom Section – Glass Door Unit



Upper Drawer – Freezer



Lower Drawer – Customizable

## TEMPERATURE CONTROLS

The temperature display shows the actual temperature of the upper compartment, freezer drawer or customizable drawer when each one is selected by toggling the Zone indicator. The actual temperature will vary from the set temperature based on factors such as frequency of door openings, amount of food, defrost cycling and room temperature.

**NOTE:** Frequent door openings or doors left open for periods of time may increase the internal temperature of the compartments temporarily.

To turn off the cooling system, toggle the **ZONE** indicator to the upper compartment mode. Press the plus (+) pad until the display shows **OFF**.

To turn the cooling system on, toggle the **ZONE** indicator to the desired compartment mode and press the plus (+) or minus (-) pad until the desired temperature is displayed.

To check the current temperature setting for a compartment, press the plus (+) or minus (-) pad once. After 5 seconds, the display will return to the actual temperature.

To change the temperature settings, press the plus (+) or minus (-) pad for each increment to the desired temperature set point. Allow 24 hours for the unit to reach the temperature you have set.

**NOTE:** Setting the controls to **OFF** stops cooling, but does not shut off electrical power to the unit. All readings in °C will be rounded.

Temperature Ranges				
	Bottom-Freezer		Wine Reserve Top and Bottom Sections	
	Low	High	Low	High
Upper Compartment	34°F (1°C)	46°F (8°C)	40°F (4°C)	65°F (18°C)
Freezer Drawer	-6°F (-21°C)	6°F (-14°C)	-6°F (-21°C)	6°F (-14°C)

Customizable Drawer Temperature Ranges		
	Low	High
Freezer	-6°F (-21°C)	6°F (-14°C)
Chill	34°F (1°C)	46°F (8°C)
Wine	40°F (4°C)	55°F (13°C)

## CHANGING DISPLAY TEMPERATURES FROM °F TO °C

To change the temperature display between Fahrenheit and Celsius, press both the plus (+) and minus (-) pads for 5 seconds.



## CHILD CONTROL LOCKOUT

This child control lockout feature prevents unwanted changes to your temperature settings.

After the desired temperature is set, the temperature can be locked. To lock, press and hold the **LOCK** button for 3 seconds. To unlock, press and hold the **LOCK** button for 3 seconds. To reset water filter or alarm, the control must be unlocked.

## ALARM

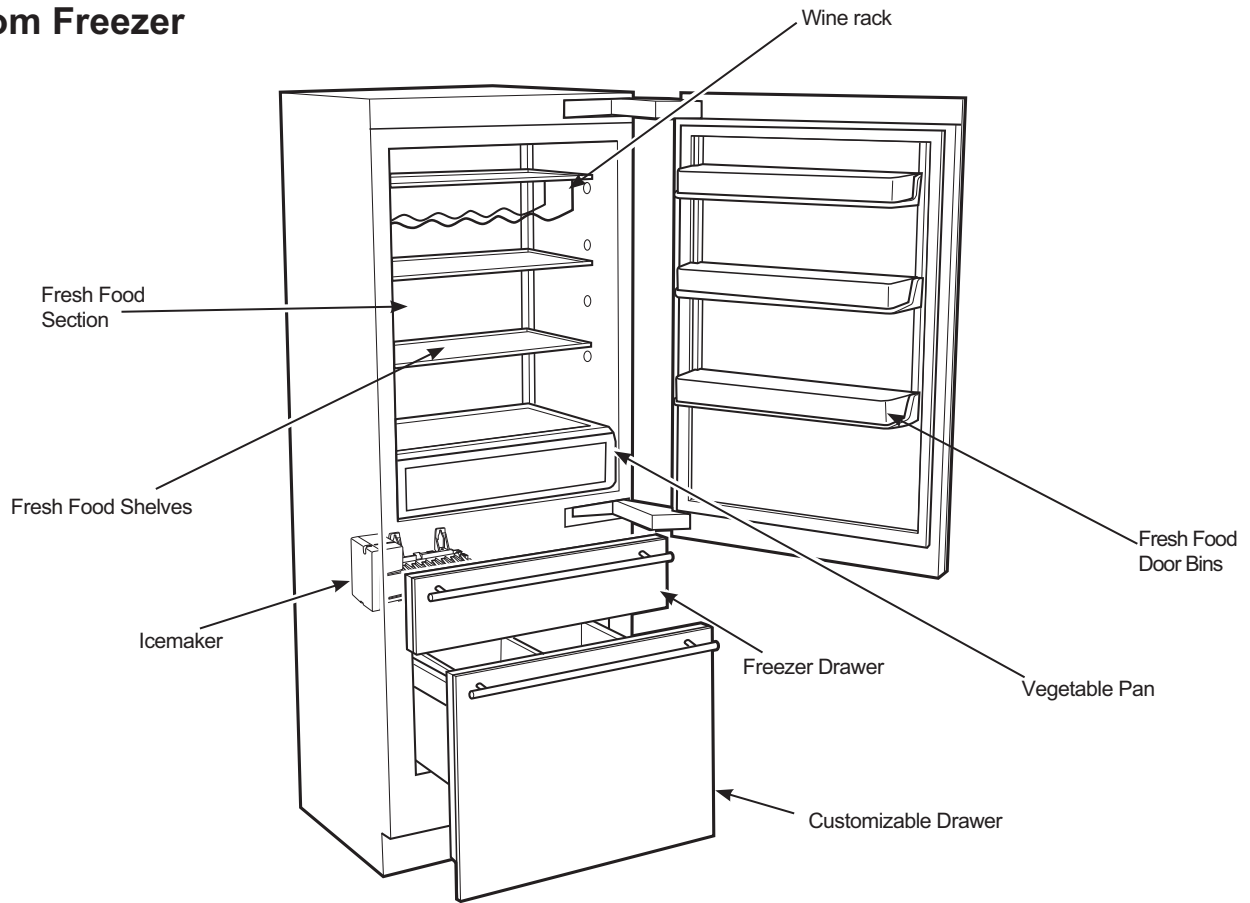
To turn the Alarm feature on, press and hold the **ALARM** button for 3 seconds. **ALARM** will be underlined when active. To turn off, press and hold the **ALARM** button for 3 seconds. The underline will disappear.

When the **ALARM** is active, the alarm will flash and beep if you keep the door open for more than 2 minutes.

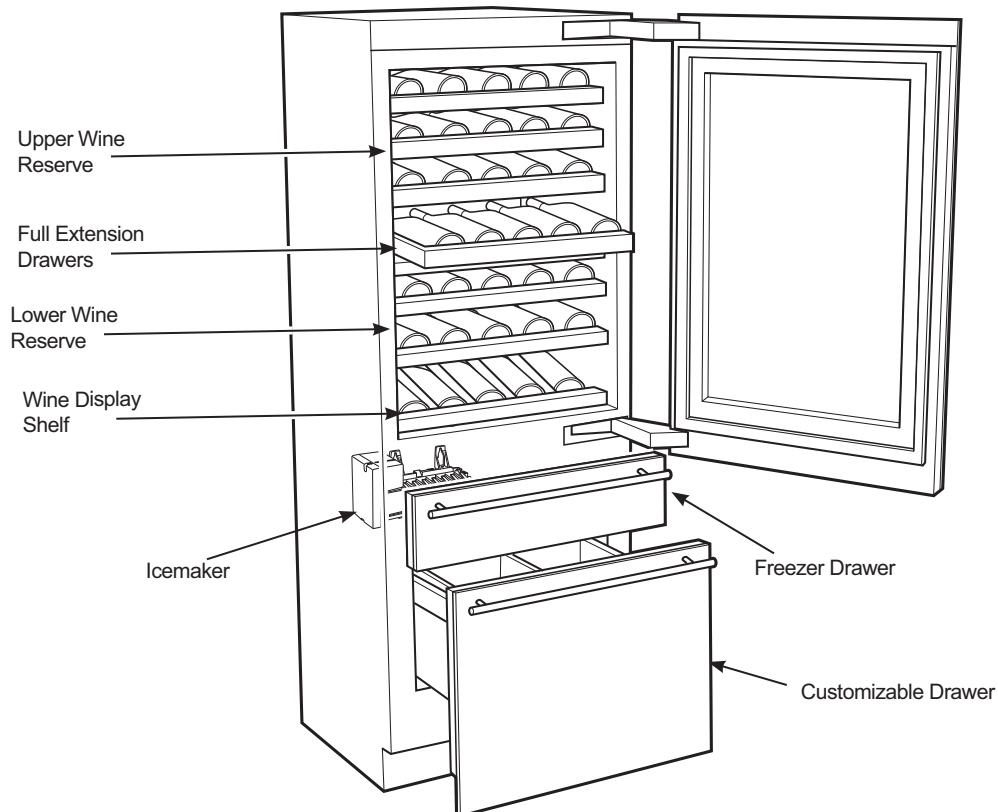


# FEATURES

## Bottom Freezer



## Wine Reserve



# FEATURES - ALL MODELS

## AUTOMATIC ICEMAKER

A newly installed refrigerator may take 12–24 hours to begin making ice. The refrigerator is shipped with the icemaker set to **ON**.

The icemaker will produce seven cubes per cycle—approximately 15 cycles in a 24-hour period, depending on freezer compartment temperature, room temperature, number of door openings and other use conditions.

If the refrigerator is operated before the water connection is made to the icemaker, set the icemaker to **OFF**. To set the icemaker to **OFF**, press the **ZONE** indicator on the control pad twice to select the freezer drawer. Press the **ICE** icon to the right. The line under **ICE** will disappear and the word **OFF** will show under **ICE**.

Throw away the first full bucket of ice.

Be sure nothing interferes with the sweep of the feeler arm.

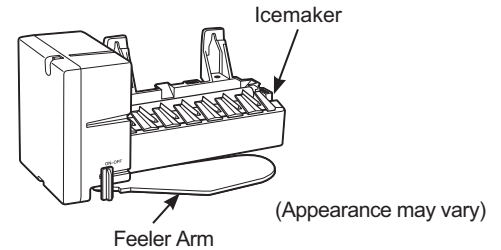
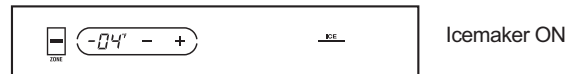
When the bin fills to the level of the feeler arm, the icemaker will stop producing ice.

It is normal for several cubes to be joined together.

If ice is not used frequently, old ice cubes will become cloudy, taste stale and shrink.

After the icemaker has been turned on again, there will be a delay of about 45 minutes before the icemaker resumes operations.

**NOTE:** In homes with lower-than-average water pressure, you may hear the icemaker water valve cycle on several times when making one batch of ice.



**NOTE:** Icemaker works best between 40 and 120 PSI home water pressure.

**NOTE:** On the front of the Icemaker there is a mechanical ON/OFF switch that slides left to right. This switch should remain in the **ON** (left position). The icemaker should be turned on and off using the electronic control.

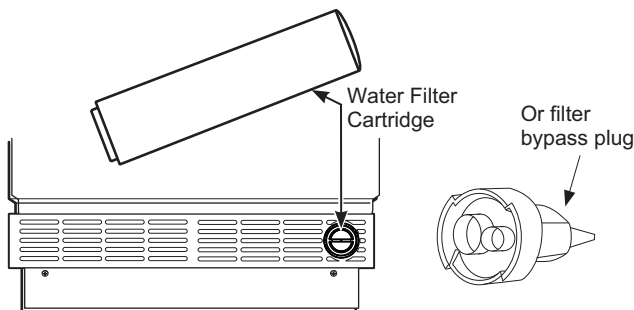
**CAUTION** Avoid contact with the moving parts of the ejector mechanism, or with the heating element (located on the bottom of the ice maker) that releases the cubes. Do not place fingers or hands on the automatic ice making mechanism while the refrigerator is plugged in.

## ACCESSING THE ICEMAKER AND FREEZER DRAWER

The icemaker is located on the ceiling of the freezer drawer and to the left rear. There is an LED strip in the freezer drawer ceiling. The freezer drawer contains 1 ice bin and 1 ice scoop.

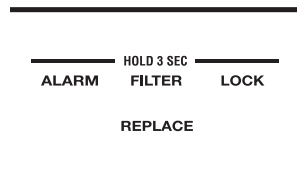
## WATER FILTER CARTRIDGE

The water filter cartridge is located below the customizable drawer on the lower-right side of the appliance.



### To Replace the Filter:

There is a replacement indicator light for the water filter cartridge on the control panel. The filter cartridge should be replaced when the word **REPLACE** appears beneath **FILTER** on the control panel.



**IMPORTANT:** Filter cartridge or filter bypass plug must be installed for ice production.

### Installing the Filter Cartridge:

1. Open the customizable drawer to gain access to the water filter cartridge.
2. Remove the old cartridge (or bypass plug) by twisting counterclockwise. Pull forward on filter/plug to remove.
3. Insert the new filter/plug into the compartment and twist clockwise until the filter/plug stops.

### Replacement filters and filter bypass plug:

To order additional filter cartridges or a filter bypass plug, visit our Website at [monogram.com](http://monogram.com).

**Filter Model Number:** XWFE

**Filter Bypass Plug:** WR17X33825

**Important Note:** Remove the water filter or filter bypass plug to immediately stop any water leak from the icemaker.



# FEATURES - ALL MODELS (Cont.)

## CUSTOMIZABLE DRAWER

The customizable drawer can be used as a freezer, as a fresh-food refrigerator or as a wine/beverage drawer.

### To customize your drawer:

Press the **ZONE** indicator on the control pad to select the customizable drawer.

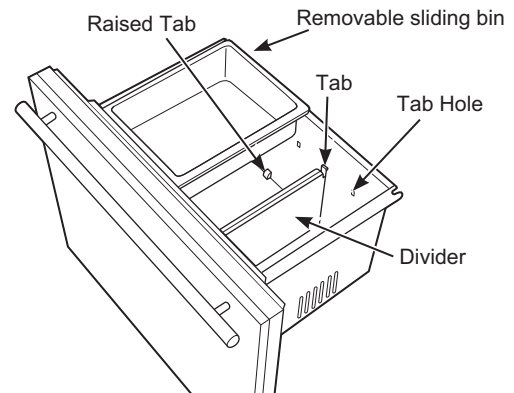
### Recommended Temperatures for Customizable Drawer:

Button	Function	Temperature
Chill	Fresh Food	37°F/3°C
Freezer	Freezer	0°F/-18°C
Wine	Wine Storage	55°F/13°C

This drawer has LED strip lighting above it. There is also one adjustable divider that can be placed in different positions and a bin that can slide left or right in the drawer.

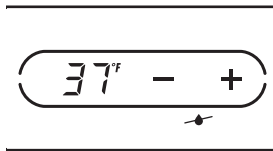
### To change the divider position:

1. Pull in the tabs at the top of the divider to release it from the tab holes at the front and back of the drawer.
2. Lift the divider off of the raised tabs at the bottom of the drawer.
3. Move the divider to its new location and slide it onto the raised tabs.
4. Pull in the tabs at the top of the divider and position the divider so the tabs will fit into the tab holes. Release the tabs so they lock into place.



## EXTERNAL MOISTURE CONTROL

This product is equipped with an external moisture control feature. The refrigerator is shipped with the external moisture control feature off.



In some humid environments, moisture can form on the front surface of the refrigerator cabinet. If moisture does appear on the front surface of the refrigerator cabinet, turn on the external moisture control feature by pressing and holding the **ALARM** and **LOCK** buttons on the control panel for 5 seconds. When activated, a small picture of a water droplet with a line through it will appear below the (+) and (-) signs on the control panel.

To turn off the external moisture control feature, press and hold the **ALARM** and **LOCK** buttons on the control panel for 5 seconds. The water droplet icon will disappear.

## LED DISPLAY LIGHTING

This unit has LED lighting on both sides of the interior as well as above the freezer drawer and above the customizable drawer.

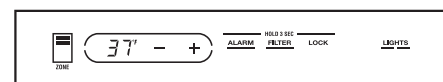
### Glass Door Models Only

The glass door models have a display light option for the interior side lights: full power and 1/2 power.

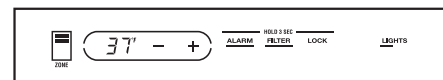
In display mode at either full or 1/2 power, the lights will stay on after the door is closed and automatically go off after 1 hour.

To access the lighting options, press the **ZONE** indicator on the control pad. In upper compartment mode, the **LIGHTS** button is to the right on the control pad. When lights are at full power, there are 2 bars under **LIGHTS**; at 1/2 power, there is 1 one bar; when the lights are off, there

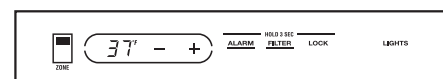
are no bars.



Lights at Full Power



Lights at 1/2 Power



Lights Off

# FEATURES - BOTTOM FREEZER ONLY

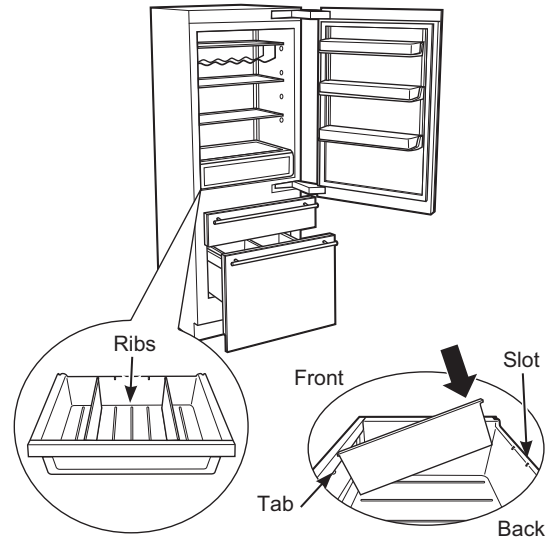
## VEGETABLE PAN

The Vegetable Pan in the fresh-food section of the refrigerator has LED strip lighting above the drawer.

There are adjustable dividers with several different position options. The divider is held in place by a tab located under the handle, a slot located on the back wall and a stabilizing rib on the bottom of the drawer.

### To change the divider position:

1. Pull up on the back of the divider to release it from the slot in the back and off of the tab in the front.
2. Slide the divider into a new location, making sure it seats into the rib on the bottom of the drawer.
3. Pull up on the back of the divider to locate the front under the tab at the new location.
4. Push down on the back of the divider to seat it into the slot at the new location.



## LIGHTED VEGETABLE DRAWER SHELF

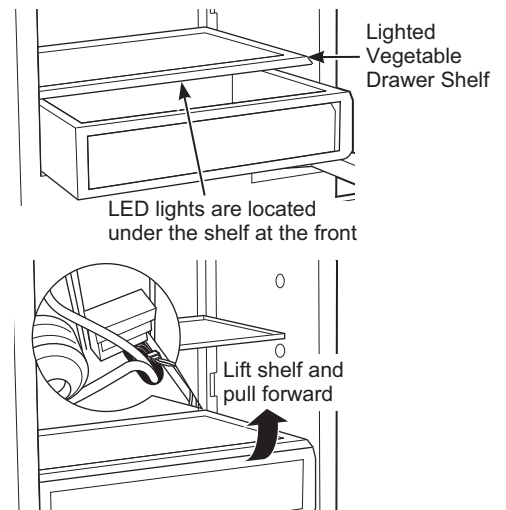
The lighted vegetable drawer shelf provides lighting for the lower compartments. The lights are recessed into the shelf to illuminate the drawers below.

To remove the shelf:

1. Lift the shelf and carefully pull forward to expose the wires.
2. Unplug the shelf and carefully remove it from the refrigerator.

To replace the shelf:

1. Carefully set the shelf onto the side rails, leaving the plug exposed.
2. Plug the shelf into the refrigerator.
3. Carefully slide the shelf into place.



## ADJUSTABLE SHELVES

Tempered glass shelves in the fresh food section enable you to make efficient shelf arrangements to fit your family's food storage needs.

**To adjust shelves:** Tilt the shelf up at the front and slide it up or down along the back wall to the placement you want.

**Handle glass shelves carefully. Rough handling of tempered glass can cause it to shatter.**

**To remove shelves:**

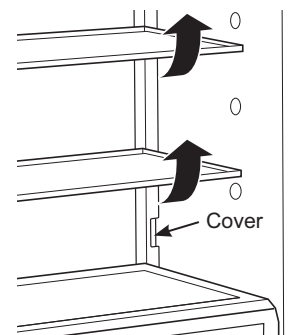
**NOTE:** To remove a shelf, all shelves under it must first be removed.

1. Remove any food from the shelf.
2. Remove covers at the bottom of each track.
3. Tilt the first shelf up at the front.
4. Slide the shelf down along the back wall until you reach the bottom where the notch is located. Slide the shelf through the notch.

5. Repeat for removing the other shelves.

**To replace shelves:**

Replace shelves by perform steps 1 through 4 in reverse.



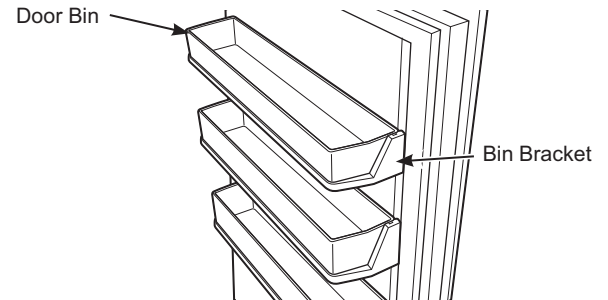
# FEATURES - BOTTOM FREEZER ONLY

## DOOR BINS

The door bins are removable. Lift bin out of the bin bracket to remove.

The bin brackets are adjustable and can move up and down to meet your storage needs.

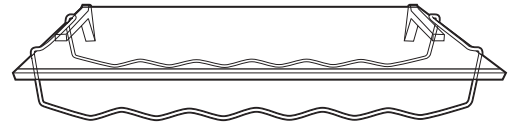
Do this by tilting the bin up at the front and sliding it up or down along the door to the placement you desire.



---

## WINE / BEVERAGE RACK

The wine/beverage rack fits onto one of the glass shelves in the fresh-food compartment. The rubber coating on the portions of the rack that sit on top of the shelf keeps the rack from slipping or scratching the shelf. The wine/beverage rack will hold 2-liter bottles, wine bottles and champagne bottles.

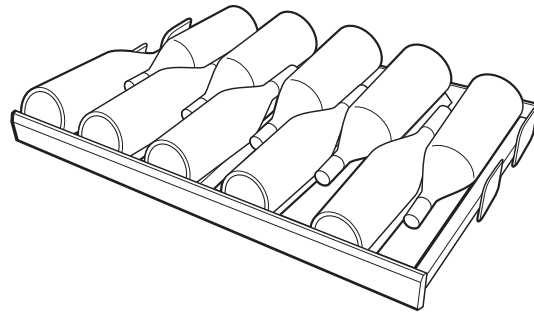


# FEATURES - WINE RESERVE ONLY

## WINE BOTTLE ARRANGEMENT

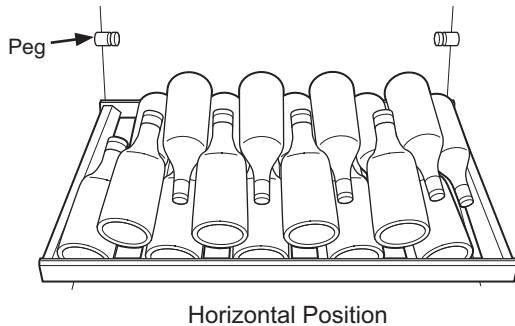
### Full-Extension Drawers

The top 6 drawers are full-extension drawers, with each drawer holding up to 10 bottles. The bottles will be stored with necks alternating from front to back

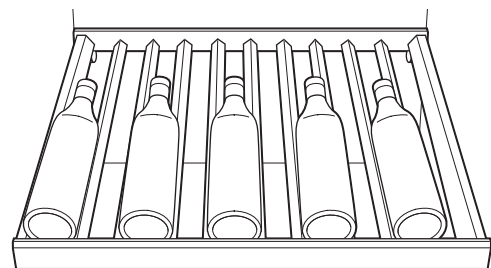


### Wine Display Shelf

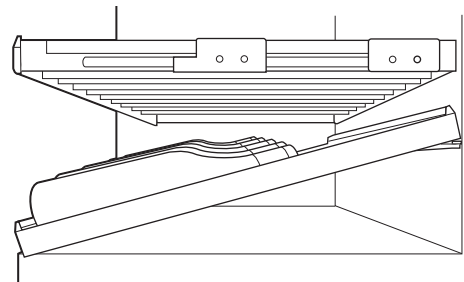
The wine display shelf can either be in a horizontal position or an angled position. The horizontal position can hold 18 bottles. The angled position holds 5 bottles. The shelf can be angled by lifting the shelf onto pegs on the back wall.



Horizontal Position



Angled Position



Angled Position

### Wine bottle loading tips and suggestions

- Keep wines that you plan to use for everyday drinking and entertaining on the front half of the full-extension drawers where labels are completely visible. Place wines for aging or longer-term storage in the rear.
- Do not allow children to climb, stand or hang on the wine reserve full-extension drawers. They could seriously injure themselves and possibly cause damage to the wine reserve.
- Group your wine inventory according to type: i.e. white wines in the cooler zones and red wines in the warmer zones.
- Store red and white wines in separate Zones so you can keep them at different temperatures.

# SABBATH MODE - ALL MODELS

## SABBATH MODE

The Sabbath Mode was designed for use on the Jewish Sabbath and Holidays. The Sabbath Mode feature makes it possible for observant Jews to refrigerate and freeze food during the duration of the holiday.

The Sabbath Mode feature can be set to override typical reactions caused by your interaction with the refrigerator. While in the Sabbath Mode, your refrigerator will still operate. However, the refrigerator will not respond to your actions.

While in the Sabbath Mode, you may notice the fan running when the door is opened, however, this is not a result of your actions. The fan will operate at predetermined times. The defrost heater will continue to defrost the refrigerator and freezer and will be activated on a timer. The defrost heater will not defrost as a result of door openings or any consumer actions.

**ON/OFF** — To activate the Sabbath Mode, hold down the **ALARM** button and **(+)** pad on the control panel for 5 seconds. **SAB** will be displayed on the control. **SAB** will remain in the display and the **(+)** pad and alarm button will remain lit until the Sabbath mode is deactivated. Controls and lights do not work until the **ALARM** button and **(+)** pad are held again for 5 seconds.

**DISPLAYS, ALARMS and LIGHTS** — The main temperature control displays will be deactivated, therefore they will not be lit, sound a tone or operate when touched. Door alarms and lights will be disabled.

**ICEMAKER** — The icemaker will continue to operate. The icemaker can be disabled by turning the icemaker **OFF** prior to the Sabbath (see Automatic Icemaker).

# CARE AND CLEANING

## CLEANING OUTSIDE

**Door handles and trim**—Clean with a cloth dampened with soapy water. Dry with a soft cloth.

**Keep the outside clean.** Wipe with a clean cloth lightly dampened with mild liquid dish detergent. Dry with a clean, soft cloth.

Do not wipe the unit with a soiled dish cloth or wet towel. These may leave a residue that can damage the finish. Do not use scouring pads, powdered cleaners, bleach or cleaners containing bleach because these products can scratch and damage the finish.

**Stainless steel** — The stainless steel doors and door handles (on some models) can be cleaned with a commercially available stainless steel cleaner. Cleaners with oxalic acid such as Bar Keepers Friend Soft Cleanser™ will remove surface rust, tarnish, and small blemishes. Use only a liquid cleaner free of grit and rub in the direction of the brush lines with a damp soft sponge. Do not use appliance wax or polish on the stainless steel.

**Custom Wood Panels** - please contact your custom panel supplier for direction on cleaning and care.

---

## CLEANING INSIDE

**Turn off power at the circuit breaker or fuse box before cleaning.** If this is not practical, wring excess moisture out of sponge or cloth when cleaning around switches, lights or controls.

Use warm water and baking soda solution - about a tablespoon (15 ml) of baking soda to a quart (1 liter) of water. This both cleans and neutralizes odors. Thoroughly rinse and wipe dry.

If this is not practical, remove excess moisture from sponge or cloth when cleaning around switches, lights, and controls.

**Other parts of the refrigerator** — including door gaskets, vegetable drawer, ice storage bins and all plastic parts— can be cleaned the same way. After cleaning the door gaskets, apply a thin layer of petroleum jelly to the door gaskets at the hinge side. This helps keep the gaskets from sticking and bending out of shape.

**⚠ CAUTION** Do not clean glass shelves or covers with warm water when they are cold. Glass shelves and covers may break if exposed to sudden temperature changes or impact such as bumping or dropping. Tempered glass is designed to shatter into many small pieces if it breaks. Do not wash any plastic parts in the dishwasher.

---

## PREPARING FOR VACATION

For long vacations or absences, remove food from the unit. Adjust the temperature up (+) until the unit turns off. Clean the interior with a baking soda solution of one tablespoon (15 ml) of baking soda to one quart (1 liter) of water. Leave the door open.

**For shorter vacations**, remove perishable foods and leave the control at the regular setting. However, if the room temperature is expected to drop below 60°F (16°C), follow the same instructions as for extended vacations. Turn off the icemaker at the control panel.

---

## INTERIOR LIGHT REPLACEMENT

**Do not try to replace a burned-out LED light.**

An authorized technician will need to replace the LED lights.

# PREPARATION

## REFRIGERATOR LOCATION

Do not install the refrigerator where temperatures will be below 60°F (16°C) because it will not run long enough to maintain proper temperatures.

Do not install the refrigerator where the temperature will go above 100°F (37°C) because it will not perform properly.

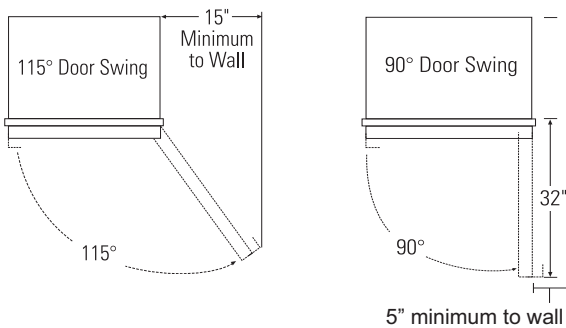
Do not install the refrigerator in a location exposed to water (rain, etc.) or direct sunlight.

Install the refrigerator on a floor strong enough to support it fully loaded.

---

## CLEARANCES

Allow 15" minimum clearance between the door and wall for a full 115° door swing. Allow 5" min. clearance to a wall for a 90° door swing for Monogram Stainless Steel (European) models.



# TROUBLESHOOTING

Save time and money! Review the charts on the following pages first and you may not need to call for service.

Problem	Possible Cause
<b>Refrigerator system does not operate</b>	May be in defrost cycle when refrigerating system does not operate for about 45 minutes.
	Temperature control in the <b>OFF</b> position.
	If interior light is not on, refrigerator may not be plugged in at wall outlet.
	The house fuse is blown/house circuit breaker is tripped. Replace fuse or reset the breaker.
	Turn off the Sabbath Mode.
	If your control panel says <b>SHO</b> , then your showroom mode was enabled. To turn this off, hold the <b>ALARM</b> button and (-) pad simultaneously for 5 seconds.
<b>Refrigerating system operates for long periods or cycles on frequently</b>  (Modern refrigerators and freezers with more storage space and a larger freezer require more operating time. They start and stop often to maintain even temperatures.)	Normal when refrigerator is first plugged in. Wait 24 hours for the refrigerator to completely cool down.
	Often occurs when large amounts of food are placed in refrigerator. This is normal.
	Door left open or package holding door open.
	Hot weather or frequent door openings. This is normal.
	Temperature control set at the coldest setting. See Temperature Control.
<b>Vibration or rattling (Slight vibration is normal.)</b>	Refrigerator may not be properly installed. – Anti-tip bracket may be loose. – Unit may not be level.
<b>Thumping sound when closing door</b>	This is a normal operating sound.
	Closing the door slowly will minimize the sound.
<b>Operating sounds</b>	The variable speed compressor.
	Normal fan air flow—multiple fans blow cold air through the fresh-food and freezer compartments—other fans cool the compressor.
	The fans change speeds in order to provide optimal cooling and energy savings.
	These <b>NORMAL</b> sounds will also be heard from time to time: – You may hear a whooshing or gurgling sound when the door closes. This is due to pressure equalizing within the refrigerator. – A water dripping sound may occur during the defrost cycle as ice melts from the evaporator and flows into the drain pan. – The flow of refrigerant through the freezer cooling coils may make a gurgling sound like boiling water. – Water dropping on the defrost heater can cause a sizzling, popping or buzzing sound during the defrost cycle. – You may hear cracking or popping sounds when the refrigerator is first plugged in or during/after the defrost cycle. This happens as the refrigerator cools to the correct temperature. – The compressor may cause a clicking or chirping sound when attempting to restart (this could take up to 5 minutes). – The electronic control board may cause a clicking sound when relays activate to control refrigerator components. – Ice cubes dropping into the bin and water running in pipes as icemaker refills. – The icemaker water valve will buzz when the icemaker fills with water.



# TROUBLESHOOTING

<b>Problem</b>	<b>Possible Cause</b>
<b>Door not closing properly</b>	Package or bottle may be holding door open.
	Check the door gasket; it may be out of position.
	Refrigerator is not level. See Installation Instructions.
	Hinge springs deactivated. See Installation Instructions.
<b>Refrigerator too warm</b>	Temperature control not set cold enough. See Temperature Control.
	Hot weather or frequent door openings.
	Door left open for long time.
	Package may be holding door open.
<b>Actual temperature not equal to set temperature</b>	Refrigerator just plugged in. Allow 24 hours for system to stabilize.
	Door open for too long. Allow 24 hours for system to stabilize.
	Warm food added to refrigerator. Allow 24 hours for system to stabilize.
	Defrost cycle is in process. Allow 24 hours for system to stabilize.
<b>Frost or ice crystals on frozen food (frost within package is normal)</b>	Drawer left open or package holding door open.
	Too frequent or too long door openings.
	Drawer may have been left open.
	Ice cubes or some other object may be stuck behind the drawer.
<b>Slow ice cube freezing</b>	Drawer may have been left open.
	Turn temperature control to a colder setting.
	Package may be holding drawer open.
<b>Ice cubes have odor / taste</b>	Old cubes need to be discarded.
	Ice storage bin needs to be emptied and washed.
	Unsealed packages in freezer may be transmitting odor/taste to ice cubes.
	Interior of freezer needs cleaning. See Care and Cleaning.
	Poor-tasting incoming water. Change the water filter.
<b>Automatic icemaker does not work</b>	Icemaker is turned off.
	Water supply turned off or not connected.
	Freezer too warm.
	Piled up cubes in storage bin may cause icemaker to shut off too soon. Level cubes by hand.
	Ice bin is not in position.
	Clogged water filter.
	Reverse osmosis system installed.
<b>Moisture forms on outside of refrigerator</b>	Not unusual during periods of high humidity. Wipe surface dry.
	Turn on the External Moisture Control feature.
<b>Moisture collects inside</b>	Too frequent or too long door openings.
	In humid weather, air carries moisture into refrigerator when doors are opened.
	Lower drawer switched from (freezer) to chill or wine.
<b>Refrigerator has odor</b>	Foods with strong odors should be tightly covered.
	Check for spoiled food.
<b>Interior lights do not work</b>	No power at outlet.
	LEDs need replacing. See Consumer Service Section.
<b>Door difficult to reopen immediately after closing</b>	Tight door seal is due to pressure equalizing within the refrigerator. After closing the door, wait 5–30 seconds to reopen.

# PERFORMANCE DATA SHEET Model: XWFE

- System certified by IAPMO R&T against NSF/ANSI Standards 42, 53, 401, P473 for the reduction of claims specified on the performance data sheet and at [iapmort.org](http://iapmort.org).
- Actual performance may vary with local water conditions.

Substance Tested for Reduction	Influent challenge concentration (mg/L)	Maximum permissible product water concentration (mg/L)	Avg % Reduction
Chlorine Taste and Odor	2.0 mg/L +/- 10%	N/A	96.9
Chloramine Taste and Odor	3.0 mg/L +/- 10%	0.5	96.9
Particulate, Class I	At least 10,000/mL	N/A	91.4
Cysts	50,000/L	N/A	>99.99
Lead	0.15	0.01	98.85
Mercury	0.006	0.002	96.3
Asbestos	107 to 108 fibers/L	N/A	>99
Toxaphene	0.015 +/- 10%	0.003	86.95
VOC (Chloroform surrogate chemical)	0.300	0.015	99.7
Alachlor	0.050	0.001	> 98
Atrazine	0.100	0.003	> 97
Benzene	0.081	0.001	> 99
Carbofuran	0.190	0.001	> 99
carbon tetrachloride	0.078	0.0018	98
chlorobenzene	0.077	0.001	> 99
chloropicrin	0.015	0.0002	99
2,4-D	0.110	0.0017	98
dibromochloropropane (DBCP)	0.052	0.00002	> 99
o-Dichlorobenzene	0.08	0.001	> 99
p-Dichlorobenzene	0.040	0.001	> 98
1,2-dichloroethane	0.088	0.0048	95
1,1-dichloroethylene	0.083	0.001	> 99
cis-1,2-dichloroethylene	0.170	0.0005	> 99
trans-1,2-dichloroethylene	0.086	0.001	> 99
1,2-dichloropropane	0.080	0.001	> 99
cis-1,3-dichloropropylene	0.079	0.001	> 99
dinoseb	0.170	0.0002	99
Endrin	0.053	0.00059	99
Ethylbenzene	0.088	0.001	> 99
ethylene dibromide (EDB)	0.044	0.00002	> 99
bromochloroacetonitrile	0.022	0.0005	98
dibromoacetonitrile	0.024	0.0006	98
dichloroacetonitrile	0.0096	0.0002	98
trichloroacetonitrile	0.015	0.0003	98
1,1-dichloro-2-propanone	0.0072	0.0001	99
1,1,1-trichloro-2-propanone	0.0082	0.0003	96
heptachlor (H-34, Heptox)	0.025	0.00001	>99
heptachlor epoxide	0.0107	0.0002	98
hexachlorobutadiene	0.044	0.001	> 98
hexachlorocyclopentadiene	0.060	0.000002	> 99
Lindane	0.055	0.00001	> 99
methoxychlor	0.050	0.0001	> 99
pentachlorophenol	0.096	0.001	> 99
simazine	0.120	0.004	> 97
Styrene	0.150	0.0005	> 99
1,1,2,2-tetrachloroethane	0.081	0.001	> 99
Tetrachloroethylene	0.081	0.001	> 99
Toluene	0.078	0.001	> 99
2,4,5-TP (silvex)	0.270	0.0016	99
tribromoacetic acid	0.042	0.001	> 98
1,2,4-Trichlorobenzene	0.160	0.0005	> 99
1,1,1-trichloroethane	0.084	0.0046	95
1,1,2-trichloroethane	0.150	0.0005	> 99
trichloroethylene	0.180	0.0010	> 99
bromoform	0.300	0.015	95
bromodichloromethane	0.300	0.015	95
chlorodibromomethane	0.300	0.015	95
xylenes	0.070	0.001	>99
Meprobamate	400 +/- 20%	60	95.5
Atenolol	200 +/- 20%	30	95.9
Carbamazepine	1400 +/- 20%	200	98.6
DEET	1400 +/- 20%	200	98.6
Metolachlor	1400 +/- 20%	200	98.7
Trimethoprim	140 +/- 20%	20	96.1
Linuron	140 +/- 20%	20	96.6
TCEP	5000 +/- 20%	700	98.1
TCCP	5000 +/- 20%	700	98.1
Phenytoin	200 +/- 20%	30	96
Ibuprofen	400 +/- 20%	60	95.9
Naproxen	140 +/- 20%	20	96.5
Estrone	140 +/- 20%	20	97.1
Bisphenol A	2000 +/- 20%	300	99.1
Nonyl phenol	1400 +/- 20%	200	97.3
PFOA/PFOS	1.5 mg/L +/- 10%	0.07	99.25

## Application Guidelines/Water Supply Parameters

Service Flow	0.5 gpm (1.89 lpm)
Water Supply	Potable Water
Water Pressure	25-120 psi (172-827 kPa)
Water Temperature	33°F-100°F (0.6°C-38°C)
Capacity	170 gallons (643.5 liters)

It is essential that the manufacturer's recommended installation, maintenance and filter replacement requirements be carried out for the product to perform as advertised. See Installation Manual for Warranty information.

**NOTE:** While the testing was performed under standard laboratory conditions, actual performance may vary. Replacement Cartridge: XWFE. For estimated costs of replacement elements please visit our website at [gewaterfilters.com](http://gewaterfilters.com).

## ⚠ WARNING To reduce the risk associated with ingestion of contaminants:

- Do not use with water that is microbiologically unsafe or of unknown quality without adequate disinfection before and after the system. Systems certified for cyst reduction may be used on disinfected water that may contain filterable cysts.

## NOTICE

To reduce the risk of water leakage or flooding, and to ensure optimal filter performance:

- Read and follow use instructions before installation and use of this system.
- Installation and use **MUST** comply with all state and local plumbing codes.
- Do not install if water pressure exceeds 120 psi (827 kPa). If your water pressure exceeds 80 psi (552 kPa), you **must** install a pressure-limiting valve. Contact a plumbing professional if you are uncertain how to check your water pressure.
- Do not install where water hammer conditions may occur. If water hammer conditions exist you **must** install a water hammer arrester. Contact a plumbing professional if you are uncertain how to check for this condition.
- Do not install on hot water supply lines. The maximum operating water temperature of this filter system is 100° F (38° C).
- **Protect filter from freezing.** Drain filter when temperatures drop below 33°F (0.6°C).
- Change the disposable filter cartridge every six months or sooner if you observe a noticeable reduction in water flow rate.
- Failure to replace the disposable filter cartridge at recommended intervals may lead to reduced filter performance and cracks in the filter housing, causing water leakage or flooding.
- This System has been tested according to NSF/ANSI 42, 53, 401 and P473 for the reduction of the substances listed below. The concentration of the indicated substances in water entering the system was reduced to a concentration less than or equal to the permissible limit for water leaving the system, as specified in NSF/ANSI 42, 53, 401 and P473.



XWFE System is certified by IAPMO R&T against NSF/ANSI Standards 42, 53, 401 and P473 for the reduction of claims specified on the performance data sheet and at [iapmort.org](http://iapmort.org).

# MONOGRAM LIMITED WARRANTY

## Monogram.com

All warranty service is provided by our Factory Service Centers, or an authorized Customer Care® technician. To schedule service online, visit us at [monogram.com/contact](http://monogram.com/contact). In Canada, visit [monogram.ca](http://monogram.ca).

**Servicing your refrigerator may require the use of the onboard data port for diagnostics. This gives a Monogram Factory Service technician the ability to quickly diagnose any issues with your appliance and helps Monogram improve its products by providing Monogram with information on your appliance. If you do not want your appliance data to be sent to Monogram, please advise your technician NOT to submit the data to Monogram at the time of service.**

For the period of	Monogram Appliances will replace
<b>Limited two-year warranty</b>	For two years from date of original purchase, we will provide, free of charge, parts and service labor in your home to repair or replace any part of the refrigerator or freezer that fails because of a manufacturing defect.
<b>Limited five-year warranty</b>	For five years from date of original purchase, we will provide, free of charge, parts and service labor in your home to repair or replace any part of the sealed refrigerating system (the compressor, condenser, evaporator and all connecting tubing) that fails because of a manufacturing defect.
<b>Limited additional sixth- through twelfth-year warranty on the sealed system</b>	For the sixth through twelfth year from the date of the original purchase, we will provide, free of charge, replacement parts for any part of the sealed refrigerating system (the compressor, condenser, evaporator and all connecting tubing) that fails because of a manufacturing defect. You pay for the service trip to your home and for service labor charges.
<b>Limited thirty-day warranty on water filter cartridge (water filter, if included)</b>	From the date of the original purchase we will provide, free of charge, replacement parts for any part of the water filter cartridge that fails because of a manufacturing defect. During this limited thirty-day warranty, we will also provide, free of charge, a replacement water filter cartridge.

## What Monogram will not cover:

- Service trips to your home to teach you how to use the product.
- Replacement of house fuses or resetting of circuit breakers.
- Damage to the product caused by accident, fire, floods or acts of God.
- Failure of the product if it is used for other than its intended purpose or used commercially.
- Damage caused after delivery.
- Improper installation, delivery or maintenance.  
If you have an installation problem, contact your dealer or installer. You are responsible for providing adequate electrical, plumbing and other connecting facilities.
- Replacement of the light bulbs, if included, or water filter cartridge, if included, other than as noted above.
- Replacement of the water filter cartridge, if included, due to water pressure that is outside the specified operating range or due to excessive sediment in the water supply.
- Loss of food due to spoilage.
- Incidental or consequential damage caused by possible defects with this appliance.
- Product not accessible to provide required service.
- Damage to finish, such as surface rust, tarnish, or small blemishes not reported within 48 hours of delivery.

### EXCLUSION OF IMPLIED WARRANTIES

Your sole and exclusive remedy is product repair as provided in this Limited Warranty. Any implied warranties, including the implied warranties of merchantability or fitness for a particular purpose, are limited to two years or the shortest period allowed by law.

This limited warranty is extended to the original purchaser and any succeeding owner for products purchased for home use within the USA. If the product is located in an area where service by a Monogram Appliances Authorized Servicer is not available, you may be responsible for a trip charge or you may be required to bring the product to an Authorized Monogram Appliances Service location for service. In Alaska, the limited warranty excludes the cost of shipping or service calls to your home.

Some states do not allow the exclusion or limitation of incidental or consequential damages. This limited warranty gives you specific legal rights, and you may also have other rights which vary from state to state. To know what your legal rights are, consult your local or state consumer affairs office or your state's Attorney General.

**Warrantor: GE Appliances, a Haier company, Louisville KY,40225**

**Warrantor in Canada: MC Commercial, Burlington, ON, L7R 5B6**

Staple your receipt here. Proof of the original purchase date is needed to obtain service under the warranty.





# MANUEL D'UTILISATION

**Réfrigérateur de 30 po à congélateur intégré dans le bas**  
**Réfrigérateur de 30 po avec compartiment à vin intégré**

FRANÇAIS

MONOGRAM.COM

# TABLE DES MATIÈRES

<b>RENSEIGNEMENTS CONCERNANT LE MODÈLE</b> .....	2
<b>SOUTIEN AU CONSOMMATEUR</b> .....	3
<b>RENSEIGNEMENTS CONCERNANT LA SÉCURITÉ</b> .....	4
<b>CONTRÔLES</b> .....	6
Commandes de Réglage des Températures .....	6
Modification de L'affichage de Température de .....	6
Verrouillage des Commandes .....	6
Alarme .....	7
<b>FONCTIONS</b> .....	7
<b>TOUS LES MODÈLES</b>	
Machine à glaçons automatique .....	8
Accès à la machine à glaçons et au tiroir du congélateur .....	8
Cartucho del filtro de agua .....	8
Tiroir convertible .....	9
Contrôle de L'humidité Extérieure .....	9
Éclairage à DEL .....	9
<b>CONGÉLATEUR DANS LE BAS SEULEMENT</b>	
Bac à Légumes .....	10
Clayette Illuminée du bac à Légumes .....	10
Clayettes Réglables .....	10
Bacs de Porte .....	11
Porte-Bouteilles pour le Vin/Les Boissons .....	11
<b>RÉSERVE DE VIN SEULEMENT</b>	
Disposition des bouteilles de vin .....	12
<b>MODE SABBAT</b> .....	13
<b>ENTRETIEN ET NETTOYAGE</b> .....	14
Nettoyage de L'extérieur .....	14
Nettoyage de L'intérieur .....	14
Préparation en Cas de Vacances .....	14
Remplacement de L'ampoule Intérieure .....	14
<b>PRÉPARATION</b> .....	15
Emplacement du Réfrigérateur .....	15
Dégagements .....	15
<b>DÉPANNAGE</b> .....	16
<b>DONNÉES DE PERFORMANCE</b> .....	18
<b>GARANTIE LIMITÉE DE MONOGRAM</b> .....	19

## RENSEIGNEMENTS CONCERNANT LE MODÈLE

### NUMÉROS DE MODÈLES

ZIC303NP\*II, ZIK303NP\*II, ZIW303NP\*II

### WRITE DOWN THE MODEL AND SERIAL NUMBERS

Vous pouvez les voir sur l'étiquette à l'intérieur du compartiment supérieur vers le bas.

**Veillez écrire ces numéros ici :**

\_\_\_\_\_  
Numéro du modèle

\_\_\_\_\_  
Numéro de série

# SOUTIEN AU CONSOMMATEUR

## SITE WEB DE MONOGRAM

Vous avez des questions ou besoin d'aide avec votre réfrigérateur? Essayez le site Web de Monogram. Ce site est disponible 24 heures par jour, et tous les jours de l'année! Vous pouvez aussi magasiner d'autres magnifiques produits Monogram et profiter de tous les services de soutien en ligne conçus pour votre commodité. Aux É.-U. : [monogram.com](http://monogram.com). Au Canada : [monogram.ca](http://monogram.ca)

---

## ENREGISTREZ VOTRE ÉLECTROMÉNAGER

Enregistrez votre nouvel appareil en ligne au moment qui vous convient le mieux! L'enregistrement de votre produit dans les délais prescrits permet une meilleure communication et un service rapide, selon les modalités de votre garantie, si besoin est. Vous pouvez également envoyer par courrier la carte d'enregistrement pré-imprimée qui se trouve dans l'emballage de votre appareil.

Aux États-Unis : [monogram.com](http://monogram.com)

Au Canada : [Prodsupport.mabe.ca/crm/Products/ProductRegistration.aspx](http://Prodsupport.mabe.ca/crm/Products/ProductRegistration.aspx)

---

## SERVICE DE RÉPARATION

Un service de réparation expert GE Appliances se trouve à quelques pas de chez vous. Rendez-vous sur notre site et programmez, à votre convenance, une visite de réparation à n'importe quel jour de l'année.

Aux États-Unis : [monogram.com](http://monogram.com)

Au Canada : [monogram.ca](http://monogram.ca)

---

## CONNEXION À DISTANCE

Pour de l'assistance concernant la connexion à un réseau sans fil (modèles équipés de cette fonction), visitez notre site sur [monogram.com](http://monogram.com)

---

## PIÈCES ET ACCESSOIRES

Les personnes qualifiées pour réparer leurs propres appareils peuvent commander des pièces détachées et des accessoires et les faire envoyer directement à leur domicile (les cartes VISA, MasterCard et Discover sont acceptées). Commandez en ligne 24 heures par jour.

Aux États-Unis : [monogram.com/use-and-care/parts](http://monogram.com/use-and-care/parts)

**Les instructions contenues dans le présent manuel comportent des procédures que tout utilisateur peut effectuer. Les autres types de réparation doivent généralement être confiés à un technicien qualifié. Usez de prudence : une réparation ou un entretien mal effectués peuvent rendre l'utilisation de l'appareil dangereuse.**

Les consommateurs au Canada doivent consulter le centre de service Mabe le plus proche, visiter notre site Web sur [monogram.ca](http://monogram.ca)

---

## COMMUNIQUEZ AVEC NOUS

Si vous êtes insatisfait du service reçu par Monogram, communiquez avec nous par l'entremise de notre site Web en mentionnant tous les détails y compris votre numéro de téléphone, ou écrivez :

Aux É.-U. : Directeur général, relations à la clientèle | Monogram Appliances, Appliance Park | Louisville, KY 40225  
[monogram.com/contact](http://monogram.com/contact)

Au Canada: [monogram.ca/contact](http://monogram.ca/contact)

---

# RENSEIGNEMENTS IMPORTANTS CONCERNANT LA SÉCURITÉ

## LISEZ TOUTES LES INSTRUCTIONS AVANT D'UTILISER LE RÉFRIGÉRATEUR

### **⚠ AVERTISSEMENT**

Pour réduire le risque d'incendie, d'explosion, de choc électrique ou de blessures lorsque vous utilisez votre réfrigérateur, veuillez suivre ces consignes de sécurité :

- Ce réfrigérateur doit être correctement installé conformément aux Consignes d'Installation avant toute utilisation.
- Débranchez le réfrigérateur avant d'effectuer une réparation, de remplacer une ampoule ou de le nettoyer.  
**Remarque :** L'alimentation du réfrigérateur ne peut être déconnectée par aucune des fonctions sur le panneau de commande.  
**Remarque :** Les réparations doivent être effectuées par un professionnel qualifié.
- Ne tentez pas de remplacer une ampoule à DEL grillée. Le remplacement des ampoules à DEL doit être effectué par un technicien autorisé.
- Remettez toutes les pièces et panneaux en place avant d'utiliser l'appareil.
- N'utilisez pas un cordon de rallonge.
- Abstenez-vous d'entreposer ou d'utiliser de l'essence ou d'autres vapeurs et liquides inflammables aux alentours de cet électroménager ou d'autres appareils.
- N'entreposez pas dans cet électroménager des substances explosives telles que des bombes aérosols qui contiennent un gaz propulseur.
- Pour éviter les risques d'asphyxie et d'enfermement pour les enfants. Démontez les portes du réfrigérateur avant de le mettre au rebut ou d'interrompre son utilisation
- Afin de prévenir les accidents graves ou la mort, les enfants ne doivent pas se tenir ni jouer dans ou sur l'électroménager.
- Les enfants et les personnes dont les capacités sont réduites sur le plan physique, sensoriel ou mental, ou qui manquent d'expérience ou de connaissances, peuvent utiliser cet électroménager seulement si elles sont surveillées ou ont reçues des consignes de sécurité sur son usage et les risques y sont associés.
- Cet électroménager est conçu pour une utilisation domestique et applications similaires : salle du personnel dans une usine, un bureau ou d'autres lieux de travail; maison de ferme; clients dans un hôtel, un motel, un gîte touristique et d'autres lieux résidentiels; approvisionnement et applications similaires non reliées au commerce de détail.

### **⚠ ATTENTION**

Pour réduire le risque de blessures lorsque vous utilisez votre réfrigérateur, veuillez suivre ces consignes de sécurité.

- Ne nettoyez pas les clayettes ou les couvercles en verre avec de l'eau tiède quand ceux-ci sont froids. Les clayettes et couvercles en verre peuvent se casser s'ils sont exposés à des changements soudains de température ou si vous les cognez ou les faites tomber. Le verre trempé est conçu pour se briser en petits morceaux en cas de casse
- Éloignez les doigts des parties du congélateur où l'on peut facilement se pincer : les espaces entre les portes, et entre les portes et les placards sont toujours étroits. Soyez prudent lorsque vous fermez les portes en présence d'enfants.
- Ne touchez pas les surfaces froides du congélateur lorsque vous avez les mains humides ou mouillées. La peau risque d'adhérer à ces surfaces extrêmement froides.
- Ne recongelez pas les aliments surgelés qui ont complètement dégelé.
- Si votre réfrigérateur est doté d'une machine à glaçons automatique, évitez le contact avec les pièces mobiles du mécanisme éjecteur, ou avec l'élément chauffant qui libère les glaçons. Ne posez pas les doigts ou les mains sur le mécanisme de la machine à glaçons automatique pendant que le réfrigérateur est branché.

## INSTALLATION

### **⚠ AVERTISSEMENT**



### **RISQUE D'EXPLOSION**

Conservez les matériaux et vapeurs inflammables tels que l'essence à l'écart de votre réfrigérateur. Une explosion, un incendie voire la mort pourrait en résulter.

# LEA Y GUARDE ESTAS INSTRUCCIONES



# RENSEIGNEMENTS IMPORTANTS CONCERNANT LA SÉCURITÉ

## LISEZ TOUTES LES INSTRUCTIONS AVANT D'UTILISER LE RÉFRIGÉRATEUR

### BRANCHEMENTS ÉLECTRIQUES

#### **⚠ AVERTISSEMENT**



#### **RISQUE DE CHOC ÉLECTRIQUE.**

Branchez l'appareil dans une prise triple avec terre.  
Ne retirez pas la broche de terre.  
N'utilisez pas d'adaptateur.

N'utilisez pas de cordon de rallonge.  
Le non-respect de ces instructions peut entraîner des risques d'incendies, des chocs électriques ou la mort.

**Ne coupez ni retirez en aucun cas la troisième broche (mise à la terre) de la fiche du cordon d'alimentation. Pour votre sécurité, cet appareil doit être correctement mis à la terre.**

Le cordon d'alimentation de cet appareil est muni d'une fiche à 3 broches (mise à la terre) qui se branche dans une prise murale ordinaire à 3 alvéoles (mise à la terre) pour réduire au minimum les risques de chocs électriques.

Faites examiner la prise de courant et le circuit par un électricien qualifié pour vous assurer que la prise est correctement mise à la terre.

Dans le cas d'une prise biphasée, l'installateur a la responsabilité et l'obligation de la remplacer par une prise triphasée correctement mise à la terre. N'utilisez pas d'adaptateur.

Le congélateur doit toujours être branché dans sa propre prise de courant, dont la tension nominale est identique à celle indiquée sur la plaque signalétique.

Une alimentation électrique à 115 volts CA, 60 Hz, avec un fusible de 15 ou 20 ampères et une mise à la terre est nécessaire. Ceci permet d'obtenir un meilleur rendement et évite de surcharger les circuits électriques du domicile qui risque d'occasionner un incendie en surchauffant.

Ne débranchez jamais le congélateur en tirant sur le cordon d'alimentation. Saisissez fermement la fiche du cordon et tirez droit pour la retirer de la prise.

Cessez immédiatement d'utiliser un cordon électrique endommagé. Si le cordon électrique est endommagé, son remplacement doit être effectué par un technicien en réparation qualifié au moyen d'un cordon de rechange autorisé par le fabricant.

Lorsque vous déplacez votre congélateur du mur, faites attention de ne pas le faire rouler sur le cordon d'alimentation afin de ne pas l'endommager.

### MISE AU REBUT APPROPRIÉE DE VOTRE ANCIEN RÉFRIGÉRATEUR

#### **⚠ AVERTISSEMENT**

#### **RISQUE DE SUFFOQUER OU D'Y ÊTRE EMPRISONNÉ**

Le non-respect de ces instructions d'élimination peut entraîner la mort ou des blessures graves

**IMPORTANT:** Les enfants pris au piège ou morts d'asphyxie sont toujours d'actualité. Les réfrigérateurs abandonnés sont toujours aussi dangereux, même si on n'attend que «quelques jours» pour s'en débarrasser. Si vous ne gardez pas votre ancien réfrigérateur, veuillez suivre les directives ci-dessous afin de prévenir les accidents.

**Avant de vous débarrasser de votre ancien appareil :**

- Démontez les portes du compartiment de réfrigération et du compartiment de congélation.
- Laissez les clayettes en place afin d'empêcher les enfants de grimper à l'intérieur.

#### **Mise au rebut des produits réfrigérants et en mousse**

Mettez l'électroménager au rebut conformément à la réglementation fédérale et locale. Les matériaux réfrigérants et isolants inflammables utilisés nécessitent des procédures d'élimination particulières. Communiquez avec les autorités locales pour connaître la façon de mettre votre électroménager au rebut qui soit respectueuse de l'environnement.

#### **⚠ AVERTISSEMENT**



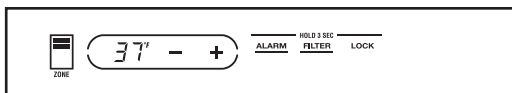
#### **RISQUE D'INCENDIE OU D'EXPLOSION Réfrigérant inflammable**

**Cet appareil contient un gaz réfrigérant avec isobutane aussi connu sous R600a, un gaz naturel à compatibilité élevée avec l'environnement. Il s'agit cependant d'un combustible. Observez les consignes de sécurité ci-dessous afin de réduire le risque de blessure ou de dommage à la propriété.**

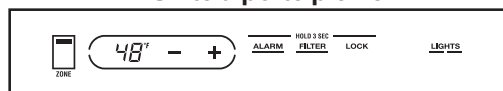
1. Lors de la manipulation, de l'installation et de l'utilisation de cet appareil, prenez soin de ne pas endommager la tubulure du réfrigérant.
2. L'entretien ou la réparation doivent être effectués par un personnel de service autorisé. Utilisez seulement des pièces de rechange autorisées par le fabricant.
3. Mettez le réfrigérateur au rebut conformément aux réglementations fédérales et locales. Le gaz réfrigérant inflammable et les matériaux d'isolation utilisés dans ce produit requièrent des procédures de mise au rebut spéciales. Communiquez avec les autorités locales compétentes pour la mise au rebut de votre réfrigérateur sans danger pour l'environnement.
4. N'obstruez pas les orifices de ventilation dans les enceintes ou la structure d'encastrement de l'appareil.
5. Pour enlever le givre, grattez à l'aide d'un grattoir ou d'une spatule en plastique ou en bois. N'utilisez pas de pic à glace ou un instrument métallique à bord tranchant pour éviter de perforer la cuve interne du congélateur et la tubulure du gaz réfrigérant derrière cette dernière.
6. N'utilisez pas d'appareils électriques dans le compartiment de rangement des aliments de cet appareil.
7. N'utilisez aucun appareil électrique pour dégivrer votre congélateur.
8. N'endommagez pas le circuit du réfrigérant.

## LEA Y GUARDE ESTAS INSTRUCCIONES

# CONTRÔLES



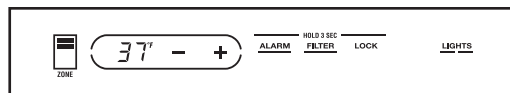
Compartiment supérieur du congélateur dans le bas  
– Unité à porte pleine



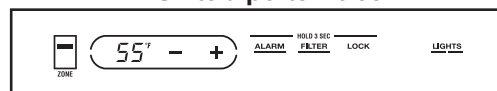
Compartiment supérieur de la réserve de vin  
– Section supérieure – Unité à porte vitrée



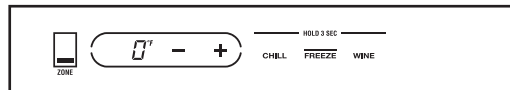
Tiroir supérieur - Congélateur



Compartiment supérieur du congélateur dans le bas  
– Unité à porte vitrée



Compartiment supérieur de la réserve de vin  
– Section inférieure – Unité à porte vitrée



Tiroir supérieur - Congélateur

## COMMANDES DE RÉGLAGE DES TEMPÉRATURES

L'affichage de la température indique la température réelle du compartiment supérieur, du tiroir de congélation ou du tiroir convertible lorsque ceux-ci sont sélectionnés en les faisant défiler grâce au voyant Zone. La température réelle peut différer de la température réglée selon certains facteurs comme la fréquence d'ouverture de la porte, la quantité d'aliments stockés, le programme de dégivrage et la température de la pièce.

**REMARQUE:** Des ouvertures de portes fréquentes ou des portes laissées ouvertes peuvent temporairement augmenter la température à l'intérieur des compartiments.

Pour désactiver le système de refroidissement, faites défiler le voyant ZONE jusqu'au mode du compartiment supérieur. Appuyez sur le plus (+) jusqu'à ce que **OFF** (arrêt) s'affiche.

Pour activer le système de refroidissement, faites défiler le voyant ZONE jusqu'au mode du compartiment souhaité et appuyez sur le plus (+) ou moins (-) jusqu'à ce que la température souhaitée s'affiche.

Pour vérifier le réglage de température dans un compartiment, appuyez une fois sur la touche plus (+) ou moins (-). Au bout de 5 secondes, l'affichage vous indiquera la température actuelle.

Pour modifier le réglage de la température, appuyez sur la touche plus (+) ou moins (-) à chaque incrément pour atteindre la température souhaitée. Veuillez attendre 24 heures pour que l'appareil atteigne la température requise.

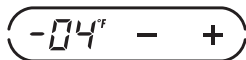
**REMARQUE:** En réglant les commandes sur **OFF** (arrêt), le refroidissement est arrêté mais l'alimentation électrique de l'appareil n'est pas coupée. Toutes les températures en °C seront arrondies.

	Gammes de températures			
	Congélateur dans le bas		Sections supérieure et inférieure de la réserve de vin	
	Basse	Haute	Basse	Haute
Compartiment supérieur	34°F (1°C)	46°F (8°C)	40°F (4°C)	65°F (18°C)
Tiroir de congélation	-6°F (-21°C)	6°F (-14°C)	-6°F (-21°C)	6°F (-14°C)

Gamme de température du tiroir convertible		
	Basse	Haute
Congélation	-6°F (-21°C)	6°F (-14°C)
Réfrigération	34°F (1°C)	46°F (8°C)
Vin	40°F (4°C)	55°F (13°C)

## MODIFICATION DE L'AFFICHAGE DE TEMPÉRATURE DE °F AUX °C

Pour passer d'une température affichée en °F à une température en °C, appuyez simultanément sur les deux touches plus (+) et moins (-) pendant 5 secondes.



## VERROUILLAGE DES COMMANDES

Cette fonction de verrouillage des commandes permet d'éviter toute modification non voulue des réglages de température.

Une fois que la température désirée est réglée, cette température peut être verrouillée. Pour le verrouillage, appuyez et maintenez appuyé le bouton **LOCK** (verrouillage) pendant 3 secondes. Pour le déverrouillage, appuyez et maintenez appuyé le bouton **LOCK** (verrouillage) pendant 3 secondes. Pour réinitialiser le filtre à eau ou l'alarme, le panneau de commande doit être déverrouillé.

## ALARME

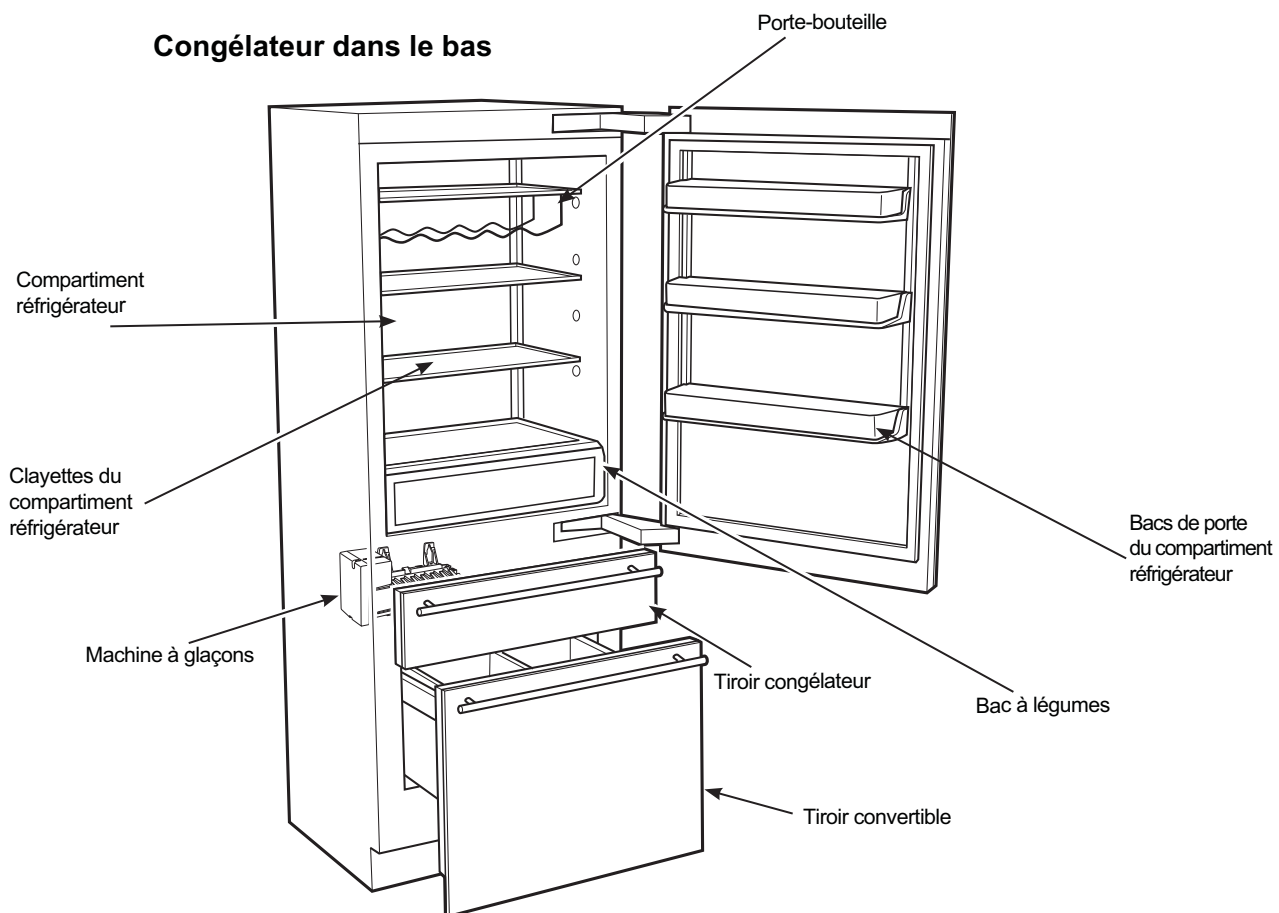
Pour activer l'alarme, appuyez et maintenez appuyé le bouton **ALARM** (alarme) pendant 3 secondes. L'icône **ALARM** (alarme) sera soulignée lorsque celle-ci sera activée. Pour la désactiver, appuyez et maintenez appuyé le bouton **ALARM** (alarme) pendant 3 secondes. L'icône **ALARM** (alarme) ne sera plus soulignée.

Lorsque l'alarme est activée, elle clignotera et émettra un bip sonore pour signaler que la porte est restée ouverte pendant plus de 2 minutes.

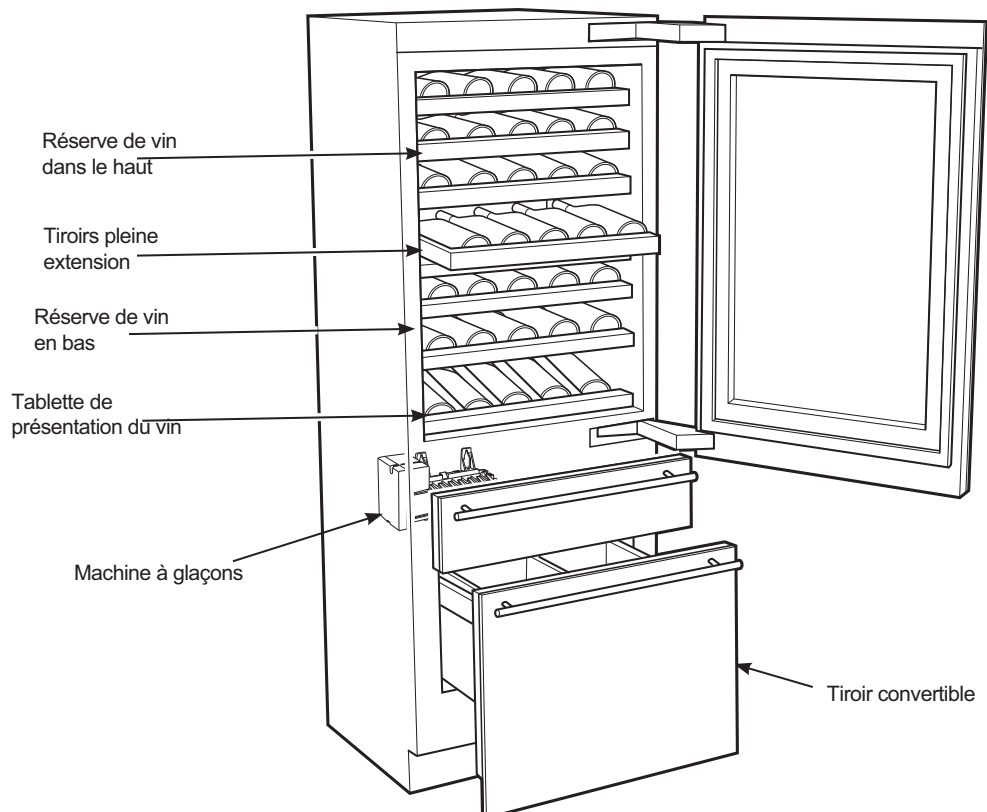


# FONCTIONS

## Congélateur dans le bas



## Réserve de vin



# FONCTIONS - TOUS LES MODÈLES

## MACHINE À GLAÇONS AUTOMATIQUE

Il faut prévoir entre 12 et 24 heures avant qu'un réfrigérateur nouvellement installé commence à produire des glaçons. Le réfrigérateur est livré avec la machine à glaçons sur **ON** (activé).

La machine à glaçons produit sept glaçons par cycle - environ 15 cycles par 24 heures, selon la température du compartiment de congélation, la température de la pièce, le nombre d'ouverture de porte et les autres conditions d'utilisation.

Si vous faites fonctionner le réfrigérateur avant de raccorder l'eau à la machine à glaçons, mettez-la en position **OFF** (arrêt). Pour désactiver la machine à glaçons, appuyez deux fois sur le voyant **ZONE** sur le panneau de commande pour sélectionner le tiroir congélateur. Appuyez sur l'icône **ICE** (Glaçon) sur la droite. La ligne sous l'icône **ICE** (glaçon) disparaîtra et le mot **OFF** (arrêt) s'affichera sous **ICE** (glaçon).

Jetez le premier bac de glaçons.

Vérifiez que rien n'interfère avec le déplacement du bras de détection.

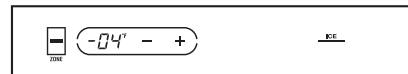
Quand le bac se remplit jusqu'au niveau du bras de détection, la machine à glaçons s'arrête de produire des glaçons.

Il est normal de trouver des glaçons qui soient soudés ensemble.

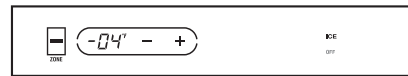
Si vous n'utilisez pas souvent vos glaçons, les vieux glaçons deviennent opaques, prennent un mauvais goût et rétrécissent.

Lorsque vous réactivez la machine à glaçons, elle se remettra en marche au bout de 45 minutes.

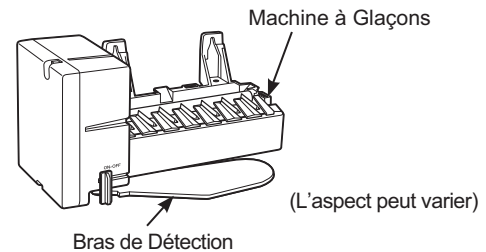
**REMARQUE:** Dans les maisons qui ont une pression d'eau plus faible que la moyenne, vous pouvez entendre la machine à glaçons recommencer plusieurs fois son cycle pour produire un lot de glaçons.



Machine à glaçons sous tension (ON)



Machine à glaçons hors tension (OFF)



Machine à Glaçons

(L'aspect peut varier)

Bras de Détection

**REMARQUE:** Le fonctionnement de la machine à glaçons est optimal pour une pression d'eau variant de 40 à 120 lb/po<sup>2</sup>.

**REMARQUE :** Sur le devant de la machine à glaçons se trouve un interrupteur marche-arrêt (ON/OFF) qui glisse de gauche à droite. Cet interrupteur doit demeurer à la position de marche (ON, à gauche). La machine à glaçons doit être allumée ou éteinte à l'aide de la commande électronique.

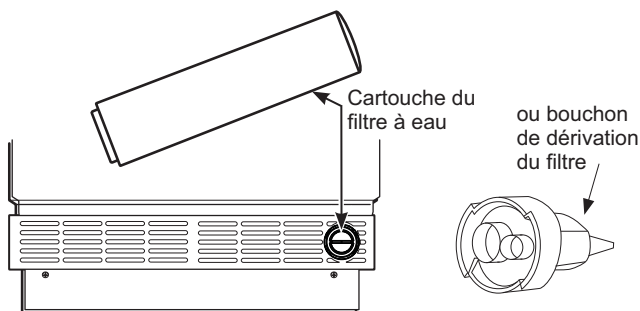
**ATTENTION** Évitez le contact avec les pièces mobiles du mécanisme d'éjection et l'élément chauffant (situé dans le bas de la machine à glaçons) qui libère les cubes. Ne placez ni les doigts ni les mains sur le mécanisme de production de glace automatique lorsque le réfrigérateur est branché.

## ACCÈS À LA MACHINE À GLAÇONS PAR LE TIROIR DU CONGÉLATEUR

La machine à glaçons est située sur la paroi supérieure, à l'arrière et du côté gauche du tiroir du congélateur. Une bande à DEL se trouve sur la paroi supérieure du tiroir du congélateur. Le tiroir du congélateur contient 1 bac à glaçons et 1 pelle à glaçons..

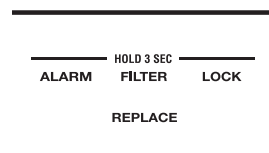
## CARTOUCHE DE FILTRE À EAU

ElleLa cartouche du filtre à eau est située sous le tiroir convertible du côté inférieur droit du réfrigérateur.



### Pour remplacer le filtre :

Un voyant de remplacement de la cartouche du filtre à eau est situé sur le panneau de commande. La cartouche de filtre doit être remplacée lorsque le mot « **REPLACE** » apparaît sous le mot « **FILTER** » (filtre) du panneau de commande.



**REMARQUE:** Le filtre à cartouche ou le bouchon de dérivation de filtre doit être installé pour permettre la production de la glace.

### Installation du filtre à cartouche:

- Ouvrez le tiroir convertible pour accéder au filtre à eau à cartouche.
- Retirez l'ancien filtre à cartouche (ou le bouchon de dérivation) en tournant dans le sens contraire des aiguilles. Tirez le filtre/bouchon vers l'avant pour le sortir.
- Insérez le nouveau filtre/bouchon dans le compartiment et tournez dans le sens des aiguilles jusqu'à ce que le filtre/bouchon s'arrête.

### Filtres et bouchons de dérivation de filtre de rechange:

Pour commander des filtres à cartouche ou des bouchons de dérivation supplémentaires, visitez notre site sur [monogram.com](http://monogram.com).

**Numéro de modèle du filtre: XWFE**

**Bouchon de dérivation de filtre: WR17X33825**

**Remarque importante:** Retirez le filtre à eau ou le bouchon de dérivation pour arrêter immédiatement toute fuite d'eau de la machine à glaçons.

# FONCTIONS - TOUS LES MODÈLES (suite)

## TIROIR CONVERTIBLE

Le tiroir convertible peut être utilisé comme congélateur, comme réfrigérateur ou encore comme tiroir à vin/à boisson.

**Pour adapter votre tiroir :**

Appuyez sur le voyant **ZONE** sur le panneau de commande pour sélectionner le tiroir convertible.

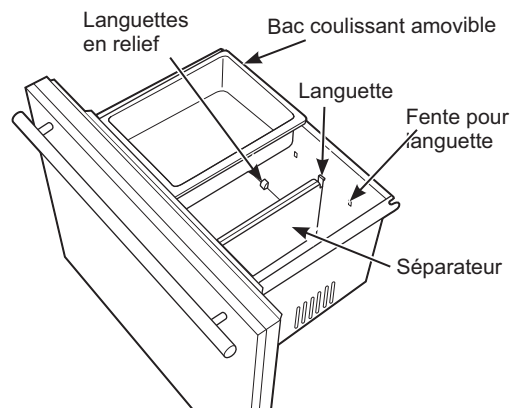
**Températures recommandées pour le tiroir convertible :**

Bouton	Fonction	Température
réfrigération	Réfrigération	37°F/3°C
congélation	Congélation	0°F/-18°C
vin	Stockage du vin	55°F/13°C

Le haut de ce tiroir est équipé d'une bande DEL. Un séparateur réglable est également fourni qui peut être positionné différemment. Un bac peut également coulisser de droite à gauche dans le tiroir.

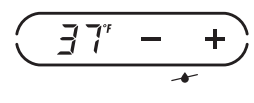
**Pour modifier la position du séparateur :**

1. Tirez les languettes sur le haut du séparateur pour le libérer des fentes à l'avant et à l'arrière du tiroir.
2. Retirez le séparateur des languettes en relief au fond du tiroir.
3. Déplacez le séparateur jusqu'à sa nouvelle position et glissez-le sur les languettes en relief.
4. Rentrez les languettes sur le haut du séparateur et positionnez le séparateur de façon à ce que les languettes se glissent dans les fentes. Relâchez les languettes pour qu'elles mettent dans la bonne position.



## CONTRÔLE DE L'HUMIDITÉ EXTÉRIEURE

Ce produit est équipé d'une fonction de contrôle de l'humidité extérieure. La fonction de contrôle de l'humidité extérieure est désactivée au moment de son expédition.



Dans une pièce humide, de la condensation peut se déposer sur le devant du réfrigérateur. En cas de condensation sur le devant du réfrigérateur, activez cette fonction de contrôle de l'humidité extérieure en appuyant et en maintenant enfoncés pendant 5 secondes les boutons **ALARM** (alarme) et **LOCK** (verrouillage) sur le tableau de commande. Lorsque cette fonction est activée, une icône représentant une petite goutte d'eau barrée apparaîtra sous les signes **(+)** et **(-)** du tableau de commande.

Pour désactiver la fonction de contrôle d'humidité extérieure, maintenez appuyés les boutons **ALARM** et **LOCK** du panneau de commande durant 5 secondes. L'icône de goutte d'eau disparaîtra.

## ÉCLAIRAGE À DEL

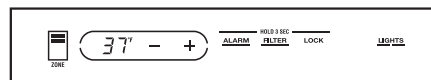
Cette unité est équipée d'éclairage à DEL à l'intérieur du réfrigérateur de chaque côté, mais également au-dessus du tiroir congélateur et au-dessus du tiroir convertible.

**Modèle à porte en verre uniquement**

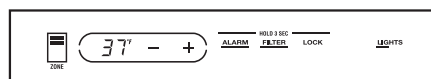
Les modèles avec une porte en verre sont équipés de deux options pour l'éclairage intérieur des côtés de l'appareil : A pleine puissance et à ½ puissance.

En mode affichage soit à pleine puissance ou à ½ puissance, les lumières resteront allumées après fermeture de la porte et s'éteindront automatiquement au bout d'une heure.

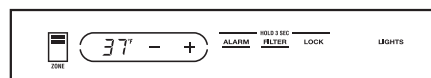
Pour accéder aux options d'éclairage, appuyez sur le voyant **ZONE** sur le panneau de commande. Dans le mode du compartiment supérieur, les boutons **LIGHTS** (éclairage) sont situés la droite sur le tableau de commande. Lorsque l'éclairage est en pleine puissance, 2 barres s'affichent sous **LIGHTS** (Éclairage), à ½ puissance, une seule barre d'affiche. Quand l'éclairage est éteint, aucune barre ne s'affiche.



Éclairage à pleine puissance



Éclairage à ½ puissance



Éclairage éteint

# FONCTIONS - CONGÉLATEUR DANS LE BAS SEULEMENT

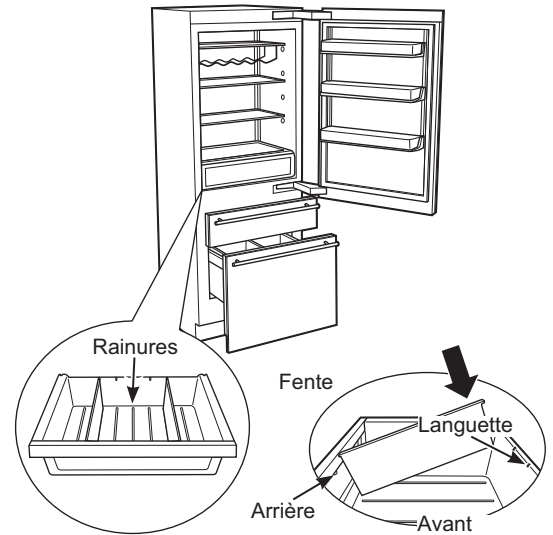
## BAC À LÉGUMES

Le bac à légumes du réfrigérateur est équipé d'une bande à DEL au-dessus du tiroir.

Ce bac est également équipé de séparateurs réglables qui permettent différentes configurations dans le bac à légumes. Le séparateur est maintenu par une languette située sous la poignée, par une fente sur la paroi arrière et une rainure sur le fond du tiroir pour stabiliser le séparateur dans chaque position.

### Pour modifier la position du séparateur:

1. Tirez l'arrière du séparateur vers le haut pour le libérer de la fente à l'arrière et de la languette à l'avant.
2. Faites glisser le séparateur dans sa nouvelle position en s'assurant qu'il repose dans la rainure au fond du tiroir.
3. Tirez sur l'arrière du séparateur pour placer l'avant sous la languette du nouvel emplacement.
4. Appuyez sur l'arrière du séparateur pour le positionner dans la rainure du nouvel emplacement.



## CLAYETTE ILLUMINÉE DU BAC À LÉGUMES

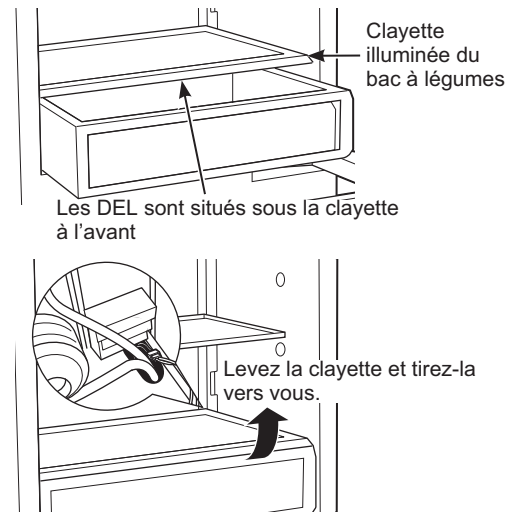
La clayette illuminée du bac à légumes permet d'éclairer les compartiments inférieurs. Les lumières sont encastrées dans la clayette pour éclairer les tiroirs inférieurs.

### Pour retirer la clayette:

1. Soulevez la clayette et tirez délicatement vers vous pour exposer les câbles.
2. Débranchez la clayette et retirez-la délicatement du réfrigérateur.

### Pour remettre la clayette en place :

1. Placez la clayette sur les rails des côté en laissant la prise visible.
2. Branchez la clayette dans le réfrigérateur.
3. Faites doucement glisser la clayette dans sa position finale.



## CLAYETTES RÉGLABLES

Les clayettes en verre trempé du réfrigérateur vous permettent d'organiser les clayettes de votre réfrigérateur pour qu'elles s'adaptent au stockage des aliments pour les besoins de votre famille.

**Pour régler la position des clayettes :** Inclinez l'avant de la clayette vers le haut et faites-la glisser le long de la paroi arrière jusqu'à la position désirée.

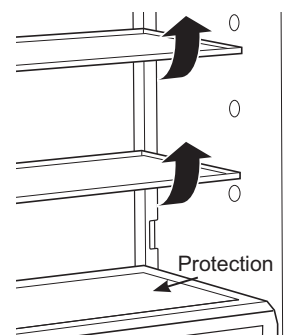
**Manipulez les clayettes en verre avec soin. Si vous cognez le verre trempé, il pourrait se briser.**

### Pour retirer les clayettes :

**REMARQUE :** Pour retirer une clayette, il est nécessaire de retirer les clayettes en dessous.

1. Retirez les aliments stockés sur la clayette
2. Retirez les protections au bas de chaque rail.
3. Inclinez l'avant de la première clayette vers le haut.
4. Faites glisser la clayette le long de la paroi arrière jusqu'au fond où se trouve l'encoche. Faites glisser la clayette dans l'encoche.

5. Répétez la procédure pour retirer les autres clayettes.



### Pour remettre les clayettes en place :

Remettez les clayettes en place en effectuant les étapes 1 à 4 en sens inverse.

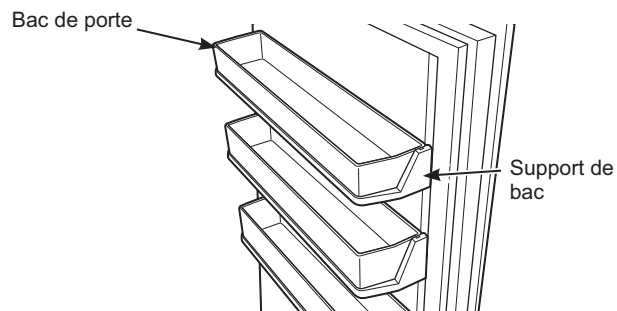
# FONCTIONS - CONGÉLATEUR DANS LE BAS SEULEMENT (suite)

## BACS DE PORTE

Les bacs de porte sont escamotables. Soulevez le bac pour le retirer de ses supports.

Les supports de bac sont réglables et peuvent être déplacés vers le haut ou vers le bas pour s'adapter à vos besoins de stockage.

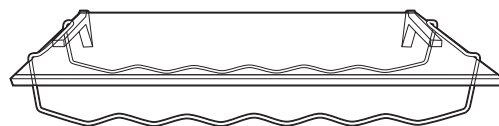
Déplacez-les en inclinant le bac à l'avant et en le faisant glisser vers le haut ou le bas le long de la paroi arrière jusqu'à la position désirée.



---

## PORTE-BOUTEILLES POUR LE VIN/LES BOISSONS

Le porte-bouteilles s'adapte à une des clayettes en verre dans le réfrigérateur. Le revêtement en caoutchouc des parties du porte-bouteilles en contact avec les clayettes évite que le porte-bouteilles ne glisse ou ne raie la clayette. Le porte-bouteilles peut contenir des bouteilles de 2 litres, des bouteilles de vin et de champagne.

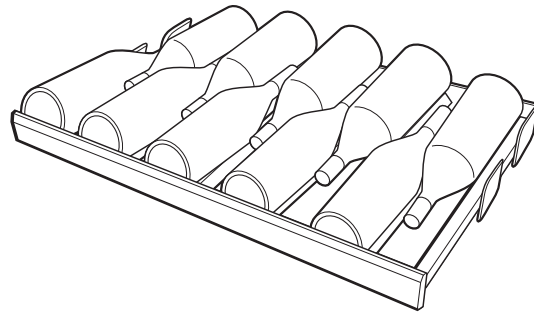


# FONCTIONS - RÉSERVE DE VIN SEULEMENT

## RANGEMENT DES BOUTEILLES DE VIN

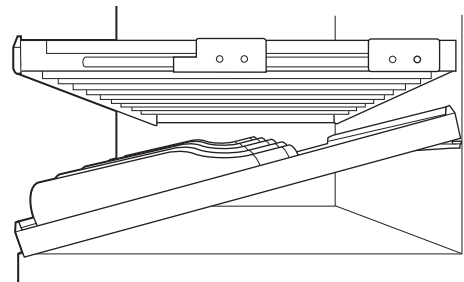
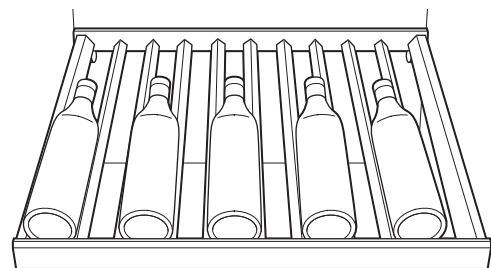
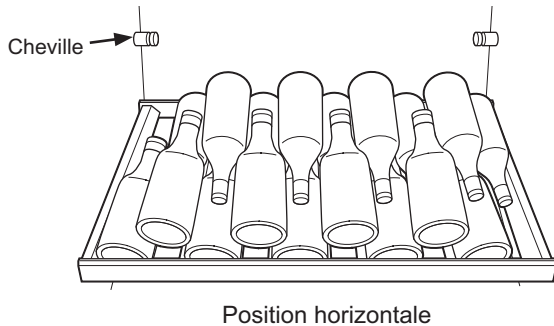
### Tiroirs à extension complète

Les 6 tiroirs du haut sont à extension complète. Chaque tiroir peut contenir jusqu'à 10 bouteilles. Les bouteilles sont stockées goulot à culot en alternant de l'avant vers l'arrière.



### Étagère de présentation du vin

L'étagère de présentation du vin peut être placée en position horizontale ou inclinée. La position horizontale peut contenir 18 bouteilles. La position inclinée peut contenir 5 bouteilles. L'étagère peut être inclinée en plaçant l'étagère sur les chevilles sur la paroi arrière.



### Conseils et suggestions de rangement des bouteilles de vin

- Conservez les vins pour un usage quotidien ou pour recevoir dans la moitié avant des tiroirs à extension complète, là où les étiquettes sont complètement visibles. Placez les vins à conserver pour une durée plus longue à l'arrière.
- Ne laissez pas les enfants grimper, s'asseoir ou se suspendre aux tiroirs à extension complète du refroidisseur à vin. Ils pourraient se blesser sérieusement et potentiellement endommager le refroidisseur à vin.
- Groupez votre vin par type : par ex., les vins blancs dans les zones les plus froides et les vins rouges dans les zones les moins froides.
- Stockez les vins rouges et les vins blancs dans des zones séparées pour les conserver à des températures différentes.



# MODE SABBAT

## MODE SABBAT

Le mode Sabbat est utilisé à l'occasion du Sabbat et des fêtes juives. La fonction Mode Sabbat permet aux personnes pratiquant la religion juive de réfrigérer et de congeler des aliments pendant les fêtes religieuses.

Le Mode Sabbat peut être activé pour neutraliser les réactions normales de votre réfrigérateur lorsque vous l'utilisez. En mode Sabbat, votre réfrigérateur continuera à fonctionner. Toutefois, le réfrigérateur ne répondra pas à vos actions. En mode Sabbat, vous remarquerez peut-être le ventilateur en marche lorsque la porte est ouverte, mais ceci ne résulte pas de vos actions. Le ventilateur fonctionne à intervalles prédéterminés. Le chauffage de dégivrage continuera à dégivrer le réfrigérateur et le congélateur et sera activé sur minuterie. Dans ce mode, le chauffage de dégivrage ne dégivre pas après ouverture de la porte ou de toute autre action de l'utilisateur.

**MARCHE/ARRÊT**— Pour activer le mode Sabbath (Sabbat), appuyez sur la touche **ALARM** (alarme) et sur la touche **(+)** du tableau de commande pendant 5 secondes. **SAB** s'affiche sur le tableau de commande. **SAB** restera affiché et les touches **(+)** et **ALARM** (alarme) qui resteront allumés jusqu'à ce que le mode Sabbat soit désactivé. Les commandes ne fonctionneront qu'à partir du moment où vous appuierez sur la touche **ALARM** (alarme) et sur la touche **(+)** du tableau de commande pendant 5 secondes.

**AFFICHAGE, ALARMES ET ÉCLAIRAGE** — L'affichage principal des commandes des températures sera désactivé et donc ne sera pas affiché, n'émettra pas de bip sonore ou ne fonctionnera pas. L'alarme de la porte et l'éclairage seront désactivés.

**MACHINE À GLAÇONS** — La machine à glaçons continuera à fonctionner. La machine à glaçons peut être désactivée en appuyant sur **OFF** (désactivé) avant d'activer le mode Sabbat (voir la section Machine à glaçons automatique).

# ENTRETIEN ET NETTOYAGE

## NETTOYAGE DE L'EXTÉRIEUR

**Poignées et garnitures de porte** — Nettoyez-les à l'aide d'un chiffon humecté d'eau savonneuse. Séchez avec un chiffon doux.

**Gardez l'extérieur du réfrigérateur propre.** Essuyez-le avec un chiffon propre légèrement humecté de détergent liquide doux pour la vaisselle. Séchez avec un chiffon propre et doux.

N'essuyez pas l'appareil avec un linge à vaisselle sale ou une serviette mouillée. Ils pourraient laisser un résidu qui endommagerait la finition du réfrigérateur. N'utilisez pas de tampons à récurer, de produits nettoyants en poudre, de javellisants ou de produits contenant du javellisant sous peine de rayer la finition.

**Acier inoxydable** — Les portes et les poignées de porte en acier inoxydable (certains modèles) peuvent se nettoyer à l'aide d'un nettoyant pour acier inoxydable offert dans le commerce. Les nettoyants qui contiennent de l'acide oxalique tels que Bar Keepers Friend Soft Cleanser™ élimineront la rouille, la ternissure et les petites taches en surface. Utilisez uniquement un nettoyant liquide exempt d'abrasif et frottez dans la direction des lignes de brosse à l'aide d'une éponge douce humide. N'utilisez pas de cire pour les meubles sur les surfaces en acier inox.

Panneaux en bois sur mesure – veuillez contacter votre fournisseur de panneau en bois pour toute information concernant l'entretien.

## NETTOYAGE DE L'INTÉRIEUR

**Coupez l'alimentation électrique du réfrigérateur au niveau du disjoncteur avant tout nettoyage.** S'il est trop difficile de débrancher l'appareil, essorez bien votre chiffon ou votre éponge pour enlever l'excès d'eau lorsque vous nettoyez autour des interrupteurs, des lampes ou des commandes.

Utilisez une solution d'eau tiède et de bicarbonate de soude — environ une cuillère à soupe (15 ml) de bicarbonate de soude dans un litre d'eau afin de nettoyer tout en neutralisant les odeurs. Rincez bien et essuyez.

Si cela n'est pas pratique, retirez l'excès d'humidité de l'éponge ou du chiffon pour nettoyer autour des interrupteurs, des lampes et des commandes.

Les autres parties du réfrigérateur (les joints, le bac à légumes, les bacs de stockage des glaçons et toutes les parties en plastique) peuvent être nettoyées de la même façon. Après nettoyage des joints de porte, enduisez de pétrolatum les joints de porte du côté des charnières. Ceci permet d'éviter que les joints ne collent et ne se déforment.

**ATTENTION** Ne nettoyez pas les tablettes ou couvercles en verre avec de l'eau chaude lorsqu'ils sont froids. Les tablettes et couvercles en verre peuvent se briser s'ils sont exposés à une variation de température soudaine, ou soumis à un impact s'ils sont heurtés ou échappés. S'il se brise, le verre trempé est conçu pour se fracturer en un grand nombre de petits éclats. Ne lavez aucune pièce en plastique au lave-vaisselle.

## PRÉPARATION EN CAS DE VACANCES

Si vous prévoyez de longues vacances ou absences, retirez les aliments de l'appareil. Augmentez la température à l'aide de la touche (+) jusqu'à ce que l'appareil s'arrête. Nettoyez l'intérieur avec une solution de bicarbonate de soude (environ une cuillère à soupe (15 ml) de bicarbonate de soude dans un litre d'eau). Laissez la porte ouverte.

**Pour des vacances plus courtes,** retirez tous les aliments périssables et laissez le réfrigérateur aux réglages habituels. Toutefois, si la température de la pièce risque de descendre en dessous de 60°F (16°C), suivez la même procédure que pour des vacances prolongées.

Éteignez la machine à glaçons et coupez l'arrivée d'eau au congélateur.

## REMPACEMENT DE L'AMPOULE INTÉRIEURE

**Ne tentez pas de remplacer une ampoule à DEL grillée.**

Le remplacement des ampoules à DEL doit être effectué par un technicien autorisé.

# PRÉPARATION

## EMPLACEMENT DU RÉFRIGÉRATEUR

N'installez pas le réfrigérateur dans une pièce où les températures descendent en-dessous de 60°F (16°C) parce qu'il serait difficile d'y maintenir une température correcte.

N'installez pas le réfrigérateur dans un endroit où la température ambiante sera supérieure à 37°C, il ne fonctionnera pas correctement.

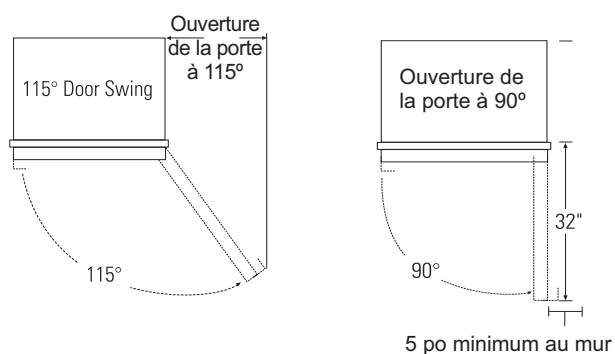
N'installez pas le réfrigérateur dans un endroit exposé à l'eau (pluie, etc.) ou directement aux rayons solaires.

Installez le réfrigérateur sur un plancher suffisamment solide pour le supporter à pleine charge.

---

## DÉGAGEMENTS

Laissez un dégagement minimum de 15 po entre la porte et le mur pour une ouverture de la porte à 115°. Pour une ouverture de porte à 90°, prévoyez un dégagement minimum de 5 po par rapport au mur pour les modèles Monogram (Européen) en acier inoxydable.



# DÉPANNAGE

Économisez temps et argent! Relisez d'abord les tableaux aux pages suivantes et vous pourriez trouver une solution avant d'appeler pour une réparation

Problème	Cause Possible
Le réfrigérateur ne fonctionne pas	Le cycle de dégivrage est peut être en cours si le réfrigérateur ne fonctionne pas pendant environ 45 minutes.
	Les commandes sont réglées sur OFF (Arrêt).
	Si l'éclairage intérieur n'est pas allumé, le réfrigérateur n'est peut-être pas branché.
	Le fusible est grillé / le disjoncteur est déclenché. Remplacez le fusible ou enclenchez le disjoncteur.
	Désactivez le mode Sabbat.
	Si votre tableau de commande affiche le terme SHO, le mode d'exposition est activé. Pour le désactiver, appuyez sur la touche ALARM (alarme) et sur la touche (-) simultanément pendant 5 secondes.
Le réfrigérateur fonctionne pendant de longues durées ou se met en marche régulièrement  (Les réfrigérateurs et congélateurs modernes ont un espace de stockage plus volumineux, ceux-ci fonctionnent donc plus longtemps à cause de ce volume supplémentaire. Ils se mettent donc en marche plus souvent pour maintenir les températures).	Ceci est normal lorsque le réfrigérateur vient d'être branché. Attendez 24 heures pour que le réfrigérateur refroidisse complètement.
	Ceci est fréquent lorsqu'une grande quantité d'aliments a été placée dans le réfrigérateur. Ceci est normal.
	La porte est ouverte ou un paquet empêche la fermeture de la porte.
	Temps chaud ou ouverture fréquente des portes. Ceci est normal.
	La température est réglée sur la température la plus basse. Voir Commandes de température.
Vibration ou cliquetis (Une légère vibration est normale.)	Le réfrigérateur n'est peut-être pas bien installé. – la patte anti-basculement est peut-être desserrée. – l'appareil n'est peut-être pas de niveau.
Bruit sourd à la fermeture de la porte	C'est un bruit de fonctionnement normal.
	Le bruit sera minimisé en fermant la porte doucement.
Bruits fonctionnement	Le compresseur à vitesse variable.
	Bruit de ventilation normal —plusieurs ventilateurs envoient de l'air froid dans les compartiments de réfrigération et de congélation, d'autres ventilateurs refroidissent le compresseur.
	La vitesse des ventilateurs varie pour fournir un refroidissement et une économie d'énergie optimum.
	Les bruits suivants sont NORMAUX et seront audibles de temps en temps – Vous entendrez peut-être des gargouillements et des chuintements à la fermeture de la porte. Ceci est dû à l'égalisation de la pression dans le réfrigérateur – Vous entendrez peut-être des bruits de ruissellement pendant le cycle de dégivrage quand la glace sur l'évaporateur fond et coule dans le bac collecteur. – La circulation du liquide frigorigène dans le système provoque parfois des gargouillements comme de l'eau en ébullition. – L'eau qui tombe sur le chauffage de dégivrage peut parfois provoquer des crépitements, des bourdonnements pendant le cycle de dégivrage. – Vous entendrez peut-être des craquements ou des bruits secs lorsque le réfrigérateur vient d'être branché ou pendant/après le cycle de dégivrage. Ceci se produit lorsque le réfrigérateur se refroidit pour corriger la température. – Le compresseur peut provoquer des claquements ou des bruits stridents au redémarrage (ceci peut prendre 5 minutes). – Le tableau de commandes électroniques peut émettre des cliquetis lorsque les relais sont activés pour contrôler certains composants du réfrigérateur. – La chute de glaçons dans le bac et la circulation de l'eau dans les tuyaux lors du remplissage de la machine à glaçons. – Le robinet d'eau de la machine à glaçons se met à bourdonner lorsque la machine se remplit d'eau.

# DÉPANNAGE

Problème	Cause Possible
La porte ne se ferme pas correctement	Un paquet ou une bouteille empêche la fermeture de la porte.
	Vérifiez le joint de la porte, il a peut-être été déplacé.
	Le réfrigérateur n'est pas de niveau. Voir les instructions d'installation.
	Les ressorts des charnières sont désactivés. Voir les instructions d'installation.
Température trop élevée dans le réfrigérateur	La température n'est pas réglée sur une température assez basse. Voir Commandes de température.
	Temps chaud ou ouverture fréquente des portes.
	La porte a été laissée ouverte trop longtemps.
	Un paquet empêche peut-être la fermeture de la porte.
La température réelle est différente de la température fixée	Le réfrigérateur vient juste d'être branché. Attendez 24 heures que la température se stabilise.
	La porte est restée ouverte trop longtemps. Attendez 24 heures que la température se stabilise.
	Des aliments chauds ont été mis dans le réfrigérateur. Attendez 24 heures que la température se stabilise.
	Dégivrage en cours. Attendez 24 heures que la température se stabilise.
Givre sur les aliments surgelés (il est normal de trouver du givre à l'intérieur des paquets)	La porte est ouverte ou un paquet empêche la fermeture de la porte.
	Ouverture trop fréquente ou trop longue des portes.
	Le tiroir est peut-être resté ouvert.
	Des glaçons ou d'autres objets sont peut-être coincés derrière le tiroir.
Formation lente des glaçons	Le tiroir est peut-être resté ouvert.
	Réglez la commande sur une température plus basse.
	Un paquet empêche peut-être la fermeture du tiroir.
Les glaçons ont une odeur / un goût	Les vieux glaçons doivent être jetés.
	Le bac à glaçons doit être vidé et lavé.
	Des paquets mal fermés dans le congélateur peuvent transmettre une odeur /un goût aux glaçons.
	L'intérieur du congélateur a besoin d'être nettoyé. Se référer à la Ntretien et Nettoyage.
	Mauvais goût de l'eau d'alimentation. Remplacez le filtre à eau.
La machine à glaçons automatique ne fonctionne pas	La machine à glaçons est éteinte.
	Le robinet d'eau est fermé ou n'est pas branché.
	Congélateur trop chaud
	Des glaçons empilés dans le bac peuvent éteindre la machine à glaçons trop tôt. Nivelez les cubes à la main.
	Bac à glaçons mal placé.
	Le filtre à eau est bouché.
	Système d'osmose inverse installé.
De la condensation se forme sur l'extérieur du réfrigérateur	Pas inhabituel lorsque le temps est très humide. Essuyez les surfaces.
	Activez la fonction de contrôle de l'humidité.
De la condensation s'accumule à l'intérieur	Ouverture trop fréquente ou trop longue des portes.
	Par temps humide, l'air amène de l'humidité dans le réfrigérateur lors de l'ouverture des portes.
	Le tiroir inférieur est passé du mode congélation au mode réfrigérateur ou conservation du vin.
Forte odeur dans le réfrigérateur	Les aliments à forte odeur doivent être emballés hermétiquement.
	Vérifiez qu'aucun aliment ne soit gâté.
L'éclairage intérieur ne fonctionne pas	Il n'y a pas d'électricité au niveau de la prise.
	Les DEL doivent être remplacées. Voir la section Services à la Clientèle.
La porte est difficile à ouvrir immédiatement après la fermeture	La fermeture hermétique de la porte est due à l'égalisation de la pression dans le réfrigérateur. Après la fermeture de la porte, attendez 5 à 30 secondes avant de l'ouvrir de nouveau.

# FICHE TECHNIQUE DE PERFORMANCE - Modèle : XWFE

- Système certifié par l'IAPMO R&T en vertu des normes 42, 53, 401, P473 de la NSF/ANSI relatives à la réduction des allégations spécifiées sur la fiche technique de rendement et le site [iapmort.org](http://iapmort.org).
- Le rendement réel peut varier selon les conditions locales de l'eau.

Substance testée e pour réduction	Concentration d'essai de l'influent (mg/L)	Concentration max. admissible dans l'eau du produit (mg/L)	Réduction moy. (%)
Goût et odeur chlore	2.0 mg/L +/- 10%	N/A	96.9
Goût et odeur chloramine	3.0 mg/L +/- 10%	0.5	96.9
Particules, Classe I	Au moins 10 000/mL	N/A	91.4
Oocystes	50,000/L	N/A	>99.99
Plomb	0.15	0.01	98.85
Mercurure	0.006	0.002	96.3
Amiante	107 à 108 fibres/L	N/A	>99
Toxaphène	0.015 +/- 10%	0.003	86.95
SCC (substitut de chloroforme C	0.300	0.015	99.7
Alachlore	0.050	0.001	> 98
Atrazine	0.100	0.003	> 97
Benzène	0.081	0.001	> 99
Carbofuran	0.190	0.001	> 99
tétrachlorure de carbone	0.078	0.0018	98
chlorobenzène	0.077	0.001	> 99
chloropicrine	0.015	0.0002	99
2, 4-D	0.110	0.0017	98
dibromochloropropane (DBCP)	0.052	0.00002	> 99
o-Dichlorobenzène	0.08	0.001	> 99
p-Dichlorobenzène	0.040	0.001	> 98
1,2-dichloroéthane	0.088	0.0048	95
1,1-dichloroéthylène	0.083	0.001	> 99
cis-1,2-dichloroéthylène	0.170	0.0005	> 99
trans-1,2-dichloroéthylène	0.086	0.001	> 99
1,2-dichloropropane	0.080	0.001	> 99
cis-1,3-dichloropropylène	0.079	0.001	> 99
dinosèbe	0.170	0.0002	99
Endrine	0.053	0.00059	99
Éthylbenzène	0.088	0.001	> 99
éthylène dibromide (EDB)	0.044	0.00002	> 99
bromochloroacétonitrile	0.022	0.0005	98
dibromoacétonitrile	0.024	0.0006	98
dichloroacétonitrile	0.0096	0.0002	98
trichloroacétonitrile	0.015	0.0003	98
1,1-dichloro-2-propanone	0.0072	0.0001	99
1,1,1-trichloro-2-propanone	0.0082	0.0003	96
heptachlore (H-34, Heptox)	0.025	0.00001	>99
heptachloreépoxyde	0.0107	0.0002	98
hexachlorobutadiène	0.044	0.001	> 98
hexachlorocyclopentadiène	0.060	0.000002	> 99
Lindane	0.055	0.00001	> 99
méthoxychlore	0.050	0.0001	> 99
pentachlorophénole	0.096	0.001	> 99
simazine	0.120	0.004	> 97
Styrène	0.150	0.0005	> 99
1,1,2,2-tétrachloroéthane	0.081	0.001	> 99
Tétrachloroéthylène	0.081	0.001	> 99
Toluène	0.078	0.001	> 99
2,4,5-TP (silvex)	0.270	0.0016	99
Acide tribromoacétique	0.042	0.001	> 98
1,2,4-Trichlorobenzène	0.160	0.0005	> 99
1,1,1-trichloroéthane	0.084	0.0046	95
1,1,2-trichloroéthane	0.150	0.0005	> 99
trichloroéthylène	0.180	0.0010	> 99
bromoforme	0.300	0.015	95
bromodichlorométhane	0.300	0.015	95
chlorodibromométhane	0.300	0.015	95
xylènes	0.070	0.001	>99
Méprobamate	400 +/- 20%	60	95.5
Aténolol	200 +/- 20%	30	95.9
Carbamazépine	1400 +/- 20%	200	98.6
diéthyltoluamide (DEET)	1400 +/- 20%	200	98.6
Métolachlore	1400 +/- 20%	200	98.7
Triméthoprim	140 +/- 20%	20	96.1
Linuron	140 +/- 20%	20	96.6
TCEP	5000 +/- 20%	700	98.1
TCCP	5000 +/- 20%	700	98.1
Phénytoïne	200 +/- 20%	30	96
Ibuprofène	400 +/- 20%	60	95.9
Naproxène	140 +/- 20%	20	96.5
Estrone	140 +/- 20%	20	97.1
Bisphénol A	2000 +/- 20%	300	99.1
Nonylphénol	1400 +/- 20%	200	97.3
PFOA/PFOS	1.5 mg/L +/- 10%	0.07	99.25

## Conditions d'application/Paramètres d'alimentation d'eau

Débit de service	0,5 gal./min. (1,89 l/min.)
Alimentation d'eau	Eau potable
Pression d'eau	25-120 psi (172-827 kPa)
Température de l'eau	33°F-100°F (0.6°C-38°C)
Capacité	170 gallons (643,5 litres)

Le rendement du produit sera conforme à ce qui est promis à condition que l'installation, l'entretien et le remplacement du filtre s'effectuent selon les recommandations du fabricant.

**Remarque :** Bien que les tests aient été réalisés dans des conditions de laboratoire.

Cartouche de rechange : XWFE. Pour une estimation du coût des pièces de rechange, visitez notre site Web [Electromenagersge.ca/fr/produits/filtres-et-accessoires](http://Electromenagersge.ca/fr/produits/filtres-et-accessoires).

## ⚠ AVERTISSEMENT Pour réduire le risque associé à l'ingestion de contaminants :

- **N'utilisez pas l'appareil avec de l'eau d'une qualité incertaine ou non potable sur le plan microbiologique sans une désinfection en amont et en aval du système.** Les systèmes homologués relativement à la réduction d'oocystes peuvent être utilisés avec de l'eau désinfectée pouvant contenir des oocystes filtrables.

## AVIS

### Pour réduire le risque de fuite ou d'inondation et pour garantir un rendement optimal du filtre :

- Lisez et observez les instructions d'utilisation avant l'installation et l'utilisation de ce système.
- L'installation et l'utilisation DOIVENT satisfaire tous les codes de plomberie locaux et nationaux.
- Ne procédez pas à l'installation si la pression d'eau excède 120 psi (827 kPa). Si votre pression d'eau excède 80 psi (552 kPa), vous devez poser une valve de limitation de pression. Faites appel à un plombier si vous avez des doutes sur la façon de mesurer votre pression d'eau.
- Ne procédez pas à l'installation si une condition de coup de bélier est susceptible de survenir. Si cette condition existe, vous devez poser un antibélier. Faites appel à un plombier si vous avez des doutes sur la manière d'identifier cette condition.
- Ne procédez pas à l'installation sur des conduites d'eau chaude. La température maximale de service de l'eau pour ce système de filtre est de 100 °F (38 °C).
- Protégez le filtre contre le gel. Drainez le filtre lorsque la température tombe sous 33 °F (0,6 °C).
- Remplacez la cartouche filtrante jetable tous les six mois, ou plus tôt si vous constatez une réduction appréciable du débit d'eau.
- L'omission de remplacer la cartouche filtrante jetable aux intervalles recommandés peut mener à une réduction du rendement du filtre et au fendillement du boîtier du filtre, entraînant ainsi des fuites ou l'inondation.
- Ce système a été mis à l'essai conformément aux normes 42, 53, 401 et P473 de la NSF/ANSI relatives à la réduction des substances mentionnées dans l'eau entrant dans le système a été réduite à une valeur inférieure ou égale à la limite admissible pour l'eau quittant le système, tel que stipulé dans les normes 42, 53, 401 et P473 de la NSF/ANSI.



Le système XWFE est certifié par l'IAPMO R&T en vertu des normes 42, 53, 401 et P473 de la NSF/ANSI relatives à la réduction des allégations spécifiées sur la fiche technique de rendement et le site [iapmort.org](http://iapmort.org).

# GARANTIE LIMITÉE DE MONOGRAM

## Monogram.com

Tous les services au titre de la garantie sont fournis par nos centres de service ou par un technicien agréé Custom Care®. Demandez un rendez-vous en ligne pour votre réparation ou rendez-vous sur [monogram.com/contact](http://monogram.com/contact). Au Canada, visitez le site [monogram.ca](http://monogram.ca).

**Pour le diagnostic, la réparation de votre réfrigérateur peut nécessiter l'utilisation du port de données embarqué. Celui-ci permet au technicien de réparation Monogram de diagnostiquer rapidement des problèmes avec votre appareil. Il permet également à Monogram d'améliorer ses produits en fournissant à ces derniers des informations sur votre appareil. Si vous ne voulez pas que les données de votre appareil soient envoyées à Monogram, veuillez demander à votre technicien de NE PAS soumettre les données à Monogram pendant la réparation.**

Pour la période de	Monogram Appliances remplacera
Garantie limitée de deux ans	Pendant deux ans à compter de la date d'achat initial, nous fournirons, gratuitement, les pièces et la main d'œuvre à domicile pour remplacer ou réparer toute pièce du réfrigérateur ou du congélateur qui se révèle défectueuse en raison d'un vice de fabrication.
Garantie limitée de cinq ans	Pendant cinq ans à compter de la date d'achat initial, nous fournirons, gratuitement, les pièces et la main d'œuvre à domicile pour remplacer ou réparer toute pièce provenant du circuit fermé de réfrigération (compresseur, condenseur, évaporateur et tout autre tuyau de branchement) qui se révèle défectueuse en raison d'un vice de fabrication.
Garantie limitée supplémentaire de six à douze ans pour le circuit fermé	De la sixième à la douzième année à compter de la date d'achat initial, nous fournirons, gratuitement, les pièces pour remplacer ou réparer toute pièce provenant du circuit fermé de réfrigération (compresseur, condenseur, évaporateur et tout autre tuyau de branchement) qui se révèle défectueuse en raison d'un vice de fabrication. Les déplacements à votre domicile pour le dépannage ainsi que la main d'œuvre à domicile restent à votre charge.
Garantie limitée de trente jours pour la cartouche du filtre à eau (filtre à eau, si inclus)	A compter de la date d'achat initial, nous fournirons, gratuitement, les pièces pour remplacer toute pièce de la cartouche du filtre à eau qui se révèle défectueuse en raison d'un vice de fabrication. Pendant la validité de la présente garantie limitée de 30 jours, nous fournirons gratuitement une cartouche de filtre à eau.

## Ce que Monogram ne couvre pas :

- Les déplacements à votre domicile pour vous expliquer l'utilisation de ce produit.
- Le remplacement des fusibles ou le réenclenchement du disjoncteur du domicile.
- Tout dommage causé par accident, incendie, inondation ou catastrophe naturelle.
- Une panne du produit s'il a été utilisé dans un but autre que celui pour lequel il a été fabriqué ou s'il a été utilisé commercialement.
- Les dommages causés après la livraison.
- Une installation, livraison ou maintenance défectueuse.  
En cas de problème d'installation, contactez votre revendeur ou votre installateur. Vous êtes responsable de la provision d'un système électrique, d'une plomberie et d'autres connexions appropriés.
- Le remplacement des ampoules ou la cartouche du filtre à eau, si inclus, et dans des conditions autres que celles susmentionnées.
- Le remplacement de la cartouche du filtre à eau, si inclus, à cause d'une pression d'eau en dehors de la gamme de fonctionnement recommandée ou à cause d'une concentration excessive de sédiment dans l'eau d'alimentation.
- Détérioration des aliments.
- Tout dommage fortuit ou indirect causé par des défauts éventuels de cet appareil.
- Le service s'il est impossible d'avoir accès au produit.
- Les dommages à la finition, tels que rouille de surface, ternissement ou petites taches, non signalés dans un délai de 48 heures suivant la livraison.

**EXCLUSION DES GARANTIES TACITES — Votre recours exclusif est l'échange du produit suivant les modalités de la Garantie Limitée. Toutes garanties tacites, y compris les garanties de valeurs marchandes ou d'adéquation à des fins particulières, sont limitées à une durée d'un an ou à la durée la plus courte autorisée par la loi.**

Certaines provinces n'acceptent pas d'exclusion ou de limites aux dommages indirects ou accessoires, cette exclusion ou restriction pourrait ne pas s'appliquer à vous. Certains droits particuliers vous sont dévolus en vertu de la présente garantie et peuvent s'accompagner d'autres droits qui varient selon votre lieu de résidence. Pour connaître vos droits juridiques, veuillez consulter le bureau local ou d'état des affaires aux consommateurs ou le Procureur Général de votre état.

**Garant: GE Appliances, a Haier company, Louisville, KY 40225**

**Au Canada, Garant: MC Commercial, Burlington, ON, L7R 5B6**

Staple your receipt here. Proof of the original purchase date is needed to obtain service under the warranty.







# MANUAL DEL PROPIETARIO

**Refrigerador de Freezer Inferior Integrado de 30”  
Refrigerador con Cava de Vinos Integrada de 30”**

ESPAÑOL.

MONOGRAM.COM

# ÍNDICE

<b>INFORMACIÓN DEL MODELO</b> .....	2
<b>SOPORTE AL CLIENTE</b> .....	3
<b>INFORMACIÓN DE SEGURIDAD</b> .....	4
<b>CONTROLES</b> .....	6
Controles de Temperatura .....	6
Cambiar las Temperaturas de la Pantalla .....	6
Bloqueo del Control Infantil .....	6
Alarma .....	7
<b>FUNCIONES</b> .....	7
<b>TODOS LOS MODELOS</b>	
Máquina de Hacer Hielo Automática .....	8
Accediendo al cajón .....	8
Cartucho del Filtro de Agua .....	8
Cajón Adaptable .....	9
Control de Humedad Exterior .....	9
Iluminación de la Pantalla con Luces LED .....	9
<b>FREEZER INFERIOR ÚNICAMENTE</b>	
Olla de Verduras .....	10
Repisa del Cajón de Verduras con Luz .....	10
Repisas Ajustables .....	10
Estantes de la Puerta .....	11
Estante de Vinos / Bebidas .....	11
<b>CAVA DE VINOS ÚNICAMENTE</b>	
Distribución de las Botellas de Vino .....	12
<b>MODO SABÁTICO</b> .....	13
<b>CUIDADO Y LIMPIEZA</b> .....	14
Limpieza Exterior .....	14
Limpieza Interior .....	14
Preparación Para las Vacaciones .....	14
Reemplazo de la Luz Interna .....	14
<b>PREPARACIÓN</b> .....	15
Ubicación del Refrigerador .....	15
Espacios Libres .....	15
<b>SOLUCIÓN DE PROBLEMAS</b> .....	16
<b>FICHA TÉCNICA DE FUNCIONAMIENTO</b> .....	18
<b>GARANTÍA LIMITADA DE MONOGRAM</b> .....	19

## INFORMACIÓN DEL MODELO

### NÚMEROS DE MODELO

ZIC303NP\*II, ZIK303NP\*II, ZIW303NP\*II

### ESCRIBA LOS NÚMEROS DE MODELO Y SERIE

Los encontrará en una etiqueta dentro del compartimento superior hacia la parte inferior.

Por favor escriba estos números aquí :

\_\_\_\_\_  
Número de Modelo

\_\_\_\_\_  
Número de Serie

# SOPORTE AL CLIENTE

## SITIO WEB DE MONOGRAM

¿Desea realizar una consulta o necesita ayuda con su electrodoméstico? ¡Intente a través del sitio Web de Monogram las 24 horas del día, cualquier día del año! También puede comprar más grandiosos productos de Monogram y sacar ventaja de todos nuestros servicios de soporte a través de Internet, diseñados para su conveniencia. En EE.UU.: [monogram.com](http://monogram.com) o en Canadá: [monogram.ca](http://monogram.ca)

---

## REGISTRE SU ELECTRODOMÉSTICO

¡Registre su electrodoméstico nuevo a través de Internet, según su conveniencia! Un registro puntual de su producto permitirá una mejor comunicación y un servicio más puntual de acuerdo con los términos de su garantía, en caso de surgir la necesidad. También puede enviar una carta en la tarjeta de inscripción pre impresa que se incluye con el material embalado.

En EE.UU.: [monogram.com](http://monogram.com).

En Canadá: [Prodsupport.mabe.ca/crm/Products/ProductRegistration.aspx](http://Prodsupport.mabe.ca/crm/Products/ProductRegistration.aspx)

---

## SERVICIO PROGRAMADO

El servicio de reparación de expertos de Monogram está a sólo un paso de su puerta. Conéctese a través de Internet y programe el servicio a su conveniencia cualquier día del año.

En EE.UU.: [Monogram.com](http://Monogram.com)

En Canadá: [Monogram.ca](http://Monogram.ca)

---

## CONECTIVIDAD REMOTA

Para recibir asistencia en relación a la conectividad de su red inalámbrica (para modelos con activación remota), visite nuestro sitio web en [monogram.com/connect](http://monogram.com/connect)

---

## PIEZAS Y ACCESORIOS

Individuos calificados para realizar el servicio técnico de sus propios electrodomésticos podrán solicitar el envío de piezas o accesorios directamente a sus hogares (se aceptan las tarjetas VISA, MasterCard y Discover). Ordene a través de Internet durante las 24 horas del día.

En EE.UU.: [monogram.com/use-and-care/parts](http://monogram.com/use-and-care/parts)

**Las instrucciones que figuran en este manual cubren los procedimientos que serán realizados por cualquier usuario. Otros servicios técnicos generalmente deberán ser derivados a personal calificado del servicio técnico. Se deberá tener cuidado, ya que una reparación indebida podrá hacer que el funcionamiento no sea seguro.**

Los clientes de Canadá deberán consultar en el centro de servicio Mabe, visitar nuestro sitio web en [monogram.ca](http://monogram.ca)

---

## CONTÁCTENOS

Si no se encuentra satisfecho con el servicio que recibió de Monogram, comuníquese con nosotros a través de nuestro sitio Web con todos los detalles, incluyendo su número telefónico, o escriba a :

En EE.UU.: General Manager, Customer Relations | Monogram Appliances, Appliance Park | Louisville, KY 40225

[monogram.com/contact](http://monogram.com/contact)

En Canadá: [monogram.ca/contact](http://monogram.ca/contact)

---

# INFORMACIÓN IMPORTANTE DE SEGURIDAD

## LEA TODAS LAS INSTRUCCIONES ANTES DE USAR ESTE ELECTRODOMÉSTICO

### **▲ADVERTENCIA**

A fin de reducir el riesgo de incendio, explosión, descargas eléctricas o lesiones al usar su refrigerador/ freezer, siga estas precauciones básicas de seguridad:

- Este refrigerador/freezer se deberá instalar y ubicar adecuadamente de acuerdo con las Instrucciones de Instalación antes de ser usado.
- Desenchufe el refrigerador/ freezer antes de realizar su limpieza o reparaciones. NOTA: La corriente al refrigerador/ freezer no puede ser desconectada a través de una configuración del panel de control. NOTA: Las reparaciones deberán ser realizadas por un Profesional del Servicio Técnico calificado.
- Reemplace todas las piezas y paneles antes del uso.
- No use un prolongador.
- No guarde ni use gasolina u otros vapores y líquidos inflamables cerca de este o de otros electrodomésticos.
- No guarde sustancias explosivas tales como latas de aerosoles con propelentes inflamables en este dispositivo.
- A fin de evitar riesgos de que los niños sufran asfixia o queden atrapados, retire las puertas de comidas frescas y del freezer de cualquier refrigerador/ freezer antes de deshacerse de o de dejar de usar el mismo.
- A fin de evitar lesiones graves o la muerte, los niños no se deberán parar sobre, ni jugar en o con el electrodoméstico.
- Los niños y las personas con capacidad física, sensorial o mental reducida o con falta de experiencia y conocimiento podrán usar este electrodoméstico sólo si son supervisados o les fueron dadas instrucciones sobre un uso seguro y entienden los riesgos involucrados.
- Este electrodoméstico fue diseñado para uso hogareño y en aplicaciones similares tales como: áreas de personal de cocina en tiendas, oficinas y otros espacios laborales; casas de campo; por clientes en hoteles, moteles, hostales y otros espacios residenciales, catering y aplicaciones no minoristas similares.

### **▲PRECAUCIÓN**

A fin de reducir el riesgo de lesión al usar su refrigerador/ freezer, siga estas precauciones básicas de seguridad.

- No limpie los estantes de vidrio ni las tapas con agua caliente cuando estén fríos. Los estantes de vidrio y las tapas se pueden romper si son expuestos a cambios de temperatura repentinos o a impactos, tales como sacudones o caídas. El vidrio templado está diseñado para destruirse en pequeñas piezas en caso de rotura.
- Mantenga los dedos fuera de los espacios de "riesgo de lastimaduras"; los espacios entre las puertas y entre las puertas y el gabinete son necesariamente pequeños. Tenga el cuidado de cerrar las puertas cuando los niños se encuentren en el área.
- No toque las superficies frías del compartimiento del freezer cuando las manos estén húmedas o mojadas, ya que la piel podrá quedar adherida a estas superficies extremadamente frías.
- No vuelva a congelar comidas que hayan estado totalmente congeladas en forma previa.
- En freezers con máquinas de hielos automáticas, evite el contacto con las partes móviles del mecanismo eyector o con el elemento de calefacción que libera los cubos. No coloque los dedos ni las manos en el mecanismo de la máquina de hielos automática mientras el freezer se encuentre enchufado.

## INSTALACIÓN

### **▲ADVERTENCIA**



### **RIESGO DE EXPLOSIÓN**

Mantenga cualquier material y vapores inflamables, tales como gasolina, alejados del refrigerador/ freezer. Si no se cumple con esto, se podrá producir una explosión, incendio o la muerte.

## LEA Y GUARDE ESTAS INSTRUCCIONES

# INFORMACIÓN IMPORTANTE DE SEGURIDAD

## LEA TODAS LAS INSTRUCCIONES ANTES DE USAR ESTE ELECTRODOMÉSTICO

### CONEXIÓN DE LA ELECTRICIDAD

#### **⚠ ADVERTENCIA**



#### **RIESGO DE DESCARGA ELÉCTRICA**

Enchufe en un tomacorriente con conexión a tierra de 3 cables.

No elimine el cable de conexión a tierra.

No use un adaptador.

No use un prolongador.

Si no se siguen estas instrucciones, se podrá producir la muerte, incendios o descargas eléctricas.

**Nunca, bajo ninguna circunstancia, corte o elimine el tercer cable (tierra) del cable de corriente. Por seguridad personal, este electrodoméstico debe estar adecuadamente conectado a tierra.**

El cable de corriente de este electrodoméstico contiene un enchufe de 3 cables (conexión a tierra) que se conecta a un tomacorriente de pared estándar de 3 cables (conexión a tierra) para minimizar la posibilidad de riesgos de descargas eléctricas por parte del mismo.

Contrate a un electricista calificado para que controle el tomacorriente y el circuito eléctrico, a fin de asegurar que el enchufe esté correctamente conectado a tierra.

En caso de contar con un tomacorriente de pared de 2 cables, es su responsabilidad y obligación reemplazarlo por un tomacorriente de pared de 3 cables correctamente conectado a tierra. No use un adaptador.

El refrigerador/ freezer deberá estar siempre conectado a un enchufe específico con un índice de voltaje equivalente al que figura en su etiqueta de especificaciones técnicas.

Se requiere un suministro eléctrico con fusible y conexión a tierra de 115 voltios de CA, 60 Hz, 15 o 20 amperes. Esto garantiza el mejor funcionamiento y además previene la sobrecarga de los circuitos del hogar, lo cual podría ocasionar riesgos de incendio debido al recalentamiento de cables.

Nunca desenchufe el refrigerador/ freezer tirando del cable de corriente. Siempre tome su enchufe de manera firme y empuje el mismo hacia fuera para retirarlo.

Inmediatamente interrumpa el uso de un cable de suministro de corriente dañado. Si el cable de corriente se encuentra dañado, su reemplazo deberá ser realizado por un profesional calificado del servicio técnico, utilizando una pieza del servicio técnico autorizada por el fabricante.

Al alejar el refrigerador/ freezer de la pared, se deberá tener cuidado de que no ruede sobre ni dañe el cable de corriente.

### FORMA ADECUADA DE DESCARTAR SU ANTIGÜO REFRIGERADOR/ FREEZER

#### **⚠ ADVERTENCIA**

#### **RIESGO DE SOFOCACIÓN O DE QUEDAR ATRAPADO**

Si no se siguen estas instrucciones de descarte, se podrá producir la muerte o lesiones graves.

**IMPORTANTE:** Que un niño quede atrapado o que sufra una asfixia no son problemas del pasado. Los refrigeradores/ freezers antiguos o abandonados aún son peligrosos, incluso aunque se conserven por "sólo unos pocos días". Si se

deshará de su antiguo refrigerador/ freezer, siga las siguientes instrucciones a fin de evitar accidentes.

#### **Antes de Descartar su Antiguo Electrodoméstico**

- Retire las puertas de comidas frescas y del freezer.
- Deje las repisas en su lugar de modo que los niños no puedan trepar dentro con facilidad

#### **Cómo Eliminar Refrigerantes y Gomaespumas:**

Descarte el electrodoméstico de acuerdo con las Regulaciones Federales y Locales. El refrigerante inflamable y los materiales aislantes utilizados requieren procedimientos especiales de eliminación. Comuníquese con las autoridades locales para descartar su electrodoméstico de forma ambientalmente segura

#### **⚠ ADVERTENCIA**



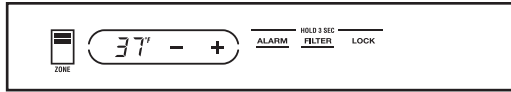
#### **RIESGO DE INCENDIO O EXPLOSIÓN Refrigerantes Inflamables**

**Este electrodoméstico cuenta con refrigerante isobutano, también conocido como R600a, un gas natural con alto nivel de compatibilidad medioambiental. Sin embargo, también es combustible. Siga las advertencias que figuran a continuación, a fin de reducir el riesgo de lesiones o daños sobre la propiedad.**

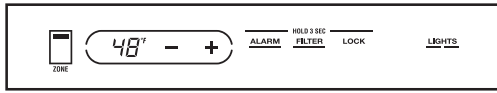
1. Al mover, instalar o operar el electrodoméstico, se deberá tener cuidado de no dañar la tubería del refrigerante.
2. El servicio técnico sólo debe ser realizado por personal autorizado del servicio. Use sólo piezas del servicio autorizadas por el fabricante
3. Descarte el electrodoméstico de acuerdo con las Regulaciones Federales y Locales. El refrigerante inflamable y el material aislante inflamable usados en este producto requieren procedimientos de descarte especiales. Comuníquese con las autoridades locales para descartar su refrigerador de forma ambientalmente segura.
4. Mantenga las aberturas de ventilación en el espacio de protección del electrodoméstico o en la estructura incorporada libres de obstrucción.
5. A fin de eliminar la escarcha, raspe con una espátula o raspador de plástico o madera. No use un pico de hielo o un instrumento de metal con forma puntiaguda, ya que esto podrá perforar el revestimiento del freezer y luego la tubería refrigerante inflamable detrás de éste.
6. No use dispositivos eléctricos dentro del compartimiento de almacenamiento de comida del electrodoméstico.
7. No use ningún dispositivo eléctrico para descongelar su refrigerador.
8. No dañe el circuito del refrigerante.

## LEA Y GUARDE ESTAS INSTRUCCIONES

# CONTROLES



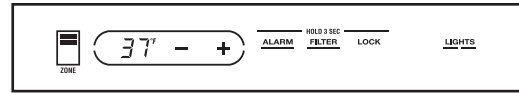
Compartimiento Superior del Freezer Inferior  
- Unidad con Puerta Sólida



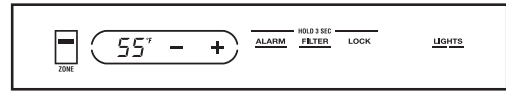
Compartimiento Superior de la Cava de Vinos  
- Sección Superior - Unidad con Puerta de Vidrio



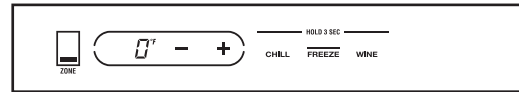
Cajón Superior - Freezer



Compartimiento Superior del Freezer Inferior  
- Unidad con Puerta de Vidrio



Compartimiento Superior de la Cava de Vinos  
- Sección Inferior - Unidad con Puerta de Vidrio



Cajón Inferior - Adaptable

## CONTROLES DE TEMPERATURA

La pantalla de temperatura muestra la temperatura actual del compartimiento superior, del cajón del freezer o del cajón adaptable cuando cada uno es seleccionado al mover el indicador de Zona. La temperatura actual variará con relación a la temperatura programada, dependiendo de factores tales como la frecuencia de apertura de la puerta, cantidad de comida, ciclo de descongelamiento y temperatura ambiente.

**NOTA:** La apertura frecuente de la puerta o si se deja la puerta abierta durante un período de tiempo podrán incrementar la temperatura interior de los compartimientos en forma temporal.

Para apagar el sistema de enfriamiento, mueva el indicador de ZONE (Zona) al modo de compartimiento superior. Presione la tecla más (+) hasta que la pantalla muestre **OFF** (Apagado).

Para encender el sistema de enfriamiento, mueva el indicador de ZONE (Zona) al modo de compartimiento deseado y presione la tecla más (+) o menos (-) hasta que figure la temperatura deseada.

Para controlar la configuración de temperatura actual de un compartimiento, presione la tecla más (+) o menos (-). Luego de 5 segundos, la pantalla regresará a la temperatura actual.

Para cambiar las programaciones de temperatura, presione la tecla más (+) o menos (-) para cada incremento hasta el punto de programación de temperatura deseado. Permita que la unidad alcance la temperatura que programó durante un período de 24 horas.

**NOTA:** Configurar los controles en **OFF** (Apagar) detiene el enfriamiento, pero no apaga la corriente eléctrica de la unidad. Todas las lecturas en °C serán redondeadas.

Rangos de Temperatura				
	Freezer Inferior		Secciones Superior e Inferior de la Cava de Vinos	
	Baja	Alta	Baja	Alta
Compartimiento Superior	34°F (1°C)	46°F (8°C)	40°F (4°C)	65°F (18°C)
Cajón del Freezer	-6°F (-21°C)	6°F (-14°C)	-6°F (-21°C)	6°F (-14°C)

Cocinas con Temperatura de Cajón Ajustable		
	Baja	Alta
Freezer	-6°F (-21°C)	6°F (-14°C)
Enfriar	34°F (1°C)	46°F (8°C)
Vino	40°F (4°C)	55°F (13°C)

## CÓMO CAMBIAR LAS TEMPERATURAS DE LA PANTALLA DE °F A °C

Para cambiar la pantalla de temperatura de Fahrenheit a Celsius, presione las teclas más (+) y menos (-) por 5 segundos.



## BLOQUEO DEL CONTROL INFANTIL

La función de bloqueo de control para niños previene cambios no deseados en sus configuraciones de temperatura.

Una vez establecida la temperatura deseada, ésta puede ser bloqueada. Para bloquear, mantenga presionado el botón **LOCK** (Bloquear) durante 3 segundos. Para desbloquear, mantenga presionado el botón **LOCK** (Bloquear) durante 3 segundos. Para reiniciar el filtro de agua o la alarma, el control deberá estar desbloqueado.

## ALARMA

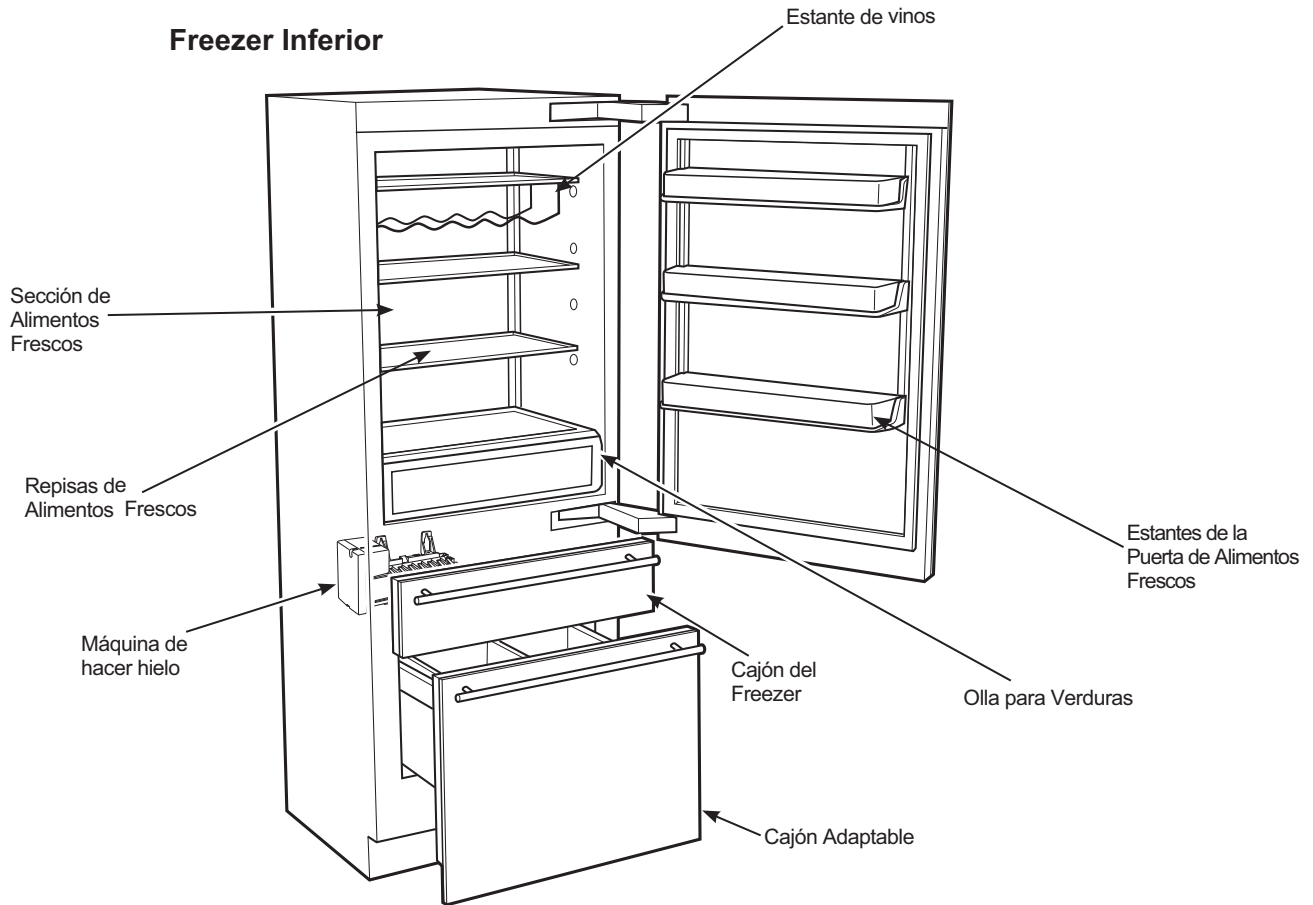
Para encender la función de Alarma, mantenga presionado el botón **ALARM** (Alarma) durante 3 segundos. **ALARM** (Alarma) aparecerá subrayado cuando se active. Para apagarla, mantenga presionado el botón **ALARM** (Alarma) durante 3 segundos. El subrayado desaparecerá.

Cuando la función **ALARM** (Alarma) esté activa, ésta titilará y emitirá un pitido si mantiene la puerta abierta por más de 2 minutos.

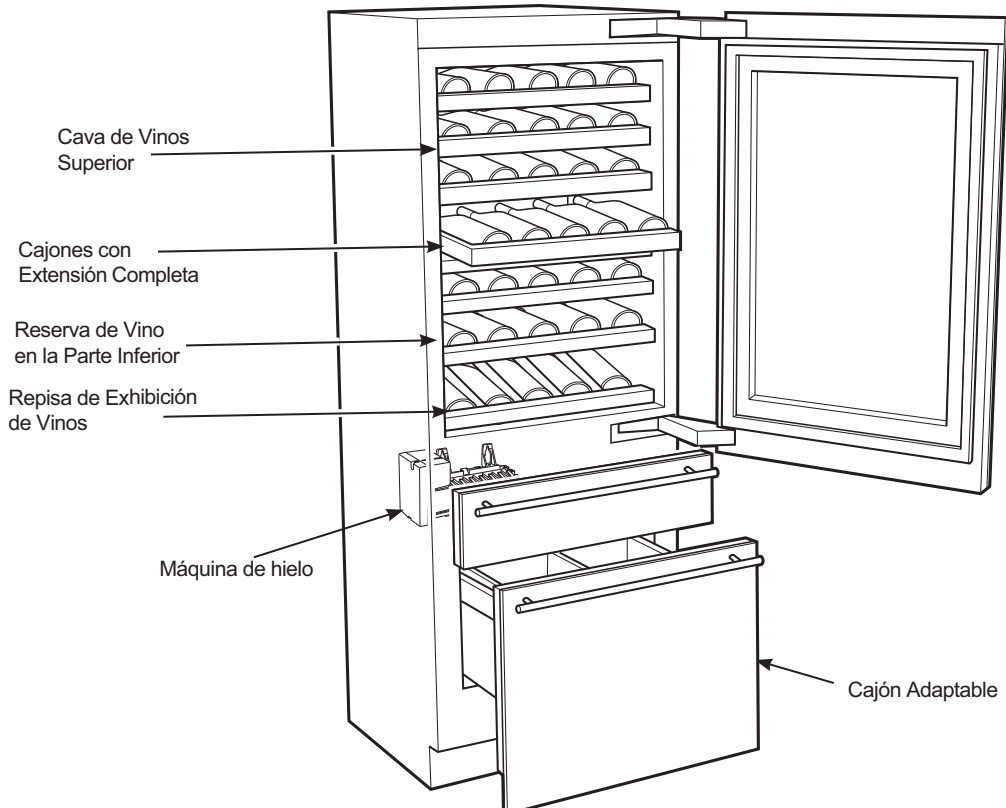


# FUNCIONES

## Freezer Inferior



## Cava de Vinos



# FUNCIONES - TODOS LOS MODELOS

## MÁQUINA DE HACER HIELO AUTOMÁTICA

Puede tomar entre 12 y 24 horas que un refrigerador recién instalado comience a fabricar hielo. El refrigerador se envía con la máquina de hacer hielo configurada en **ON** (Encendido).

La máquina de hacer hielo producirá siete cubos por ciclo, y aproximadamente 15 ciclos en un período de 24 horas, dependiendo de la temperatura del compartimiento del freezer, la temperatura ambiente, la cantidad de veces que se abra la puerta y otras condiciones de uso.

Si el refrigerador se utiliza antes de realizar la conexión del agua a la máquina de hacer hielo, configure la máquina de hacer hielo en **OFF** (Apagado). Para configurar la máquina de hacer hielo en **OFF** (Apagado), presione el indicador de **ZONE** (ZONA) en la tecla de control dos veces para seleccionar el cajón del freezer. Presione el ícono **ICE** (Hielo) sobre la derecha. La línea debajo de **ICE** (Hielo) desaparecerá y la palabra **OFF** (Apagado) aparecerá debajo de **ICE** (Hielo).

Descarte el primer balde completo de hielo.

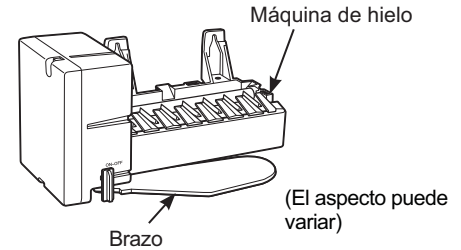
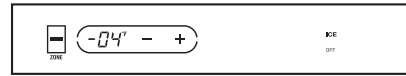
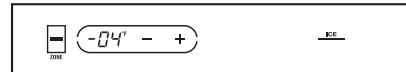
Asegúrese de que nada interfiera con la extensión del brazo indicador.

Cuando el cubo se llene hasta el nivel del brazo indicador, la máquina de hacer hielo dejará de producir hielo. Es normal que varios cubos queden juntos.

Si el hielo no se usa con frecuencia, los cubos de hielo viejos se volverán turbios, con sabor rancio y su tamaño se reducirá.

Una vez que la máquina de hacer hielo se encienda nuevamente, habrá un retraso de 45 minutos antes de que ésta vuelva a entrar en funcionamiento.

**NOTA:** En hogares con un nivel de presión inferior a la normal, es posible que escuche que la válvula de agua de la máquina de hacer hielo realice varios ciclos para producir una cantidad de hielo.



**NOTA:** La máquina de hacer hielo funciona mejor con una presión hogareña de entre 40 y 120 PSI.

**NOTA:** En el frente de la Máquina de Hielo se encuentra un interruptor mecánico con la indicación ON/OFF (Encendido/ Apagado) que se desliza de izquierda a derecha. Este interruptor deberá permanecer en ON (Encendido) (posición izquierda). La máquina de hielo se deberá encender y apagar usando el control electrónico.

### ⚠ PRECAUCIÓN

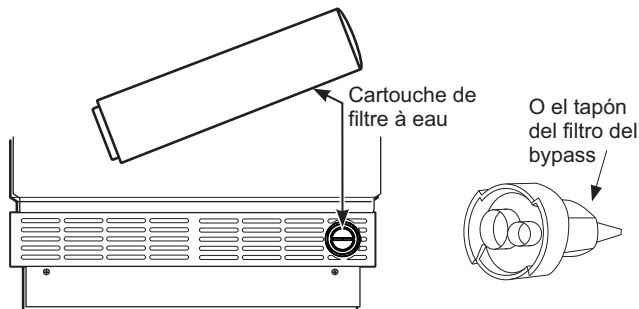
Evite el contacto con las partes en movimiento del mecanismo expulsor o con el elemento de calefacción (ubicado en la parte inferior de la máquina de hielos) que expulsa los cubos. No coloque los dedos ni las manos en el mecanismo de la máquina de hielos automática mientras el refrigerador esté enchufado.

## CÓMO ACCEDER A LA MÁQUINA DE HACER HIELO Y AL CAJÓN DEL FREEZER

La máquina de hacer hielo se encuentra en el techo del cajón del freezer, sobre la parte trasera izquierda. El techo del cajón del freezer cuenta con una tira de luces LED. El cajón del freezer cuenta con 1 recipiente para hielo y 1 cuchara para el hielo.

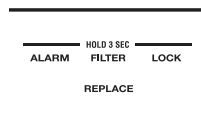
## CARTUCHO DEL FILTRO DE AGUA

El cartucho del filtro de agua se encuentra ubicado debajo del cajón adaptable, del lado inferior derecho del electrodoméstico.



### Para Reemplazar el Filtro:

El panel de control cuenta con una luz indicadora de reemplazo del cartucho del filtro de agua. El cartucho del filtro deberá ser reemplazado cuando la palabra **REPLACE** (Reemplazar) aparezca debajo de **FILTER** (Filtro) en el panel de control.



**IMPORTANTE:** Se deberá instalar el cartucho del filtro o el tapón del bypass del filtro para la producción de hielo.

### Instalación del Cartucho del Filtro:

1. Abra el cajón adaptable para tener acceso al cartucho del filtro de agua.
2. Retire el cartucho anterior (o tapón del bypass) girando el mismo en sentido antihorario. Empuje el filtro/ tapón hacia adelante para su retiro.
3. Inserte el nuevo filtro/ tapón en el compartimiento y gire el mismo en sentido horario hasta que éste se detenga.

### Reemplazo del filtro y tapón del bypass del filtro:

Para ordenar cartuchos del filtro o un tapón del bypass del filtro adicionales, visite nuestro sitio web en [monogram.com](http://monogram.com).

**Número de Modelo del Filtro: XWFE**

**Tapón de Bypass del Filtro: WR17X33825**

**Nota Importante:** Retire el filtro de agua o el tapón del bypass del filtro para detener de inmediato cualquier goteo de agua de la máquina de hielo.



# FUNCIONES - TODOS LOS MODELOS

## CAJÓN ADAPTABLE

El cajón adaptable se puede usar como freezer, como refrigerador de alimentos frescos o como cajón de vinos/ bebidas.

### Para adaptar su cajón:

Presione el indicador de **ZONE** (ZONA) en la tecla de control para seleccionar el cajón adaptable.

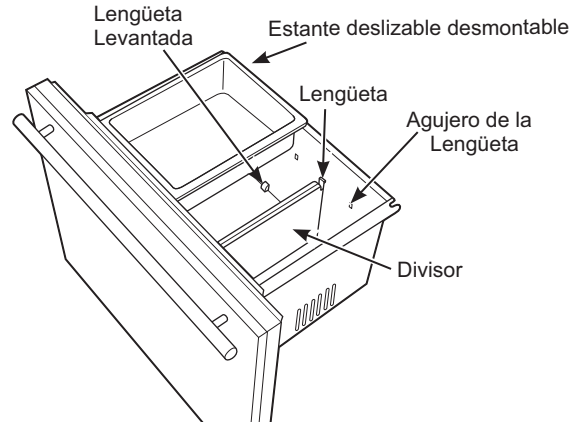
### Temperaturas Recomendables para el Cajón Adaptable:

Botón	Función	Temperatura
Enfriar	Alimentos Frescos	37°F/3°C
Congelar	Freezer	0°F/-18°C
Vino	Almacenamiento de Vino	55°F/13°C

Este cajón cuenta con una tira de iluminación LED arriba de éste. También cuenta con un divisor adaptable que se puede ubicar en diferentes posiciones y un estante que se puede deslizar de izquierda a derecha en el cajón.

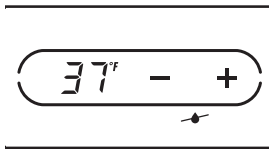
### Para cambiar la posición del divisor:

1. Empuje las lengüetas en la parte superior del divisor para liberar el divisor de los agujeros de las lengüetas en la parte frontal y trasera del cajón.
2. Levante el divisor de las lengüetas levantadas en la parte inferior del cajón..
3. Mueva el divisor hasta su nueva ubicación y deslice el mismo en las lengüetas levantadas.
4. Empuje las lengüetas en la parte superior del divisor y posicione el divisor de modo que las lengüetas coincidan con los agujeros de éstas. Libere las lengüetas de modo que queden bloqueadas.



## CONTROL DE HUMEDAD EXTERIOR

Este producto está equipado con una función de control de humedad exterior. El refrigerador se envía con la función de control de humedad exterior apagada.



En algunos ambientes húmedos, se puede formar humedad en la superficie frontal del gabinete del refrigerador. Si aparece humedad en la superficie frontal del gabinete del refrigerador, encienda la función de control de humedad exterior, manteniendo presionados los botones **ALARM** (Alarma) y **LOCK** (Bloqueo) en el panel de control por 5 segundos. Una vez activada, aparecerá una pequeña imagen de una gotita de agua con una línea a través de éste, debajo de los signos (+) y (-) en el panel de control.

A fin de apagar la función de control de humedad externa, mantenga presionados los botones **ALARM** (Alarma) y **LOCK** (Bloqueo) sobre el panel de control durante 5 segundos. El icono de gota de agua desaparecerá.

## ILUMINACIÓN DE LA PANTALLA CON LUCES LED

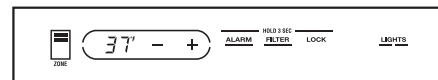
Esta unidad cuenta con luces LED a ambos lados del interior, así como también sobre el cajón del freezer y sobre el cajón adaptable.

### Sólo Modelos de Puerta de Vidrio

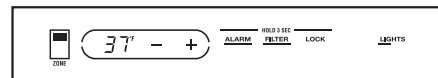
Los modelos de puerta de vidrio cuentan con una opción de iluminación de pantalla para las luces del lado interior: corriente completa o ½ de la corriente.

En el modo de pantalla ya sea con corriente completa o ½ de la corriente, las luces permanecerán encendidas luego de haber cerrado la puerta y se apagarán automáticamente luego de 1 hora.

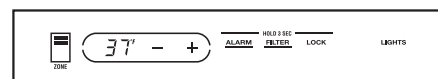
Para acceder a las opciones de iluminación, presione el indicador de **ZONE** (Zona) en la tecla de control. En el modo de compartimento superior, el botón **LIGHTS** (luces) se encuentra sobre la derecha de la tecla de control. Cuando las luces tienen corriente completa, hay 2 barras debajo de **LIGHTS** (Luces); con la mitad de la corriente, hay 1 barra; cuando las luces están apagadas, no hay barras.



Luces con Corriente Completa



Luces con la Mitad de la Corriente



Luces Apagadas

# FUNCIONES - FREEZER INFERIOR ÚNICAMENTE

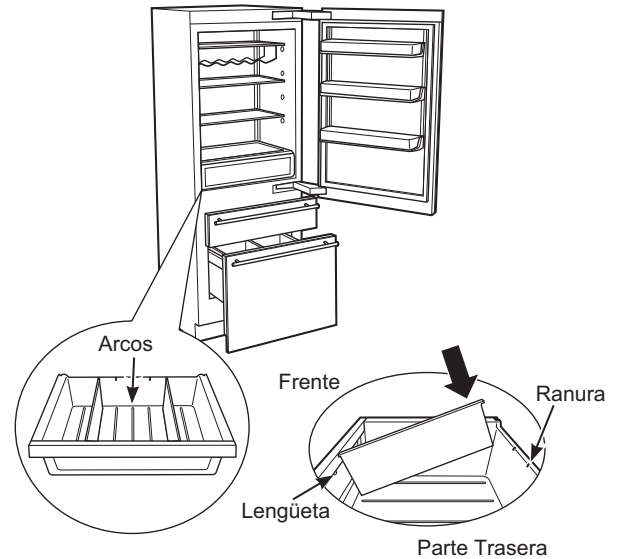
## OLLA DE VERDURAS

La Olla de Verduras de la sección de alimentos frescos del refrigerador cuenta con una tira de luces LED sobre el cajón.

Hay divisores adaptables con varias opciones diferentes de posición. El divisor se mantiene en el lugar gracias a una lengüeta ubicada debajo de la manija, una ranura ubicada en la pared trasera y un arco estabilizador en la parte inferior del cajón para cada posición.

### Para cambiar la posición del divisor:

1. Empuje hacia arriba sobre la parte trasera del divisor para liberarlo de la ranura en la parte de atrás y de la lengüeta en la parte del frente.
2. Deslice el divisor hasta una nueva ubicación, asegurándose de que se apoye en el arco sobre la parte inferior del cajón.
3. Empuje hacia arriba en la parte trasera del divisor para ubicar el frente debajo de la lengüeta en la nueva ubicación.
4. Empuje hacia abajo sobre la parte trasera del divisor para apoyarlo en la ranura de la nueva ubicación.



## REPISA DEL CAJÓN DE VERDURAS CON LUZ

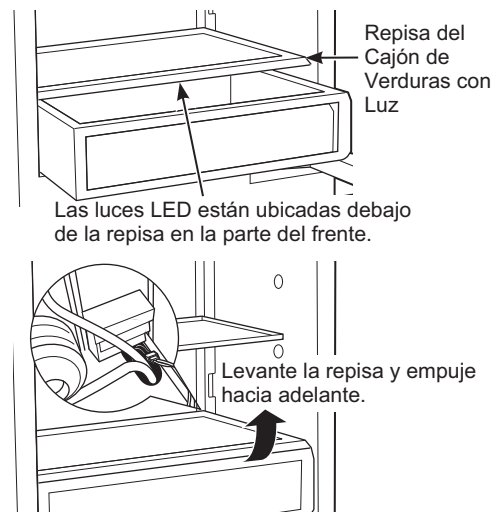
La repisa del cajón de verduras con luz brinda iluminación para los compartimientos inferiores. Las luces están ubicadas en el estante a fin de iluminar los cajones que se encuentran debajo.

### Para retirar el estante:

1. Levante el estante y con cuidado empuje hacia adelante para que estén visibles los cables.
2. Desenchufe el estante y con cuidado retire el mismo del refrigerador.

### Para reemplazar el estante:

1. Con cuidado instale el estante en los rieles laterales, dejando el enchufe expuesto.
2. Enchufe el estante en el refrigerador.
3. Con cuidado deslice el estante en su ubicación.



## REPISAS AJUSTABLES

Las repisas de vidrio templado de la sección de alimentos frescos le permiten realizar arreglos eficientes sobre las mismas para cubrir las necesidades de almacenamiento de comida para su familia.

**Para ajustar las repisas:** Incline la repisa hacia arriba desde el frente y deslice la misma hacia arriba o abajo sobre la pared trasera hasta la ubicación que desee.

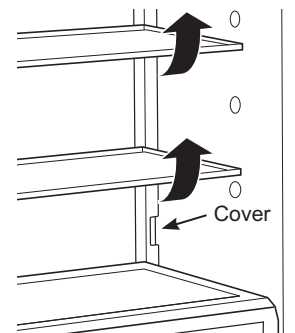
**Sostenga las repisas de vidrio con cuidado. Un manejo brusco del vidrio templado producirá el riesgo de que se rompa en pedazos.**

### Para retirar las repisas:

NOTA: Para retirar una repisa, primero se deberán retirar todas las repisas debajo de ésta.

1. Retire todos los alimentos de la repisa.
2. Retire las tapas en la parte inferior de cada soporte de riel.
3. Incline la primera repisa hacia arriba en la parte frontal.
4. Deslice la repisa hacia abajo sobre la pared trasera, hasta que llegue al final donde se localiza la abertura. Deslice la repisa por la abertura.

5. Repita estos pasos para retirar el resto de las repisas.



### Para reemplazar repisas:

Reemplace las repisas realizando los pasos 1 a 4 en forma inversa.

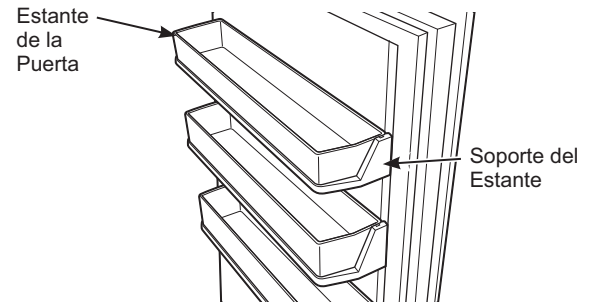
# FUNCIONES - FREEZER INFERIOR ÚNICAMENTE (cont.)

## ESTANTES DE LA PUERTA

Los estantes de la puerta son extraíbles. Para retirar un estante, levante y empuje el mismo hacia afuera del soporte de estantes.

Los soportes de estantes son adaptables y se pueden mover hacia arriba y abajo para cubrir sus necesidades de almacenamiento.

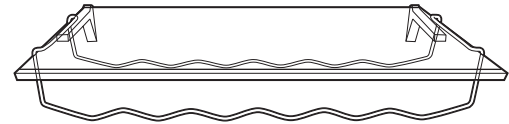
Haga esto inclinando el estante hacia arriba en la parte frontal y deslizando el mismo hacia arriba o abajo, a lo largo de la puerta hasta la ubicación que desee.



---

## ESTANTE DE VINOS / BEBIDAS

El estante de vinos/ bebidas se adapta a una de las repisas de vidrio del compartimiento de alimentos frescos. La capa de goma en las partes del estante que se apoyan sobre la repisa evita que el estante raye o se resbale de la repisa. El estante de vinos/ bebidas puede almacenar botellas de 2 litros, botellas de vino y botellas de champagne.

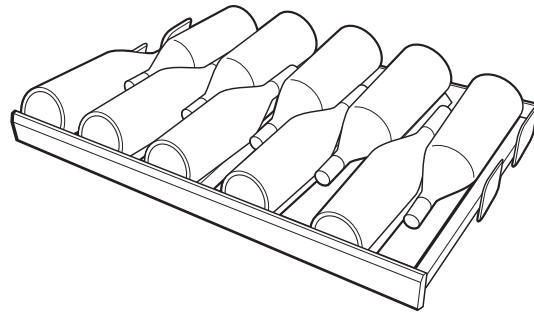


# FUNCIONES - CAVA DE VINOS ÚNICAMENTE

## DISTRIBUCIÓN DE LAS BOTELLAS DE VINO

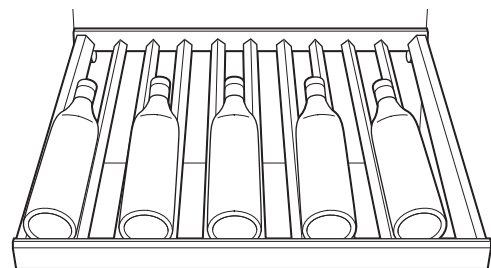
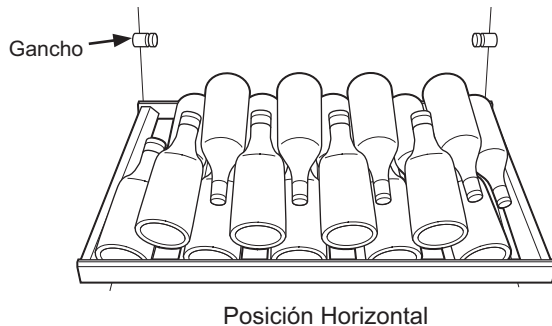
### Cajones con Extensión Completa

Los 6 cajones superiores cuentan con extensión completa, donde cada cajón sostiene hasta 10 botellas. Las botellas se guardarán con sus cuellos de forma alternada del frente hacia atrás.

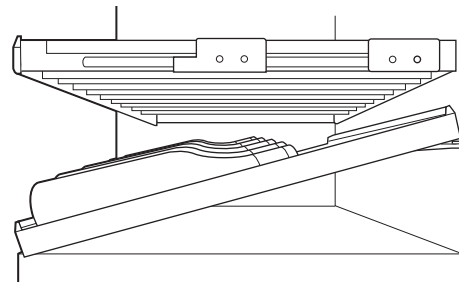


### Estante de Exhibición de Vinos

El estante de exhibición de vinos puede estar en posición horizontal o en ángulo. En la posición horizontal puede haber hasta 18 botellas. En la posición en ángulo puede haber hasta 5 botellas. El estante se puede angular levantando el estante sobre los ganchos de la pared trasera.



Posición Angularada



Posición Angularada

### Consejos y sugerencias para guardar las botellas de vino

- Guarde aquellos vinos para el consumo diario en la mitad frontal de los cajones de extensión completa, de modo que las etiquetas estén totalmente visibles. Coloque los vinos de guarda o que guardará por períodos prolongados en la parte trasera.
- No permita que los niños se trepen, paren o cuelguen de los cajones de extensión completa con función de cava de vinos. Los niños podrán sufrir lesiones graves y posiblemente dañar la cava de vinos.
- Agrupe su inventario de vinos de acuerdo al tipo; es decir: los vinos blancos en las áreas más frías y los vinos tintos en las áreas más cálidas.
- Guarde los vinos tintos y blancos en áreas separadas, de modo que los pueda guardar a diferentes temperaturas.

# MODO SABÁTICO

## MODO SABÁTICO

Sabbath Mode (Modo Sabático) fue diseñado para el Día Sabático y Feriados. Esta función hace posible para aquellas personas de religión judía que siguen esta celebración refrigerar y congelar alimentos durante todo el feriado.

La función Sabbath Mode (Modo Sabático) se puede configurar para anular reacciones típicas ocasionadas por su interacción con el refrigerador. Mientras se encuentre en Sabbath Mode (Modo Sabático), su refrigerador continuará funcionando. Sin embargo, el refrigerador no responderá a sus acciones.

Mientras se encuentre en Sabbath Mode (Modo Sabático), es posible que observe que el ventilador está funcionando cuando se abre la puerta; sin embargo, esto no es el resultado de sus acciones. El ventilador funcionará en horarios predeterminados. El calentador de descongelación continuará descongelando el refrigerador y el freezer y será activado con un temporizador. El calentador de descongelación no descongelará como resultado de abrir la puerta o cualquier acción del consumidor.

**ON/OFF** (Encender/ Apagar) — Para activar Sabbath Mode (Modo Sabático), presione el botón **ALARM** (Alarma) y la tecla **(+)** en el panel de control durante 5 segundos. **SAB** aparecerá en el control. **SAB** permanecerá en la pantalla y la tecla **(+)** y el botón de la alarma permanecerán encendidos hasta que Sabbath Mode (Modo Sabático) sea desactivado. Los controles y luces no funcionan hasta que el botón **ALARM** (Alarma) y la tecla más **(+)** se mantengan presionados nuevamente durante 5 segundos.

**PANTALLAS, ALARMAS y LUCES** — Las pantallas del control principal de temperatura serán desactivadas; por lo tanto, no serán encendidas, sonará un tono u operarán cuando se las toque. Las alarmas y luces de la puerta serán desactivadas. Door alarms and lights will be disabled.

**ICEMAKER** (Máquina de Hacer Hielo) — La máquina de hacer hielo continuará funcionando. La máquina de hacer hielo podrá ser desactivada presionando la tecla **OFF** (Apagado) de la máquina de hacer hielo, antes del Día Sabático (consulte Máquina de Hacer Hielo Automática).

# CUIDADO Y LIMPIEZA

## LIMPIEZA EXTERIOR

**Manijas y bordes de la puerta** — Limpie con una tela húmeda con agua y jabón. Seque con una tela seca.

**Mantenga la parte exterior limpia.** Limpie con una tela limpia que esté ligeramente humedecida con detergente líquido suave para platos. Seque con una tela limpia y suave.

No limpie la unidad con una tela para platos o una toalla mojada sucias, ya que podrán dejar residuos que pueden dañar la terminación. No use estropajos, limpiadores en polvo, blanqueadores o limpiadores que contengan blanqueadores, ya que estos productos pueden rayar y dañar la terminación.

**Acero Inoxidable** — Las puertas y las manijas de las puertas de acero inoxidable (en algunos modelos) se pueden limpiar con un limpiador de acero inoxidable disponible comercialmente. Los limpiadores con ácido oxálico tales como Bar Keepers Friend Soft Cleanser™ eliminarán el óxido, deslustres y pequeñas manchas sobre la superficie. Use sólo un limpiador líquido libre de material abrasivo y frote en la dirección de las líneas del cepillo con una esponja suave y húmeda. No use cera para electrodomésticos ni pula sobre el acero inoxidable.

**Paneles de Madera a Medida** - comuníquese con su proveedor de paneles a medida para recibir instrucciones sobre cuidado y limpieza.

## LIMPIEZA INTERIOR

**Apague el interruptor desde el disyuntor o caja de fusible antes de realizar la limpieza.** Si esto no resulta práctico, estruje el exceso de humedad para eliminarlo de la esponja o tela al limpiar alrededor de los interruptores, luces o controles.

Use agua caliente y solución de bicarbonato de sodio — aproximadamente una cucharada sopera (15 ml) de bicarbonato de sodio para un cuarto de galón (1 litro) de agua. Esto limpia y neutraliza los olores. Enjuague y seque totalmente.

Si esto no resulta práctico, elimine el exceso de humedad de la esponja o tela al limpiar alrededor de los interruptores, luces o controles.

**Otras partes del refrigerador** — incluyendo juntas de la puerta, cajón de verduras, estantes para guardar hielo y todas las piezas de plástico – se pueden limpiar de la misma forma. Luego de limpiar las juntas de la puerta, aplique una capa fina de vaselina a las juntas de la puerta del lado de las bisagras. Esto ayuda a evitar que las juntas se peguen o pierdan su forma debido a una inclinación hacia afuera.

### ⚠ PRECAUCIÓN

No limpie estantes de vidrio ni tapas con agua caliente cuando estén fríos. Los estantes de vidrio y las tapas se pueden romper si son expuestos a cambios de temperatura repentinos o impactos tales como sacudones o caídas. El vidrio templado está diseñado para destruirse en pequeñas piezas en caso de rotura.

No lave ninguna parte plástica en la lavadora de platos.

## PREPARACIÓN PARA LAS VACACIONES

Si estará de vacaciones o ausente por tiempo prolongado, retire la comida de la unidad. Ajuste la temperatura hacia arriba (+) hasta que la unidad se apague. Limpie el interior con una solución de bicarbonato de sodio de una cucharada sopera (15 ml) de bicarbonato de sodio para un cuarto de galón (1 litro) de agua. Deje la puerta abierta.

**Si se trata de vacaciones cortas**, retire los alimentos perecederos y deje el control en la configuración regular. Sin embargo, si se espera que la temperatura ambiente se sea inferior a 60°F (16°C), siga las mismas instrucciones que seguiría si se tratara de vacaciones prolongadas.

Apague la máquina de hacer hielo y cierre el suministro de agua del freezer.

## REEMPLAZO DE LA LUZ INTERNA

**No intente reemplazar una luz LED quemada.**

Será necesario que un técnico autorizado reemplace las luces LED.

# PREPARACIÓN

## UBICACIÓN DEL REFRIGERADOR

No instale el refrigerador donde las temperaturas sean inferiores a 60°F (16°C), ya que no se mantendrá en funcionamiento el tiempo suficiente para conservar las temperaturas adecuadas.

No instale el refrigerador donde la temperatura sea superior a los 100°F (37°C), ya que no funcionará de forma correcta.

No instale el refrigerador en una ubicación expuesta al agua (lluvia, etc.) o en contacto directo con la luz solar.

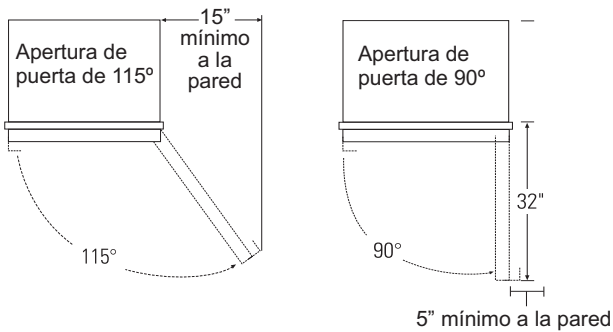
Instale el refrigerador en un piso lo suficientemente fuerte como para soportarlo completamente cargado.

---

## ESPACIOS LIBRES

Permita que haya un espacio libre de un mínimo de 15" entre la puerta y la pared para un giro de puerta completo de 115°.

Permita que haya un espacio libre mínimo de 5" hasta una pared para un giro de puerta de 90° si se trata de modelos de Acero Inoxidable Monogram (Europeos).



# SOLUCIÓN DE PROBLEMAS

¡Ahorre tiempo y dinero! Primero revise los cuadros que aparecen en las siguientes páginas y es posible que no necesite solicitar reparaciones

Problema	Causa Posible
<b>El sistema de refrigeración no funciona</b>	Puede estar en el ciclo de descongelamiento, donde el sistema de refrigeración no funciona por unos 45 minutos.
	El control de temperatura se encuentra en la posición <b>OFF</b> (Apagado).
	Si la luz interna no está encendida, es posible que el refrigerador no esté enchufado al tomacorriente.
	Se quemó el fusible/ el disyuntor está desactivado. Reemplace el fusible o reinicie el disyuntor.
	Apague la función Sabbath Mode (Modo Sabático).
	Si en el panel de control aparece <b>SHO</b> , entonces se activó el modo de sala de exposición. Para apagarla, mantenga presionado el botón <b>ALARM</b> (Alarma) y la tecla (-) simultáneamente durante 5 segundos.
<b>De forma frecuente el sistema de refrigeración funciona durante períodos o ciclos prolongados</b>  (Los refrigeradores y freezers modernos con mayor espacio de almacenamiento y un freezer más grande requieren más tiempo de funcionamiento. Se activan y se detienen con frecuencia para mantener temperaturas parejas).	Normal cuando el refrigerador se enchufa por primera vez. Espere 24 horas para que el refrigerador se enfríe totalmente.
	Sucede con frecuencia cuando se colocan grandes cantidades de comida en el refrigerador. Esto es normal.
	Se dejó la puerta abierta o un paquete hace que la puerta quede abierta.
	Agua caliente o se abre la puerta con frecuencia. Esto es normal.
	Control de temperatura configurado en la posición más fría. Observe el Control de Temperatura
<b>Vibración normal o ruidosa (una vibración leve es normal).</b>	Es posible que el refrigerador no esté correctamente instalado. – Es posible que el soporte anti-volcaduras esté suelto. – Es posible que la unidad no esté nivelada.
<b>Ruido seco al cerrar la puerta</b>	Se trata de un ruido normal en el funcionamiento.
	Cerrar la puerta lentamente minimizará el sonido.
<b>Ruidos de funcionamiento</b>	El compresor de velocidad variable.
	Flujo de aire normal del ventilador – múltiples ventiladores soplan aire frío a través de los compartimientos de alimentos frescos y del freezer; otros ventiladores enfrían el compresor.
	Los ventiladores cambian de velocidad a fin de proveer un enfriamiento óptimo y ahorros de energía.
	Estos sonidos NORMALES también se escucharán de vez en cuando: – Es posible que se escuchen zumbidos o gorgoteos al cerrar la puerta. – Esto se debe al equilibrio de la presión dentro del refrigerador. – Es posible que se escuche un sonido de goteo durante el ciclo de descongelación, a medida que el hielo se derrite desde el evaporador y fluye hasta la olla de drenaj. – Es posible que el flujo de refrigerante a través de los espirales de enfriamiento del freezer produzca un gorgoteo similar a agua hirviendo. – El agua que cae sobre el calentador de descongelamiento puede producir un chisporroteo, traqueteo o zumbido durante el ciclo de descongelamiento. – Es posible que escuche un craqueo o traqueteo cuando el refrigerador sea enchufado por primera vez en o durante/ luego del ciclo de descongelamiento. Esto sucede a medida que el refrigerador se enfría hasta la temperatura correcta. – El compresor puede ocasionar un chasquido o gorjeo al intentar reiniciarse (esto puede tomar hasta 5 minutos). – El tablero de control electrónico puede ocasionar un chasquido cuando los relés se activan para controlar los componentes del refrigerador. – Cubos de hielo que caen en la hielera y agua que corre por las tuberías mientras la máquina de hacer hielo se vuelve a llenar. – La válvula de agua de la máquina de hacer hielo zumbará cuando esta última se llene de agua.



# SOLUCIÓN DE PROBLEMAS

Problema	Causa Posible
La puerta no cierra correctamente	Es posible que un paquete o una botella mantengan la puerta abierta.
	Controle la junta de la puerta; es posible que esté fuera de posición.
	El refrigerador no está nivelado. Consulte las Instrucciones de Instalación.
	Los resortes de las bisagras están desactivados. Consulte las Instrucciones de Instalación.
El refrigerador está demasiado caliente	El control de temperatura no se configuró en un nivel lo suficientemente frío. Observe el Control de Temperatura.
	Agua caliente o se abre la puerta con frecuencia.
	La puerta se deja abierta durante demasiado tiempo.
	Es posible que un paquete mantenga la puerta abierta.
La temperatura actual no es equivalente a la temperatura configurada	Se acaba de enchufar el refrigerador. Espere 24 horas hasta que el sistema se estabilice.
	La puerta se mantuvo abierta durante demasiado tiempo. Espere 24 horas hasta que el sistema se estabilice.
	Se agregó comida caliente al refrigerador. Espere 24 horas hasta que el sistema se estabilice.
	El ciclo de descongelamiento está en proceso. Espere 24 horas hasta que el sistema se estabilice.
Cristales de hielo o escarcha en alimentos congelados (La escarcha dentro de paqueteses normal)	Se dejó el cajón abierto o un paquete hace que la puerta quede abierta.
	Se abre la puerta de forma muy frecuente o por períodos demasiado largos.
	Es posible que el cajón se haya dejado abierto.
	Es posible que hayan quedado cubos de hielo u algún otro objeto atorado detrás del cajón.
Congelamiento lento de cubos de hielo	Es posible que el cajón se haya dejado abierto.
	Configure el control de temperatura en una posición más fría.
	Es posible que un paquete mantenga el cajón abierto.
Los cubos de hielo poseen olor/ gusto	Es necesario descartar los cubos de hielo viejos.
	Los recipientes para almacenamiento de hielo se deberán vaciar y lavar.
	Es posible que los paquetes que no estén sellados dentro del freezer transmitan olor/ gusto a los cubos de hielo.
	Es necesario limpiar el interior del freezer. Consulte la sección de Cuidado y Limpieza.
	El agua que ingresa posee un gusto no agradable. Cambie el filtro de agua.
La máquina de hacer hielo automática no funciona	La máquina de hacer hielo está apagada.
	El suministro de agua está apagado o no está conectado.
	El freezer está demasiado caliente.
	Los cubos apilados en el recipiente pueden hacer que la máquina de hacer hielo se apague demasiado rápido. Nivele los cubos en forma manual.
	El recipiente para hielo no se encuentra en su posición.
	Filtro con agua obstruida.
	Sistema de Ósmosis Inversa instalado.
Se forma humedad en la parte exterior del refrigerador	No es atípico durante períodos con altos niveles de humedad. Seque la superficie.
	Encienda la función External Moisture Control (Control de Humedad Exterior).
Se acumula humedad en la parte interior	Se abre la puerta de forma muy frecuente o por períodos demasiado largos.
	En climas húmedos, el aire transporta humedad al refrigerador cuando las puertas se abren.
	El cajón inferior se cambió desde el freezer para enfriar o para el vino.
El refrigerador tiene olor	Las comidas con olores Fuertes se deberán cubrir de forma hermética.
	Controle que la comida no se haya echado a perder.
Las luces internas no funcionan	No hay corriente en el tomacorriente.
	Es necesario reemplazar las luces LED. Consulte la Sección de Servicio al Cliente.
Es difícil volver a abrir la puerta de inmediatamente luego de cerrar la misma	El sellado hermético de la puerta se debe al equilibrio de la presión dentro del refrigerador. Luego de cerrar la puerta, espere entre 5 y 30 segundos para volver a abrirla.

# FICHA TÉCNICA DE FUNCIONAMIENTO – Modelo: XWFE

- Sistema certificado por IAPMO R&T contra los Estándares 42, 53, 401, P473 de NSF/ANSI para la reducción de demandas especificadas en la ficha técnica de rendimiento y en iapmort.org.
- El rendimiento real podrá variar en relación a las condiciones locales del agua.

Sustancia Evaluada para la Reducción	Concentración del peligro de intrusión (mg/L)	Concentración de aguas máximas permitidas sobre el producto (mg/L)	% Promedio de Reducción
Gusto y Olor a Cloro	2.0 mg/L +/- 10%	N/A	96.9
Gusto y Olor a Cloramina	3.0 mg/L +/- 10%	0.5	96.9
Partícula, Clase I	Por lo menos 10,000 partículas/mL	N/A	91.4
Partícula, Clase I	50,000/L	N/A	>99.99
Plomo	0.15	0.01	98.85
Mercurio	0.006	0.002	96.3
Mercurio	107 to 108 fibras/ L	N/A	>99
Toxafeno	0.015 +/- 10%	0.003	86.95
VOC (químico sustituto del cloroformo)	0.300	0.015	99.7
Alacloro	0.050	0.001	> 98
Atrazina	0.100	0.003	> 97
Benceno	0.081	0.001	> 99
Carbofurano	0.190	0.001	> 99
Tetracloruro de carbono	0.078	0.0018	98
Clorobenceno	0.077	0.001	> 99
Cloropincrina	0.015	0.0002	99
2,4-D	0.110	0.0017	98
Dibromocloropropano (DBCP)	0.052	0.00002	> 99
o-Diclorobenceno	0.08	0.001	> 99
P-Diclorobenceno	0.040	0.001	> 98
1,2-dicloroetano	0.088	0.0048	95
1,2-dicloroetano	0.083	0.001	> 99
Cis-1,2-dicloroetileno	0.170	0.0005	> 99
Trans-1,2-dicloroetileno	0.086	0.001	> 99
1,2-dicloropropano	0.080	0.001	> 99
cis-1,3-dicloropropileno	0.079	0.001	> 99
Dinoseb	0.170	0.0002	99
Endrina	0.053	0.00059	99
Etilbenceno	0.088	0.001	> 99
Dibromuro de etileno (EDB)	0.044	0.00002	> 99
Bromocloroacetnitrilo	0.022	0.0005	98
Dibromoacetnitrilo	0.024	0.0006	98
dichloroacetnitrilo	0.0096	0.0002	98
Dicloroacetnitrilo	0.015	0.0003	98
1,2-dicloro-2-propanona	0.0072	0.0001	99
1,1,1-tricloro-2-propanona	0.0082	0.0003	96
Heptacloro (H-34, Heptox)	0.025	0.00001	>99
Epóxido de heptacloro	0.0107	0.0002	98
Hexaclorociclopentadieno	0.044	0.001	> 98
Hexaclorociclopentadieno	0.060	0.000002	> 99
Lindano	0.055	0.00001	> 99
Metoxicloro	0.050	0.0001	> 99
Pentaclorofenol	0.096	0.001	> 99
Simazina	0.120	0.004	> 97
Tetracloroetileno	0.150	0.0005	> 99
1,1,2,2-Tetracloroetileno	0.081	0.001	> 99
Tetracloroetileno	0.081	0.001	> 99
Tolueno	0.078	0.001	> 99
2,4,5-TP (silvex)	0.270	0.0016	99
Ácido tribromoacético	0.042	0.001	> 98
1,2,4-Triclorobenceno	0.160	0.0005	> 99
1,1,1-tricloroetano	0.084	0.0046	95
1,1,2-tricloroetano	0.150	0.0005	> 99
Tricloroetileno	0.180	0.0010	> 99
Bromoformo	0.300	0.015	95
Bromodichlorometano	0.300	0.015	95
clorodibromometano	0.300	0.015	95
Xileno	0.070	0.001	>99
Meprobamato	400 +/- 20%	60	95.5
Atenolol	200 +/- 20%	30	95.9
carbamazepina	1400 +/- 20%	200	98.6
DEET	1400 +/- 20%	200	98.6
Metolacoloro	1400 +/- 20%	200	98.7
Trimetoprima	140 +/- 20%	20	96.1
Linuron	140 +/- 20%	20	96.6
TCEP	5000 +/- 20%	700	98.1
TCEP	5000 +/- 20%	700	98.1
Fenitoína	200 +/- 20%	30	96
Naproxeno	400 +/- 20%	60	95.9
Naproxeno	140 +/- 20%	20	96.5
Estrona	140 +/- 20%	20	97.1
Bisfenol A	2000 +/- 20%	300	99.1
Nonyl phenol	1400 +/- 20%	200	97.3
PFOA/PFOS	1.5 mg/L +/- 10%	0.07	99.25

## Pautas de Aplicación/ Parámetros de Suministro de Agua

Flujo de Servicio	0.5 gpm (1.89 lpm)
Suministro de Agua	Agua Potable
Presión del Agua	25-120 psi (172-827 kPa)
Temperatura del agua	33°F-100°F (0.6°C-38°C)
Capacidad	170 galones (643.5 litros)

Es esencial que se cumpla con los requisitos de instalación, mantenimiento y reemplazo de filtros recomendados por el fabricante, a fin de que el producto funcione de acuerdo a como fue promocionado. Para acceder a información sobre la Garantía, consulte el Manual de Instalación.

**NOTA:** Observe que aunque la evaluación se realizó de acuerdo con condiciones estándares de laboratorio, el desempeño puede variar Reemplazo del Cartucho: XWFE. Para conocer costos estimados de elementos de reemplazo, visite nuestro sitio Web en [geappliancesparts.com](http://geappliancesparts.com).

**ADVERTENCIA** A fin de reducir el riesgo asociado con la ingestión de contaminantes:

- No se deben usar con agua que no sea microbiológicamente segura o de calidad desconocida sin una desinfección adecuada, antes o después, del sistema. Los sistemas certificados para la reducción de quistes se podrían usar en aguas desinfectadas que puedan contener quistes filtrables.

## AVISO

A fin de reducir el riesgo de pérdidas de agua o inundación, y para asegurar un rendimiento óptimo del filtro:

- Lea y siga las Instrucciones de uso antes de la instalación y uso de este sistema.
- La instalación y uso DEBERÁN cumplir con todos los códigos estatales y locales de plomería.
- No se deberá instalar si la presión del agua supera los 120 psi (827 kPa). Si la presión del agua es superior a los 80 psi (552 kPa), deberá instalar una válvula limitadora de presión. Si no está seguro sobre cómo controlar la presión del agua, comuníquese con un plomero profesional.
- No instale cuando se puedan producir condiciones de golpe de ariete. Si existen condiciones de golpe de ariete, deberá instalar un suspensor de golpes de ariete.
- Si no está seguro sobre cómo controlar esta condición, comuníquese con un plomero profesional.
- No instale en líneas de suministro de agua caliente. La temperatura máxima de funcionamiento del agua para este sistema de filtro es de 100°F (37.8°C).
- Proteja el filtro de heladas. Drene el filtro cuando las temperaturas sean inferiores a 33°F (0.6°C).
- Cambie el cartucho del filtro descartable cada seis meses o antes, si observa una reducción notoria en el promedio del flujo de agua.
- Si no se reemplaza el cartucho del filtro descartable en intervalos recomendados, se podrá producir un rendimiento inferior del filtro y quebraduras en el espacio de colocación del filtro, ocasionando pérdidas de agua o inundación.
- Este sistema fue evaluado de acuerdo con NSF/ANSI 42, 53, 401 y P473 para la reducción de las sustancias que figuran a continuación. La concentración de las sustancias indicadas en agua que ingresa al sistema fue reducida a una concentración inferior o igual al límite permitido de agua que deja el sistema, de acuerdo con lo especificado en NSF/ANSI 42, 53, 401 y P473.



Sistema XWFE certificado por IAPMO R&T contra los Estándares 42, 53, 401 y P473 de NSF/ANSI para la reducción de demandas especificadas en la ficha técnica de rendimiento en iapmort.org.

# GARANTÍA LIMITADA DE MONOGRAM

## Monogram.com

Todo el servicio de garantía es provisto por nuestros Centros de Servicio de Fábrica, o por un técnico autorizado de Customer Care® (Servicio al Cliente). Para programar el servicio a través de Internet, visítenos en [monogram.com/contact](http://monogram.com/contact). En Canadá, visite [monogram.ca](http://monogram.ca).

Para realizar el servicio técnico de su refrigerador se podrá requerir el uso de datos del puerto de abordaje para su diagnóstico. Esto da al técnico del Servicio de Fábrica de Monogram la habilidad de diagnosticar de forma rápida cualquier problema con su electrodoméstico, y de ayudar a Monogram a mejorar sus productos al brindarle a Monogram la información sobre su electrodoméstico. Si no desea que los datos de su electrodoméstico sean enviados a Monogram, solicitamos que le indique a su técnico NO entregar los datos a Monogram en el momento del servicio.

Por el Período de	Monogram Appliances reemplazará :
<b>Garantía limitada por dos años</b>	Por dos años desde la fecha original de compra, le brindaremos, sin costo, piezas y trabajos del servicio técnico en su hogar para la reparación o reemplazo de cualquier pieza del refrigerador o del freezer que presente fallas debido a defectos de fabricación.
<b>Garantía limitada por cinco años</b>	Por cinco años desde la fecha original de compra, le brindaremos, sin costo, piezas y trabajos del servicio técnico en su hogar para la reparación o reemplazo de cualquier pieza del sistema de refrigeración sellado (el compresor, condensador, evaporador y todas las tuberías de conexión) que presente fallas debido a defectos de fabricación.
<b>Garantía limitada adicional del sexto al doceavo año sobre el sistema de sellado</b>	Desde el sexto al doceavo año desde la fecha original de compra, le brindaremos, sin costo, el reemplazo de partes de cualquier pieza del sistema de refrigeración sellado (el compresor, condensador, evaporador y todas las tuberías de conexión) que presenten fallas debido a defectos de fabricación. Usted paga por el viaje del profesional del servicio técnico a su hogar y por los costos del trabajo del servicio técnico.
<b>Garantía limitada de treinta días del cartucho del filtro de agua (filtro de agua, si se incluye)</b>	Desde la fecha de compra original le brindaremos, sin costo, el reemplazo de partes de cualquier pieza del cartucho del filtro de agua que falle debido a defectos de fabricación. Durante la garantía limitada de treinta días, también le brindaremos, sin costo, el reemplazo de un cartucho del filtro de agua.

## Qué no cubrirá Monogram :

- Viajes del técnico del servicio a su hogar para enseñarle sobre cómo usar el producto.
- Reemplazo de fusibles en el hogar o reinicio de disyuntores.
- Daños ocasionados sobre el producto por accidente, incendio, inundaciones o catástrofes naturales.
- Fallas del producto si su uso es para propósitos diferentes al original o uso comercial.
- Daño causado después de la entrega.
- Instalación, entrega o mantenimiento inadecuados. Si tiene un problema con la instalación, comuníquese con su vendedor o instalador. Usted es responsable de brindar instalaciones adecuadas de conexión eléctrica, plomería u otras instalaciones de conexión.
- Reemplazo de bombillas de luz, si se incluyen, o el cartucho del filtro de agua, si se incluye, a diferencia de lo detallado anteriormente.
- Reemplazo del cartucho del filtro de agua, si se incluye, debido a la presión del agua que está fuera del rango de funcionamiento específico o debido a exceso de sedimentos en el suministro de agua.
- Pérdida de comida debido a descomposición (en EE.UU. únicamente).
- Daños consecuentes o incidentales causados por posibles defectos sobre este electrodoméstico.
- Producto no accesible para que se brinde el servicio requerido.
- Daños sobre el acabado, tales como óxido sobre la superficie, deslustres o manchas pequeñas no informadas dentro de las 48 horas luego de la entrega.

**EXCLUSIÓN DE GARANTÍAS IMPLÍCITAS — Su única y exclusiva alternativa es la reparación del producto, como se indica en esta Garantía Limitada. Las garantías implícitas, incluyendo garantías implícitas de comerciabilidad o conveniencia sobre un propósito particular, se limitan a un año o al período más corto permitido por la ley.**

Algunos estados/ provincias no permiten la exclusión o limitación de daños incidentales o consecuentes, de modo que es posible que dicha limitación o exclusión no se aplique en su caso. Esta garantía le da derechos legales específicos, y es posible que usted tenga otros derechos que varían entre un estado y otro, o entre una provincia y otra. Para conocer cuáles son sus derechos legales en su estado/ provincia, consulte a la oficina de asuntos del consumidor local o estatal o al Fiscal de su Estado.

**Garante en EE.UU.: GE Appliances, a Haier company, Louisville, KY 40225**

**Garante en Canadá: MC Commercial, Burlington, ON, L7R 5B6**

Staple your receipt here. Proof of the original purchase date is needed to obtain service under the warranty.

