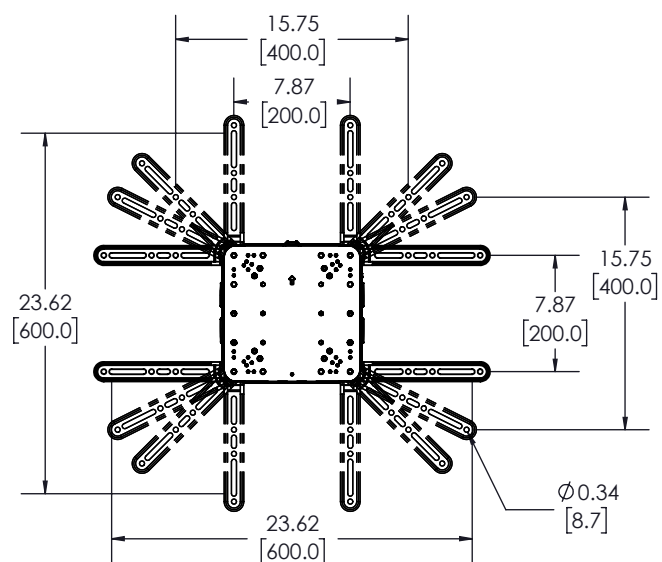


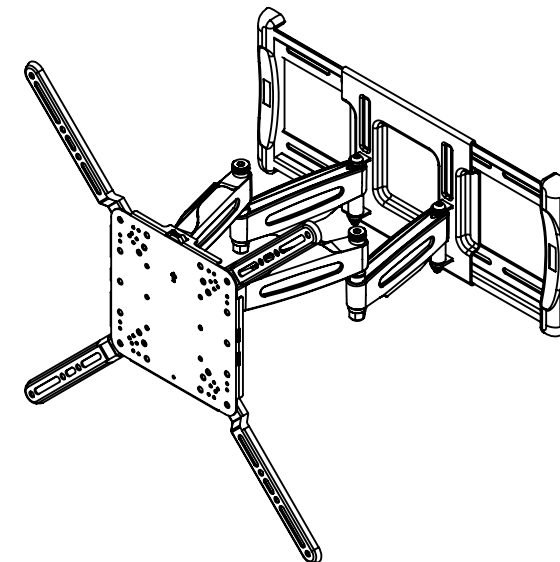
TV INTERFACE



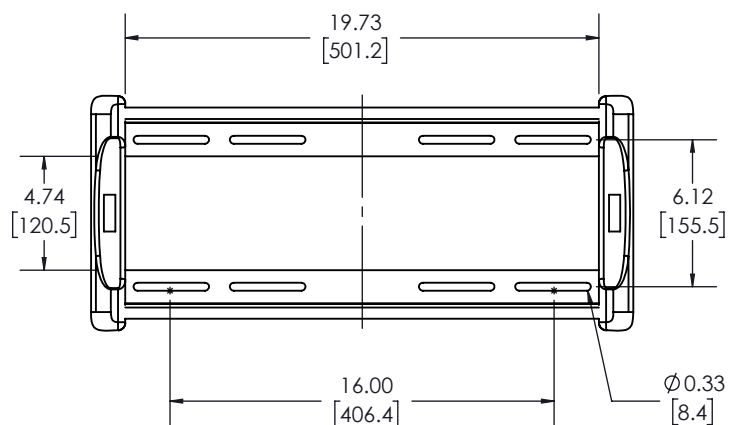
LARGE FULL MOTION, 18" 6805-002272

THE INFORMATION AND DESIGNS CONTAINED IN THIS DRAWING ARE CONFIDENTIAL AND THE PROPRIETARY PROPERTY OF MILESTONE AV TECHNOLOGIES NEITHER THIS DESIGN NOR ANY INFORMATION CONTAINED IN THIS DRAWING MAY BE REPRODUCED OR DISCLOSED TO OTHERS WITHOUT THE EXPRESS WRITTEN CONSENT OF MILESTONE AV TECHNOLOGIES. 本图纸所包含的信息和设计均系Milestone机密和知识产权，本图纸包含的设计和信息的在未经Milestone允许情况下均不得复制或泄露

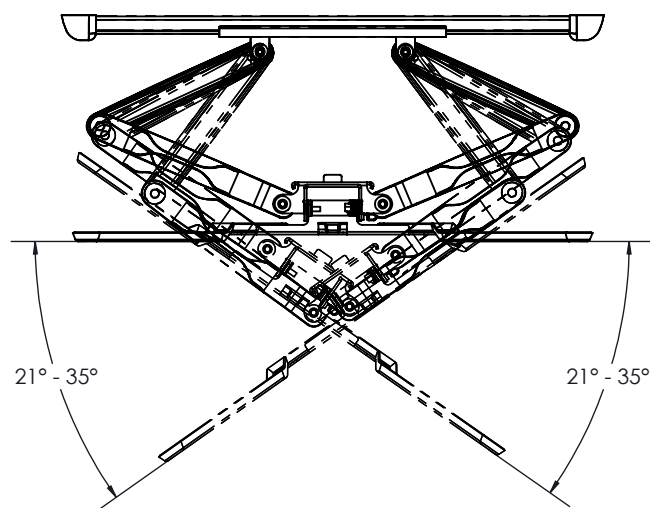
3-D



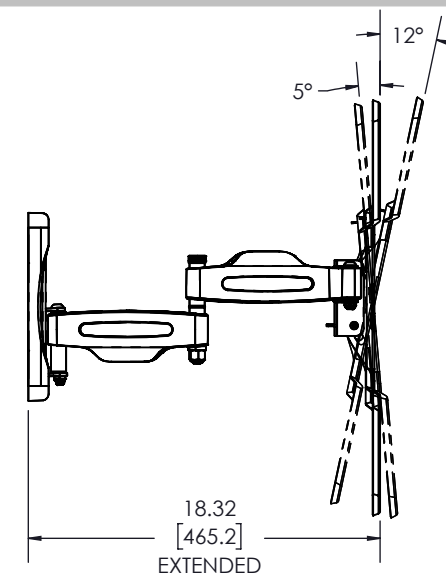
WALL PLATE



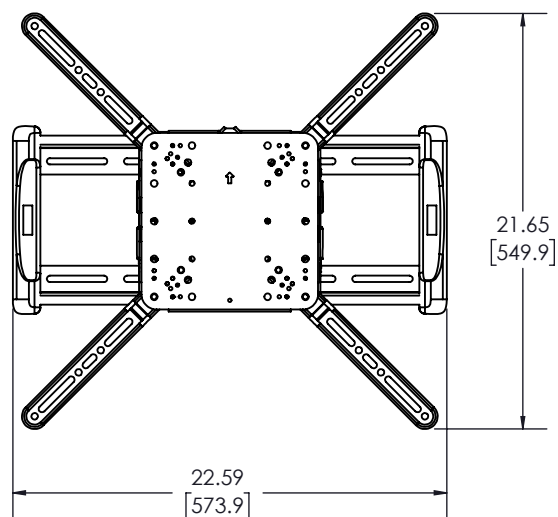
TOP VIEW - EXTENDED



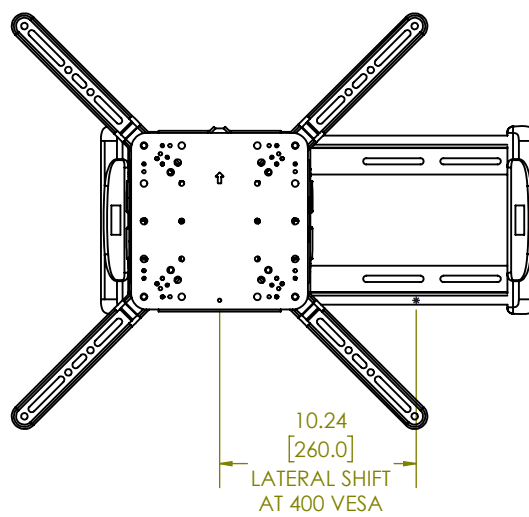
SIDE VIEW - EXTENDED



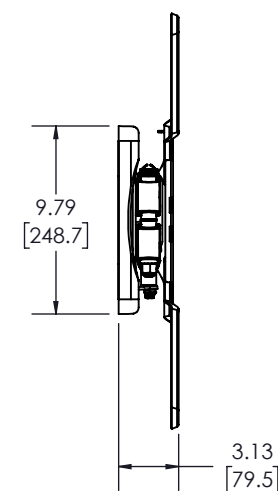
FULLY ASSEMBLED MOUNT



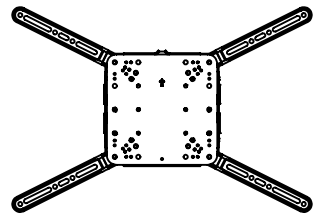
LATERAL SHIFT



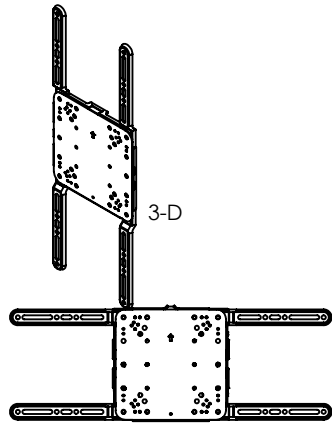
SIDE VIEW - RETRACTED



TV INTERFACE



MAX

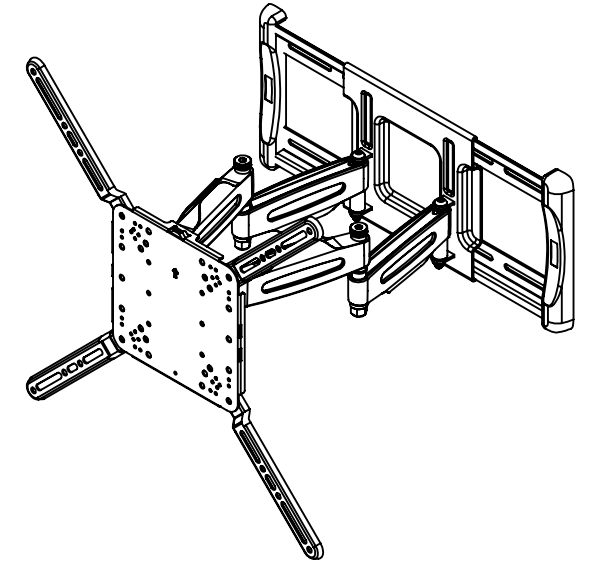


MIN

3-D

NOT FOR WEB USE!!

3-D



3-D, EXTENDED, INTERFACE MID POSITION

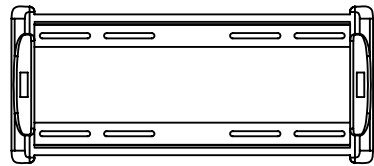
WALL PLATE



3-D

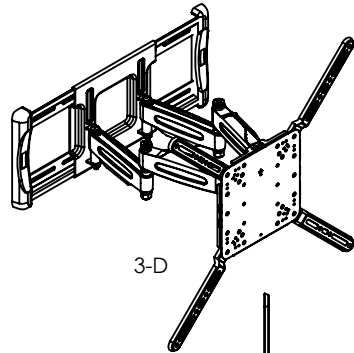


LEFT



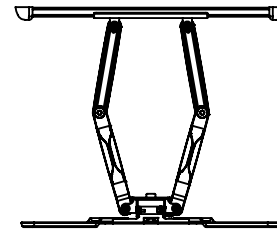
FRONT

EXTENDED

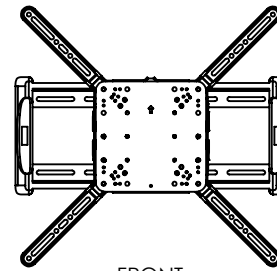


3-D

LEFT

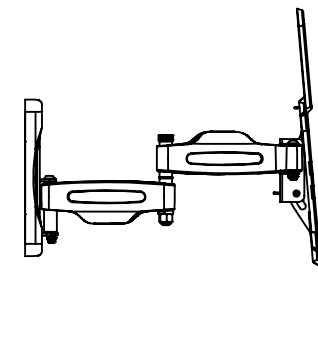


TOP

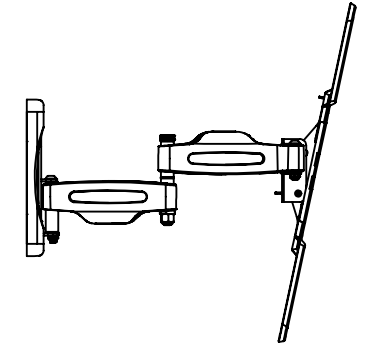


FRONT

TILT

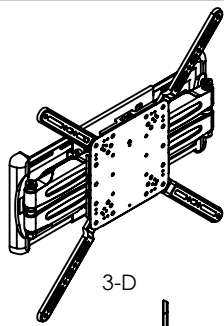


EXTENDED TILT UP



EXTENDED TILT DOWN

RETRACTED



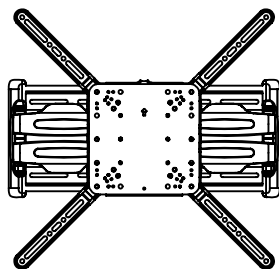
3-D



LEFT

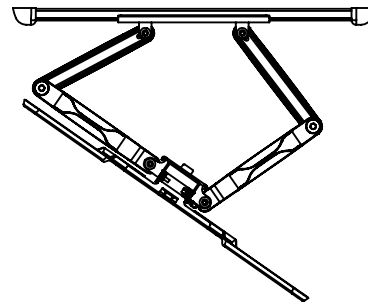


TOP

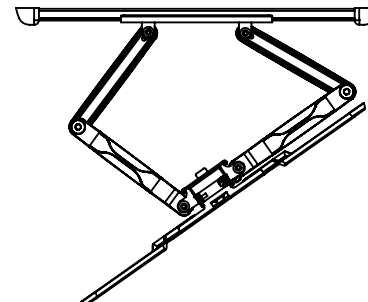


FRONT

SWIVEL



TOP SWIVEL LEFT



TOP SWIVEL RIGHT

3-D EXPLODED IN-BOX

