

# FULGOR

MILANO

A close-up, black and white photograph of a stainless steel stove control panel. The image shows three large, cylindrical knobs with a brushed metal finish. Each knob has a small, square, grid-like icon above it. The knobs are arranged in a row, and the focus is sharp on the first knob on the left, which has 'OFF' and 'LO' markings. The background is slightly blurred, showing more of the stove's surface and another knob.

# SOFIA

ENDLESS PASSION FOR COOKING

## PRO-RANGE 30" - 36" - 48" DUAL FUEL



USE & CARE MANUAL

GUIDE D'UTILISATION ET D'ENTRETIEN

MANUAL DE USO Y CUIDADO



*Dear Customer,*

*Thank you for purchasing one of our Sofia ranges. This range was conceived, designed and handcrafted in Italy.*

*Your selection of a Sofia range confirms you are among a special group who share a love and passion for cooking. This unique community shares in the experience of creating quality dishes; dishes that will satisfy the palate while bringing the warmth of families and friends together to share and rejoice. Impress a loved one with your ability to combine flavours and ingredients or experiment with new foods and different culinary techniques to create unexpected pleasures.*

*Gianni Alessandretti*



**Pay attention to these symbols present in this manual:**

**⚠ WARNING**

- This is the safety alert symbol. This symbol alerts you to potential hazards that can kill or hurt you and others.
- You can be killed or seriously injured if you don't follow these instructions.

**READ AND SAVE THESE INSTRUCTIONS.**

**⚠ WARNING**

**If the information in this manual is not followed exactly, a fire or explosion may result causing property damage, personal injury or death.**

**- Do not store or use gasoline or other flammable vapors and liquids in the vicinity of this or any other appliance.**

**- WHAT TO DO IF YOU SMELL GAS**

- **Do not try to light any appliance.**
- **Do not touch any electrical switch.**
- **Do not use any phone in your building.**
- **Immediately call your gas supplier from a neighbor's phone. Follow the gas supplier's instructions.**
- **If you cannot reach your gas supplier, call the fire department.**

**- Installation and service must be performed by a qualified installer, service agency or the gas supplier.**

**IMPORTANT:** Save these instructions for the local electrical inspector use.

**INSTALLER:** Please leave this manual with owner for future reference.

**OWNER:** Please keep this manual for future reference.

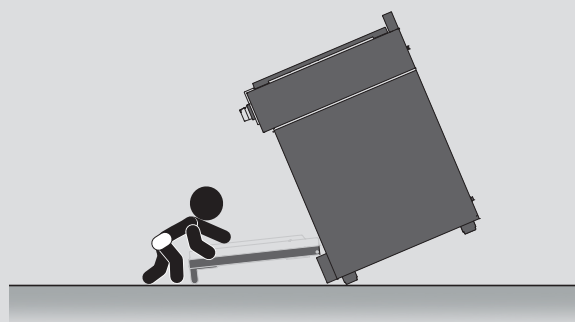
**⚠ WARNING**

**Tip Over Hazard**

A child or adult can tip the range and be killed. Ensure the anti-tip bracket is engaged when the range is moved.

Do not operate range without anti-tip bracket installed and engaged.

Failure to follow these instructions can result in death or serious burns to children and adults.



To verify the anti-tip bracket is installed and engaged:

- Slide range forward.
- Look for the anti-tip bracket securely attached to floor or wall.
- Slide range back so rear range foot is under anti-tip bracket.
- See installation instructions for details.

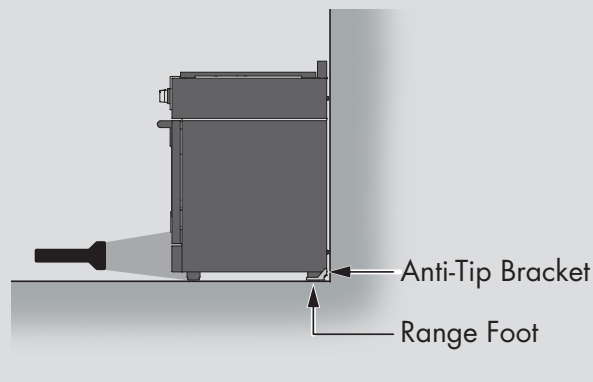


TABLE OF CONTENTS	PAGE
<b>1 - Safety Precautions</b>	<b>3</b>
<b>2 - Safety Instructions</b>	<b>5</b>
Safety for the Self-Cleaning Oven	5
Warnings for Gas and Electric Installation	5
<b>3 - Features of your Oven</b>	<b>6</b>
<b>4 - The Control Panels</b>	<b>8</b>
Command Keys	8
Display	8
Knobs	8
<b>5 - Oven Modes</b>	<b>9</b>
<b>6 - General Oven Information</b>	<b>10</b>
<b>7 - General Oven Tips</b>	<b>11</b>
Oven Racks	11
Oven Telescopic Racks	12
<b>8 - Setting the Clock and Timer</b>	<b>13</b>
To Set the Time of Day	13
To Set the Timer	13
<b>9 - Selecting the Oven Mode</b>	<b>14</b>
Setting Cooking Mode and Temperature	14
Using menù key to select low temperature functions	14
Using Oven Lights	14
<b>10 - Timed Oven Mode Operation</b>	<b>15</b>
To Set a Timed Mode	15
To Delay the Start of a Timed Mode	15
When a Timed Mode is running	15
How to check a time value	15
<b>11 - Setting the Meat Probe Options</b>	<b>16</b>
<b>12 - Bake Tips and Techniques</b>	<b>17</b>
General Guidelines	17
<b>13 - Convection Bake Tips and Techniques</b>	<b>18</b>
Convection Bake Chart	19
<b>14 - Convection Roast Tips and Techniques</b>	<b>20</b>
Convection Roast Chart - CONVECTION CAVITY	20
<b>15 - Convection Broil Tips and Techniques</b>	<b>22</b>
Convection Broil Chart - CONVECTION CAVITY	22
<b>16 - Dehydrate Tips and Techniques</b>	<b>23</b>
Dehydrate Chart	23
<b>17 - Broil Tips and Techniques</b>	<b>24</b>
Broil Chart	24
Food Service Temperature Guidelines from FSIS (USDA food Safety & Inspection Service)	24

TABLE OF CONTENTS	PAGE
<b>18 - Solving Baking Problems</b>	<b>25</b>
<b>19 - Special Features</b>	<b>26</b>
<b>20 - Sabbath Mode Instruction</b>	<b>27</b>
<b>21 - Oven Care and Cleaning</b>	<b>28</b>
Self-Cleaning the Oven	28
Preparing the Oven for Self-Clean	28
<b>22 - Setting the Self-Clean Mode</b>	<b>29</b>
To Set the Self-Clean Mode	29
To Change the Cleaning Time	29
To Delay the Start of Cleaning	29
<b>23 - Do-it-Yourself Maintenance Oven Door Removal</b>	<b>30</b>
To Remove Door	30
To Replace Door	30
<b>24 - Replacing an Oven Light</b>	<b>31</b>
To Replace a Light Bulb	31
<b>25 - Features of your Cooktop</b>	<b>32</b>
<b>26 - Gas Cooktop Burner Operation</b>	<b>35</b>
Gas Control Knob Setting	35
Gas burners	35
Burners with two flame rings	35
Super Sealed Surface Burners	36
<b>27 - Gas Cooktop Griddle Operation</b>	<b>37</b>
Griddle	37
Seasoning the griddle	37
Griddle operation	37
Griddle care	37
Electric gas ignition	37
Cooking Tips	38
Griddle Cooking Chart	38
<b>28 - Minute minder</b>	<b>39</b>
<b>29 - Cookware</b>	<b>40</b>
Cookware Characteristics	40
Match Pan Diameter to Flame Size	40
<b>30 - General Oven Care</b>	<b>41</b>
How to Use the Oven Cleaning Chart	41
Cleaning Chart	41
<b>31 - Oven Finishes / Cleaning Methods</b>	<b>42</b>
<b>32 - Cleaning the Cooktop</b>	<b>43</b>
Cooktop Part / Material Suggested Cleaners	44
<b>33 - Solving Operational Problems</b>	<b>46</b>
<b>34 - Assistance or Service</b>	<b>48</b>



## IMPORTANT INSTRUCTION

General Appliance and Range.  
Please read all instructions before using this appliance.



### WARNING

When properly cared for, your new range has been designed to be a safe, reliable appliance. **Read all instructions carefully before using this range. These precautions will reduce the risk of burns, electric shock, fire, and injury to yourself and others. When using kitchen appliances, basic safety precautions must be followed, including the following:**

This appliance must be properly installed and grounded by a qualified technician. Connect only to properly grounded outlet. See "Grounding Instructions" found in the Installation Instructions.

- This appliance should be serviced only by a qualified service technician. Contact the nearest authorized service center for examination, repair or adjustment.
- Do not repair or replace any part of the appliance unless specifically recommended. Refer service to an authorized servicer.
- Do not operate this appliance if it is not working properly or if it has been damaged, until an authorized servicer has examined it.
- Install or locate this appliance only in accordance with the Installation Instructions.
- Use this range only as intended by the manufacturer. If you have any questions, contact the manufacturer.
- Do not cover or block any openings on this appliance.
- Use this appliance only for its intended use as described in this manual. Do not use corrosive chemicals, vapors, or nonfood products in this appliance. This type of oven is specifically designed to heat or cook. It is not designed for industrial or laboratory use. The use of corrosive chemicals in heating or cleaning will damage the appliance.
- In the event that personal clothing or hair catches fire, **DROP AND ROLL IMMEDIATELY** to extinguish flames.



### WARNING

- In the event of a grease fire **SMOTHER FLAMES** with a close-fitting lid, cookie sheet, or other metal tray, then turn off the gas burner.
- **BE CAREFUL TO PREVENT BURNS.** If the flames do not go out immediately, **EVACUATE AND CALL THE FIRE DEPARTMENT.**
- Do not use water, including wet dishcloths or towels on grease fires. A violent steam explosion may result.
- **NEVER PICK UP A FLAMING PAN.** You may be burned.
- **ALWAYS** have a working **SMOKE DETECTOR** near the kitchen.
- **LEAVE THE HOOD VENTILATOR ON** when flambéing food.
- Do not obstruct the flow of combustion air at the oven vent nor around the base or beneath the lower front panel of the range. Avoid touching the vent openings or nearby surfaces as they may become hot while the oven is in operation. This range requires fresh air for proper burner combustion.
- **NEVER** cover any slots, holes or passages in the oven or cover an entire rack with aluminum foil. Doing so blocks air flow through the oven and may cause carbon monoxide poisoning. Aluminum foil linings may also trap heat, causing a fire hazard.
- **NEVER** use this appliance as a space heater to heat or warm the room. Doing so may result in carbon monoxide poisoning and overheating the oven.

### To reduce the risk of burn injuries during cooktop use, observe the following:

- Children or pets should not be left alone or unattended in an area where appliances are in use.
- Children should never be allowed to sit or stand on any part of the appliance.
- Do not store flammable materials on or near the cooktop.
- When using the cooktop: **DO NOT TOUCH THE BURNER GRATES OR THE IMMEDIATE SURROUNDING AREA.**
- Use only dry pot holders; moist or damp potholders on hot surfaces may cause burns from steam.
- Do not allow aluminum foil or meat probe to contact heating elements.
- Never leave the cooktop unattended when in use.
- Boilovers cause smoking, and greasy spillovers may ignite. A spill on a burner can smother all or part of the flame or hinder spark ignition. If a boilover occurs, turn off burner and check operation. If burner is operating normally, turn it back on.
- During cooking, set the burner control so that the flame heats only the bottom of the pan and does not extend beyond the bottom of the pan.
- Take care that drafts like those from fans or forced air vents

do not blow flammable material toward the flames or push the flames so that they extend beyond the edges of the pan.

- Always position handles of utensils inward so they do not extend over adjacent work areas, burners, or the edge of the cooktop.
- Wear proper apparel. Loose fitting garments or hanging sleeves should never be worn while cooking.
- Never let clothing, potholders, or other flammable materials come in contact with hot burners or hot burner grates.
- Use only certain types of glass, heatproof glass ceramic, ceramic, earthenware, or other glazed utensils that are suitable for cooktop use.
- Do not clean the cooktop while it is still hot. Some cleaners produce noxious fumes when applied to a hot surface.

**CAUTION**

Do not allow aluminium foil, plastic, paper or cloth to come in contact with hot burners or grates. Do not allow pans to boil dry.

**CAUTION**

Do not store items of interest to children above the appliance. If children should climb onto the appliance to reach these items, they could be seriously injured.

To reduce the risk of fire in the oven cavity:

1. Do not store flammable materials in or near the oven.
2. Do not use water on a grease fire. Smother fire or use a dry chemical or foam-type extinguisher.
3. It is highly recommended that a fire extinguisher be readily available and highly visible next to any cooking appliance.
4. Do not overcook food. Carefully attend oven if paper, plastic or other combustible materials are placed inside the oven.
5. Do not use the cavity for storage purposes. Do not leave paper products, cooking utensils or food in the cavity when not being used.
6. If materials inside the oven should ignite, keep oven door closed. Turn oven off and disconnect the circuit at the circuit breaker box.
7. Do not block any vent openings.
8. Be sure the blower fan runs whenever the oven is in operation. If the fan does not operate, do not use the oven. Call an authorized service center.
9. For personal safety, wear proper clothing. Loose fitting or garments with hanging sleeves should never be worn while using this appliance.



- Tie long hair so that it doesn't hang loose.
- Do not touch heating elements or interior surfaces of oven.
- The heating elements may be hot even though they are dark in color. Interior surfaces of an oven become hot enough to cause burns.
- During and after use, do not touch or let clothing or other flammable materials contact the heating elements or the interior surfaces of the oven until they have had sufficient time to cool. Other surfaces of the appliance may become hot enough to cause burns for example, oven vent openings and surfaces near these openings, oven doors, and windows of oven doors.
- The trim on the top and sides of the oven door may become hot enough to cause burns.
- Use care when opening the door. Open the door slightly to let hot air or steam escape before removing or replacing food.
- Do not heat unopened food containers. Build-up of pressure may cause the container to burst and cause injury.
- Always place oven racks in desired location while oven is cool. If a rack must be moved while oven is hot, do not let pot holder contact the hot heating elements.
- Use only dry pot holders. Moist or damp pot holders on hot surfaces may result in burns from steam. Do not let pot holder touch hot heating elements. Do not use a towel or other bulky cloth.
- Do not allow aluminum foil or meat probe to contact heating elements.



### WARNING

- For proper lighting and performance of the burners, keep the igniters clean and dry.
- In the event that a burner goes out and gas escapes, open a window or a door. Wait at least 5 minutes before using the cooktop.
- Do not obstruct the flow of combustion and ventilation air.
- Do not use aluminium foil to line any part of the oven cavity as it will fuse to and ruin the enamel during cooking.
- If the range cookers is near a window, be certain blow over or near the burners; they could catch on fire.

### Safety for the Self-Cleaning Oven

- Confirm that the door is locked and will not open once both selectors are in CLEAN position and the door lock icon appears. If the door does not lock, turn the cook mode selector to OFF and do not run Self-Clean. Contact Service.
- Do not clean the door gasket. It is essential for a good seal. Care should be taken not to rub, damage, move or remove the door gasket.
- Do not use commercial oven cleaners or oven liner protective coatings of any kind in or around any part of the oven.
- Clean only oven parts listed in this manual.
- Before self-cleaning the oven, remove the broiler pan, oven racks (only when not made of porcelain), other utensils and excess soft spillage or food.



### WARNING

**The elimination of soil during self-cleaning generates some by-products which are on this list of substances.**

**To minimize exposure to these substances, always operate this oven according to the instructions in this manual and provide good ventilation to the room during and immediately after self-cleaning the oven.**

The California Safe Drinking Water and Toxic Enforcement Act requires the Governor of California to publish a list of substances known to the State of California to cause cancer, birth defects, or other reproductive harm, and requires businesses to warn of potential exposure to such substances. This product contains a chemical known to the State of California to cause cancer, birth defects, or other reproductive harm. This appliance can cause low-level exposure to some of the substances listed, including benzene, formaldehyde, carbon monoxide, toluene, and soot.

### Warnings for Gas and Electric Installation

#### In case of Propane gas installation

The appliance is produced ready for use with natural gas. It may be converted for use with propane gas using the propane conversion kit supplied with the appliance.

Be sure the unit being installed is correct for the type of gas being used. Refer to the rating plate (see Installation Instructions).



### WARNING

Installation and service must be performed by a qualified installer, service agency or the gas supplier.



### CAUTION

- Always disconnect the electrical supply before servicing this unit.
- For personal safety, this appliance must be properly grounded.
- Do not under any circumstances cut or remove the grounding prong from the power cord plug.



### CAUTION

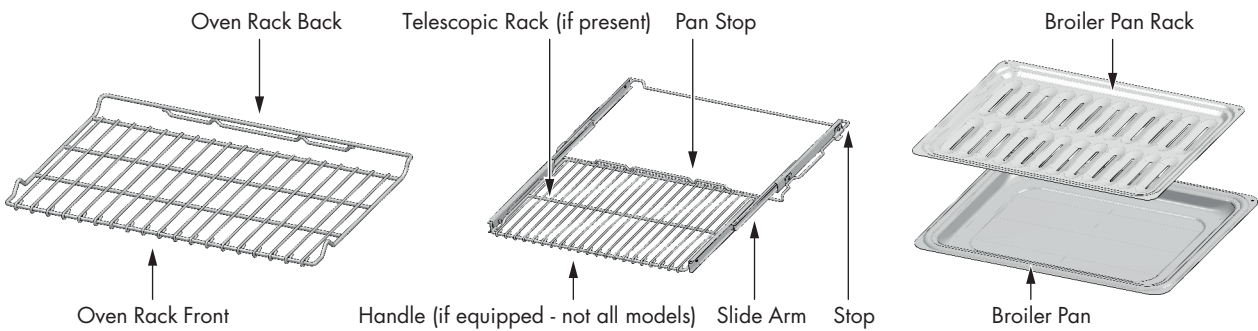
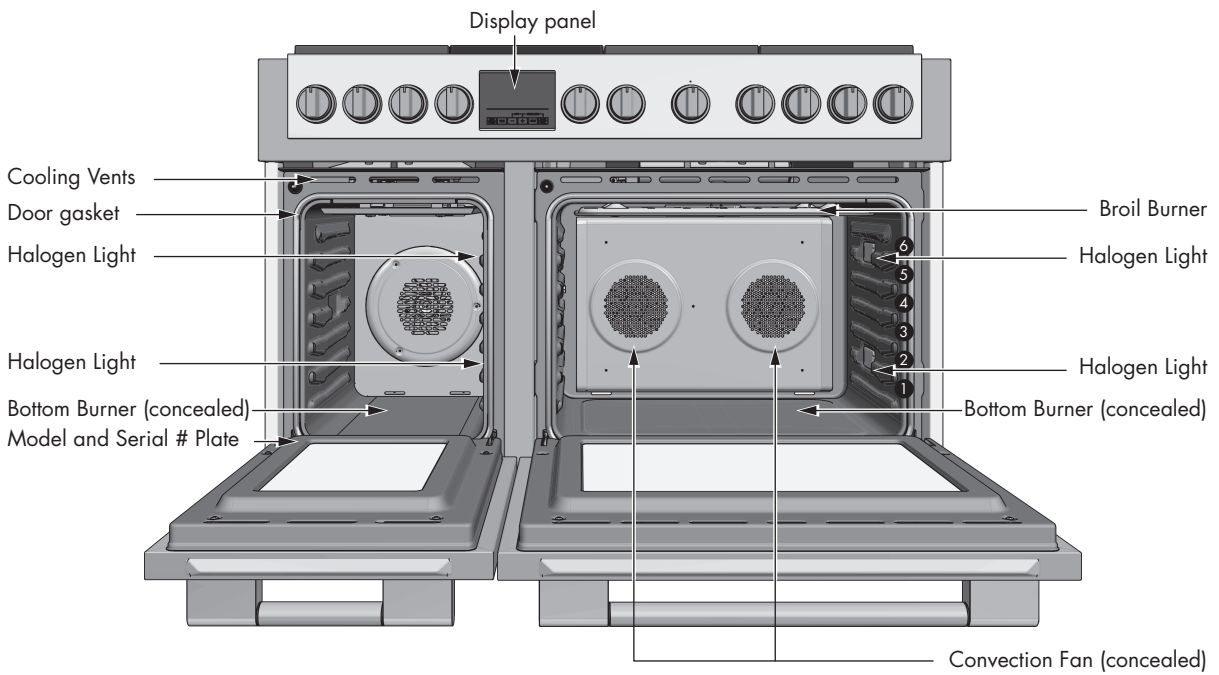
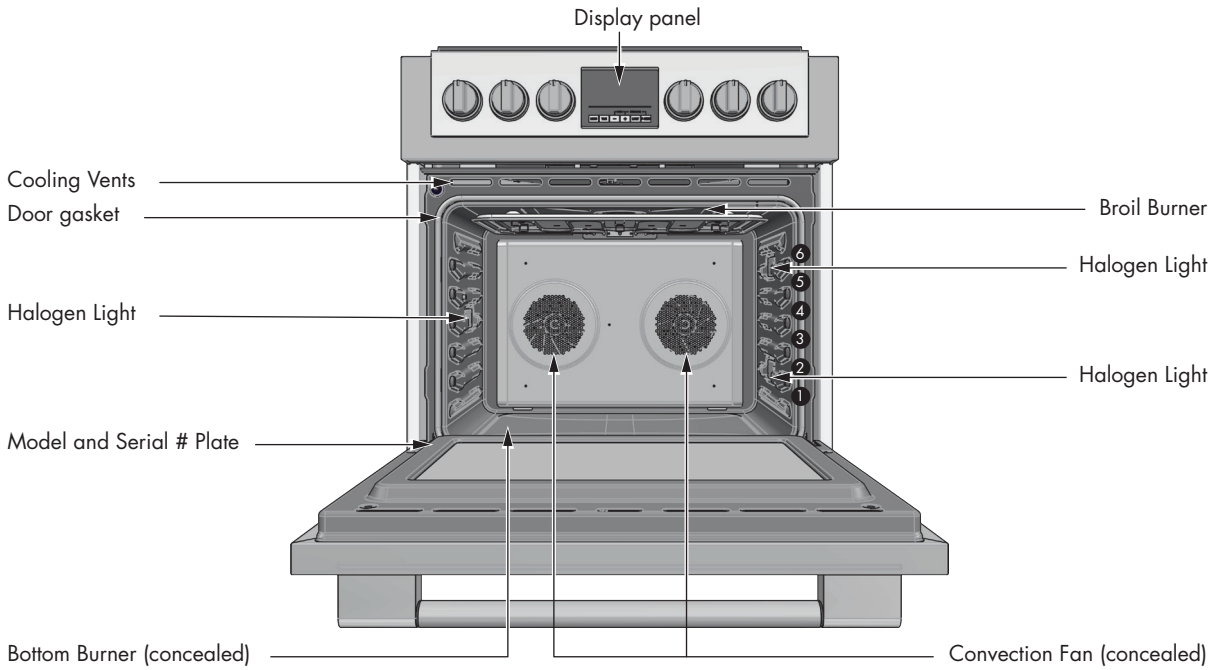
When connecting the unit to propane gas, make certain the propane tank is equipped with its own high pressure regulator. In addition, the pressure regulator supplied with the appliance must be on the inlet gas pipe of this unit.

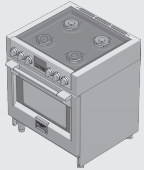
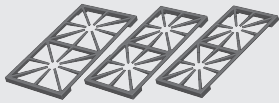
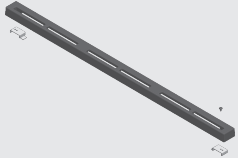
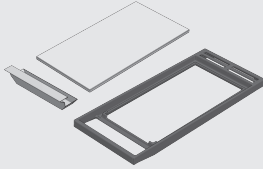
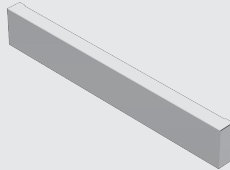
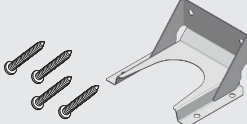
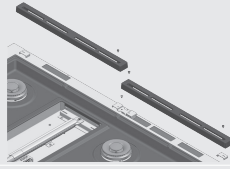
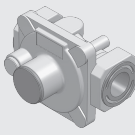

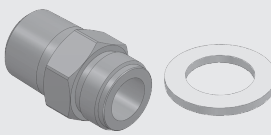


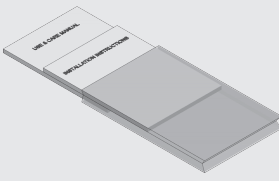
#### In case of electrical failure

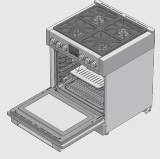
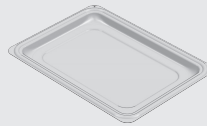
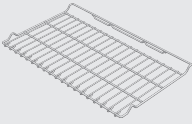

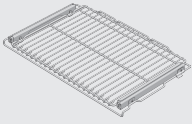

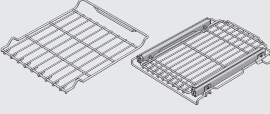
If for any reason a gas control knob is turned ON and there is no electric power to operate the electronic igniter of the cook top, turn OFF all gas control knobs and wait 5 minutes for the gas to dissipate before lighting the burner manually.

To light the burner manually, carefully hold a lighted match to the burner ports and push and turn the gas control knob to HI until it lights and then turn the knob to desired setting.

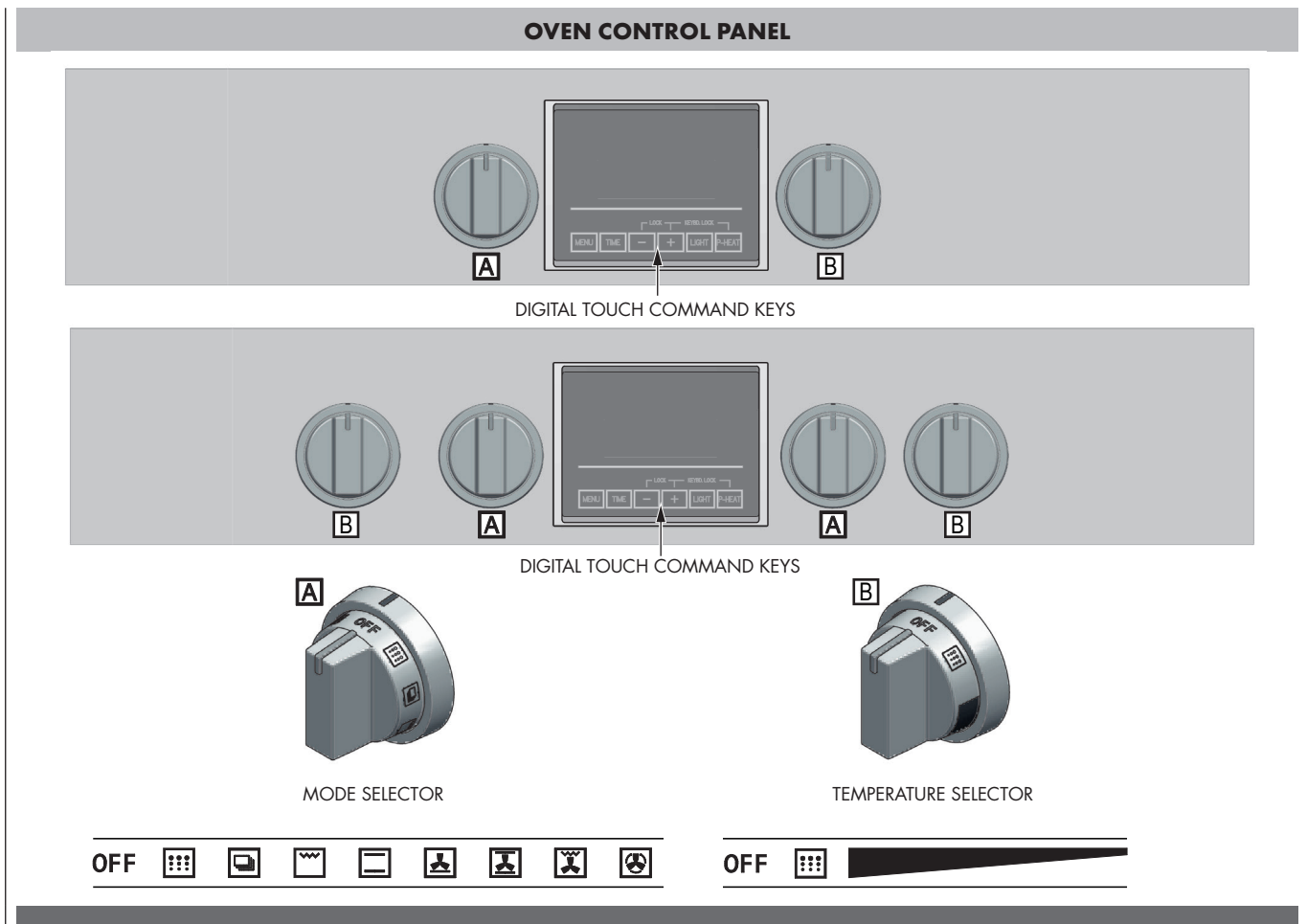
FEATURES OF YOUR OVEN



CONTENTS OF YOUR RANGE PACK					
	QTY	DESCRIPTION		QTY	DESCRIPTION
	1	RANGE COOKER		2	CAST IRON GRATES Pcs. FOR 30"-36" GRIDDLE RANGE
	1	For 30"/36" RANGES CAST IRON ISLAND TRIM TWO FIXING SCREWS		1	GRIDDLE (FOR 36"-48" RANGE)
	1	KICK COVER		1	ANTI TIP FOUR FIXING SCREWS
	2	Pcs. for 48" RANGE Island Trim Two fixing screws		1	PRESSURE REGULATOR
	3	FEET		1	NIPPLE
	1	FOOT WITH COLLAR		1	GASKET / WASHER
				1	MANUAL & GENERAL DOCUMENTATION
				1	"INSTALLATION INSTRUCTIONS"
				1	"USE & CARE"
				1	GAS CONVERSION KIT

OVEN ACCESSORIES OF YOUR RANGE					
	QTY	DESCRIPTION		QTY	DESCRIPTION
	1	OVEN		1	ENAMELED ROASTING PAN
	2	OVENS (FOR 48" RANGE)			
	2	CHROMED RACKS		1	ENAMELED ROASTING PAN GRATE
	1	TELESCOPIC CHROMED RACK		1	MEAT PROBE
	2	CHROMED RACKS			

The user interface has the following features: display, preheat light indicators, keys for commands, cooking mode and temperature selectors.



**Command Keys**

	Touch this key to enable special functions, low temperature modes or to enter special menu. See section: "Selecting the Oven Mode".
	See section: "Setting the Clock and Timer"
	key to decrease the value.
	key to increase the value.
	Touch to switch the oven lights status.
	When a cooking function has been selected, touch this key to enable the fast preheat mode. The fast preheat is not available for all functions.
	Touch this key to select the large cavity if none is selected. If one of the two is already selected, touch it and switch to the other one.

**Display**

**Time Multi-function Display:**

For time of day, minute minder, automatic cooking. AM/PM indication is also present.

Miscellaneous indications are also available to show which cavity is currently selected and whether any door has been locked, automatically for self-clean or manually by the user.

**Temperature Setting Display:**

Degree unit (°C or °F) indication is present. It shows the temperature set-point for the current cooking mode, in the selected cavity.

**Cooking Mode Display:**

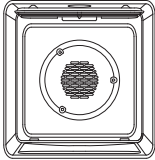
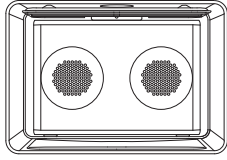
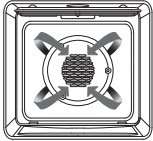
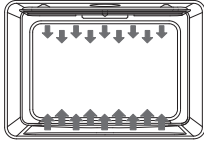
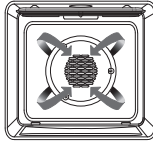
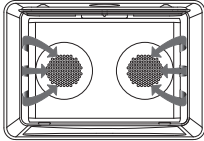

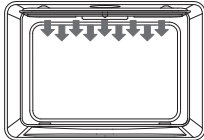

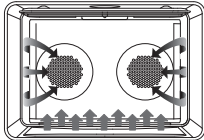
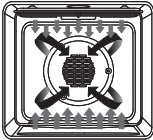
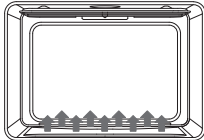
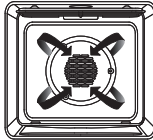
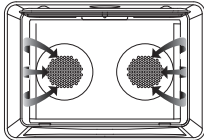
Indicates which function has been selected.

**Knobs**

**Cooking mode selector**, with eight cooking modes + OFF position.

**Temperature selector** with PRESET and CLEAN positions + continuous range between MIN and MAX values.

The following illustrations give an overview of what happens in the oven with each mode setting. The arrows represent the location of the heat sources during specific modes. The lower element is concealed under the oven cavity floor. All model configurations are illustrated below. Refer to the configuration applicable to your specific model.

CAVITY STYLES			
 <p><b>Convection Cavity</b></p>		 <p><b>Double Convection Cavity</b></p>	
 <p><b>Convection Bake (CONV BAKE)</b></p>	 <p><b>Bake (BAKE)</b></p>		 <p><b>Dehydrate (CONV DEHY)</b></p>
<p>Set temperature: from 170 °F (75 °C) to 550 °F (290 °C) <b>(preset position 325 °F (165 °C))</b></p> <p>Convection Bake cooks with heat from one or more ring elements behind the back wall of the oven. The heat is circulated throughout the oven by the convection fan.</p>	<p>Set temperature: from 170 °F (75 °C) to 550 °F (290 °C) <b>(preset position 350 °F (175 °C))</b></p> <p>Is cooking with heated air. Both the upper and lower elements cycle to maintain the oven temperature.</p>	<p>Set temperature: from 120 °F (50 °C) to 160 °F (70 °C) <b>(preset position 140 °F (60 °C))</b></p> <p>Dehydrating is similar to convection cooking but holds an optimum low temperature while circulating the heated air to remove moisture slowly for food preservation.</p>	
 <p><b>Convection Broil (CONV BROIL)</b></p>	 <p><b>Broil (BROIL)</b></p>		 <p><b>Pizza (PIZZA)</b></p>
<p>Set temperature: from 170 °F (75 °C) to 550 °F (290 °C) <b>(preset position 450 °F (230 °C))</b></p> <p>Convection Broil combines the intense heat from the upper element with the heat circulated by the convection fan.</p>	<p>Set temperature: from L1 to L5 <b>(preset position L3)</b></p> <p>Broiling uses intense heat radiated from the upper element.</p>	<p>Set temperature: from 170 °F (75 °C) to 550 °F (290 °C) <b>(preset position 450 °F (232 °C))</b></p> <p>Is a special cooking mode with heated air. The lower elements cycle to cook Pizza.</p>	
 <p><b>Convection Roast (CONV ROAST)</b></p>	 <p><b>Proof (WARM)</b></p>		 <p><b>Defrost (CONV)</b></p>
<p>Set temperature: from 170 °F (75 °C) to 550 °F (290 °C) <b>(preset position 325 °F (165 °C))</b></p> <p>Convection Roast uses the upper and lower elements and convection fan.</p>	<p>Set temperature: from 80 °F (25 °C) to 120 °F (50 °C) <b>(preset position 100 °F (35 °C))</b></p> <p><b>Warming (WARM PLUS)</b> Set temperature: from 130 °F (55 °C) to 210 °F (100 °C) (preset position 170 °F (75 °C))</p> <p>Proof and Warming use the lower elements to keep foods warm.</p>	<p>Does not used any heating element, only the convection fan is used to defrost foods.</p>	

Before using your range for the first time remove all packing and foreign materials from the oven. Any material of this sort left inside may melt or burn when the appliance is used. Heat the empty appliance to the maximum temperature in order to remove any manufacturing residues which could affect the food with unpleasant odors.

**Flashing Symbols or Numbers**

Signals an incomplete action that is in progress (locking the door, preheat, etc.) or an incomplete setting expecting further input.

**Beeps**

Signals that more information must be entered or confirms the receipt of an entry. Beeps also alert the user to the end of a function or an oven fault.

**Door lock**

It's displayed continuously when the door is locked. The symbol flashes when the latch is moving in order to lock or unlock the door. Do not attempt to open the door at this time. Door can be opened when the symbol no longer appears. "AUTO LOCK" appears when the door has been locked automatically due to self-clean mode. "USER LOCK" is displayed when the door has been locked manually by the user, for example to prevent children from having free access to the oven cavity. Hold both the **+** and **-** keys for 3 seconds. The latch will lock the door. Repeat the same operation to unlock.

**Locking the keyboard**

Hold both the keys indicated by "KEYBD. LOCK" legend for 3 seconds. Commands are now locked and "SENS LOCK" will be displayed every time you touch any keys. Repeat the same operation for 3 seconds to unlock the keyboard.

**Default Settings**

The cooking modes automatically select a suitable temperature when the selector is in the preset position. These can be changed when a different one is needed. It's also possible to set a user option in order to save the last used temperature for each cooking mode.

**Failure Number Codes**

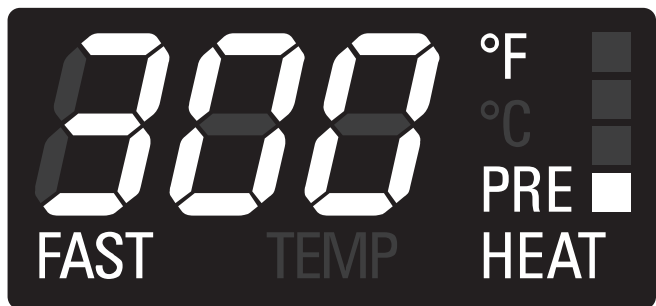
These codes are displayed when the electronic control detects a problem in the oven or in the electronics.

**Convection Fan**

The convection fan operates during any convection mode. When the oven is operating in the convection mode, the fan will turn off automatically when the door is opened. The convection fan always runs during the preheat time.

**Preheat and Fast Preheat**

Whenever a cooking mode is set and the oven is heating, the "PREHEAT" writing appears in the temperature display: the vertical bar indicates, in four steps, when the oven reaches the 25%, 50%, 75% and 100% thresholds of the set-point temperature. As soon as 100% is reached, the control beeps an "end of preheat" tone and the "PREHEAT" text disappears. When it's necessary to heat up the oven rapidly, a Fast Preheat mode is available: it uses the heating elements and the convection fan in a special way, in order to reduce the heating time as long as possible. After having set one of the cooking functions for which the fast preheat is available, touch the **P-HEAT** key, the "FAST" text is shown in addition to "PREHEAT".



As soon as the set-point temperature is reached, the control beeps an "end of preheat" tone and both "FAST" and "PREHEAT" texts disappear. The oven switches automatically to the desired cooking mode that was initially chosen: put the food inside now.

**WARNING**

Keeping appliance area clear and free from combustible materials, gasoline, and other flammable vapors and liquids.

### Preheating the Oven

- Preheat the oven when using the Bake, Convection Bake and Convection Roast modes.
- Use Fast Preheat mode when a shorter time is desired to preheat the oven.
- Selecting a higher temperature does not shorten the preheat time.
- Preheating is necessary for good results when baking cakes, cookies, pastry and breads.
- Preheating will help to sear roasts and seal in meat juices.
- Place oven racks in their proper position before preheating.
- During preheating, the selected cooking temperature is always displayed.
- A beep will confirm that the oven is preheated and the "PREHEAT" text will turn off.

### Operational Suggestions

- Use the cooking charts included in this manual as a guide.
- Do not set pans on the open oven door.
- Use the interior oven lights to view the food through the oven door window rather than opening the door frequently.

### Utensils

- Glass baking dishes absorb heat. Reduce oven temperature 25°F (15°C) when baking in glass.
- Use pans that give the desired browning. The type of finish on the pan will help determine the amount of browning that will occur.
- Shiny, smooth metal or light non-stick / anodized pans reflect heat, resulting in lighter, more delicate browning. Cakes and cookies require this type of utensil.
- Dark, rough or dull pans will absorb heat resulting in a browner, crisper crust. Use this type for pies.
- For brown, crisp crusts, use dark non-stick / anodized or dark, dull metal utensils or glass bake ware. Insulated baking pans may increase the length of cooking time.
- Do not cook with the empty broiler pan in the oven, as this could change cooking performance. Store the broil pan outside of the oven.

### Oven Condensation and Temperature

- It is normal for a certain amount of moisture to evaporate from the food during any cooking process. The amount depends on the moisture content of the food. The moisture may condense on any surface cooler than the inside of the oven, such as the control panel.
- Your new oven has an electronic temperature sensor that allows maintaining an accurate temperature. Your previous oven may have had a mechanical thermostat that drifted gradually over time to a higher temperature. It is normal that you may need to adjust your favorite recipes when cooking in a new oven.

### High Altitude Baking

- When cooking at high altitude, recipes and cooking time will vary from the standard.

### 120/240 vs. 120/208 Volt Connection

- Most oven installations will have a 120/240 voltage connection.
- If your oven is installed with 120/208 voltage, the preheat time may be slightly longer than with 120/240 voltage.
- The oven is designed to assure the same clean time at 208V. The range ships configured to operate using 120/240 voltage. Refer to the Installation Instructions for

how to properly configure the electric oven for optimal performance on 120/208 voltage.

### Oven Racks

- The oven has rack guides at six levels as shown in the illustration on Page 6.
- Rack positions are numbered from the bottom rack guide (#1) to the top (#6).
- Check cooking charts for best rack positions to use when cooking.
- Each level guide consists of paired supports formed in the walls on each side of the oven cavity.
- Always be sure to position the oven racks before turning on the oven. Make sure that the racks are level and secure once they are in position.

**Please refer to illustration on Page 6 if there is any question as to which side is the front of the rack.**

- The racks are designed to stop when pulled forward to their limit.



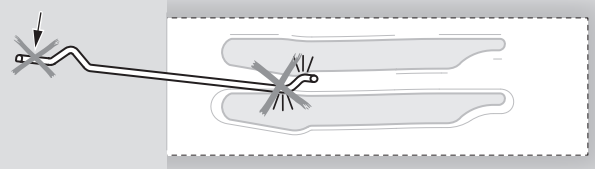
### ATTENTION

Never use aluminum foil to cover the oven racks or to line the oven. It can cause damage to the oven liner if heat is trapped under the foil.



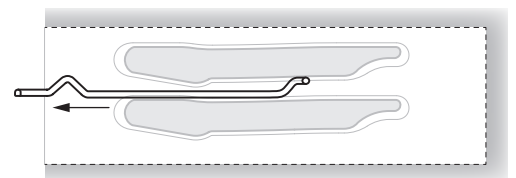
### ATTENTION

**Make sure you do not force it to avoid damage to the enamel.**

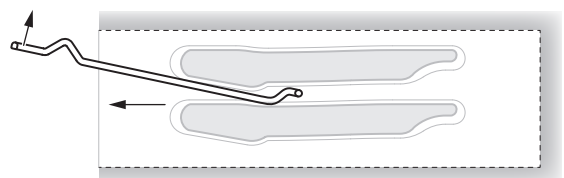


### To remove oven rack from the oven:

1. Pull rack forward

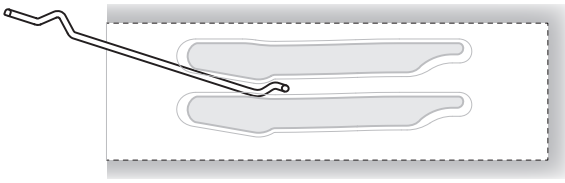


2. Lift rack up at front and then remove it

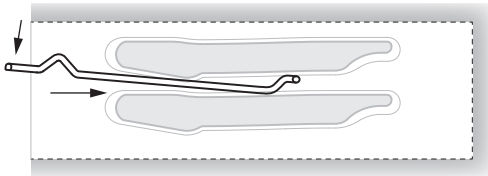


### To replace an oven rack:

1. Place rear of rack between rack level guides



2. While lifting front of rack, slide rack in all the way while lowering the front



### Oven Telescopic Racks

- The telescopic rack allows for easier access to cooking foods for repetitive activities such as basting. It extends beyond the standard flat rack bringing the food closer to the user.

#### ATTENTION

When the rack is outside of the oven, slide arms do not lock. They could unexpectedly extend if the rack is carried incorrectly. **Extending slide arms could cause injury. Rack should only be held or carried by grasping the sides.**

**NOTE:** Always remove the extendable rack before self-cleaning the oven.

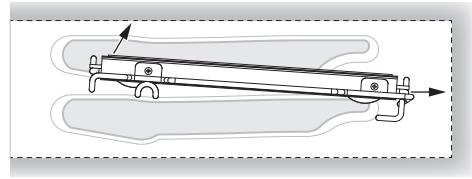
#### ATTENTION

To avoid burns, pull rack all the way out and lift pan above handle when transferring food to and from oven.

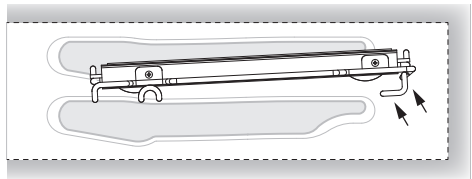
Please refer to illustration on Page 6 if there is any question as to which side is the front of the rack.

### To remove extendable rack from the oven:

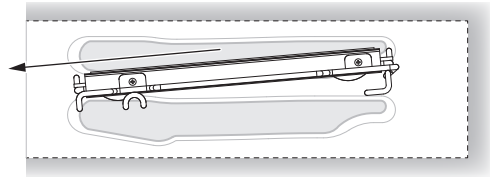
1. Lift of rack slightly and push it towards the back of the oven until the stop releases.



2. Raise back of rack until frame and stop clear rack guide

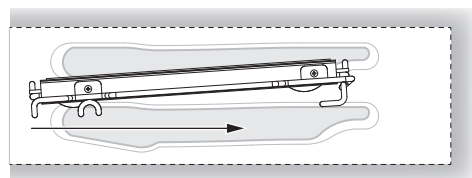


3. Pull rack down and out

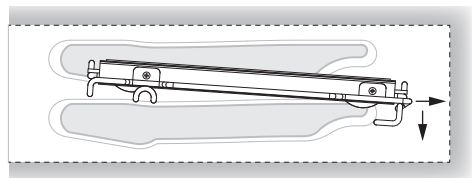


### To replace an extendable rack:

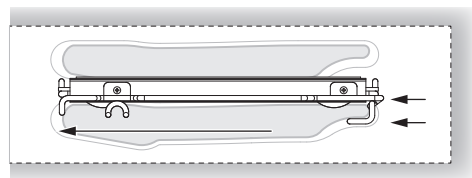
1. Grasp rack firmly on both sides. Place rack (including frame) above desired rack guide



2. Push all the way in until the back of the rack drops into place



3. Pull both sections forward until stops activate. Rack should be straight and flat, not crooked





The time of day is displayed in hours and minutes.

Always set the clock immediately after installation, the clock displays the time 12:00<sup>AM</sup>. The clock time will appear during all oven operations except when there is the timer or any timed cooking operations running. The oven is preset to a 12-hour clock and indicates <sup>AM</sup> and <sup>PM</sup>.

### To Set the Time of Day

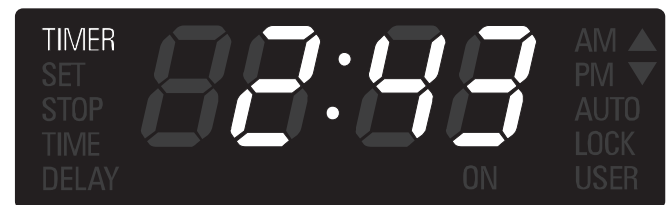
1. Touch **TIME** until the display shows the "SET TIME" writing.
2. Touch **+** or **-** to set the desired time, the hours will begin flashing: continue until the correct hour value and <sup>AM</sup> or <sup>PM</sup> indication is selected.
3. Touch **TIME** again to confirm the hour and minutes will start flashing.
4. Touch **+** or **-** to set the desired minutes value or hold the key to change by 10 minute increments.
5. Touch **TIME** again or wait for 5 seconds in order to confirm the time.



**NOTE:** The Time of Day can never be set if any time function is already set: first delete all the active time functions.











### To Set the Timer

1. Touch **TIME** until the display shows the "TIMER" text.
2. Touch **+** or **-** to set the desired timer value, the hours will begin flashing: continue until the desired value is set.
3. Touch **TIME** again to confirm the hour, now the minutes will start flashing.
4. Touch **+** or **-** to set the desired minutes value or hold the key to change by 10 minute increments.
5. Touch **TIME** again or wait for 5 seconds in order to confirm the time.
6. "TIMER" will be continuously displayed.
7. When the time ends, reminder beeps will sound for 15 minutes or until the **TIME** key is pressed.
8. Timer format is usually HR:MIN, switching into MIN:SEC during the last minute.
9. The displayed value is always rounded to the lower minute. For example: 2:43 is displayed as the timer counts from 2:43:59 to 2:43:00.



### Setting Cooking Mode and Temperature

- The following modes can be selected by moving the cooking mode knob to the desired position. To enable self-clean, both the Oven Mode and Temperature Selector knobs must be in the 'Clean' position.





Setting cooking	
OFF	OFF
	CONVECTION BAKE (CONV BAKE)
	CONVECTION BROIL (CONV BROIL)
	CONVECTION ROAST (CONV ROAST)
	PIZZA (MULTI PIZZA)
	BAKE (BAKE)
	BROIL (BROIL)
	DEFROST (CONV)
	PROOF (WARM)
	WARMING (WARM PLUS)
	DEHYDRATE(CONV DEHY)
	CLEAN

- Select the desired temperature by moving the selector or leave it in the PRESET position if the proposed value is fine. The temperature can be changed by 5°F or 5°C steps.
- Cavity will begin to heat, the "ON" text is displayed when the oven is active, oven lights will turn on.
- "PREHEAT" text will illuminate. Once the oven has preheated, it will beep and switch the text off.
- To change the temperature while cooking, simply turn the temperature knob until the display shows the desired value.
- Move the cooking mode selector to OFF if you intend to stop cooking.
- Touch **SMALL/LARGE** to select the desired cavity and check the related temperature or time values, even is there's no need to change those.



- The triangles in the upper right corner of the display are active when the oven is operating.

### Using **MENU** key to select low temperature functions

Setting cooking	
	DEFROST (CONV)
	PROOF (WARM)
	WARMING (WARM PLUS)
	DEHYDRATE(CONV DEHY)

- Touch **MENU** key to toggle between these four modes.
- The last used is kept in memory for the next time the low temperature operation is selected.

### Using Oven Lights

- If LIGHT key is touched when both ovens are off, lights in both the upper and lower oven will turn on. Touch LIGHT key again, and both oven lights will turn off.
- A single light key activates the lights.
- Oven lights turn on and off automatically when the door is opened and closed.
- When an oven is in use, oven lights turn on automatically when a mode is started. Oven lights will turn off automatically when the oven mode is cancelled.  
NOTE : Only for the low temperature functions, the light turns off automatically after 3 minutes. Press LIGHT button to activates the light.
- The lights do not operate in the Self-Clean mode or Sabbath Mode.

### To manually control the interior oven lights in either the **SMALL** or **LARGE** oven if one or both ovens are in use:

- Touch **SMALL/LARGE** and the display will indicate which oven is selected.
- Touch **SMALL/LARGE** to select the other oven.
- Touch **LIGHT** to turn lights on or off in the desired cavity.

- In double oven models, both ovens can be set independently to operate a timed mode.
- Be sure that the time-of-day clock is displaying the correct time.
- The timed mode turns off the oven at the end of the cook time.

## To Set a Timed Mode

1. Select the oven by means of **SMALL/LARGE** key, if necessary.
2. Select the cooking mode and the temperature by means of the knobs. The "ON" writing will appear in the display.
3. Touch **TIME** key until the "TIME" text appears in the display.
4. Touch **+** or **-**, the hour digits will begin flashing. Continue to set the desired cooking time. Keep in mind that the time required for the oven to reach the temperature must be included in the set cooking time.
5. Touch **TIME** again, the hours will be confirmed and the minute digits will begin flashing.
6. Touch **+** or **-** to change the minutes. Hold the key to change by 10 minutes steps. Continue to set the desired cooking time.
7. Touch **TIME** once again or wait for a few seconds to confirm the cooking time value.



## To Delay the Start of a Timed Mode

Follow steps 1 through 6.

- Touch **TIME** key until "STOP TIME" will appear in the display.
- The control automatically calculates and displays the initial value, adding the cooking time already set to the time of day.



- Touch **+** or **-**, the hour digits will begin flashing. Continue to set the desired stop time.
- Touch **TIME** again, the hours will be confirmed and the minute digits will begin flashing.
- Touch **+** or **-** to change the minutes. Hold the key to change by 10 minutes increments. Continue to set the desired stop time.
- Touch **TIME** once again or wait for a few seconds to confirm the stop time value.
- With this feature you are setting the time at which you want

cooking to be completed. The electronic will then use the cooking length time set in the previous instruction set to automatically calculate when to start the oven. The "DELAY" text is displayed until the start time is reached.



## When a Timed Mode is running

- As soon as the oven begins cooking, the display shows the cooking time and counts down by one minute increments. The oven will cook for the programmed time.
- When the time expires, the oven automatically turns off, the texts "ON" and "TIME" start flashing and an "end of activity" beep sequence sounds. Reminder beeps will sound for up to fifteen minutes or until any key is touched in order alert the user that cooking is complete.

## How to check a time value

- Whenever it's necessary to check a time value that is not displayed, touch the **TIME** key until the desired text is displayed. The value will be shown for 5 seconds.
- Example: if the timer value is displayed and you want to check the cooking time, touch the **TIME** key until "TIME" is displayed to view the cooking time for 5 seconds.



This oven is provided with the meat probe feature to sense the temperature inside meat and stop cooking as soon as the set value is reached.

In a double oven it's available only in the large cavity.

The following modes can be selected to work with the meat probe:

**CONVECTION BAKE**  
**CONVECTION ROAST**  
**BAKE**

Other modes are not allowed to start if the probe is inserted . (F13 error code appears).

Once the probe has been inserted in its receptacle and detected by the control, turn the cooking mode knob into a valid position, the PROBE text appears on the cooking mode display along with the selected function.



The meat probe standard temperature (170°F) flashes on the clock module for 5 seconds.

Using the **+** / **-** keys, it's possible to change the probe set.

The standard probe temperature set-point is 170°F.

The allowed range is between 130°F and 210°F. The maximum cavity temperature during cooking with meat probe is 475°F.

The resolution must be 5°F or 2.5°C both for set and actual temperature.

After 5 seconds the value on the display is accepted and the control starts cooking. The actual probe temperature is now shown on the timer display.



Touch **+** or **-** once to check the probe set temperature. When it's flashing touch it again or hold to modify the value. As soon as the set probe temperature is reached, the control beeps indicating the end of cooking and stops the oven.

Always turn the cooking mode to the OFF position after a particular cooking mode has automatically turned off the oven so it is properly reset for the next time it is used.

The PROBE text flashes when the mode is not valid for cooking with probe. If the probe is removed during cooking, or in case of a short or open circuit, a fault message will be displayed.

Automatic time functions are disabled when using the meat probe, only the timer can work.

Baking is cooking with heated air. Both upper and lower elements in the oven are used to heat the air but no fan is used to circulate the heat.

Follow the recipe or convenience food directions for baking temperature, time and rack position. Baking time will vary with the temperature of ingredients and the size, shape and finish of the baking utensil.

## General Guidelines

- For best results, bake food on a single rack with at least 1" - 1 ½" (2,5 - 3cm) space between utensils and oven walls.
- Use one rack when selecting the bake mode.
- Check for doneness at the minimum time.
- Use metal bake ware (with or without a non stick finish), heatproof glass, glass-ceramic, pottery or other utensils suitable for the oven.
- When using heatproof glass, reduce temperature by 25°F (15°C) from recommended temperature.
- Use baking sheets with or without sides or jelly roll pans.
- Dark metal pans or nonstick coatings will cook faster with more browning. Insulated bake ware will slightly lengthen the cooking time for most foods.
- Do not use aluminum foil or disposable aluminum trays to line any part of the oven. Foil is an excellent heat insulator and heat will be trapped beneath it. This will alter the cooking performance and can damage the finish of the oven.
- Avoid using the opened door as a shelf to place pans.
- Tips for Solving Baking Problems are found on Page 25.

BAKE CHART - CONVECTION CAVITY				
FOOD ITEM	RACK POSITION	TEMP. °F (°C) (PREHEATED OVEN)		TIME (MIN)
<b>CAKE</b>				
Cupcakes	2	350	(175)	19 - 22
Bundt Cake	1	350	(175)	40 - 45
Angel Food	1	350	(175)	35 - 39
<b>PIE</b>				
2 crust, fresh, 9"	2	375 - 400	(190 - 205)	45 - 50
2 crust, frozen fruit, 9"	2	375	(190)	68 - 78
<b>COOKIES</b>				
Sugar	2	350 - 375	(175 - 190)	8 - 10
Chocolate Chip	2	350 - 375	(175 - 190)	8 - 13
Brownies	2	350	(175)	29 - 36
<b>BREADS</b>				
Yeast bread loaf, 9x5	2	375	(190)	18 - 22
Yeast rolls	2	375 - 400	(190 - 205)	12 - 15
Biscuits	2	375 - 400	(190 - 205)	7 - 9
Muffins	2	425	(220)	15 - 19
<b>PIZZA</b>				
Frozen	2	400 - 450	(205 - 235)	23 - 26
Fresh	2	475	(246)	15 - 18

Reduce recipe baking temperatures by 25°F (15°C).

- For best results, foods should be cooked uncovered, in low-sided pans to take advantage of the forced air circulation. Use shiny aluminum pans for best results unless otherwise specified.
- Heatproof glass or ceramic can be used. Reduce temperature by another 25°F (15°C) when using heatproof glass dishes for a total reduction of 50°F (30°C).
- Dark metal pans may be used. Note that food may brown faster when using dark metal bake ware.
- The number of racks used is determined by the height of the food to be cooked.
- Baked items, for the most part, cook extremely well in convection. Don't try to convert recipes such as custards, quiches, pumpkin pie, or cheesecakes, which do not benefit from the convection-heating process. Use the regular Bake mode for these foods.
- Multiple rack cooking for oven meals is done on rack positions 1, 2, 3, 4 and 5. All five racks can be used for cookies, biscuits and appetizers.
  - 2 Rack baking: Use positions 1 and 3.
  - 3 rack baking: Use positions 2, 3 and 4 or 1, 3 and 5.
  - When baking four cake layers at the same time, stagger pans so that one pan is not directly above another. For best results, place cakes on front of upper rack and back of lower rack (See graphic at right). Allow 1" - 1 ½" (2.5 - 3cm) air space around pans.
- Converting your own recipe can be easy. Choose a recipe that will benefit from convection cooking.
- Reduce the temperature and cooking time if necessary. It may take some trial and error to achieve a perfect result. Keep track of your technique for the next time you want to prepare the recipe using convection.
- Tips for Solving Baking Problems are found on Page 25.

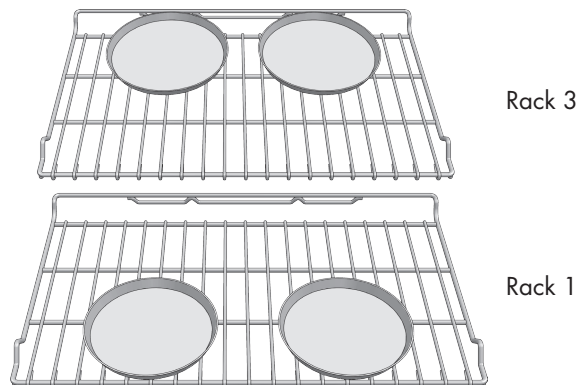
**Foods recommended for Convection Bake mode:**

- Appetizers, Biscuits, Coffee Cakes
- Cookies (2 to 4 racks), Yeast Breads
- Cream Puffs
- Turnovers
- Casseroles and One-Dish Entrees
- Oven Meals (rack positions 1, 2, 3)
- Air Leavened Foods (Soufflés, Meringue, Meringue-Topped Desserts, Angel Food Cakes, Chiffon Cakes)

**RACK POSITION**



**MULTIPLE RACK PAN PLACEMENT**



**Quick and easy recipe tips**

Converting from standard BAKE to CONVECTION BAKE:

- Reduce the temperature by 25°F (15°C).
- Use the same baking time as Bake mode if under 10 to 15 minutes.
- Foods with a baking time of less than 30 minutes should be checked for doneness 5 minutes earlier than in standard bake recipes.
- If food is baked for more than 40 to 45 minutes, bake time should be reduced by 25%.

### Convection Bake Chart

Reduce standard recipe temperature by 25 °F (15 °C) for Convection Bake. Temperatures have been reduced in this chart.

Convection Bake Chart - CONVECTION CAVITY				
FOOD ITEM	RACK POSITION	TEMP. °F (°C) (PREHEATED OVEN)		TIME (MIN)
<b>CAKE</b>				
Cupcakes	2	325	(160)	20 - 22
Bundt Cake	1	325	(160)	43 - 50
Angel Food	1	325	(160)	43 - 47
<b>PIE</b>				
2 crust, fresh, 9"	2	350 - 400	(175 - 205)	40 - 52
2 crust, frozen fruit, 9"	2	350	(175)	68 - 78
<b>COOKIES</b>				
Sugar	2	325 - 350	(160 - 175)	9 - 12
Chocolate Chip	2	325 - 350	(160 - 175)	8 - 13
Brownies	2	325	(160)	29 - 36
<b>BREADS</b>				
Yeast bread loaf, 9x5	2	350	(175)	18 - 22
Yeast rolls	2	350 - 375	(175 - 190)	12 - 15
Biscuits	2	375	(190)	8 - 10
Muffins	2	400	(205)	17 - 21
<b>PIZZA</b>				
Frozen	2	375 - 425	(190 - 220)	23 - 26
Fresh	2	450	(232)	15 - 18

Convection Bake Chart - DOUBLE CONVECTION CAVITY				
FOOD ITEM	RACK POSITION	TEMP. °F (°C) (PREHEATED OVEN)		TIME (MIN)
<b>CAKE</b>				
Cupcakes	2	325	(160)	16 - 18
Bundt Cake	1	325	(160)	37 - 43
Angel Food	1	325	(160)	35 - 39
<b>PIE</b>				
2 crust, fresh, 9"	2	350 - 400	(175 - 205)	35 - 45
2 crust, frozen fruit, 9"	2	350	(175)	68 - 78
<b>COOKIES</b>				
Sugar	2	325 - 350	(160 - 175)	6 - 9
Chocolate Chip	2	325 - 350	(160 - 175)	8 - 13
Brownies	2	325	(160)	29 - 36
<b>BREADS</b>				
Yeast bread loaf, 9x5	2	350	(175)	18 - 22
Yeast rolls	2	350 - 375	(175 - 190)	12 - 15
Biscuits	2	375	(190)	6 - 8
Muffins	2	400	(205)	13 - 16
<b>PIZZA</b>				
Frozen	2	375 - 425	(190 - 220)	23 - 26
Fresh	2	450	(232)	15 - 18

This chart is a guide. Follow recipe or package directions and reduce temperatures appropriately.

- Do not preheat for Convection Roast.
- Roast in a low-sided, uncovered pan.
- When roasting whole chickens or turkey, tuck wings behind back and loosely tie legs with kitchen string.
- Use the 2-piece broil pan for roasting uncovered.
- Use the probe or a meat thermometer to determine the internal doneness on "END" temperature (see cooking chart).
- Double-check the internal temperature of meat or poultry by inserting meat thermometer into another position.
- Large birds may also need to be covered with foil (and pan roasted) during a portion of the roasting time to prevent over-browning.

**Quick and easy recipe tips**

Converting from standard **BAKE** to **CONVECTION ROAST**:

- Temperature does not have to be lowered.
- Roasts, large cuts of meat and poultry generally take 10-20% less cooking time. Check doneness early.
- Casseroles or pot roasts that are baked covered in CONVECTION ROAST will cook in about the same amount of time.

- The minimum safe temperature for stuffing in poultry is 165°F (75°C).
- After removing the item from the oven, cover loosely with foil for 10 to 15 minutes before carving if necessary to increase the final foodstuff temperature by 5° to 10°F (3° to 6° C)

**Convection Roast Chart - CONVECTION CAVITY**

MEATS	WEIGHT (lb)	OVEN TEMP. °F (°C)	RACK POSITION	TIME (min. per lb)	INTERNAL TEMP. °F (°C)
<b>BEEF</b>					
<b>Rib Roast</b>	4 - 6	325 (160)	2	16 - 20 18 - 22	145 (63) medium rare 160 (71) medium
<b>Rib Eye Roast, (boneless)</b>	4 - 6	325 (160)	2	16 - 20 18 - 22	145 (63) medium rare 160 (71) medium
<b>Rump, Eye, Tip, Sirloin (boneless)</b>	3 - 6	325 (160)	2	16 - 20 18 - 22	145 (63) medium rare 160 (71) medium
<b>Tenderloin Roast</b>	2 - 3	400 (205)	2	15 - 20	145 (63) medium rare
<b>PORK</b>					
<b>Loin Roast (boneless or bone-in)</b>	5 - 8	350 (175)	2	16 - 20	160 (71) medium
<b>Shoulder</b>	3 - 6	350 (175)	2	20 - 25	160 (71) medium
<b>POULTRY</b>					
<b>Chicken whole</b>	3 - 4	375 (190)	2	18 - 21	180 (82)
<b>Turkey, not stuffed</b>	12 - 15	325 (160)	1	10 - 14	180 (82)
<b>Turkey, not stuffed</b>	16 - 20	325 (160)	1	9 - 11	180 (82)
<b>Turkey, not stuffed</b>	21 - 25	325 (160)	1	6 - 10	180 (82)
<b>Turkey Breast</b>	3 - 8	325 (160)	1	15 - 20	170 (77)
<b>Cornish Hen</b>	1 - 1½	350 (175)	2	45 - 75 total	180 (82)
<b>LAMB</b>					
<b>Half Leg</b>	3 - 4	325 (160)	2	22 - 27 28 - 33	160 (71) medium 170 (77) well
<b>Whole Leg</b>	6 - 8	325 (160)	1	22 - 27 28 - 33	160 (71) medium 170 (77) well



Convection Roast Chart - DOUBLE CONVECTION CAVITY					
MEATS	WEIGHT (lb)	OVEN TEMP. °F (°C)	RACK POSI- TION	TIME (min. per lb)	INTERNAL TEMP. °F (°C)
<b>BEEF</b>					
<b>Rib Roast</b>	4 - 6	325 (160)	2	18 - 22 20 - 25	145 (63) medium rare 160 (71) medium
<b>Rib Eye Roast, (boneless)</b>	4 - 6	325 (160)	2	18 - 22 20 - 25	145 (63) medium rare 160 (71) medium
<b>Rump, Eye, Tip, Sirloin (boneless)</b>	3 - 6	325 (160)	2	18 - 22 20 - 25	145 (63) medium rare 160 (71) medium
<b>Tenderloin Roast</b>	2 - 3	425 (220)	2	15 - 20	145 (63) medium rare
<b>PORK</b>					
<b>Loin Roast (boneless or bone-in)</b>	5 - 8	350 (175)	2	18 - 22	160 (71) medium
<b>Shoulder</b>	3 - 6	350 (175)	2	20 - 25	160 (71) medium
<b>POULTRY</b>					
<b>Chicken whole</b>	3 - 4	375 (190)	2	20 - 23	180 (82)
<b>Turkey, not stuffed</b>	12 - 15	325 (160)	1	10 - 14	180 (82)
<b>Turkey, not stuffed</b>	16 - 20	325 (160)	1	9 - 11	180 (82)
<b>Turkey, not stuffed</b>	21 - 25	325 (160)	1	6 - 10	180 (82)
<b>Turkey Breast</b>	3 - 8	325 (160)	1	15 - 20	170 (77)
<b>Comish Hen</b>	1 - 1½	350 (175)	2	45 - 75 total	180 (82)
<b>LAMB</b>					
<b>Half Leg</b>	3 - 4	325 (160)	2	20 - 27 25 - 32	160 (71) medium 170 (77) well
<b>Whole Leg</b>	6 - 8	325 (160)	1	20 - 27 25 - 32	160 (71) medium 170 (77) well

Cooking times are indicative and also depend on the thickness and the starting temperature of the meat before cooking

## EN 15 - Convection Broil Tips and Techniques

- Place rack in the required position needed before turning on the oven.
- Use Convection Broil mode with the oven door closed.
- Do not preheat oven.
- Use the 2-piece broil pan.
- Turn meats once halfway through the cooking time (see convection broil chart).

<b>Convection Broil Chart - CONVECTION CAVITY</b>					
<b>FOOD AND THICKNESS</b>	<b>RACK POSITION</b>	<b>BROIL SETTING °F (°C)</b>	<b>INTERNAL TEMP. °F (°C)</b>	<b>TIME SIDE 1 (MIN.)*</b>	<b>TIME SIDE 2 (MIN.)*</b>
<b>BEEF STEAK (1-½" OR MORE)</b>					
Medium rare	4	450 (235)	145 (65)	9 - 12	8 - 10
Medium	4	450 (235)	160 (71)	11 - 13	10 - 12
Well	4	450 (235)	170 (77)	18 - 20	16 - 17
<b>HAMBURGERS (MORE THAN 1")</b>					
Medium	4	550 (290)	160 (71)	8 - 11	5 - 7
Well	4	550 (290)	170 (77)	11 - 13	8 - 10
<b>Poultry</b>					
Chicken Quarters	4	450 (235)	180 (82)	16 - 18	10 - 13
Chicken Halves	3	450 (235)	180 (82)	25 - 27	15 - 18
Chicken Breasts	4	450 (235)	170 (77)	13 - 15	9 - 13
<b>PORK</b>					
Pork Chops (1¼" or more)	4	450 (235)	160 (71)	12 - 14	11 - 13
Sausage - fresh	4	450 (235)	160 (71)	4 - 6	3 - 5

\* Broiling and convection broiling times are approximate and may vary slightly.

Cooking times are indicative and also depend on the thickness and the starting temperature of the meat before cooking.

<b>Convection Broil Chart - DOUBLE CONVECTION CAVITY</b>					
<b>FOOD AND THICKNESS</b>	<b>RACK POSITION</b>	<b>BROIL SETTING °F (°C)</b>	<b>INTERNAL TEMP. °F (°C)</b>	<b>TIME SIDE 1 (MIN.)*</b>	<b>TIME SIDE 2 (MIN.)*</b>
<b>BEEF STEAK (1-½" OR MORE)</b>					
Medium rare	4	450 (235)	145 (65)	11 - 13	10 - 12
Medium	4	450 (235)	160 (71)	15 - 17	13 - 15
Well	4	450 (235)	170 (77)	16 - 18	13 - 15
<b>HAMBURGERS (MORE THAN 1")</b>					
Medium	4	550 (290)	160 (71)	9 - 11	5 - 8
Well	4	550 (290)	170 (77)	11 - 13	8 - 10
<b>Poultry</b>					
Chicken Quarters	4	450 (235)	180 (82)	18 - 20	13 - 15
Chicken Halves	3	450 (235)	180 (82)	25 - 27	15 - 18
Chicken Breasts	4	450 (235)	170 (77)	14 - 16	10 - 14
<b>PORK</b>					
Pork Chops (1¼" or more)	4	450 (235)	160 (71)	13 - 15	12 - 14
Sausage - fresh	4	450 (235)	160 (71)	4 - 6	3 - 5

\* Broiling and convection broiling times are approximate and may vary slightly.

Cooking times are indicative and also depend on the thickness and the starting temperature of the meat before cooking.

- Dehydrating can be done using the a lower temperature is used and the circulating heated air slowly removes the moisture for food preservation.
- Choose convection bake as the heating mode when dehydrating
- The Dehydrate temperatures recommended are 120°F (50°C) to 160°F (70°C).
- Multiple racks can be used simultaneously.
- Some foods require as much as 14-15 hours of time to fully dehydrate.
- Consult a food preservation book for specific times and the handling of various foods.
- This method is suitable for a variety of fruits, vegetables, herbs and meat strips.
- Drying screens can be purchased at specialty kitchen shops.
- By using paper towels, some food moisture can be absorbed before dehydrating begins (such as with sliced tomatoes or sliced peaches).

Dehydrate Chart			
FOOD	PREPARATION	APPROXIMATE DRYING TIME* (hrs)	TEST FOR DONENESS
<b>FRUIT</b>			
<b>Apples</b>	Dipped in ¼ cup lemon juice and 2 cups water, ¼ slices	11 - 15	Slightly pliable
<b>Bananas</b>	Dipped in ¼ cup lemon juice and 2 cups water, ¼ slices	11 - 15	Slightly pliable
<b>Cherries</b>	Wash and towel dry. For fresh cherries, remove pits	10 - 15	Pliable, leathery, chewy
<b>Oranges Peels and slices</b>	¼ slices of orange; orange part of skin thinly peeled from oranges	Peels: 2 - 4	Orange peel: dry and brittle
		Slices: 12 - 16	Orange slices: skins are dry and brittle, fruit is slightly moist
<b>Pineapple rings</b>	Towel dried	Canned: 9 - 13 Fresh: 8 - 12	Soft and pliable
<b>Strawberries</b>	Wash and towel dry. Sliced ½" thick, skin (outside) down on rack	12 - 17	Dry, brittle
<b>VEGETABLE</b>			
<b>Peppers</b>	Wash and towel dry. Remove membrane of pepper, coarsely chopped about 1" pieces	16 - 20	Leathery with no moisture inside
<b>Mushrooms</b>	Wash and towel dry. Cut of stem end. Cut into 1/8" slices	7 - 12	Tough and leathery, dry
<b>Tomatoes</b>	Wash and towel dry. Cut this slices, 1/8" thick, dry well	16 - 23	Dry, brick red color
<b>HERBS</b>			
<b>Oregano, sage parsley and thyme, and fennel</b>	Rinse and dry with paper towel	Dry at 120°F (60°C) 3 - 5	Crisp and brittle
<b>Basil</b>	Use basil leaves 3 to 4 inches from top. Spray with water, shake off moisture and pat dry	Dry at 120°F (60°C) 3 - 5	Crisp and brittle

## EN 17 - Broil Tips and Techniques

- Place rack in the required position needed before turning on the oven.
- Use Broil mode with the oven door closed.
- Preheat oven for 5 minutes before use.
- Use the 2-piece broil pan.
- Turn meats once halfway through the cooking time (see convection broil chart).

Broil Chart						
FOOD AND THICKNESS	RACK POSITION	BROIL SETTING	INTERNAL TEMP. °F (°C)		TIME SIDE 1 (MIN.)*	TIME SIDE 2 (MIN.)*
<b>BEEF</b>						
<b>Steak (3/4"-1")</b>						
Medium rare	5	5	145	(63)	5 - 7	4 - 4
Medium	5	5	160	(71)	6 - 8	5 - 7
Well	5	5	170	(77)	8 - 10	7 - 9
<b>HAMBURGERS (3/4"-1")</b>						
Medium	4	5	160	(71)	8 - 11	6 - 9
Well	4	5	170	(77)	10 - 3	8 - 10
<b>Poultry</b>						
Breast (bone-in)	4	4	170	(77)	0 - 2	8 - 10
Thigh (very well done)	4	3	180	(82)	28 - 30	13 - 15
<b>PORK</b>						
Pork Chops (1")	5	5	160	(71)	7 - 9	5 - 7
Sausage - fresh	5	5	160	(71)	5 - 7	3 - 5
Ham Slice (1/2")	5	5	160	(71)	4 - 6	3 - 5
<b>SEAFOOD</b>						
Fish Filets, 1"			Cook until opaque & flakes easily with fork			
Buttered	4	4			10 - 14	Do not turn
<b>LAMB</b>						
Chops (1")						
Medium Rare	5	5	145	(63)	5 - 7	4 - 6
Medium	5	5	160	(71)	6 - 8	4 - 6
Well	5	5	170	(77)	7 - 9	5 - 7
<b>BREAD</b>						
Garlic Bread, 1" slices	4	5			2 - 2.30	
Garlic Bread, 1" slices	3	5			4 - 4	

\* Broiling and convection broiling times are approximate and may vary slightly. Cooking times are indicative and also depend on the thickness and the starting temperature of the meat before cooking.

Food Service Temperature Guidelines from FSIS (USDA food Safety & Inspection Service)			
<b>140°F (60°C)</b>	Ham, precooked (to Reheat)	<b>165°F (74°C)</b>	Stuffing (cooked alone or in bird)
<b>145°F (63°C)</b>	Fresh beef, Veal, Lamb (medium rare)		Leftovers & Casseroles
<b>160°F (71°C)</b>	Ground Meat & Meat mixtures (Beef, Pork, Veal Lamb)	<b>170°F (77°C)</b>	Fresh beef, Veal, Lamb (well done)
	Fresh beef, Veal, Lamb (medium)		Poultry breast
	Fresh Pork (medium)		Fresh Pork (well done)
	Fresh Ham (raw)	<b>180°F (82°C)</b>	Chicken and Turkey (Whole)
Egg Dishes	Poultry (thighs and wings)		
<b>165°F (74°C)</b>	Ground Meat & Meat mixtures (Turkey, Chicken)		Duck and Goose

With either Bake or Convection Bake, poor results can occur for many reasons other than a malfunction of the oven. Check the chart below for causes of the most common problems. Since the size, shape and material of baking utensils directly affect the baking results, the best solution may be to replace old baking utensils that have darkened and warped with age and use.

Check the Baking Charts from Page 17 to 24 for the correct rack position and baking time.

BAKING PROBLEM	CAUSE
<b>Food browns unevenly</b>	<ul style="list-style-type: none"> <li>- Oven not preheated</li> <li>- Aluminum foil on oven rack or oven bottom</li> <li>- Baking utensil too large for recipe</li> <li>- Pans touching each other or oven walls</li> </ul>
<b>Food too brown on bottom</b>	<ul style="list-style-type: none"> <li>- Oven not preheated</li> <li>- Using glass, dull or darkened metal pans</li> <li>- Incorrect rack position</li> <li>- Pans touching each other or oven walls</li> </ul>
<b>Food is dry or has shrunk excessively</b>	<ul style="list-style-type: none"> <li>- Oven temperature too high</li> <li>- Baking time too long</li> <li>- Oven door opened frequently</li> <li>- Pan size too large</li> </ul>
<b>Food is baking or roasting too slowly</b>	<ul style="list-style-type: none"> <li>- Oven temperature too low</li> <li>- Oven not preheated</li> <li>- Oven door opened frequently</li> <li>- Tightly sealed with aluminum foil</li> <li>- Pan size too small</li> </ul>
<b>Pie crusts do not brown on bottom or have soggy crust</b>	<ul style="list-style-type: none"> <li>- Baking time not long enough</li> <li>- Using shiny steel pans</li> <li>- Incorrect rack position</li> <li>- Oven temperature is too low</li> </ul>
<b>Cakes pale, flat and may not be done inside</b>	<ul style="list-style-type: none"> <li>- Oven temperature too low</li> <li>- Incorrect baking time</li> <li>- Cake tested too soon</li> <li>- Oven door opened too often</li> <li>- Pan size may be too large</li> </ul>
<b>Cakes high in middle with crack on top</b>	<ul style="list-style-type: none"> <li>- Baking temperature too high</li> <li>- Baking time too long</li> <li>- Pans touching each other or oven walls</li> <li>- Incorrect rack position</li> <li>- Pan size too small</li> </ul>
<b>Pie crust edges too brown</b>	<ul style="list-style-type: none"> <li>- Oven temperature too high</li> <li>- Edges of crust too thin</li> </ul>

The Special Features function can be used to select the following special oven features:

1. **SAB** → **SABBATH MODE**  
(for religious faiths with “no work” requirements on the Sabbath).
2. **OFS** → **OVEN OFFSET**  
(used to calibrate the oven temperature).
3. **DEG** → **°UNIT**  
(used to select Fahrenheit or Celsius for the display).
4. **HR** → **CLOCK FORMAT**  
(used to set the time of day format as 12:00 AM/PM or 24:00. 12 hour format is default ).
5. **SET** → **PRESET TEMPERATURE**  
(it’s possible to save the standard preset temperature per every cooking mode or to keep in memory the last used temperature).

**To select special features, follow the steps below:**

- Touch and hold **MENU** and **TIME** keys for at least 3 seconds. Clock time disappears and the following display is shown:



- Touch the **+** or the **-** key to scroll all available options described above, until the desired one is found.
- Touch **MENU** key to edit the selected options.
- Change the value by means of **+** or **-** keys.



- In a double oven it’s possible to set a different offset in each cavity. Select the cavity with **SMALL/LARGE** key.
- Touch the **MENU** key to confirm the option and go back to the selection menu or press and hold the MENU key for 3 second to quit the User Option Menu and go back to the clock original screen.

**ATTENTION**

**SET USER function:**

Once this choice has been set, the oven will memorize the new preset temperature at each cooking over 5 minutes. If there are more temperature changes, the last one over 5 minutes is stored.

(excluding the Grill, and low temperature functions).

**AUTO STD function:**

Once this choice has been set, all the preset temperatures are fixed (if they have been changed in SET USER, otherwise they remain unchanged) and they cannot be changed until you return to SET USER.

- Enter the user option menu holding **MENU** and **TIME** keys for 3 seconds. Scroll the option list (DEG, OFS, HR, SAB), shown by the temperature module, by pressing **+** / **-**, until Sabbath item is found.



- Touch **MENU** to enter edit mode: the selected item switches to the digits on the left and its status in the digits field starts blinking.
  - Touch again **+** / **-** keys to set Sabbath mode ON or OFF (Default=OFF). Touch **MENU** to confirm and come back to the option list. Hold **MENU** key for 3 seconds to quit the selection menu and go back to normal operations.
  - Once Sabbath mode is set, only BAKE and OFF positions are available in the cooking mode selector. Move the selector to BAKE then set the temperature to the desired value within 5 minutes.
  - After 5 minutes, the temperature cannot be shown any more and the display appears as below: Sabbath mode is active.
  - In a double oven, the small/large cavity indications are still available. Both triangle are on if both cavities are working.
- Oven lights status cannot be changed during Sabbath time.
  - Oven temperature can only be lowered but no information can be displayed.
  - The cooling fan must run in Sabbath mode.
  - Preheat lights are inhibited during Sabbath mode.
  - The buzzer must always be silent, regardless of any fault, end of activity, etc.
  - The meat probe can never be used in Sabbath mode.
  - Maximum allowed cooking time must be 72 hours.
  - The user is allowed to stop the oven manually, also during Sabbath, moving the cooking mode selector to OFF position.

## Self-Cleaning the Oven

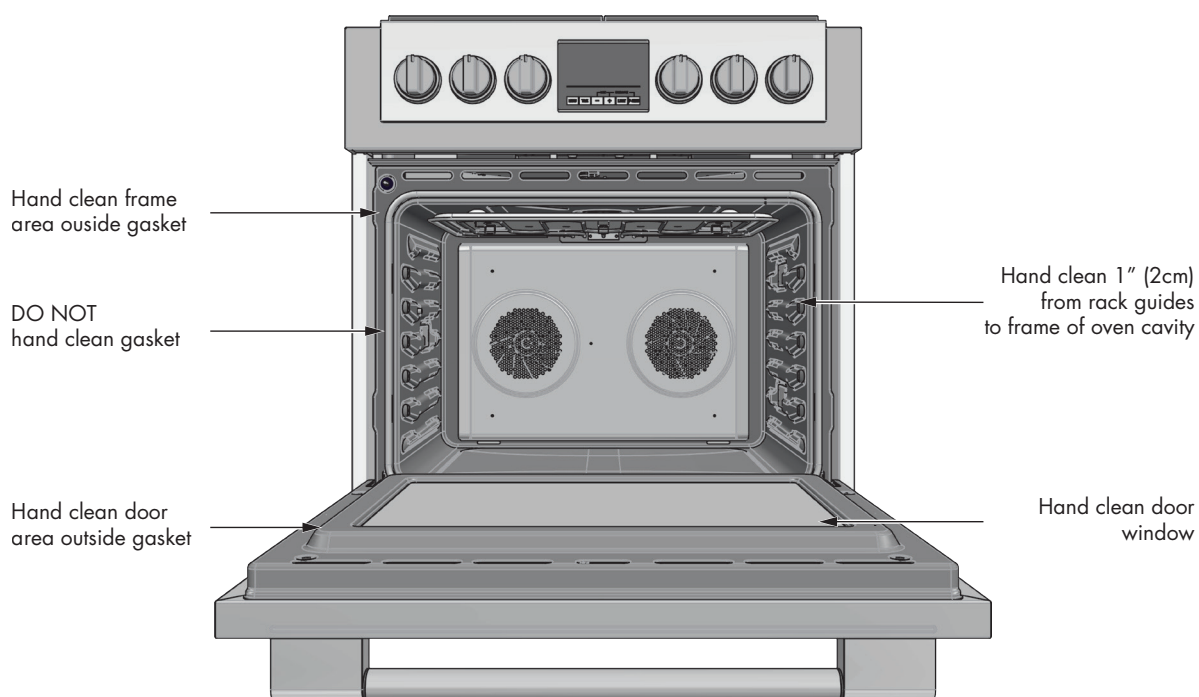
This oven features a pyrolytic self-cleaning function that eliminates the difficult and time consuming manual scrubbing of the oven interior. During self-cleaning, the oven uses a very high temperature (approx. 885°F/470°C) to burn away food soil and grease.

- Do not use the cooktop during the oven self cleaning cycle.
- Only one oven at a time can be set to Self-Clean.
- It is common to see smoke and/or an occasional flame-up during the Self-Clean cycle, depending on the content and amount of soil remaining in the oven. If a flame persists, turn off the oven and allow it to cool before opening the door to wipe up the excessive food soil.
- The door latch is automatically activated after selecting the Self-Clean cycle. The "AUTO LOCK" text will appear in the display. This ensures that the door cannot be opened while the oven interior is at cleaning temperatures.
- The oven light does not operate during this mode.
- During Self-Clean, the kitchen should be well ventilated to help eliminate odors associated with Self-Clean. Odors will lessen with use.
- Three hours is the preset length of cleaning.
- The mode automatically stops at the end of the preset time.
- When the oven heat drops to a safe temperature, the automatic door lock will release and the door can be opened.

## Preparing the Oven for Self-Clean

1. Remove all utensils and bake ware.
2. Remove non-porcelain oven racks. If chromed racks are left in the oven during the self-clean cycle, they will permanently lose the shiny finish and change to a dull dark finish. See Oven Cleaning Chart for proper care, Page 41.
3. Wipe up any soft soil spills and grease with paper towels. Excess grease will cause flames and smoke inside the oven during self-cleaning.
4. Review illustration below. Some areas of the oven must be cleaned by hand before the cycle begins. They do not get hot enough during the cleaning cycle for soil to burn away. Use a soapy sponge or plastic scrubber or a detergent-filled S.O.S.® pad. Hand-clean the oven door edge, oven front frame and up to 1-½ " (2-3 cm) inside the frame with detergent and hot water. Do not rub the gasket on oven. Clean the interior of the oven door window by hand. The Rinse all areas thoroughly then dry.
5. Be sure oven interior lights are turned off and the light bulbs and lens covers are in place. See page 31.

### CLEANING THE OVEN





## To Set the Self-Clean Mode

1. Touch **SMALL/LARGE** key to select the cavity to be cleaned, if the oven is a double.



### IMPORTANT

2. First turn the function knob counterclockwise from OFF to SELF-CLEAN, then the temperature knob always counterclockwise, from PRESET to SELF-CLEAN. Any other knob rotation sequence will not allow the SELF-CLEAN program to start.

3. CLEAN & TIME appear.
4. The clean time is displayed automatically, its standard value is 3 hours.
6. At the end of the programmed cleaning time, the oven will automatically turn off.
6. To stop the cleaning mode at any moment, move one of the two knobs from the cleaning position.

Do not attempt to open the door while the door is locked. The "AUTO LOCK" text will flash until the motor stops. When the text is displayed, the door cannot be opened. Check that the door has been locked and will not open before starting the Self-Clean mode.

If door does not lock, rotate the cooking mode knob into the OFF position and do not start self-clean; contact service.

If the door is in the open position when this mode is selected, the "AUTO LOCK" text will flash until the door is closed. The latch will not move until the door is closed. Do not attempt to reopen the door while the latch is in motion as you could damage the mechanism.

## To Change the Cleaning Time

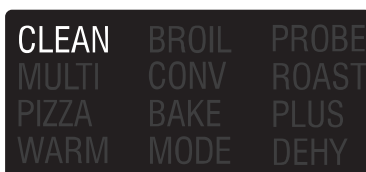
1. To change the setting from 3 hours, select either 2 hours for light soil or 4 hours for heavy soil immediately before starting.
2. To change the hours, touch the **TIME** key.

3. The hours will flash.
4. Use **+** or **-** keys to change the value.
5. To change the minutes, touch the **TIME** key again.
6. The minutes will flash.
7. Use **+** or **-** keys to change the value. Hold the key to change by 10 minute increments.
8. Touch **TIME** or wait a few seconds to confirm the new value.

## To Delay the Start of Cleaning

1. Follow steps 1 through 7 above.
2. Touch the **TIME** key and verify that "STOP TIME" appears on the display. The hours will begin flashing.
3. Use **+** or **-** keys to change the stop time value.
4. To change the minutes, touch the **TIME** key, the minutes will flash.
5. Use **+** or **-** keys to change the value. Hold the key to change by 10 minutes increments.
6. Touch **TIME** or wait a few seconds to confirm the new value.
7. The latch starts moving to lock the oven door, the display shows "DELAY".
8. When the delay time expires, self-cleaning will start.
9. At the end of the programmed cleaning time, the oven will automatically turn off.
10. "End" will appear on the temperature display, "CLEAN" on the mode display and "TIME" on the clock display will start flashing until the **TIME** key is touched or the knob is moved to the OFF position.

In order to check the cleaning or the stop time during a delayed clean, simply touch the **TIME** key until "TIME" or "STOP TIME" writings are displayed.



**⚠ ATTENTION**

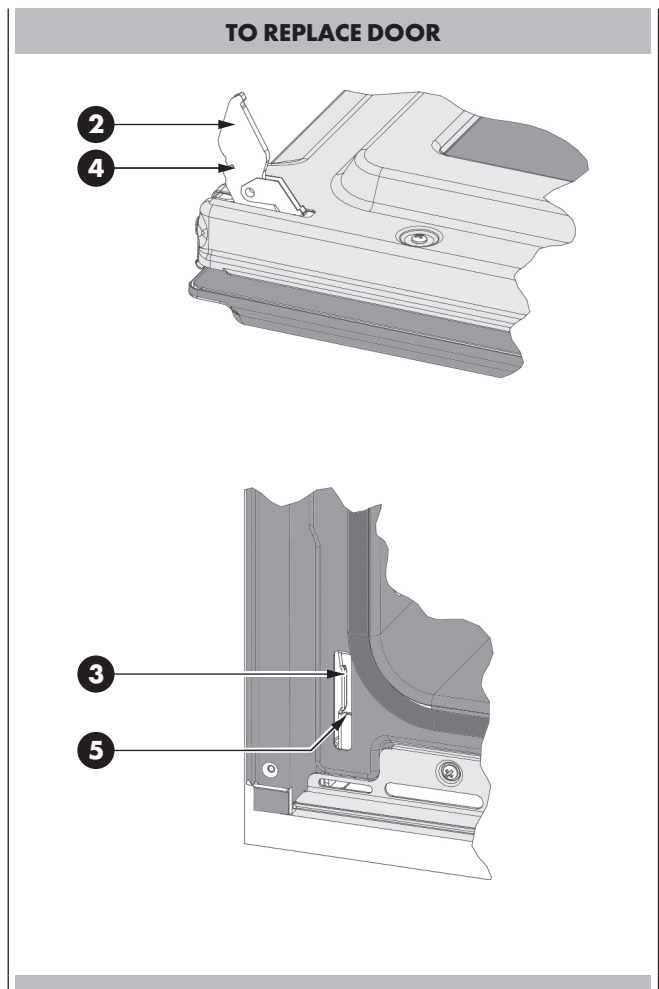
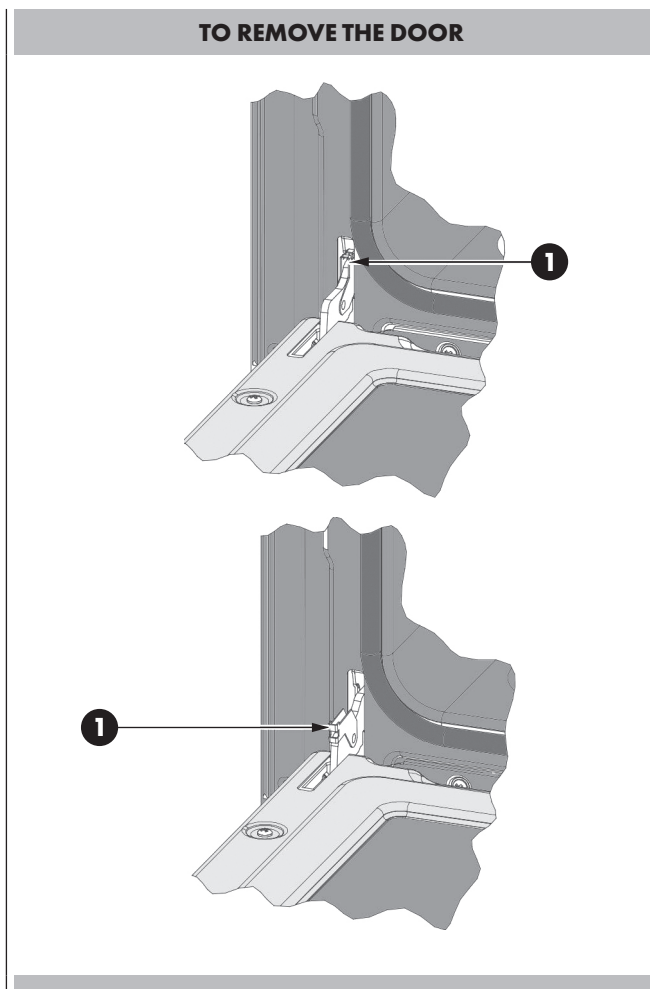
- Make sure oven is cool and power to the oven has been turned off before removing the door. Failure to do so could result in electrical shock or burns.
- The oven door is substantial. Use both hands to remove the oven door. The door front is glass of which there are 4 panes.
- Handle carefully to avoid breakage.
- Grasp only the sides of the oven door. Do not grasp the handle as it may swing in your hand and cause damage or injury.
- Failure to grasp the oven door firmly and properly could result in personal injury or product damage.

**To Remove Door**

1. Open the door completely.
2. Flip the hinge security clip on each hinge towards you (1).
3. Hold the door firmly on both sides using both hands and close the door until you feel it stop at the security clip.
4. Hold firmly; the door is heavy. Lift and pull towards you - you may have to play with it a little to feel the hinges disengage from the oven frame.
5. Place the door in a convenient location.

**To Replace Door**

1. Insert the upper arms (2) of both hinges into the slots (3). The recesses (4) must hook on the lips (5).
2. Move the hinge security clips (1) back into position. If the security clips cannot be easily moved back to their normal operating position, ie. the clips hit the frame, then the door is not correctly seated. Bring the security clips back out and try to reseat the door - you will feel it clip in / drop slightly when the hinges engage the frame correctly.
3. Close and open the door slowly to assure that it is correctly and securely in place.



- Each oven is equipped with three halogen lights located in the lateral walls of the oven.
- The lights are switched on when the door is opened or when the oven is in a cooking cycle.
- The oven lights are not illuminated during SELF- CLEAN.
- Each light assembly consists of a removable lens, a light bulb as well as a light socket housing that is fixed in place. See figure on this page.
- Light bulb replacement is considered to be a routine maintenance item.

### To Replace a Light Bulb

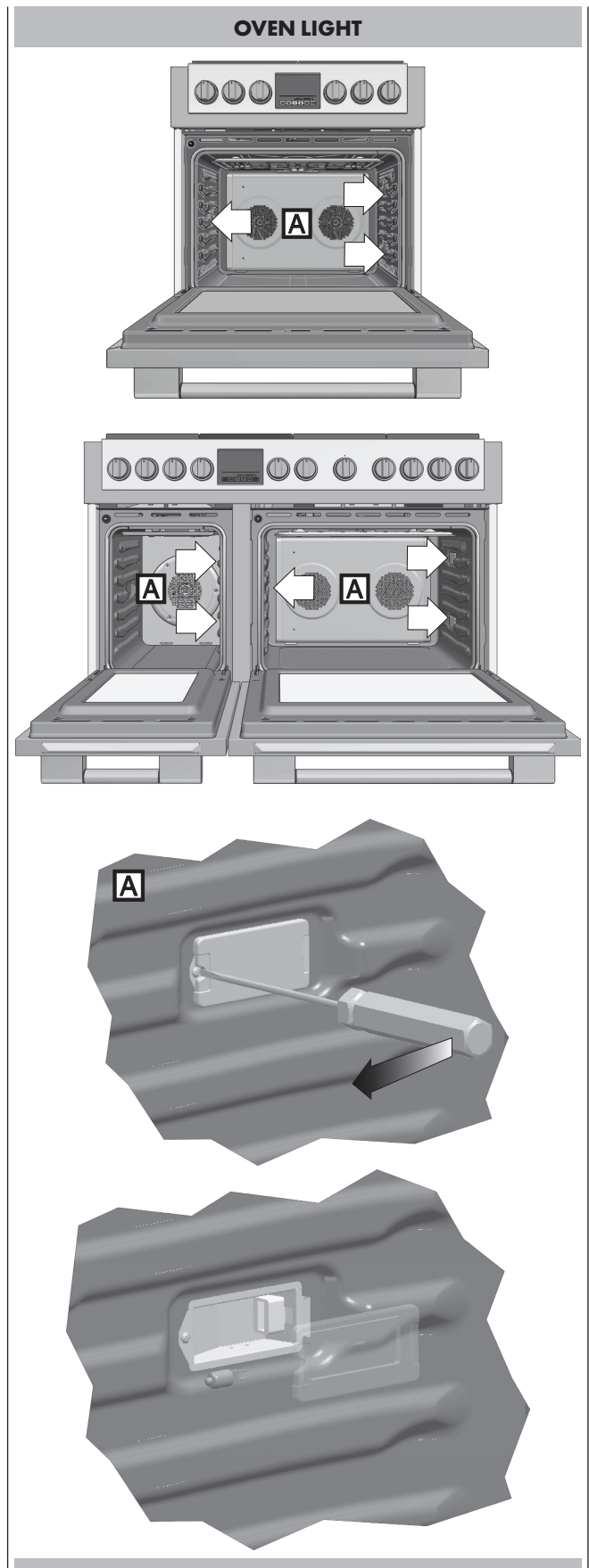
1. Read WARNING on this page.
2. Turn off power at the main power supply (fuse or breaker box).
3. Remove the lens between screw and glass using a screw driver.
4. Remove the light bulb from its socket by pulling it.
5. Replace the bulb with a new one. Avoid touching the bulb with fingers, as oils from hands can damage the bulb when it becomes hot.
6. The bulb is halogen: use one with the same type checking Voltage and Wattage.
7. Place the lens back on.
8. Replace the rack supports if provided is provided with the oven model.

Turn power back on at the main power supply (fuse or breaker box).

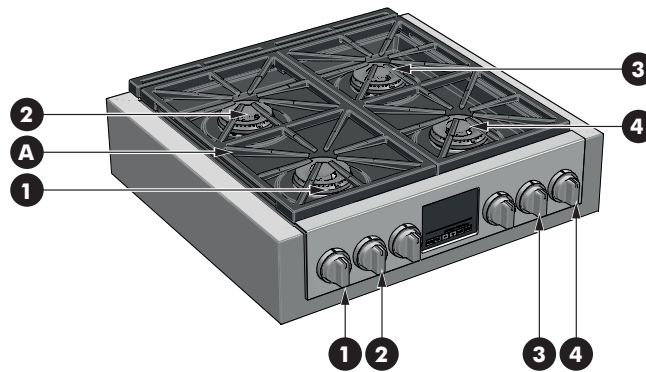


### WARNING

- Make sure the oven and lights are cool and power to the oven has been turned off before replacing the light bulb(s). Failure to do so could result in electrical shock or burns.
- The lenses must be in place when using the oven.
- The lenses serve to protect the light bulb from breaking.
- The lenses are made of glass. Handle carefully to avoid breakage. Broken glass could cause an injury.



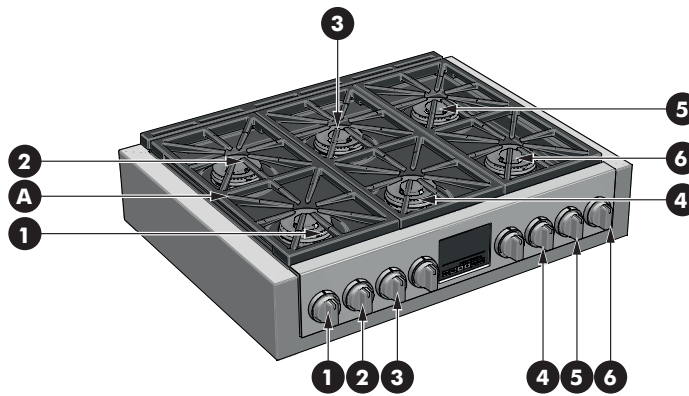
**COOKTOP 30"**



**A - Grates**

BURNER OUTPUT RATINGS: BTU/HR MODEL 30"	NG (Natural) Gas, 5" W.C.P	LP (Propane) Gas, 10" W.C.P.
<b>1 DOUBLE CROWNS (burner &amp; knob)</b>	750 to 18000 Btu/h (220 to 5300W)	750 to 15000 Btu/h (220 to 4400W)
<b>2 DOUBLE CROWNS (burner &amp; knob)</b>	750 to 18000 Btu/h (220 to 5300W)	750 to 15000 Btu/h (220 to 4400W)
<b>3 DOUBLE CROWNS (burner &amp; knob)</b>	750 to 18000 Btu/h (220 to 5300W)	750 to 15000 Btu/h (220 to 4400W)
<b>4 DOUBLE CROWNS (burner &amp; knob)</b>	750 to 20000 Btu/h (220 to 5850W)	750 to 15000 Btu/h (220 to 4400W)

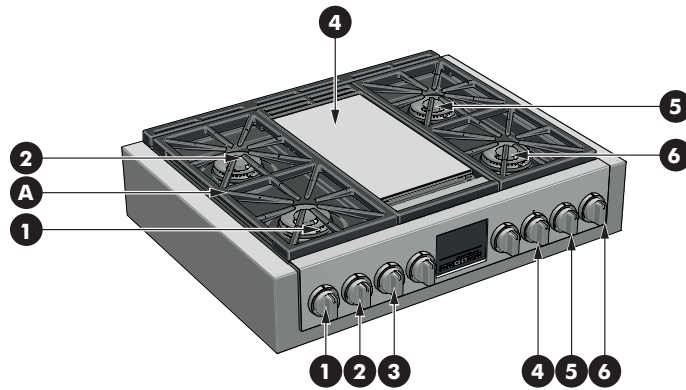
**COOKTOP 36"**



**A - Grates**

BURNER OUTPUT RATINGS: BTU/HR MODEL 36"	NG (Natural) Gas, 5" W.C.P	LP (Propane) Gas, 10" W.C.P.
<b>1 DOUBLE CROWNS (burner &amp; knob)</b>	750 to 20000 Btu/h (220 to 5850W)	750 to 15000 Btu/h (220 to 4400W)
<b>2 DOUBLE CROWNS (burner &amp; knob)</b>	750 to 18000 Btu/h (220 to 5300W)	750 to 15000 Btu/h (220 to 4400W)
<b>3 DOUBLE CROWNS (burner &amp; knob)</b>	750 to 18000 Btu/h (220 to 5300W)	750 to 15000 Btu/h (220 to 4400W)
<b>4 DOUBLE CROWNS (burner &amp; knob)</b>	750 to 18000 Btu/h (220 to 5300W)	750 to 15000 Btu/h (220 to 4400W)
<b>5 DOUBLE CROWNS (burner &amp; knob)</b>	750 to 18000 Btu/h (220 to 5300W)	750 to 15000 Btu/h (220 to 4400W)
<b>6 DOUBLE CROWNS (burner &amp; knob)</b>	750 to 20000 Btu/h (220 to 5850W)	750 to 15000 Btu/h (220 to 4400W)

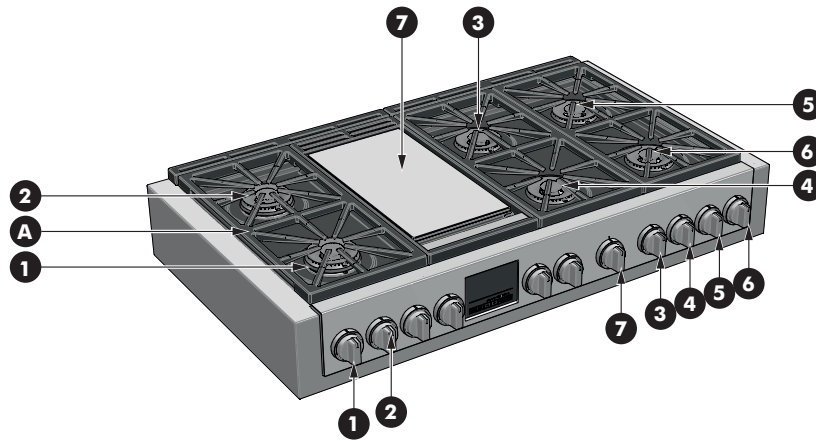
**COOKTOP 36" GRIDDLE**



**A - Grates**

BURNER OUTPUT RATINGS: BTU/HR MODEL 48"	NG (Natural) Gas, 5" W.C.P	LP (Propane) Gas, 10" W.C.P.
<b>1 DOUBLE CROWNS (burner &amp; knob)</b>	750 to 20000 Btu/h (220 to 5850W)	750 to 15000 Btu/h (220 to 4400W)
<b>2 DOUBLE CROWNS (burner &amp; knob)</b>	750 to 18000 Btu/h (220 to 5300W)	750 to 15000 Btu/h (220 to 4400W)
<b>3 MINUTE MINDER (knob)</b>	See Knob of minute minder, page 39	
<b>4 GRIDDLE (burner &amp; knob)</b>	11500 Btu/h (3370W)	11500 Btu/h (3370W)
<b>5 DOUBLE CROWNS (burner &amp; knob)</b>	750 to 18000 Btu/h (220 to 5300W)	750 to 15000 Btu/h (220 to 4400W)
<b>6 DOUBLE CROWNS (burner &amp; knob)</b>	750 to 20000 Btu/h (220 to 5850W)	750 to 15000 Btu/h (220 to 4400W)

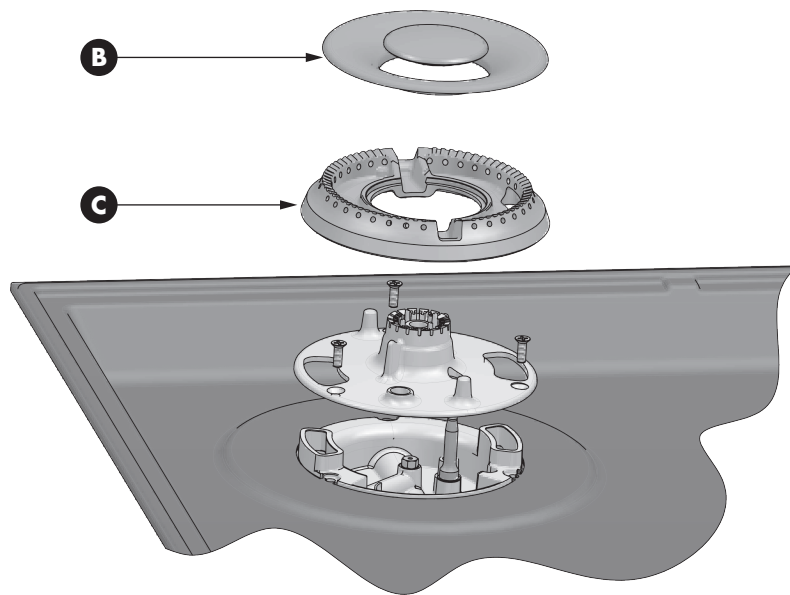
**COOKTOP 48" GRIDDLE**



**A - Grates**

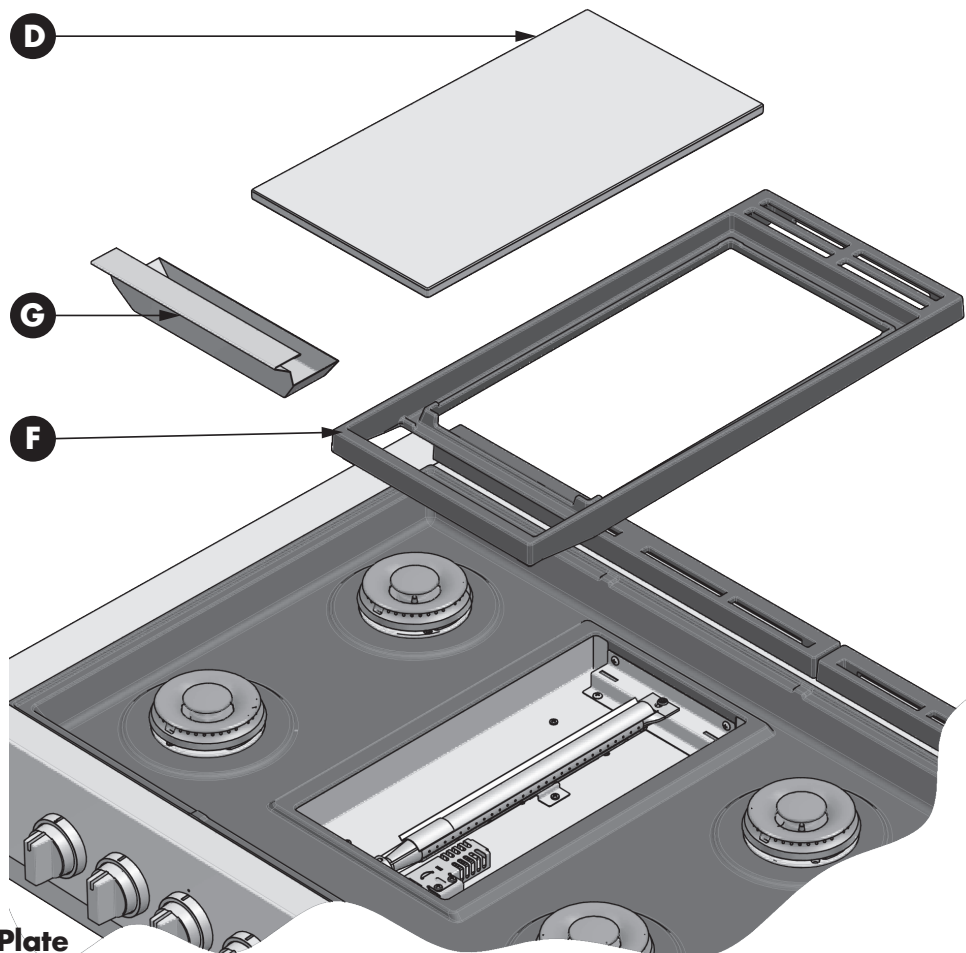
BURNER OUTPUT RATINGS: BTU/HR MODEL 48"	NG (Natural) Gas, 5" W.C.P	LP (Propane) Gas, 10" W.C.P.
<b>1 DOUBLE CROWNS (burner &amp; knob)</b>	750 to 20000 Btu/h (220 to 5850W)	750 to 15000 Btu/h (220 to 4400W)
<b>2 DOUBLE CROWNS (burner &amp; knob)</b>	750 to 18000 Btu/h (220 to 5300W)	750 to 15000 Btu/h (220 to 4400W)
<b>3 DOUBLE CROWNS (burner &amp; knob)</b>	750 to 18000 Btu/h (220 to 5300W)	750 to 15000 Btu/h (220 to 4400W)
<b>4 DOUBLE CROWNS (burner &amp; knob)</b>	750 to 18000 Btu/h (220 to 5300W)	750 to 15000 Btu/h (220 to 4400W)
<b>5 DOUBLE CROWNS (burner &amp; knob)</b>	750 to 18000 Btu/h (220 to 5300W)	750 to 15000 Btu/h (220 to 4400W)
<b>6 DOUBLE CROWNS (burner &amp; knob)</b>	750 to 20000 Btu/h (220 to 5850W)	750 to 15000 Btu/h (220 to 4400W)
<b>7 GRIDDLE (burner &amp; knob)</b>	11500 Btu/h (3370W)	11500 Btu/h (3370W)

## BURNER



- B - Burner Cap**
- C - Burner Gas Spreader**

## GRIDDLE

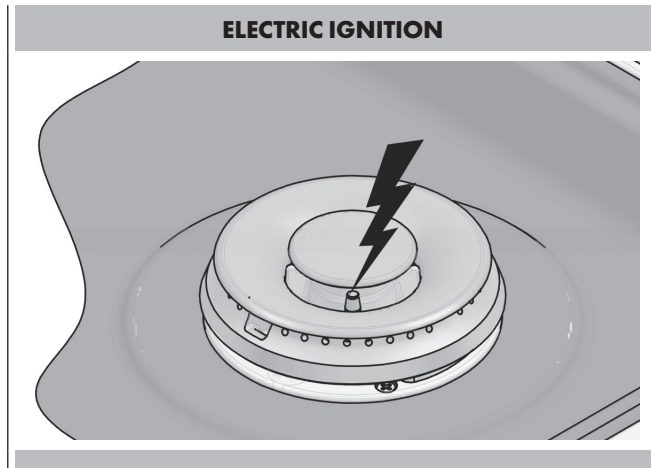


- D - Griddle Plate**
- G - Drip tray**
- F - Griddle Plate support**

## Gas Control Knob Setting

### Electric gas ignition

The gas burner use an electric ignition device located near each burner that ensures burner ignition.



### Models with automatic re-ignition

The electronic auto re-ignition, lights the surface burner when the corresponding control knob is turned at any valve rotation allows admits sufficient gas flow to support a flame. If any burner flame goes out due to a draft or other condition, the igniter automatically sparks on all burners to relight the flame.

**NOTE: this feature is provided as a convenience and is not intended as a safety feature.**

To set:

- Push and turn a knob counter clockwise to any setting, all spark plugs will generate a clicking sound (spark), however only the burner with the control knob adjusted to the HI-LO range will produce a flame and reignite automatically if the flame goes out.



### WARNING

- Do not operate a burner using empty cookware or without cookware on the grate.
- Do not touch the burner when the igniters are clicking (sparking).
- Do not let the burner flame extend beyond the edge of the pan.
- Turn off all controls when not cooking.

Failure to follow these instruction can result in personal injury or fire.

## Gas burners

The gas burners design of these cooktop models, allow a pleasing option for cooking where size, power and simmering are a primary concern.

### Burners with two flame rings

This special burner has two separate flame rings to provide a complete heat regulation from high power to simmering.

To set :

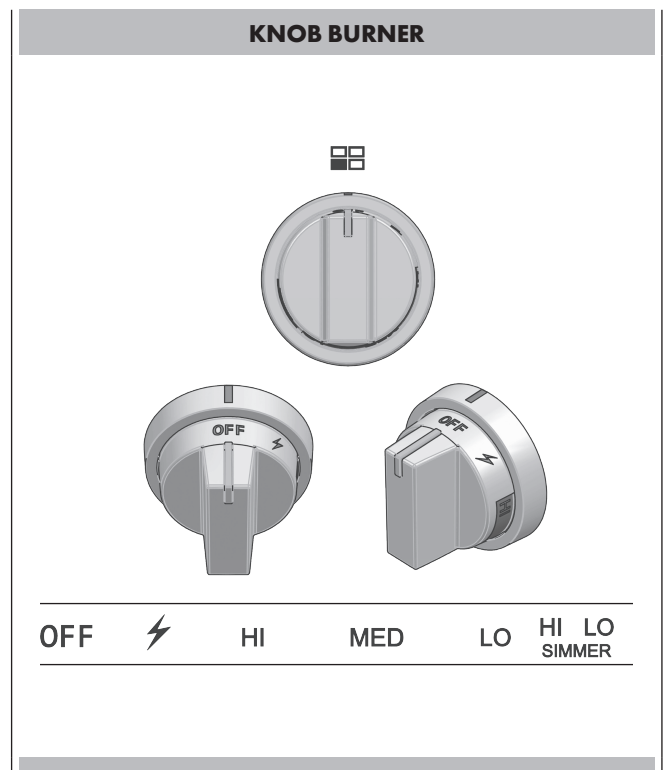
1. Push and turn the knob counter clockwise withing the main HI - LO range, when the burner is turned on, the main flame and the Simmer flame will both ignite and remain on.
2. Set desired temperature within the main HI - LO range.

### Simmer setting

Continue turning the knob counter-clockwise to the 'HI-LO SIMMER' range. The outer flame ring will go out and temperature adjustment can be made using the inner flame ring only.

### Turning off the burner

Turn the knob clockwise as far as it will go to the off position. Ensure flame extinguishes fully.



**The Burner Flames**

Turn each burner on. Flames should be blue in color with no trace of yellow. The burner flames should not flutter or blow away from the burner. The inner cone of the flame should be between 1/2" and 3/4" long.

**Super Sealed Surface Burners**

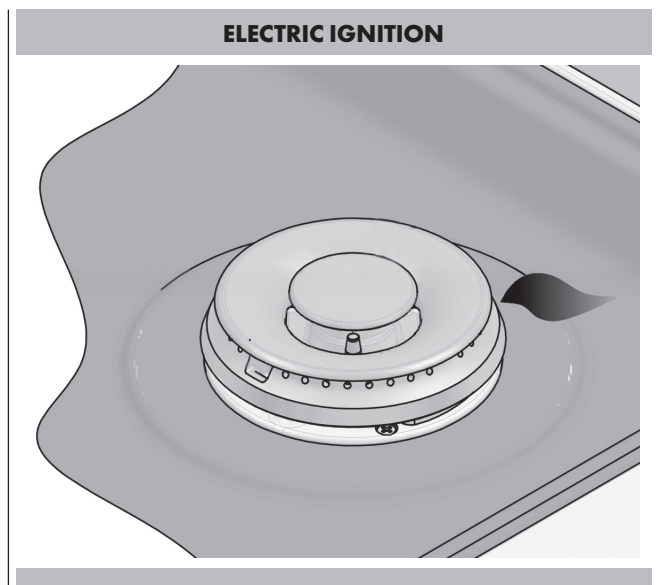
**! IMPORTANT**  
 Do not obstruct the flow of combustion and ventilation air around the burner grate edges.

**Burner cap and gas spreader**

Always keep the burner cap and gas spreader in place when using a surface burner. A clean burner cap and spreader will help prevent poor ignition and uneven flames. Always clean the parts after a spillover and routinely remove and clean according to the "General Cleaning" section.

**Burner base and injector**

Gas must flow freely throughout the injector orifice to light properly. Keep this area free of soil and do not allow spills, food, cleaning agents or any other material to enter the injector orifice opening. Protect it during cleaning.



**Be sure when lighting the burner:**

- Gas spreader is seated correctly and pin is properly aligned with burner base slot.
- Cap is seated correctly and pin is properly aligned with gas spreader slot.

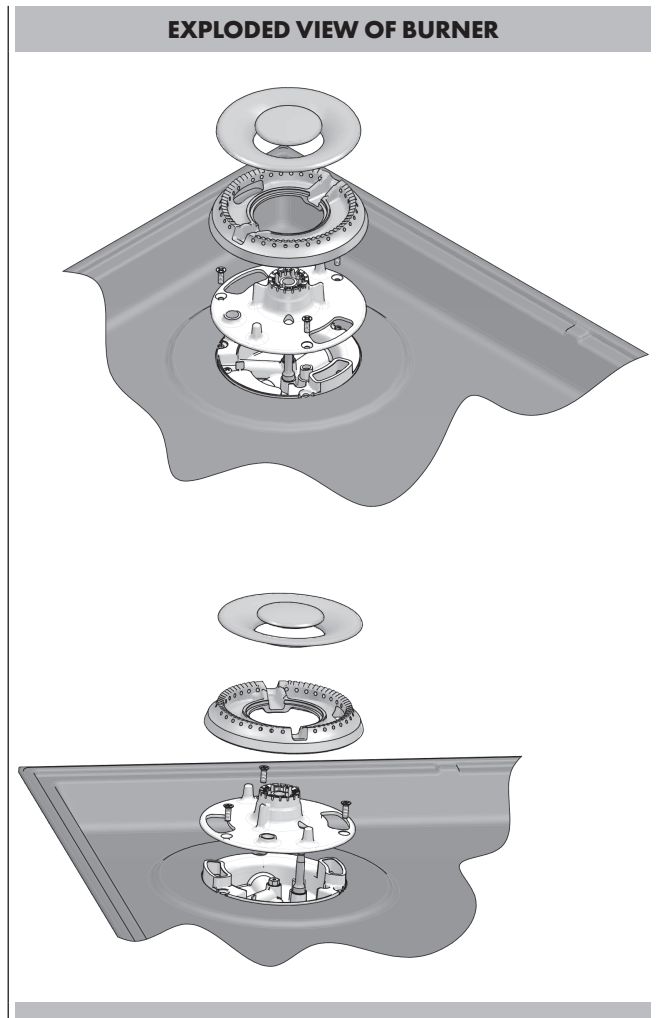
**Burner ports**

Check burner flames occasionally. A good flame is blue in color, not yellow. Keep this area free of soil and do not allow spills, food, cleaning agents or any other material to enter the burner ports.

**To Clean gas burner:**

**! IMPORTANT**  
 Before cleaning, make sure all controls are off and the cooktop is cool.

1. Remove the burner cap from the burner base and clean according to cleaning section.
2. Remove the burner spreader.  
 Clean the gas tube opening and burner port according to cleaning section.
3. Clean the burner base with a damp cloth (keep the gas injector area free of cleaning agents and any other material from entering the injector orifice).
4. Replace the burner spreader and cap, making sure the alignment pins are properly aligned with the slots.
5. Turn on the burner.  
 If the burner does not light, check cap and spreader alignment. If the burner still does not light, do not service the gas burner yourself.  
 Contact a trained repair specialist.





## Griddle

The griddle is thermostatically controlled to maintain a consistent temperature. As such, the gas flow / flame level may not directly correspond to knob rotation as it does with the other surface burners. Rather, the griddle knob sets a desired temperature and a thermostat controls the flow of gas to achieve / maintain that set temperature.

To prevent food from sticking, it is recommended to “season” the griddle prior to use.

## Seasoning the griddle

The griddle must be cleaned before first use. Use hot water and mild detergent to remove any manufacturing residues. Rinse and dry. Turn on the ventilation hood to first or second speed. Turn the griddle control knob to 350°F (175°C) and let the griddle heat for 30 minutes. After 30 minutes, turn the knob to OFF and allow to cool down to the point it is safe to touch. While the surface is slightly warm, pour a small amount of peanut or vegetable oil on a paper towel and spread evenly on the cooking surface of the griddle plate. Turn up the speed of your hood and then turn the griddle control knob to 350°F (175°C). Heat until the oil on the griddle begins to smoke, then turn the knob to OFF and allow to cool. Once cool, wipe off any excess oil.

## Griddle operation

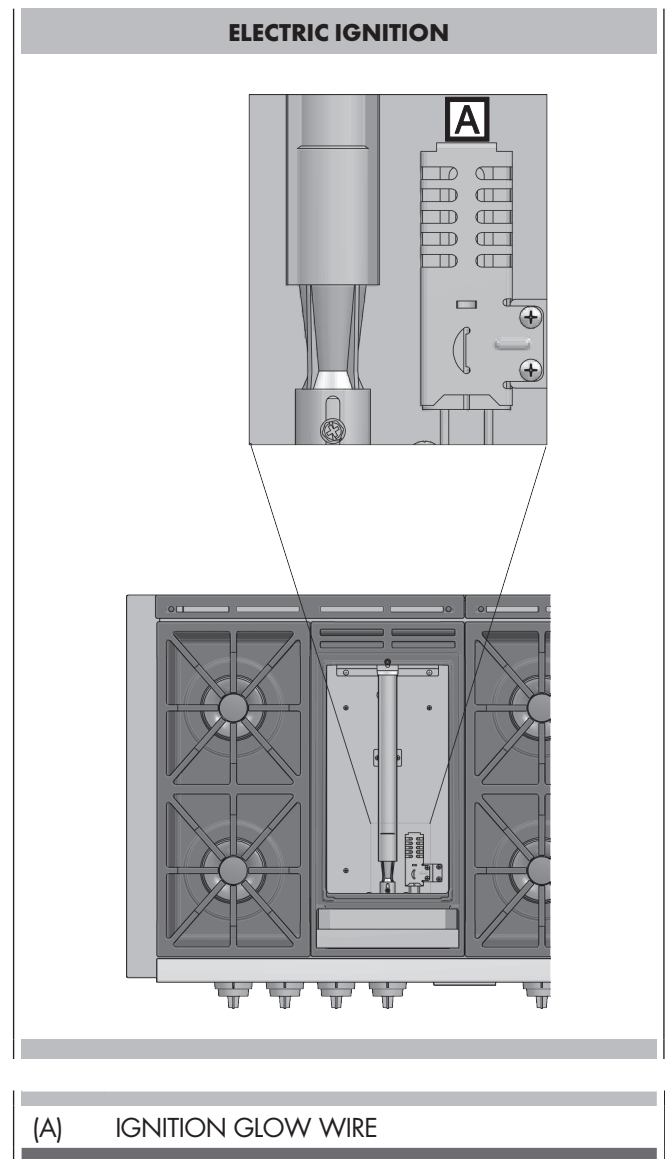
Turn on ventilation of the hood. Turn the griddle control knob to the desired temperature. The indicator light above the knob illuminates until the griddle reaches set temperature.

## Griddle care

Scrape grease from the griddle surface into the grease collection tray after each use. When the surface has cooled, wipe with a paper towel to remove excess grease or oil. After each use, reapply a small amount of peanut or vegetable oil on a paper towel and spread evenly. Occasionally remove the seasoning. Pour 1/2 cup (100 ml) warm water and 1 teaspoon (5 ml) griddle cleaner onto the griddle and scrape residue into the grease collection tray, then empty. Follow the directions of the griddle cleaner. When dry, reapply a small amount of oil for seasoning.

## Electric gas ignition

The griddle burner uses an electric glow wire located near burner that ensures burner ignition. It is thermostatically controlled to maintain a consistent temperature.



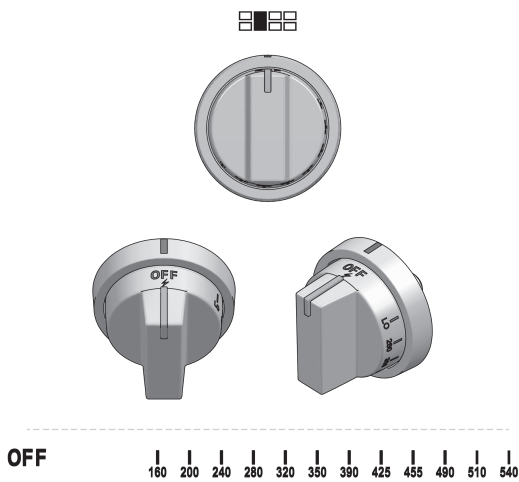
### To set:

- Turn the knob clockwise: the glow wire system will start and when it will be to the maximum glow, the burner will produce a flame.
- The griddle has a power “ON” light which glows when the griddle thermostat is turned on, and will switch it “OFF” when it will be to the selected temperature.

### Turning off the burner

Turn the knob clockwise as far as it will go to the off position. Ensure flame extinguishes fully.

**GRIDDLE BURNER KNOB**



**ATTENTION**

The range must be level for the griddle to operate properly.

**CAUTION**

- Do not overheat the griddle. This can damage the coating of the griddle.
- Do not use metal utensils that can damage the griddle surface.
- Always turn off when not in use or lower the heat between cooking loads.
- Do not use the griddle for other purposes, for example, as a cutting board or a storage shelf.
- Do not cook excessively greasy foods. The grease may spill over.
- The griddle may become very hot. Use oven gloves when placing or removing the griddle.
- Do not remove the griddle until the cooktop grates, surfaces, and griddle itself cool down.
- The griddle is quite heavy. Use both hands when placing or removing the griddle.

**Cooking Tips**

- Preheat the griddle plate for about 20 minutes, then set the desired temperature.
- Use liquid cooking oil, cooking sprays, or butter for eggs, pancakes, French toast, fish and sandwiches. This will help reduce sticking. (Only use fats/oils that can tolerate high temperature)
- Pat down wet food items with paper towel to prevent splatters during grilling.
- Remove food particles with a metal spatula during cooking to make the cleanup easier and to avoid including those particles in the food.

**Griddle Cooking Chart**

Food	°F	°C
Eggs	250 - 300	121 - 149
Bacon	325 - 350	163 - 177
Pancakes	375 - 450	191 - 232
French Toast	425	218
Fish Fillets	300	149
Vegetables	300	149
Burgers	350	177
Steaks	350	177

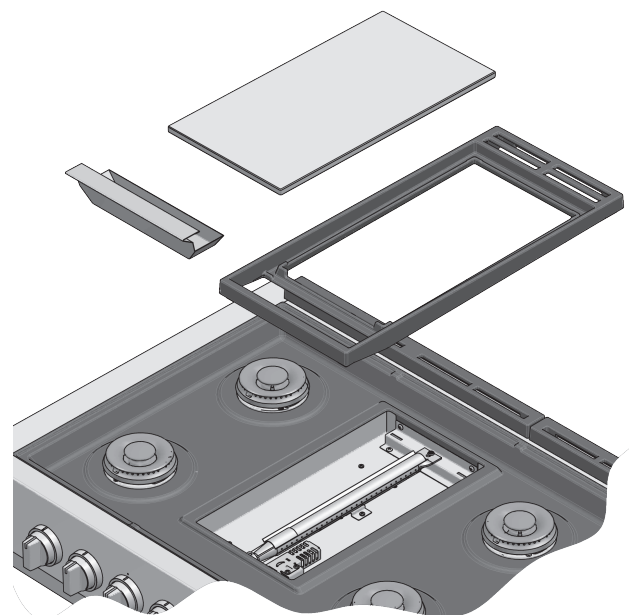
**IMPORTANT**

After each cooking make sure to empty and clean the drip pan and replace it in its proper place under the griddle. Before cleaning, make sure all controls are off and the griddle is cool.

1. Remove the griddle plate from the burner base and clean according to cleaning section.
2. In case Clean the burner box with a damp cloth (keep the gas injector and glow wire areas free of cleaning agents and any other material).
3. Replace the Griddle plate, paying attention to the correct position.
4. Turn on the burner.

If the burner does not light, wait a couple of minutes and repeat the operation. If the burner still does not light, do not service the gas burner yourself. Contact a trained repair specialist.

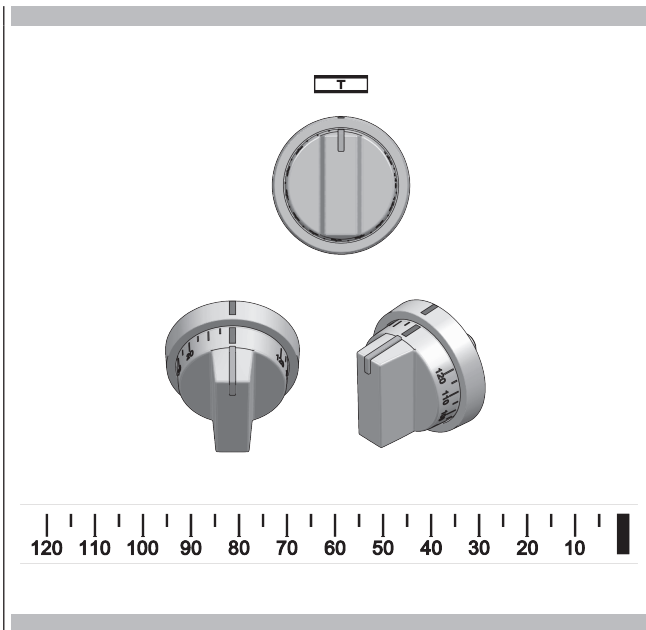
**EXPLODED VIEW OF BURNER GRIDDLE**



## Knob of minute minder

### (0 to 120 min)

By rotating knob to the full extent clockwise and bringing pointer on selected time indicated in minutes on the dashboard, the alarm will ring after the time set has elapsed (120 min. max.). During the operating of the clock, the relating knob will be returning gradually to "0" position with the passage of minutes and will indicate how long it should be waited for the completion of the time set.



**IMPORTANT:** Never leave empty cookware on a hot surface cooking area, element or surface burner.

Ideal cookware should have a flat bottom, straight sides, a well fitting lid and the material should be of medium-to-heavy thickness. Rough finishes may scratch the cooktop.

Aluminium and copper may be used as a core or base in cookware. However, when used as a base it can leave permanent marks on the cooktop or grates.

Cookware material is a factor in how quickly and evenly heat is transferred, which affects cooking results. A nonstick finish has the same characteristics as its base material.

For example, aluminium cookware with a non-stick finish will take on the properties of aluminium.

Use the following chart as a guide for cookware material characteristics.

**Cookware Characteristics**

**Aluminum:**

Heats quickly and evenly. Suitable for all types of cooking. Medium or heavy thickness is best for most cooking tasks.

**Cast Iron:**

Heats slowly and evenly. Good for browning and frying. Maintains heat for slow cooking.

**Ceramic or Ceramic glass:**

Follow manufacturer’s instructions. Heats slowly, but unevenly. Ideal results on low to medium heat settings.

**Copper:**

Heats very quickly and evenly.

**Earthenware:**

Follow manufacturer’s instructions. Use on low heat settings.

**Porcelain enamel on steel or cast Iron:**

See stainless steel or cast iron.

**Stainless steel:**

Heats quickly, but unevenly. A core or base of aluminium or copper on stainless steel provides even heating.

**Match Pan Diameter to Flame Size**

The flame should be the same size as the bottom of the pan or smaller. Do not use small pans with high flame settings as the flames can lick up the sides of the pan. Oversize pans that span two burners are placed front to rear, not side to side.

**Use Balanced Pans**

Pans must sit level on the cooktop grate without rocking. Center pan over burner.

**Use a Lid That Fits Properly**

A well-fitting lid helps shorten the cooking time. Flat, heavy bottom pans provide even heat and stability.

**WARNING**

BALANCED PAN

CONCAVE (HOLLOW)

CONVEX (ROUNDED)

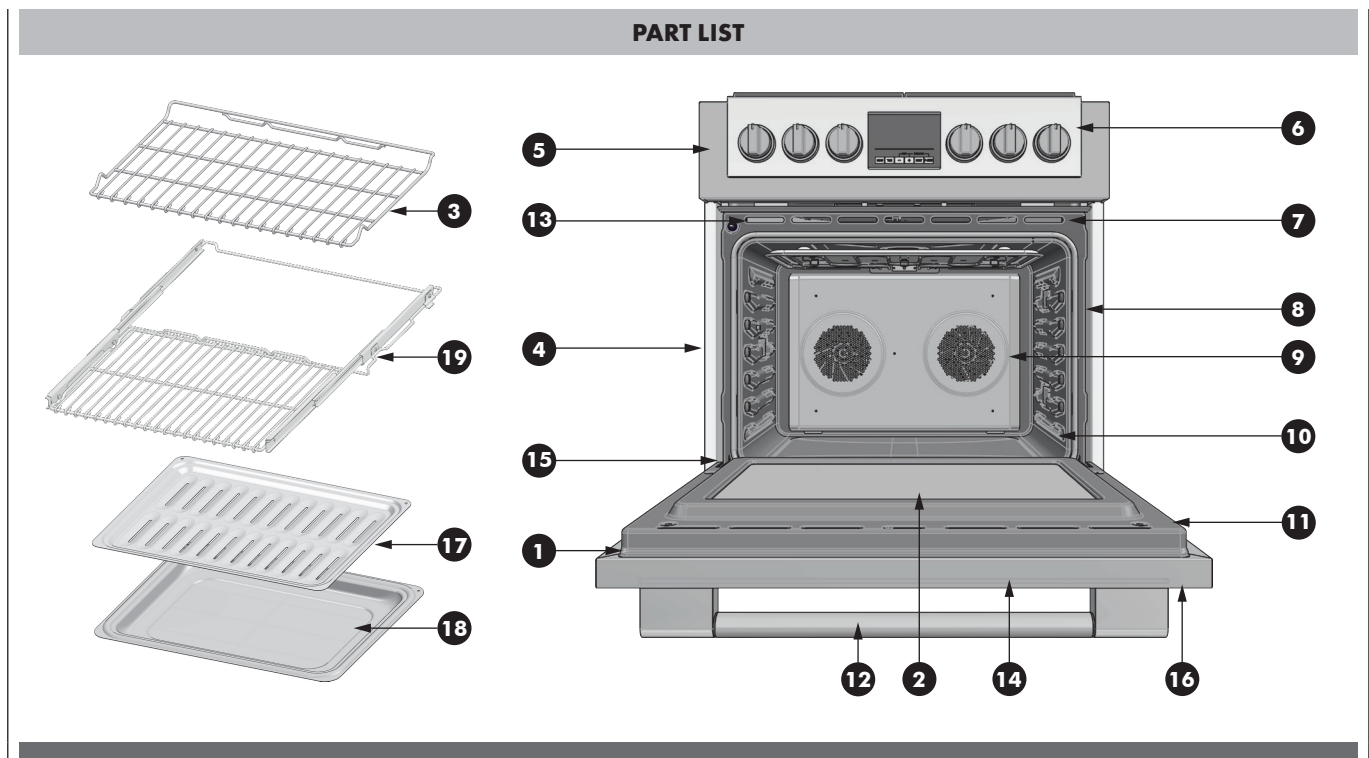
FLAME TOO LARGE FOR PAN SIZE

USE LIDS THAT FIT PROPERLY

UNBALANCED PAN

### How to Use the Oven Cleaning Chart

1. Locate the number of the part to be cleaned in the illustration on this page.
2. Find the part name in the chart.
  - Use the cleaning method in the left column if the oven has a colored enamel finish.
  - Use the cleaning method in the right column if the oven is stainless steel.
3. Match the letter with the cleaning method on following page.



<b>Cleaning Chart</b>							
<b>Part</b>		<b>Cleaning Method</b>		<b>Part</b>		<b>Cleaning Method</b>	
		<b>Enamelled</b>	<b>Stainless Steel</b>			<b>Enamelled</b>	<b>Stainless Steel</b>
<b>1</b>	Door Frame	D	G	<b>11</b>	Interior Oven Door	E	E
<b>2</b>	Interior Door Windows	F	F	<b>12</b>	Door Handle	G	G
<b>3</b>	Removable Oven Racks	A or E	A or E	<b>13</b>	Door Cooling Vent	E	E
<b>4</b>	Slide Trim	G	G	<b>14</b>	Door Front	C&D	C&G
<b>5</b>	Control Panel Trim	G	G	<b>15</b>	Oven Trim	D	D
<b>6</b>	Control Panel	D	G	<b>16</b>	End Caps	D	G
<b>7</b>	Oven Cooling Vents	D	D	<b>17</b>	Broil Pan Rack	E	E
<b>8</b>	Oven Front Frame	E	E	<b>18</b>	Broil pan Bottom	E	E
<b>9</b>	Oven Cavity	E	E	<b>19</b>	Extendable rack	A	A
<b>10</b>	Mesh Gasket	B	B				

The entire oven can be safely cleaned with a soapy sponge, rinsed and dried. If stubborn soil remains, follow the recommended cleaning methods below.

- Always use the mildest cleaner that will do the job.
- Rub metal finishes in the direction of the grain.
- Use clean, soft cloths, sponges or paper towels.
- Rinse thoroughly with a minimum of water so it does not drip into door slots.
- Dry to avoid water marks.

The cleaners listed below indicate types of products to use and are not being endorsed. Use all products according to package directions.

Part	Cleaning Method
<b>A Chrome Plated</b>	Wash with hot sudsy water. Rinse thoroughly and dry. Or, gently rub with Soft Scrub®, Bon-Ami®, Comet®, Ajax®, Brillo® or S.O.S.® pads as directed. Easy Off® or Dow® Oven Cleaners (cold oven formula) can be used, but may cause darkening and discoloration. Racks may be cleaned in the oven during the self-clean mode. However, chromed racks will lose their shiny finish and permanently change to a metallic gray.
<b>B Fiberglass Knit</b>	DO NOT HAND CLEAN GASKET.
<b>C Glass</b>	Spray Windex® or Glass Plus® onto a cloth first then wipe to clean. Use Fantastik® or Formula 409® to remove grease spatters.
<b>D Painted</b>	Clean with hot sudsy water or apply Fantastik® or Formula 409® first to a clean sponge or paper towel and wipe clean. Avoid using powdered cleansers and steel wool pads.
<b>E Porcelain</b>	Immediately wipe up acidic spills like fruit juice, milk and tomatoes with a dry towel. Do not use a moistened sponge/towel on hot porcelain. When cool, clean with hot sudsy water or apply Bon-Ami® or Soft Scrub® to a damp sponge. Rinse and dry. For stubborn stains, gently use Brillo® or S.O.S.® pads. It is normal for porcelain to craze (fine lines) with age due to exposure from heat and food soil.
<b>F Reflective Glass</b>	Clean with hot sudsy water and sponge or plastic scrubber. Rub stubborn stains with vinegar, Windex®, ammonia or Bon-Ami®. DO NOT USE HARSH ABRASIVES.
<b>G Stainless</b>	Always wipe or rub with grain. Clean with a soapy sponge then rinse and dry. Or, wipe with Fantastik® or Formula 409® sprayed onto a paper towel. Protect and polish with Stainless Steel Magic® and a soft cloth. Remove water spots with a cloth dampened with white vinegar. Use Zud®, Cameo®, Bar Keeper's Friend® or RevereWare Stainless Steel Cleaner®, to remove heat discoloration.
<b>H Probe (if present)</b>	Clean probe by hand with detergent and hot water. Then rinse and dry. Do not so or clean in dishwasher.

The entire Cooktop can be safely cleaned by wiping with a soapy sponge, then rinsing and drying. If stubborn soil remains, follow the recommended cleaning methods below.



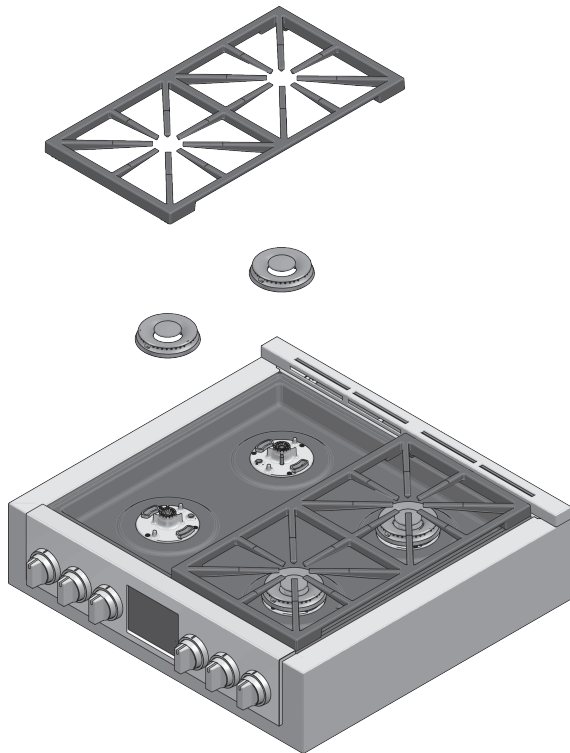
### ATTENTION

- Before cleaning, be certain the burners are turned off and the grates are cool.
- Always use the mildest cleaner that will do the job. Use clean, soft cloths, sponges or paper towels.
- Rub stainless steel finishes in the direction of the grain. Wipe area dry to avoid water marks.
- Do not clean removable cooktop parts in any selfcleaning oven.
- After cleaning, place all parts in their proper positions before using cooktop.

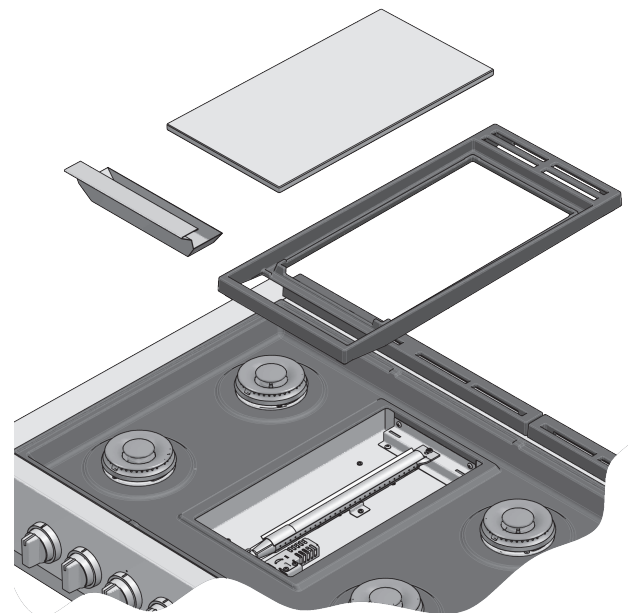
The cleaners recommended below and on the following page indicate cleaner types and do not constitute an endorsement of a particular brand.

Use all products according to package directions.

#### CLEANING THE COOKTOP



#### CLEANING THE COOKTOP



### Cooktop Part / Material Suggested Cleaners

Parts and materials	Suggested cleaners	Suggestions/Reminders
<b>Burner base</b> (Cast aluminium)	Damp cloth.	Keep the gas injector area free of cleaning agents and any other material from entering the injector orifice.
<b>Gas spreader</b> (Cast aluminium)	Detergent and hot water; rinse and dry. Stiff nylon bristle-toothbrush to clean port openings.  Abrasive cleansers: Revere ware® metal polish. Following package direction Use Brillo® or S.O.S.® pads. Rinse and dry.	Rub lightly, in a circular motion. Aluminium cleaners may dull the surface.  To clean port opening, use a tooth brush or straightened paper clip. Take care not to damage / augment the shape of the ports.
<b>Gas spreader</b> (Brass)	Wash them in hot soapy water, rinse, and dry. Use a stiff nylon brush or straight-ended paper clip to clear the notches of a flame spreader.	Rub lightly, in a circular motion. Brass cleaners may dull the surface. To clean port opening, use a tooth brush or straightened paper clip.
<b>Burner cap and grate</b> (Porcelain enamel on cast iron)	Non abrasive cleaners: Hot water and detergent, Fantastic, Formula 409. Rinse and dry immediately. Mild abrasive cleaners: Bon Ami® and Soft Scrub®. Abrasive cleaners for stubborn stains: soap-filled steel wool pad.	The grates are heavy; use care when lifting. Place on a protected surface. Blisters/crazing/chips are common due to the extreme temperatures on grate fingers and rapid temperature changes. Acidic and sugar-laden spills deteriorate the enamel. Remove soil immediately. Abrasive cleaners, used too vigorously or too often, can eventually mar the enamel.
<b>Trilaminate griddle</b> (three layers griddle stainless steel / aluminum)	<b>Warning: There is a danger of burns when cleaning a cooking surface that is still hot!</b> Never clean the cooking surface with abrasive powders or aggressive detergents. Clean the cooking surface with ice cubes or cold water.	<b>After Each Use:</b> Switch off the appliance and wait for it to cool down to about 195/215°F (90/100 °C) 20/30min. Wipe the griddle with a dry, heavy, coarse cloth to remove any remaining residue and food particles. Place single ice cubes on the cooking surface one after another; simultaneously detach the dirt with the spatula and remove the dirt from the griddle and accumulate in the drip pan. You can also use cold water as an alternative to ice cubes.  When the cooking surface is cool, any spots left by egg whites or the acids in foods can be removed with lemon juice and a clean cloth. Rinse thoroughly with a damp cloth. Coat lightly with cooking oil.  If the cooking surface was already cool before cleaning, warm it to 100 °C and then switch it off again.
<b>Exterior finish</b> (Porcelain enamel)	Hot sudsy water: rinse and dry thoroughly. Non abrasive cleansers: Ammonia, Fantastic®, Formula 409®. Mild abrasive cleansers: Bon Ami®, Ajax®, Comet®. Liquid cleaners: Kleen King®, Soft Scrub®	Acidic and sugar-laden spills deteriorate the porcelain enamel. Remove soil immediately. Do not use wet sponge or towel on hot porcelain. Always apply minimal pressure with abrasive cleaners.



Parts and materials	Suggested cleaners	Suggestions/Reminders
<b>Control knobs</b> (Stainless Steel)	Hot sudsy water: rinse and dry immediately. If necessary, remove knobs (lift straight up).	Do not soak knobs. Do not use abrasive scrubbers or cleansers. Do not force knobs onto valve shaft. Pull knobs straight away from control panel to remove. When replacing knobs, make sure knobs are in the OFF position. Do not remove seats under knobs.
<b>Exterior finish</b> (Stainless Steel)	Nonabrasive cleaners: Hot water and detergent. Fantastic®, Formula 409®. Rinse and dry immediately. Cleaner polish: Stainless Steel Magic® to protect the finish from staining and pitting; enhances appearance. Hard water spots: Household white vinegar. Mild Abrasive Cleaners: Kleen King® stainless steel liquid cleaner, Cameo® aluminum & stainless steel cleaner, Bon Ami®. Heat discoloration: Bar Keepers Friend®.	Stainless steel resists most food stains and pit marks provided the surface is kept clean and protected. Never allow food stains or salt to remain on stainless steel for any length of time. Rub lightly in the direction of polish lines. Chlorine or chlorine compounds in some cleaners are corrosive to stainless steel. Check ingredients on label before using. Always apply minimal pressure with abrasive cleaners especially on graphics.
<b>Igniters</b> (Ceramic)	Carefully wipe with a cotton swab dampened with water, ammonia or Formula 409®. Gently scrape soil off with a toothpick.	Avoid excess water on the igniter. A damp igniter will prevent burner from lighting. Remove any lint that may remain after cleaning.
<b>Drip Pan</b> (stainless steel)	<b>Allow cooktop to cool before cleaning.</b> Remove, empty, and clean drip tray.	Clean the drip tray with warm, soapy water. Wipe the area under the drip tray clean. Once dry, put the drip tray back in position. Dishwasher safe stainless-steel grease drip tray.

Before contacting service, check the following to avoid unnecessary service charges.

Oven Problem	Problem Solving Steps
F03 or F04 Error appears in the display window.	A problem with latch mechanism occurred. Remove power and turn it back on again after a few seconds. The oven should run a latch auto-test. If condition persists, note the code number and contact service.
F15 or F16 or F17 Error appears in the display window.	Error code occurs if cooking mode knob position was left between OFF and SELF-CLEAN or between DEFAULT / PRESET and SELF-CLEAN on the temperature selector knob for 30 seconds or more. F15 is related to the right or upper oven and F16 is related to the left or lower oven (depending on model). Rotate all the oven knobs in OFF position then remove power (either unplug or turn off breaker) and turn it back on again after a few seconds. If condition persists with knobs in OFF position, note the code number and contact service.  F17 appears after the error F15 appeared because F17 it is just an extension of F15. For F17 Rotate all the oven knobs in OFF position then remove power (either unplug or turn off breaker) and turn it back on again after a few seconds. If condition persists with knobs in OFF position, note the code number and contact service.
Other F__ Error appears in the display window.	Remove power and turn it back on again after a few seconds. If condition persists, note the code number and contact service.
The oven display stays OFF	Turn off power at the main power supply (fuse or breaker box). Turn breaker back on. If condition persists, call an authorized service.
Cooling fan continues to run after oven is turned off	The fan turns off automatically when the electronic components have cooled sufficiently.
Oven door is locked and will not release, even after cooling	Turn the oven off at the circuit breaker and wait a few seconds. Turn breaker back on. The oven should reset itself and will be operable.
Oven is not heating	Check the circuit breaker or fuse box to your house. Make sure there is proper electrical power to the oven. Make sure the oven temperature has been selected.
Oven is not cooking evenly	Check oven calibration. Adjust calibration if necessary (see To Set Temperature, Page 14). Refer to cooking charts for recommended rack position. Always reduce recipe temperature by 25°F (15°C) when baking with Convection Bake mode.
Oven temperature is too hot or too cold	The oven thermostat needs adjustment. See Calibrating Oven Temperature, Page 14.
Oven light is not working properly	Replace or reinsert the light bulb if loose or defective. See Page 31. Avoid touching the bulb glass with bare fingers as finger oil may cause bulbs to burn out prematurely.
Oven light stays on	Check for obstruction in oven door. Check to see if hinge is bent or door switch broken.
Cannot remove lens cover on light	There may be a soil build-up around the lens cover. Wipe lens cover area with a clean dry towel prior to attempting to remove the lens cover.
Oven will not Self-Clean properly	Allow the oven to cool before running Self-Clean. Always wipe out loose soils or heavy spill-over before running Self-Clean. If oven is badly soiled, set oven for a four-hour Self-Clean. See Preparing the Oven to Self-Clean, Page 28.
Clock and timer are not working properly	Make sure there is proper electrical power to the oven. See the Clock and Timer sections on Page 13.
Excessive moisture	When using Bake mode, preheat the oven first. Convection Bake and Convection Roast will eliminate any moisture in oven (this is one of the advantages of convection).
Porcelain chips	When oven racks are removed and replaced, always tilt racks upward and do not force them to avoid chipping the porcelain.

Oven Problem	Problem Solving Steps
<b>Ignition will not operate</b>	
Is the power supply cord unplugged?	Plug into a grounded 3 prong outlet.
Has a household fuse been blown or has the circuit breaker been tripped?	Replace the fuse or reset the circuit.
<b>Surface burners will not operate</b>	
Is this the first time the surface burners have been used?	Turn on any one of the surface burner knobs to release air from the gas lines.
Is the control knob set correctly?	Push in knob before turning to a setting.
Are the burner ports clogged?	See "Super Sealed Surface Burners" section.
<b>Surface burner flames are uneven yellow and/or noisy</b>	
Are the burner ports clogged?	See "Super Sealed Surface Burners" section.
Are the burner caps positioned properly?	See "Super Sealed Surface Burners" section.
Is propane gas being used?	The appliance may have been converted improperly. Contact a service technician.
<b>Surface burner makes clicking noises</b>	
Is the burner wet?	Let it dry.
Is the cap and gas spreader positioned correctly?	Make sure the alignment pins are properly aligned see "Super Sealed Surface Burners" section.
Is the cooking vessel much larger than the allocated grate space?	Remove vessel temporarily, if clicking ceases and then returns when putting the vessel back, it is due to the oversized vessel. You can still continue to cook with the vessel but the clicking will continue until cooking is complete.
<b>Excessive heat around cookware on cooktop</b>	
Is the cookware the proper size?	Use cookware about the same size as the surface cooking area, element or surface burner. Cookware should not extend more than 1 in (2.5 cm) outside the cooking area.
<b>Cooktop cooking results not what expected</b>	
Is the proper cookware being used?	See "Cookware" section.
Is the control knob set to the proper heat level?	See "Setting the Control Knobs" section.

Before contacting service, please check "Troubleshooting." It may save you the cost of a service call. If you still need help, follow the instructions below. When calling, please know the purchase date and the complete model and serial number of your appliance. This information will help us to better respond to your request.

**Service Data Record**

**For authorized service or parts information see "WARRANTY for Home Appliances".**

For serial tag location see Page 6. Now is a good time to write this information in the space provided below. Keep your invoice for warranty validation.

Service Data Record
Model Number _____
Serial Number _____
Date of Installation or Occupancy _____

**Veillez prêter attention à ces symboles que vous rencontrerez dans ce manuel**

### **AVERTISSEMENT**

- Ce symbole signifie que la sécurité est en danger. Il signale les risques potentiels qui peuvent entraîner la mort ou des blessures à l'opérateur ou aux autres.
- Si vous ne suivez pas ces instructions à la lettre, vous courez le risque de mourir ou d'être sérieusement blessé.

**BIEN LIRE CES INSTRUCTIONS ET LES CONSERVER.**

### **AVERTISSEMENT**

**Si les informations figurant dans ce manuel ne sont pas suivies à la lettre, il peut en résulter un incendie ou une explosion pouvant causer des dégâts matériels, des blessures, voire mort d'homme.**

**- NE PAS ranger et utiliser d'essence ou d'autres vapeurs et liquides inflammables à proximité de cet appareil ou d'un autre appareil.**

**- QUE FAIRE SI VOUS SENTEZ UNE ODEUR DE GAZ**

- **NE PAS essayer d'allumer un appareil.**
- **NE PAS toucher d'interrupteur électrique.**
- **NE PAS utiliser de téléphone dans votre bâtiment.**
- **Appeler immédiatement votre fournisseur de gaz depuis chez un voisin. Suivre les instructions de votre fournisseur de gaz.**
- **Si le fournisseur de gaz ne peut être rejoint, appeler les pompiers.**

**- L'installation et la maintenance doivent être confiées à un installateur qualifié, un réparateur agréé ou le fournisseur de gaz.**

**IMPORTANT:** Gardez ces instructions pour une utilisation d'inspection électrique locale

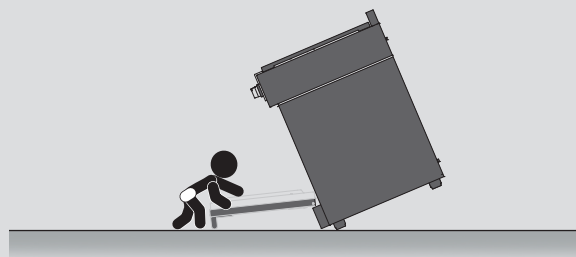
**INSTALLATEUR:** Veuillez laisser ce manuel au propriétaire pour de futures références.

**PROPRIETAIRE:** Veuillez garder ce manuel pour de futures références.

### **AVERTISSEMENT**

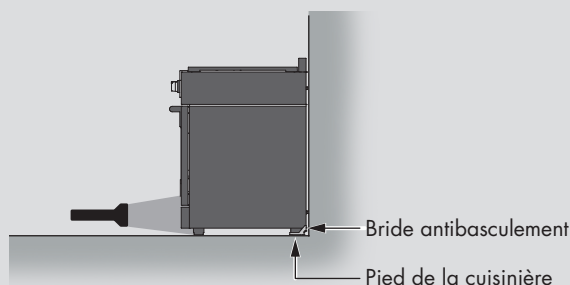
#### **Risque de basculement**

Un enfant ou une personne adulte peut faire basculer la cuisinière, ce qui peut causer un décès. S'assurer que le dispositif antibascule est réengagé lorsque la plage est déplacée. Ne pas faire fonctionner la cuisinière si la bride antibasculement n'est pas installée et engagée. Le non-respect de ces instructions peut causer un décès ou des brûlures graves aux enfants et aux adultes.



Pour vérifier que la bride antibasculement est bien installée et engagée :

- Faire glisser la cuisinière vers l'avant.
- Vérifier que la bride antibasculement est bien fixée au plancher ou au mur.
- Faire de nouveau glisser la cuisinière vers l'arrière de sorte que le pied de la cuisinière se trouve sous la bride antibasculement.
- Voir les instructions d'installation pour plus de détails.



TABLES DES MATIERES	PAGE
<b>1 - Précaution de Sécurité</b>	<b>3</b>
<b>2 - Instructions de Sûreté</b>	<b>5</b>
Sécurité pour l'auto-nettoyage du four	5
Avertissements pour l'Installation de Gaz et Electrique	6
<b>3 - Caractéristiques de Votre Four</b>	<b>7</b>
<b>4 - Les Tableaux de Commande</b>	<b>9</b>
Touches de commande	9
Affichage	9
Boutons	9
<b>5 - Modes de Four</b>	<b>10</b>
<b>6 - Information Générale du Four</b>	<b>11</b>
<b>7 - Conseils Généraux Sur le Four</b>	<b>12</b>
Grilles de four	12
Grille rallonge	13
<b>8 - Réglage de la Pendule et la Minuterie</b>	<b>14</b>
Pour régler l'horloge	14
Pour régler la minuterie	14
<b>9 - Sélection du Mode de Four</b>	<b>15</b>
Pour régler un mode de cuisson et température	15
En utilisant la clé menu pour sélectionner les fonctions de basse température	15
Utilisation des lumières du four	15
<b>10 - Fonction de Mode Four Minuté</b>	<b>16</b>
Pour régler le mode programme	16
Pour retarder le démarrage du mode minuterie	16
Lorsqu'un mode temporisé est en cours	16
Comment vérifier une valeurs temps	16
<b>11 - Réglage des Options de la Sonde pour Viande</b>	<b>17</b>
<b>12 - Conseils et Technique de Cuisson</b>	<b>18</b>
Guides générales	18
<b>13 - Conseils et Techniques de Convection Européenne</b>	<b>19</b>
Tableau de convection européenne	20
<b>14 - Conseils et Techniques de Convection Cuisson</b>	<b>21</b>
Tableau de convection cuisson - CAVITÉ DE CONVECTION	21
<b>15 - Conseils et Techniques pour le Convection Grill</b>	<b>23</b>
Tableau de convection grill - CAVITÉ DE CONVECTION	23
<b>16 - Conseils et Techniques de Déshydratation</b>	<b>24</b>
Tableau de grillade à déshydratation	24
<b>17 - Conseils et Techniques de Grill</b>	<b>25</b>
Tableau de grill	25
Guide de temperature de service de la FSIS (Service d'inspection et securute des aliments USDA)	25

TABLES DES MATIERES	PAGE
<b>18 - Solution pour des Problèmes de Cuisson</b>	<b>26</b>
<b>19 - Options Spéciales</b>	<b>27</b>
<b>20 - Instruction du Mode Sabbat</b>	<b>28</b>
<b>21 - Entretien du Four et Nettoyage</b>	<b>29</b>
Auto-nettoyage du four	29
Preparation du four pour l'auto-nettoyage	29
<b>22 - Réglage du Mode Auto-Nettoyage</b>	<b>30</b>
Pour régler le mode auto-nettoyage	30
Pour changer le temps de nettoyage	30
Pour retarder le debut du nettoyage	30
<b>23 - Entretien à Faire Soi-Même Retrait de la Porte du Four</b>	<b>31</b>
Pour enlever la porte	31
Pour remettre la porte	31
<b>24 - Remplacement d'une Ampoule du Four</b>	<b>32</b>
Pour remplacer une ampoule	32
<b>25 - Caractéristiques de Votre Table de Cuisson</b>	<b>33</b>
<b>26 - Utilisation du brûleur de la table de cuisson</b>	<b>36</b>
Utilisation des Boutons de Commande	36
Gas burners	36
Brûleurs avec deux anneaux de flamme	36
Brûleurs de Surface Etanches	37
<b>27 - Fonctionnement du gril de la table de cuisson</b>	<b>38</b>
Plaque chauffante	38
Traitement de la plaque chauffante	38
Fonctionnement de la plaque chauffante	38
Entretien de la plaque chauffante	38
umage électrique du gaz	38
Tableau de cuisson au gril	39
<b>28 - Minuteur</b>	<b>40</b>
<b>29 - Batterie de Cuisine</b>	<b>41</b>
Caractéristiques des Matériaux	41
Le Diamètre de la Casserole Doit Correspondre au Diamètre de la Flamme	41
<b>30 - Entretien Général du Four</b>	<b>42</b>
Comment utiliser le tableau de nettoyage du four	42
Tableau de Nettoyage	42
<b>31 - Finitions du Four / Méthodes de Nettoyage</b>	<b>43</b>
<b>32 - Nettoyage de la Table de Cuisson</b>	<b>44</b>
Table de Cuisson / Produits d'Entretien Conseillés	45
<b>33 - Résolution des Problèmes de Fonctionnement</b>	<b>47</b>
<b>34 - Assistance ou Service Après-Vente</b>	<b>49</b>

**INSTRUCTION IMPORTANT**

**Appareil domestique et appareil**  
**Veillez lire les instructions avant toute**  
**utilisation.**

**AVERTISSEMENT**

A condition de bien l'entretenir, votre nouveau four a été conçu pour être un appareil fiable et sûr. Lisez toutes les instructions soigneusement avant d'utiliser ce four. Ces précautions réduiront le risque de brûlures, d'électrocutions, d'incendie, et de blessures à des personnes. Lorsque vous utilisez des appareils électroménagers de cuisine, il faut suivre les mesures de sécurité basiques, y compris les suivantes:

Cet appareil doit être correctement installé et branché par un technicien qualifié. Branchez-le uniquement à une prise de courant de terre correcte. Reportez-vous à "Instructions de mise à la terre" dans les Instructions d'installation.

- Cet appareil ne doit être mis en service uniquement par un technicien apte et agréé. Contactez le centre de service agréé le plus proche de chez vous pour une inspection, une réparation ou un réglage.
- Ne réparez pas ou ne remplacez pas des pièces du appareil sauf si on vous le recommande spécifiquement. Faites appel au service agréé.
- Ne faites pas fonctionner cet appareil s'il ne fonctionne pas correctement ou s'il a été abîmé jusqu'à l'inspection du service après-vente agréé.
- Installez ou placez cet appareil uniquement et conformément aux Instructions d'installation.
- Utilisez ce four uniquement dans le but pour lequel il a été conçu par le fabricant. Pour toute question, contactez le fabricant.
- Ne couvrez pas ou ne bloquez pas les ouvertures de cet appareil.
- N'utilisez l'appareil que selon l'usage décrit dans ce manuel. N'utilisez pas de produits chimiques corrosifs, des vapeurs ou des produits non - alimentaires dans cet appareil. Ce type de four est spécifiquement conçu pour chauffer ou cuire. Il n'est pas conçu pour une utilisation industrielle ou en laboratoire. L'utilisation de produits chimiques corrosifs pour le chauffage et le nettoyage endommagera cet appareil.
- Si vos vêtements ou vos cheveux prennent feu, **LAISSEZ-VOUS TOMBER ET ROULEZ IMMEDIATEMENT** pour éteindre les flammes.

**AVERTISSEMENT**

- Si l'huile de cuisson devait prendre feu, **ÉTOUFFER LES FLAMMES** en bouchant le récipient avec un couvercle bien hermétique, un moule à gâteaux ou un autre plateau en métal, puis éteignez le brûleur à gaz.
- **VEILLEZ À NE PAS VOUS BRÛLER.**
- Si les flammes ne s'éteignent pas, **ÉVACUER IMMEDIATEMENT LE LOCAL ET APPELER LES POMPIERS.**
- N'utilisez ni eau ni torchons ou serviettes mouillés pour éteindre un feu dû à la graisse de cuisson, vous pourriez provoquer une violente explosion.
- **NE JAMAIS PRENDRE DANS LES MAINS UNE POÊLE EN FEU**, vous pourriez vous brûler.
- Ayez **TOUJOURS** un **DÉTECTEUR DE FUMÉE EN ÉTAT DE MARCHÉ** à proximité de la cuisine. **FAITES FONCTIONNER LE VENTILATEUR DE LA HOTTE** lorsque vous flambez des aliments.
- Ne pas boucher le flux d'air de combustion au niveau de l'ouverture de ventilation du four ni au-dessous du panneau frontal inférieur de la cuisinière. Éviter de toucher les ouvertures de ventilation ou les surfaces voisines car ces surfaces pourraient se réchauffer pendant que le four est en service. L'air frais est indispensable pour une bonne combustion au brûleur.
- **NE JAMAIS** couvrir les fentes, les trous ou les passages du four, ni couvrir une grille de papier aluminium. Ceci obstrue le débit d'air dans le four et peut causer un empoisonnement au monoxyde de carbone. Les doublures en aluminium peuvent aussi causer un risque d'incendie.
- Ne **JAMAIS** utiliser cet appareil comme radiateur pour chauffer ou réchauffer la pièce. Cela pourrait entraîner une intoxication au monoxyde, de carbone et surchauffer le four.

**Pour réduire le risque de brûlures lorsque vous cuisinez, veuillez observer les conseils suivants:**

- Ne laissez pas les jeunes enfants ou les animaux seuls ou sans surveillance dans une pièce où un appareil électroménager est allumé. Ils ne devraient jamais avoir le droit de s'asseoir ou de se tenir debout sur une quelconque partie de l'appareil.
- Ne pas stocker des matériaux inflammables sur la table de cuisson ou à proximité.
- Lorsque vous cuisinez sur la table de cuisson: **NE PAS TOUCHER LES GRILLES DU BRÛLEUR NI LA ZONE AUTOUR.**
- Ne prendre les récipients qu'à l'aide de maniques sèches: des maniques humides ou mouillées sur des surfaces chaudes créent de la vapeur qui peut vous brûler.

- Une table de cuisson avec un brûleur allumé ne doit jamais être laissée sans surveillance: un liquide qui bout et déborde crée de la fumée ou s'il est huileux peut prendre feu. Un débordement sur un brûleur peut étouffer la flamme partiellement ou totalement ou bloquer l'étincelle d'allumage. Dans le cas d'un débordement, éteindre le brûleur et vérifier son fonctionnement. S'il fonctionne normalement, vous pouvez le rallumer.
- Ne pas laisser le papier aluminium ou la sonde thermique entrer en contact avec les éléments chauffants.
- Lorsque vous cuisinez, choisissez la position du bouton de commande de façon à ce que la flamme ne chauffe que le bas de la casserole et ne dépasse pas sur les côtés.
- Veillez à ce que des courants d'air provoqués par exemple par un ventilateur ne soufflent pas des matériaux inflammables en direction de la flamme ou ne fassent en sorte que la flamme dépasse les bords du récipient utilisé.
- Mettez toujours les poignées des récipients vers le centre de sorte qu'ils ne soient pas au-dessus d'autres plans de travail adjacents, d'autres brûleurs ou sur le bord de la table de cuisson.
- Quand vous cuisinez, veillez à porter des habits adéquats en évitant des habits lâches ou des manches tombantes.
- Ne jamais permettre que les habits ou les maniques ou tout autre matériau inflammable ne viennent en contact avec les brûleurs ou les grilles des brûleurs lorsqu'ils sont chauds.
- N'utiliser qu'un certain type de récipients en verre, en vitrocéramique résistant à la chaleur, en céramique, en faïence ou d'autres récipients émaillés qui sont adaptés à la table de cuisson.
- Ne jamais nettoyer la table de cuisson lorsqu'elle est encore chaude. Certains détergents appliqués sur des surfaces chaudes provoquent des vapeurs nocives.

**ATTENTION**

Veillez à ce qu'aucune feuille d'aluminium, de plastique, de papier ou du tissu ne puisse venir au contact d'un brûleur chaud ou d'une grille chaude. Ne laissez pas les casseroles bouillir sans eau.

**ATTENTION**

Ne mettez pas des objets d'intérêt pour les enfants sur le four. Si un enfant devait grimper sur l'appareil électroménager pour atteindre ces objets, il pourrait se blesser gravement.

Pour réduire les risques de feu dans le four:

1. Ne mettez pas des matériaux inflammables près du four ou dedans.
2. N'utilisez pas d'eau sur un feu de friture. Etouffez le feu en utilisant un extincteur à poudre ou à mousse.
3. Il est hautement recommandé que l'extincteur soit prêt à l'utilisation et bien visible non loin de tout appareil de cuisson.
4. Ne surcuisez pas les aliments. Surveillez le four si des produits en papier, en plastique ou des matières combustibles sont placés dedans.
5. N'utilisez pas l'intérieur du four pour ranger des objets. Ne laissez pas des produits en papier, des ustensiles de cuisine ou de la nourriture dans le four lorsqu'il n'est pas utilisé.
6. Si des matériaux à l'intérieur du four s'enflamment, laissez la porte du four. Eteignez le four et débranchez le circuit aux boîtiers disjoncteurs.
7. N'obstruez pas les ouvertures de ventilation.
8. Assurez-vous que le ventilateur fonctionne lorsque le four est en marche. Si le ventilateur ne fonctionne pas, n'utilisez pas le four. Appelez le service après-vente agréé.
9. Pour votre sécurité, portez des vêtements appropriés. Des vêtements amples ou de grandes manches ne doivent jamais être portés en utilisant ce four.



- Attachez les cheveux longs.
- Ne touchez pas les éléments chauffants ou l'intérieur des surfaces du four.
- Les éléments chauffants peuvent être chauds même lorsqu'ils sont sombres. Les surfaces intérieures d'un four deviennent assez chaudes pour provoquer des brûlures.
- Pendant et après l'utilisation, ne touchez pas ou ne laissez pas des vêtements ou d'autres matières inflammables en contact avec les éléments chauffants ou les surfaces intérieures du four jusqu'à ce qu'ils aient eu le temps de refroidir suffisamment. D'autres surfaces de l'appareil pourraient devenir suffisamment chaudes pour provoquer des brûlures - ces surfaces sont, par exemple, les ouvertures de ventilation du four et les surfaces proches de ces ouvertures, les portes du four et les fenêtres des portes du four.
- L'habillage sur le dessus et sur les côtés de la porte du four peut être assez chaud pour provoquer des brûlures.
- Ouvrez la porte avec précaution. Ouvrez la porte doucement pour laisser échapper l'air chaud ou la vapeur avant d'enlever ou de remplacer la nourriture.
- Ne chauffez pas des emballages alimentaires non ouverts. L'accumulation de pression pourrait faire exploser l'emballage et donc blesser.
- Placez toujours les grilles du four dans la position voulue lorsque le four est froid. Si une grille doit être déplacée lorsque le four est chaud, ne laissez pas les moufles en contact avec les éléments chauffants.
- Utilisez toujours des moufles sèches. Des moufles humides sur des surfaces chaudes peuvent brûler à cause de la vapeur. La moufle ne doit pas toucher des parties brûlantes. N'utilisez pas de torchons ou d'autres serviettes volumineuses.
- Ne pas laisser le papier aluminium ou la sonde thermique entrer en contact avec les éléments chauffants.



### AVERTISSEMENT

- Si un brûleur devait s'éteindre et le gaz s'échapper, ouvrez une fenêtre ou une porte. Attendez 5 minutes avant d'utiliser à nouveau la table de cuisson.
- N'obstruez pas le flux de l'air de combustion et de ventilation.
- Vous ne devez en aucun cas utiliser une feuille d'aluminium pour couvrir une quelconque partie de la table de cuisson.
- Vous ne devez en aucun cas utiliser une feuille d'aluminium pour tapisser une quelconque partie de la cavité du four, car elle fondra et abîmera l'émail pendant la cuisson.
- Si la range cookers se trouve à proximité d'une fenêtre, assurez-vous que les rideaux ou tout autre type de stores ne peuvent pas être soufflés sur ou à côté des brûleurs: ils pourraient prendre feu.

## Securite pour l'auto-nettoyage du four

- S'assurer que la porte est verrouillée et ne s'ouvre plus quand les deux sélecteurs sont dans la position CLEAN et que l'icône de verrouillage de porte s'affiche. Si la porte ne se ferme pas, tourner le sélecteur du mode de cuisson sur OFF et ne pas effectuer le Self-Clean. Appeler le service d'assistance.
- Ne nettoyez pas le joint de la porte. Il est essentiel pour une bonne étanchéité. Faites extrêmement attention à ne pas frotter, endommager, déplacer ou enlever le joint de la porte.
- N'utilisez pas de nettoyants pour four de type commercial ou d'enduit protecteur de toutes sortes à l'intérieur et à l'extérieur du four.
- Ne nettoyez que les pièces indiquées dans ce manuel.
- Avant l'autonettoyage du four, retirer la lèchefrite, les grilles du four (uniquement lorsqu'elles ne sont pas en porcelaine), les autres ustensiles et tout déversement en excès ou de nourriture.



### AVERTISSEMENT

**L'élimination de résidus pendant l'auto-nettoyage provoque des dérivés qui sont sur cette liste de substances.**

**Pour minimiser l'exposition à ces substances, faites fonctionner ce four toujours conformément aux instructions dans ce manuel et ventilez bien la pièce pendant et immédiatement après l'auto-nettoyage du four.**

La loi de l'eau potable et des substances toxiques de la Californie oblige le Gouverneur de Californie à publier une liste des substances chimiques connues dans l'état de Californie comme causes de cancer, malformations congénitales ou sources d'autres risques pour la reproduction et oblige les sociétés à prévenir du danger lié aune exposition potentielle à ces substances.

**DANGER:** Ce produit contient une substance chimique qui figure sur la liste des substances dangereuses en Californie et est connue pour être la cause de cancer, de malformations congénitales ou source d'autres risques pour la reproduction. Cet appareil électroménager peut provoquer une faible exposition à certaines de ces substances, y compris le benzène, le formaldéhyde, le monoxyde de carbone, le toluène et la suie.

## Avertissements pour l'Installation de Gaz et Electrique

### Au cas où il faudrait procéder à l'installation de gaz propane

La table de cuisson est prête à l'emploi avec du gaz naturel. Vous pouvez la transformer pour utiliser du gaz propane grâce au kit de conversion propane fourni avec la table de cuisson. Vous assurer que l'unité installée est bien celle prédisposée.



### AVERTISSEMENT

L'installation et l'entretien de l'appareil doivent être exécutés par un installateur qualifié, un bureau technique ou le fournisseur de gaz.



### ATTENTION

- Toujours débrancher la prise électrique de l'appareil avant de commencer les opérations d'entretien.
- Pour des raisons de sécurité personnelle, cet appareil doit être mis à la terre correctement.
- Il ne faut en aucun cas couper ou enlever le troisième fil (terre) du câble électrique.



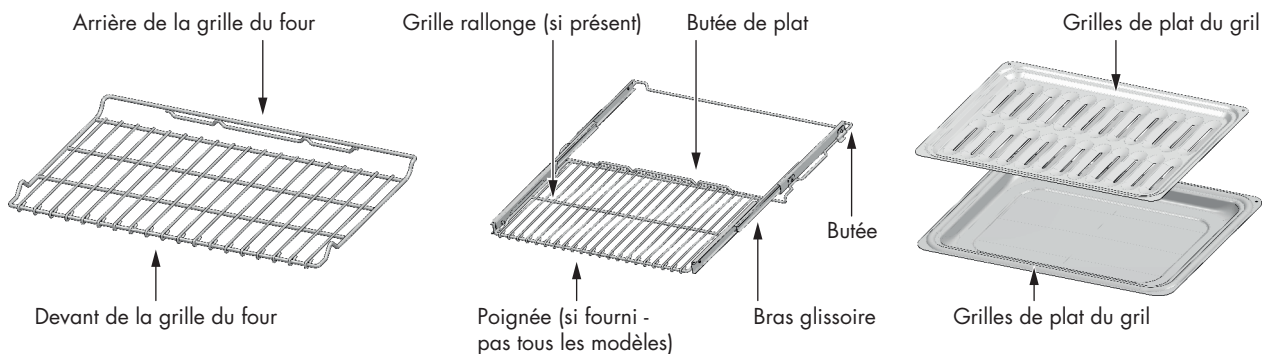
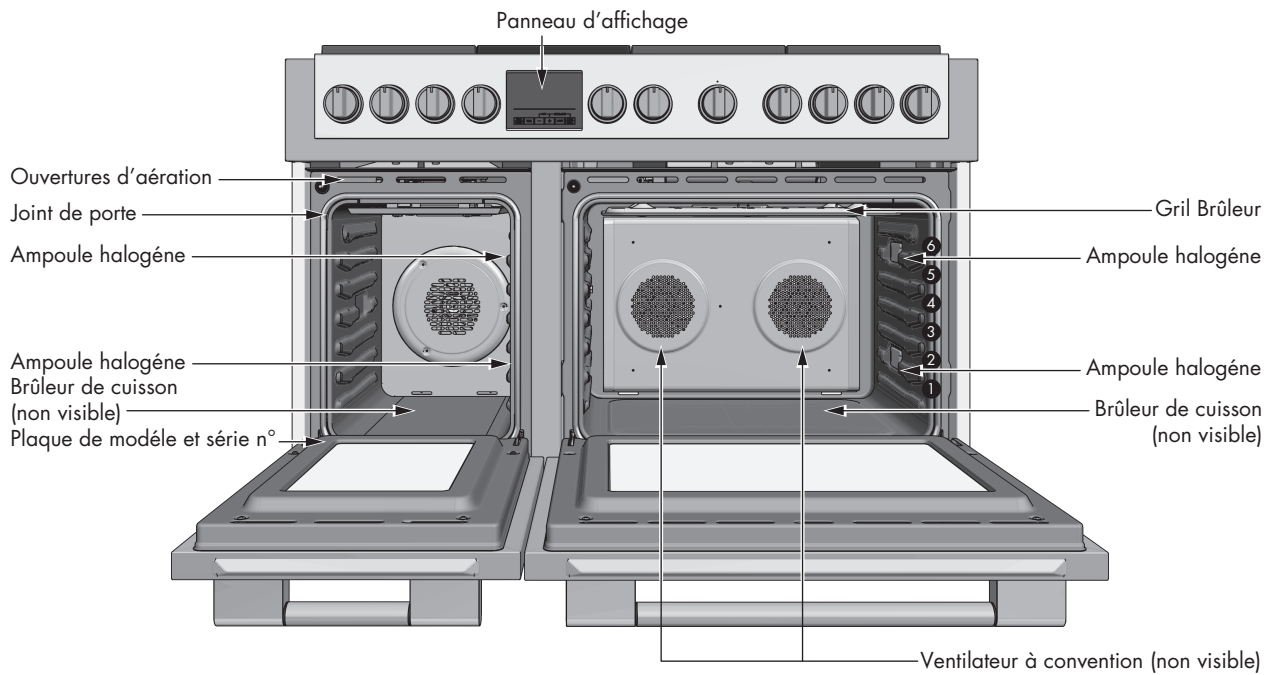
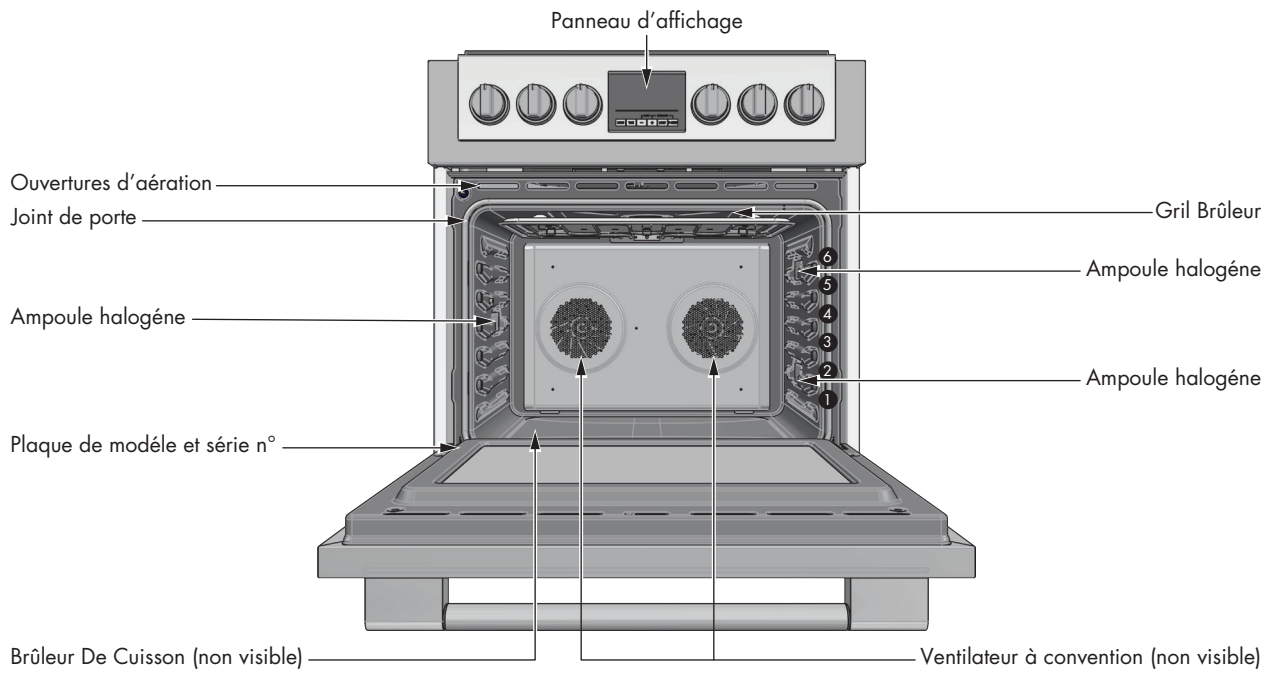
### ATTENTION

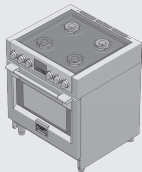
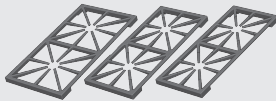
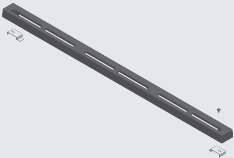
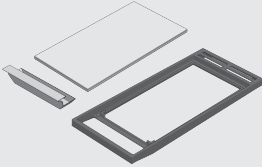
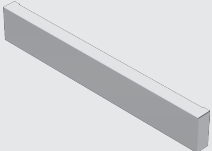
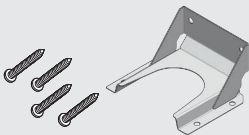
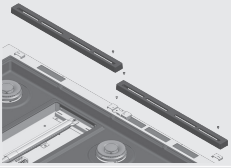
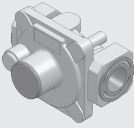

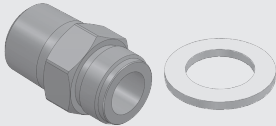

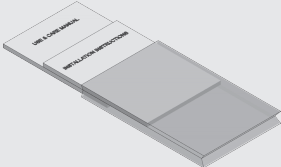
Au moment de brancher l'unité au gaz de propane, vous assurer que la bouteille de gaz est bien équipée avec son propre régulateur de haute pression. En outre, le régulateur de pression fourni avec la table de appareils doit se trouver à l'entrée du tuyau de gaz de cet appareil.

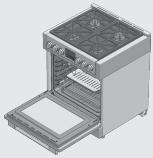
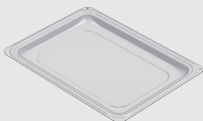
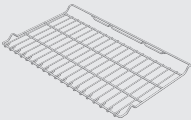

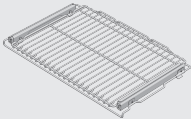

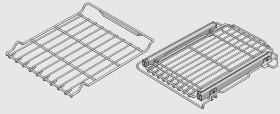
### En cas de panne de courant

Si pour une quelconque raison un bouton de commande est allumé mais il n'y a pas de courant pour que l'allumeur électrique de la table de cuisson fonctionne, ÉTEINDRE la table de cuisson, attendre 5 minutes afin que le gaz se dissipe, puis allumer manuellement. Pour allumer le brûleur manuellement, portez avec précaution la flamme d'une allumette à la hauteur des orifices du brûleur, enfoncez le bouton de commande et tournez-le sur la position HI jusqu'à ce que le brûleur s'allume. Alors, vous pouvez mettre le bouton de commande sur la position désirée.

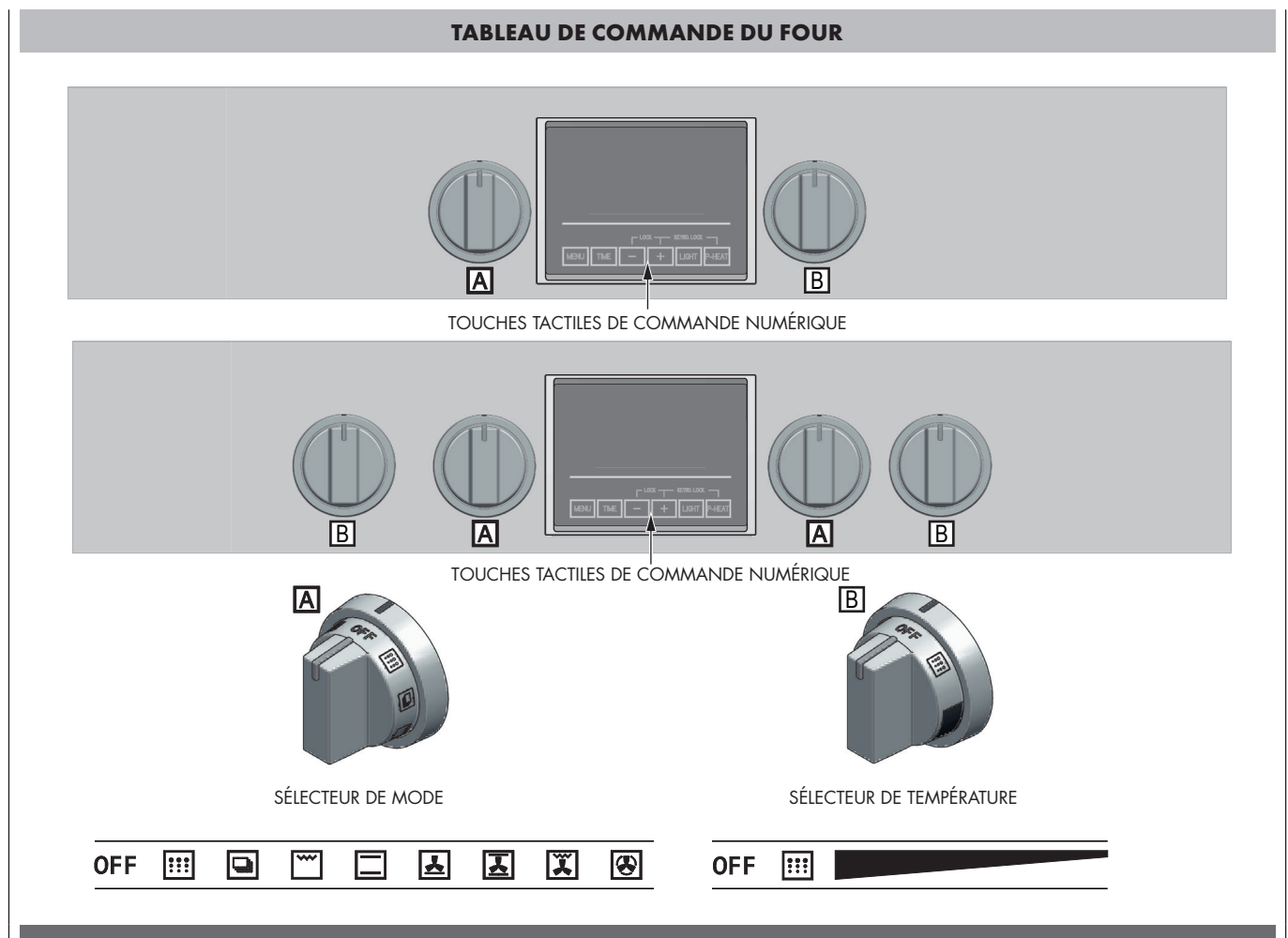
CARACTÉRISTIQUES DE VOTRE FOUR



CONTENU DE L'EMBALLAGE DE VOTRE CUISINIÈRE					
	QTY	DESCRIPTION		QTY	DESCRIPTION
	1	CUISINIÈRE		2	GRILLES EN FONTE
				3	Modèle pour TABLE DE CUISSON de 30"-36" PLAQUE
				3	Modèle pour TABLE DE CUISSON de 36"-48"
	1	Pour GAMMES 30"/36" REVÊTEMENT ISLAND EN FONTE DEUX VIS DE FIXATION		1	PLAQUE (POUR GAMME 36"-48")
	1	BARRE DE PROTECTION ANTÉRIEURE		1	QUATRE VIS DE FIXATION ANTIBASCULEMENT
	2	Pièces pour GAMME 48" Garniture d'îlot Deux vis de fixation		1	RÉGULATEUR DE PRESSION
	3	PIEDS		1	RACCORD
				1	JOINT / RONDELLE
	1	PIED À COLLERETTE		1	MANUELS ET DOCUMENTATION GÉNÉRALE
				1	"INSTRUCTIONS D'INSTALLATION"
				1	"UTILISATION & ENTRETIEN"
				1	KIT DE CONVERSION DU GAZ

ACCESSOIRES DU FOUR DE VOTRE CUISINIÈRE					
	QTY	DESCRIPTION		QTY	DESCRIPTION
	1	FOUR		1	PLAQUE À GRILLER ÉMAILÉE
	2	FOURS (POUR GAMME 48")			
	2	GRILLES CHROMÉES		1	GRILLE ÉMAILÉE ANTI-ÉCLABOUSSURES
	1	GRILLE CHROMÉE TÉLESCOPIQUE		1	SONDE À VIANDE
	2	GRILLES CHROMÉES			

L'interface d'utilisation a les caractéristiques suivantes: affichage, indicateurs lumineux de préchauffage, touches de commande, mode de cuisson et sélecteurs de température.



## Touches de commande

	Appuyez sur cette touche pour activer des fonctions spéciales, des fonctions de basse température ou pour entrer un menu spécial. Voir la section : "Sélection du mode de four".
	Voir la section: "Réglage de la pendule et de la minuterie"
	<b>Touche pour diminuer la valeur.</b>
	<b>Touche pour augmenter la valeur.</b>
	Appuyez sur cette touche pour changer l'état des lumières du four.
	Lorsqu'une fonction de cuisson a été choisie, appuyez sur cette touche pour activer le mode de préchauffage rapide. Le préchauffage rapide n'est pas disponible pour toutes les fonctions.
	Appuyez sur cette touche pour sélectionner la grande cavité si aucune n'est sélectionnée. Si l'une des deux cavités est déjà sélectionnée, appuyez pour basculer sur l'autre.

## Affichage

### Affichage du temps multifonction:

pour le moment de la journée, la minuterie, la cuisson automatique. Les indications autres sont également disponibles pour indiquer quelle cavité est actuellement sélectionnée et si aucune des portes a été verrouillée, automatiquement pour un auto-nettoyage ou manuellement par l'utilisateur.

### Affichage du réglage de la température:

L'indication de l'unité des degrés (°C ou °F) est présente. Il indique le point de réglage de la température pour le mode de cuisson en cours dans la cavité choisie.

### Affichage du mode de cuisson:

indique quelle fonction a été choisie.

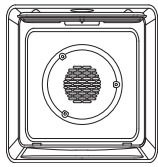
## Boutons

**Sélecteur de mode de cuisson (thermique)**, avec trios modes de cuisson + position OFF.

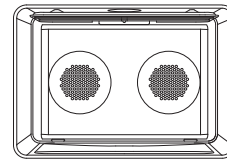
**Sélecteur de température** avec des positions de PRESET et CLEAN + gamme continue entre les valeurs MIN et MAX.

Les illustrations suivantes indiquent une vue générale de ce qui se passe dans le four avec chaque mode de cuisson. Les flèches représentent la situation de la source de chaleur pendant les modes spécifiques. L'élément inférieur est dissimulé sous la sole du four.

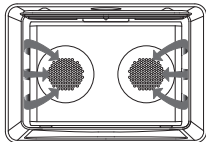
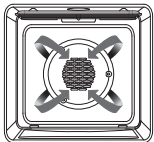
STYLES DE CAVITÉS



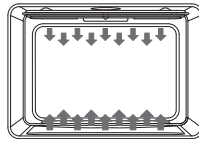
Convection Cavity



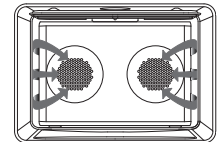
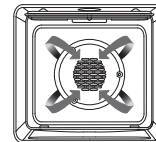
Double Convection Cavity



Cuisson au four à convection européenne (CONV BAKE)



Cuisson au four (BAKE)



Deshydratation (CONV DEHY)

Réglage température:  
de 170 °F (75 °C) à 550 °F (290 °C)  
**(position préréglée 325 °F (165 °C))**

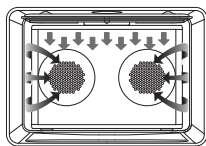
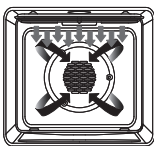
La cuisson au four à convection a lieu grâce à la chaleur provenant d'un ou plusieurs éléments circulaires situés derrière la paroi arrière du four. La chaleur circule à travers le four par un ventilateur à convection.

Réglage température:  
de 170 °F (75 °C) à 550 °F (290 °C)  
**(position préréglée 350 °F (175 °C))**

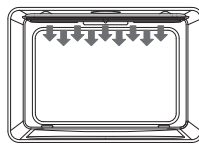
La cuisson au four est une cuisson avec de l'air chauffé. Les deux éléments du cycle, celui inférieur et celui supérieur fonctionnent pour garder la température du four.

Réglage température:  
de 120 °F (50 °C) à 160 °F (70 °C)  
**(position préréglée 140 °F (60 °C))**

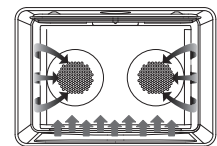
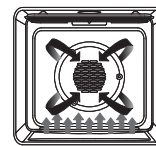
Déshydrater est similaire à la cuisson à convection et cela garde une température basse optimale alors que l'air chauffé circule pour enlever l'humidité doucement pour préserver les aliments.



Gril à convection (CONV BROIL)



Gril (BROIL)



Pizza (PIZZA)

Réglage température:  
de 170 °F (75 °C) à 550 °F (290 °C)  
**(position préréglée 450 °F (230 °C))**

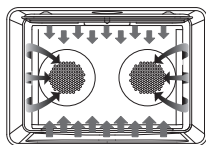
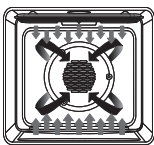
Le gril à convection combine la chaleur intense de l'élément supérieur avec une chaleur qui circule grâce au ventilateur.

Réglage température:  
de L1 à L5  
**(position préréglée L3)**

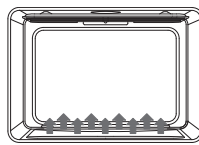
Le gril utilise la chaleur intense émise depuis l'élément supérieur.

Réglage température:  
de 170 °F (75 °C) à 550 °F (290 °C)  
**(position préréglée 450 °F (232 °C))**

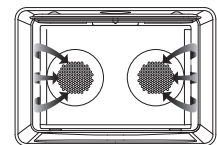
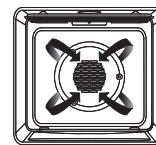
C'est un mode de cuisson spécial avec de l'air chauffé. L'élément inférieur passe au mode cuisson pizza.



Cuisson à convection (CONV ROAST)



Proof (WARM)



Defrost (CONV)

Réglage température:  
de 170 °F (75 °C) à 550 °F (290 °C)  
**(position préréglée 325 °F (165 °C))**

Le rôtissage à convection utilise l'élément supérieur, du milieu et le ventilateur à convection.

Réglage température:  
de 80 °F (25 °C) à 120 °F (50 °C)  
**(position préréglée 100 °F (35 °C))**

**Warming (WARM PLUS)**  
Réglage température:  
de 130 °F (55 °C) à 210 °F (100 °C)  
**(position préréglée 170 °F (75 °C))**

Test et réchauffement utilisent les éléments inférieurs pour garder la nourriture chaude.

Aucun élément de chauffage n'est utilisé, uniquement le ventilateur à convection est utilisé pour décongeler les aliments.

Avant d'utiliser votre four pour la première fois, enlevez tous les emballages du four ou des fours. Tout matériel de cette sorte laissée à l'intérieur peut fondre ou brûler lorsque l'appareil est en marche.

Faites chauffer l'appareil vide à la température maximale afin d'enlever tous les résidus de fabrication qui pourraient affecter les aliments avec des odeurs désagréables.

### Symboles et nombres clignotants

Ils signalent une action incomplète en cours (verrouillage de la porte, préchauffage, etc.) ou un réglage incomplet qui demande une entrée supplémentaire.

### Bips

Cela signale que plus d'informations doivent être entrées ou cela confirme la réception d'une entrée. Un bip signale aussi la fin d'une fonction ou une erreur du four.

### Verrouillage de sécurité de la porte

Il est affiché de façon constante lorsque la porte est verrouillée. Le symbole clignote lorsque le loquet est en mouvement afin de verrouiller ou de déverrouiller la porte. N'essayez pas d'ouvrir la porte à ce moment. La porte peut être ouverte lorsque le symbole n'apparaît plus. "AUTO LOCK" apparaît lorsque la porte a été verrouillée automatiquement à cause du mode autonettoyage.

"USER LOCK" est affichée lorsque la porte a été verrouillée manuellement par l'utilisateur, par exemple pour empêcher un enfant d'accéder à la cavité du four.

Maintenez les clés **+** et **-** pendant 3 secondes. Le loquet verrouillera la porte. Recommencez la même opération pour le déverrouillage.

### Verrouillage du clavier

Maintenez les clés indiquées par "KEYBD. LOCK" sur le tableau pendant 3 secondes. Les commandes sont maintenant verrouillées et "SENS LOCK" va s'afficher chaque fois que vous touchez une clé. Recommencez la même opération pendant 3 secondes pour le déverrouillage.

### Réglages par défaut

Les modes de cuisson sélectionnent automatiquement la température appropriée lorsque le sélecteur est dans une position préréglée. On peut le modifier lorsqu'une température différente est nécessaire. Il est aussi possible de régler une option utilisateur afin de sauver la dernière température utilisée pour chaque mode de cuisson.

### Codes de chiffre erreur F (Failure)

Ces codes sont affichés lorsque le contrôle électronique détecte un problème dans le four ou sur les parties électroniques.

### Ventilateur à convection

Le ventilateur fonctionne pendant tous les modes à convection. Lorsque le four fonctionne dans un mode à convection, le ventilateur s'arrêtera automatiquement lorsque la porte est ouverte. Le ventilateur fonctionner pendant la durée du préchauffage pour des modes spécifiques.

### Composant du ventilateur de refroidissement

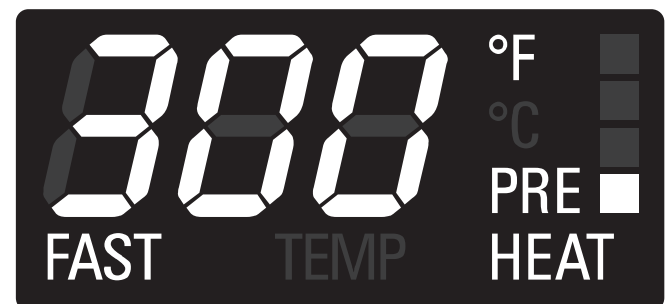
Il fonctionne pendant tous les modes de cuisson ou d'auto-nettoyage pour refroidir les composants internes et les surfaces de la porte extérieure. Cet air s'échappe des événements situés au-dessus de la porte du four. Il continue à fonctionner jusqu'à un refroidissement suffisant. La vitesse du ventilateur de refroidissement s'accélère pendant l'auto-nettoyage et lorsque la température des composants intérieurs devient élevée.

### Préchauffage rapide

Lorsqu'un mode de cuisson est réglé et lorsque le four chauffe, l'écriture "PREHEAT" apparaît sur l'affichage de température: la barre verticale indique, en quatre étapes, lorsque le four atteint les 25%, 50%, 75%, 100% du point de réglage de température.

Dès que les 100% sont atteints, la commande émet un signal d'une "fin de préchauffage" et l'écriture "PREHEAT" disparaît. Lorsqu'il est nécessaire de chauffer le four rapidement, un mode de préchauffage rapide est disponible: il utilise les éléments de chauffage et le ventilateur à convection de façon spéciale, afin de réduire le temps de chauffage autant que possible.

Après avoir réglé une des fonctions de cuisson pour laquelle le préchauffage rapide est possible, effleurez la clé **P-HEAT**, l'écriture "FAST" est indiquée en plus de "PREHEAT".



Dès que le point de réglage de la température est atteint, la commande émet un signal d'une "fin de préchauffage" et les écritures "FAST" et "PREHEAT" disparaissent. Le four change automatiquement sur le mode de cuisson désiré qui a été préalablement réglé : mettez le plat maintenant.



### AVERTISSEMENT

Garder la zone de l'appareil propre et exempte de matériaux combustibles, essence et autres vapeurs et liquides inflammables.

**Préchauffage du four**

- Préchauffez le four pour les modes de Cuisson, Convection Europ. et Convection Cuisson.
- Utilisez le mode de préchauffage rapide lorsqu'un bref délai est nécessaire pour préchauffer le four.
- Sélectionnez une température plus élevée ne réduit pas le temps de préchauffage.
- Le préchauffage est nécessaire pour de bons résultats lorsque vous cuisinez des gâteaux, des biscuits, des pâtisseries et du pain.
- Le préchauffage aidera à saisir les rôtis et à garder la viande juteuse.
- Places les grilles de four dans leur position appropriée avant le préchauffage.
- Pendant le préchauffage, la température de cuisson choisie est toujours affichée.
- Un signal va confirmer que le four est préchauffé et l'écriture "PREHEAT" s'éteindra.

**Suggestions d'utilisation**

- Utilisez les tableaux de cuisson comme guide.
- Ne posez pas les plats sur la porte ouverte.
- Utilisez la lumière intérieure du four pour voir la nourriture à travers la fenêtre de la porte du four plutôt que d'ouvrir la porte fréquemment.

**Ustensiles**

- Les plats en verre absorbent la chaleur. Réduisez la température du four de 25 °F (15 °C) lorsque vous utilisez des plats en verre.
- Utilisez des plats qui donnent le brunissage désiré. Le type du finissage du plat aide à déterminer le brunissage.
- Les plats métallisés lisses et brillants ou anodisés/antiadhésifs plus pâles réfléchissent la chaleur, donnant un brunissage plus léger, plus délicat. Les gâteaux et les biscuits nécessitent ce type de plat.
- Les plats mats, rugueux, foncés vont absorber la chaleur donnant une croûte plus brune plus croustillante. Utilisez ceux-ci pour les tartes.
- Pour des croûtes croustillantes, brunes, utilisez des plats anodisés/antiadhésifs ou foncés ou en métal mat ou en verre. Des plats isolés peuvent augmenter le temps de cuisson.
- Ne cuisez pas avec le gril vide dans le four, cela pourrait changer la performance de cuisson. Rangez-le en dehors du four.

**Condensation du four et température**

- Il est normal qu'une certaine quantité d'humidité s'évapore des aliments pendant la cuisson. La quantité dépend de l'humidité contenue dans la nourriture. L'humidité peut se condenser sur toute surface plus froide que l'intérieur du four, comme le tableau de commande.
- Votre nouveau four a un capteur électronique de température qui permet de maintenir soigneusement la température sélectionnée. Votre ancien four devait avoir un thermostat mécanique qui passait graduellement à une température plus élevée. Il est normal que vous ayez à ajuster vos recettes préférées en cuisinant dans un nouveau four.

**Cuisson à haute altitude**

- Lorsque vous cuisinez à haute altitude, les recettes et les durées de cuisson varient de la norme.

**Branchement de 120/240 ou de 120/208 Volt**

- La plupart des installations de four auront un branchement de 120/240.
- Si votre four est installé avec une tension de 120/208, le temps de préchauffage peut être légèrement plus long qu'avec une tension de 120/240.
- Le four est conçu pour garantir le même temps de nettoyage à 208V. La cuisinière est configurée pour fonctionner en utilisant une plage de tension de 120/240V. Reportez-vous aux Instructions d'Installation pour savoir comment configurer correctement le four électrique pour obtenir une performance à une tension de 120/208.

**Grilles de four**

- Le four est pourvu de guides de grilles à six niveaux comme indiqué dans l'illustration Page 7.
- Les positions sont numérotées du bas (n° 1) vers le haut (n° 6).
- Vérifiez le tableau des cuissons pour la meilleure position de la grille à utiliser pendant la cuisson.
- Chaque niveau de guide comprend des supports par paire formés dans les parois de chaque côté du four.
- Assurez-vous de toujours placer les grilles avant d'allumer votre four. Assurez-vous que les grilles sont au bon niveau lorsqu'elles sont placées.

**Veillez-vous reporter à l'illustration Page 7 si vous avez des questions comme savoir où est le devant de la grille.**

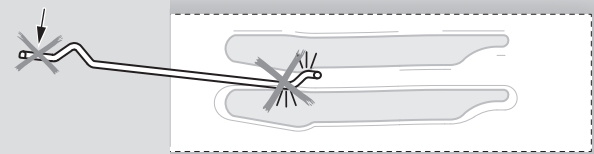
- Les grilles sont dessinées pour s'arrêter lorsqu'elles sont poussées jusqu'à leur limite.

**REMARQUE!**

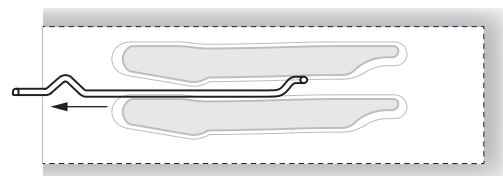
N'utilisez jamais de feuille en aluminium pour couvrir les grilles ou le fond du four. La chaleur coincée sous l'aluminium peut causer des dégâts au four.

**ATTENTION**

**Veillez à ne pas forcer pour éviter d'endommager l'émail**

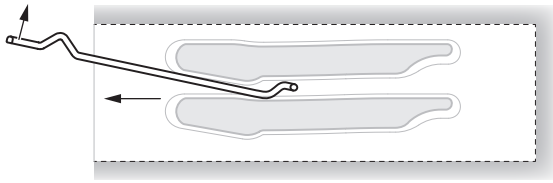
**Pour enlever les grilles:**

1. Tirez-les vers vous



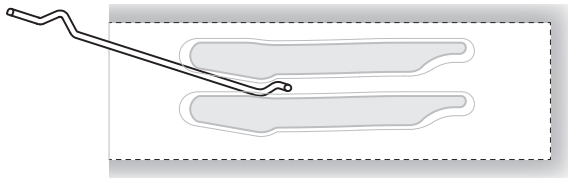


2. Soulevez-les vers devant et ensuite enlever-les

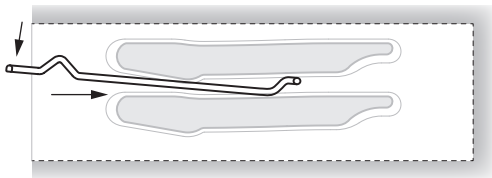


### Pour remplacer une grille:

1. Placez l'arrière de la grille entre les guides de niveau de grille



2. En soulevant vers le haut la grille, faites-la glisser tout le long en baissant le devant



### Grille rallonge

- Cette grille facilite l'accès aux aliments cuisants. Elle s'allonge plus que la grille standard pour rapprocher les aliments de l'utilisateur.



### ATTENTION

Lorsque la grille est hors du four, les bras latéraux ne se verrouillent pas, ils peuvent s'allonger de façon inattendue si la grille est tirée incorrectement et causes des blessures.

**La grille doit être tenue ou tirée en saisissant les côtés.**

**NOTE:** Toujours enlever la grille rallonge avant l'autonettoyage.



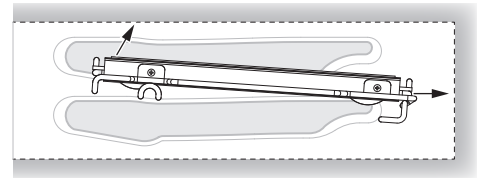
### ATTENTION

Pour éviter les brûlures, tirer complètement la grille et soulever la casserole audessus de la poignée au moment de transférer des aliments hors du et dans le four.

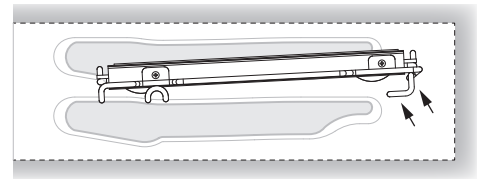
Veuillez-vous reporter à l'illustration Page 7 si vous avez des questions comme savoir où est le devant de la grille.

### Retrait du four:

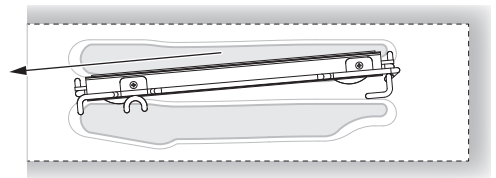
1. Soulevez légèrement la grille et poussez-la vers l'arrière du four jusqu'à ce que la butée se dégage.



2. Soulever l'arrière de la grille jusqu'à ce que le cadre et la butée se dégagent du guide

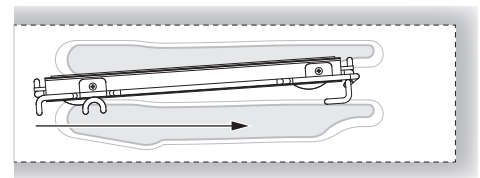


3. Tirer vers le bas et sortir

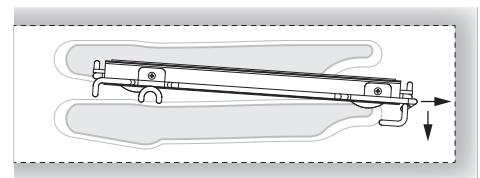


### Mise en place dans le four:

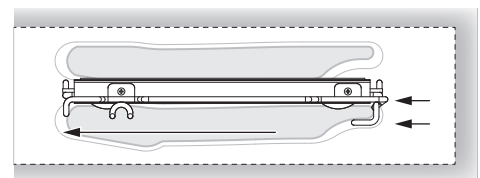
1. Saisir la grille fermement par les côtés. Placer la grille et le cadre au-dessus du guide de grille désiré



2. Pousser au fond jusqu'à ce que l'arrière de la grille se mette en position



3. Tirer les deux sections vers l'avant jusqu'à la butée. La grille doit être droite et non croche

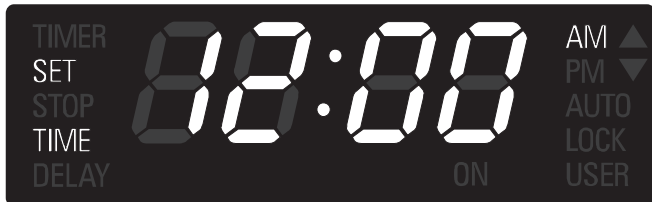


L'heure est affichée en heures et en minutes.

Réglez toujours la pendule immédiatement après une installation, la pendule affiche 12:00<sup>AM</sup>. L'horloge va apparaître pendant toutes les opérations du four sauf lorsque la minuterie ou toutes autres opérations de cuisson minutées est en cours. Le four est préréglé sur midi et il indique <sup>AM</sup> et <sup>PM</sup>.

### Pour régler l'horloge

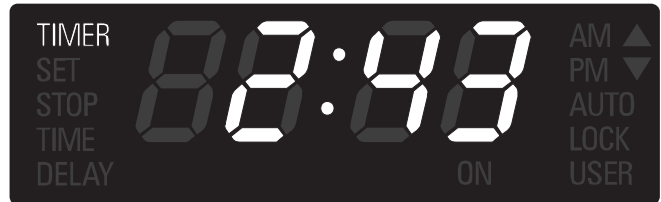
1. Effleurez **TIME** jusqu'à ce que l'affichage indique l'écriture "SET TIME".
2. Effleurez **+** ou **-** pour régler le temps désiré, les heures vont clignoter : continuez jusqu'à ce que l'heure correcte et l'indication AM ou PM soient sélectionnées.
3. Effleurez **TIME** à nouveau pour confirmer l'heure et les minutes vont commencer à clignoter.
4. Effleurez **+** ou **-** pour régler les minutes désirées ou appuyez sur la clé pour changer par étape de 10 minutes.
5. Effleurez **TIME** à nouveau ou attendez pendant 5 secondes afin de confirmer l'horloge.



**NOTE:** L'heure ne peut pas être réglée si aucune fonction horloge n'est déjà fixée: d'abord effacez toutes les fonctions horloge actives.












### Pour régler la minuterie

1. Effleurez **TIME** jusqu'à ce que l'affichage indique l'écriture "TIMER".
2. Effleurez **+** ou **-** pour régler la minuterie désirée, les heures vont clignoter : continuez jusqu'à ce que la valeur désirée soit réglée.
3. Effleurez **TIME** à nouveau pour confirmer l'heure et les minutes qui vont clignoter.
4. Effleurez **+** ou **-** pour régler la valeur des minutes désirée ou maintenez la clé pour changer par étape de 10 minutes.
5. Effleurez **TIME** à nouveau ou attendez pendant 5 secondes afin de confirmer l'heure.
6. "TIMER" est affichée de façon constante.
7. Lorsque la minuterie expire, un rappel bipe prenant 15 minutes ou jusqu'à ce que vous appuyez sur la clé **TIME**.
8. Le format de minuterie est normalement HR:MIN, devenant MIN:SEC pendant la dernière minute.
9. La valeur affichée est toujours arrondie à la minute inférieure.



## Pour régler un mode de cuisson et température

- Les modes de cuisson peuvent être sélectionnés en déplaçant le bouton de mode de cuisson sur la position voulue. Pour sélectionner Nettoyage, le bouton de température doit être également placé sur la position Nettoyage appropriée..

Réglage du mode de cuisson	
OFF	ARRET (OFF)
	CONVECTION EUROPEENNE (CONV BAKE)
	CONVECTION BROIL (CONV BROIL)
	CONVECTION CUISSON (CONV ROAST)
	PIZZA (MULTI PIZZA)
	CUISSON (BAKE)
	BROIL (BROIL)
	DECONGLEATION (CONV)
	RECHAUFFEMENT (WARM)
	RECHAUFFMENT (WARM PLUS)
	DESHYDRATATION (CONV DEHY)
	AUTO NETTOYANT





- Sélectionnez la température voulue en déplaçant le sélecteur ou en le laissant sur la position PRE-SEL si la valeur proposée est bonne. La température peut être changée par étapes de 5°F ou 5°C.
- La cavité va commencer à chauffer, l'écriture "ON" est affichée lorsque la cavité est activée, la lumière du four est allumée.
- Le voyant de préchauffage va s'allumer. Lorsque le four est préchauffé, il va bipier et la lumière rouge s'éteint.
- Pour changer la température pendant une cuisson, tournez simplement le bouton de température jusqu'à ce que l'affichage indique la valeur voulue.
- Placez le sélecteur de mode de cuisson sur [ARRET] si vous voulez arrêter la cuisson.
- Appuyez sur **SMALL/LARGE** pour choisir la cavité voulue et vérifiez la température correspondante ou la minuterie lorsqu'il n'a pas lieu de les modifier.



- Les triangles dans le coin supérieur droit sont activés lorsqu'une cavité fonctionne, même si elle n'est pas sélectionnée sur l'affichage.

## En utilisant la clé **MENU** pour sélectionner les fonctions de basse température

- Déplacer le sélecteur de mode de cuisson sur la position basse temp., une des fonctions suivantes est affichée:

Réglage du mode de cuisson	
	DECONGLEATION (CONV)
	RECHAUFFEMENT (WARM)
	RECHAUFFMENT (WARM PLUS)
	DESHYDRATATION (CONV DEHY)

- Effleurez la clé **MENU** pour alterner ces quatre modes.
- Le dernier utilisé est gardé en mémoire pour la prochaine sélection.

## Utilisation des lumières du four

- Si vous appuyez sur la touche **LIGHT** lorsque les deux fours sont éteints, les lumières vont s'allumer dans les fours supérieur et inférieur. Appuyez de nouveau sur la touche **LIGHT**, et les lumières des deux fours vont s'éteindre.
- Une simple touche lumière active les lumières.
- Les lumières du four s'allument et s'éteignent automatiquement lorsque la porte est ouverte ou fermée.
- Lorsqu'un four est en marche, les lumières du four s'allumeront automatiquement lorsqu'un mode démarre. Les lumières du four s'éteindront automatiquement lorsque le mode four est annulé.  
REMARQUE : Uniquement pour les fonctions basse température, la lumière s'éteint automatiquement au bout de 3 minutes. Appuyez sur le bouton LIGHT pour activer la lumière.
- Les lumières ne fonctionnent pas pendant l'autonettoyage.

## Pour contrôler manuellement les lumières intérieures du four lorsque les deux fours ou un seul four sont utilisés :

- Appuyez sur **SMALL/LARGE**, l'affichage va indiquer quel four est sélectionné.
- Appuyez sur **SMALL/LARGE** pour éclairer l'autre four.
- Effleurez **LIGHT** pour éteindre ou allumer la cavité désirée.

- Dans les modèles four double, les deux fours peuvent être réglés indépendamment pour mettre en place un mode programmé.
- Assurez-vous que la pendule indique l'heure correcte.
- Le mode programmé éteint le four à la fin du temps de cuisson.

### Pour régler le mode programme

1. Sélectionnez le four grâce à la clé **SMALL/LARGE**, si nécessaire.
2. Sélectionnez le mode de cuisson et la température grâce aux boutons. L'écriture "ON" va apparaître sur l'affichage.
3. Effleurez la clé **TIME** jusqu'à ce que l'écriture "TIME" apparaisse sur l'affichage.
4. Effleurez **+** ou **-**, les chiffres de l'heure vont clignoter. Continuez pour régler le temps de cuisson désiré. Gardez à l'esprit que le délai requis pour que le four atteigne la température doit être inclus dans le réglage du temps de cuisson.
5. Effleurez **TIME** à nouveau, les heures seront confirmées et les chiffres des minutes vont clignoter.
6. Effleurez **+** ou **-** pour changer les minutes. Appuyez sur la clé pour changer par étapes de 10 minutes. Continuez de régler le temps de cuisson désiré.
7. Effleurez **TIME** une fois encore ou attendez pendant quelques secondes pour confirmer la valeur du temps de cuisson.



### Pour retarder le démarrage du mode minuterie

Suivez les étapes 1 à 6.

- Effleurez la clé **TIME** jusqu'à ce que "STOP TIME" apparaisse sur l'affichage.
- Le contrôle calcule automatiquement et affiche la valeur initiale, en ajoutant le temps de cuisson déjà réglé sur l'heure.



- Effleurez **+** ou **-**, les chiffres de l'heure vont commencer à clignoter. Continuez de régler le temps d'arrêt désiré.
- Effleurez **TIME** encore, les heures seront confirmées et les

chiffres des minutes vont clignoter.

- Effleurez **+** ou **-** pour changer les minutes. Maintenez la clé pour changer par étape de 10 minutes. Continuez de régler le temps d'arrêt désiré.
- Effleurez **TIME** encore une fois ou attendez quelques secondes pour confirmer la valeur de temps d'arrêt.
- Avec ce dispositif, vous pouvez régler le moment où vous souhaitez que la cuisson s'achève. Le système électronique se servira du temps de cuisson programmé dans la série d'instructions précédente pour calculer automatiquement le moment où le four va se mettre en marche. L'inscription "DELAY" s'affiche jusqu'à ce que le moment du démarrage soit atteint.



### Lorsqu'un mode temporisé est en cours

- Dès que le four commence sa cuisson, l'affichage indique que le temps de cuisson et il décompte par étapes d'une minute. Le four va cuire pendant le temps programmé.
- Lorsque le temps expire, le four s'éteint automatiquement, les écritures "ON" et "TIME" commencent à clignoter, une "end of activity" émet des signaux sonores en séquence. Des bips de rappel sonneront jusqu'à quinze minutes jusqu'à ce qu'une clé soit effleurée afin de rappeler l'attention de l'utilisateur.

### Comment vérifier une valeurs temps

- S'il est nécessaire de vérifier une valeur temps qui n'est pas affichée, effleurez la clé **TIME** jusqu'à ce que la bonne écriture ne s'affiche pour voir la valeur désirée pendant 5 secondes.
- Exemple : si la valeur temps est affichée et que vous voulez vérifier le temps de cuisson, effleurez la clé **TIME** jusqu'à ce que "TIME" s'affiche pour voir le temps de cuisson pendant 5 secondes.



Ce four est pourvu d'une sonde thermique pour viande pour capter la température dans la viande et arrêter la cuisson dès que la valeur réglée est atteinte. Dans un double four, elle n'est disponible que dans la cavité supérieure. Les modes suivants peuvent être sélectionnés pour travailler avec la sonde thermique pour viande :

**CONVECTION EUROPEENNE (CONV BAKE)  
CONVECTION CUISSON (CONV ROAST)  
CUISSON (BAKE)**

Les autres modes empêchent le démarrage si la sonde est insérée.

Dès que la sonde thermique a été insérée dans son réceptacle et qu'elle est détectée par la commande, tournez le bouton de mode de cuisson sur une position correcte, l'écriture PROBE apparaît sur l'affichage de mode de cuisson avec la fonction sélectionnée.



La température standard de la sonde thermique pour viande (170°F) clignote sur le module horloge pendant 5 secondes. En utilisant les clés **+** / **-**, il est possible de changer le réglage de la sonde thermique.

Le point de réglage de la température standard de la sonde thermique est de 170°F. La fourchette possible est entre 130°F et 210°F. La température maximum de la cavité pendant la cuisson avec la sonde thermique pour viande est de 475°F. La résolution doit être entre 5°F ou 2,5°C pour le réglage et la température du moment.

Après 5 secondes, la valeur sur l'affichage est acceptée et la commande démarre la cuisson. La température de la sonde thermique est maintenant affichée.



Effleurez **+** ou **-** une fois pour vérifier le réglage de la température de la sonde thermique. Lorsqu'il clignote, maintenez pour modifier la valeur.

Dès que la température de la sonde thermique est atteinte, la commande envoie un bip de fin de cuisson et arrête le four.

Tournez toujours le mode de cuisson sur la position Arrêt avant de ré-utiliser le four. L'écriture PROBE va clignoter lorsque le mode n'est pas valable pour la cuisson avec la sonde thermique.

Si la sonde thermique est enlevée pendant la cuisson, ou en cas de coupure de courant, un message d'erreur doit s'afficher.

Les fonctions horloge automatique sont désactivées lorsque vous utilisez la sonde thermique pour viande, uniquement la minuterie peut fonctionner.

La cuisson est une sorte de cuisson à air chaud.

Les éléments supérieur et inférieur sont utilisés pour chauffer l'air mais le ventilateur n'est pas utilisé pour faire circuler la chaleur. Suivez la recette ou les instructions pour la température de cuisson et la position de la grille. Le temps de cuisson varie avec la température des ingrédients et leur taille, leur forme et la finition du plat de cuisson.

### Guides générales

- Pour de meilleurs résultats, cuisiner les aliments, cuisinez sur une simple grille avec au moins 1" - 1 1/2" (2,5 - 3 cm) d'espace entre les plats et les parois du four.
- N'utilisez qu'une grille lorsque vous choisissez le mode cuisson.
- Vérifiez la cuisson au temps minimum.
- Utilisez des plats en métal (avec une finition antiadhésive ou non), en verre résistant à la chaleur, en verre céramique, en poterie ou d'autres plats appropriés au four.
- Lorsque vous utilisez un plat en verre résistant à la chaleur, réduisez la température de 25°F (15°C) par rapport à la température recommandée.
- Utilisez des plats avec ou sans bord.
- Des plats en métal foncé ou avec des finitions non adhésives cuiront plus vite en brunissant plus le met. Des plats isolés ralentiront légèrement le temps de cuisson dans la plupart des cas.

- N'utilisez pas de feuille en aluminium ou de plateaux en aluminium. Une feuille est un excellent isolant de chaleur et donc la chaleur sera attrapée dessous. Cela altère la performance de cuisson et cela endommage la finition du four.
- Évitez de placer sur la porte ouverte des plats.
- Veuillez lire 46 Solution des problèmes de cuisson.

### TABLEAU DE CUISSON - CAVITÉ DE CONVECTION

ALIMENTS	POSITION DE GRILLE	TEMP. °F (°C) (FOUR PRÉCHAUFFE)		TEMPS (MIN)
<b>GÂTEAU</b>				
Petits gâteaux	2	350	(175)	19 - 22
Gâteau bundt	1	350	(175)	40 - 45
Gâteau des anges	1	350	(175)	35 - 39
<b>TARTE</b>				
2 croûtes, fraîches, 9po	2	375 - 400	(190 - 205)	45 - 50
2 croûtes, fruits surgelés, 9po	2	375	(190)	68 - 78
<b>BISCUIT</b>				
Sucre	2	350 - 375	(175 - 190)	8 - 10
Brisures de chocolat	2	350 - 375	(175 - 190)	8 - 13
Carrés au chocolat (brownies)	2	350	(175)	29 - 36
<b>PAINS</b>				
Pain à levure, 9x5	2	375	(190)	18 - 22
Petits pains à levure	2	375 - 400	(190 - 205)	12 - 15
Biscuits	2	375 - 400	(190 - 205)	7 - 9
Muffins	2	425	(220)	15 - 19
<b>PIZZA</b>				
Surgelée	2	400 - 450	(205 - 235)	23 - 26
Fraîche	2	475	(246)	15 - 18

Réduisez les températures de recette de cuisson de 25°F (15°C).

- Pour de meilleurs résultats, il faut cuire les aliments non couverts, dans des plats à bord bas pour mieux profiter de la circulation d'air forcé. Utilisez des plats en aluminium brillant pour de meilleurs résultats à moins que cela soit spécifié autrement.
- Le verre résistant à la chaleur et la céramique peuvent être utilisés. Réduisez encore la température de 25°F (15°C) si vous utilisez un verre résistant à la chaleur, donc une réduction totale de 50°F (30°C).
- Les plats en métal foncé peuvent être utilisés. Notez que la nourriture peut brunir plus vite lorsque vous utilisez un plat en métal foncé.
- Le nombre de grilles utilisées est déterminé par la hauteur des aliments à cuire.
- Les aliments cuits, en général, cuisent extrêmement bien avec la convection. N'essayez pas de convertir des recettes comme les crèmes anglaises, les quiches, les tartes à la citrouille, les tartes au fromage, qui ne tirent pas de bénéfice de la convection. Utilisez le mode de cuisson normal pour ces recettes.
- Plusieurs grilles de cuisson sont disponibles aux positions 1, 2, 3, 4 et 5. Les 5 grilles peuvent être utilisées pour des gâteaux, des biscuits et des biscuits apéritifs.
  - 2 grille de cuisson : Utilisez positions 1 et 3.
  - 3 grille de cuisson : Utilisez positions 2, 3 et 4 ou 1, 3 et 5.
  - Lorsque vous cuisez plusieurs gâteaux en même temps, distribuez les plats de telle façon qu'ils ne soient pas juste l'un au-dessus de l'autre. Pour de meilleurs résultats, placez les gâteaux devant sur la grille du dessus et à l'arrière sur la grille du dessous. (Voyez le dessin à droite). Laissez 1" - 1 1/2" (2,5 - 3 cm).
- La conversion de votre propre recette peut être facile. Choisissez une recette qui sera avantagée par la cuisson par convection.
- Réduisez la température et le temps de cuisson si nécessaire. Il peut parfois y avoir des essais et des erreurs avant d'arriver au résultat parfait. Gardez des traces de votre technique pour la prochaine préparation à convection.
- Veuillez lire 46 Solution des problèmes de cuisson.

### Aliments recommandés pour le mode convection européenne

Biscuits apéritifs Biscuits pour café Gâteaux

Biscuits (2 à 4 grilles) levure pains

Choux à la crème

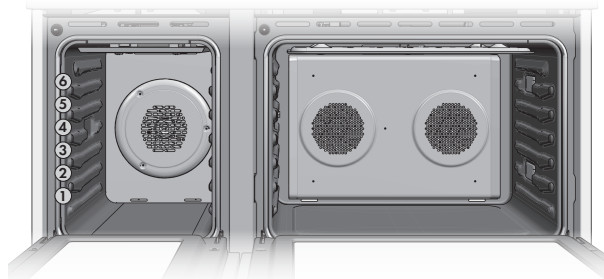
Popovers

Casseroles et Entrées un plat

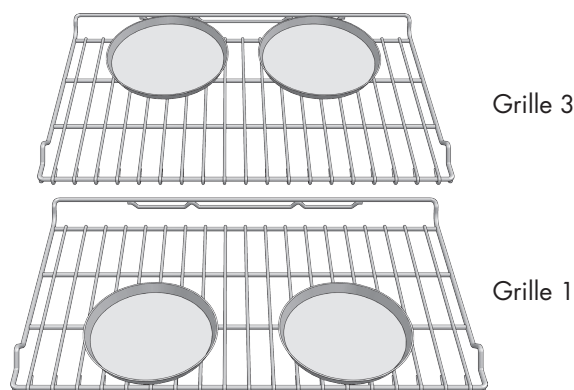
Plats à four (grille positions 1, 2, 3)

Aliments levés à la levure (Soufflés, Meringue, Desserts garnis de meringue, Gâteaux ange, Gâteaux mousseline)

### POSITION DES GRILLES



### POSITIONS DES MODULES PLUSIEURS GRILLES



### Conseils rapides et faciles de recette

Convertir de la CUISSON à la CONVECTION EUROPÉENNE:

- Réduisez la température de 25°F (15°C).
- Utilisez le même temps de cuisson que la cuisson normale si la durée est de 10 à 15 minutes.
- Les aliments avec un temps de cuisson de moins de 30 minutes doivent être vérifiés pour leur cuisson 5 minutes plus tôt que dans les recettes standard.
- Si la nourriture cuit plus de 40 - 45 minutes, réduisez le temps de cuisson de 25%.

## Tableau de convection européenne

Réduisez la température standard des recettes de 25 °F (15 °C) pour la convection européenne  
Les températures ont été réduites dans ce tableau.

Tableau de convection européenne - CAVITÉ DE CONVECTION			
ALIMENTS	POSITION DE GRILLE	TEMP. °F (°C) (FOUR PRÉCHAUFFE)	TEMPS (MIN)
<b>GÂTEAU</b>			
Petits gâteaux	2	325 (160)	20 - 22
Gâteau bundt	1	325 (160)	43 - 50
Gâteau des anges	1	325 (160)	43 - 47
<b>TARTE</b>			
2 croûtes, fraîches, 9po	2	350 - 400 (175 - 205)	40 - 52
2 croûtes, fruits surgelés, 9po	2	350 (175)	68 - 78
<b>BISCUIT</b>			
Sucre	2	325 - 350 (160 - 175)	9 - 12
Brisures de chocolat	2	325 - 350 (160 - 175)	8 - 13
Carrés au chocolat (brownies)	2	325 (160)	29 - 36
<b>PAINS</b>			
Pain à levure, 9x5	2	350 (175)	18 - 22
Petits pains à levure	2	350 - 375 (175 - 190)	12 - 15
Biscuits	2	375 (190)	8 - 10
Muffins	2	400 (205)	17 - 21
<b>PIZZA</b>			
Surgelée	2	375 - 425 (190 - 220)	23 - 26
Fraîche	2	450 (232)	15 - 18

Tableau de convection européenne - DOUBLE CAVITÉ DE CONVECTION			
ALIMENTS	POSITION DE GRILLE	TEMP. °F (°C) (FOUR PRÉCHAUFFE)	TEMPS (MIN)
<b>GÂTEAU</b>			
Petits gâteaux	2	325 (160)	16 - 18
Gâteau bundt	1	325 (160)	37 - 43
Gâteau des anges	1	325 (160)	35 - 39
<b>TARTE</b>			
2 croûtes, fraîches, 9po	2	350 - 400 (175 - 205)	35 - 45
2 croûtes, fruits surgelés, 9po	2	350 (175)	68 - 78
<b>BISCUIT</b>			
Sucre	2	325 - 350 (160 - 175)	6 - 9
Brisures de chocolat	2	325 - 350 (160 - 175)	8 - 13
Carrés au chocolat (brownies)	2	325 (160)	29 - 36
<b>PAINS</b>			
Pain à levure, 9x5	2	350 (175)	18 - 22
Petits pains à levure	2	350 - 375 (175 - 190)	12 - 15
Biscuits	2	375 (190)	6 - 8
Muffins	2	400 (205)	13 - 16
<b>PIZZA</b>			
Surgelée	2	375 - 425 (190 - 220)	23 - 26
Fraîche	2	450 (232)	15 - 18

Ce tableau est un guide. Suivez votre recette ou les directions de l'emballage et réduisez les températures de façon appropriée.



- Ne pas préchauffez le rôtissage à convection.
- Rôtissez dans un plat peu profond et non couvert.
- Lorsque vous rôtissez des poulets entiers ou des dindes, groupez les ailes et attachez légèrement les pattes avec une ficelle de cuisine.
- Utilisez le plat de grill 2-pièces pour les rôtissages non-couverts.
- Utilisez la sonde ou le thermomètre pour déterminer la cuisson intérieure sur la température "END" (fin) (voir le tableau de cuisson).
- Vérifiez de nouveau la température de la viande/volaille en insérant le thermomètre à viande dans une autre position.
- Les gros oiseaux doivent aussi être recouverts d'une feuille (et les plats rôtis) pendant une certaine durée de la cuisson pour empêcher que le plat ne soit brûlé.

### Conseils de recettes faciles et rapides

Conversion de la **CUISSON** au **CONVECTION CUISSON**:

- Les températures ne doivent pas être diminuées.
- Les rôtis, les gros morceaux de viande et de volaille prennent généralement de 10 à 20% moins de temps. Vérifiez la cuisson plus tôt.
- Casseroles ou plat à rôtir qui sont cuits couverts par ROTISSAGE A CONVECTION cuiront le même temps que

- La température minimum de sécurité pour la farce dans la volaille est de 165°F (75°C).
- Après avoir enlever l'objet du four, couvrez sans serrer avec une feuille pendant 10 à 15 minutes avant le découpage s'il est nécessaire d'augmenter la température de l'aliment de 5 à 10 °F (3 à 6 °C).

**Tableau de convection cuisson - CAVITÉ DE CONVECTION**

VIANDES	POIDS (lb)	TEMP. FOUR °F (°C)	POSITION GRILLE	TEMPS RÔTISSAGE (min. per lb)	TEMP. INTERNE °F (°C)
<b>BOEUF</b>					
<b>Côte de boeuf</b>	4 - 6	325 (160)	2	16 - 20 18 - 22	145 (63) med saignant 160 (71) médium
<b>Rosbif de faux-filet (sans os)</b>	4 - 6	325 (160)	2	16 - 20 18 - 22	145 (63) med saignant 160 (71) médium
<b>Pointe de surlonge (sans os)</b>	3 - 6	325 (160)	2	16 - 20 18 - 22	145 (63) med saignant 160 (71) médium
<b>Filet</b>	2 - 3	400 (205)	2	15 - 20	145 (63) med saignant
<b>PORC</b>					
<b>Longe de porc (sans os ou avec os)</b>	5 - 8	350 (175)	2	16 - 20	160 (71) médium
<b>Épaule</b>	3 - 6	350 (175)	2	20 - 25	160 (71) médium
<b>VOLAILLE</b>					
<b>Poulet-entier</b>	3 - 4	375 (190)	2	18 - 21	180 (82)
<b>Dinde non farcie</b>	12 - 15	325 (160)	1	10 - 14	180 (82)
<b>Dinde non farcie</b>	16 - 20	325 (160)	1	9 - 11	180 (82)
<b>Dinde non farcie</b>	21 - 25	325 (160)	1	6 - 10	180 (82)
<b>Poitrine</b>	3 - 8	325 (160)	1	15 - 20	170 (77)
<b>Poulet de Comouailles</b>	1 - 1½	350 (175)	2	45 - 75 total	180 (82)
<b>AGNEAU</b>					
<b>Demi gigot</b>	3 - 4	325 (160)	2	22 - 27 28 - 33	160 (71) médium 170 (77) bien cuit
<b>Gigot entier</b>	6 - 8	325 (160)	1	22 - 27 28 - 33	160 (71) médium 170 (77) bien cuit

Tableau de convection cuisson - DOUBLE CAVITÉ DE CONVECTION					
VIANDES	POIDS (lb)	TEMP. FOUR °F (°C)	POSITION GRILLE	TEMPS RÔTISS-AGE (min. per lb)	TEMP. INTERNE °F (°C)
<b>BOEUF</b>					
<b>Côte de boeuf</b>	4 - 6	325 (160)	2	18 - 22 20 - 25	145 (63) med saignant 160 (71) médium
<b>Rosbif de faux-filet (sans os)</b>	4 - 6	325 (160)	2	18 - 22 20 - 25	145 (63) med saignant 160 (71) médium
<b>Pointe de surlonge (sans os)</b>	3 - 6	325 (160)	2	18 - 22 20 - 25	145 (63) med saignant 160 (71) médium
<b>Filet</b>	2 - 3	425 (220)	2	15 - 20	145 (63) med saignant
<b>PORC</b>					
<b>Longe de porc (sans os ou avec os)</b>	5 - 8	350 (175)	2	18 - 22	160 (71) médium
<b>Épaule</b>	3 - 6	350 (175)	2	20 - 25	160 (71) médium
<b>VOLAILLE</b>					
<b>Poulet-entier</b>	3 - 4	375 (190)	2	20 - 23	180 (82)
<b>Dinde non farcie</b>	12 - 15	325 (160)	1	10 - 14	180 (82)
<b>Dinde non farcie</b>	16 - 20	325 (160)	1	9 - 11	180 (82)
<b>Dinde non farcie</b>	21 - 25	325 (160)	1	6 - 10	180 (82)
<b>Poitrine</b>	3 - 8	325 (160)	1	15 - 20	170 (77)
<b>Poulet de Comouailles</b>	1 - 1½	350 (175)	2	45 - 75 total	180 (82)
<b>AGNEAU</b>					
<b>Demi gigot</b>	3 - 4	325 (160)	2	20 - 27 25 - 32	160 (71) médium 170 (77) bien cuit
<b>Gigot entier</b>	6 - 8	325 (160)	1	20 - 27 25 - 32	160 (71) médium 170 (77) bien cuit

Les temps de cuisson sont indiqués et ils dépendent également de l'épaisseur de la viande et de la température de départ de celle-ci avant la cuisson.

- Placez le gril dans la position appropriée avant d'allumer votre four.
- Utilisez le gril à convection avec la porte fermée.
- Ne pas préchauffé pour le four.
- Utilisez le plat de rôtissage à 2-pièces.
- Tourner les viandes une fois à mi-cuisson du temps de cuisson recommandé (voir le tableau de gril à convection).

<b>Tableau de convection gril - CAVITÉ DE CONVECTION</b>						
ALIMENTS ET ÉPAISSEUR	POSITION DE GRILLE	REGLAGE DU GRIL °F (°C)		TEMP. INTERNE °F (°C)	TEMPS CÔTÉ 1 (MIN.)*	TEMPS CÔTÉ 2 (MIN.)*
<b>BEOUF STEAK (1-1/2PO OU PLUS)</b>						
Médium saignant	4	450	(235)	145 (65)	9 - 12	8 - 10
Médium	4	450	(235)	160 (71)	11 - 13	10 - 12
Bien cuit	4	450	(235)	170 (77)	18 - 20	16 - 17
<b>HAMBURGERS (PLUS QUE 1 PO)</b>						
Médium	4	550	(290)	160 (71)	8 - 11	5 - 7
Bien cuit	4	550	(290)	170 (77)	11 - 13	8 - 10
<b>Volaille</b>						
Poitrine (avec os)	4	450	(235)	180 (82)	16 - 18	10 - 13
Deux demi poulets	3	450	(235)	180 (82)	25 - 27	15 - 18
Cuisses	4	450	(235)	170 (77)	13 - 15	9 - 13
<b>PORC</b>						
Porc Cotelettes (1¼po ou plus)	4	450	(235)	160 (71)	12 - 14	11 - 13
Saucisses fraîches	4	450	(235)	160 (71)	4 - 6	3 - 5

\* Temps de gril à convection sont approximatifs et peuvent varier  
 Les temps de cuisson sont indiqués et ils dépendent également de l'épaisseur de la viande et de la température de départ de celle-ci avant la cuisson.

<b>Tableau de convection gril - DOUBLE CAVITÉ DE CONVECTION</b>						
ALIMENTS ET ÉPAISSEUR	POSITION DE GRILLE	REGLAGE DU GRIL °F (°C)		TEMP. INTERNE °F (°C)	TEMPS CÔTÉ 1 (MIN.)*	TEMPS CÔTÉ 2 (MIN.)*
<b>BEOUF STEAK (1-1/2PO OU PLUS)</b>						
Médium saignant	4	450	(235)	145 (65)	11 - 13	10 - 12
Médium	4	450	(235)	160 (71)	15 - 17	13 - 15
Bien cuit	4	450	(235)	170 (77)	16 - 18	13 - 15
<b>HAMBURGERS (PLUS QUE 1 PO)</b>						
Médium	4	550	(290)	160 (71)	9 - 11	5 - 8
Bien cuit	4	550	(290)	170 (77)	11 - 13	8 - 10
<b>Volaille</b>						
Poitrine (avec os)	4	450	(235)	180 (82)	18 - 20	13 - 15
Deux demi poulets	3	450	(235)	180 (82)	25 - 27	15 - 18
Cuisses	4	450	(235)	170 (77)	14 - 16	10 - 14
<b>PORC</b>						
Porc Cotelettes (1¼po ou plus)	4	450	(235)	160 (71)	13 - 15	12 - 14
Saucisses fraîches	4	450	(235)	160 (71)	4 - 6	3 - 5

\* Temps de gril à convection sont approximatifs et peuvent varier  
 Les temps de cuisson sont indiqués et ils dépendent également de l'épaisseur de la viande et de la température de départ de celle-ci avant la cuisson.

- La déshydratation peut être effectuée en utilisant une température plus basse et l'air chauffé en circulation élimine lentement l'humidité pour la conservation des aliments.
- Choisir la cuisson par convection comme mode de chauffage lors de la déshydratation
- Les températures de déshydratation recommandées sont 120°F (50°C) à 160°F (70°C).
- Plusieurs racks peuvent être utilisés simultanément.
- Certains aliments ont besoin de 14 à 15 heures pour se déshydrater complètement.
- Consultez un livre sur la conservation des aliments pour les temps spécifiques et la manipulation des divers aliments.
- Cette méthode convient à une variété de fruits, légumes, fines herbes et lanières de viande.
- Les tamis de séchage peuvent être achetés dans les magasins de cuisine spécialisés.
- En utilisant des serviettes en papier, une partie de l'humidité des aliments peut être absorbée avant le début de la déshydratation (par exemple avec les tomates ou les pêches coupées en tranches).

### Tableau de grillade à déshydratation

ALIMENT	PRÉPARATION	TEMPS DE SECHAGE APPROX. * (heures)	VERIFIER LA CUISSON
<b>FRUIT</b>			
<b>Pommes</b>	Dans jus de citron ¼ t. et 2 t. d'eau, tranches ¼ Po	11 - 15	Légèrement pliables
<b>Bananas</b>	Dans jus de citron ¼ t. et 2 t. d'eau, tranches ¼ Po	11 - 15	Légèrement pliables
<b>Cerises</b>	Laver et assécher à la serviette. Pour les cerises fraîches, dénoyauter	10 - 15	Piables, tannees, moelleuses
<b>Pelures d'orange et tranches</b>	¼ Po d'épaisseur; partie de la pelure finement pelée	Pelures: 2 - 4 Tranches: 12 - 16	Orange pelee: séchée et cassante. Tranches: sèches et cassantes, fruitm légèrement humide
<b>Tranches d'ananas</b>	Séchées a la serviette	En boîte: 9 - 13 Fraîches: 8 - 12	Souples et pliables
<b>Fraises</b>	Lavées et sechées à la serviette. Tranches ½po d'épaisseur, dessus sur la grille	12 - 17	Sèches et cassantes
<b>LÉGUMES</b>			
<b>Poivrons</b>	Lavées et sechés à la serviette. Retirer la membrane, grssièrement couplés environ 1 Po	16 - 20	Cassants sans humidité à l'intérieur
<b>Champignons</b>	Lavées et sechés à la serviette. Couper la tige. Morceaux de 1/8 Po	7 - 12	Fermes et cassant, secs
<b>Tomates</b>	Lavées et sechés à la serviette. Tranches minces 1/8 Po d'épaisseur. Bien drainer	16 - 23	Sèches, rouge
<b>FINES HERBES</b>			
<b>Origan, sauge, persil et thym, et fenouil</b>	Rincer et assécher à la servette	Sécher à 120°F (60°C) 3 - 5	Croustillant et cassant
<b>Basilique</b>	Feuilles 3 à 4 Po du haut. Vaporiser d'eau, secouer et assécher	Sécher à 120°F (60°C) 3 - 5	Croustillant et cassant

- Placez le gril dans la position appropriée avant d'allumer votre four.
- Utilisez le gril à convection avec la porte fermée.
- Préchauffez le four pendant 5 minutes avant utilisation.
- Utilisez le plat de rôtissage à 2-pièces.
- Enduisez les viandes d'huile de cuisson ou du beurre pour qu'elles n'attachent pas.
- Tourner les viandes une fois à mi-cuisson du temps de cuisson recommandé (voir le tableau grill).

Tableau de grill					
ALIMENTS ET ÉPAISSEUR	POSITION DE GRILLE	REGLAGE DU GRIL	TEMP. INTERNE °F (°C)	TEMPS CÔTÉ 1 (MIN.)*	TEMPS CÔTÉ 2 (MIN.)*
<b>BEOUF</b>					
<b>Steak (¾ à 1 po)</b>					
<b>Médium saignant</b>	5	5	145 (63)	5 - 7	4 - 4
<b>Médium</b>	5	5	160 (71)	6 - 8	5 - 7
<b>Bien cuit</b>	5	5	170 (77)	8 - 10	7 - 9
<b>HAMBURGERS (¾ À 1 PO)</b>					
<b>Médium</b>	4	5	160 (71)	8 - 11	6 - 9
<b>Bien cuit</b>	4	5	170 (77)	10 - 3	8 - 10
<b>Volaille</b>					
<b>Poitrine (avec os)</b>	4	4	170 (77)	0 - 2	8 - 10
<b>Cuisses (bien cuit)</b>	4	3	180 (82)	28 - 30	13 - 15
<b>PORC</b>					
<b>Porc Cotelettes (1 po)</b>	5	5	160 (71)	7 - 9	5 - 7
<b>Saucisses fraîches</b>	5	5	160 (71)	5 - 7	3 - 5
<b>Tranche de jambon (½ po)</b>	5	5	160 (71)	4 - 6	3 - 5
<b>SEAFOOD</b>					
<b>Fruits de mer</b>					
<b>Filets de poisson (1 po)</b>	4	4	Cuire jusqu'à opaticé et que l'aliment se défasse facilement avec une fourchette	10 - 14	Ne pas tourner
<b>Beurrés</b>					
<b>AGENAU</b>					
<b>Côtelettes (1 po)</b>					
<b>Médium saignant</b>	5	5	145 (63)	5 - 7	4 - 6
<b>Médium</b>	5	5	160 (71)	6 - 8	4 - 6
<b>Well</b>	5	5	170 (77)	7 - 9	5 - 7
<b>BIEN CUIT</b>					
<b>Pain</b>	4	5		2 - 2.30	
<b>À l'ail (1 po) tranches</b>	3	5		4 - 4	

\* Temps de grill à convection sont approximatifs et peuvent varier. Les temps de cuisson sont indiqués et ils dépendent également de l'épaisseur de la viande et de la température de départ de celle-ci avant la cuisson.

Guide de temperature de service de la FSIS (Service d'inspection et securute des aliments USDA)			
<b>140°F (60°C)</b>	Jambon précuit (pour réchauffer)	<b>165°F (74°C)</b>	Farce (seule ou dans une voaille)
<b>145°F (63°C)</b>	Boeuf, veau, agneau frais (médium saignant)		Restes, casseroles
<b>160°F (71°C)</b>	Viande hachee et melange de viande (boeuf, porc, veau, agneau)	<b>170°F (77°C)</b>	Boeuf, veau, agneau frais (bien cuit)
	Boeuf, veau, agneau frais (médium saignant)		Poitrine de volaille
	Porc frais (médium)		Porc frais (bien cuit)
	Jambon Frais (non cuit)	<b>180°F (82°C)</b>	Poulet et dinde (entier)
Platsaux oeufs	Volaille (cuisses, ailes)		
<b>165°F (74°C)</b>	Viande hachée et melange de viande (dinde, poulet)		Canard et oie

Remarque: oeufus (seuls,non dans une recette) - cuire jusqu'à ce que le jaune et le blanc soient fermes.

Avec la cuisson comme la cuisson à convection, des problèmes de cuisson peuvent arriver pour de nombreuses raisons autre qu'un mauvais fonctionnement du four. Vérifiez le tableau ci-dessous qui répond à la plupart des problèmes communs. Etant donné que la taille, la forme et le matériel de cuisson affectent les résultats de la cuisson, la meilleure solution est de

remplacer les vieux plats qui sont devenus sombres et qui se sont voilés avec le temps et leur utilisation. Vérifiez les tableaux de cuisson de la page 18 à 26 pour une position correcte des grilles et du temps de cuisson.

PROBLÈME DE CUISSON	CAUSE
<b>Aliment brunissant de façon hétérogène</b>	<ul style="list-style-type: none"> <li>- Four non préchauffé</li> <li>- Papier aluminium sur la grille ou au fond du four</li> <li>- Plat de cuisson trop grand pour la recette</li> <li>- Plat touchant aux autres plats ou la paroi du four</li> </ul>
<b>Aliment trop brun au fond</b>	<ul style="list-style-type: none"> <li>- Four non préchauffé</li> <li>- Utilisation de plat en verre, mat ou foncé</li> <li>- Position de grille incorrecte</li> <li>- Plat touchant aux autres plats ou la paroi du four</li> </ul>
<b>Aliment sec ou ayant excessivement rétréci</b>	<ul style="list-style-type: none"> <li>- Température du four trop élevée</li> <li>- Temps de cuisson trop long</li> <li>- Porte du four trop souvent ouverte</li> <li>- Plat trop grand</li> </ul>
<b>Aliment cuisant ou rôtissant trop lentement</b>	<ul style="list-style-type: none"> <li>- Température du four trop basse</li> <li>- Four non préchauffé</li> <li>- Porte du four trop souvent ouverte</li> <li>- Scellé hermétiquement avec du papier aluminium</li> <li>- Plat trop petit</li> </ul>
<b>Croûte à tarte non brunie au fond ou croûte non cuit</b>	<ul style="list-style-type: none"> <li>- Temps de cuisson pas assez long</li> <li>- Utilisation de plat en acier brillant</li> <li>- Position de grille incorrecte</li> <li>- Température du four trop basse</li> </ul>
<b>Gâteau pâle, plat, ou non cuit à l'intérieur</b>	<ul style="list-style-type: none"> <li>- Température du four trop basse</li> <li>- Temps de cuisson incorrect</li> <li>- Gâteau vérifié trop tôt</li> <li>- Porte du four trop souvent ouverte</li> <li>- Plat trop grand</li> </ul>
<b>Gâteau haut au centre avec craquelure sur le dessus.</b>	<ul style="list-style-type: none"> <li>- Température du four trop élevée</li> <li>- Temps de cuisson trop long</li> <li>- Plat touchant aux autres plats ou la paroi du four</li> <li>- Position de grille incorrecte</li> <li>- Plat trop petit</li> </ul>
<b>Bords de croûte de tarte trop bruns</b>	<ul style="list-style-type: none"> <li>- Température du four trop élevée</li> <li>- Bords de croûte trop minces</li> </ul>

Ces options spéciales de fonction peuvent être utilisées dans les options suivantes:

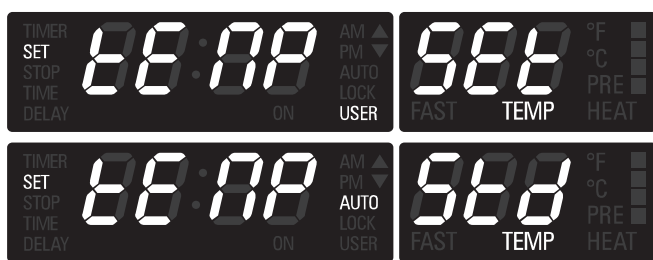
1. **SAB** → **SABBATH MODE**  
(pour les croyances religieuses nécessitant "aucun travail " le jour du sabbat).
2. **OFS** → **OVEN OFFSET**  
(utilisé pour sélectionner Fahrenheit ou Celsius pour l'affichage).
3. **DEG** → **°UNITE'**  
(utilisé pour choisir ou Fahrenheit ou Centigrade).
4. **HR** → **FORMAT PENDULE**  
(utilisé pour régler le format de l'heure sur 12:00 AM/PM ou 24:00. Le format sur 12 heures est le format par défaut).
5. **SET** → **PRESET TEMPERATURE**  
(il est possible d'enregistrer la température standard pré réglée pour tous les modes de cuisson ou de la garder en mémoire la dernière température utilisée).

**Pour choisir les options spéciales, veuillez suivre les étapes suivantes:**

- Effleurez et maintenez les clés **MENU** et **TIME** pendant au moins 3 secondes. L'horloge disparaît et l'écran suivant s'affiche:



- Effleurez la clé **+** ou **-** pour dérouler toutes les options disponibles, jusqu'à trouver celle désirée.
- Effleurez la clé **MENU** pour éditer les options choisies.
- Changez la valeur grâce aux clés **+** ou **-**.



- Dans un four double, il est possible de régler un différent décalage dans chaque cavité. Sélectionnez la cavité avec la clé **SMALL/LARGE**.
- Effleurez la clé **MENU** pour confirmer l'option et retournez au menu de sélection ou maintenez la clé pendant 3 secondes pour quitter le Menu option utilisateur et retournez à l'écran initial de l'horloge.

**! ATTENTION**

Fonction SET UTILISATEUR :  
Une fois ce choix effectué, le four mémorise la nouvelle température pré réglée pour chaque cuisson de plus de 5 minutes. S'il y a plus de changements de température, le dernier de plus de 5 minutes est enregistré. (hors fonctions Gril et basse température).

Fonction AUTO STD :  
Une fois ce choix défini, toutes les températures pré réglées sont fixes (si elles ont été modifiées dans SET USER, sinon elles restent inchangées) et elles ne peuvent être modifiées qu'à partir du retour dans SET USER.

- Entrez le menu option utilisateur en maintenant les clés **MENU** et **TIME** pendant 3 secondes. Déroulez la liste option (DEG, OFS, HR, SAB), indiquée par le module de température rouge, en appuyant sur **+** / **-**, jusqu'à ce que l'élément Sabbat soit trouvé.



- Effleurez **MENU** pour entrer le mode édition : l'élément choisi s'inscrit en chiffre vert sur la gauche et son statut sur les chiffres rouges vont clignoter.
- Effleurez à nouveau les clés **+** / **-** pour régler le mode Sabbat sur ON ou OFF (Défaut=OFF). Effleurez **MENU** pour confirmer et revenir à la liste option. Maintenez la clé **MENU** pendant 3 secondes pour quitter le menu de sélection et revenez aux opérations normales.
- Lorsque le mode Sabbat est réglée, uniquement les positions BAKE et OFF sont disponibles sur le sélecteur de mode de cuisson. Déplacez le sélecteur sur BAKE ensuite réglez la température sur la valeur désirée dans les 5 minutes.
- Après 5 minutes, la température ne peut plus être indiquée et l'affichage apparaît comme il suit: le mode Sabbat est activé.
- Dans le four double, les indications des cavités **SMALL/LARGE** sont toujours disponibles. Les deux triangles sont allumés si les deux cavités fonctionnent.

- Les statuts de lumières du four ne peuvent pas être changés pendant la durée du Sabbat.
- La température du four peut uniquement être baissée mais aucune information ne peut être affichée.
- Le ventilateur de refroidissement doit fonctionner en mode Sabbat.
- Les lumières de préchauffage sont désactivées pendant le mode Sabbat.
- L'avertisseur doit toujours être silencieux, sans prendre en compte les erreurs, les fins d'activité, etc.
- La sonde thermique pour viande ne peut jamais être utilisée en mode Sabbat.
- Le temps de cuisson maximum possible est de 72 heures.
- L'utilisateur peut éteindre le four manuellement, même pendant Sabbat, en déplaçant le sélecteur de mode de cuisson sur la position OFF.



## Auto-nettoyage du four

Ce four a un auto-nettoyage qui élimine les difficultés et les pertes de temps d'un lavage manuel de l'intérieur du four. Pendant l'auto-nettoyage, le four utilise une température très élevée (approx. 885°F/470°C) pour brûler les résidus de nourriture et la graisse.

- Ne pas utiliser la cuisinière pendant le cycle d'auto-nettoyage du four.
- Uniquement un four à la fois peut être auto-nettoyé.
- Il est normal de voir des fumées et/ou une flammèche occasionnelle pendant le cycle d'auto-nettoyage, selon le contenu et la quantité de résidus dans le four. Si une flamme persiste, éteignez le four et laissez-le se refroidir avant d'ouvrir la porte pour essuyer les résidus en surplus.
- Le loquet de la porte est automatiquement active après la sélection de l'auto-nettoyage. Le symbole de verrouillage de la porte va s'afficher. Cela assure que la porte ne peut pas être ouverte lorsque le four est en auto-nettoyage.
- Les lumières du four ne fonctionnent pas pendant ce mode.
- Pendant l'Auto-nettoyage, ventilez bien la cuisine pour éliminer les odeurs associées à l'auto-nettoyage. Les odeurs vont diminuer au fur et à mesure.
- La durée préprogrammée du nettoyage est de trois heures.
- Le mode s'arrête automatiquement à la fin des heures de nettoyage.
- Lorsque la température du four descend à une température plus sûre, le verrouillage automatique de la porte se déverrouille et la porte peut être ouverte.

## Préparation du four pour l'auto-nettoyage

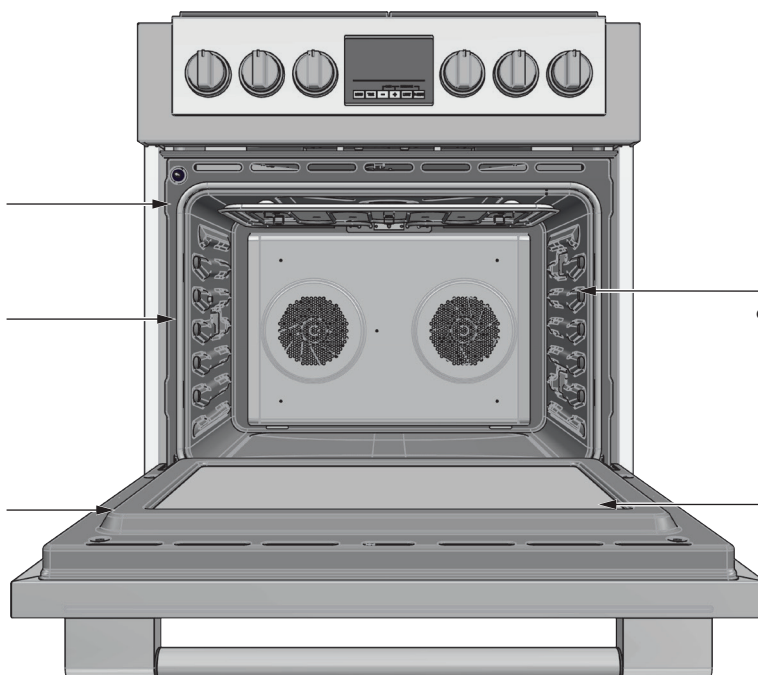
1. Enlevez tous les ustensiles et les plats
2. Enlevez les grilles. Si vous laissez les grilles pendant l'auto-nettoyage, elles perdront définitivement leur brillant et deviennent sombres. Voyez le Tableau de nettoyage du four pour leur bon entretien, Page 43.
3. Essuyez avec des serviettes en papier les résidus d'éclaboussure et d'huile. Les excès de graisse provoquent des flammes et de la fumée pendant l'auto-nettoyage.
4. Revoyez l'illustration ci-dessous. Certaines parties du four doivent être nettoyées à la main avant le début du cycle. Elles ne chauffent pas suffisamment pendant le cycle de nettoyage pour brûler. Utilisez une éponge savonneuse ou en plastique ou un tampon de détergent de S.O.S.®. Nettoyez à la main l'angle de la porte du four, le cadre avant du four et jusqu'à 1-½ po (2-3 cm) dans le cadre avec du détergent ou de l'eau chaude. Ne frottez pas le joint du four. Nettoyez à la main la fenêtre de la porte du four. Rincez tout et ensuite séchez.
5. Assurez-vous que les lumières intérieures sont éteintes et que les ampoules et les lentilles sont en place. Voyez les Page 32

### NETTOYAGE DU FOUR

Nettoyez à la main  
joint extérieur du cadre

Ne nettoyez pas le  
joint à la main

Nettoyez à la main  
le joint extérieur de  
la porte



Nettoyez à 1 po (2cm)  
des guides de grille au  
devant de la cavité du four

Nettoyez à la main  
la fenêtre de la porte

**Pour régler le mode auto-nettoyage**

1. Appuyez sur la touche **SMALL/LARGE** pour choisir la cavité à nettoyer, si le four est double.

**IMPORTANT**

2. Tournez d'abord le bouton de fonction dans le sens inverse des aiguilles d'une montre de OFF à SELF-CLEAN, puis le bouton de température toujours dans le sens inverse des aiguilles d'une montre, de PRESET à SELF-CLEAN. Toute autre séquence de rotation du bouton ne permettra pas au programme SELF-CLEAN de démarrer.

3. CLEAN & TIME apparaîtront.
4. Le temps de nettoyage est affiché automatiquement, sa valeur standard est de 3 heures.
5. A la fin du temps de nettoyage programmé, le four va automatiquement s'éteindre.
6. Pour arrêter le mode nettoyage à tout moment, enlevez le ou les boutons de la position nettoyage.

N'essayez pas d'ouvrir la porte lorsque la porte est verrouillée. Les écritures "AUTO LOCK" vont clignoter jusqu'à ce que le moteur s'arrête. Lorsqu'elles sont affichées, la porte ne peut pas être ouverte. Vérifiez que la porte a été verrouillée et qu'elle ne s'ouvrira pas van le démarrage du mode auto-nettoyage.

Si la porte ne se verrouille pas, tournez le bouton de mode de cuisson sur la position ARRET et ne commencez pas l'auto-nettoyage; Téléphonnez pour un service.

Si la porte est en position ouverte lorsque ce mode est sélectionné, les écritures "AUTO LOCK" vont clignoter jusqu'à ce que la porte soit fermée. The latch will not move until the door is closed. Do not attempt to reopen the door while the latch is in motion as you could damage the mechanism.

**Pour changer le temps de nettoyage**

1. Pour changer le réglage de 3 heures, sélectionnez moins d'heures lorsqu'il y a peu de résidus ou 4 heures lorsqu'il y a beaucoup de résidus immédiatement, après le début.
2. Pour changer les heures, effleurez la clé **TIME**
3. Les heures vont clignoter.
4. Utilisez les clés **+** ou **-** pour changer la valeur.
5. Pour changer les minutes, effleurez la clé **TIME** à nouveau.
6. Les minutes vont clignoter.
7. Utilisez les clés **+** ou **-** pour changer la valeur. Maintenez la clé pour changer par étape de 10 minutes.
8. Effleurez **TIME** ou attendez quelques secondes pour

confirmer la nouvelle valeur.

**Pour retarder le debut du nettoyage**

1. Suivez les étapes de 1 à 7 ci-dessous.
2. Effleurez la clé **TIME** et vérifiez que "STOP TIME" apparaît sur l'affichage. Les heures vont commencer à clignoter.
3. Utilisez les clés **+** ou **-** pour changer la valeur de l'arrêt de l'horloge value.
4. Pour changer les minutes, effleurez la clé **TIME**, les minutes vont clignoter.
5. Utilisez les clés **+** ou **-** pour changer la valeur. Maintenez la clé pour changer par étape de 10 minutes.
6. Effleurez **TIME** ou attendez quelques secondes pour confirmer la nouvelle valeur.
7. Le loquet commence à se déplacer pour verrouiller la porte du four, l'affichage indique "DELAY".
8. Lorsque le delay horloge expire, l'autonettoyage va commencer.
9. A la fin du temps programmé de nettoyage, le four va automatiquement s'éteindre.
10. "End" va apparaître sur l'affichage de la température, "CLEAN" sur l'affichage de mode et "TIME" sur l'affichage de l'horloge va commencer à clignoter jusqu'à ce que vous touchiez la clé **TIME** ou que déplaçiez le bouton sur la position OFF.

Afin de vérifier le nettoyage ou l'heure d'arrête pendant un nettoyage programmé, effleurez simplement la clé **TIME** jusqu'à ce que les écritures "TIME" ou "STOP TIME" s'affichent.



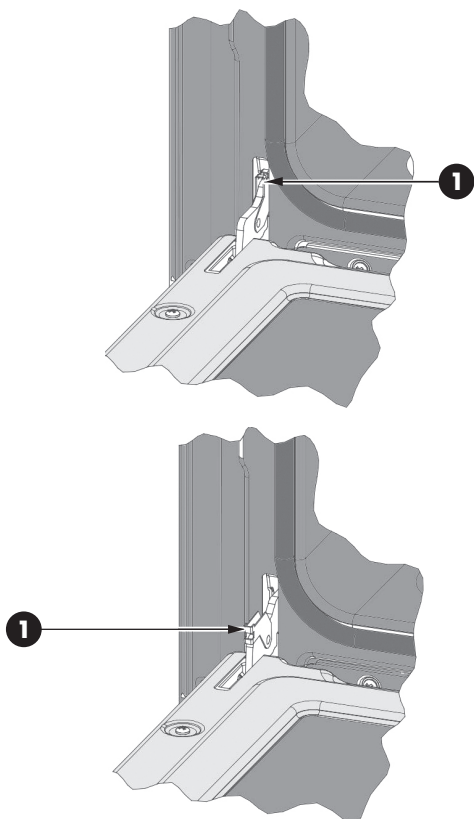
## AVERTISSEMENT

- Assurez-vous que le four est froid et qu'il est bien éteint avant d'enlever la porte sinon vous pouvez vous électrocuter ou vous brûler.
- La porte du four est lourde et fragile. Utilisez vos deux mains pour enlever la porte du four. Le devant est en verre. Le devant de la porte est un verre dont à quatre 4 cadres.
- Ne saisissez que les côtés de la porte du four.
- Ne saisissez pas la poignée car elle pourrait glisser et provoquer des dégâts ou vous blesser.
- Si vous ne tenez pas la porte du four de façon sûre et correctement, cela pourrait provoquer des dégâts ou blesser des gens.

### Pour enlever la porte

1. Ouvrez la porte complètement.
2. Retournez le clip de sécurité de la charnière sur chaque charnière dans votre direction (1).
3. Tenez la porte fermement des deux côtés des deux mains et fermez-la jusqu'à ce qu'elle s'arrête au niveau de la goupille de sécurité.
4. Maintenez fermement ; la porte est lourde. Soulevez et tirez vers vous - vous devrez peut-être jouer un peu pour que les charnières se dégagent de la structure du four.
5. Placez la porte dans un endroit approprié.

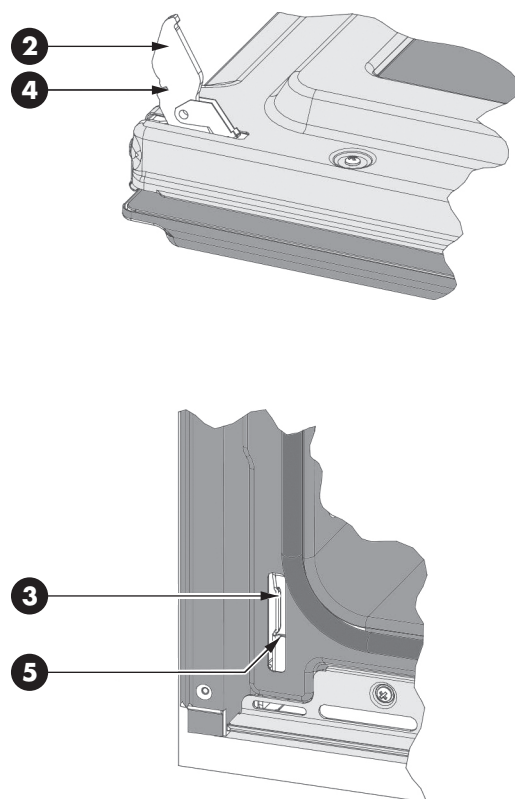
#### POUR ENLEVER LA PORTE



### Pour remettre la porte

1. Insérez les bras supérieurs (2) des deux charnières dans les fentes (3). Les enfoncements (4) doivent s'accrocher aux lèvres (5).
2. Remettez les clips de sécurité (1) en position. Si les clips de sécurité ne peuvent pas être facilement déplacés vers leur position de fonctionnement normale, c'est-à-dire si les clips se heurtent à la structure, c'est que la porte n'est pas correctement installée. Retirez les clips de sécurité et essayez de réinstaller la porte : vous la sentirez glisser légèrement lorsque les charnières s'engagent correctement dans la structure.
3. Fermez et ouvrez la porte doucement pour assurer qu'elle est correctement bien en place.

#### POUR REMETTRE LA PORTE



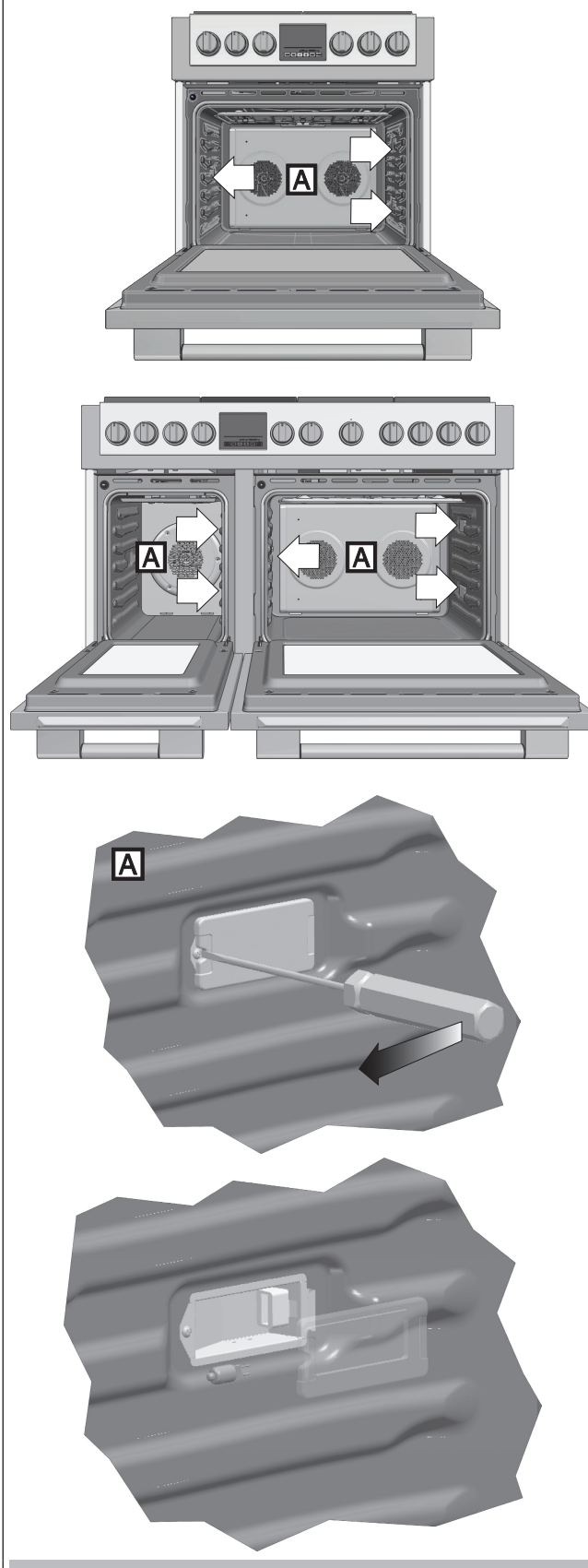
- Chaque four est équipé de lumières halogènes situées sur les parois latérales du four.
- Les lumières s'allument lorsque la porte est ouverte ou lorsque le four est dans un cycle de cuisson.
- Les lumières du four ne s'allument pas pendant l'AUTO - NETTOYANT.
- Chaque assemblage d'éclairage comprend une lentille amovible, une lampe à incandescence ainsi qu'une boîte de douille qui sont fixés. Voyez l'illustration de cette page.
- Le remplacement de l'ampoule est considéré comme un entretien de routine.

### Pour remplacer une ampoule

1. Lisez les AVERTISSEMENTS de cette page.
2. Coupez l'alimentation à la source principale (fusible ou disjoncteur).
3. Dans les fours à convection, enlevez le couvercle du ventilateur en dévissant les quatre vis.
4. Enlevez les lentilles à changer entre la vis et le verre en utilisant un tournevis.
5. Enlevez l'ampoule de sa douille en la tirant.
6. Remplacez l'ampoule avec une nouvelle. Évitez de toucher l'ampoule avec vos doigts, car la graisse des mains peut endommager l'ampoule lorsqu'elle devient chaude.
7. L'ampoule est halogène: n'utilisez que le même type en vérifiant les volts et les watts.
8. Vissez la lentille.
9. Remplacez le couvercle du ventilateur si le four en est pourvu.

Rebranchez l'alimentation principale à la source principale (fusible ou disjoncteur).

#### LUMIÈRES DU FOUR



#### AVERTISSEMENT

- Assurez-vous que le four et que les lumières sont froides et que le four est bien éteint avant de remplacer les ampoules. Sinon vous risquez de vous électrocuter ou de vous brûler.
- Les lentilles doivent être remises en place lorsque vous utilisez le four.
- Les lentilles servent à protéger l'ampoule pour qu'elle ne se casse pas.
- Les lentilles sont en verre. Manipulez-les avec précaution pour éviter de les casser. Les verres cassés peuvent blesser.

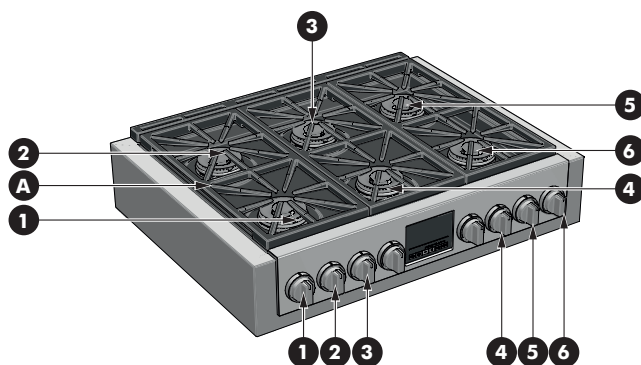
TABLE DE CUISSON DE 30"



A - Grilles

PUISSANCES NOMINALES DE SORTIE DU BRÛLEUR: BTU/HR MODÈLE: 30"	Gaz naturel, avec P.C. de 12,7 cm (5 po)	Gaz propane, avec P.C. de 25,5 cm (10 po)
1 DOUBLES COURONNES (Brûleur et bouton de commande)	de 750 à 18000 Btu/h (de 220 à 5300W)	de 750 à 15000 Btu/h (de 220 à 4400W)
2 DOUBLES COURONNES (Brûleur et bouton de commande)	de 750 à 18000 Btu/h (de 220 à 5300W)	de 750 à 15000 Btu/h (de 220 à 4400W)
3 DOUBLES COURONNES (Brûleur et bouton de commande)	de 750 à 18000 Btu/h (de 220 à 5300W)	de 750 à 15000 Btu/h (de 220 à 4400W)
4 DOUBLES COURONNES (Brûleur et bouton de commande)	de 750 à 20000 Btu/h (de 220 à 5850W)	de 750 à 15000 Btu/h (de 220 à 4400W)

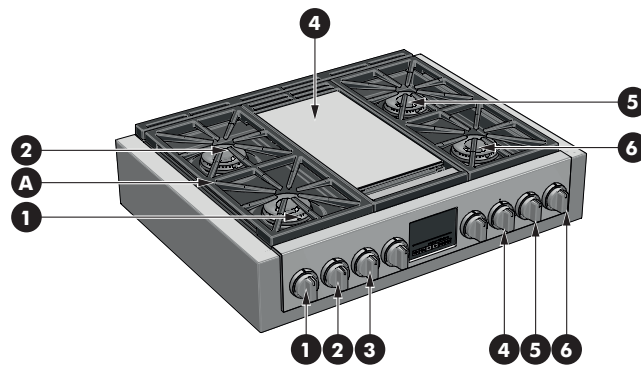
TABLE DE CUISSON DE 36"



A - Grilles

PUISSANCES NOMINALES DE SORTIE DU BRÛLEUR: BTU/HR MODÈLE: 36"	Gaz naturel, avec P.C. de 12,7 cm (5 po)	Gaz propane, avec P.C. de 25,5 cm (10 po)
1 DOUBLES COURONNES (Brûleur et bouton de commande)	de 750 à 20000 Btu/h (de 220 à 5850W)	de 750 à 15000 Btu/h (de 220 à 4400W)
2 DOUBLES COURONNES (Brûleur et bouton de commande)	de 750 à 18000 Btu/h (de 220 à 5300W)	de 750 à 15000 Btu/h (de 220 à 4400W)
3 DOUBLES COURONNES (Brûleur et bouton de commande)	de 750 à 18000 Btu/h (de 220 à 5300W)	de 750 à 15000 Btu/h (de 220 à 4400W)
4 DOUBLES COURONNES (Brûleur et bouton de commande)	de 750 à 18000 Btu/h (de 220 à 5300W)	de 750 à 15000 Btu/h (de 220 à 4400W)
5 DOUBLES COURONNES (Brûleur et bouton de commande)	de 750 à 18000 Btu/h (de 220 à 5300W)	de 750 à 15000 Btu/h (de 220 à 4400W)
6 DOUBLES COURONNES (Brûleur et bouton de commande)	de 750 à 20000 Btu/h (de 220 à 5850W)	de 750 à 15000 Btu/h (de 220 à 4400W)

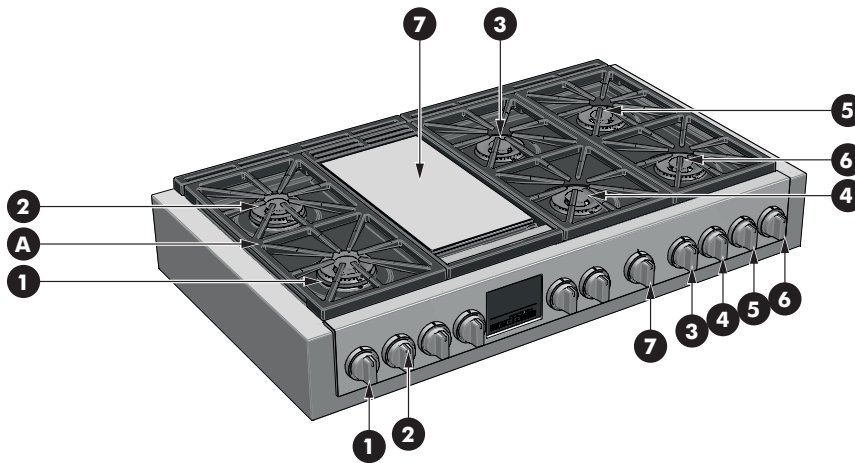
TABLE DE CUISSON DE 36" PLAQUE



A - Grilles

PUISSANCES NOMINALES DE SORTIE DU BRÛLEUR: BTU/HR MODÈLE: 36"	Gaz naturel, avec P.C. de 12,7 cm (5 po)	Gaz propane, avec P.C. de 25,5 cm (10 po)
1 DOUBLES COURONNES (Brûleur et bouton de commande)	de 750 à 20000 Btu/h (de 220 à 5850W)	de 750 à 15000 Btu/h (de 220 à 4400W)
2 DOUBLES COURONNES (Brûleur et bouton de commande)	de 750 à 18000 Btu/h (de 220 à 5300W)	de 750 à 15000 Btu/h (de 220 à 4400W)
3 MINUTEUR NORMAL (Bouton)	Voyez Bouton du minuteur normal, Page 40.	
4 PLAQUE (Brûleur et bouton de commande)	11500 Btu/h (3370W)	11500 Btu/h (3370W)
5 DOUBLES COURONNES (Brûleur et bouton de commande)	de 750 à 18000 Btu/h (de 220 à 5300W)	de 750 à 15000 Btu/h (de 220 à 4400W)
6 DOUBLES COURONNES (Brûleur et bouton de commande)	de 750 à 20000 Btu/h (de 220 à 5850W)	de 750 à 15000 Btu/h (de 220 à 4400W)

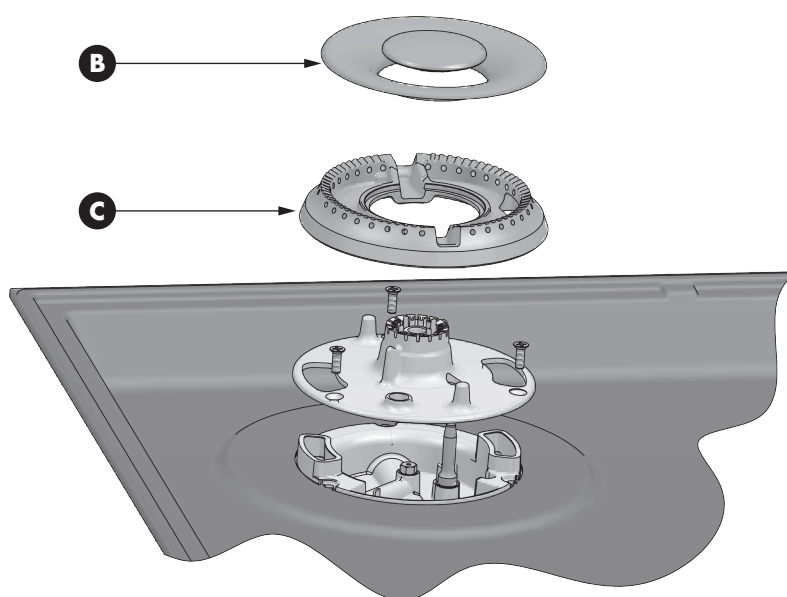
TABLE DE CUISSON DE 48" PLAQUE



A - Grilles

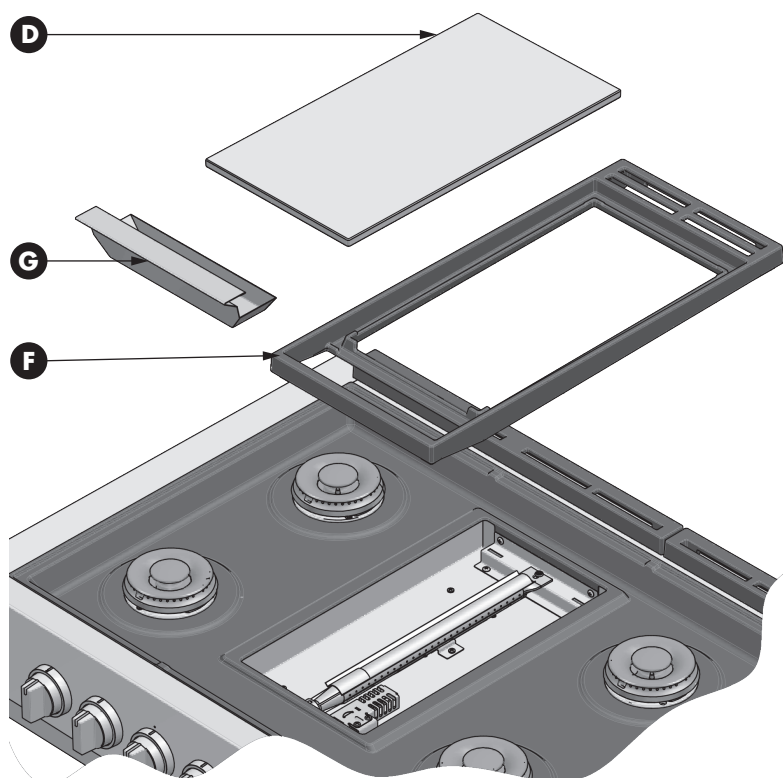
PUISSANCES NOMINALES DE SORTIE DU BRÛLEUR: BTU/HR MODÈLE: 48"	NG (Natural) Gas, 5" W.C.P	LP (Propane) Gas, 10" W.C.P.
1 DOUBLES COURONNES (Brûleur et bouton de commande)	de 750 à 20000 Btu/h (de 220 à 5850W)	de 750 à 15000 Btu/h (de 220 à 4400W)
2 DOUBLES COURONNES (Brûleur et bouton de commande)	de 750 à 18000 Btu/h (de 220 à 5300W)	de 750 à 15000 Btu/h (de 220 à 4400W)
3 DOUBLES COURONNES (Brûleur et bouton de commande)	de 750 à 18000 Btu/h (de 220 à 5300W)	de 750 à 15000 Btu/h (de 220 à 4400W)
4 DOUBLES COURONNES (Brûleur et bouton de commande)	de 750 à 18000 Btu/h (de 220 à 5300W)	de 750 à 15000 Btu/h (de 220 à 4400W)
5 DOUBLES COURONNES (Brûleur et bouton de commande)	de 750 à 18000 Btu/h (de 220 à 5300W)	de 750 à 15000 Btu/h (de 220 à 4400W)
6 DOUBLES COURONNES (Brûleur et bouton de commande)	de 750 à 20000 Btu/h (de 220 à 5850W)	de 750 à 15000 Btu/h (de 220 à 4400W)
7 PLAQUE (Brûleur et bouton de commande)	11500 Btu/h (3370W)	11500 Btu/h (3370W)

## BRÛLEUR



- B - Brûleur coupe**
- C - Épandeur Gas Burners**

## PLAQUE

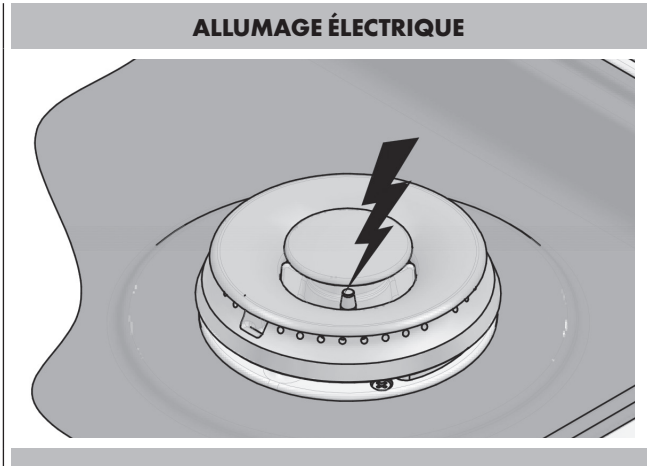


- D - Plaque de grill**
- G - Bac d'égouttement**
- F - Support de plaque de grill**

## Utilisation des Boutons de Commande

### Allumage à gaz électrique

Le brûleur à gaz utilise un appareil à allumage électrique situé près de chaque brûleur qui assure l'allumage du brûleur.



### Modèles avec rallumage automatique

L'auto rallumage électronique allume la surface des brûleurs lorsque le bouton de commande est tourné sur n'importe quelle rotation de soupape qui permette un flux de gaz suffisant pour supporter une flamme.

Si la flamme du brûleur s'éteint à cause d'un courant d'air ou une autre mauvaise condition, l'allumeur provoque une étincelle automatiquement sur tous les brûleurs pour rallumer la flamme.

**NOTE: Cet élément est fourni comme une commodité et il n'est pas conçu comme un élément de sécurité.**

Pour régler:

- Poussez et tournez un bouton dans le sens inverse des aiguilles d'une montre dans n'importe quelle position, tous les allumeurs émettront un son de clic (avec une étincelle), cependant seul le brûleur avec le bouton de commande réglé sur HI-LO (fort-doux) produira une flamme et se rallumera automatiquement si la flamme s'éteint.



### AVERTISSEMENT

- Ne faites pas fonctionner un brûleur en utilisant une casserole vide ou sans casserole sur la grille.
- Ne touchez pas le brûleur lorsque les allumeurs cliquent (étincellent)
- Ne laissez pas la flamme du brûleur s'étendre au-delà du bord de la casserole.
- Éteignez tous les contrôles lorsque vous ne cuisinez pas.

Si vous ne suivez pas ces instructions, vous risquez de vous blesser ou de provoquer un incendie.

## Gas burners

La conception des brûleurs à gaz de ces modèles de table de cuisson permettant d'adapter votre cuisine selon la taille, la puissance et la cuisson douce est une de nos préoccupations premières.

### Brûleurs avec deux anneaux de flamme

Ce brûleur spécial a deux anneaux de flamme séparés pour fournir une régulation de chaleur complète entre la puissance élevée et la cuisson douce.

1. Poussez et tournez le bouton dans le sens inverse des aiguilles d'une montre sur HI-LO (fort-doux) de la flamme principale, lorsque le brûleur est allumé, la flamme principale et la flamme de cuisson douce vont s'allumer toutes les deux et le rester.
2. Réglez la température désirée sur HI-LO (fort-doux).

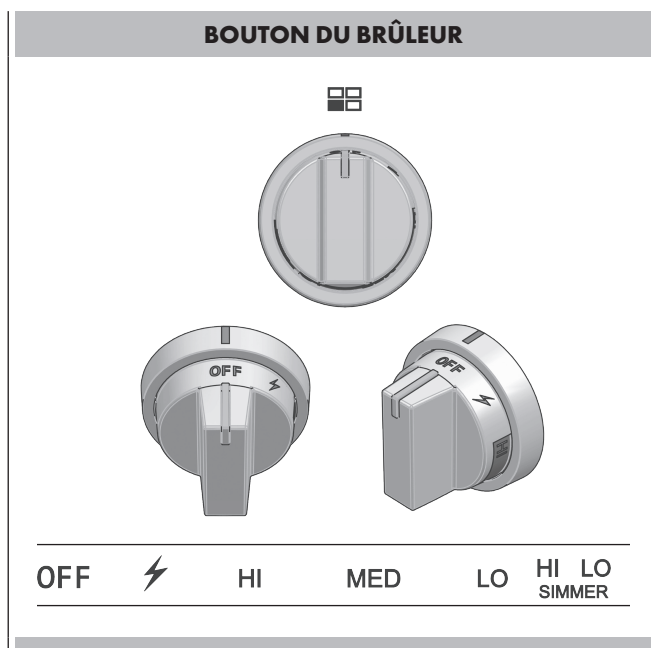
### Réglage de cuisson douce

Continuez à tourner dans le sens inverse des aiguilles d'une montre le bouton sur la position de cuisson douce HI-LO (fort-doux). L'anneau extérieur de la flamme s'éteindra et il est possible de régler la température en utilisant seulement la flamme centrale.

### Arrêt du brûleur

Tournez le bouton dans le sens des aiguilles d'une montre aussi loin que possible sur la position off (éteint).

Assurez-vous que la flamme s'éteint complètement.





### Flammes des Brûleur

Allumez chacun des brûleurs. Les flammes doivent être bleues sans trace de jaune. Les flammes du brûleur ne doivent pas trembler ni se souffler. Le cône intérieur de la flamme doit avoir une longueur entre 1/2" et 3/4" long.

### Brûleurs de Surface Etanches



#### IMPORTANT

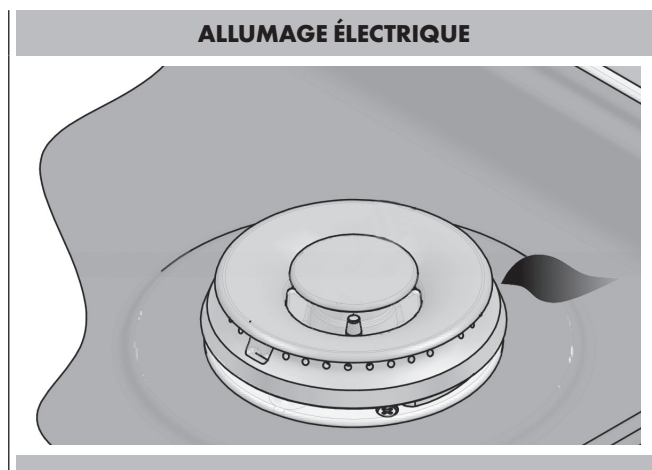
Ne pas obstruer le flux de l'air de combustion et de ventilation autour des bords de la grille du brûleur.

### Chapeau du brûleur et diffuseur de gaz

Maintenez toujours le chapeau du brûleur et le diffuseur de gaz en place lorsque vous utilisez un brûleur de surface. Ces deux éléments doivent toujours être propres si vous voulez pouvoir allumer facilement et avoir une flamme constante. Bien nettoyer ces éléments après chaque débordement et effectuer un nettoyage périodique selon la section «Nettoyage général».

### Base du brûleur et injecteur

Pour allumer correctement, le gaz doit circuler librement à travers l'orifice de l'injecteur. Maintenez cette zone propre sans restes alimentaires et veillez à ce que ni des restes, ni des détergents ou autres matériaux n'obstruent l'ouverture de l'orifice. Le protéger durant le nettoyage.



### Avant d'allumer le brûleur, vous assurer que:

- Le diffuseur de gaz est installé correctement et le pivot est bien aligné avec la rainure de la base du brûleur.
- Le chapeau est installé correctement et le pivot est bien aligné avec la rainure du diffuseur de gaz.

### Orifices du brûleur

Contrôlez périodiquement les flammes du brûleur. La couleur d'une flamme normale est bleue et non pas jaune. Maintenez cette zone propre sans restes alimentaires et veillez à ce que ni des restes, ni des détergents ou autres matériaux n'obstruent les orifices du brûleur.

### Comment nettoyer le brûleur à gaz:

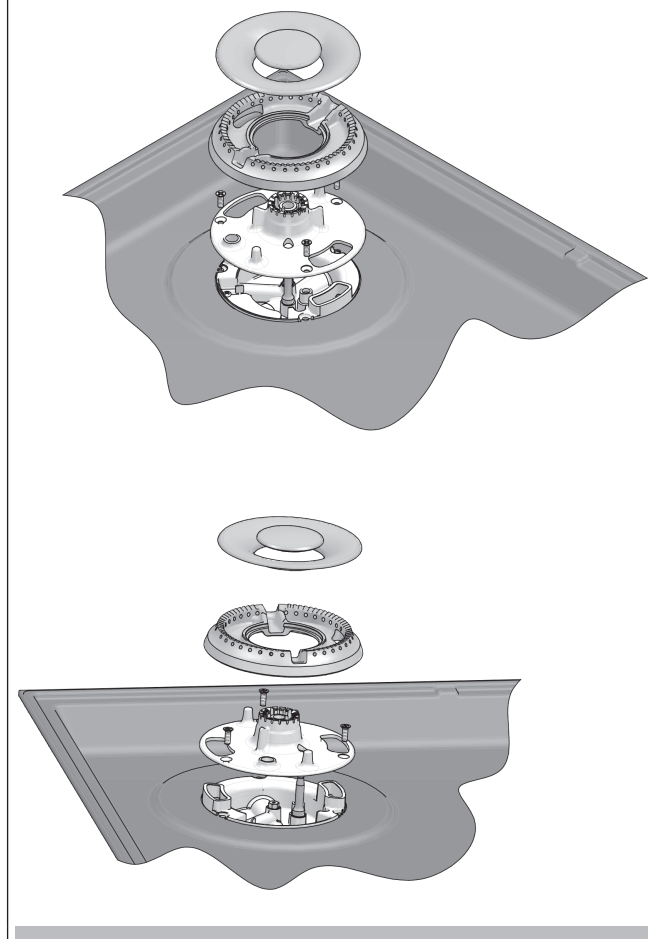


#### IMPORTANT

Avant de nettoyer, bien vérifier que tous les boutons de commande sont éteints et que la table de cuisson est froide.

1. Enlevez le chapeau du brûleur de la base du brûleur et nettoyez en suivant les instructions de la section de nettoyage.
2. Enlevez le diffuseur du brûleur. Nettoyez l'ouverture du tuyau de gaz ainsi que la rainure du brûleur en suivant les instructions de la section de nettoyage.
3. Nettoyez la base du brûleur avec un chiffon humide. Il est important que l'orifice de l'injecteur ne s'obstrue pas avec des produits détergent ou autres.
4. Remettez en place le diffuseur et le chapeau du brûleur en veillant à ce que les pivots soient bien dans l'alignement des rainures.
5. Allumez le brûleur. S'il ne s'allume pas, vérifiez que le chapeau et le diffuseur sont bien alignés. Si le brûleur ne devait toujours pas s'allumer, ne pas effectuer la réparation vous-même mais contactez un réparateur spécialisé.

### VUE ÉCLATÉE DU BRÛLEUR



## Plaque chauffante

La plaque chauffante est contrôlée par thermostat pour maintenir une température constante. En tant que tel, le débit de gaz/niveau de flamme peut ne pas correspondre directement à la rotation du bouton comme il le fait avec les autres brûleurs de surface. Le bouton de la plaque chauffante règle la température souhaitée et un thermostat contrôle le débit de gaz pour atteindre/maintenir la température définie. Pour éviter que les aliments ne collent, il est recommandé de traiter la plaque chauffante avant de l'utiliser.

## Traitement de la plaque chauffante

La plaque chauffante doit être nettoyée avant la première utilisation. Utilisez de l'eau chaude et un détergent doux pour éliminer les résidus de fabrication. Rincez et séchez. Réglez la hotte de ventilation à la première ou à la deuxième vitesse. Tournez le bouton de commande de la plaque chauffante à 350 ° F (175 ° C) et laissez la plaque chauffer pendant 30 minutes. Au bout de 30 minutes, réglez le bouton sur OFF et laissez-la refroidir jusqu'à ce qu'il soit possible de la toucher en toute sécurité. Alors que la surface est légèrement chaude, versez une petite quantité d'huile d'arachide ou végétale sur une serviette en papier et étalez uniformément sur la surface de cuisson de la plaque chauffante. Augmentez la vitesse de la hotte, puis tournez le bouton de commande de la plaque chauffante à 350°F (175°C). Chauffez jusqu'à ce que l'huile sur la plaque de cuisson commence à fumer, puis tournez le bouton sur OFF et laissez refroidir. Une fois refroidie, essayez tout excès d'huile.

## Fonctionnement de la plaque chauffante

Allumez la ventilation de la hotte. Tournez le bouton de commande de la plaque chauffante à la température désirée. Le voyant au-dessus du bouton s'allume jusqu'à ce que la plaque chauffante atteigne la température configurée.

## Entretien de la plaque chauffante

Grattez et éliminez la graisse de la surface de la plaque chauffante dans le bac de récupération de la graisse après chaque utilisation. Une fois la surface refroidie, essuyez-la avec une serviette en papier pour éliminer l'excès de graisse ou d'huile.

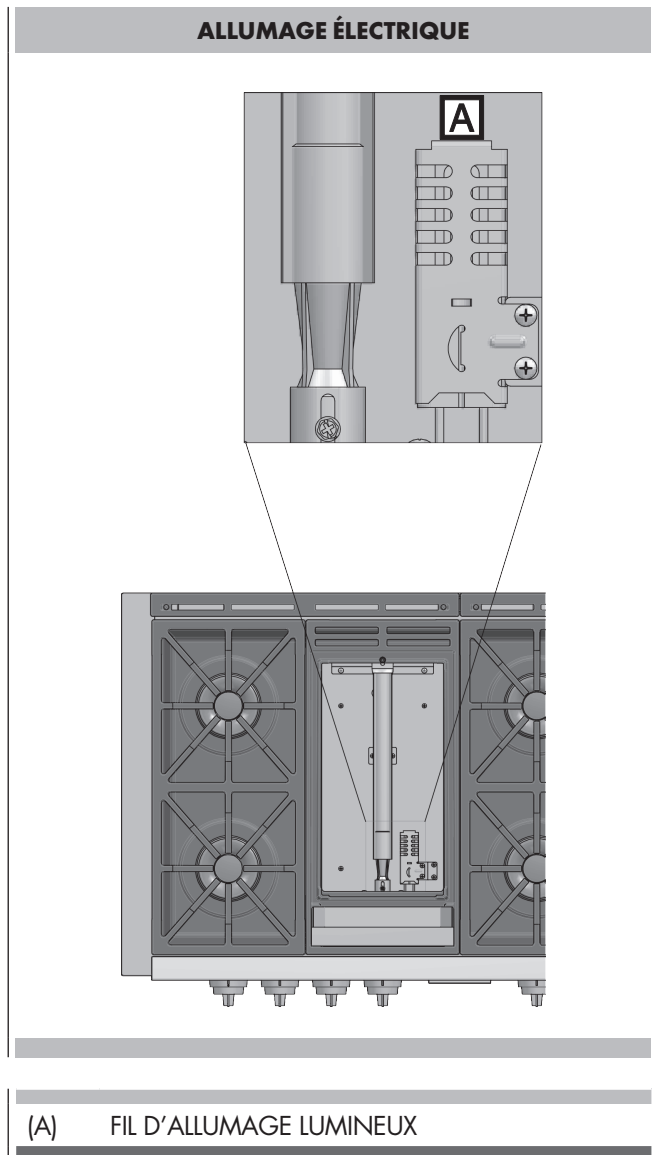
Après chaque utilisation, réappliquez une petite quantité d'huile d'arachide ou végétale sur une serviette en papier et étalez uniformément.

Éliminez occasionnellement le traitement. Versez une 1/2 tasse (100 ml) d'eau tiède et 1 cuillère à café (5 ml) de nettoyant spécial plaques chauffantes sur la plaque, grattez et éliminez les résidus dans le bac de récupération de la graisse, puis videz. Une fois sec, réappliquez une petite quantité d'huile comme traitement.

## umage électrique du gaz

Le brûleur de la plaque chauffante utilise un fil incandescent électrique situé près de brûleur qui assure l'allumage du brûleur. C'est thermostatiquement contrôlée pour maintenir une température constante.

Il est contrôlé de façon thermostatique pour maintenir une température constante.



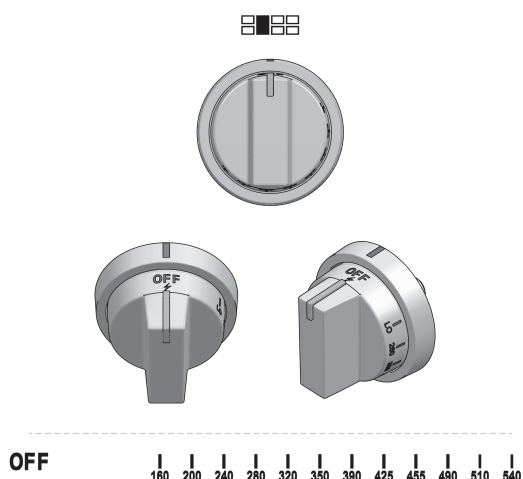
### Réglage :

- Tournez le bouton dans le sens horaire: le système de fil incandescent démarre et quand il sera à la lueur maximale, le brûleur Il produit une flamme.
- La plaque chauffante a une lumière de mise sous tension qui s'allume lorsque le thermostat de la plaque chauffante est allumé et le commutera «OFF» quand il sera à la température sélectionnée.

### Extinction du brûleur

Tournez le bouton dans le sens horaire aussi loin que possible vers la position éteinte. Assurez-vous que la flamme s'éteint entièrement.

## BOUTON DU BRÛLEUR À GRIL



### ATTENTION

La plage doit être à niveau pour que le gril fonctionne convenablement.

### CAUTION

- Ne surchauffez pas le gril. Ceci peut endommager le revêtement du gril.
- N'utilisez pas d'ustensiles métalliques qui pourraient endommager la surface du gril.
- Éteignez toujours en cas d'inutilisation ou baissez le chauffage entre les charges de cuisson.
- N'utilisez pas le gril pour d'autres buts, par exemple comme une planche pour découper ou une étagère de stockage.
- Ne cuisez pas excessivement les aliments gras. La graisse pourrait se déverser.
- Le gril peut devenir très chaud. Utilisez des gants lorsque vous placez ou retirez le gril.
- Ne retirez pas le gril tant que les grilles de la cuisinière, les surfaces et le gril lui-même n'ont pas refroidi.
- Le gril est assez lourd. Utilisez les deux mains lorsque vous placez ou retirez le gril.

## Conseils pour la cuisson

- Pré-chauffez la plaque du gril pendant environ 20 minutes, ensuite réglez la température désirée.
- Utilisez de l'huile de cuisson liquide, des aérosols de cuisson, ou du beurre pour les œufs, les pancakes, les pains dorés, le poisson et les sandwiches. Ceci permettra d'éviter que les aliments ne collent. (Utilisez des graisses/huiles qui peuvent tolérer une haute température)
- Tapotez les aliments mouillés avec des serviettes en papier pour éviter les éclaboussures pendant le gril.
- Retirez les particules alimentaires avec une spatule métallique pendant la cuisson pour faciliter le nettoyage et pour éviter d'inclure ces particules dans les aliments.

## Tableau de cuisson au gril

Aliment	°F	°C
Œufs	250 - 300	121 - 149
Bacon	325 - 350	163 - 177
Pancakes	375 - 450	191 - 232
Pain doré	425	218
Filets de poisson	300	149
Légumes	300	149
Hamburgers	350	177
Steaks	350	177

### IMPORTANT

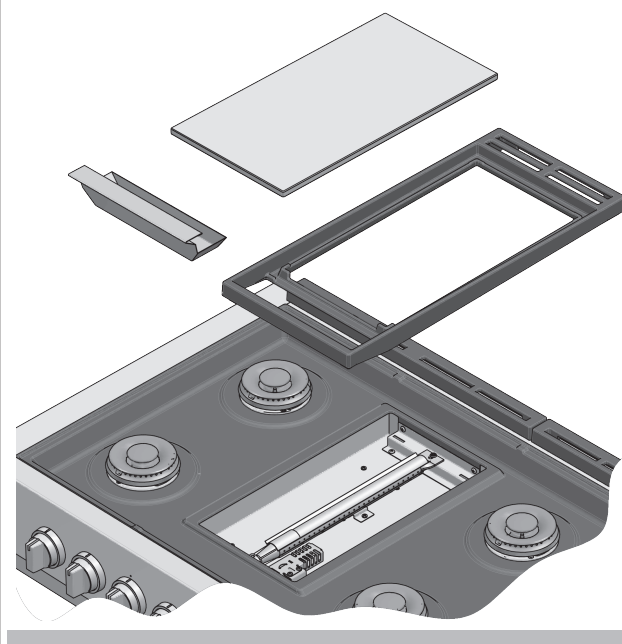
Après chaque cuisson, veillez à vider le bac à égouttement et remplacez-le correctement sous le gril.

Avant de nettoyer, assurez-vous que toutes les commandes sont éteintes et que le gril est froid.

1. Retirez la plaque du gril de la base du brûleur et nettoyez-la selon la section nettoyage.
2. En cas de nettoyage du boîtier du brûleur avec un chiffon humide (les zones de l'injecteur de gaz et du fil incandescent sans nettoyage agents et tout autre matériel).
3. Remettez la plaque chauffante en place en faisant attention position correcte.
4. Allumez le brûleur.

Si le brûleur ne s'allume pas, attendez quelques minutes et répétez l'opération. Si le brûleur ne s'allume toujours pas, ne réparez pas le brûleur à gaz vous-même. Contactez un spécialiste formé aux réparations.

## VUE ÉCLATÉE DU GRIL-BRÛLEUR

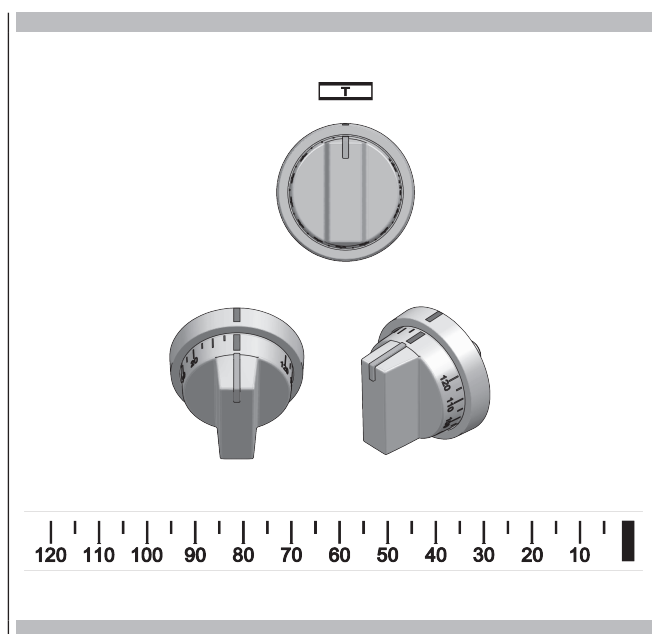


## Bouton du minuteur normal

### (0 à 120 min)

En tournant complètement le bouton dans le sens des aiguilles d'une montre et en amenant l'aiguille sur un temps donné affiché en minutes sur le tableau, la sonnerie du dispositif sera actionnée à la fin du temps fixé (120 min. max.).

Pendant la marche du minuteur, le bouton revient graduellement au "0" et indiquera ainsi combien de minutes il y a encore pour arriver au temps affiché.



**IMPORTANT:** Ne jamais laisser des casseroles vides cuire sur une surface de cuisson chaude ou sur un brûleur chaud.

Le récipient idéal pour cuisiner a une base plate, des bords droits et un couvercle qui ferme hermétiquement. Il doit avoir une épaisseur de moyenne à large. Des finitions rugueuses peuvent rayer la table de cuisson. Les récipients de cuisine peuvent être en aluminium ou en cuivre, cependant si leur base est en aluminium ou en cuivre, ils peuvent laisser des marques indélébiles sur la table de cuisson ou sur les grilles. Selon le matériau du récipient, la chaleur se transmet plus ou moins vite et de manière plus ou moins égale ce qui évidemment affecte les résultats de cuisson. Une finition anti-adhérente a les mêmes caractéristiques que le matériau de la base. Par exemple, un récipient en aluminium avec une finition anti-adhérente prendra les propriétés de l'aluminium. Consultez la liste suivante pour reconnaître les caractéristiques de chaque type de matériau.

### Caractéristiques des Matériaux

#### Aluminium:

chauffe rapidement et de façon uniforme. Convient à tous les types de cuisine. Une épaisseur moyenne à large est parfaite pour la plupart des tâches de cuisson.

#### Fer forgé:

chauffe lentement et de manière uniforme. Idéal pour dorer et frire, il maintient bien la chaleur pour les plats devant cuire à feu lent.

#### Céramique ou vitrocéramique:

suivre les instructions du fabricant. Chauffe lentement mais de manière irrégulière. Donne les meilleurs résultats à des températures basses ou moyennes.

#### Cuivre:

chauffe très rapidement et de manière uniforme.

#### Faïence:

suivre les instructions du fabricant. L'utiliser sur feu bas.

#### Porcelaine émaillée sur acier ou acier inoxydable:

voir acier inoxydable ou fer forgé.

#### Acier inoxydable:

chauffe rapidement mais de manière inégale. La base ou le noyau en aluminium sur de l'acier inoxydable permet un réchauffement uniforme.

### Le Diamètre de la Casserole Doit Correspondre au Diamètre de la Flamme

La flamme devrait avoir le même diamètre (ou un petit peu moins) que la base du récipient. Ne pas utiliser des petits récipients sur une flamme haute car les flammes pourraient brûler les côtés du récipient. Des récipients hors-mesure qui occupent deux brûleurs, doivent être placés de l'avant vers l'arrière et non pas sur deux brûleurs côte à côte.

#### Utiliser des récipients équilibrés

Les casseroles doivent être stables sur les grilles de la table de cuisson, elles ne doivent pas osciller. Centrer le récipient sur le brûleur.

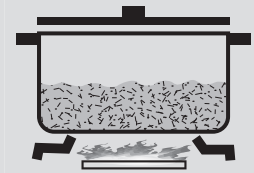
#### Utiliser un couvercle qui s'adapte parfaitement sur le récipient

Un couvercle qui ferme hermétiquement signifie une durée de cuisson plus courte. Des casseroles à la base plate et lourde fournissent une chaleur uniforme et stable.



### AVERTISSEMENT

RECIPIENT EQUILIBRE



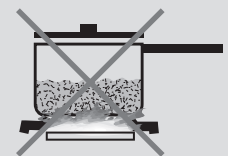
CONCAVE (HOLLOW)



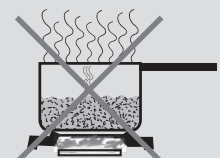
CONVEX (ROUNDED)



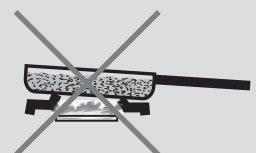
NE PAS UTILISER PETITS RECIPIENTS SUR FLAMME HAUTE



UTILISER COUVERCLE QUI S'ADAPTE PARFAITEMENT

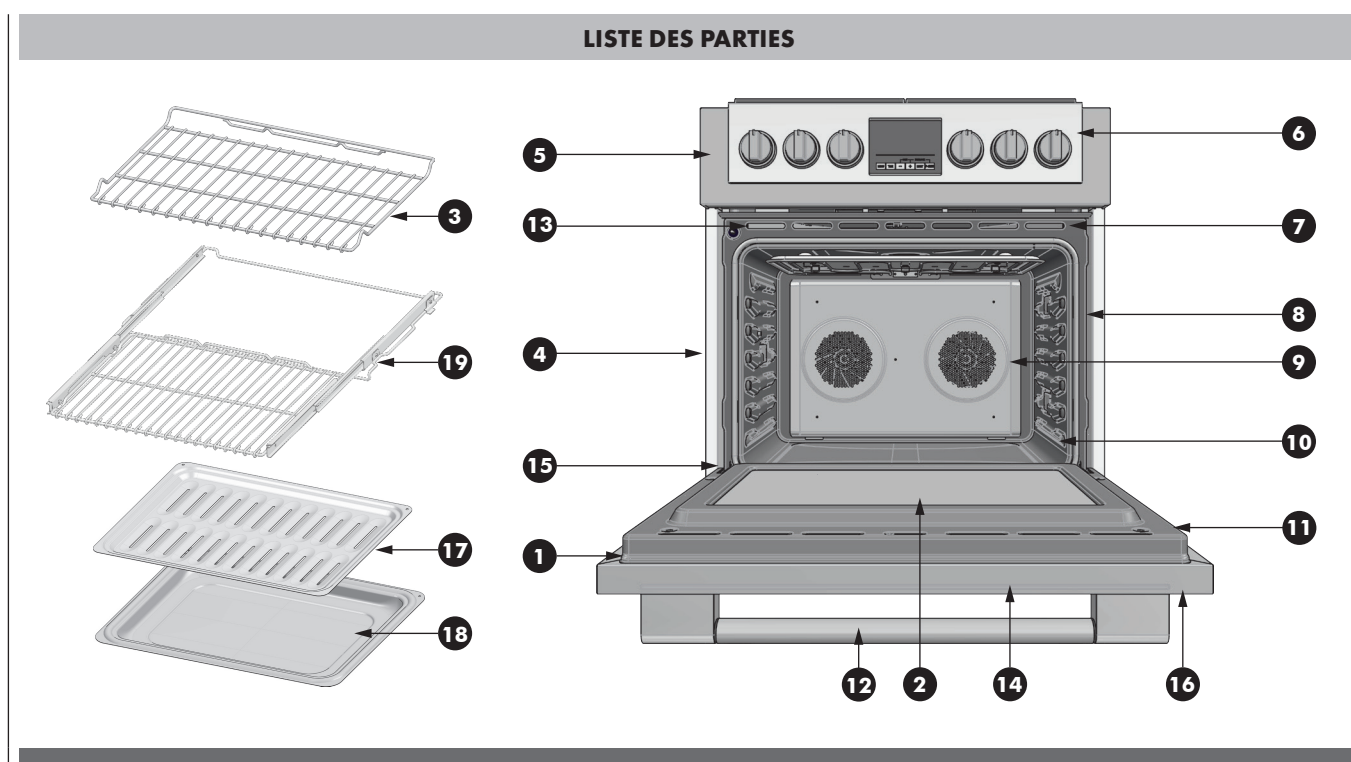


RECIPIENT NE PAS EQUILIBRE



### Comment utiliser le tableau de nettoyage du four

1. Repérez le chiffre de la partie à nettoyer dans l'illustration de cette page.
2. Trouvez le nom de cette partie dans le tableau.
  - Utilisez la méthode de nettoyage dans la colonne de gauche si le four est noir ou blanc.
  - Utilisez la méthode de nettoyage dans la colonne de droite si le four est en acier inoxydable.
3. Faites concorder le chiffre avec la méthode de nettoyage de la page suivante.



Pièce		Méthode de nettoyage		Pièce		Méthode de nettoyage	
		Émaillés	A c i e r inoxydable			Émaillés	A c i e r inoxydable
1	Cadre de porte	D	G	11	Porte de four intérieure	E	E
2	Fenêtre de porte intérieure	F	F	12	Poignée de porte	G	G
3	Grilles de four démontable	A or E	A or E	13	Ouvertures de refroidissement de la porte	E	E
4	Habillage latérale	G	G	14	Porte avant	C&D	C&G
5	Habillage du tableau de commande	G	G	15	Habillage du four	D	D
6	Tableau de commande	D	G	16	End Caps	D	G
7	Ouvertures de refroidissement du four	D	D	17	Grille de plat de gril	E	E
8	Cadre avant du four	E	E	18	Arrière de plat de gril	E	E
9	Cavité du four	E	E	19	Grille rallonge	A	A
10	Joint de maille	B	B				

Le four entier peut être nettoyé de façon sûre avec une éponge savonneuse, puis rincé et séché. Si des résidus excédentaires ne partent pas, suivez les méthodes de nettoyage ci-dessous.

- Utilisez toujours le chiffon le plus doux possible.
- Frottez les finitions en métal dans la direction du grain.
- Utilisez des chiffons, des éponges ou des tissus en papier doux et propres.
- Rincez le tout avec un minimum d'eau pour qu'elle ne coule pas dans les fentes de la porte.
- Essuyez pour éviter les traces d'eau.

Les nettoyeurs dans la liste ci-dessous indiquent les types de produits à utiliser ne sont qu'à titre indicatif. Utilisez tous les produits selon les indications de l'emballage.

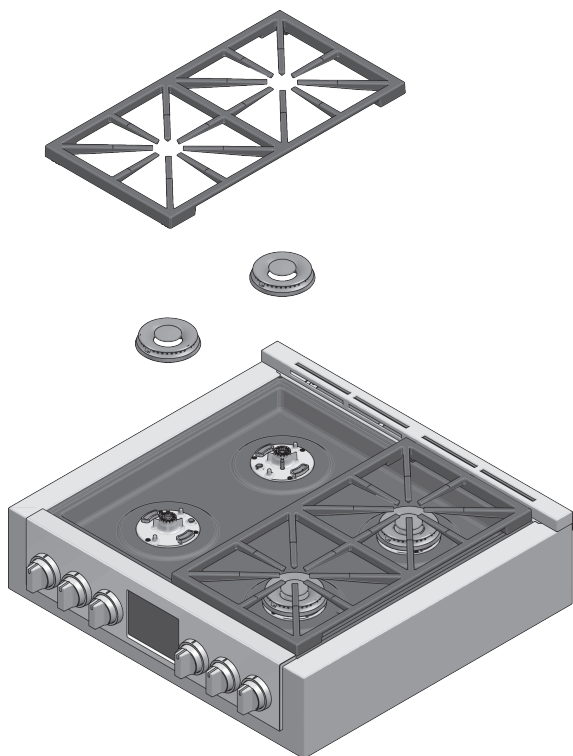
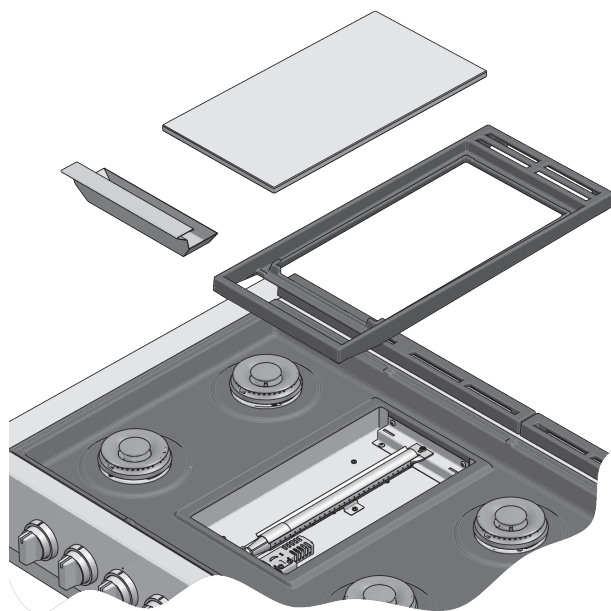
Pièce		Méthode de nettoyage
<b>A</b>	<b>Chromé</b>	Lavez avec de l'eau chaude savonneuse. Rincez et séchez soigneusement. Ou, frottez légèrement avec du Soft Scrub <sup>®</sup> , Bon-Ami <sup>®</sup> , Comet <sup>®</sup> , Ajax <sup>®</sup> , Brillo <sup>®</sup> , ou les chiffons S.O.S. <sup>®</sup> . Les nettoyeurs Easy Off <sup>®</sup> ou Dow Oven Cleaners <sup>®</sup> (formule four froid) peuvent être utilisés, mais ils peuvent noircir ou décolorer le chromé. Les grilles peuvent être nettoyées dans le four pendant l'auto-nettoyage. Cependant, elles vont perdre leur brillant et devenir grises de façon permanente.
<b>B</b>	<b>Tressage en fibre de verre</b>	NE NETTOYEZ PAS LE JOINT A LA MAIN.
<b>C</b>	<b>Verre</b>	Vaporisez du Windex <sup>®</sup> ou du Glass Plus <sup>®</sup> d'abord sur le chiffon, ensuite essuyez pour nettoyer. Utilisez du Fantastik <sup>®</sup> ou du Formula 409 <sup>®</sup> pour enlever les éclaboussures de graisse.
<b>D</b>	<b>Peint</b>	Nettoyez avec une eau savonneuse ou appliquez du Fantastik <sup>®</sup> ou du Formula 409 <sup>®</sup> d'abord sur une éponge propre ou sur des feuilles en papier et essuyez pour nettoyer. Evitez d'utiliser des nettoyeurs en poudre ou des tampons métalliques à récurer.
<b>E</b>	<b>Porcelaine</b>	Essuyez immédiatement les éclaboussures acides comme les jus de fruit, le lait, les tomates avec un chiffon sec. N'utilisez pas d'éponge/chiffon humide sur de la porcelaine chaude. Lorsqu'elle est froide, nettoyez avec de l'eau chaude savonneuse ou appliquez du Soft Scrub <sup>®</sup> ou du Bon-Ami <sup>®</sup> sur une éponge humide. Rincez et séchez. Pour les tâches récalcitrantes, utilisez doucement du Brillo <sup>®</sup> , ou les chiffons S.O.S. <sup>®</sup> . Il est normal que la porcelaine se craquelent très légèrement (de fines lignes) avec l'âge à cause des expositions à la chaleur et aux résidus alimentaires.
<b>F</b>	<b>Verre réfléchissant</b>	Nettoyez avec de l'eau chaude savonneuse ou un nettoyeur en plastique. Frottez vigoureusement avec du vinaigre, du Windex <sup>®</sup> , de l'ammoniac, ou du Bon-Ami <sup>®</sup> . N'UTILISEZ PAS D'ABRASIFS FORTS.
<b>G</b>	<b>Acier inoxydable</b>	Essuyez toujours avec un chiffon ou un nettoyeur avec grain. Nettoyez avec une éponge savonneuse ensuite rincez et séchez. Ou essuyez avec du Fantastik <sup>®</sup> ou du Formula 409 <sup>®</sup> vaporisé sur des feuilles en papier. Protégez ou polissez avec du Stainless Steel Magic <sup>®</sup> et un chiffon doux. Enlevez les taches d'eau avec un chiffon imbibé de vinaigre blanc. Utilisez du Zud <sup>®</sup> , Cameo <sup>®</sup> , Bar Keeper's Friend <sup>®</sup> ou RevereWare Steel Cleaner <sup>®</sup> , pour enlever la décoloration due à la chaleur.
<b>H</b>	<b>Sonde (si existe)</b>	Nettoyez la sonde à la main avec un détergent et de l'eau chaude. Ensuite rincez et séchez. Ne la trempez pas ou ne la mettez pas au lave-vaisselle.

**Vous pouvez en toute sûreté nettoyer la table de cuisson à l'aide d'une éponge humide et savonneuse, puis la rincer et l'essuyer. Dans le cas de taches tenaces, suivez les méthodes de nettoyage recommandées ci-dessous.**

**ATTENTION**

- Avant de commencer à nettoyer, vous assurer que les brûleurs sont bien éteints et que les grilles sont froides.
- Parmi les détergents adaptés, toujours choisir le plus doux. Utilisez des chiffons doux, des éponges ou des serviettes en papier propres.
- Frottez les finitions de l'acier inoxydable dans le sens du grain. Bien sécher afin d'éviter les taches d'eau.
- Ne jamais nettoyer les pièces amovibles de la table de cuisson dans un four autonettoyant.
- Après avoir fini de nettoyer et avant d'utiliser à nouveau la table de cuisson, remettez les pièces à leur place.

Les produits d'entretien conseillés ci-dessous et à la page suivante indiquent le type de détergents et ne constituent en aucune façon une forme de publicité d'une marque en particulier. Lisez les instructions d'emploi de chaque produit avant de l'utiliser.

**NETTOYAGE DE LA TABLE DE CUISSON****CLEANING THE COOKTOP**



## Table de Cuisson / Produits d'Entretien Conseillés

Pièces et matériaux	Produits conseillés	Suggestions/rappels
<b>Base du brûleur</b> (alliage aluminium)	Chiffon humide.	Maintenez l'injecteur de gaz propre et empêchez les produits nettoyants ou d'autres matériaux d'entrer dans l'orifice de l'injecteur.
<b>Diffuseur de flamme</b> (alliage aluminium)	Détergent et eau chaude: rincez et séchez. Brosse à dent nylon à poils durs pour nettoyer les orifices.  Produits nettoyants abrasifs: revere ware® metal polish. Suivre les instructions sur la boîte. Utilisez Brillo® ou des tampons S.O.S.®. Rincer et sécher.	Frottez doucement en un mouvement circulaire. Des produits nettoyants pour aluminium peuvent dépolir la surface.  Pour nettoyer l'orifice du diffuseur, utilisez une brosse à dent ou une agrafe ouverte.
<b>Diffuseur de flamme</b> (Laiton)	Lavez-les à l'eau chaude et savonneuse, rincez et séchez. Utilisez une brosse de nylon aux soies raides ou un trombone à bout droit pour nettoyer les encoches du diffuseur de flamme.	Frottez doucement en un mouvement circulaire. Des produits nettoyants pour laiton peuvent dépolir la surface. Pour nettoyer l'orifice du diffuseur, utilisez une brosse à dent ou une agrafe ouverte.
<b>Chapeau du brûleur et grille</b> (porcelaine émaillée sur fer forgé)	Produits nettoyants non-abrasifs: eau chaude et détergent, Fantastic, Formula 409. Rincez et séchez immédiatement. Produits nettoyants doux: Bon Ami® et Soft Scrub®. Produits nettoyants abrasifs pour taches rebelles: paillettes métalliques imbibées de savon.	Les grilles sont lourdes: les soulever avec précaution, les placer sur une surface protégée. Il est normal de trouver boursoufflures/craquelures/ éclats étant donné les températures extrêmes sur les tiges de la grille et les rapides changements de température. Des débordements de substances acides ou sucrées peuvent détériorer l'émail. Nettoyez tout de suite. Des produits nettoyants abrasifs, si utilisés trop souvent ou trop vigoureusement peuvent à la longue endommager l'émail.
<b>Triple grille</b> (trois couches de grille en acier inoxydable / aluminium)	<b>Avertissement : il y a un risque de brûlure lorsque l'on nettoie une surface de cuisson qui est toujours chaude !</b> Ne nettoyez pas les surfaces de cuisson avec des poudres abrasives ou des détergents agressifs. Nettoyez la surface de cuisson avec des cubes de glace ou de l'eau froide.	<b>Après chaque utilisation :</b> Eteignez l'appareil et attendez qu'il refroidisse jusqu'à environ 195/215°F (90/100 °C) 20/30min. Essuyez le gril avec un chiffon sec, épais et rugueux pour retirer tous les résidus et particules résiduelles. Placez des cubes de glace sur la surface de cuisson l'un après l'autre ; détachez simultanément la saleté avec la spatule, retirez les résidus et amassez-les dans l'égouttoir. Vous pouvez utiliser de l'eau froide à la place des cubes de glace.  Lorsque la surface de cuisson est froide, toutes les tâches laissées par le blanc d'œuf ou l'acide présent dans les aliments peut être retiré avec du jus de citron et un chiffon propre. Rincez complètement avec un chiffon humide. Recouvrez d'une fine couche d'huile de cuisson.  Si la surface de cuisson était déjà froide avant le nettoyage, chauffez-la à 100 °C puis éteignez à nouveau.

Pièces et matériaux	Produits conseillés	Suggestions/rappels
<b>Finition externe</b> (porcelaine émaillée)	Eau chaude savonneuse. Rincez et bien essuyez. Produits nettoyants non-abrasifs: ammoniac, Fantastic®, Formula 409®. Produits nettoyants abrasifs doux: Bon Ami®, Ajax® et Comet®. Produits nettoyants liquides: Kleen King®, Soft Scrub®.	Les débordements de substances acides ou su crées endommagent l'émail. Nettoyez immédiatement. Ne pas utiliser une éponge ou un chiffon mouillé sur la porcelaine chaude. Quand vous utilisez des produits abrasifs, toujours les appliquer en exerçant une pression minimum.
<b>Boutons de commande</b> (acier inoxydable)	Eau chaude savonneuse. Rincez et essuyez tout de suite. Si nécessaire, retirez les boutons (tirer vers le haut).	Ne pas faire tremper les boutons. Ne pas utiliser des produits pour nettoyer ou frotter qui sont abrasifs. Ne pas remettre les boutons en forçant sur le pivot de la soupape. Pour extraire les boutons du panneau de commande, les tirer droit vers soi. Lorsque vous remettez les boutons, vous assurer qu'ils sont en position OFF. Ne pas enlever le tampon d'étanchéité sous les boutons.
<b>Finition externe</b> (acier inoxydable)	Produits nettoyants non-abrasifs: eau chaude et détergent, Fantastic®, Formula 409. Rincez et essuyez tout de suite. Crème nettoyante Stainless Steel Magic ® pour protéger la finition contre les taches et les marques et rehausser l'aspect. Taches d'eau rebelles: vinaigre blanc de cuisine. Produits nettoyants abrasifs doux: Kleen King® stainless steel liquid cleaner, Cameo® aluminium & stainless steel, Bon Ami®. Contre la décoloration due à la chaleur: Bar Keepers Friend®.	L'acier inoxydable résiste à la plupart des taches et des marques aussi longtemps que vous nettoyez bien et protégez la surface. Ne jamais laisser des taches d'aliments ou de sel sur l'acier inoxydable, même un court instant. Frottez légèrement dans le sens de la finition. Le chlore ou certains composants de chlore dans les détergents sont corrosifs pour l'acier inoxydable. Avant d'utiliser un détergent, vérifiez sa composition sur l'étiquette. Appliquez les produits nettoyants abrasifs avec le minimum de pression possible, particulièrement sur les lignes dessinées.
<b>Allumeurs</b> (céramique)	Nettoyez avec précaution à l'aide d'un bout de coton humidifié avec de l'eau, de l'ammoniac ou Formula 409®. Enlevez la saleté en frottant doucement avec un cure-dent.	Évitez d'utiliser trop d'eau sur l'allumeur. Un allumeur humide empêchera le brûleur de s'allumer. Enlevez tout reste de tissu qui serait resté accroché après le nettoyage.
<b>Bac à égouttement</b> (acier inoxydable)	<b>Laissez refroidir la table de cuisson avant de nettoyer.</b> Retirez, videz et nettoyez l'égouttoir.	Nettoyez le bac avec de l'eau chaude savonneuse. Essuyez la zone sous l'égouttoir. Une fois qu'il est sec, remplacez le bac à égouttement en position. Bac d'égouttement de graisse en acier inoxydable compatible lave-vaisselle.

Avant d'appeler un dépannage, vérifiez ce qui suit pour éviter des charges de dépannage non nécessaires.

Problème de four	Solution des problèmes par étape
Erreur F03 ou F04 figurant à l'affichage	Il y a un problème avec le loquet de verrouillage. Eteignez le four et le rallumez après quelques secondes. Le four va effectuer un auto-test de loquet. Si le problème persiste, notez le code d'erreur et téléphonez au centre de service agréé.
F15 ou F16 ou F17 Erreur apparaît dans la fenêtre d'affichage	Un code d'erreur se produit si la position du bouton du mode de cuisson a été laissée entre OFF et SELF-CLEAN ou entre DEFAULT / PRESET et SELF-CLEAN sur le bouton sélecteur de température pendant 30 secondes ou plus. F15 est lié au four droit ou supérieur et F16 est lié au four gauche ou inférieur (selon modèle). Tournez tous les boutons du four en position OFF, puis coupez l'alimentation (débranchez ou coupez le disjoncteur) et rallumez-le après quelques secondes. Si la condition persiste avec les boutons en position OFF, notez le numéro de code et contactez le service.  F17 apparaît after the error F15 appeared because F17 it is just an extension of F15. Tournez tous les boutons du four en position OFF, puis coupez l'alimentation (débranchez ou coupez le disjoncteur) et rallumez-le après quelques secondes. Si la condition persiste avec les boutons en position OFF, notez le numéro de code et contactez le service.
Autre erreur F _____ figurant à l'affichage	Eteignez l'appareil et rallumez-le après quelques secondes. Si le problème persiste, notez le code d'erreur et téléphonez au centre de service agréé.
Le display du four ne s'éteint pas	Coupez l'alimentation à la source principale (fusible ou disjoncteur). Remettez le disjoncteur. Si le problème persiste, téléphonez au centre de service agréé.
Ventilateur de refroidissement continuant à fonctionner une fois le four éteint	Le ventilateur s'éteint automatiquement lorsque les composants électroniques sont suffisamment froids.
La porte est verrouillée et ne s'ouvre pas même après le refroidissement	Eteignez le four avec le disjoncteur et attendez quelques secondes. Remettez le disjoncteur. Le four devrait se régler seul et devrait fonctionner.
Le four ne chauffe pas	Vérifiez le disjoncteur et les fusibles de chez vous. Vérifiez que la température du four est correctement sélectionnée.
Le four ne cuit pas uniformément	Vérifiez l'étalonnage du four. Réglez l'étalonnage si nécessaire (reportez-vous au Décalage du four, Page 15). Reportez-vous aux tableaux de cuisson pour la position des grilles recommandée. Réduisez toujours votre recette de 25 °F (15 °C) lorsque vous cuisinez avec le mode de cuisson à convection.
La température four est trop froide ou trop chaude	Le thermostat du four doit être réglé. Voyez Etalonnage de la température du four, Page 15.
L'éclairage du four ne fonctionne pas correctement	Remplacez ou réinsérez l'ampoule si elle est desserrée ou en panne. Voyez Page 32. Ne touchez pas l'ampoule avec vos doigts car cela peut la faire griller.
L'éclairage du four ne s'éteint pas	Vérifiez si rien n'obstrue la port du four. Vérifiez si la charnière n'est pas pliée ou que le loquet n'est pas verrouillé.
Impossibilité d'enlever le couvercle de la lentille du four	Il se peut qu'il y ait une accumulation de saleté autour du couvercle de la lentille. Essuyez-le avec un chiffon sec et propre avant d'essayer d'enlever le couvercle de la lentille
L'auto-nettoyage du four ne fonctionne pas correctement	Laissez le four refroidir avant l'auto-nettoyage. Essuyez toujours les résidus ou les éclaboussures avant l'auto-nettoyage. Si le four est vraiment sale, réglez l'auto-nettoyage sur 4 heures. Voyez Préparation du four pour l'auto-nettoyage, Page 29.
La pendule et la minuterie ne fonctionnent pas correctement	Assurez-vous que le four est bien branché. Voyez Pendule et minuterie, Page 14.
Humidité excessive	Lorsque vous utilisez le mode cuisson, préchauffez d'abord le four. La cuisson à convection et le rôtissage à convection éliminent l'humidité du four (c'est un des avantages de la convection).
Eclats de porcelaine	Lorsque vous enlevez et remplacez les grilles, inclinez-les toujours vers le haut et ne forcez pas pour éviter les éclats de porcelaine.

<b>Problème de four</b>	<b>Solution des problèmes par étape</b>
Eclats de porcelaine	Lorsque vous enlevez et remplacez les grilles, inclinez-les toujours vers le haut et ne forcez pas pour éviter les éclats de porcelaine.
<b>L'allumage ne fonctionne pas</b>	
Le câble électrique est-il bien branché?	Branchez l'appareil à une prise à 3 fils reliée à la terre.
Est-ce un fusible ou le disjoncteur différentiel qui a sauté?	Remplacez le fusible ou ré-enclencher le disjoncteur.
<b>Les brûleurs de surface ne fonctionnent pas</b>	
Est-ce la première fois que les brûleurs sont utilisés?	Allumez n'importe quel brûleur de surface afin de libérer l'air dans les conduites de gaz.
Le bouton de commande est-il sur la bonne position?	Enfoncez le bouton avant de le tourner vers la position désirée.
Les orifices du brûleur sont-ils obstrués?	Lire la section "Brûleurs de surface étanches".
<b>Les flammes des brûleurs sont inégales, jaunes et/ou font du bruit</b>	
Les orifices des brûleurs sont-ils obstrués?	Lire la section "Brûleurs de surface étanches".
Les chapeaux des brûleurs sont-ils bien en place?	Lire la section "Brûleurs de surface étanches".
Vous utilisez du gaz propane?	L'appareil a peut-être été mal converti. Contactez un technicien d'entretien.
<b>Le brûleur de surface émet un cliquetis</b>	
Le brûleur est-il humide?	Le laisser sécher.
Le chapeau et le diffuseur de gaz sont-ils bien en place?	Assurez-vous que les pivots sont bien alignés et lisez la section "Brûleurs de surface étanches".
Le récipient de cuisson est-il beaucoup plus grand que l'espace de grille prévu ?	Enlever temporairement le récipient, si le cliquetis cesse puis revient lorsque l'on remplace le récipient, cela est dû à la taille trop grande de ce dernier. On peut toujours continuer à cuisiner avec le récipient, mais le cliquetis continuera jusqu'à ce que la cuisson soit terminée.
<b>Chaleur excessive autour des récipients utilisés</b>	
Le récipient a-t-il la bonne taille?	Utilisez un récipient qui ait plus ou moins le même diamètre que celui de l'aire de cuisson, de l'élément ou du brûleur de surface. Les récipients ne devraient pas dépasser de plus de 1 in. (2,5 cm) l'aire de cuisson.
<b>Les résultats de cuisson ne sont pas ceux escomptés</b>	
Utilisez-vous le bon récipient?	Lire la section "Batterie de cuisine".
Avez-vous mis le bouton sur la position correcte?	Lire la section "Utilisation des boutons de commande".

Avant d'appeler l'assistance ou le service après-vente, veuillez bien vérifier la section « Solution aux problèmes ». Ceci peut vous faire économiser le coût d'un appel à un centre de service. Si vous avez cependant besoin d'aide, suivre les indications cidessous. Lorsque vous appelez, soyez prêt à indiquer la date d'achat, le modèle complet ainsi que le numéro de série de votre appareil. Ces informations nous permettront de mieux répondre à vos questions.

## Données de Service

**Pour un centre de service autorisé ou de l'information sur les pièces, voir le "GARANTIE pour l'électroménager".**

Pour l'emplacement de du numéro de série voir Page 7. Notez cette information dans l'espace prévu à cet effet cidessous. Gardez votre facture pour la validation de votre garantie.

### Service Data Record

Numéro de modèle \_\_\_\_\_

Numéro de série \_\_\_\_\_

Date d'installation ou Occupancy \_\_\_\_\_



**Preste la debida atención a los siguientes símbolos que encontrará en el manual.**

### **ADVERTENCIA**

- Este es el símbolo de los avisos relacionados con la seguridad: alerta sobre potenciales peligros que pueden derivar en muerte o daños a las personas.
- Si no sigue estas instrucciones, puede correr peligro de muerte o de resultar gravemente herido.

**LEA Y CONSERVE ESTAS INSTRUCCIONES.**

### **ADVERTENCIA**

**Si no se siguen exactamente las instrucciones de esta guía, se puede ocasionar un incendio o explosión que dé como resultado daños materiales, lesiones personales o la muerte.**

- **NO almacene ni use gasolina u otros vapores y líquidos inflamables cerca de esta unidad o de cualquier otro electrodoméstico.**
- **QUÉ HACER SI PERCIBE OLOR A GAS:**
  - **NO** intente encender ningún electrodoméstico.
  - **NO** toque ningún interruptor eléctrico.
  - **NO** use ningún teléfono dentro del edificio.
  - **Llame inmediatamente al proveedor de gas desde el teléfono de su vecino. Siga las instrucciones del proveedor de gas.**
  - **Si no se puede comunicar con el proveedor de gas, llame al departamento de bomberos.**
- **Un instalador calificado, una agencia de servicio o el proveedor de gas debe realizar la instalación y el servicio.**

**IMPORTANTE:** Guarde estas instrucciones para el uso del inspector eléctrico local.

**INSTALADOR:** Por favor, deje este manual a propietario para futuras consultas.

**PROPIETARIO:** Por favor, conserve este manual para futuras consultas.

### **ADVERTENCIA**

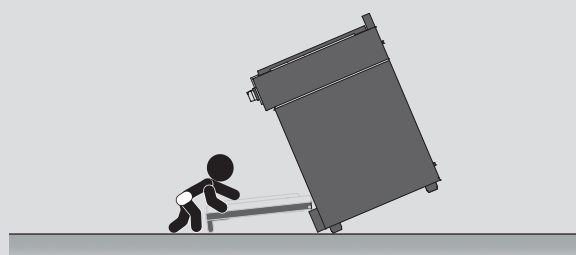
#### **Peligro de vuelco**

El vuelco de la cocina es un riesgo para todos, niños y adultos, que puede llegar a provocar la muerte.

Cuando se desplace la cocina, comprobar que el taco anti-vuelco está acoplado.

No dejar que la cocina funcione sin el taco anti-vuelco instalado y acoplado.

El no respeto de estas instrucciones puede provocar quemaduras graves o incluso la muerte para todos, niños y adultos.



Para comprobar que el taco anti-vuelco está instalado y acoplado:

- Deslice la cocina hacia delante.
- Compruebe si el taco anti-vuelco está fijado firmemente al suelo o a la pared.
- Deslice la cocina hacia atrás de tal manera que la pata trasera se encuentre debajo del taco anti-vuelco.
- Para más detalles, consulte las instrucciones de instalación.

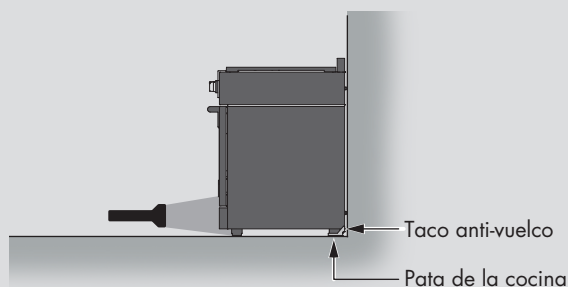


TABLA DE MATERIAS	Página
<b>1 - Precauciones de Seguridad</b>	<b>3</b>
<b>2 - Instrucciones de Seguridad</b>	<b>5</b>
Precauciones de seguridad para la autolimpieza del horno	5
Advertencias para Instalación de Gas y Eléctrica	5
<b>3 - Características de su Horno</b>	<b>7</b>
<b>4 - Paneles de Control</b>	<b>9</b>
Mandos	9
Pantallas	9
Selectores	9
<b>5 - Modos del Horno</b>	<b>10</b>
<b>6 - Generalidades del Horno</b>	<b>11</b>
<b>7 - Consejos Generales para el Horno</b>	<b>12</b>
Rejillas del horno	12
La rejilla extensible	13
<b>8 - Configurar el Reloj y el Temporizador</b>	<b>14</b>
Para configurar la hora	14
Para configurar el temporizador (timer)	14
<b>9 - Selección de los Modos del Horno</b>	<b>15</b>
Para configurar el modo de cocinar y temperatura	15
Uso de la tecla menù para seleccionar las funciones de temperatura baja	15
Uso de las lámparas del horno	15
<b>10 - Modos Cronometrados de Cocinar</b>	<b>16</b>
Para configurar el modo cronometrado	16
Para retardar el inicio de un modo temporizado	16
Con un modo temporizado activo	16
Cómo comprobar un valor de tiempo	16
<b>11 - Establecimiento de las Opciones de la Sonda para Carne</b>	<b>17</b>
<b>12 - Consejos y Técnicas de Horneado</b>	<b>18</b>
Directrices generales	18
<b>13 - Consejos y Técnicas de Horneado de Convección</b>	<b>19</b>
Tabla de horneado de convección	20
<b>14 - Consejos y Técnicas de Grill de Convección</b>	<b>21</b>
Gráfico de horneado por convección - CAVIDAD DE CONVECCIÓN	21
<b>15 - Consejos y Técnicas del Asado de Convección</b>	<b>23</b>
Gráfico de asado por convección - CAVIDAD DE CONVECCIÓN	23
<b>16 - Consejos y Técnicas de Deshidratado</b>	<b>24</b>
Tabla de deshidratado	24
<b>17 - Consejos y Técnicas del Asado</b>	<b>25</b>
Tabla de asado	25
Pautas e seguir para la temperatura de alimentos de FSIS (Servicio de Inspección y Seguridad de Alimentos USDA)	25

TABLA DE MATERIAS	Página
<b>18 - Resolución de los Problemas de Horneado</b>	<b>26</b>
<b>19 - Características Especiales</b>	<b>27</b>
<b>20 - Instrucciones del Modo Sábado</b>	<b>28</b>
<b>21 - Cuidado y Limpieza del Horno</b>	<b>29</b>
Autolimpieza del horno	29
Antes de la autolimpieza	29
<b>22 - Configuración del Modo de Autolimpieza</b>	<b>30</b>
Para configurar el modo de autolimpieza	30
Para cambiar el tiempo de limpieza	30
Para retardar el inicio de la limpieza	30
<b>23 - Operaciones de Mantenimiento que Puede Hacer Usted Mismo Quitar la Puerta del Horno</b>	<b>31</b>
Para quitar la puerta	31
Para volver a colocar la puerta	31
<b>24 - Cambiar una Lámpara del Horno</b>	<b>32</b>
Para reemplazar la bombilla	32
<b>25 - Características de su Placa de Cocción</b>	<b>33</b>
<b>26 - Funcionamiento del Quemador de la Placa de Cocción a Gas</b>	<b>36</b>
Uso de los Mandos	36
Quemadores de gas	36
Quemadores con llamas de dos coronas	36
Quemadores de Superficie Bien Sellados	37
<b>27 - Funcionamiento de la Placa de Cocción a Gas</b>	<b>38</b>
Plancha	38
Sazonado de la plancha	38
Operación de plancha	38
Cuidado de la plancha	38
Encendido eléctrico de gas	38
Consejos de Cocina	39
Tabla de Plancha de Cocinado	39
<b>28 - Cuentaminutos</b>	<b>40</b>
<b>29 - Recipientes de Cocina</b>	<b>41</b>
Características de los Materiales	41
Adecue el Diámetro de la Llama al del Recipiente	41
<b>30 - Cuidado General del Horno</b>	<b>42</b>
Cómo usar la tabla de la limpieza del horno	42
Gráfico limpieza	42
<b>31 - Acabados del Horno / Métodos de Limpieza</b>	<b>43</b>
<b>32 - Limpieza de la Placa de Cocción</b>	<b>44</b>
Placa de Cocción / Productos de Limpieza Aconsejados	45
<b>33 - Resolución de los Problemas de Funcionamiento</b>	<b>47</b>
<b>34 - Servicio de Asistencia Técnica</b>	<b>49</b>





## INSTRUCCIONES IMPORTANTES

Electrodoméstico y cocinas

Por favor, lea todas las instrucciones antes de utilizar este aparato.



### ADVERTENCIA

Su nuevo cocinas se ha diseñado para ser un aparato seguro y fiable si se usa de la manera apropiada. **Lea atentamente todas las instrucciones antes de utilizar este aparato. Estas precauciones reducirán los riesgos de sufrir quemaduras, descargas eléctricas, fuego y lesiones. Cuando se utilizan aparatos de cocina es preciso seguir algunas precauciones básicas de seguridad, incluyendo las siguientes:**

Un técnico cualificado tiene que instalar correctamente este aparato y realizar una buena puesta a tierra. Conecte solo a una puesta a tierra apropiada. Vea las instrucciones de Conexión de puesta a tierra que se encuentran en las Instrucciones de Instalación.

- Solo un técnico calificado debe dar el servicio a este aparato. Póngase en contacto con el centro de servicio autorizado más cercano para la inspección, reparación y ajustes.
- No repare o reemplace ninguna parte del aparato a menos que le haya sido recomendado específicamente. Solicite el servicio de un centro autorizado.
- No utilice esta unidad si no funciona bien o si está dañada hasta que un técnico del servicio autorizado la haya inspeccionado.
- Instale o coloque este aparato de acuerdo con las instrucciones de instalación.
- Use etse cocinas solo para lo que lo ha concebido su fabricante. Si tiene alguna duda, contacte con él
- No cubra ni bloquee las aberturas de este aparato.
- Use este aparato solo el uso para el que ha sido concebido como se describe en este manual. No use productos químicos corrosivos, vapores, productos inflamables o no alimenticios en este aparato. Este tipo de horno ha sido diseñado específicamente para calentar o cocinar alimentos. No está diseñado para uso industrial o de laboratorio. El uso de productos químicos corrosivos cuando calienta o limpia el horno dañará el aparato.
- En el caso de encenderse la ropa o el cabello, ÉCHESE AL PISO y DESE VUELTAS DE INMEDIATO para apagar las llamas.



### ADVERTENCIA

- Si el aceite en el que está cocinando prende fuego, puede EXTINGUIR LAS LLAMAS con una tapa que encaje bien con la sartén y la cubra por completo, o bien con una bandeja de horno o algún tipo de bandeja de metal. Después, apague el quemador.
- SI TIENE CUIDADO, EVITARÁ QUEMADURAS.
- Si las llamas no se apagan inmediatamente, SALGA DE LA HABITACIÓN Y LLAME A LOS BOMBEROS.
- No utilice agua, ni trapos o toallas húmedos para apagar un fuego provocado por aceite. Podría provocar una violenta explosión.
- NUNCA COJA UNA SARTÉN EN LLAMAS: podría quemarse.
- Tenga SIEMPRE un DETECTOR DE INCENDIOS que funcione correctamente cerca de la cocina.
- DEJE SIEMPRE LA CAMPANA EXTRACTORA DE HUMOS ENCENDIDA cuando flambee alimentos.
- No taponar los flujos de aire en combustión a nivel de la apertura de ventilación del horno ni debajo de panel frontal inferior de la cocina. Evitar tocar las aperturas de ventilación o las superficies cercanas ya que estas superficies podrían calentarse mientras que el horno está funcionando. Es indispensable que haya un aire fresco para una buena combustión en el quemador.
- NUNCA tape ninguna ranura, orificio o abertura del horno o forre una rejilla completa con papel de aluminio. De lo contrario puede bloquear el flujo de aire en el horno y causar envenenamiento por monóxido de carbono. Forros con papel de aluminio pueden atrapar el calor, causando un riesgo de incendio.
- NUNCA use este electrodoméstico como un calentador de espacio o para calentar la habitación. Hacerlo puede provocar envenenamiento por monóxido de carbono y recalentar el horno.

#### Para reducir el riesgo de quemaduras mientras cocina, siga los siguientes consejos:

- No deje a niños o mascotas solos o sin supervisión en una habitación en la que haya electrodomésticos en funcionamiento. No permita que se sienten o se apoyen en ninguna parte del electrodoméstico. No almacene materiales inflamables sobre la placa de cocción ni cerca de ella.
- Cuando utilice la placa de cocción: NO TOQUE LAS PARRILLAS DE LOS QUEMADORES NI LA ZONA QUE ESTÁ INMEDIATAMENTE ALREDEDOR.

- Utilice únicamente paños o manoplas de cocina secos para manejar los recipientes: si utiliza manoplas húmedas o mojadas en superficies calientes, podría quemarse con el vapor del agua.
- No permita que el papel de aluminio o la sonda para carne entren en contacto con los elementos calentadores.
- No deje jamás la placa de cocción sin supervisión mientras esté encendida. Las salpicaduras de los recipientes provocan humo y si se derrama grasa, puede prender fuego. Una salpicadura en un quemador puede apagar parte de la llama o la llama entera, o impedir que la chispa prenda. Si se derrama algún alimento, apague el quemador y compruebe que funciona correctamente. Si el quemador funciona con normalidad, puede volver a encenderlo.
- Cuando esté cocinando, gradúe la intensidad de la llama de forma que caliente únicamente la base de la sartén: las llamas no deben sobresalir de la base.
- Asegúrese de que no haya corrientes de aire (como las provocadas por ventiladores) que conduzcan materiales inflamables hacia las llamas o que extiendan la llama más allá de los bordes del recipiente que esté utilizando.
- Coloque siempre los mangos de los utensilios hacia dentro, de forma que no se sitúen sobre las áreas de trabajo colindantes, los quemadores o el borde de la placa de cocción.
- Cuando cocine, utilice siempre la vestimenta adecuada. No utilice nunca ropa demasiado holgada ni mangas colgantes. No permita que la ropa, los trapos de cocina u otros materiales inflamables entren en contacto con los quemadores o las parrillas de los quemadores cuando estén calientes.
- Utilice únicamente recipientes adecuados para cocinas de gas, como determinados tipos de cristal, cerámica vidriada refractaria, barro u otros utensilios vitrificados.
- No limpie la placa de cocción mientras esté caliente. Algunos limpiadores producen un humo nocivo si se utilizan en superficies calientes

**PRECAUCIÓN**

No permita que los quemadores ni las parrillas entren en contacto con papel de aluminio, plástico o tela mientras estén calientes. Y tampoco coloque sartenes o recipientes vacíos sobre el fuego encendido.

**PRECAUCIÓN**

No deje cosas que puedan atraer la atención de los niños encima del cocinas. Si se suben al horno para alcanzar estas cosas podrían sufrir graves daños.

Para reducir el riesgo de fuego en el interior del horno:

1. No guarde materiales inflamables en el interior o cerca del horno.
2. No use agua cuando se produce un incendio de grasa. Apague el fuego con un extintor químico de polvo o espuma.
3. Se recomienda tener un extintor a mano y muy a la vista cerca de cualquier electrodoméstico, que se pueda usar rápidamente.
4. No recueza demasiado los alimentos. Vigile el horno con cuidado cuando utiliza materiales de papel, plástico u otros materiales combustibles 5. No utilice el horno para almacenar cosas. Nunca deje productos de papel, utensilios de cocina o alimentos en su interior cuando no se usa.
6. En caso de que se enciendan materiales dentro del horno, mantenga cerrada la puerta. Apague el horno y desconecte el circuito en la caja del cortacircuito.
7. No obstruya los conductos de ventilación del horno.
8. Asegúrese de que funciona el ventilador cuando el horno está funcionando. En caso contrario no utilice el horno. Llame a un centro de servicio autorizado.
9. Use ropa apropiada por cuestión de seguridad. Nunca use prendas sueltas o que tengan mangas largas mientras utiliza este aparato.

- Mantenga recogido el cabello largo.
- No toque elementos de calentamiento o superficies internas del horno.
- Los elementos de calentamiento podrían estar calientes incluso si presentan un color oscuro. Las superficies internas del horno podrían estar lo suficientemente calientes como para causar quemaduras.
- Durante y después del uso, no permita que la ropa u otros materiales inflamables entren en contacto con los elementos de calentamiento o con las superficies internas del horno hasta que no se hayan enfriado. Otras superficies del equipo podrían calentarse lo suficiente para provocar quemaduras. Estas superficies son por ejemplo, las aperturas de ventilación del horno y las superficies situadas a proximidad de estas aperturas, las puertas del horno y las ventanas de las puertas del horno.
- La moldura de la parte superior y de los lados de la puerta del horno podría estar lo suficientemente calientes como para provocar quemaduras.
- Tenga cuidado cuando abra la puerta del horno. Abra la puerta ligeramente para dejar escapar el aire o el vapor caliente antes de sacar los alimentos.
- No caliente recipientes de alimentos cerrados. La presión acumulada podría hacer reventar el recipiente o provocar lesiones.
- Coloque siempre las rejillas del horno en el lugar deseado mientras el horno esté frío. Si tiene que mover una rejilla cuando el horno está caliente, evite el contacto del asa de la olla con los elementos calientes.
- Use siempre asas secas para las ollas. Las asas mojadas o húmedas sobre superficies calientes pueden provocar quemaduras por el vapor. Evite el contacto de las asas con los elementos de calentamiento. No use toallas o trapos voluminosos.
- No permita que el papel de aluminio o la sonda para carne entren en contacto con los elementos calentadores.



### ADVERTENCIA

- Mantenga los encendedores limpios y secos para lograr un encendido y rendimiento óptimos de los quemadores.
- En caso de que un quemador se apague y haya una fuga de gas, abra una ventana o una puerta. Espere al menos 5 minutos antes de volver a utilizar la placa de cocción.
- No obstruya el flujo de combustión ni el de ventilación.
- No usar papel de aluminio para alinear ninguna parte de la cavidad del horno pues se fusionará durante la cocción arruinando el esmalte.
- Si la range cookers se encuentra cerca de una ventana, asegúrese de que no haya cortinas, estores o cualquier otro elemento que cubra la ventana que pueda volar cerca de los quemadores: podría incendiarse.

### Precauciones de seguridad para la autolimpieza del horno

- Comprobar que la puerta está cerrada y deja de abrirse cuando los dos selectores se encuentran en la posición CLEAN y aparece el icono de bloqueo de puerta. Si la puerta no se cierra, girar el selector de modo de cocción sobre OFF y no efectuar la autolimpieza. Contactar con el servicio de asistencia.
- No limpie los empaques de la puerta. Es esencial para un buen sellado. Preste atención a no frotar, dañar, mover o quitar el empaque de la puerta.
- No use detergentes comerciales para hornos o recubrimientos de protección de ningún tipo por encima o alrededor de cualquier parte del horno.
- Limpie solo las partes del horno que aparecen listadas en este manual.
- Antes de la auto-limpieza el horno, retirar la bandeja de la parrilla, las rejillas del horno (solo cuando no sean de porcelana), los demás utensilios y el exceso de alimentos o de derrames blandos.



### ADVERTENCIA

**La eliminación de residuos durante la autolimpieza genera algunos derivados que están en esta lista de sustancias. Para reducir la exposición a estas sustancias, siempre haga funcionar este horno siguiendo las instrucciones de este manual y ventile la cocina durante e inmediatamente después de la autolimpieza.** La ley de Agua potable y sustancias tóxicas de California obliga al Gobernador de California a publicar una lista de sustancias químicas conocidas en el Estado de California como causantes de cáncer, malformaciones congénitas u otros daños reproductivos y además, obliga a las empresas a advertir a las personas si creen que van a estar expuestas a tales sustancias químicas. Este producto contiene una sustancia química que figura en la lista de sustancias peligrosas del Estado estadounidense de California y que se conoce como causante de cáncer, malformaciones congénitas u otros daños reproductivos. Este electrodoméstico puede provocar una baja exposición a algunas de las sustancias de la lista, incluidos el benceno, el formaldehído, el monóxido de carbono, el tolueno y el hollín.

### Advertencias para Instalación de Gas y Eléctrica

#### En caso de que deba efectuar una instalación de gas propano

La placa de cocción ha sido diseñada para ser utilizada con gas natural. Pero puede transformarse para utilizarse con gas propano utilizando el kit de conversión para gas propano que le ha sido entregado con la placa de cocción. Asegúrese de que la unidad que está usted instalando es la adecuada para el tipo de gas que va a utilizar.

**ADVERTENCIA**

La instalación y el mantenimiento de este electrodoméstico deben ser efectuados por un instalador cualificado, una agencia técnica o el proveedor de gas.

**PRECAUCIÓN**

- Desenchufe siempre el aparato de la toma de red de la pared antes de comenzar la revisión o las operaciones de mantenimiento.
- Estos dispositivos deben contar con una toma de tierra para su seguridad.
- No corte ni retire el tercer cable (el cable de tierra) del cable del aparato, bajo ninguna circunstancia.

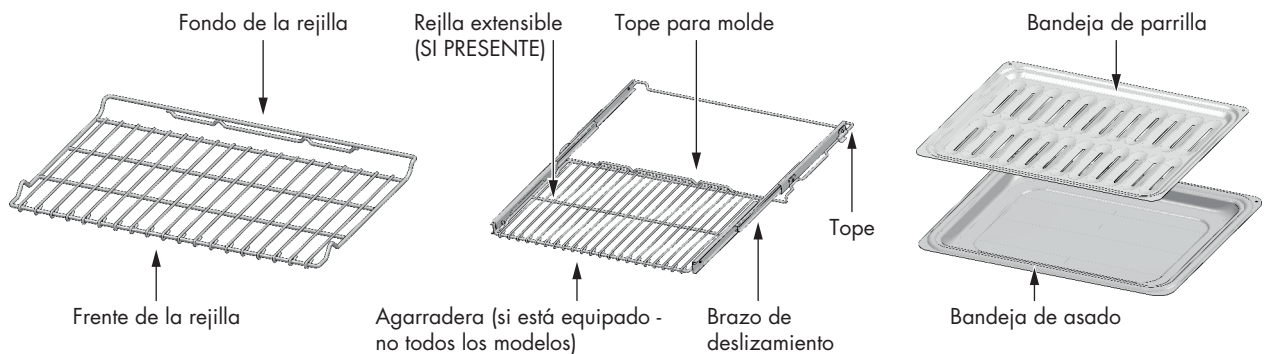
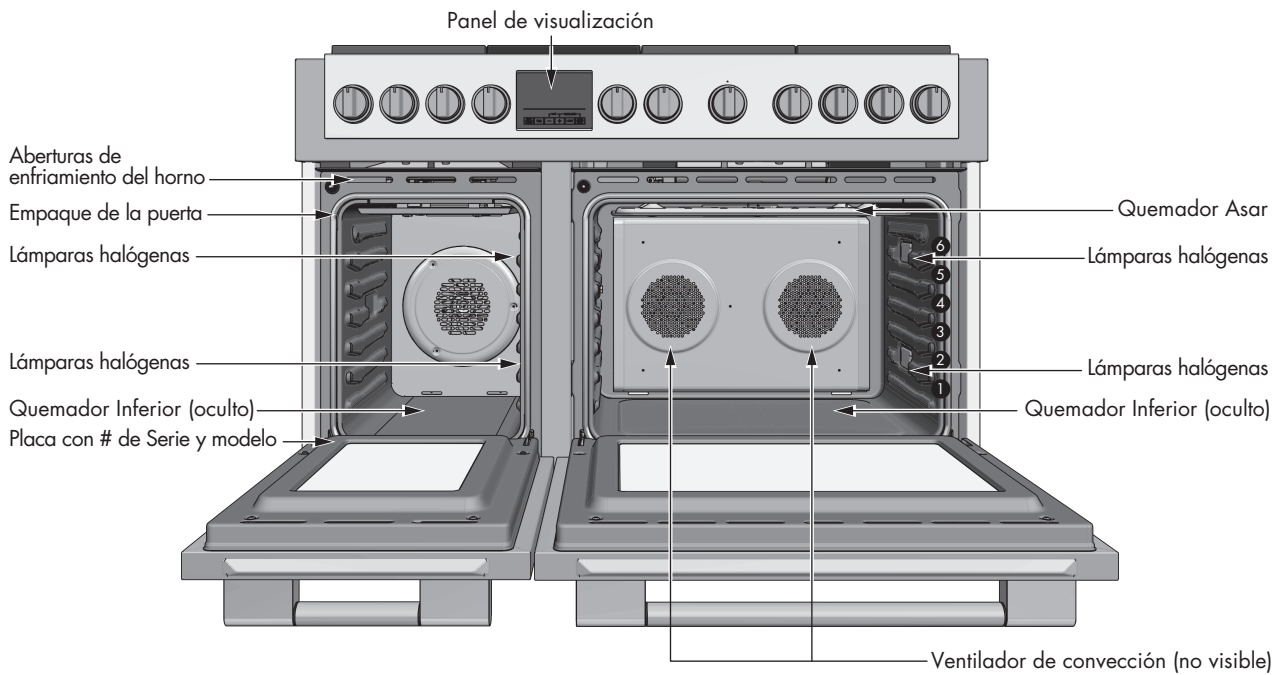
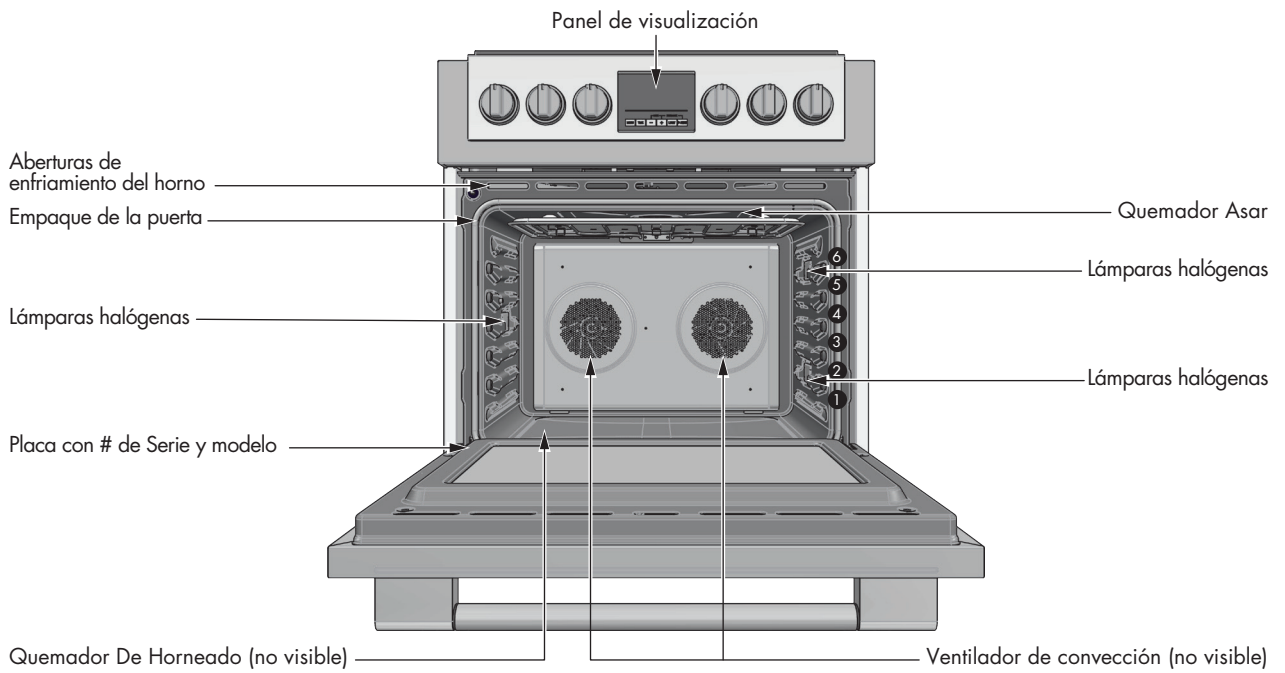
**PRECAUCIÓN**

Cuando conecte la unidad al gas propano, asegúrese de que la bombona de propano está equipada con su propio regulador de alta presión. Además, el regulador de presión que se suministra con el aparatos debe estar en el conducto de entrada del aparato.

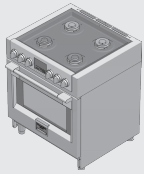
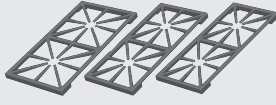
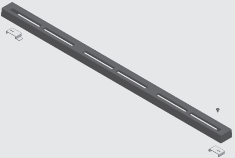
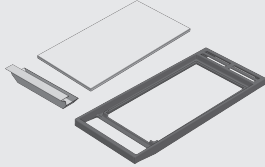
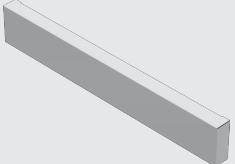
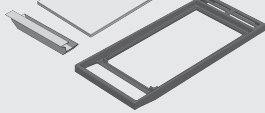
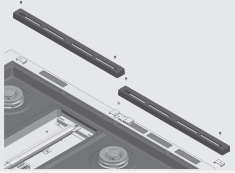
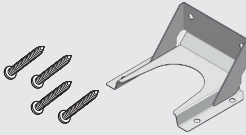
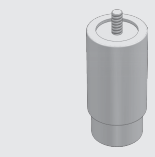
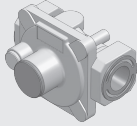

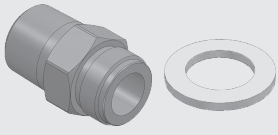


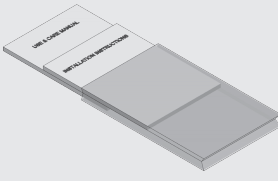
**En caso de interrupción del suministro eléctrico**

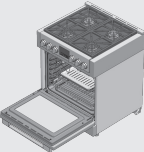
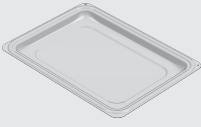
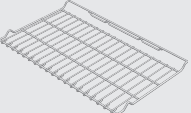



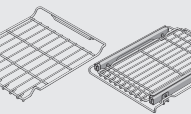
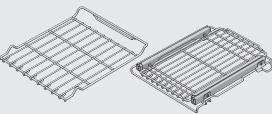
Si por algún motivo, enciende un quemador y no hay energía eléctrica para operar el encendedor electrónico de la placa de cocción, ponga en posición de APAGADO todos los mandos de la placa de cocción y espere 5 minutos para que se disipe el gas que haya podido salir antes de encender el quemador de forma manual. Para encender el quemador manualmente, acerque con cuidado una cerilla encendida a los orificios del quemador y presione y gire el mando correspondiente hasta la posición HI (alta), hasta que se encienda la llama. Después, gire el mando para graduar la llama a la intensidad deseada.

CARACTERÍSTICAS DE SU HORNO

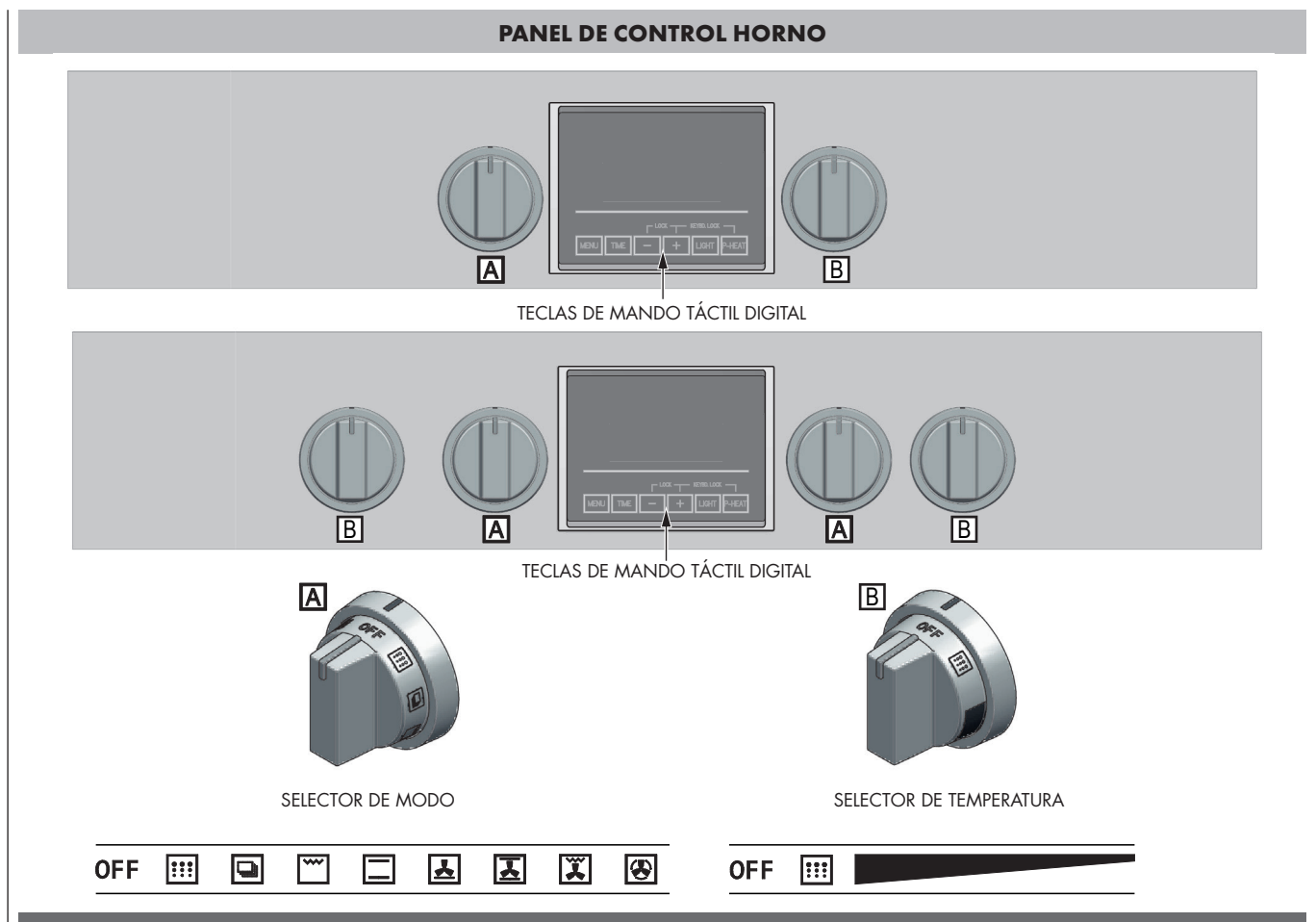


## ES 3- Características de su Horno

CONTENIDOS DE SU CAJA SEGÚN LA GAMA					
	CANT	DESCRIPCIÓN		CANT	DESCRIPCIÓN
	1	GAMA OLLA		2	REJA DE HIERRO FUNDIDO
	1	Para RANGOS 30"/36" AJUSTE DE LA ISLA DE HIERRO FUNDIDO DOS TORNILLOS DE FIJACIÓN		3	Posc. PARA LA GAMA 30"-36" PLANCHA
	1	RODAPIÉ		1	Posc. PARA LA GAMA 36" PLANCHA (PARA RANGO 36"-48")
	1	CUATRO TORNILLOS DE FIJACIÓN ESTABLES		1	REGULADOR DE PRESIÓN
	2	Pzas. para RANGO 48" Recorte de Isla Dos tornillos de fijación		1	NIPLO
	3	PATA		1	JUNTA/ARANDELA
	1	PIE CON COLLAR		1	DOCUMENTACIÓN GENERAL & MANUAL
				1	"INSTRUCCIONES DE INSTALACIÓN"
				1	"USO Y CUIDADO"
				1	KIT DE CONVERSIÓN GAS

ACCESORIOS HORNO PARA SU GAMA					
	CANT	DESCRIPCIÓN		CANT	DESCRIPCIÓN
	1	HORNO		1	BANDEJA PARRILLA ESMALTADA
	2	HORNOS (PARA RANGO 48")		1	PARILLA ESMALTADA ANTISALPICADURAS
	2	RACKS CROMADOS		1	SONDA PARA CARNE
	1	RACK CROMADO TELESCÓPICO			
	2	ESTANTES CROMADOS			

La interfaz del usuario tiene las siguientes características: pantalla, indicadores luminosos de precalentamiento, interruptores de control, perillas de modo de cocción y temperatura.



## Mandos

<b>MENU</b>	Toque esta tecla para habilitar las funciones especiales, los modos de baja temperatura o para entrar en un menú especial. Ver la sección: "Selección del modo horno".
<b>TIME</b>	Ver la sección: "Configuración del reloj y del temporizador"
<b>-</b>	Tecla para disminuir el valor.
<b>+</b>	Tecla para aumentar el valor.
<b>LIGHT</b>	Toque para cambiar el estado de las luces del horno.
<b>P-HEAT</b>	Cuando se ha seleccionado una función de cocción, toque esta tecla para habilitar el modo de precalentamiento rápido. El precalentamiento rápido no está disponible para todas las funciones.
<b>SMALL LARGE</b>	Toque esta tecla para seleccionar la cavidad grande sino es seleccionada ninguna. Si una de las dos ya está seleccionada, tóquela y cambie a la otra.

## Pantallas

### Pantalla multifunción tiempo:

para la hora del día, minuter, cocción automática. También está presente la indicación AM/PM. Las distintas indicaciones también están disponibles para mostrar qué cavidad está seleccionada actualmente y si alguna puerta se ha bloqueado automáticamente para la autolimpieza o el usuario la ha bloqueado manualmente.

### Pantalla de configuración de la temperatura:

Está presente la indicación de unidad de grado (°C o °F). Muestra el punto de ajuste de la temperatura para el modo de cocción actual en la cavidad seleccionada.

### Pantalla modo de cocción:

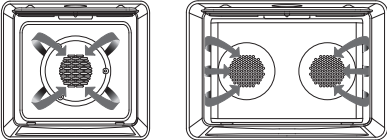
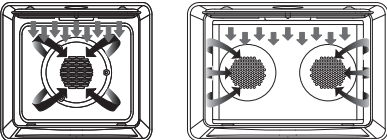
indica la función que ha sido seleccionada.

## Selectores

**Selector de modo de cocción**, con ocho modos de cocción + posición OFF

**Selector de temperatura con posiciones** de PRESET y LIMPIEZA + rango continuo entre los valores MIN y MAX.

Las siguientes ilustraciones dan una vista general de lo que sucede en el horno en cada modo de ajuste. Las flechas representan la posición de la fuente de calor durante cada uno de los modos. Los elementos inferiores están ocultos bajo el piso inferior.

TIPOS DE CAVIDADES					
 <p><b>Convection Cavity</b></p>			 <p><b>Double Convection Cavity</b></p>		
 <p><b>Horneado de convección (CONV BAKE)</b></p>		 <p><b>Horneado (BAKE)</b></p>		 <p><b>Deshidratado (CONV DEHY)</b></p>	
<p>Temperatura establecida: de 170 °F (75 °C) a 550 °F (290 °C) <b>(posición preestablecida en 325 °F (165 °C))</b></p> <p>El horno de convección cocina con calor desde uno o más elementos de anillo detrás de la pared posterior del horno. Este calor circula a través del horno por medio de un ventilador de convección.</p>		<p>Temperatura establecida: de 170 °F (75 °C) a 550 °F (290 °C) <b>(preset position 350 °F (175 °C))</b></p> <p>Hornear es cocinar con aire seco, caliente. Tanto el elemento superior como el inferior se encienden en ciclos para mantener la temperatura del horno.</p>		<p>Temperatura establecida: de 120 °F (50 °C) a 160 °F (70 °C) <b>(posición preestablecida en 140 °F (60 °C))</b></p> <p>El deshidratado es similar al cocinado de convección y soporta una baja temperatura óptima mientras circula el aire seco caliente para quitar la ligera humedad para conservar los alimentos.</p>	
 <p><b>Asado de convección (CONV BROIL)</b></p>		 <p><b>Broil (BROIL)</b></p>		 <p><b>Pizza (PIZZA)</b></p>	
<p>Temperatura establecida: de 170 °F (75 °C) a 550 °F (290 °C) <b>(posición preestablecida en 450 °F (230 °C))</b></p> <p>El Asado de convección combina el calor intenso del elemento superior con el aire que circula por medio del ventilador de convección.</p>		<p>Temperatura establecida: de L1 a L5 <b>(preset position L3)</b></p> <p>El Asado usa el calor intenso que radia el elemento superior.</p>		<p>Temperatura establecida: de 170 °F (75 °C) a 550 °F (290 °C) <b>(posición preestablecida en 450 °F (232 °C))</b></p> <p>Es un modo de cocción especial con aire caliente. Los elementos inferiores se encienden para cocinar pizza.</p>	
 <p><b>Grill de convección (CONV ROAST)</b></p>		 <p><b>Proof (WARM)</b></p>		 <p><b>Defrost (CONV)</b></p>	
<p>Temperatura establecida: de 170 °F (75 °C) a 550 °F (290 °C) <b>(posición preestablecida en 325 °F (165 °C))</b></p> <p>El Grill de Convección usa el calor de los elementos superiores e inferiores, así como el calor del ventilador de convección.</p>		<p>Temperatura establecida: de 80 °F(25 °C) a 120 °F(50 °C) <b>(posición preestablecida en 100 °F (35 °C))</b></p> <p><b>Warming (WARM PLUS)</b> Temperatura establecida: de 130 °F (55 °C) a 210 °F (100 °C) (posición preestablecida en 170 °F (75 °C))</p> <p>Los modos de calentamiento y calentamiento adicional utilizan los elementos inferiores para mantener calientes los alimentos.</p>		<p>No se utiliza ningún elemento de calentamiento, únicamente el ventilador de convección para descongelar alimentos.</p>	



Antes de utilizar el horno por primera vez, retire todo el embalaje y los materiales no pertenecientes al horno o los hornos. Cualquier material de este tipo que se deje en el interior podría fundirse o arder al utilizar el aparato.

Caliente el electrodoméstico vacío a la temperatura máxima para eliminar cualquier residuo de la fabricación que pueda afectar a los alimentos con olores desagradables.

### Símbolos parpadeantes o Números

Indica una acción incompleta que está en curso (bloqueo de la puerta, precalentamiento, etc.) o una configuración incompleta que requiere otra entrada.

### Pitidos

Los pitidos señalan que hay que introducir más información o confirman que se aceptó la entrada. Los pitidos también señalan el final de una función o un error del horno.

### Cierre de seguridad de la puerta

Cierre de seguridad de la puerta Se muestra de forma continua al bloquear la puerta. El símbolo parpadea cuando el pestillo está en movimiento para bloquear o desbloquear la puerta. No intente abrir la puerta en este momento. La puerta se podrá abrir cuando el símbolo deje de aparecer. "AUTO LOCK" aparece cuando la puerta se ha bloqueado automáticamente debido al modo de autolimpieza.

"USER LOCK" se muestra cuando la puerta ha sido bloqueada manualmente por el usuario, por ejemplo, para evitar que los niños tengan libre acceso a la cavidad del horno.

Mantenga pulsadas las teclas **+** y **-** durante 3 segundos. El pestillo bloqueará la puerta. Repita la misma operación para desbloquear.

### Bloque del teclado

Mantenga pulsadas las teclas indicadas con "KEYBD. LOCK" durante 3 segundos. Los controles estarán entonces bloqueados y en la pantalla aparecerá escrito "SENS LOCK" cada vez que toque una tecla. Repita la misma operación durante 3 segundos para desbloquear.

### Ajustes por defecto

Los modos de cocción seleccionan una temperatura apropiada cuando el selector se encuentra en esta posición. Se puede cambiar cuando se necesite una diferente. También es posible establecer una opción de usuario para guardar la última temperatura utilizada para cada modo de cocción.

### Códigos de Números error F

Estos códigos aparecen en la pantalla cuando el control electrónico detecta un problema en el horno o en sus componentes electrónicos.

### Ventilador de convección

El ventilador de convección trabaja durante el modo de convección. Cuando el horno está trabajando en el modo de convección, el ventilador se para automáticamente cuando se abre la puerta. El ventilador de convección funcionará durante el precalentamiento para modos específicos.

### Ventilador de enfriado de los componentes

Se activa durante todos los modos de cocción y de autolimpieza para enfriar los componentes internos y la superficie de la puerta exterior. El aire se expulsa a través de las aberturas colocadas por encima de la puerta del horno. Sigue funcionando hasta que los componentes se han enfriado lo suficiente. El ventilador de enfriamiento va más rápido en el modo de autolimpieza y cada vez que los componentes internos aumentan su temperatura.

### Precalentamiento rápido

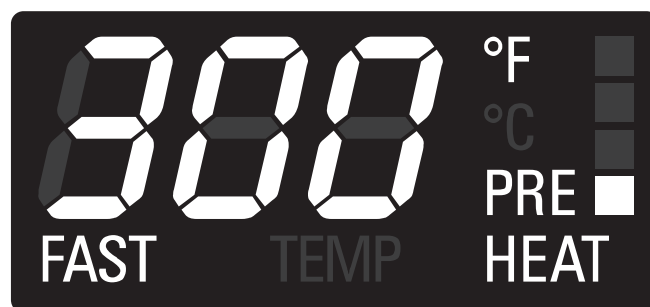
Cuando se establezca un modo de cocción y el horno esté en proceso de calentamiento, aparecerá la indicación "PREHEAT" en la pantalla de temperatura: la barra vertical indicará en cuatro pasos cuando el horno alcance el 25%, el 50%, el 75% y el 100% de la el valor de temperatura establecido.

Una vez alcanzado el 100%, el control emitirá un tono de "fin de precalentamiento" y desaparecerá la indicación "PREHEAT".

Si es necesario calentar el horno rápidamente, hay disponible un modo de precalentamiento rápido:

utiliza los elementos de calentamiento y el ventilador de convección de un modo especial para reducir el tiempo de calentamiento todo lo posible.

Después de definir una de las funciones de cocción para las que está disponible el precalentamiento rápido, toque la tecla **P-HEAT** y se mostrarán las indicaciones "FAST" y "PREHEAT".



Una vez alcanzada el valor de temperatura establecido, el control emitirá un tono de "fin de precalentamiento" y desaparecerán las indicaciones "FAST" y "PREHEAT". El horno cambiará automáticamente al modo de cocción deseado previamente establecido: coloque ahora los alimentos en el interior.



### ADVERTENCIA

Mantener el área del electrodoméstico limpia y libre de materiales combustibles, gasolina y otros vapores y líquidos inflamables.

**Precalentar el horno**

- Precaliente el horno cuando utiliza los modos de Horneado, Horneado de convección y Grill de convección.
- Utilice el modo de precalentamiento rápido cuando no disponga de mucho tiempo para precalentar el horno.
- Seleccionar una temperatura más alta no acorta el tiempo de precalentado.
- Se necesita precalentar para obtener buenos resultados al hornear pasteles, galletas, pasteleitos y panes.
- El precalentado ayudará a dorar los asados y a que la carne conserve sus jugos.
- Coloque las rejillas del horno en su posición correcta antes de precalentar.
- Durante el precalentado la pantalla muestra la temperatura de cocción seleccionada.
- Un pitido confirmará que el horno se ha precalentado y se desactivará la indicación "PREHEAT".

**Sugerencias para el uso**

- Use las tablas de cocinar como una guía
- No ponga recipientes sobre la puerta abierta del horno
- Utilice la luz interna del horno para mirar los alimentos a través de la ventana del horno en lugar de abrir la puerta frecuentemente.

**Recipientes**

- Los recipientes de vidrio para hornear absorben el calor. Reduzca la temperatura del horno 25 °F (15 °C) cuando hornea con moldes de vidrio.
- Use los recipientes que producen el dorado deseado. El tipo de acabado del recipiente ayuda a determinar la cantidad de dorado que se producirá en el horno.
- Los moldes brillantes, de metal liso o ligeramente antiadherentes/anodizados reflejan el calor y dan como resultado un dorado más ligero y delicado. Los pasteles y galletas requieren este tipo de molde.
- Los recipientes oscuros, ásperos o sin brillo absorben el calor y producen una costra más dorada y crujiente. Use este tipo para pasteles.
- Utilice recipientes de metales oscuros antiadherentes/anodizados o moldes de metal sin brillo o moldes de vidrio de horneado para obtener una costra dorada. Los moldes aislantes de horneado pueden aumentar el tiempo de cocción.
- No hornee con la bandeja de asado vacía dentro del horno ya que esto puede cambiar el rendimiento del horneado. Guarde la bandeja de asado fuera del horno

**Condensación y temperatura del horno**

- Es normal que una cierta cantidad de humedad se evapore de los alimentos durante el proceso de cocción. La cantidad depende del contenido de humedad que contienen los alimentos. La humedad se puede condensar sobre una superficie más fría o en el interior del horno, así como en el panel de control.
- Su nuevo horno lleva un sensor electrónico de temperatura que permite mantener la temperatura deseada con exactitud. Su horno anterior tal vez tenía un termostato mecánico que gradualmente cambiaba a una temperatura más alta. Será normal que usted tenga que ajustar sus recetas favoritas

cuando empiece a cocinar con su nuevo horno.

**Horneado a gran altitud**

- Cuando se hornea a gran altitud, las recetas y el tiempo de cocción varían con respecto a los estándares.

**Conexión de 120/240 contra 120/208 Voltios**

- La mayoría de las instalaciones de hornos tiene un voltaje de 120/240 voltios.
- Si su horno está instalado con un voltaje de 120/208 voltios, el precalentado puede ser ligeramente más largo que con un voltaje de 120/240 voltios.
- El horno está diseñado para garantizar el mismo tiempo limpio a 208V. El rango asignado está configurado para operar usando voltaje de 120/240. Consultar las Instrucciones de Instalación en relación al modo de configurar adecuadamente el horno eléctrico para un rendimiento óptimo en voltaje de 120/208.

**Rejillas del horno**

- El horno tiene guías para las rejillas en seis niveles como se muestran en la figura de la pág. 8.
- Las posiciones de las rejillas están numeradas desde la guía de la rejilla inferior (#1) a la superior (#6).
- Consulte las tablas de cocinar para determinar las mejores posiciones de la rejilla para usar cuando se cocina.
- Cada guía de nivel consiste en un par de soportes formados en las paredes de cada lado del interior del horno.
- Asegúrese siempre de que las rejillas del horno se encuentran en la posición correcta antes de encender el horno. Asegúrese de que las rejillas estén niveladas una vez colocadas en posición.

**Si tiene dudas, como por ejemplo, qué lado es la parte frontal de la rejilla, tome como referencia la figura de la pág. 8.**

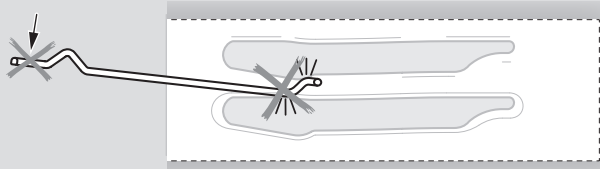
- Las rejillas están diseñadas para pararse cuando se tiran hacia atrás hasta el tope.

**⚠ PRECAUCIÓN!**

Nunca utilice papel de aluminio para tapar las rejillas del horno o para forrar el horno. El calor atrapado por debajo del papel de aluminio puede dañar el revestimiento del horno.

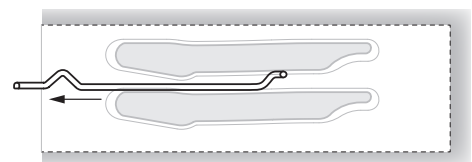
**⚠ PRECAUCIÓN**

**Asegúrese de que no la ha forzado para evitar daños al esmalte.**

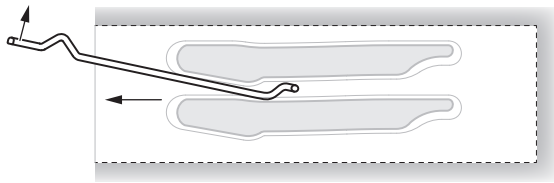


**Para sacar las rejillas del horno:**

1. Agarre la rejilla y empújela hacia atrás

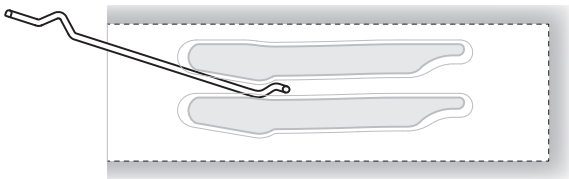


2. Incline la rejilla hacia arriba y sáquela

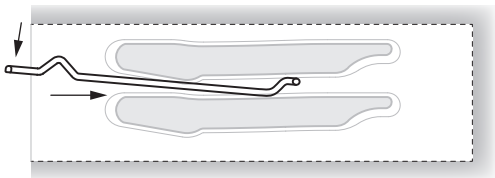


### Para meter una rejilla del horno:

1. Coloque la parte de atrás de la rejilla entre las guías de nivel de rejilla



2. Mientras inclina la parte frontal de la rejilla hacia arriba, deslice la rejilla a lo largo de la vía mientras baja la parte frontal



### La rejilla extensible

- La rejilla extensible facilita el acceso a los alimentos en el horno. Se extiende más allá de la rejilla plana normal acercando los alimentos al usuario.

#### **PRECAUCIÓN**

Cuando la rejilla sale del horno no se bloquean los brazos laterales de deslizamiento. Éstos se podrían extender inesperadamente si se transporta la rejilla de modo incorrecto. Extender los brazos de deslizamiento puede causar lesiones. **Se debe sostener o transportar la rejilla solamente agarrando los lados.**

**NOTE:** Siempre saque la rejilla extensible antes de autolimpiar el horno.

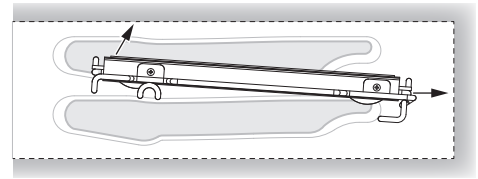
#### **PRECAUCIÓN!**

Para evitar quemaduras, jale la rejilla completamente y levante el molde arriba de la agarradera cuando transporta los alimentos al y del horno.

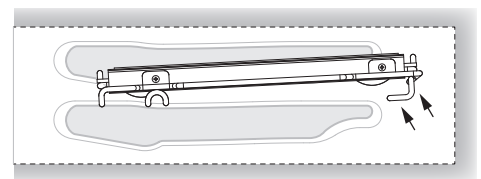
Si tiene dudas, como por ejemplo, qué lado es la parte frontal de la rejilla, tome como referencia la figura de la pág. 8.

### Sacarla del horno:

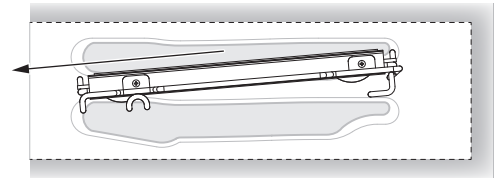
1. Eleve el rack ligeramente empujándolo hacia la parte trasera del horno hasta que se libere el tope.



2. Levante el fondo de la rejilla hasta que el marco y el tope queden libres de la guía

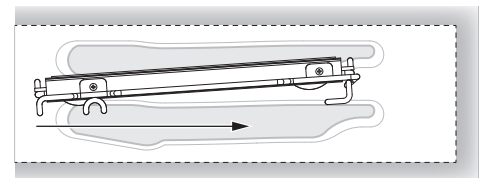


3. Jale la rejilla hacia abajo y sáquela

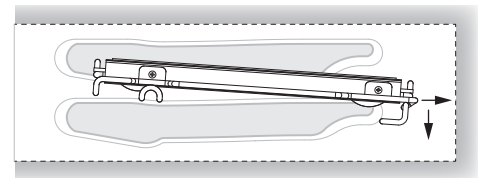


### Colocar la rejilla en el horno:

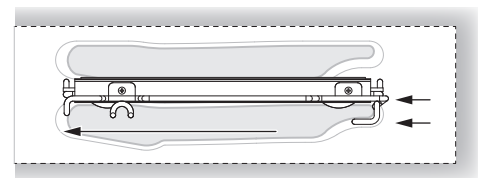
1. Agarre la rejilla firmemente en ambos lados. Coloque la rejilla (incluyendo el marco) arriba de la guía de rejilla deseada



2. Empuje la rejilla completamente hasta que el fondo de la rejilla caiga en su lugar



3. Hale ambas secciones hacia delante hasta que se active el tope. La rejilla debe estar recta no torcida



La hora del día aparece en la pantalla en horas y minutos.

Configure siempre el reloj inmediatamente después de la instalación, el reloj marca las 12:00<sup>AM</sup>. La hora de reloj aparecerá durante todas las operaciones del horno excepto cuando se haya activado el temporizador o se esté realizando cualquier operación de cocción temporizada.

El horno está configurado con un reloj de 12 horas e indica <sup>AM</sup> y <sup>PM</sup>.

### Para configurar la hora

1. Toque **TIME** hasta que la pantalla muestre la indicación "SET TIME".
2. Toque **+** o **-** para configurar la hora deseada, y las horas comenzarán a parpadear: continúe hasta que se hayan seleccionado el valor de horas correcto y la indicación <sup>AM</sup> o <sup>PM</sup>.
3. Vuelva a tocar **TIME** para confirmar la hora, y los minutos comenzarán a parpadear.
4. Toque **+** o **-** para establecer el valor de minutos deseado o mantenga pulsada la tecla para cambiar en intervalos de 10 minutos.
5. Vuelva a tocar **TIME** o espere 5 segundos para confirmar la hora.



**NOTA:** No es posible configurar la hora si ya se ha seleccionado alguna función de hora: en primer lugar, elimine todas las funciones de temporización activas.

### Para configurar el temporizador (timer)

1. Toque **TIME** hasta que la pantalla muestre la indicación "TIMER".
2. Toque **+** o **-** para establecer el valor de temporizador deseado, y las horas comenzarán a parpadear: continúe hasta que se configure el valor deseado.
3. Vuelva a tocar **TIME** para confirmar la hora, y los minutos comenzarán a parpadear.
4. Toque **+** o **-** para establecer el valor de minutos deseado o mantenga pulsada la tecla para cambiar en intervalos de 10 minutos.
5. Vuelva a tocar **TIME** o espere 5 segundos para confirmar la hora.
6. "TIMER" se mostrará de forma continua.
7. Cuando finalice el tiempo, se emitirán unos pitidos a modo de recordatorio durante 15 minutos o hasta que se pulse la tecla **TIME**.
8. El formato del temporizador es normalmente HH:MM y cambia a MM:SS durante el último minuto.
9. El valor mostrado siempre se redondea hacia el minuto más bajo.

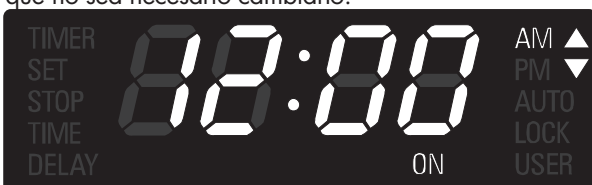


### Para configurar el modo de cocinar y temperatura

- Los siguientes modos se pueden seleccionar girando la perilla de los modos de cocinado en la posición deseada. Para seleccionar la función de limpieza, el selector de temperatura también se debe mover hacia la posición de limpieza adecuada.

Programación de la cocción	
OFF	OFF
	HORNEADO DE CONVECCIÓN (CONV BAKE)
	ASADO DE CONVECCIÓN (CONV BROIL)
	GRILL DE CONVECCIÓN (CONV ROAST)
	PIZZA (MULTI PIZZA)
	HORNEADO (BAKE)
	ASADO (BROIL)
	DESCONGELACIÓN (CONV)
	LEVADURA (WARM)
	CALENTAMIENTO ADICIONAL (WARM PLUS)
	DESHIDRATADO (CONV DEHY)
	LIMPIEZA (CLEAN)




- Seleccione la temperatura deseada moviendo el selector o soltándolo en la posición de PRESET si el valor propuesto es bueno. La temperatura puede cambiarse con incrementos de 5°F o 5°C.
- La cavidad comenzará a calentarse, se mostrará la indicación "ON" cuando el horno seleccionado esté activo y se encenderá la luz del horno.
- La luz de precalentamiento se encenderá. Cuando el horno se haya precalentado, sonará un pitido y la luz roja se apagará.
- Para cambiar la temperatura mientras se está cocinando, basta girar la perilla de la temperatura hasta que la pantalla muestre el valor deseado.
- Mueva el selector del modo de cocción en OFF si pretende parar de cocinar.
- Pulse **SMALL/LARGE** para seleccionar el horno y controle la temperatura referida o el valor del tiempo, en el caso de que no sea necesario cambiarlo.



- Los triángulos de la esquina superior derecha de la pantalla se activarán cuando una cavidad esté en funcionamiento, incluso si no se ha seleccionado en pantalla.

### Uso de la tecla **MENU** para seleccionar las funciones de temperatura baja

Si mueve el selector de modo de cocción a la posición de temperatura baja, se mostrará una de las siguientes funciones:

Programación de la cocción	
	DESCONGELACIÓN (CONV)
	LEVADURA (WARM)
	CALENTAMIENTO ADICIONAL (WARM PLUS)
	DESHIDRATADO (CONV DEHY)

- Toque la tecla **MENU** para cambiar entre estos cuatro modos.
- El último modo utilizado se guardará en memoria para la siguiente selección.

### Uso de las lámparas del horno

- Si el botón **LIGHT** (LÁMPARA) se acciona cuando ambos hornos están apagados, las lámparas de los hornos superior e inferior se encenderán. Si se acciona el botón **LIGHT** de nuevo, ambas luces se encenderán.
  - Un único botón de luces activa las luces.
  - Las lámparas de horno se encienden o apagan automáticamente cuando las puertas están abiertas y cerradas.
  - Cuando un horno está en función, las lámparas del horno se encienden automáticamente cuando inicia el modo. Las lámparas del horno se apagan automáticamente cuando el modo del horno se anula.
- NOTA: Solo para las funciones de baja temperatura, la luz se apaga automáticamente después de 3 minutos. Presione el botón **LIGHT** para activar la luz.
- Las lámparas no funcionan en el modo de autolimpieza

### Para controlar manualmente las luces del interior del horno en ambos hornos superior e inferior si uno o ambos hornos se están utilizando:

- Pulse **SMALL/LARGE**, la pantalla indicará qué horno se ha seleccionado.
- Pulse **SMALL/LARGE** para resaltar el otro horno.
- Toque **LIGHT** para encender o apagar las luces de la cavidad deseada.

- En los modelos de horno dobles, se pueden configurar ambos hornos independientemente para funcionar en el modo cronometrado.
- Asegúrese de que el reloj de la hora del día aparezca en la pantalla con el tiempo correcto.
- El modo cronometrado apaga el horno al final del tiempo de cocción.

### Para configurar el modo cronometrado

1. Seleccione el horno mediante la tecla **SMALL/LARGE** si es necesario.
2. Seleccione el modo de cocción y la temperatura mediante los selectores. La indicación "ON" aparecerá en pantalla.
3. Pulse la tecla **TIME** hasta que la indicación "TIME" aparezca en pantalla.
4. Pulse **+** o **-** y los dígitos de hora comenzarán a parpadear. Continúe con la configuración de la hora de cocción deseada. Tenga en cuenta que el tiempo necesario para que el horno alcance la temperatura se debe incluir en el tiempo de cocción establecido.
5. Vuelva a tocar **TIME**; se confirmarán las horas y comenzarán a parpadear los dígitos de minutos.
6. Toque **+** o **-** para cambiar los minutos. Mantenga pulsada la tecla para cambiar en intervalos de 10 minutos. Continúe con la configuración de la hora de cocción deseada.
7. Vuelva a tocar **TIME** o espere unos segundos para confirmar el valor del tiempo de cocción.



### Para retardar el inicio de un modo temporizado

Siga los pasos 1 a 6

- Toque la tecla **TIME** hasta que la indicación "STOP TIME" aparezca en pantalla.
- El control calculará y mostrará automáticamente el valor inicial y añadirá el tiempo de cocción previamente establecido a la hora del día.



- Toque **+** o **-**, y los dígitos de hora comenzarán a parpadear. Continúe con la configuración de la hora de apagado deseada.
- Vuelva a tocar **TIME**; se confirmarán las horas y comenzarán a parpadear los dígitos de minutos.

- Toque **+** o **-** para cambiar los minutos. Mantenga pulsada la tecla para cambiar en intervalos de 10 minutos. Continúe con la configuración de la hora de apagado deseada.
- Toque **TIME** una vez más o espere algunos segundos para configurar el valor de la hora de detención.
- Con esta función se establece la hora a la cual desea que se complete la cocción. La electrónica utilizará la duración del tiempo de cocción programado en la instrucción anterior para calcular automáticamente cuándo encender el horno. Se visualiza el texto "DELAY" hasta alcanzar la hora de inicio.



### Con un modo temporizado activo

- Una vez que el horno realmente inicie la cocción, la pantalla mostrará el tiempo de cocción y contará los minutos restantes en intervalos de un minuto. El horno estará en proceso de cocción durante el tiempo programado.
- Al terminar el tiempo, el horno se apagará automáticamente y, a continuación, comenzarán a parpadear las indicaciones "ON" y "TIME" y se emitirá una serie de pitidos que indicarán el "fin de actividad". Los pitidos a modo de recordatorio se emitirán durante quince minutos para atraer la atención del usuario hasta que se toque alguna tecla.

### Cómo comprobar un valor de tiempo

- Cuando sea necesario comprobar un valor de tiempo que no esté en pantalla, toque la tecla **TIME** hasta que se muestre la indicación adecuada para ver el valor deseado durante 5 segundos.
- Ejemplo: Si se muestra el valor de temporizador y no desea comprobar el tiempo de cocción, toque la tecla **TIME** hasta que se muestre "TIME" para ver el tiempo de cocción durante 5 segundos.



Este horno se suministra con la función opcional de la sonda para carne que detecta la temperatura del interior de la carne y detiene la cocción cuando se alcanza el valor establecido. En los hornos dobles está disponible sólo para la cavidad superior. Se pueden seleccionar los siguientes modos para que funcione n con la sonda para carne:

**HORNEADO DE CONVECCIÓN (CONV BAKE)  
GRILL DE CONVECCIÓN (CONV ROAST)  
HORNEADO (BAKE)**

No es posible iniciar otros modos si se ha introducido la sonda.

Una vez que introduzca la sonda en su receptáculo y ésta sea detectada por el control, gire el selector de modo de cocción hacia una posición correcta y aparecerá la indicación PROBE en la pantalla de modo de cocción con la función seleccionada.



La temperatura estándar de la sonda para carne (170°F) parpadeará en el módulo del reloj durante 5 segundos. Si utiliza las teclas **+** / **-**, podrá cambiar la configuración de la sonda. El valor establecido de temperatura estándar de la sonda es de 170°F. El intervalo permitido está entre 130°F y 210°F.

La temperatura máxima de la cavidad durante la cocción con la sonda para carne es de 475°F. La resolución debe ser de 5°F o 2,5°C para la temperatura establecida y la temperatura real.

Transcurridos 5 segundos, el valor de la pantalla será aceptado y el control iniciará la cocción. La temperatura real de la sonda se mostrará en este momento.



Toque **+** o **-** una vez para comprobar la temperatura establecida de la sonda. Cuando parpadee, vuelva a tocar o manténgala pulsada para modificar el valor. Una vez alcanzada la temperatura establecida de la sonda, el control emitirá un tono de fin de cocción y apagará el horno.

Sitúe siempre el modo de cocción en posición de apagado antes de volver a utilizar el horno.

La indicación PROBE parpadeará cuando el modo no sea válido para la cocción con sonda. Si se retira la sonda durante la cocción o en caso de cortocircuito o circuito abierto, se mostrará un mensaje de error.

Las funciones de tiempo automático se desactivarán al utilizar la sonda para carne y únicamente funcionará el temporizador.

Hornear es cocinar con aire caliente. Tanto el elemento superior como el inferior del horno se encienden para calentar el aire pero no se utiliza el ventilador para hacer circular el horneado.

Siga la receta o las orientaciones de los alimentos convenientes para la temperatura de horneado, el tiempo y la posición de las rejillas. El tiempo de horneado cambiará con la temperatura de los ingredientes y con las dimensiones, la forma y el acabado del molde de horneado.

**Directrices generales**

- Para obtener los mejores resultados hornee los alimentos en una única rejilla con al menos 1" - 1½" (2,5 - 3 cm) espacio entre los moldes y las paredes del horno.
- Use una rejilla cuando selecciona el modo de horneado.
- Controle para que estén cocidos en el menor tiempo.
- Use moldes del metal (con o sin acabado antiadherente), vidrio refractario, vitrocerámica, cerámica u otros utensilios adecuados para el horno.
- Cuando use vidrio refractario, reduzca la temperatura 25 °F (15 °C) con respecto a la temperatura recomendada.
- Use bandejas de horneado con o sin lados o moldes de charlotas.
- Las cazuelas de metal oscuro o con recubrimiento antiadherente cuecen más rápidamente y se doran más. Los moldes aislantes alargarán ligeramente el tiempo de cocción para la mayoría de los alimentos.

desechables para cubrir cualquier parte del horno. Las hojas son un excelente aislante de calor y el calor quedará atrapado por debajo. Esto alterará el rendimiento de la cocción y podrá dañar el acabado del horno.

- Evite el uso de las puertas abiertas para apoyar las cazuelas.
- Los consejos para Resolver los problemas de horneado se encuentran en la página 26.

- No utilice hojas de aluminio o bandejas de aluminio

<b>GRÁFICO COCCIÓN - CAVIDAD DE CONVECCIÓN</b>			
<b>ALIMENTO</b>	<b>POSICIÓN DE REJILLA</b>	<b>TEMP. °F (°C)</b> <b>(HORNO PRECALENDADO)</b>	<b>TIMPO (MIN)</b>
<b>PASTEL</b>			
Glaseado	2	350 (175)	19 - 22
Pastel	1	350 (175)	40 - 45
Biscochos	1	350 (175)	35 - 39
<b>PAY</b>			
2 cortezas, fresco 9"	2	375 - 400 (190 - 205)	45 - 50
2 cortezas. fruta congel. 9"	2	375 (190)	68 - 78
<b>GALLETAS</b>			
Azúcar	2	350 - 375 (175 - 190)	8 - 10
Chocolate chip	2	350 - 375 (175 - 190)	8 - 13
Brownies	2	350 (175)	29 - 36
<b>PANES</b>			
Pan de levadura, 9x5	2	375 (190)	18 - 22
Rollos de levadura	2	375 - 400 (190 - 205)	12 - 15
Bollo, Panecillo	2	375 - 400 (190 - 205)	7 - 9
Molletes	2	425 (220)	15 - 19
<b>PIZZA</b>			
Congelada	2	400 - 450 (205 - 235)	23 - 26
Fresca	2	475 (246)	15 - 18



Reduzca las temperaturas del horneado de las recetas 25°F (15°C).

- Para obtener mejores resultados, se recomienda poner los alimentos en bandejas planas, no tapadas para aprovechar la circulación del aire forzado. Utilice moldes de aluminio brillante para obtener los mejores resultados si no se especifica nada más.
- Se puede utilizar vidrio refractario o cerámica. Reduzca la temperatura otros 25°F (15°C) cuando utiliza platos de vidrio refractario, con una reducción total de 50°F (30°C).
- Se pueden usar moldes de metales oscuros. Tenga presente que los alimentos se dorarán más rápidamente si usa recipientes de metal oscuro.
- El número de rejillas utilizadas lo determina la altura del alimento que tienen que cocinar.
- Cocinar con múltiples rejillas para comidas realizadas al horno se debe a la posición de las rejillas 1, 2, 3, 4 y 5. Se pueden utilizar todas las rejillas, para las galletas, bollos y galletitas saladas.
  - Con 2 rejillas de horneado. Use las posiciones 1 y 3.
  - Con 3 rejillas de horneado. Use las posiciones 2, 3 y 4 o 1, 3 and 5.
  - Cuando hornea cuatro capas con pasteles al mismo tiempo, coloque los moldes de tal modo que ningún molde quede directamente encima de otro. Para lograr mejores resultados, coloque los moldes en la parte frontal de rejilla superior y en el fondo de la rejilla inferior (vea la figura a la derecha). Permita 1" - 1 1/2" de espacio libre alrededor de los moldes.
- Convertir su propia receta puede ser fácil. Elija una receta que pueda beneficiarse con la cocción por convección.
- Reduzca la temperatura y el tiempo de cocción si fuera necesario. Puede ser necesario algún juicio y cometer algún error para obtener un resultado perfecto. Conserve los resultados de su técnica para la próxima vez que quiera preparar la misma receta utilizando el sistema por convección.
- Los consejos para resolver los problemas de horneado se encuentran en la página 26.

### Alimentos recomendados para modo de horneado de convección:

Galletitas saladas y hojaldres

Galletas para el café

Pasteles (de 2 a 4 rejillas) Masa de levadura

Bollos de crema

Popovers

Guisos y entrantes

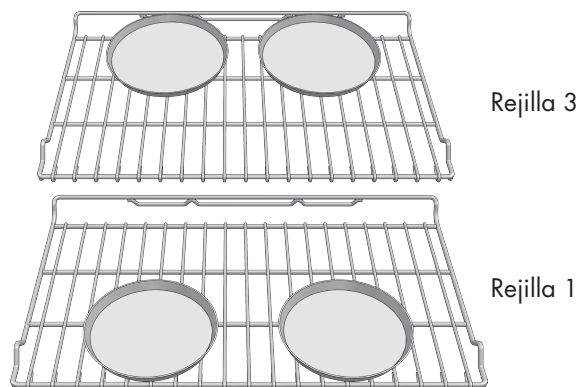
Comidas preparadas al horno (posición de las rejillas 1, 2, 3)

Alimentos que se elevan con aire (Suflés, Merengues, Postres recubiertos con merengues, Bizcocho Angel, Bizcochos)

### POSICIÓN DE LAS REJILLAS



### COLOCACIÓN DE LOS DISTINTOS RECIPIENTES EN LA REJILLA



### Consejos para recetar rápidas y fáciles

Para transformar el HORNEADO estándar en HORNEADO DE CONVECCIÓN:

- Reduzca la temperatura 25 °F.
- Use el mismo tiempo de horneado que para el modo de Horneado si es por debajo de los 10 a 15 minutos.
- Los alimentos con un tiempo de horneado inferior a 30 minutos deberían controlarse para ver si están bien cocidos 5 minutos antes que las recetas de horneado estándar.
- Si los alimentos se hornean durante más de 40 a 45 minutos, el tiempo de horneado se debería reducir un 25%.

## Tabla de horneado de convección

Reduzca la temperatura de la receta estándar de 25 °F(15 °C) para el horneado de Convección.  
La temperaturas se han reducido en esta.

Gráfico de cocción por convección - CAVIDAD DE CONVECCIÓN				
ALIMENTO	POSICIÓN DE REJILLA	TEMP. °F (°C) (HORNO PRECALENDADO)		TIMPO (MIN)
<b>PASTEL</b>				
Glaseado	2	325	(160)	20 - 22
Pastel	1	325	(160)	43 - 50
Bizcochos	1	325	(160)	43 - 47
<b>PAY</b>				
2 cortezas, fresco 9"	2	350 - 400	(175 - 205)	40 - 52
2 cortezas, fruta congel. 9"	2	350	(175)	68 - 78
<b>GALLETAS</b>				
Azúcar	2	325 - 350	(160 - 175)	9 - 12
Chocolate chip	2	325 - 350	(160 - 175)	8 - 13
Brownies	2	325	(160)	29 - 36
<b>PANES</b>				
Pan de levadura, 9x5	2	350	(175)	18 - 22
Rollos de levadura	2	350 - 375	(175 - 190)	12 - 15
Bollo, Panecillo	2	375	(190)	8 - 10
Molletes	2	400	(205)	17 - 21
<b>PIZZA</b>				
Congelada	2	375 - 425	(190 - 220)	23 - 26
Fresca	2	450	(232)	15 - 18

Gráfico de cocción por convección - CAVIDAD DOBLE DE CONVECCIÓN				
ALIMENTO	POSICIÓN DE REJILLA	TEMP. °F (°C) (HORNO PRECALENDADO)		TIMPO (MIN)
<b>PASTEL</b>				
Glaseado	2	325	(160)	16 - 18
Pastel	1	325	(160)	37 - 43
Bizcochos	1	325	(160)	35 - 39
<b>PAY</b>				
2 cortezas, fresco 9"	2	350 - 400	(175 - 205)	35 - 45
2 cortezas, fruta congel. 9"	2	350	(175)	68 - 78
<b>GALLETAS</b>				
Azúcar	2	325 - 350	(160 - 175)	6 - 9
Chocolate chip	2	325 - 350	(160 - 175)	8 - 13
Brownies	2	325	(160)	29 - 36
<b>PANES</b>				
Pan de levadura, 9x5	2	350	(175)	18 - 22
Rollos de levadura	2	350 - 375	(175 - 190)	12 - 15
Bollo, Panecillo	2	375	(190)	6 - 8
Molletes	2	400	(205)	13 - 16
<b>PIZZA</b>				
Congelada	2	375 - 425	(190 - 220)	23 - 26
Fresca	2	450	(232)	15 - 18

Este gráfico es una guía. Siga la receta o las instrucciones del envase y reduzca apropiadamente las temperaturas.

- No precalentar para el asado por convección.
- Cocine con grill en una bandeja baja y sin tapar.
- Cuando se gratinan pollos y pavos enteros, suba las alas hacia atrás y ate fuerte las patas con cuerda de cocina.
- Use el recipiente para asar a la parrilla de 2 piezas para gratinar descubierto.
- Use una sonda o un termómetro de carne para determinar la cocción del interior cuando en la temperatura "END" (véase la tabla de cocción).
- Controle dos veces el interior de la temperatura de la carne/de la ave introduciendo un termómetro de carne en otra posición.
- También podría ser necesario cubrir las grandes aves con papel de aluminio (y la fuente de asar) durante una porción del tiempo de asado para evitar que se dore excesivamente.

### Consejos para recetas rápidas y fáciles

Convierta el **HORNEADO** estándar en **GRILL DE CONVECCIÓN**:

- No hay que reducir la temperatura.
- Los asados, los grandes cortes de carne y las aves en general utilizan un 10-20% menos de tiempo de cocción. Controle si los alimentos están cocidos antes.
- Los guisos y los asados a la cazuela se hornean cubiertos en el modo de GRILL DE CONVECCIÓN y cuecen aproximadamente en el mismo tiempo.

- La temperatura de seguridad mínima para el relleno de las aves es de 165 °F (75 °C).
- Después de extraer el artículo del horno, cubrir sin demasiada fuerza con papel de aluminio durante 10 o 15 minutos antes de cortar en el caso de que fuera necesario aumentar la temperatura final de los alimentos de 5° a 10 °F (3° to 6 °C).

### Gráfico de horneado por convección - CAVIDAD DE CONVECCIÓN

CARNES	PESO (lb)	TEMP. HOR- NO °F (°C)	POSI- CIÓN DE REJILLA	TIEMPO (min. per lb)	TEMPERATURA INTERNA °F (°C)
<b>RES</b>					
<b>Costillas</b>	4 - 6	325 (160)	2	16 - 20 18 - 22	145 (63) medio simpl. cocidas 160 (71) medio
<b>Rib Eye (sin heuso)</b>	4 - 6	325 (160)	2	16 - 20 18 - 22	145 (63) medio simpl. cocidas 160 (71) medio
<b>Churrasco, Eye Tip, Sirlion (sin heuso)</b>	3 - 6 2 - 3	325 (160) 400 (205)	2	16 - 20 18 - 22 15 - 20	145 (63) medio simpl. cocidas 160 (71) medio 145 (63) medio simpl. cocidas
<b>TENDERLOIN TOSTADO</b>					
<b>Puerco</b>	5 - 8	350 (175)	2	16 - 20	160 (71) medio
<b>Lomo (con o sin hueso)</b>	3 - 6	350 (175)	2	20 - 25	160 (71) medio
<b>HOMBRO</b>					
<b>Aves</b>	3 - 4	375 (190)	2	18 - 21	180 (82)
<b>Pollo Entero</b>	12 - 15	325 (160)	1	10 - 14	180 (82)
<b>Pavo sin ralleno</b>	16 - 20	325 (160)	1	9 - 11	180 (82)
<b>Pavo sin ralleno</b>	21 - 25	325 (160)	1	6 - 10	180 (82)
<b>Pavo sin ralleno</b>	3 - 8	325 (160)	1	15 - 20	170 (77)
<b>Pechuga Pavo</b>	1 - 1½	350 (175)	2	45 - 75 total	180 (82)
<b>CODORNIZ</b>					
<b>Cordero</b>	3 - 4	325 (160)	2	22 - 27	160 (71) medio
<b>Media Pierna</b>	6 - 8	325 (160)	1	28 - 33 22 - 27	170 (77) así 160 (71) medio
<b>Pierna Entera</b>				28 - 33	170 (77) así

**Gráfico de horneado por convección - CAVIDAD DOBLE DE CONVECCIÓN**

<b>CARNES</b>	<b>PESO (lb)</b>	<b>TEMP. HORNO °F (°C)</b>	<b>POSICIÓN DE REJILLA</b>	<b>TIMPO (min. per lb)</b>	<b>TEMPERATURA INTERNA °F (°C)</b>
<b>RES</b>					
<b>Costillas</b>	4 - 6	325 (160)	2	18 - 22 20 - 25	145 (63) medio simpl. cocidas 160 (71) medio
<b>Rib Eye (sin heuso)</b>	4 - 6	325 (160)	2	18 - 22 20 - 25	145 (63) medio simpl. cocidas 160 (71) medio
<b>Churrasco, Eye Tip, Sirlion (sin heuso)</b>	3 - 6	325 (160)	2	18 - 22 20 - 25	145 (63) medio simpl. cocidas 160 (71) medio
<b>Tenderloin Tostado</b>	2 - 3	425 (220)	2	15 - 20	145 (63) medio simpl. cocidas
<b>PUERCO</b>					
<b>Loin Roast (boneless or bone-in)</b>	5 - 8	350 (175)	2	18 - 22	160 (71) medio
<b>Shoulder</b>	3 - 6	350 (175)	2	20 - 25	160 (71) medio
<b>POULTRY</b>					
<b>Pollo Entero</b>	3 - 4	375 (190)	2	20 - 23	180 (82)
<b>Pavo sin ralleno</b>	12 - 15	325 (160)	1	10 - 14	180 (82)
<b>Pavo sin ralleno</b>	16 - 20	325 (160)	1	9 - 11	180 (82)
<b>Pavo sin ralleno</b>	21 - 25	325 (160)	1	6 - 10	180 (82)
<b>Pechuga Pavo</b>	3 - 8	325 (160)	1	15 - 20	170 (77)
<b>Codorniz</b>	1 - 1½	350 (175)	2	45 - 75 total	180 (82)
<b>CORDERO</b>					
<b>Media Pierna</b>	3 - 4	325 (160)	2	20 - 27 25 - 32	160 (71) medio 170 (77) así
<b>Pierna Entera</b>	6 - 8	325 (160)	1	20 - 27 25 - 32	160 (71) medio 170 (77) así

Los tiempos de cocción son indicativos y dependen también del grosor de la carne y de la temperatura inicial antes de cocinarse

- Coloque la rejilla en la posición requerida antes de encender el horno.
- Use el modo de Asado de Convección con la puerta del horno cerrada.
- No precaliente el horno.
- Use un recipiente de 2 piezas.
- Voltee la carne una vez a mitad del tiempo recomendado para cocinar (vea la tabla de asado de convección)

<b>Gráfico de asado por convección - CAVIDAD DE CONVECCIÓN</b>						
ALIMENTO Y GROSOR	POSICIÓN DE REJILLA	POSICIÓN DE ASADO °F (°C)		TEMPERATURA INTERNA °F (°C)	TIEMPO LADO 1 (MIN.)*	TIEMPO LADO 2 (MIN.)*
<b>CARNE DE RES FILETE (1-½" O MÁS)</b>						
Vuelta y Vuelta	4	450	(235)	145 (65)	9 - 12	8 - 10
Medio	4	450	(235)	160 (71)	11 - 13	10 - 12
Bien Cocido	4	450	(235)	170 (77)	18 - 20	16 - 17
<b>HAMBURGUESAS (MÁS DE 1")</b>						
Medio	4	550	(290)	160 (71)	8 - 11	5 - 7
Bien Cocido	4	550	(290)	170 (77)	11 - 13	8 - 10
<b>Aves</b>						
Cuarto de Pollo	4	450	(235)	180 (82)	16 - 18	10 - 13
Pollo en dos mitades	3	450	(235)	180 (82)	25 - 27	15 - 18
Pechuga de Pollo	4	450	(235)	170 (77)	13 - 15	9 - 13
<b>PUERCO</b>						
Chuletas (1¼" o más)	4	450	(235)	160 (71)	12 - 14	11 - 13
Salchicha - fresca	4	450	(235)	160 (71)	4 - 6	3 - 5

\* Los tiempos del Asado y Asado de Convección son aproximados y pueden variar ligeramente.

Los tiempos de cocción son indicativos y dependen también del grosor de la carne y de la temperatura inicial antes de cocinarse.

<b>Gráfico de asado por convección - CAVIDAD DOBLE DE CONVECCIÓN</b>						
ALIMENTO Y GROSOR	POSICIÓN DE REJILLA	POSICIÓN DE ASADO °F (°C)		TEMPERATURA INTERNA °F (°C)	TIEMPO LADO 1 (MIN.)*	TIEMPO LADO 2 (MIN.)*
<b>CARNE DE RES FILETE (1-½" O MÁS)</b>						
Vuelta y Vuelta	4	450	(235)	145 (65)	11 - 13	10 - 12
Medio	4	450	(235)	160 (71)	15 - 17	13 - 15
Bien Cocido	4	450	(235)	170 (77)	16 - 18	13 - 15
<b>HAMBURGUESAS (MÁS DE 1")</b>						
Medio	4	550	(290)	160 (71)	9 - 11	5 - 8
Bien Cocido	4	550	(290)	170 (77)	11 - 13	8 - 10
<b>Aves</b>						
Cuarto de Pollo	4	450	(235)	180 (82)	18 - 20	13 - 15
Pollo en dos mitades	3	450	(235)	180 (82)	25 - 27	15 - 18
Pechuga de Pollo	4	450	(235)	170 (77)	14 - 16	10 - 14
<b>PUERCO</b>						
Chuletas (1¼" o más)	4	450	(235)	160 (71)	13 - 15	12 - 14
Salchicha - fresca	4	450	(235)	160 (71)	4 - 6	3 - 5

\* Los tiempos del Asado y Asado de Convección son aproximados y pueden variar ligeramente.

Los tiempos de cocción son indicativos y dependen también del grosor de la carne y de la temperatura inicial antes de cocinarse.

- La deshidratación se puede realizar usando una temperatura más baja y el aire caliente circulante remueve la humedad para la conservación de los alimentos.
- Seleccione el horneado de convección como modo de calefacción cuando se esté deshidratando
- Las temperaturas de deshidratación recomendadas son 120°F (50°C) hasta 160°F (70°C).
- Se pueden usar estantes múltiples simultáneamente.
- Algunos alimentos requieren tanto como 14-15 horas de tiempo para deshidratarse completamente.
- Consulte un libro de preservación de alimentos para los tiempos específicos y el manejo de distintos alimentos.
- Este método es adecuado para una variedad de frutas, vegetales, hierbas y tiras de carne.
- Las pantallas de secado se pueden adquirir en tiendas especiales de cocina.
- Usando toallas de papel, se puede absorber la humedad de algunos alimentos antes de que comience la deshidratación (como tomates o melocotones en rodajas).

**Tabla de deshidratado**

ALIMENTO	PREPARACIÓN	TIEMPO * DE SECADO (hrs) APROXIMADO	PRUEBA DEL TERMINADO
<b>FRUTA</b>			
<b>Manzana</b>	Sumergido en ¼ vaso con jugo de limon y 2 vasos de agua, rebanadas ¼"	11 - 15	Ligeramente flexible
<b>Platano</b>	Sumergido en ¼ vaso con jugo de limon y 2 vasos de agua, rebanadas ¼"	11 - 15	Ligeramente flexible
<b>Cereza</b>	Lavar y secar con toalla. Para cerezas frescas, quitar huesos	10 - 15	Flexible, duro, masticable
<b>Cáscara y trozos de naranja</b>	Trozos de naranja ¼"; la parte de la cáscara está ligeramente pelada de la naranja	Cáscaras: 2 - 4	Cáscara de naranja: seco y quebradizo
		Rebanadas: 12 - 16	Gajos de naranja: la cáscara está seca y quebradiza, la fruta ligeramente húmeda
<b>Anillos de piña</b>	Secado con toalla	Enlatado: 9 - 13 Fresco: 8 - 12	Suave y flexible
<b>Fresa</b>	Lavar y secar c/toalla. Rebanadas de ½", la piel (exterior) está sobre la rejilla	12 - 17	Seco, quebradizo
<b>VEGETABLE</b>			
<b>Peppers</b>	Lavar y secar c/toalla. Quitar la membrana del chile, cortada en rebanadas grandes de aprox. 1"	16 - 20	Duro sin tener humedad en el interior
<b>Mushrooms</b>	Lavar y secar c/toalla. Cortar el tallo, cortar en rebanadas de 1/8"	7 - 12	Duro y seco
<b>Tomatoes</b>	Lavar y secar c/toalla. Cortar el tallo, cortar en rebanadas de 1/8"	16 - 23	Seco, color de ladrillo rojo
<b>HERBS</b>			
<b>Oregano, sage parsley and thyme, and fennel</b>	Enjuagar y secar con toalla de papel	Secar a 120°F (60°C) 3 - 5	Crujiente y frágil
<b>Basil</b>	Usar las hojas de albahaca de 3 a 4 pulgadas desde la punta. Rociar con agua sacudirlo y secarlo a golpecitos	Secar a 120°F (60°C) 3 - 5	Crujiente y frágil

- Coloque la rejilla en la posición requerida antes de encender el horno.
- Use el modo de Asado con la puerta del horno cerrada.
- Precalentar el horno durante 5 minutos antes de usarlo.
- Use un recipiente de 2 piezas.
- Se puede untar las carnes con un pincel mojado en aceite o mantequilla para evitar que se pegue.
- Voltee la carne una vez a mitad del tiempo recomendado para cocinar (vea la tabla de asado)

<b>Tabla de asado</b>					
<b>ALIMENTO Y GROSOR</b>	<b>POSICIÓN DE REJILLA</b>	<b>POSICIÓN DE ASADO</b>	<b>TEMPERATURA INTERNA °F (°C)</b>	<b>TIEMPO LADO 1 (MIN.)*</b>	<b>TIEMPO LADO 2 (MIN.)*</b>
<b>CARNE DE RES</b>					
<b>Filete (1-½" o más)</b>					
<b>Vuelta y Vuelta</b>	5	5	145 (63)	5 - 7	4 - 4
<b>Medio</b>	5	5	160 (71)	6 - 8	5 - 7
<b>Bien Cocido</b>	5	5	170 (77)	8 - 10	7 - 9
<b>HAMBURGUESAS (MÁS DE 1")</b>					
<b>Medio</b>	4	5	160 (71)	8 - 11	6 - 9
<b>Bien Cocido</b>	4	5	170 (77)	10 - 3	8 - 10
<b>Aves</b>					
<b>Pechuga (con hueso)</b>	4	4	170 (77)	0 - 2	8 - 10
<b>Muslo</b>	4	3	180 (82)	28 - 30	13 - 15
<b>PUERCO</b>					
<b>Chuletas (1")</b>	5	5	160 (71)	7 - 9	5 - 7
<b>Salchicha - fresca</b>	5	5	160 (71)	5 - 7	3 - 5
<b>Rebanada de Jamon (½")</b>	5	5	160 (71)	4 - 6	3 - 5
<b>MARISCOS</b>					
<b>Filetes de Pescado, 1"</b>					
<b>Con manequilla</b>	4	4	Cocine hasta opaco y desmenuce fácilmente con un tenedor	10 - 14	No gire
<b>CORDERO</b>					
<b>Chuletas (1")</b>					
<b>Vuelta y Vuelta</b>	5	5	145 (63)	5 - 7	4 - 6
<b>Medio</b>	5	5	160 (71)	6 - 8	4 - 6
<b>Bien Cocido</b>	5	5	170 (77)	7 - 9	5 - 7
<b>BREAD</b>					
<b>Pan, rebanadas de 1"</b>	4	5		2 - 2.30	
<b>Pan de ajo, rebanadas de 1"</b>	3	5		4 - 4	

\* Los tiempos del Asado y Asado de Conveccion son aproximados y pueden variar ligeramente. Los tiempos de cocción son indicativos y dependen también del grosor de la carne y de la temperatura inicial antes de cocinarse.

<b>Pautas e seguir para la temperatura de alimentos de FSIS (Servicio de Inspección y Seguridad de Alimentos USDA)</b>			
<b>140°F (60°C)</b>	Jamón, precocido (para recalentar)	<b>165°F (74°C)</b>	Relleno (cocido solo o en el ave)
<b>145°F (63°C)</b>	Carne fresca de res, tenera, cordero (vuelta y vuelta)	<b>170°F (77°C)</b>	Sobras y guisados
<b>160°F (71°C)</b>	Carne molida y mezcaldas de carne (res, puerco, tenera, cordero)	<b>180°F (82°C)</b>	Carne fresca de res, tenera, cordero (bien cocida)
	Carne fresca de res, tenera, cordero (medio)		Pechuga de pollo (aves)
	Carne fresca de puerco (media)	Carne fresca de puerco (bien cocida)	
	Jamón fresco (crudo)	Pollo y jamón (entero)	
	Platillos con huevos		Carne de aves (muslos y alas)
<b>165°F (74°C)</b>	Carne molida y mezcaldas de carne (pavo, pollo)		Pato y ganso

Tanto con el Horneado como con el Horneado de convección, los resultados escasos pueden ocurrir por muchas razones además de por un mal funcionamiento del horno. Controle la tabla para las causas de los problemas más comunes. Debido a que el tamaño, la forma y el material de los utensilios de hornear tienen un efecto directo sobre los resultados del

horneado, la mejor solución podría ser reemplazar los viejos utensilios de hornear que se han oscurecido y deformado con el tiempo y el uso. Revise también la tabla de Horneado de las páginas de la 18 a la 25, la posición de la rejilla y el tiempo de hornear.

<b>PROBLEMA DE HORNEADO</b>	<b>CAUSA</b>
<b>Los alimentos se doran poco uniformes</b>	<ul style="list-style-type: none"> <li>- El horno no está precalentado</li> <li>- Papel de aluminio en la rejilla o fondo del horno</li> <li>- Utensilios de hornear son demasiado grandes</li> <li>- Los moldes tienen contacto o tocan la pared</li> </ul>
<b>Los alimentos quedan muy</b>	<ul style="list-style-type: none"> <li>- El horno no está precalentado</li> <li>- Se usa un molde de vidrio, mate o de metal oscuro</li> <li>- Posición incorrecta de la rejilla</li> <li>- Los moldes tienen contacto o tocan la pared</li> </ul>
<b>Los alimentos quedan muy secos o muy encogidos</b>	<ul style="list-style-type: none"> <li>- Temperatura del horno muy alta</li> <li>- Tiempo de hornear muy largo</li> <li>- Se abrió la puerta del horno frecuentemente</li> <li>- El molde es demasiado grande</li> </ul>
<b>Los alimentos se hornean o asan muy lentamente</b>	<ul style="list-style-type: none"> <li>- Temperatura del horno muy baja</li> <li>- El horno no está precalentado</li> <li>- Se abrió la puerta del horno frecuentemente</li> <li>- Muy sellado con papel de aluminio</li> <li>- El molde es demasiado pequeño</li> </ul>
<b>Las costras de pays no se doran en el fondo o quedan muy empapadas.</b>	<ul style="list-style-type: none"> <li>- Tiempo de hornear insuficiente</li> <li>- Se usan moldes de acero brillosos</li> <li>- Posición incorrecta de la rejilla</li> <li>- Temperatura del horno muy baja</li> </ul>
<b>Los pasteles no se doran y quedan planos, tal vez sin terminar por adentro</b>	<ul style="list-style-type: none"> <li>- Temperatura del horno muy baja</li> <li>- Tiempo de hornear incorrecto</li> <li>- Se probó el pastel antes de tiempo</li> <li>- Se abrió la puerta del horno frecuentemente</li> <li>- El molde es demasiado grande</li> </ul>
<b>Los pasteles quedan elevados en el centro con grietas en la parte superior</b>	<ul style="list-style-type: none"> <li>- Temperatura del horno muy alta</li> <li>- Tiempo de hornear muy largo</li> <li>- Los moldes tienen contacto o tocan la pared</li> <li>- Posición incorrecta de la rejilla</li> <li>- El molde es demasiado pequeño</li> </ul>
<b>Los bordes de la costra de pays quedan muy dorados</b>	<ul style="list-style-type: none"> <li>- Temperatura del horno muy alta</li> <li>- Los bordes de la costra son muy delgados</li> </ul>



La función de las Características especiales se puede utilizar para seleccionar las siguientes características especiales del horno:

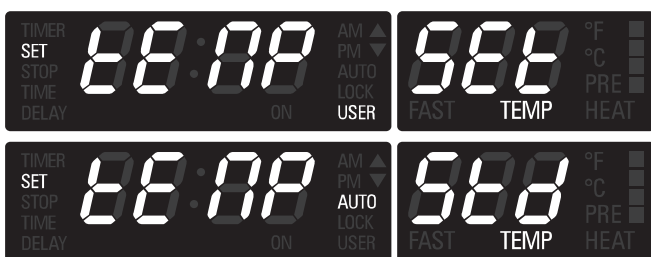
1. **SAB** → **MODO SÁBADO**  
(para creyentes de religiones que no permiten "trabajar" los sábados).
2. **OFS** → **ONFIGURACIÓN DE OFF DEL HORNO**  
(se usa para calibrar la temperatura del horno).
3. **DEG** → **UNIDADES DE GRADOS**  
(se usa para seleccionar Fahrenheit o Celsius en la pantalla).
4. **HR** → **FORMATO DEL RELOJ**  
(se usa para configurar el formato de la hora, que puede ser 12:00 AM/PM o 24:00. El formato predeterminado es el de 12 horas).
5. **SET** → **TEMPERATURA PREESTABLECIDA**  
(es posible guardar la temperatura estándar preestablecida para cada modo de cocción o almacenar en memoria la última temperatura utilizada).

**Para seleccionar las características especiales, siga los pasos abajo indicados:**

- Toque y mantenga pulsadas las teclas **MENU** y **TIME** durante al menos 3 segundos. Desaparecerá la hora de reloj y se mostrará la siguiente pantalla:



- Toque las teclas **+** o **-** para desplazarse por todas las opciones disponibles descritas anteriormente hasta encontrar la opción deseada.
- Toque la tecla **MENU** para editar las opciones seleccionadas.
- Cambie el valor mediante las teclas **+** o **-**.



- En los hornos dobles, es posible establecer una configuración diferente en cada cavidad. Seleccione la cavidad con la tecla **SMALL/LARGE**.
- Toque la tecla **MENU** para confirmar la opción y regresar al menú de selección o mantenga pulsada la tecla durante 3 segundos para salir del menú de opciones de usuario y regresar a la pantalla de reloj original.



## ADVERTENCIA

**Función SET USER:**

Una vez establecida esta opción, el horno memorizará la nueva temperatura preestablecida para cada cocción durante 5 minutos. Si hay más cambios de temperatura, se almacena el último de más de 5 minutos. (excluyendo las funciones Grill y baja temperatura).

**Función AUTO STD:**

Una vez que se ha configurado esta opción, todas las temperaturas preestablecidas son fijas (si se han cambiado en CONFIGURAR USUARIO, de lo contrario permanecen sin cambios) y no se pueden cambiar hasta que regrese a CONFIGURAR USUARIO.

- Acceda al menú de opciones de usuario manteniendo pulsadas las teclas **MENU** y **TIME** durante 3 segundos. Desplácese por la lista de opciones (DEG, OFS, HR, SAB) que muestra el módulo de temperatura en rojo pulsando **+** / **-** hasta que se encuentre el elemento del modo de Sabbath.



- Toque **MENU** para acceder al modo de edición: el elemento seleccionado cambiará a los dígitos en verde de la izquierda y su estado en el campo de dígitos en rojo comenzará a parpadear.
- Vuelva a tocar las teclas **+** / **-** para activar o desactivar el modo de Sabbath (desactivado de forma predeterminada). Toque **MENU** para confirmar y regresar a la lista de opciones. Mantenga pulsada la tecla **MENU** durante 3 segundos para salir del menú de selección y regresar a las operaciones normales.
- Una vez establecido el modo de Sabbath, solamente estarán disponibles las posiciones de horneado y apagado en el selector de modo de cocción. Mueva el selector a la posición de horneado y, a continuación, configure la temperatura al valor deseado en un intervalo de 5 minutos.
- Transcurridos 5 minutos, no se podrá volver a mostrar la temperatura y en la pantalla aparecerá un mensaje indicando que se ha activado el modo de Sabbath.
- En los hornos dobles, aún estarán disponibles las indicaciones de la cavidad superior/inferior. Ambos triángulos estarán activos si las cavidades están en funcionamiento.

- No es posible cambiar el estado de la luz del horno durante el horario de Sabbath.
- La temperatura del horno sólo se puede reducir, pero no se mostrará ninguna información.
- El ventilador de refrigeración debe funcionar en el modo de Sabbath.
- Las luces de precalentamiento se oscurecerán durante el modo de Sabbath.
- El indicador sonoro debe estar siempre en silencio a pesar de cualquier fallo, fin de actividad, etc.
- Nunca se debe utilizar la sonda para carne en el modo de Sabbath.
- El tiempo de cocción máximo permitido debe ser de 72 horas.
- El usuario puede apagar el horno manualmente, incluso durante el modo de Sabbath, moviendo el selector de modo de cocción a la posición de apagado.

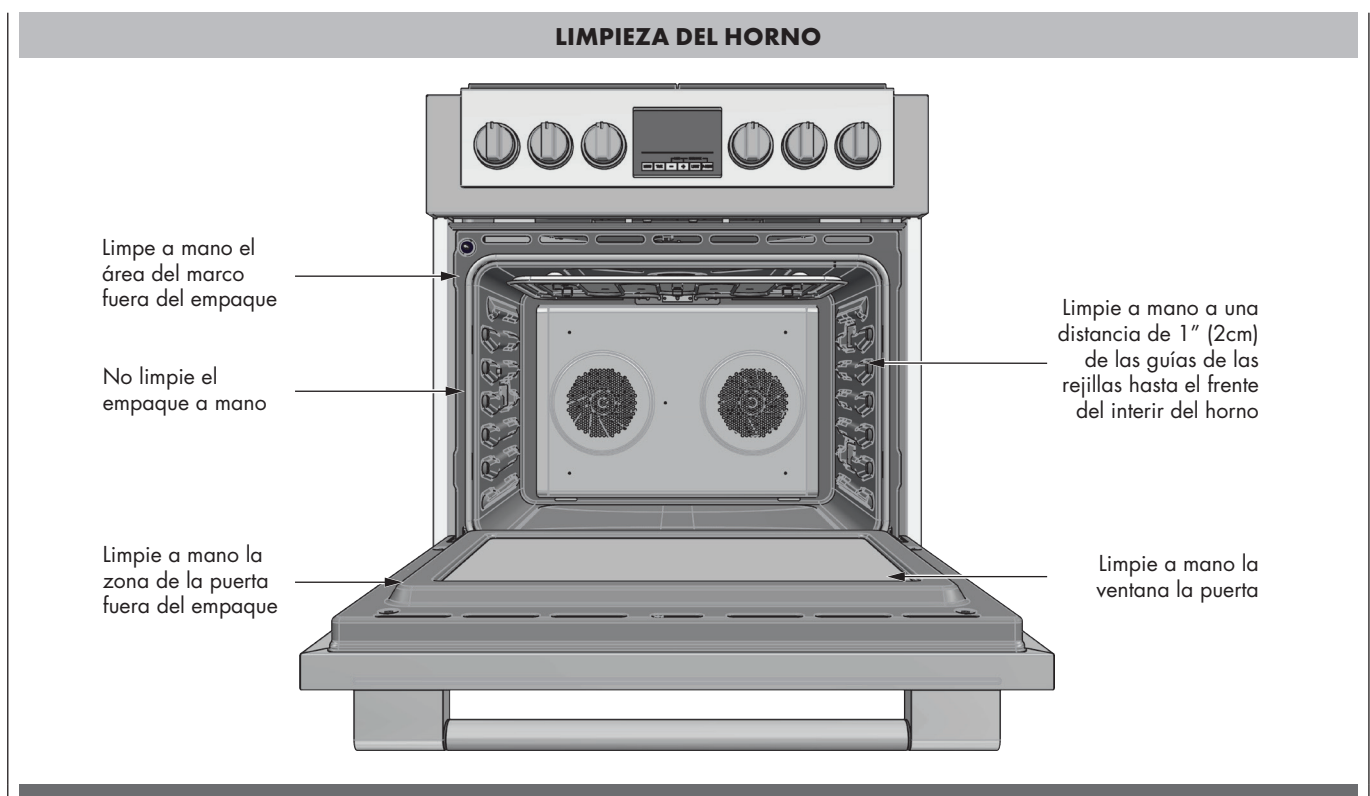
## Autolimpieza del horno

Este horno se caracteriza por una función de autolimpieza pirolítica que elimina la dificultad y el tiempo utilizado en una limpieza manual del interior del horno. Durante la autolimpieza el horno usa una temperatura muy alta (approx. 885°F/470°C) para eliminar los residuos de comida y grasa.

- No se debe utilizar la cocina durante el ciclo de autolimpieza del horno.
- Se puede autolimpiar un solo horno a la vez.
- Es normal ver humo y/o una llama ocasional durante el ciclo de autolimpieza, dependiendo del contenido y de la cantidad de suciedad que queda en el horno. Si la llama persiste, apague el horno y permita que se enfríe antes de abrir la puerta para limpiar los residuos de comida con un trapo.
- El pestillo de la puerta se activa automáticamente tras seleccionar el ciclo de autolimpieza. El icono de puerta cerrada aparecerá en la pantalla. Esto asegura que la puerta no se pueda abrir mientras el interior del horno se encuentra a la temperatura de limpieza.
- La lámpara del horno no funciona durante el modo de autolimpieza.
- Durante la autolimpieza es preciso ventilar bien la cocina para ayudar a eliminar los olores asociados con la autolimpieza. Los olores se perderán con el uso.
- El tiempo de autolimpieza presente dura tres horas.
- El modo se para automáticamente al final de las horas de limpieza.
- Cuando el calor del horno baja a una temperatura segura, se activa el bloqueo automático de la puerta y esta se puede abrir.

## Antes de la autolimpieza

1. Quite todos los recipientes y la bandeja de asado.
2. Quite las rejillas del horno. Si se dejan las rejillas en el horno durante la autolimpieza perderán su acabado brillante y dejarán de deslizarse suavemente sobre las guías de las rejillas. Vea la Tabla de limpieza del horno para un cuidado apropiado, página 43.
3. Limpie cualquier resto y la grasa con toallas de papel. El exceso de grasa provocaría llamas y humos dentro del horno durante la autolimpieza.
4. Repase la figura de aquí abajo. Algunas zonas del horno se tienen limpiar a mano antes de iniciar este ciclo. No se calientan lo suficiente durante el ciclo de limpieza para quemar los residuos. Use una esponja jabonosa, un raspador de plástico o una esponjilla con detergente S.O.S.®. Limpie a mano el borde de la puerta, el marco delantero y superior hasta 1-½ "(2-3 cm) pulgadas por el interior del marco con detergente y agua caliente. No frote el empaque. Limpie a mano la ventana de la puerta del horno. Enjuague a fondo todas las zonas y luego séquelas.
5. Asegúrese de que las lámparas del interior estén apagadas y que las bombillas y la cubierta estén en sus lugares. Véase la página 32



**Para configurar el modo de autolimpieza**

1. Pulse el botón **SMALL/LARGE** para seleccionar el interior del horno que hay que limpiar, si el horno es el doble.

**! IMPORTANTE**

2. Primero gire la perilla de función en sentido antihorario de OFF a SELF-CLEAN, luego la perilla de temperatura siempre en sentido antihorario, de PRESET a SELF-CLEAN. Cualquier otra secuencia de rotación de la perilla no permitirá que se inicie el programa de AUTOLIMPIEZA.

3. CLEAN & TIME aparecen en la pantalla.
4. Se muestra automáticamente la hora borrada y su valor estándar es de 3 horas.
5. Al final del tiempo de limpieza, el horno se apagará automáticamente.
6. Pare el modo de limpieza en cualquier momento, quite de la posición de limpieza una de las perillas.

No intente abrir la puerta cuando esté bloqueada. Las indicaciones "AUTO LOCK" parpadearán hasta que se apague el motor. Cuando éstas aparezcan, no se podrá abrir la puerta. Compruebe que la puerta está bloqueada y que no se abrirá antes de iniciar la autolimpieza.

Si la puerta no se bloquea, gire la perilla del modo de cocción en la posición OFF y no iniciar la autolimpieza; llame por teléfono al servicio (véase a página 100 para obtener el servicio).

Si la puerta está en posición abierta al seleccionar este modo, las indicaciones "AUTO LOCK" parpadearán hasta que se cierre la puerta. El pestillo no se moverá hasta que la puerta esté cerrada. No intente abrir la puerta mientras el pestillo está en movimiento pues puede dañar el mecanismo.

**Para cambiar el tiempo de limpieza**

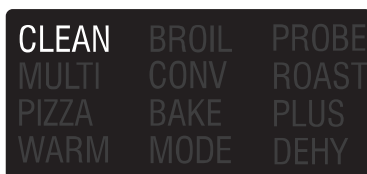
1. Para cambiar el tiempo prefijado de 3 horas, selecciones otra hora para residuos ligeros o 4 horas para residuos resistentes inmediatamente antes de iniciar.
2. Para cambiar las horas, toque la tecla **TIME**.

3. Las horas parpadearán.
4. Utilice las teclas **+** o **-** para cambiar el valor.
5. Para cambiar los minutos, vuelva a tocar la tecla **TIME**.
6. Los minutos parpadearán.
7. Utilice las teclas **+** o **-** para cambiar el valor. Mantenga pulsada la tecla para cambiar en intervalos de 10 minutos.
8. Toque **TIME** o espere unos segundos para confirmar el nuevo valor.

**Para retardar el inicio de la limpieza**

1. Siga los pasos que aparecen arriba del 1 a 7.
2. Toque la tecla **TIME** y compruebe que "STOP TIME" aparece en pantalla. Las horas comenzarán a parpadear.
3. Utilice las teclas **+** o **-** para cambiar el valor de la hora de apagado.
4. Para cambiar los minutos, toque la tecla **TIME** y los minutos parpadearán.
5. Utilice las teclas **+** o **-** para cambiar el valor. Mantenga pulsada la tecla para cambiar en intervalos de 10 minutos.
6. Toque **TIME** o espere unos segundos para confirmar el nuevo valor.
7. El pestillo comenzará a moverse para bloquear la puerta del horno y en la pantalla aparecerá "DELAY".
8. Al acabar el tiempo de retardo, se iniciará la autolimpieza.
9. Al final del tiempo de limpieza programado, el horno se apagará automáticamente.
10. "End" aparecerá en la pantalla de temperatura y "CLEAN" en la pantalla de modo y "TIME" comenzará a parpadear en la pantalla de reloj hasta que se pulse la tecla **TIME** o el selector se mueva a la posición de apagado.

Para comprobar la limpieza o la hora de apagado durante la limpieza retardada, sólo tiene que pulsar la tecla **TIME** hasta que se muestren las indicaciones "TIME" o "STOP TIME".





## ADVERTENCIA

- Asegúrese de que el horno esté frío y de que se haya apagado la corriente antes de quitarla puerta. De otro modo podría causar una descarga eléctrica o quemaduras.
- La puerta del horno es pesada y frágil. Use ambas manos para quitar la puerta. La parte frontal de la puerta es de vidrio. La puerta delantera es de vidrio y cuenta con 4 paneles.
- Agarre solo los costados de la puerta del horno.
- No use la agarradera ya que podría girar en su mano y causar daños o heridas.
- Si no agarra firmemente y de la manera correcta la puerta del horno podría causar lesiones a personas o daños al producto

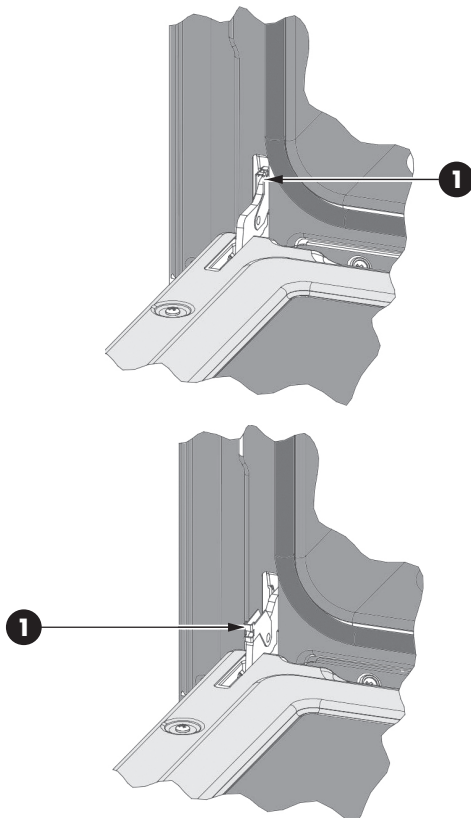
### Para quitar la puerta

1. Abra completamente la puerta.
2. Quite de golpe el clip de seguridad de la bisagra de cada una de las bisagras hacia usted (1).
3. Sujete la puerta firmemente por ambos lados con ambas manos y cierre la puerta hasta que sienta que se detiene en la pinza de seguridad.
4. Sujete con firmeza; la puerta es pesada. Levante y tire hacia usted, puede que tenga que jugar un poco para sentir que las bisagras se desacoplan del bastidor del horno.
5. Coloque la puerta en un lugar adecuado.

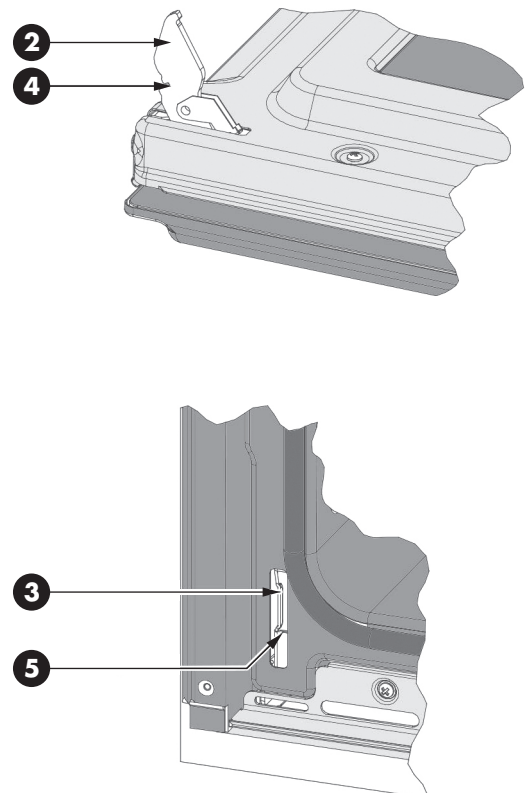
### Para volver a colocar la puerta

1. Introduzca los brazos superiores (2) de ambas bisagras en las ranuras (3). Las hendiduras (4) deben quedar enganchadas en los bordes (5).
2. Ponga los clips de seguridad de la bisagra (1) de nuevo en su posición. Si las pinzas de seguridad no pueden ser fácilmente movidas de vuelta a su posición normal de funcionamiento, es decir, las pinzas golpean el bastidor, entonces la puerta no está correctamente colocada. Retirar nuevamente las pinzas de seguridad y vuelva a insertar la puerta - usted sentirá un ajuste o un ligero descenso cuando las bisagras se acoplan al bastidor correctamente.
3. Cierre y abra lentamente la puerta para asegurarse de que se ha colocado de forma correcta y firme.

#### PARA QUITAR LA PUERTA



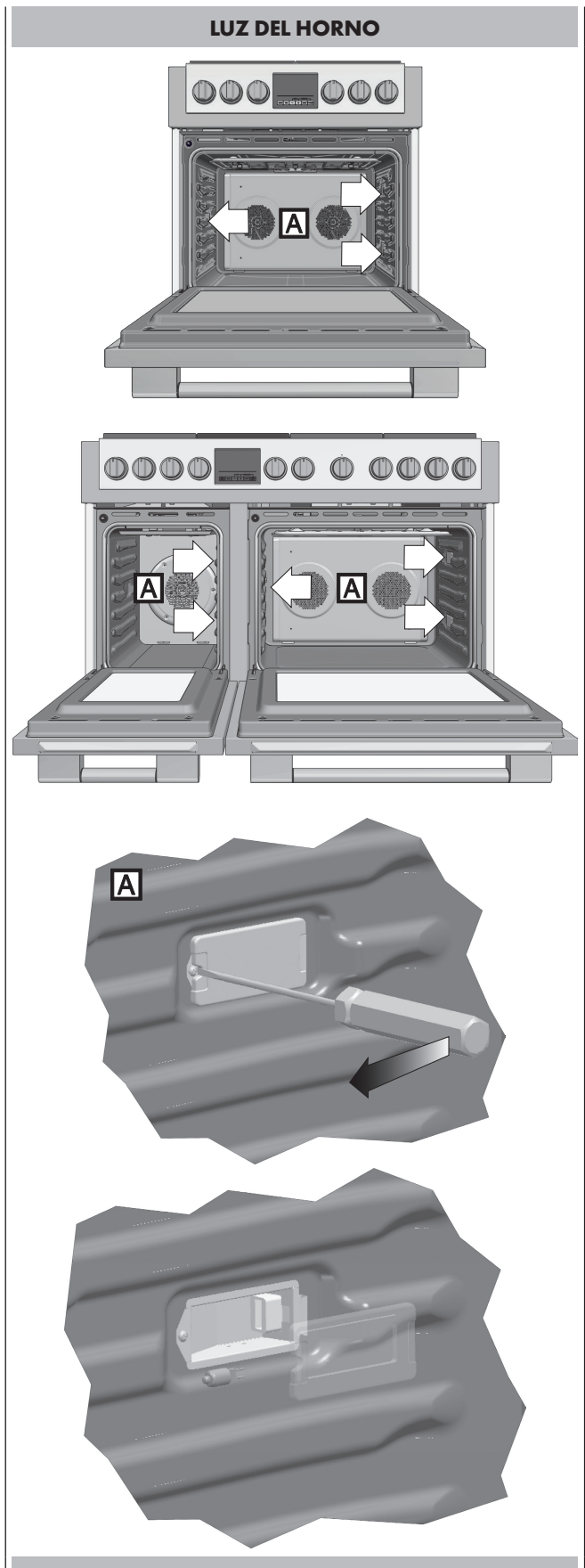
#### PARA SUSTITUIR LA PUERTA



- Todos los hornos están equipados con luces halógenas ubicadas las paredes laterales del horno.
- Las luces se enciende cuando las puertas se abren o cuando se encuentra en el ciclo de cocción.
- Las lámparas del horno no están encendidas durante la AUTOLIMPIEZA.
- Cada lámpara consiste en unas lentes removibles, una bombilla y un casquillo que está fijado en su lugar. Vea la figura de esta página.
- La sustitución de la bombilla se considera un mantenimiento de rutina.

**Para remplazar la bombilla**

1. Lea la ADVERTENCIA de esta página.
2. Apague la corriente general (caja de fusibles o cortocircuito).
3. En los hornos de convección quite la tapa del ventilador destornillando los 4 tornillos con un destornillador.
4. Retire la lente para hacer palanca entre el tornillo y el cristal con un destornillador.
5. Extraiga la bombilla de su casquillo.
6. Sustituya la bombilla con otra. Evite tocar la bombilla con los dedos, porque la grasa de las manos podría dañar la bombilla cuando se calienta.
7. La bombilla es halógena: utilice una del mismo tipo comprobando los voltios y vatios.
8. Enrosque las lentes.
9. Vuelva a colocar la tapa del ventilador si el modelo está dotado con ello.
10. Restablezca la corriente general (caja de fusibles o cortocircuito).



**⚠ ADVERTENCIA**

- Asegúrese de que el horno y las lámparas estén frías y la corriente está apagada antes de remplazar la(s) bombilla(s). Puede haber un fallo debido a una descarga eléctrica o a quemaduras.
- Las lentes tienen que estar montadas cuando se usa el horno.
- Las lentes sirven para evitar que se rompan las bombillas.
- Las lentes son de vidrio. Manéjelas con cuidado para evitar que se rompan. Los vidrios rotos pueden causar lesiones.

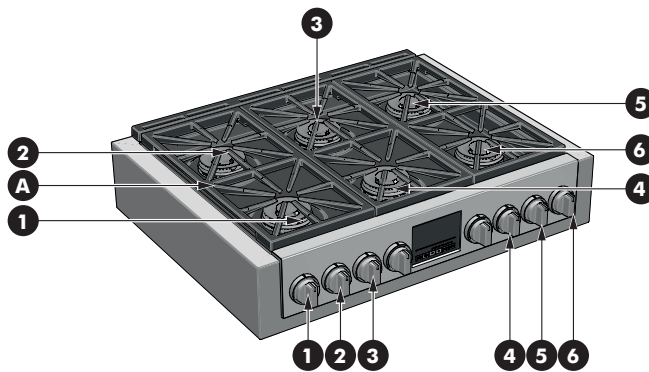
PLACA DE COCCIÓN 30"



A. Rejas

CALIFICACIONES DE SALIDA DEL QUEMADOR: BTU/HR MODELO: 30"	Gas NG (Natural) Gas 5" W.C.P.	LP (Propane) Gas, 10" W.C.P.
1 CORONAS DOBLES (Quemador y mando correspondiente)	750 to 18000 Btu/h (220 to 5300W)	750 to 15000 Btu/h (220 to 4400W)
2 CORONAS DOBLES ( Quemador y mando correspondiente)	750 to 18000 Btu/h (220 to 5300W)	750 to 15000 Btu/h (220 to 4400W)
3 CORONAS DOBLES (Quemador y mando correspondiente)	750 to 18000 Btu/h (220 to 5300W)	750 to 15000 Btu/h (220 to 4400W)
4 CORONAS DOBLES (Quemador y mando correspondiente)	750 to 20000 Btu/h (220 to 5850W)	750 to 15000 Btu/h (220 to 4400W)

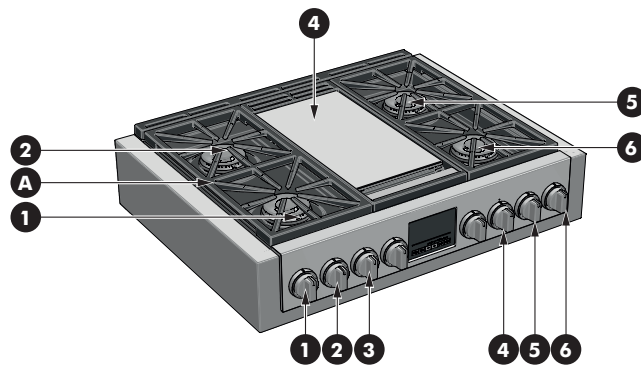
PLACA DE COCCIÓN 36"



A. Rejas

CALIFICACIONES DE SALIDA DEL QUEMADOR: BTU/HR MODELO: 36"	Gas NG (Natural) Gas 5" W.C.P.	LP (Propane) Gas, 10" W.C.P.
1 CORONAS DOBLES (Quemador y mando correspondiente)	750 to 20000 Btu/h (220 to 5850W)	750 to 15000 Btu/h (220 to 4400W)
2 CORONAS DOBLES (Quemador y mando correspondiente)	750 to 18000 Btu/h (220 to 5300W)	750 to 15000 Btu/h (220 to 4400W)
3 CORONAS DOBLES (Quemador y mando correspondiente)	750 to 18000 Btu/h (220 to 5300W)	750 to 15000 Btu/h (220 to 4400W)
4 CORONAS DOBLES (Quemador y mando correspondiente)	750 to 18000 Btu/h (220 to 5300W)	750 to 15000 Btu/h (220 to 4400W)
5 CORONAS DOBLES (Quemador y mando correspondiente)	750 to 18000 Btu/h (220 to 5300W)	750 to 15000 Btu/h (220 to 4400W)
6 CORONAS DOBLES (Quemador y mando correspondiente)	750 to 20000 Btu/h (220 to 5850W)	750 to 15000 Btu/h (220 to 4400W)

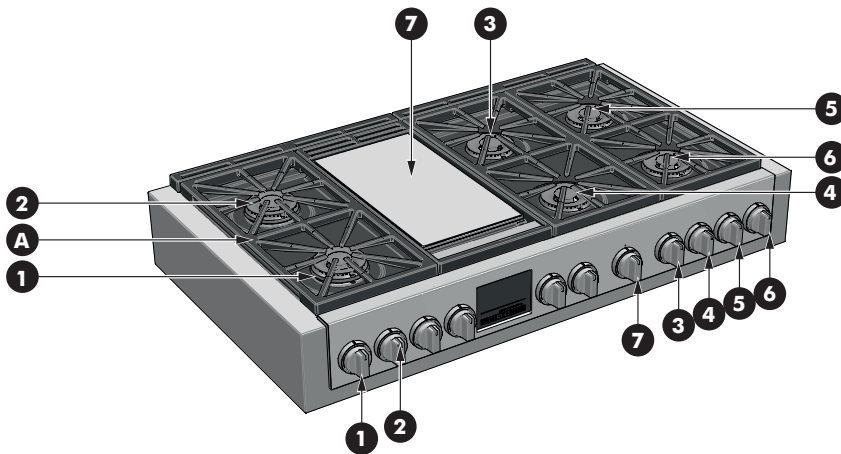
TABLE DE CUISSON DE 36" PLANCHA



A. Rejas

CALIFICACIONES DE SALIDA DEL QUEMADOR: BTU/HR MODELO: 36"	Gas NG (Natural) Gas 5" W.C.P.	LP (Propane) Gas, 10" W.C.P.
1 CORONAS DOBLES (Quemador y mando correspondiente)	750 to 20000 Btu/h (220 to 5850W)	750 to 15000 Btu/h (220 to 4400W)
2 CORONAS DOBLES (Quemador y mando correspondiente)	750 to 18000 Btu/h (220 to 5300W)	750 to 15000 Btu/h (220 to 4400W)
3 CUENTAMINUTOS NORMAL (Boton)	Vea Boton del cuentaminutos normal, Pág. 40.	
4 PLANCHA (Quemador y mando correspondiente)	11500 Btu/h (3370W)	11500 Btu/h (3370W)
5 CORONAS DOBLES (Quemador y mando correspondiente)	750 to 18000 Btu/h (220 to 5300W)	750 to 15000 Btu/h (220 to 4400W)
6 CORONAS DOBLES (Quemador y mando correspondiente)	750 to 20000 Btu/h (220 to 5850W)	750 to 15000 Btu/h (220 to 4400W)

PLACA DE COCCIÓN 48" PLANCHA

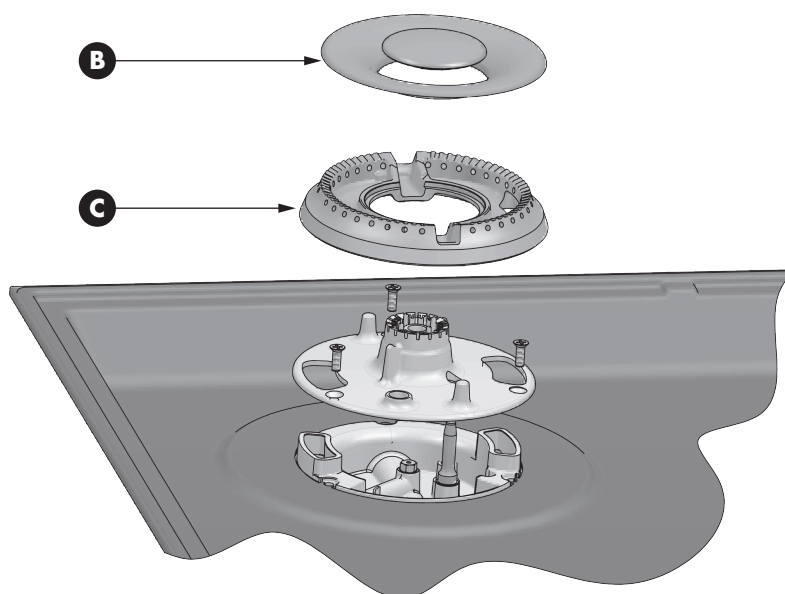


A. Rejas

CALIFICACIONES DE SALIDA DEL QUEMADOR: BTU/ HR MODELO: 48"	NG (Natural) Gas, 5" W.C.P.	LP (Propane) Gas, 10" W.C.P.
1 CORONAS DOBLES (Quemador y mando correspondiente)	750 to 20000 Btu/h (220 to 5850W)	750 to 15000 Btu/h (220 to 4400W)
2 CORONAS DOBLES (Quemador y mando correspondiente)	750 to 18000 Btu/h (220 to 5300W)	750 to 15000 Btu/h (220 to 4400W)
3 CORONAS DOBLES (Quemador y mando correspondiente)	750 to 18000 Btu/h (220 to 5300W)	750 to 15000 Btu/h (220 to 4400W)
4 CORONAS DOBLES (Quemador y mando correspondiente)	750 to 18000 Btu/h (220 to 5300W)	750 to 15000 Btu/h (220 to 4400W)
5 CORONAS DOBLES (Quemador y mando correspondiente)	750 to 18000 Btu/h (220 to 5300W)	750 to 15000 Btu/h (220 to 4400W)
6 CORONAS DOBLES (Quemador y mando correspondiente)	750 to 20000 Btu/h (220 to 5850W)	750 to 15000 Btu/h (220 to 4400W)
7 PLANCHA (Quemador y mando correspondiente)	11500 Btu/h (3370W)	11500 Btu/h (3370W)

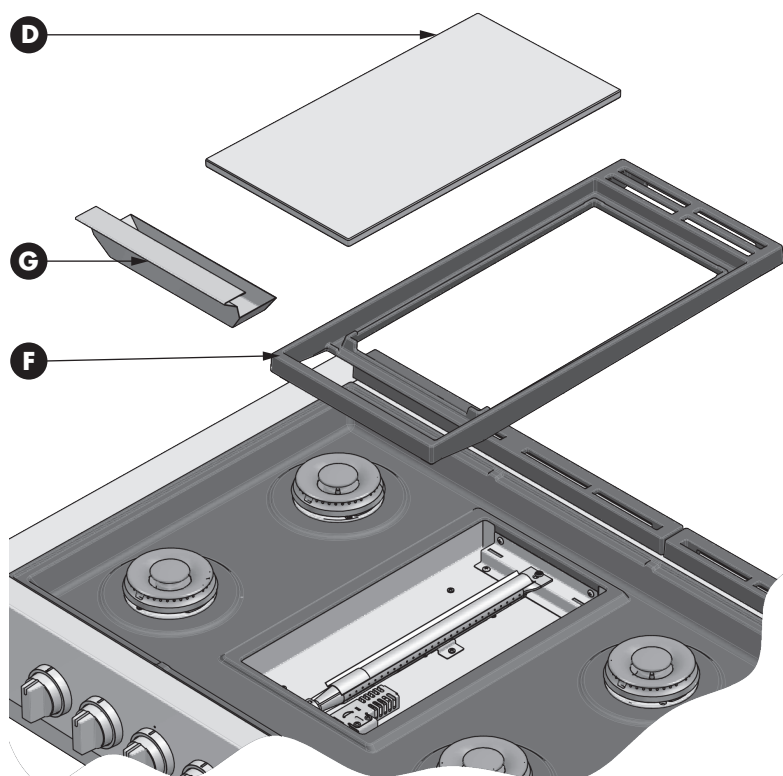


QUEMADOR



- B. Quemador de la Copa**
- C. Quemadores de Gas Spreader**

PLANCHA

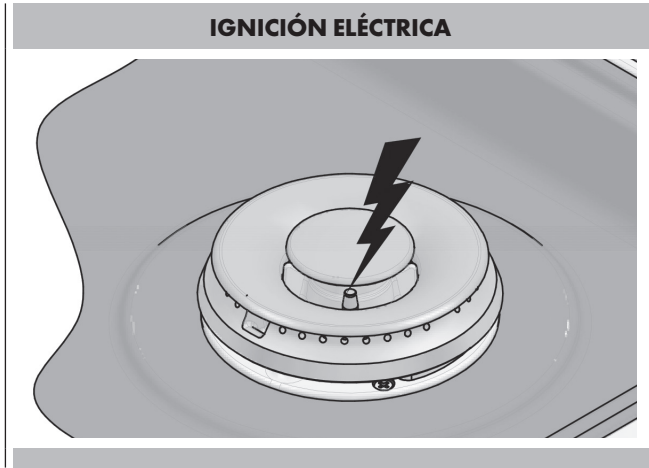


- D - Placa Plancha**
- G - Bandeja recoge gotas**
- F - Soporte Placa Plancha**

**Uso de los Mandos**

**Ignición eléctrica del gas**

El quemador de gas está provisto de un dispositivo eléctrico de encendido cerca de cada quemador que garantiza el encendido de los quemadores.



**Modelo reencendido automático**

El reencendido automático prende la superficie de los quemadores cuando el mando está girado en cualquier posición que admita el suficiente caudal de gas para soportar la llama.

Si la llama de un quemador se apaga debido a una corriente de aire o a otra condición desfavorable, el encendedor emite automáticamente chispas en todos los quemadores para volver a encender la llama.

**NOTA:** Esta característica se suministra como una comodidad y no se ha concebido como una característica de seguridad.

Para realizar el ajuste:

- Empuje y gire el mando a izquierdas hasta cualquier configuración, las bujías generan un chasquido (chispa) sin embargo, solamente los quemadores con el mando ajustado en el intervalo HI-LO producen una llama y se vuelven a encender automáticamente si la llama se apaga.

**⚠ ADVERTENCIA**

- No utilice el quemador con cazuelas vacías o sin cazuelas en la parrilla.
- No toque el quemador cuando los encendedores están emitiendo chispas.
- No deje la llama del quemador extenderse más allá del borde de la cazuela.
- Apague todos los controles cuando no esté cocinando.

Un error cuando se siguen estas instrucciones puede provocar heridas a las personas o fuego.

**Quemadores de gas**

El diseño de los quemadores de gas de los modelos de esta placa de cocina permite una agradable opción cuando el tamaño, la potencia y la cocción a fuego lento son de importancia primordial.

**Quemadores con llamas de dos coronas**

Este quemador especial tiene dos coronas de combustión separadas para suministrar una real regulación de calentamiento total desde la alta potencia a la cocción a fuego lento.

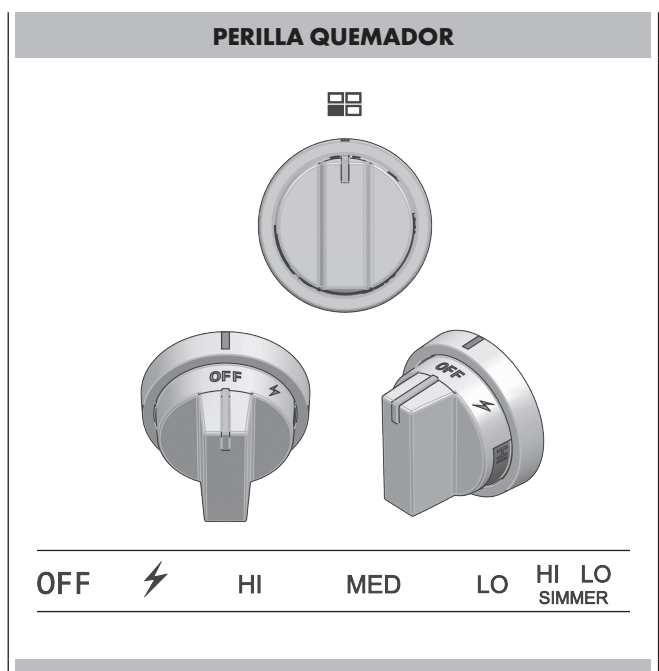
1. Empuje y gire el pomo a izquierdas dentro del intervalo principal HI-LO, la llama principal y la llama para fuego lento se encienden y permanecen encendidas.
2. Ajuste la temperatura deseada dentro del intervalo principal HI - LO.

**Ajuste de cocción a fuego lento**

Siga girando el mando a izquierdas hasta el intervalo 'HILO SIMMER'. La corona externa se apaga y el ajuste de la temperatura puede hacerse utilizando solamente la corona interna.

**Apagado del quemador**

Gire el mando a derechas lo más que se pueda hasta la posición de apagado. Asegúrese de que la llama está completamente apagada.



## Las Llamas del Quemador

Encienda todos los quemadores. Las llamas deberían ser de color azul con un toque de amarillo. No deberían agitarse o alejarse del quemador. El cono interior de la llama debería ser de entre 1/2" (1,2 cm) y 3/4" (1,9 cm) de largo

## Quemadores de Superficie Bien Sellados



### IMPORTANTE

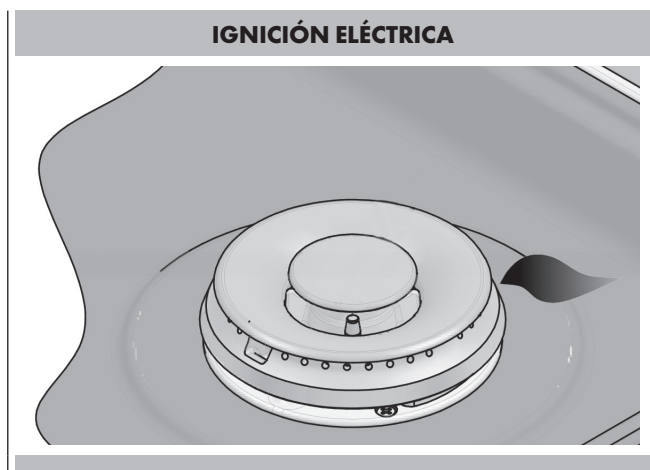
No obstruya el caudal de combustión de la ventilación del aire alrededor de los lados de la rejilla del quemador.

## Tapa del quemador y difusor de gas

Cuando use una superficie del quemador tenga cuidado siempre de que la tapa del quemador y el difusor del gas están en su lugar. Si la tapa del quemador y el difusor están limpios, esto puede prevenir una ignición escasa y una llamas desiguales. Limpie siempre estas partes tras un derramamiento y como rutina limpie siguiendo las recomendaciones que se indican en la sección "Limpieza General".

## Base del quemador e inyector

El gas debe fluir sin obstáculos por el orificio del inyector para prender correctamente. Mantenga la zona del inyector limpia e impida que los restos de alimentos, productos de limpieza o cualquier otro material bloqueen la abertura del orificio. Protéjalo durante la limpieza.



## Antes de encender el quemador, asegúrese de que:

- El difusor de gas está acoplado correctamente y el pasador de alineación está alineado correctamente con la ranura de la base del quemador.
- La tapa está acoplada correctamente y el pasador de alineación está alineado correctamente con la ranura del difusor de gas.

## Ranuras de los quemadores

Compruebe periódicamente las llamas que emite el quemador. El color de una llama normal es azul, no amarillo o naranja. Mantenga la zona limpia e impida que salpicaduras o restos de alimentos, productos de limpieza o cualquier otro material entren en los ranuras de los quemadores.

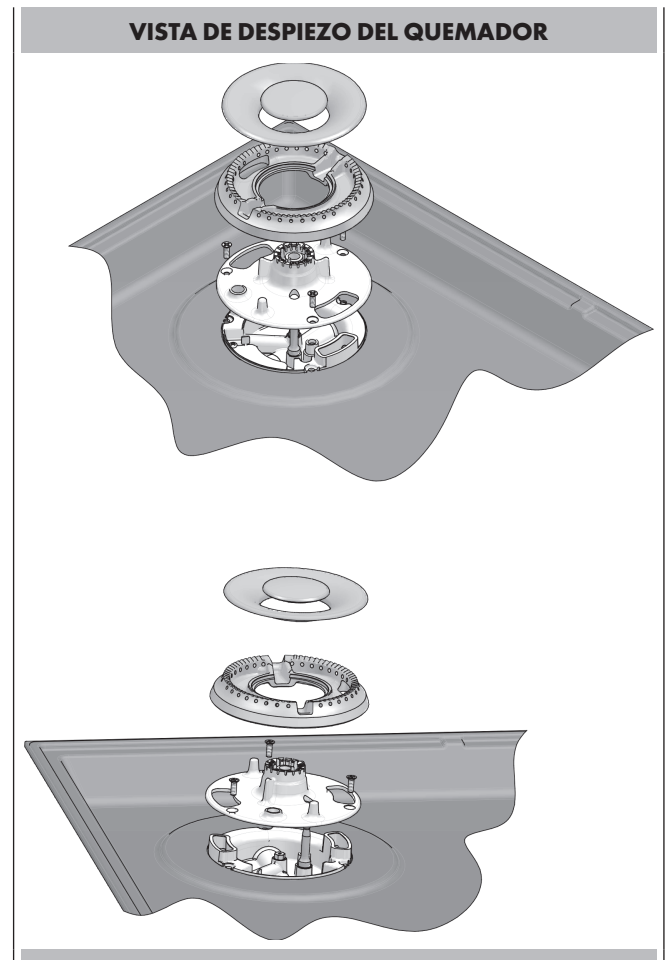
## Cómo limpiar los quemadores:



### IMPORTANTE

Antes de empezar a limpiar, asegúrese de que todos los mandos están en la posición de apagado y compruebe que la placa de cocción está fría.

1. Retire la tapa del quemador de la base del quemador y límpiela siguiendo las instrucciones de la sección de limpieza.
2. Retire el difusor del quemador. Limpie la abertura del conducto de gas y la ranura del quemador siguiendo las instrucciones recogidas en la sección de limpieza.
3. Limpie la base del quemador con un paño húmedo. No utilice detergentes: es importante impedir que el orificio del inyector se obstruya con productos de limpieza u otros materiales.
4. Vuelva a colocar el difusor y la tapa del quemador en su sitio comprobando que se acoplen perfectamente.
5. Encienda el quemador. Si no se enciende, compruebe que la tapa y el difusor del quemador están bien acoplados. Si están en buen estado y bien acoplados, pero el quemador sigue sin encenderse, póngase en contacto con un técnico especialista para su reparación, no intente hacerlo usted mismo.



## Plancha

La plancha es controlada termostáticamente para mantener una temperatura constante. Por lo tanto, el nivel de flujo de gas / llama puede no corresponder directamente a la rotación de la perilla como lo hace con los otros quemadores de superficie. En cambio, el mando de la plancha fija una temperatura deseada y un termostato controla el flujo de gas para alcanzar / mantener esa temperatura ajustada. Para evitar que los alimentos se peguen, se recomienda "sazonar" la plancha antes de usarla.

## Sazonado de la plancha

La plancha debe limpiarse antes del primer uso. Use agua caliente y un detergente suave para eliminar cualquier residuo de fabricación. Enjuague y seque. Encienda la campana de ventilación a la primera o segunda velocidad. Gire el mando de control de la plancha a 175°C y deje que la plancha se caliente durante 30 minutos. Después de 30 minutos, gire la perilla a OFF y deje que se enfríe hasta el punto en que sea seguro tocarla. Mientras la superficie está ligeramente caliente, vierta una pequeña cantidad de aceite de cacahuets o vegetal en una toalla de papel y extiéndala uniformemente sobre la superficie de cocción de la plancha. Aumente la velocidad de la campana y luego gire el mando de control de la plancha a 350°F (175°C). Caliente hasta que el aceite de la plancha empiece a humear, luego gire el mando a APAGADO y deje que se enfríe. Una vez fría, limpie cualquier exceso de aceite.

## Operación de plancha

Encienda la ventilación de la campana. Gire el mando de control de la plancha a la temperatura deseada. La luz indicadora sobre la perilla se ilumina hasta que la plancha alcanza la temperatura establecida.

## Cuidado de la plancha

Raspe la grasa de la superficie de la plancha en la bandeja de recogida de grasa después de cada uso. Cuando la superficie se haya enfriado, límpiela con una toalla de papel para eliminar el exceso de grasa o aceite.

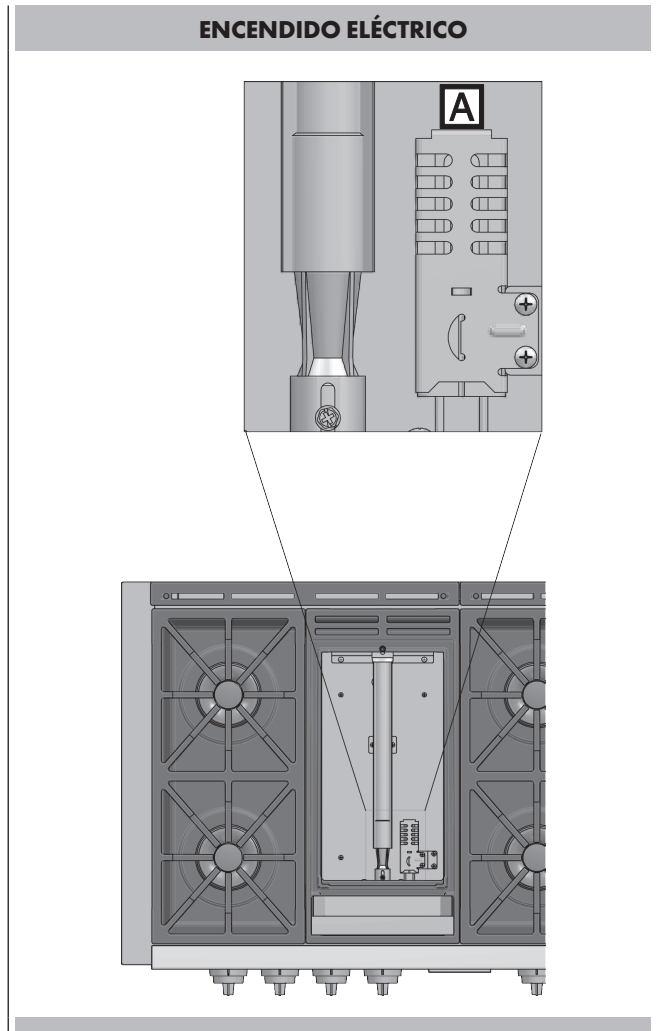
Después de cada uso, vuelva a aplicar una pequeña cantidad de aceite de cacahuets o vegetal en una toalla de papel y extiéndala uniformemente.

Ocasionalmente retire el sazonado. Vierta 1/2 taza (100 ml) de agua tibia y 1 cucharadita (5 ml) de limpiador de planchas sobre la plancha y raspe los residuos en la bandeja de recogida de grasa, y luego vacíela. Siga las instrucciones del limpiador de planchas.

Cuando esté seca, vuelva a aplicar una pequeña cantidad de aceite para sazonar.

## Encendido eléctrico de gas

El quemador de la plancha utiliza un cable de encendido eléctrico ubicado cerca del quemador que asegura el encendido del quemador. Se controla termostáticamente para mantener una temperatura constante. Está controlado por termostato para mantener una temperatura constante.



(A) ALAMBRE DE ENCENDIDO

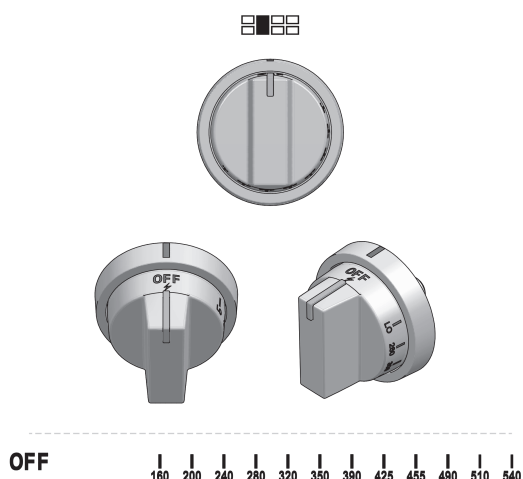
### Para ajustar:

- Gire la perilla en sentido horario: se iniciará el sistema de cable incandescente y cuando esté al máximo brillo, el quemador producirá una llama
- La plancha tiene una luz de "ENCENDIDO" que se ilumina cuando el termostato de la plancha está encendido y lo cambiará "APAGADO" cuando estará a la temperatura seleccionada.

### Apagando el quemador

Gire el botón en sentido de las agujas del reloj hasta el tope de la posición de apagado. Asegúrese que la llama se apague completamente.

## BOTÓN DEL QUEMADOR DE LA PLANCHA



### ⚠️ ADVERTENCIA

El rango debe estar nivelado para que la plancha funcione adecuadamente.

### ⚠️ PRECAUCIÓN

- No recaliente la plancha. Esto puede dañar el revestimiento de la plancha.
- No use utensilios de metal que puedan dañar la superficie de la plancha.
- Apague siempre cuando no esté en uso o descienda el calor entre las cargas de cocina.
- No use la plancha para otros propósitos, por ejemplo, como tabla de cortar o como estante de almacenamiento.
- No cocine alimentos excesivamente grasosos. La grasa podría derramarse.
- La plancha puede calentarse mucho. Use guantes para horno cuando coloque o retire la plancha.
- No retire la plancha hasta que la parrilla, las superficies y la plancha misma se enfríen.
- La plancha es bastante pesada. Use ambas manos cuando coloque o retire la plancha.

## Consejos de Cocina

- Precaliente la plancha de la parrilla por unos 20 minutos, luego ajuste la temperatura deseada.
- Use aceite de cocina líquido, aerosoles para cocinar o mantequilla para huevos, panquecas, tostadas francesas, pescado y sándwiches. Esto ayudará a reducir la adherencia. (Use solo grasas/aceites que resistan altas temperaturas)
- Sacuda los alimentos húmedos con una toalla de papel para evitar salpicaduras durante el asado.
- Remueva las partículas de alimentos con una espátula de metal mientras cocina para facilitar la limpieza y evitar que esas partículas se introduzcan en los alimentos.

## Tabla de Plancha de Cocinado

Alimentos	°F	°C
Huevos	250 - 300	121 - 149
Bacon	325 - 350	163 - 177
Panquecas	375 - 450	191 - 232
Tostada francesa	425	218
Filetes de Pescado	300	149
Vegetales	300	149
Hamburguesas	350	177
Bistecs	350	177

### ⚠️ IMPORTANTE

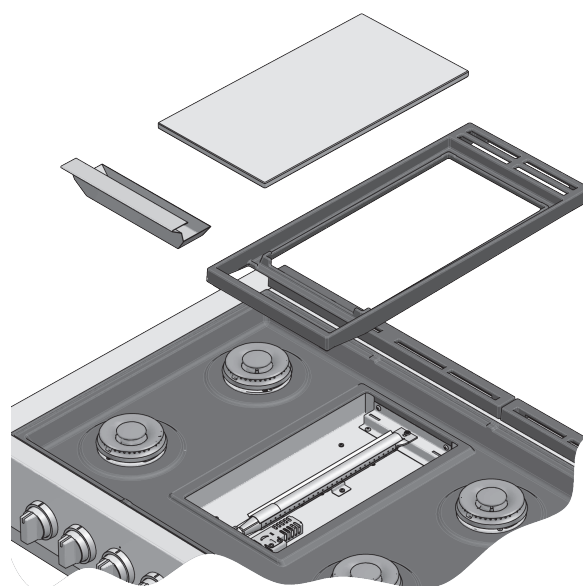
Después de cada cocción asegúrese de vaciar y limpiar la bandeja de goteo y vuelva colocarla en su lugar adecuado debajo de la plancha.

Antes de limpiarla, asegúrese que todos los controles estén apagados y que la plancha esté fría.

1. Saque la placa de la plancha de la base del quemador y límpiela de acuerdo con la sección de limpieza.
2. En caso de que limpie la caja del quemador con un paño húmedo (mantenga el inyector de gas y las áreas de alambre incandescente sin limpieza agentes y cualquier otro material).
3. Vuelva a colocar la placa de la plancha, prestando atención a la posición correcta.
4. Encienda el quemador.

Si el quemador no se enciende, espere un par de minutos y repita la operación. Si el quemador todavía no se enciende, no realice el servicio del quemador de gas usted mismo. Contacte un especialista entrenado en reparación.

### VISTA DETALLADA DE LA REJILLA DEL QUEMADOR

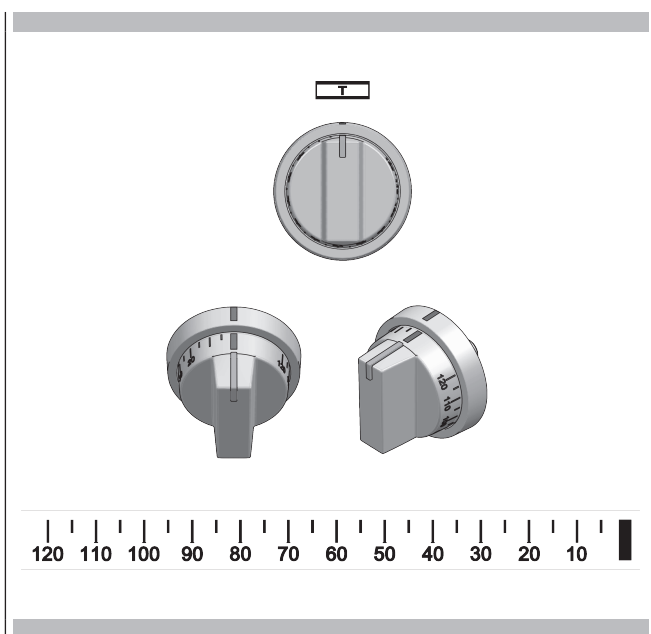


### Boton del cuentaminutos normal

#### (0 to 120 min)

Dando una vuelta completa al botón en el sentido de las manecillas del reloj y llevando luego el índice en correspondencia con un tiempo cualquiera, indicado en el cuadro en minutos, se obtendrá el accionamiento de la señal acústica del dispositivo una vez alcanzado el tiempo seleccionado (máx. 120 min).

Durante el funcionamiento del cuentaminutos, el botón respectivo vuelve progresivamente hacia "0" en modo automático al pasar los minutos, indicando así cuánto tiempo falta para completar la operación.



**IMPORTANTE:** No deje nunca un recipiente vacío sobre una parrilla o un quemador caliente. Los recipientes ideales para cocinar deberían tener una base plana, laterales rectos y una tapa que encaje perfectamente.

Deberían ser de un espesor medio-alto. Los acabados rugosos podrían rayar la placa de cocción.

Los recipientes de cocina pueden ser de aluminio y cobre, pero si la base está hecha con esos materiales, pueden dejar marcas permanentes en la placa de cocción o en las parrillas. El material de los recipientes es un factor que contribuye a determinar la velocidad y uniformidad a la que se transfiere el calor, cosa que afecta al resultado del plato que esté preparando. Un acabado antiadherente tiene las mismas características que el material de la base. Por ejemplo, un recipiente de aluminio con un acabado antiadherente, disfrutará de las propiedades del aluminio. Consulte la siguiente guía para conocer las características de cada material.

### Características de los Materiales

**Aluminio:**

calienta de forma rápida y uniforme. Es adecuado para todo tipo de cocina. El espesor medioalto es el mejor para la mayor parte de las tareas de cocina.

**Hierro fundido:**

calienta lenta y uniformemente. Es ideal para dorar y freír. Mantiene muy bien el calor y por eso es adecuado para cocinar a fuego lento.

**Cerámica o cerámica vidriada:**

siga las instrucciones del fabricante. Calienta lentamente, pero de manera irregular. Da unos buenísimos resultados a temperaturas bajas y medias.

**Cobre:**

calienta muy rápidamente y de manera uniforme.

**Barro:**

siga las instrucciones del fabricante. Utilícelo con fuego bajo.

**Acero o hierro fundido con porcelana vitrificada:**

lea el apartado de acero inoxidable o de hierro fundido.

**Acero inoxidable:**

calienta rápidamente, pero de manera poco uniforme. Una base de aluminio o cobre en un recipiente de acero inoxidable proporciona un calentamiento uniforme.

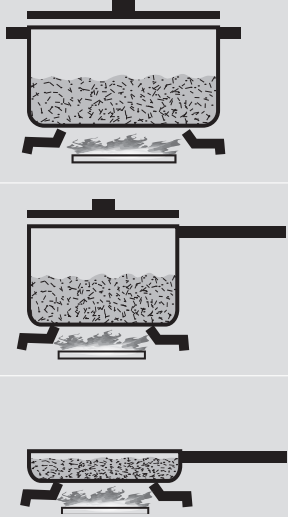


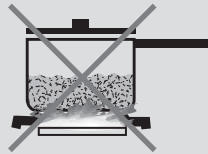
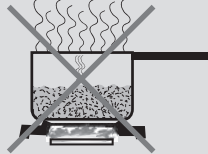
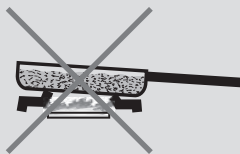
### Adecue el Diámetro de la Llama al del Recipiente

La llama debería tener el mismo diámetro (o un poco menos) que la base del recipiente. No utilice sartenes pequeñas con una llama alta, porque las llamas podrían comerse los laterales del recipiente. Las sartenes o cazuelas de gran tamaño que requieran el uso de dos quemadores, deberían ponerse entre un quemador trasero y uno frontal, y no de lado a lado de la placa de cocción.

**Utilice recipientes equilibrados**

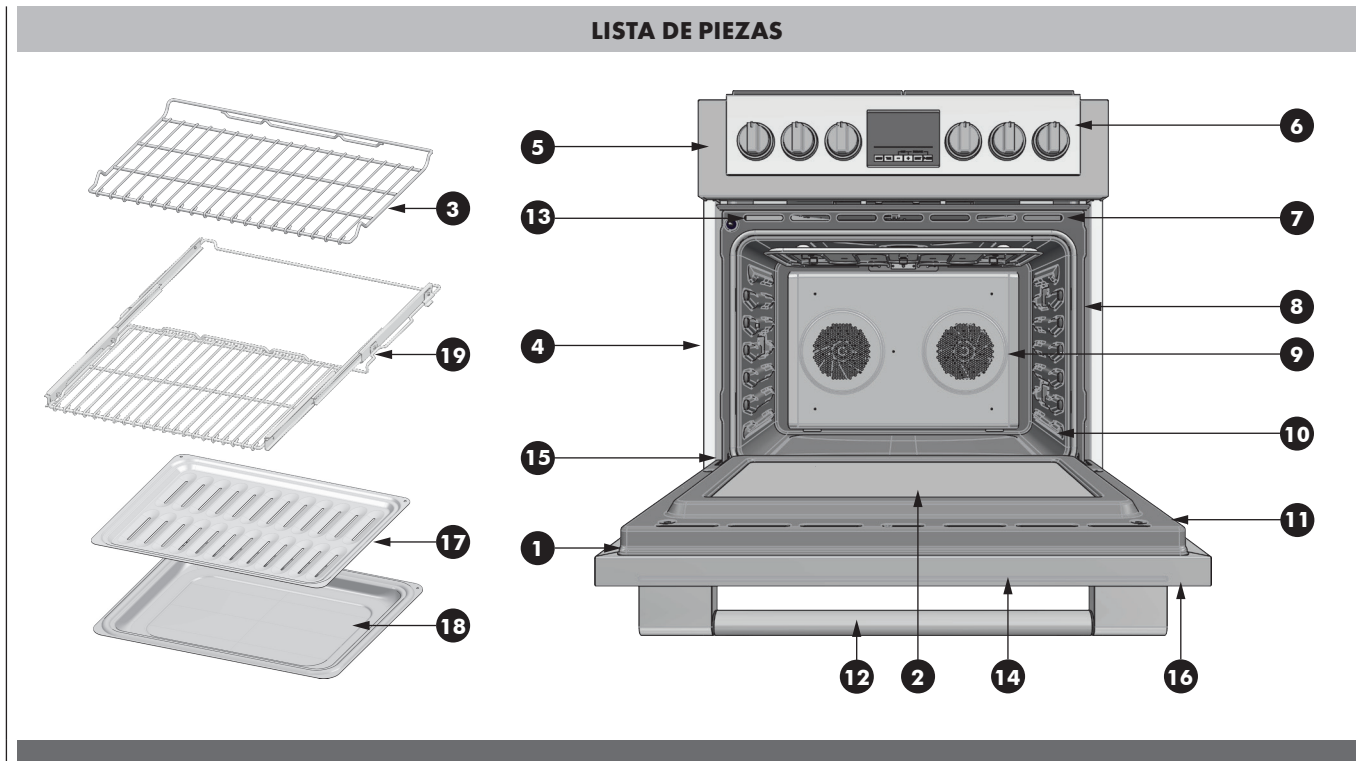
Las sartenes y ollas deben asentarse de manera estable en la parrilla de la placa de cocción, no deben bailar. Centre el recipiente sobre el quemador.

**Utilice una tapa que encaje perfectamente con el recipiente**  
Una tapa adecuada ayuda a acortar el tiempo de cocción. Las sartenes con fondos planos y pesados proporcionan un calor uniforme y una gran estabilidad.

 <b>ADVERTENCIA</b>	
<p>RECIPIENTE EQUILIBRADO</p>	
<p>CÓNCAVO</p>	
<p>CONVEXO</p>	
<p>ADECUE EL DIÁMETRO LLAMA AL RECIPIENTE</p>	
<p>UTILICE UNA TAPA QUE ENCAJE PERFECTAMENTE</p>	
<p>RECIPIENTE NO EQUILIBRADO</p>	

**Cómo usar la tabla de la limpieza del horno**

1. Localice el número de la parte que tiene que limpiar en la figura de esta página.
2. Busque el nombre de la parte en la tabla.
  - Use el método de limpieza que aparece en la columna de la izquierda si el horno es blanco o negro.
  - Use el método de limpieza que aparece en la columna de la derecha si el horno es de acero inoxidable.
3. Haga coincidir la letra con el método de limpieza Phe de la página siguiente.



**Gráfico limpieza**

Parte	Método de limpieza		Parte	Método de limpieza	
	Esmaltado	Acero Inoxidable		Esmaltado	Acero Inoxidable
1 Marco de la puerta	D	G	11 Puerta del horno interior	E	E
2 Interior de la ventana de la puerta	F	F	12 Agarradera de la puerta	G	G
3 Rejillas removibles del horno	A or E	A or E	13 Aberturas de enfriamiento de la puerta	E	E
4 Molduras laterales	G	G	14 Frente de la puerta	C&D	C&G
5 Moldura del panel de control	G	G	15 Molduras del horno	D	D
6 Panel de control	D	G	16 Tapa terminal	D	G
7 Aberturas de enfriamiento del horno	D	D	17 Bandeja de grill	E	E
8 Marco frontal del horno	E	E	18 Bandeja del horno inferior	E	E
9 Cavity del horno	E	E	19 Rejilla extensible	A	A
10 Empaque metálico	B	B			



El horno completo se tiene que limpiar de manera segura con una esponja jabonosa, enjuagar y secar. Si no se consiguen eliminar residuos persistentes, siga los métodos de limpieza que se muestran aquí abajo.

- Use siempre el limpiador más suave para hacer el trabajo.
- Frote el acabado del metal en la dirección del granulado.
- Use trapos limpios y suaves, esponjas o toallas de papel.
- Enjuague a fondo con el mínimo de agua posible para que no gotee agua en el interior de las ranuras.
- Seque para evitar que se formen alones.

Los limpiadores que se enumeran aquí abajo indican el tipo de productos que hay que usar y no se recomiendan. Use todos los productos según las instrucciones del paquete.

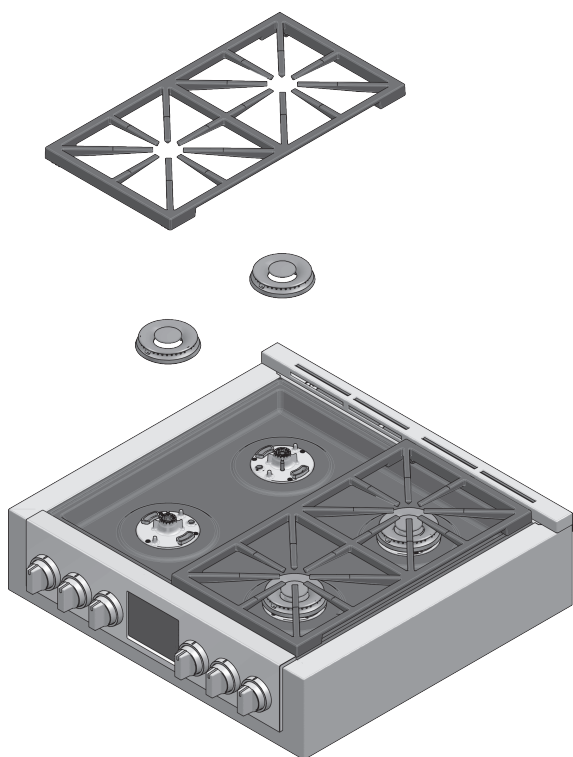
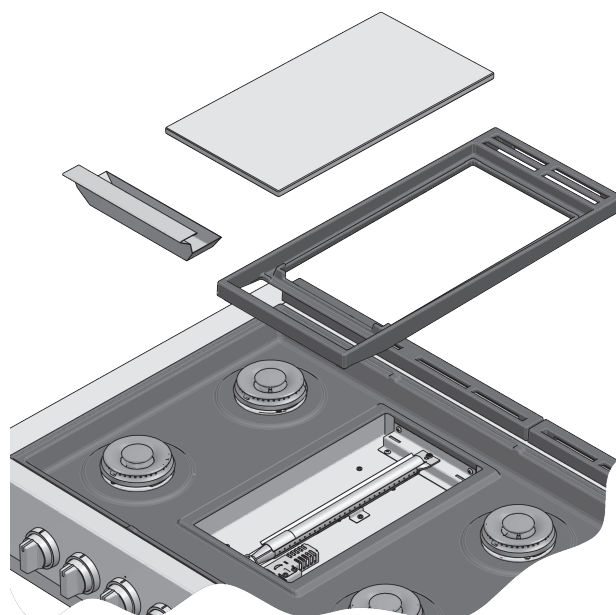
Parte	Método de limpieza
<b>A Cromo plinado</b>	Lave con agua jabonosa caliente. O frote suavemente con esponjillas con Soft Scrub®, Bon-Ami®, Comet®, Ajax®, Brillo® o S.O.S® directamente. Se puede usar los limpiadores de horno Easy Off® o Dow® (fórmula de horno en frío), pero podrían provocar oscurecimientos y decoloración. Se pueden limpiar las rejillas en el horno durante el modo de autolimpieza, pero perderán su acabado brillante y cambiar permanentemente a un gris metálico.
<b>B Fibra de vidrio</b>	NO LIMPIE EL EMPAQUE A MANO.
<b>C Cristal</b>	Eche Spary Windex® o Glass Plus en una tela primero, y luego límpielo. Use Fantastik® o Formula 409® para quitar salpicaduras grasientas.
<b>D Pintura</b>	Limpie con agua jabonosa caliente o aplique Fantastik® o Formula 409® primero a una esponja limpia o una toalla de papel y limpie. Evite el uso de limpiadores en polvo y esponjillas de fibra metálica y detergentes para hornos.
<b>E Porcelana</b>	Limpie de inmediato derrames ácidos como jugos de fruta, leche y jitomate con una toalla seca. No use una esponja/toalla húmeda sobre porcelana caliente. Cuando ya está fría, limpie con agua jabonosa caliente o aplique Bon-Ami® o Soft Scrub® a una esponja húmeda. Enjuague y seque. Para manchas resistentes, use suavemente esponjillas con Brillo® o S.O.S.®. Es normal que la porcelana se agriete (líneas finas) con el tiempo debido a la exposición al calor y a los residuos de comida.
<b>F Cristal reflectante</b>	Limpie con agua caliente jabonosa y una esponja o un estropajo de plástico. Para las manchas de agua, use vinagre, Windex®, amoníaco o Bon-Ami®. NO USE ABRASIVOS DUROS
<b>G Acero inoxidable</b>	Siempre limpie con el grano. Limpie con una esponja jabonosa luego enjuague y seque o limpie con Fantastik® o Formula 409® aplicado a una toalla de papel. Proteja y limpie con Stainless Steel Magic® y un trapo suave. Quite las manchas de agua con un trapo humedecido con vinagre blanco. Use Bar Keeper's Friend® para quitar la decoloración térmica.
<b>H Sonda (si presente)</b>	La limpieza de la sonda ha de realizarse con detergente y agua caliente. Luego enjuague y seque. No ponga a remojo ni meta en el lavavajillas.

Puede limpiar toda la placa de cocción utilizando un paño o esponja embebidos en jabón. Una vez limpia, aclare y seque la superficie. Si queda alguna mancha más resistente, siga alguna de las recomendaciones que encontrará abajo.

**⚠ PELIGRO**

- Antes de limpiar, asegúrese de que los quemadores están apagados y de que las parrillas están frías.
- Utilice siempre un limpiador neutro para limpiar la placa. Utilice también paños suaves, esponjas o papel de cocina limpios.
- Frote el acero inoxidable siguiendo las marcas del acabado de superficie. Seque bien la zona que haya limpiado para evitar que queden marcas de agua.
- No limpie ninguno de los elementos extraíbles de la placa de cocción en un horno con sistema de autolimpieza.
- Una vez haya limpiado todo, vuelva a colocar cada pieza en su lugar antes de volver a utilizar la cocina.

Los productos de limpieza recogidos a continuación han sido seleccionados como recomendación: su inclusión en este documento no constituye en modo alguno una forma de publicidad. Siga las instrucciones de uso de cada producto.

**LIMPIEZA DE LA PLACA DE COCCIÓN****LIMPIEZA DE LA PLACA DE COCCIÓN**

## Placa de Cocción / Productos de Limpieza Aconsejados

Partes y materiales	Productos aconsejados	Sugerencias y recordatorios
<b>Base del quemador</b> (aleación de aluminio)	Paño húmedo.	Mantenga el inyector de gas limpio: impida que entren productos de limpieza u otros materiales en el orificio del inyector.
<b>Difusor de llama</b> (aleación de aluminio)	Detergente y agua caliente. Aclarar y secar. Cepillo de dientes con cerdas de nailon para limpiar los orificios.  Limpiadores abrasivos: limpia metales revereware® metal polish. Siga las instrucciones del envase Utilice Brillo® o S.O.S.®. Aclare y seque.	Frote suavemente con movimientos circulares. Los limpiadores para aluminio pueden apagar el brillo de la superficie.  Para limpiar el orificio del difusor, utilice un cepillo de dientes o un clip abierto.
<b>Difusor de gas</b> (Latón)	Lávelos en agua caliente con jabón, aclare y seque. Use un cepillo de nylon rígido o clip de papel con la punta recta para limpiar las ranuras del propagador de llama.	Frote suavemente con movimientos circulares. Los limpiadores para latón pueden apagar el brillo de la superficie. Para limpiar el orificio del difusor, utilice un cepillo de dientes o un clip abierto.
<b>Tapas de los quemadores y parrillas</b> (porcelana esmaltada sobre hierro fundido)	Limpiadores no abrasivos: agua caliente y detergente, Fantastic, Formula 409. Aclare y seque de inmediato. Limpiadores abrasivos suaves: Bon Ami® y Soft Scrub®. Limpiadores abrasivos para manchas rebeldes: esponjas de lana de acero con jabón.	Las parrillas son pesadas: tenga cuidado al levantarlas y colóquelas en una superficie protegida. Las burbujas, las grietas y las astillas son habituales dadas las extremas temperaturas a las que están expuestas las parrillas y los rápidos cambios de temperatura. Las salpicaduras ácidas y de azúcar deterioran el esmalte. Retire las manchas de inmediato. Los limpiadores abrasivos, si se utilizan de manera demasiado enérgica o demasiado a menudo, pueden acabar dañando el esmalte
<b>Plancha Trilaminar</b> (tres capas de plancha en acero inoxidable / aluminio)	<b>Advertencia: ¡Existe el peligro de quemaduras cuando se limpia una superficie de cocinado que está aun caliente!</b>  Nunca limpie la superficie de cocinado con polvos abrasivos o detergentes agresivos. Limpie la superficie de cocinado con cubos de hielo o agua fría.	<b>Después de Cada Uso:</b>  Apague el aparato y espere hasta que se enfríe a unos 195/215°F (90/100 °C) 20/30min.  Limpie la plancha con un paño seco grueso y fuerte para remover cualquier residuo restante y partículas de alimentos.  Coloque cubos de hielo individuales en la superficie de cocinado uno tras otro, simultáneamente despegue la suciedad con la espátula y elimine el sucio de la plancha y acumúlela en la bandeja de goteo. También puede usar agua fría como alternativa a los cubos de hielo.  Cuando la superficie de cocinado esté fría, las manchas que dejan las claras de huevo o los ácidos de los alimentos se pueden eliminar con jugo de limón y un paño limpio. Enjuague bien con un paño húmedo. Cubra ligeramente con aceite de cocina.  Si la superficie de cocinado ya estaba fría antes de limpiarla, caliéntela a 100 ° C y luego apáguela de nuevo.

Partes y materiales	Productos aconsejados	Sugerencias y recordatorios
<b>Acabado exterior</b> (porcelana esmaltada)	Agua caliente con jabón. Aclare y seque bien. Limpiadores no abrasivos: amoníaco, Fantastic, Formula 409. Aclare y seque de inmediato. Limpiadores abrasivos suaves: Bon Ami®, Ajax® y Comet®. Limpiadores líquidos: Kleen King®, Soft Scrub®.	Las salpicaduras ácidas y de azúcar deterioran el esmalte. Limpie las manchas de inmediato. No utilice esponjas o paños húmedos en la porcelana caliente. Aplique siempre los limpiadores abrasivos de forma suave, sin ejercer mucha presión
<b>Mandos de control</b> (acero inoxidable)	Agua caliente con jabón. Aclare y seque bien. Si es necesario, retire los mandos (tirando de ellos hacia arriba).	No moje los mandos. No utilice productos de limpieza o estropajos abrasivos. No fuerce los mandos. Para extraer los mandos, tire de ellos hacia arriba, de forma perpendicular al panel en el que se alojan. Cuando vuelva a colocar los mandos en su lugar, asegúrese de que los coloca en la posición de APAGADO. No extraiga los precintos que hay debajo de los mandos
<b>Acabado exterior</b> (acero inoxidable)	Limpiadores no abrasivos: agua caliente y detergente, Fantastic®, Formula 409. Aclare y seque de inmediato. Abrillantador Stainless Steel Magic® para proteger el acabado de manchas y marcas y mejorar su aspecto. Marcas de cal: vinagre blanco de cocina. Limpiadores abrasivos suaves: Kleen King® stainless steel liquid cleaner, Cameo® aluminium & stainless steel, Bon Ami®. Para decoloración por calor: Bar Keepers Friend®.	El acero inoxidable es muy resistente a la mayoría de las manchas de comida y a las rayaduras, siempre y cuando la superficie se mantenga limpia y protegida. No permita que las manchas de comida o sal permanezcan durante mucho tiempo sobre el acero inoxidable. Frote con suavidad siguiendo la dirección del acabado del acero. El cloro o los compuestos de cloro son corrosivos para el acero inoxidable. Compruebe los componentes de sus productos de limpieza antes de utilizarlos. Aplique los limpiadores abrasivos ejerciendo la mínima presión posible.
<b>Encendedores</b> (cerámica)	Límpielos cuidadosamente con un poco de algodón humedecido con agua, amoníaco o Fórmula 409®. Raspe con cuidado la suciedad con un mondadientes.	Evite utilizar demasiada agua para limpiar el encendedor. Un encendedor húmedo no conseguirá encender el quemador. Retire cualquier hilo de algodón que pueda quedar después de la limpieza.
<b>Bandeja de goteo</b> (acero inoxidable)	<b>Deje que la placa de cocción se enfríe antes de limpiar.</b> Retire, vacíe, y limpie la bandeja recogegotas.	Limpie la bandeja recogegotas con agua jabonosa tibia. Limpie el área debajo de la bandeja recogegotas. Una vez seca, coloque la bandeja recogegotas de nuevo en su posición. Bandeja recogegotas de grasa de acero inoxidable apta para lavavajillas.

Antes de llamar y solicitar el servicio, controle lo siguiente para evitar cargas de servicio innecesarias.

Problema del horno	Pasos para resolver los problemas
F03 o F04 aparecen en la pantalla	Ocurrió un problema con el bloqueo. Apague la corriente y vuelva a encenderla después de unos segundos. El horno debe realizar una autopruueba de bloqueo. Si la condición sigue igual, anote el número del código y llame a un centro de servicio autorizado.
Aparece un error F15 o F16 o F17 en la ventana de visualización	<p>Se produce un código de error si la posición de la perilla del modo de cocción se dejó entre OFF y SELF-CLEAN o entre DEFAULT / PRESET y SELF CLEAN en la perilla selectora de temperatura durante 30 segundos o más. F15 está relacionado con el horno derecho o superior y F16 está relacionado con el horno izquierdo o inferior (según modelo). Gire todas las perillas del horno en la posición de APAGADO, luego desconecte la energía (desenchufe o apague el disyuntor) y vuelva a encenderlo después de unos segundos. Si la condición persiste con las perillas en la posición de APAGADO, anote el número de código y comuníquese con el servicio.</p> <p>F17 aparece después de que apareció el error F15 porque F17 es solo una extensión de F15.</p> <p>Para F17 gire todas las perillas del horno en la posición de APAGADO, luego desconecte la energía (desenchufe o apague el disyuntor) y vuelva a encenderlo después de unos segundos. Si la condición persiste con las perillas en la posición de APAGADO, anote el número de código y comuníquese con el servicio.</p>
Otro error_F aparece en la pantalla	Apague la corriente y vuelva a encenderla después de unos segundos. El horno debe realizar una autopruueba de bloqueo. Si la condición sigue igual, anote el número del código y llame a un centro de servicio autorizado.
La pantalla del horno se queda apagado	Apague la corriente general (caja de fusibles o cortocircuito). Vuelva a conectar el circuito. Si la condición sigue igual, llame el centro de servicio autorizado.
El ventilador de enfriamiento sigue funcionando después de apagar el horno	Esto es normal. El ventilador se apaga automáticamente cuando los componentes electrónicos se hayan enfriado suficientemente.
La puerta del horno está cerrada y no se abre, aún estando fría	Apague el horno en el cortacircuito y espere unos segundos. Vuelva a conectar el circuito. El horno debe reiniciarse y se podrá operar.
El horno no calienta	Revise el cortacircuito o la caja de fusibles en su casa. Asegúrese de que hay una alimentación eléctrica correcta para el horno. Asegúrese de haber seleccionado la temperatura del horno.
El horno no cocina de un modo uniforme	Revise la calibración del horno. Ajuste la calibración si es necesario (vea Compensación de la Temperatura del Horno, Pág. 15). Consulte las tablas de cocinar para las posiciones recomendadas de rejillas. Siempre reduzca la temperatura de recetas 25 °F (15 °C) cuando hornea con el modo de horneado de convección.
La temperatura del horno está muy alta o muy baja	Se debe ajustar el termostato del horno. Vea Calibrar la Temperatura del Horno, Pág. 15.
Las luces del horno no funcionan correctamente	Reemplace o reinserte el foco si está flojo o defectuoso. Vea la Pág. 32. La bombilla se puede quemar si lo toca con los dedos.
La luz del horno se queda encendida	Compruebe si hay obstrucciones en la puerta del horno. Compruebe si la bisagra está doblada o el cerrojo de la puerta está roto.
No se puede quitar la cubierta del lente	Puede haber sólidos acumulados alrededor de la cubierta. Limpie el área del lente con una toalla seca y limpia antes de tratar de quitar la cubierta de la lente.
El horno no se autolimpia bien	Permita que el horno se enfríe antes de ejecutar la autolimpieza. Siempre elimine suciedades sueltas o derrames pesados antes de la autolimpieza. Si el horno está muy sucio, configure una autolimpieza de cuatro horas. Vea Autolimpieza del Horno, Pág. 29.
El reloj y cronómetro no funcionan bien	Asegúrese de que la corriente eléctrica sea correcta para el horno. Vea las secciones sobre Reloj y Temporizador, Páginas 14.
Hay mucha humedad	Cuando utiliza el modo de hornear debe precalentar el horno. El horneado de convección elimina cualquier humedad en el horno (esta es una de las ventajas de la convección).
Astillas de porcelana	Al quitar y reemplazar las rejillas del horno, siempre debe inclinarlas hacia arriba y no forzarlas para evitar astillar la porcelana.

<b>Problema del horno</b>	<b>Pasos para resolver los problemas</b>
<b>La ignición no funciona</b>	
Está la placa bien enchufada?	Enchufe el aparato a un enchufe con toma de tierra.
Ha revisado los fusibles y ha comprobado que no haya saltado ningún diferencial?	Sustituya los fusibles de la caja general o compruebe si se ha disparado el automático o un diferencial en la caja general de entrada.
<b>Los quemadores no funcionan</b>	
Es la primera vez que utiliza los quemadores?	Gire cualquiera de los mandos para liberar aire de los conductos de gas.
Los mandos están bien colocados?	Presione los mandos antes de girarlos.
Están obstruidas las ranuras de los quemadores?	Lea la sección "Los quemadores".
<b>Las llamas de los quemadores son irregulares, amarillas o hacen ruido</b>	
Están obstruidas las ranuras de los quemadores?	Lea la sección "Los quemadores".
Están bien colocadas las tapas de los quemadores?	Lea la sección "Los quemadores".
Está utilizando gas propano?	Puede que la placa de cocción no haya sido adaptada de forma correcta. Llame al servicio técnico.
<b>El quemador hace ruidos como chasquidos</b>	
Están mojados o húmedos?	Deje que se sequen.
Están las tapas y el difusor de llama bien colocados?	Asegúrese de que están bien alineados. Lea la sección "Los quemadores".
Es el recipiente de cocción mucho más grande que el espacio de la rejilla asignado?	Retirar el recipiente temporalmente. Si cesa el ruido, volver a poner el recipiente ya que se debe a que el recipiente es de mayor tamaño. Puede seguir cocinando con el recipiente, pero el ruido continuará hasta que se complete la cocción.
<b>Hay demasiado calor alrededor de la sartén</b>	
La sartén es del tamaño adecuado?	Utilice una sartén u olla aproximadamente del mismo diámetro del de la superficie de la zona de cocción. El diámetro de la llama no debe superar el del recipiente y el recipiente no debe sobresalir más de 2,5 cm de la zona de cocción.
<b>Los resultados no son los que cabía esperar</b>	
Está utilizando los recipientes adecuados?	Lea la sección "Recipientes de cocina".
La intensidad del quemador está graduada correctamente?	Lea la sección "Uso de los mandos".

Antes de ponerse en contacto con el servicio de asistencia técnica, lea la sección "Solución de problemas".

Puede que hacerlo le ahorre la llamada. Si no encuentra la solución a su problema en esta sección, siga las instrucciones que encontrará más abajo.

Cuando llame al servicio de asistencia, tenga a mano los siguientes datos: fecha de compra, referencia completa del modelo y número de serie de su placa de cocción. Esa información nos ayudará a atenderle.

## Registro de datos para el servicio

**Cómo obtener servicio** Para información sobre servicio autorizado o refacciones, ver el "GARANTÍA para electrodomésticos".

Para la ubicación de etiquetas de serie vea la página 8. Ahora es un buen momento para anotar esta información en el espacio proporcionado abajo. Guarde su factura para validar la garantía.

Service Data Record
Número del Modelo _____
Número de Serie _____
Fecha de instalación y ocupación _____







# SOFIA

PROFESSIONAL COLLECTION



SOFIA PLATE CODE

PERSONALIZE YOUR COMPLIMENTARY NAMEPLATE  
USE THE PRODUCT CODE TO ACCESS OUR WEB APP

**FULGOR**  
MILANO

YOUR LIFE | OUR PASSION

[www.fulgor-milano.com/us](http://www.fulgor-milano.com/us)

09FL9912 ed 05/2023