

# MONOGRAM 30" SMART HEARTH OVEN

ZEP30BPB1



## HANDCRAFTED LUXURY

Can be found in every aspect of the design, from the brushed stainless exterior to the simple touch controls

## BRICK OVEN PERFORMANCE

Each electric hearth oven is handcrafted to capture the performance of a wood-fired brick oven and perfectly prepare Neapolitan-style pizzas, soft artisanal bread or a whole roasted branzino

## ELECTRIC HEATING ZONES

Combine the crisping performance of traditional coal- and wood-burning hearth ovens with the precision and ease of a luxury appliance

## CAPACITIVE TOUCH LCD CONTROLS

Allow for easy selection of preset cooking options

## BUILT-IN INSTALLATION

Is made possible with a 30"-width cabinet cutout

## INTEGRATED OVEN VENTILATION SYSTEM

Allows for simple installation, with no additional ductwork required

This hearth oven is intended for indoor installation only



**SPECIFICATIONS**

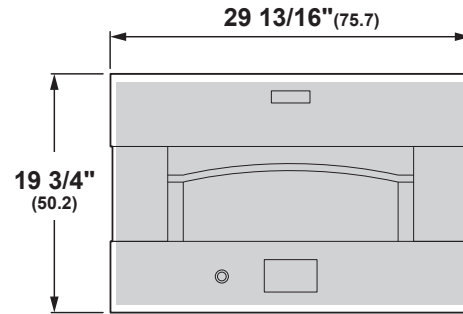
Overall Width	29 13/16" (75.7 cm)
Overall Height	19 3/4" (50.2 cm)
Overall Depth	28 7/16" (72.2 cm)
Overall Oven Interior Capacity	1.45 cu. ft.
Oven Interior Dimensions (W x D)	19.38" x 17.88" (49.2 x 45.4 cm)
Minimum Cabinet Width	30" (76.2 cm)
Minimum Cabinet Depth	23" (58.4 cm)
Minimum Base Support	200 lbs. (90 kg)
Cutout Width	28 1/2" (72.4 cm) Min 28 5/8" (72.7 cm) Max
Cutout Height	18 3/8" (46.6 cm) Min 18 7/16" (46.8 cm) Max
Cutout Depth	23" (58.4 cm) Min
Volts/Hertz/Amps	240/208 V AC, 60 Hz, 50A
Conduit Length	43"
Electrical Rating	10.4 kW at 208V 12.0 kW at 240V
Shipping Weight	275 lbs. (124.7 kg)

**ATTENTION ELECTRICIAN:**

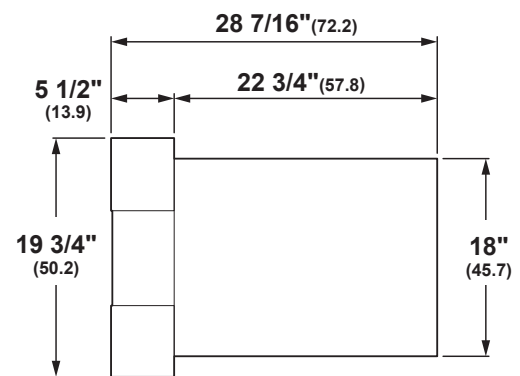
A 240/208V, 60Hz, 50 Amp circuit is required. An individual properly grounded branch circuit or circuit breaker is required. Hardware junction box is required for built-in product.

This hearth oven is intended for indoor installation only.

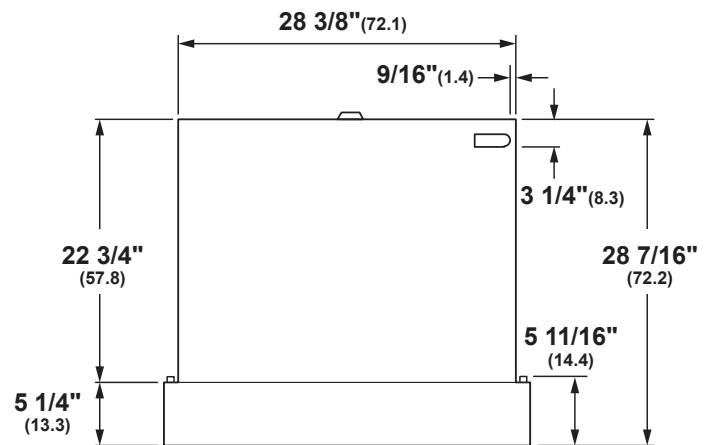
**OVERALL DIMENSIONS**



**FRONT VIEW**



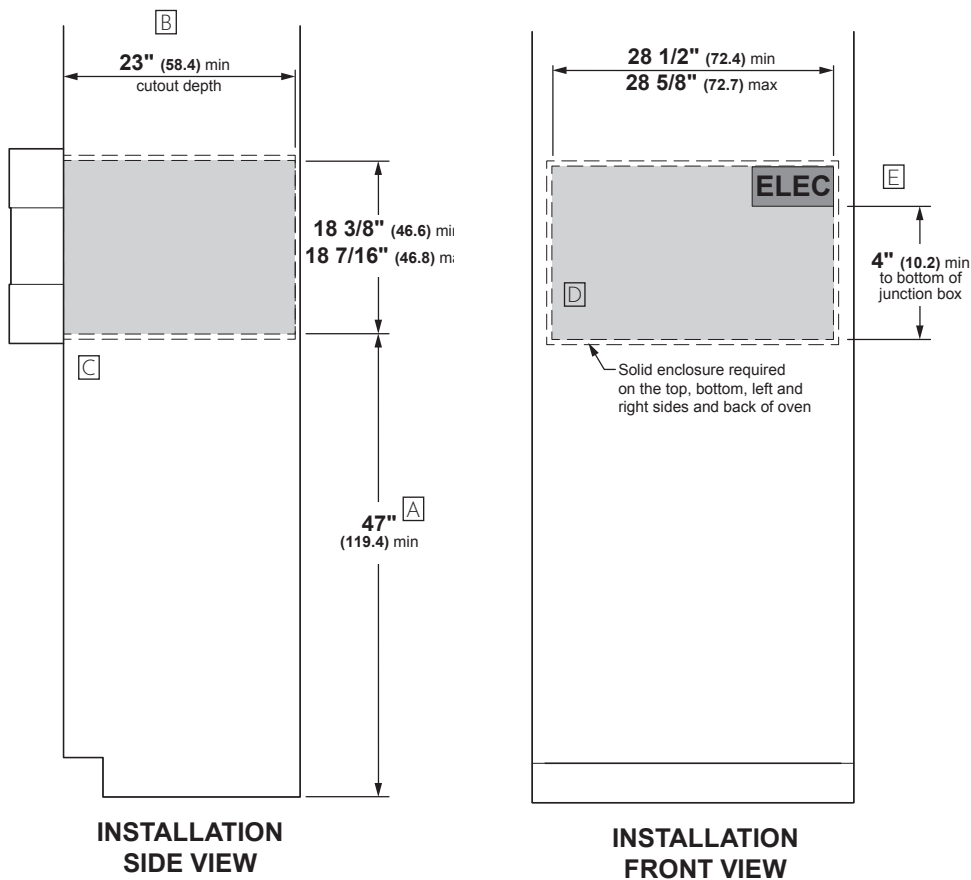
**SIDE VIEW**



**TOP VIEW**

Dimensions in parentheses are in centimeters unless otherwise noted. Actual product dimensions may vary due to manufacturing tolerances.

## WALL INSTALLATION



## HELPFUL TIPS

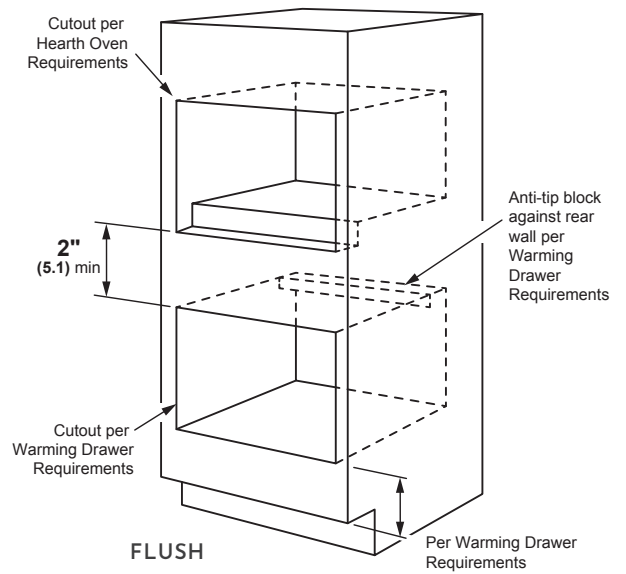
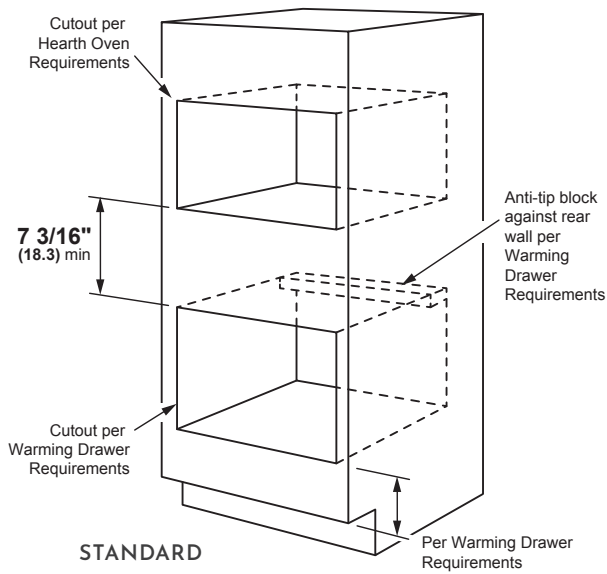
- A** 47" is the required minimum installation height. Oven may be installed higher based on owner preference.
- B** Back of standard-depth cabinet may need to be removed to install oven at correct depth. Drywall is acceptable as back enclosure.
- C** Platform must be able to support 200 lbs (90 kg)
- D** Solid enclosure required on the top, bottom, left and right sides and back of oven
- E** Junction box location (May also be located in adjacent cabinet)

This hearth oven is intended for indoor installation only.

For more details, refer to the installation instructions for this product on [Monogram.com](http://Monogram.com). Dimensions in parentheses are in centimeters unless otherwise noted.

## INSTALLATION OVER A WARMING DRAWER

NOTE: Refer to label for approved models that can be installed below the oven



## INSTALLATION WALL OVEN

NOTE: Refer to label for approved models that can be installed below the oven

