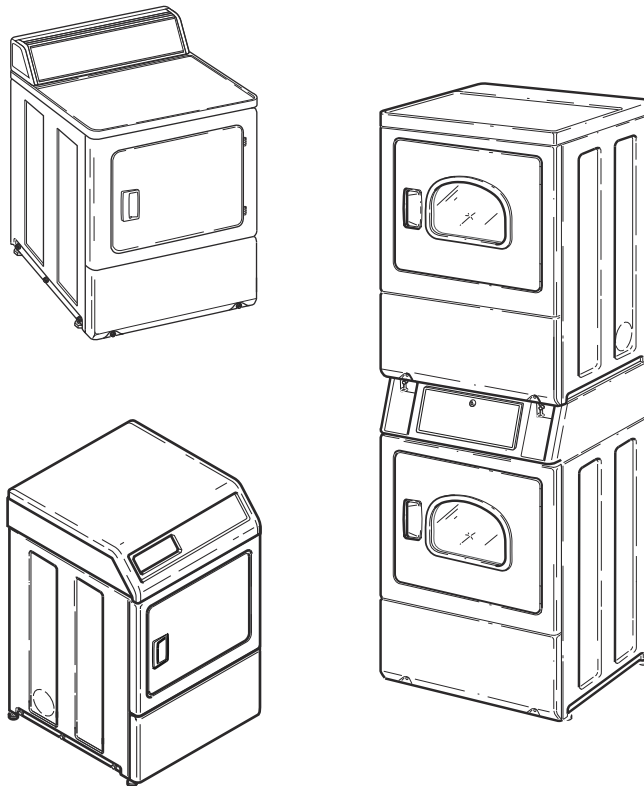


Dryers

Homestyle

Models Through Serial No. 1912999999

Refer to Page 3 for Model Numbers



DRY726C_515156

Table of Contents

Title	Page
Parts Ordering Information.....	2
Serial Plate Location	2
Model Identification	3
Control Panel and Controls - Rear Control	4
Control Panel and Controls - Front Control (Drawing 1 of 2)	6
Control Panel and Controls - Front Control (Drawing 2 of 2)	8
Control Panel and Controls - Stacked Models	10
Loading Door - With Window	12
Loading Door - Without Window	14
Access Panel, Front Panel and Seal	16
Motor, Exhaust Fan and Belt (Drawing 1 of 2).....	18
Motor, Exhaust Fan and Belt (Drawing 2 of 2).....	20
Front Bulkhead and Cylinder	22
Air Duct	24
Lint Filter	26
Rear Bulkhead, Felt Seal, Cylinder Roller and Terminal Block.....	28
Heater Duct and Element Assembly	30
Heater Duct Assembly	32
Gas Valve, Igniter and Gas Conversion Kits Gas Models Through Serial No. 1908000001	34
Gas Valve, Igniter and Gas Conversion Kits Gas Models Starting Serial No. 1908000001	36
Cabinet, Exhaust Duct and Base - Single Dryers (Drawing 1 of 2).....	38
Cabinet, Exhaust Duct and Base - Single Dryers (Drawing 2 of 2).....	40
Cabinet, Exhaust Duct and Base - Stacked Dryers (Drawing 1 of 2).....	42
Cabinet, Exhaust Duct and Base - Stacked Dryers (Drawing 2 of 2).....	44
Lead-In Cord	46
Power Cord and Junction Box	48
Terminal Block and Terminals	50
Terminals	52
Terminals and Terminal Extractor Tools	54
Wire Harnesses and Wires - Gas Stack Models.....	56
Wire Harnesses and Wires - Electric Stack Models.....	58
Wire Harnesses and Wires - Gas Front Control Single Models.....	60
Wire Harnesses and Wires - Electric Front Control Single Models.....	62
Wire Harnesses and Wires - Rear Control Single Models	64
Parts Index.....	67

© Copyright 2023, Alliance Laundry Systems LLC

All rights reserved. No part of the contents of this book may be reproduced or transmitted in any form or by any means without the expressed written consent of the publisher.

Parts Ordering Information

If literature or replacement parts are required, contact the source from whom the machine was purchased or contact Alliance Laundry Systems at (920) 748-3950 for the name and address of the nearest authorized parts distributor.

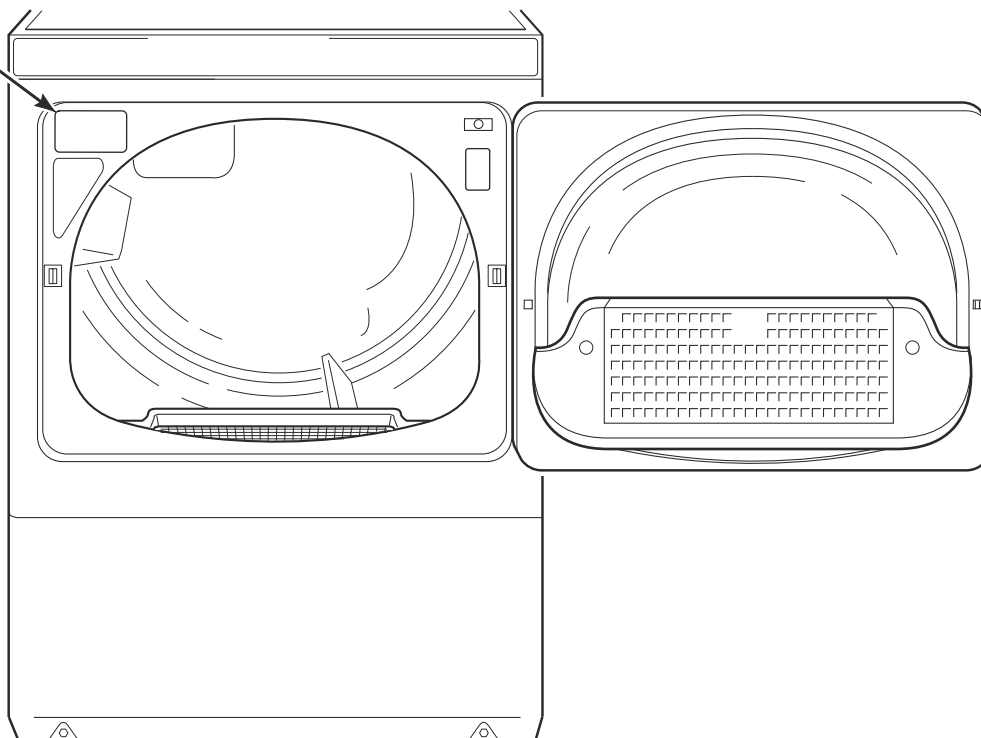
For technical assistance, call the number listed below:

(920) 748-3121 Ripon, Wisconsin

Serial Plate Location

When calling or writing about your product, be sure to mention model and serial numbers. Model and serial numbers are located on serial plate(s) as shown.

SERIAL PLATE



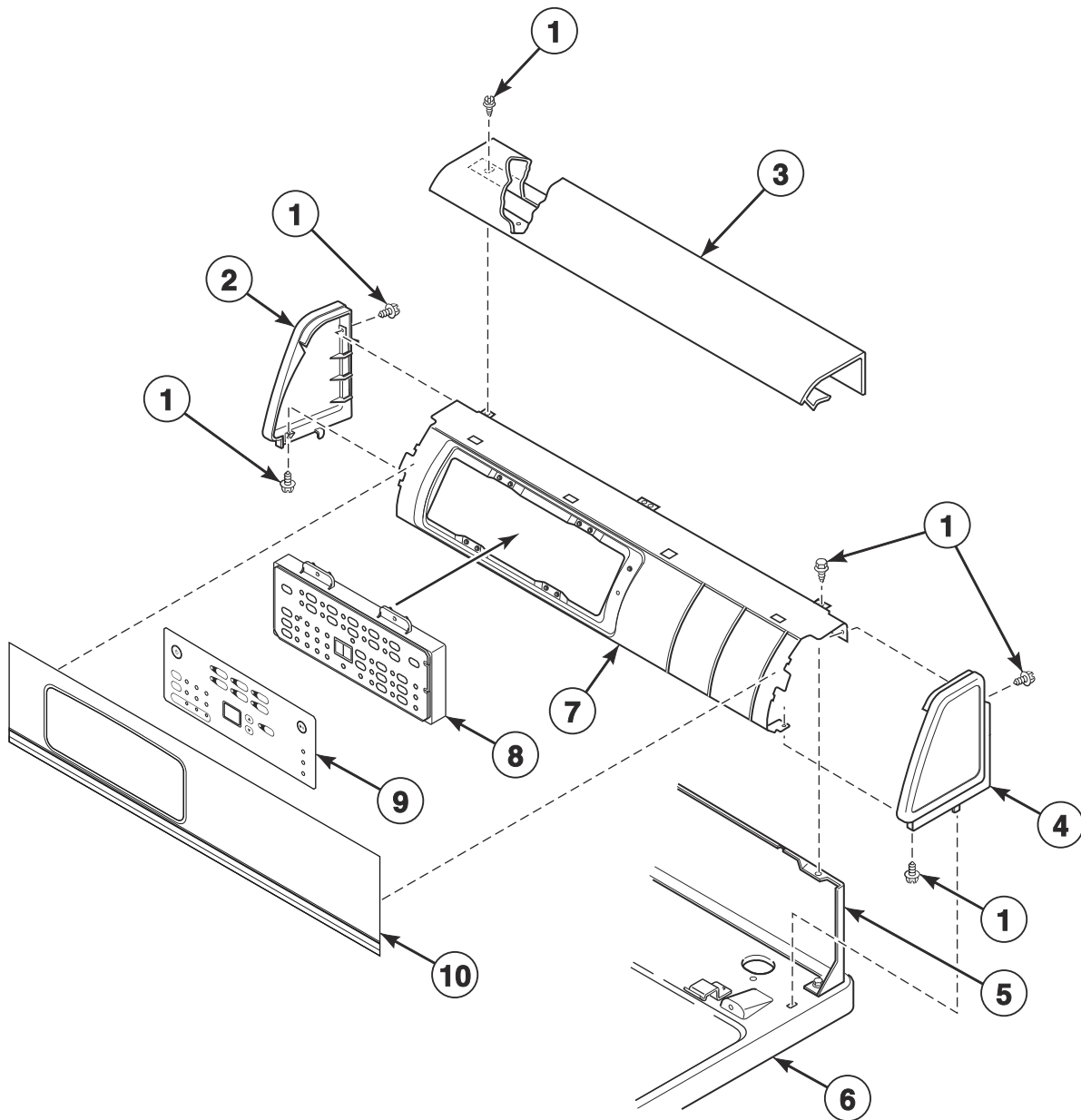
DRY2283P_515156

Model Identification

Information in this manual is applicable to these dryer models:

BDEE6BGS173CW01	LDLE5BGS303LW01	PDEE3BGS173TG01
BDEE6BGS173TW01	LDLE5BGS303NW26	PDEE3BGS173TW01
BDGE6BGS113CW01	LDLE7RGS303LW26	PDEE4RGS173TG01
BDGE6BGS113TW01	LDLE7RGS303NW26	PDEE4RGS173TW01
FDEE5BGS543MW01	LDLE7RWS303NW26	PDGE3BGS113TG01
FDEE7BGS173MW01	LSEA5FGS153TW01	PDGE3BGS113TW01
FDGE5BGS113MW01	LSEA5FGS153TW04	PDGE4RGS113CG01
FDGE5BGS303ZW38	LSEA5FGS173TW01	PDGE4RGS113TG01
FDLE5BGS123MW01	LSEA5FGS173TW04	PDGE4RGS113TW01
LDEA5RGS173TW01	LSEE5AGS153TW01	UDEE5BGS173CW01
LDEA5RGS173TW04	LSEE5AGS173TW01	UDEE5BGS173CW08
LDEE5BGS153TW01	LSEE5AGW153TW01	UDGE5BGS113TW01
LDEE5BGS173CW01	LSEE5AGW173TW01	YDEE5BGS173CW01
LDEE5BGS173TW01	LSEE5AGW283CW01	YDEE7RGS153CW01
LDEE5FGS173TW01	LSEE5AGW293CW01	YDEE7RGS153TW01
LDEE7RGS153CW01	LSGA5FGS113TW01	YDEE7RGS173CW01
LDEE7RGS173CW01	LSGE5AGS083NW01	YDEE7RGS173TW01
LDEE7RGS173TW01	LSGE5AGS103NW01	YDGE5BGS113CW01
LDEE7RWS173TW01	LSGE5AGS113TW01	YDGE7RGS113CW01
LDGA5RGS113TW01	LSGE5AGW093CW01	YDGE7RGS113TW01
LDGE5BGS113CW01	LSGE5AGW113TW01	YSEE5AGS153TW01
LDGE5BGS113TW01	LSLE5AGS303LW26	YSEE5AGS173TW01
LDGE5RGS113TW01	LSLE5AGS303NW22	YSGE5AGS113TW01
LDGE7RGS113CW01	LSLE5AGS303NW35	
LDGE7RGS113TW01	LSLE5AGW543NW23	
LDGE7RWS113TQ01	LSLE5AGW543ZW01	
LDGE7RWS113TW01		

Control Panel and Controls - Rear Control

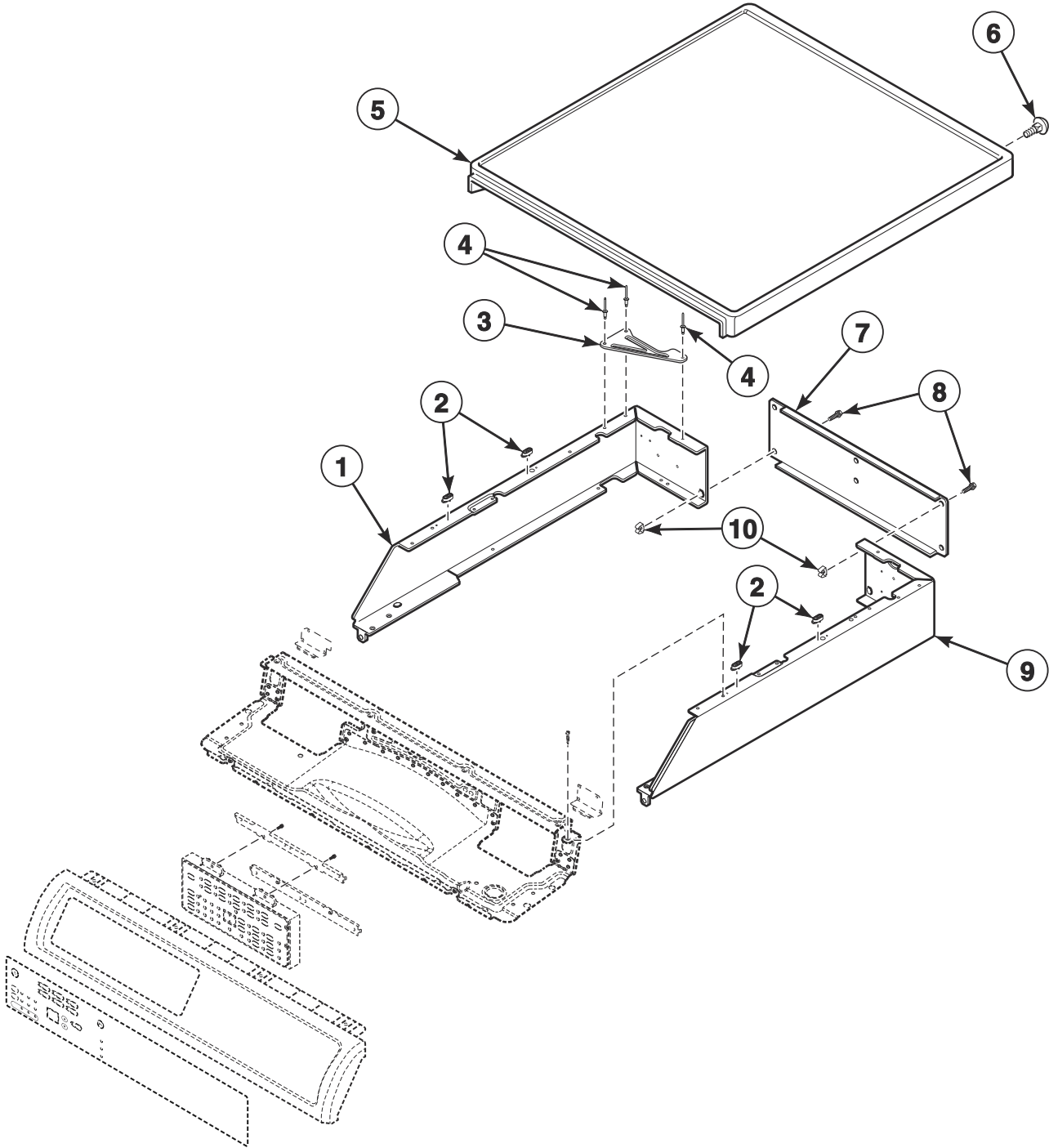


DRY2323P_515156

Control Panel and Controls - Rear Control

REF	PART NO.	DESCRIPTION	COMMENTS
1	D501086	Screw	
2	D504007P	End Panel	Left; Models PDEE4RGS173TG01, PDGE4RGS113CG01 and PDGE4RGS113TG01
	D504009WP	End Panel	Left; All other models
3	D505808DG	Top Cover	Gray; Models PDEE4RGS173TG01, PDGE4RGS113CG01 and PDGE4RGS113TG01
	D505808W	Top Cover	All other models
4	D504006P	End Panel	Right; Models PDEE4RGS173TG01, PDGE4RGS113CG01 and PDGE4RGS113TG01
	D504008WP	End Panel	Right; All other models
5	804169	Hood Back Panel	
6	D510029DG	Top Panel	Models PDEE4RGS173TG01, PDGE4RGS113CG01 and PDGE4RGS113TG01
	D510029WP	Top Panel Kit	All other models
7	804836	Control Support Panel	
8	D515506P	Control Assembly	Includes item 9; Models LDLE7RGS303LW26, LDLE7RGS303NW26, LDLE7RWS303NW26, YDEE7RGS153CW01, YDEE7RGS153TW01, YDEE7RGS173CW01, YDGE7RGS113CW01 and YDGE7RGS113TW01
	D515505P	Control Assembly	Includes item 9; Models LDEE7RGS153CW01, LDEE7RGS173CW01, LDEE7RGS173TW01, LDEE7RWS173TW01, LDGE7RGS113CW01, LDGE7RGS113TW01, LDGE7RWS113TQ01, LDGE7RWS113TW01 and YDEE7RGS173TW01
	D517582	Control Assembly	Models YDEE7RGS153TW01 and YDGE7RGS113TW01
	D515430P	Control Assembly	Models LDEA5RGS173TW01, LDEA5RGS173TW04 and LDGA5RGS113TW01
	D514121P	Control Assembly	Models PDEE4RGS173TG01, PDEE4RGS173TW01, PDGE4RGS113CG01, PDGE4RGS113TG01 and PDGE4RGS113TW01
	D517584	Control Assembly	Model LDGE5RGS113TW01
9	D514191	Control Overlay	Models LDLE7RGS303NW26, LDLE7RWS303NW26, YDEE7RGS153CW01, YDEE7RGS173CW01 and YDGE7RGS113CW01
	D514189	Control Overlay	Models LDEE7RGS153CW01, LDEE7RGS173CW01, LDEE7RGS173TW01, LDEE7RWS173TW01, LDGE7RGS113CW01, LDGE7RGS113TW01, LDGE7RWS113TQ01, LDGE7RWS113TW01, LDLE7RGS303LW26, YDEE7RGS153TW01, YDEE7RGS173TW01 and YDGE7RGS113TW01
	D515082	Overlay	Models LDEA5RGS173TW01, LDEA5RGS173TW04 and LDGA5RGS113TW01
	D515678	Control Overlay	Models PDEE4RGS173TG01, PDEE4RGS173TW01, PDGE4RGS113CG01, PDGE4RGS113TG01 and PDGE4RGS113TW01
	D514188	Control Overlay	Model LDGE5RGS113TW01
10	805448	Graphic Panel	Models YDEE7RGS153CW01, YDEE7RGS153TW01, YDEE7RGS173CW01, YDEE7RGS173TW01, YDGE7RGS113CW01 and YDGE7RGS113TW01
	805406	Graphic Panel	Models LDEA5RGS173TW01, LDEA5RGS173TW04, LDEE7RGS153CW01, LDEE7RGS173CW01, LDEE7RGS173TW01, LDEE7RWS173TW01, LDGA5RGS113TW01, LDGE5RGS113TW01, LDGE7RGS113CW01, LDGE7RGS113TW01, LDGE7RWS113TQ01, LDGE7RWS113TW01, LDLE7RGS303LW26, LDLE7RGS303NW26 and LDLE7RWS303NW26
	805608	Graphic Panel	Models PDEE4RGS173TG01, PDEE4RGS173TW01, PDGE4RGS113CG01, PDGE4RGS113TG01 and PDGE4RGS113TW01

Control Panel and Controls - Front Control (Drawing 1 of 2)

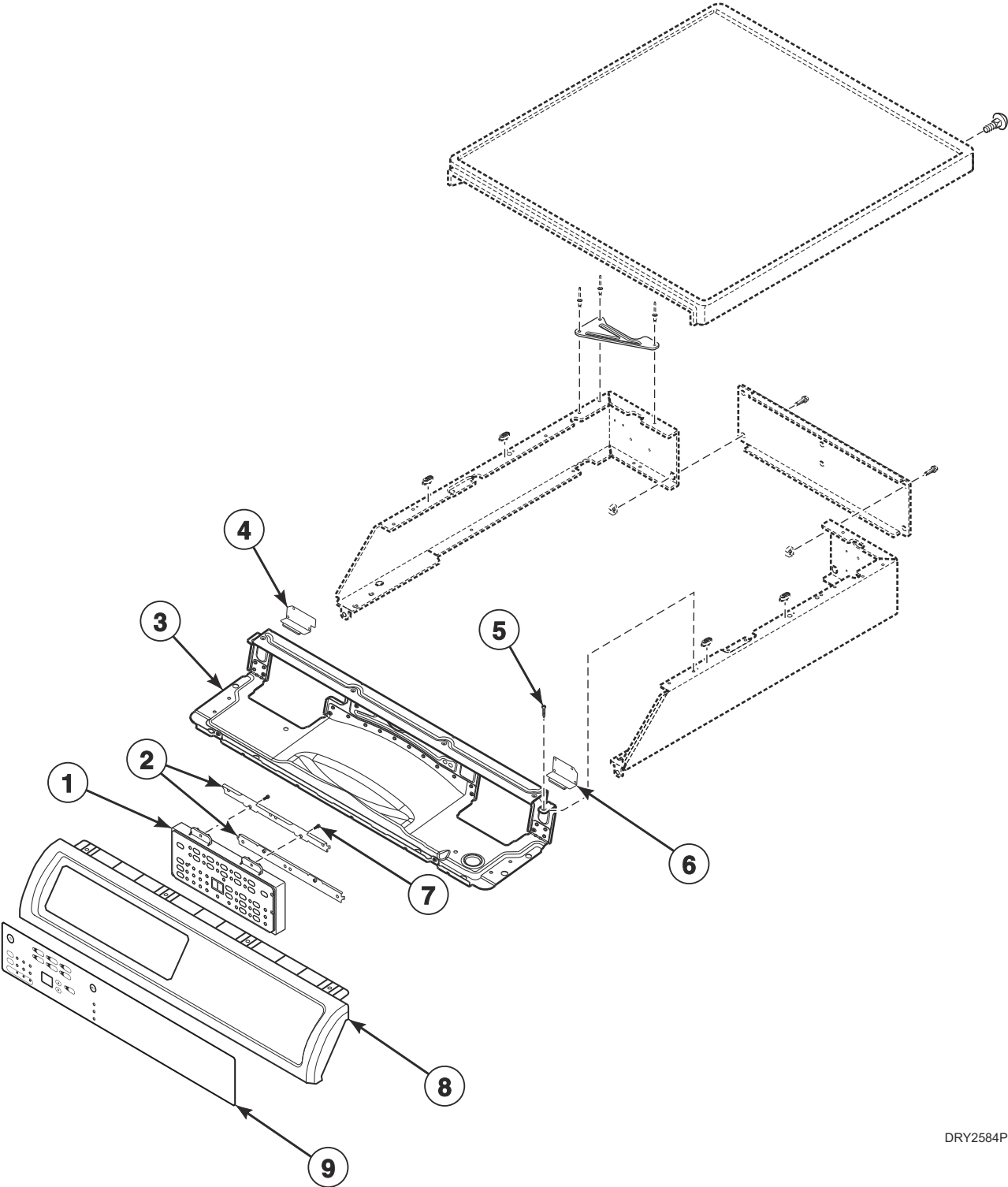


DRY2583P

Control Panel and Controls - Front Control (Drawing 1 of 2)

REF	PART NO.	DESCRIPTION	COMMENTS
1	804627DG	Control Wrapper	Left; Models PDEE3BGS173TG01 and PDGE3BGS113TG01
	800900WP	Control Cabinet Side	Left; Model LDEE5FGS173TW01
	804627W	Control Wrapper	Left; All other models
2	803761	Top Panel Guide	4 required; Use 39733 Screw to attach
3	805345	Rear Wrapper Brace	
4	685847	Pop Rivet	
5	804685DG	Top Panel	White; Models PDEE3BGS173TG01 and PDGE3BGS113TG01
	D510032WP	Top Kit	White; Model LDEE5FGS173TW01
	804685WP	Top Panel	White; All other models
6	D503661	Screw	2 required
7	804614	Rear Access Panel	All models except LDEE5FGS173TW01
	804859	Rear Control Cabinet	Model LDEE5FGS173TW01
8	70240301	Screw	4 required
9	804630DG	Control Wrapper	Right; Models PDEE3BGS173TG01 and PDGE3BGS113TG01
	800915W	Right Control Cabinet Side	Model LDEE5FGS173TW01
	804630W	Control Wrapper	Right; All other models
10	70030501	Expansion Clip	

Control Panel and Controls - Front Control (Drawing 2 of 2)

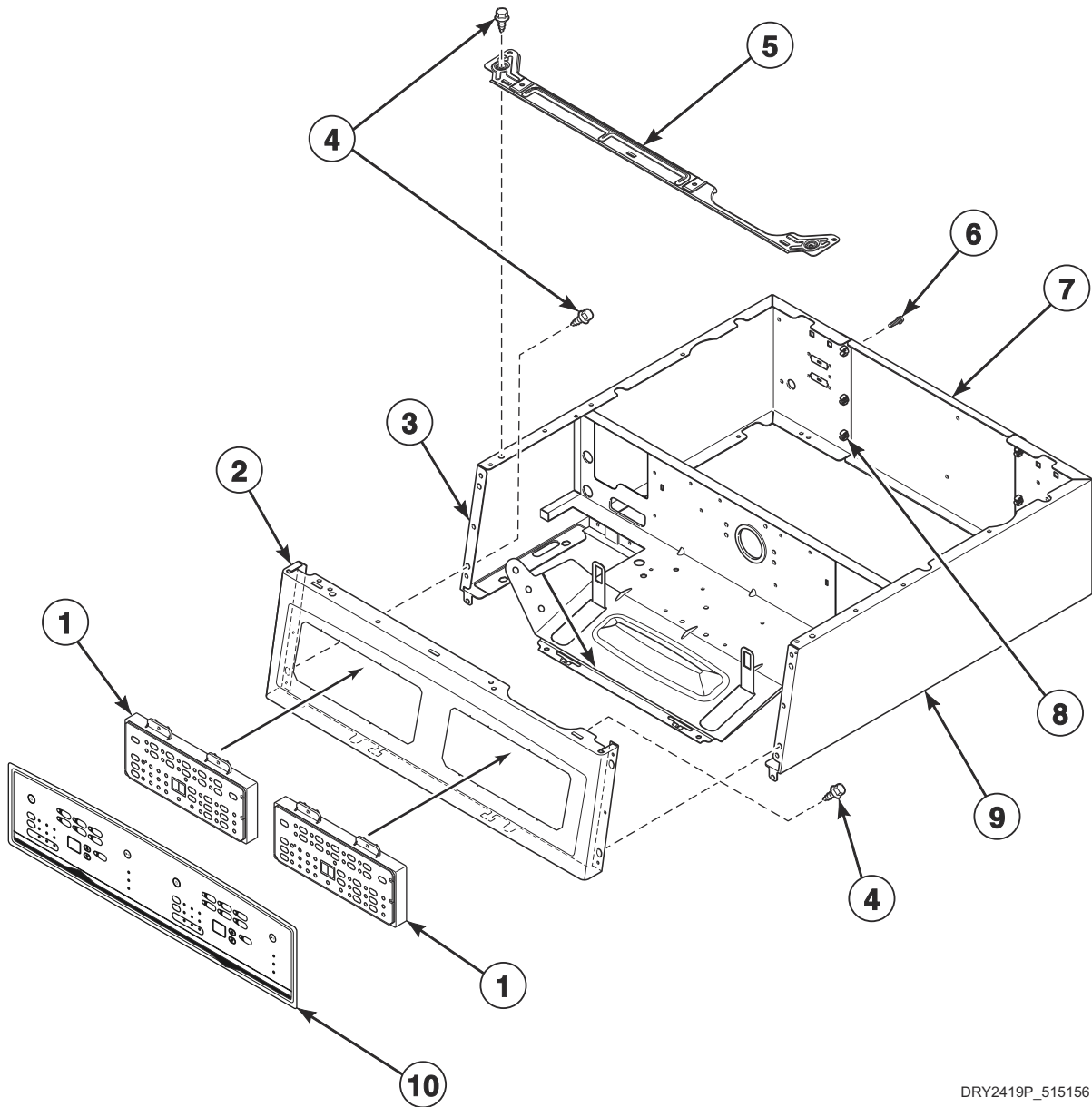


DRY2584P

Control Panel and Controls - Front Control (Drawing 2 of 2)

REF	PART NO.	DESCRIPTION	COMMENTS
1	D514566P	Control	Models BDEE6BGS173CW01, BDEE6BGS173TW01, BDGE6BGS113CW01 and BDGE6BGS113TW01
	D514336P	Control Assembly	Model FDEE7BGS173MW01
	D514565P	Control Assembly	Models FDEE5BGS543MW01, FDGE5BGS113MW01, FDGE5BGS303ZW38, FDLE5BGS123MW01, LDEE5BGS153TW01, LDEE5BGS173CW01, LDEE5BGS173TW01, LDEE5FGS173TW01, LDGE5BGS113CW01, LDGE5BGS113TW01, LDLE5BGS303LW01, LDLE5BGS303NW26, UDEE5BGS173CW01, UDEE5BGS173CW08, UDGE5BGS113TW01, YDEE5BGS173CW01 and YDGE5BGS113CW01
	D514121P	Control Assembly	Models PDEE3BGS173TG01, PDEE3BGS173TW01, PDGE3BGS113TG01 and PDGE3BGS113TW01
2	804611	Control Bracket	2 required
3	804613	Top Panel Brace Assembly	
4	804741	Control Access Panel	Left; Models BDEE6BGS173CW01, BDEE6BGS173TW01, FDEE5BGS543MW01, FDEE7BGS173MW01, LDEE5BGS153TW01, LDEE5BGS173CW01, LDEE5BGS173TW01, LDEE5FGS173TW01, UDEE5BGS173CW01, UDEE5BGS173CW08 and YDEE5BGS173CW01
5	D503688	Screw	
6	804793	Control Access Panel	Right; Models BDEE6BGS173CW01, BDEE6BGS173TW01, FDEE5BGS543MW01, FDEE7BGS173MW01, LDEE5BGS153TW01, LDEE5BGS173CW01, LDEE5BGS173TW01, LDEE5FGS173TW01, UDEE5BGS173CW01, UDEE5BGS173CW08 and YDEE5BGS173CW01
7	804608	Screw	
8	804960	Control Panel Assembly	Models FDEE5BGS543MW01, FDGE5BGS303ZW38, FDLE5BGS123MW01, LDLE5BGS303LW01 and LDLE5BGS303NW26
	805005	Control Panel Assembly	Models PDEE3BGS173TG01 and PDGE3BGS113TG01
	807887	Control Panel	Model LDEE5FGS173TW01
	804659W	Control Panel Assembly	Use 804667 Screw to attach; All other models
9	D514482	Control Overlay	Models BDEE6BGS173CW01, BDGE6BGS113CW01, FDGE5BGS113MW01, FDGE5BGS303ZW38, LDLE5BGS303NW26, UDEE5BGS173CW01, UDEE5BGS173CW08, YDEE5BGS173CW01 and YDGE5BGS113CW01
	D514925	Control Overlay	Models BDEE6BGS173TW01, BDGE6BGS113TW01, LDEE5BGS153TW01, LDEE5BGS173CW01, LDEE5BGS173TW01, LDGE5BGS113CW01, LDGE5BGS113TW01, LDLE5BGS303LW01 and UDGE5BGS113TW01
	D515682	Control Overlay	Models PDEE3BGS173TG01, PDEE3BGS173TW01, PDGE3BGS113TG01 and PDGE3BGS113TW01
	D518712	Control Overlay	Models FDEE5BGS543MW01 and FDLE5BGS123MW01
	D518270	Control Overlay	Model LDEE5FGS173TW01
	D517780	Control Overlay	Model FDEE7BGS173MW01

Control Panel and Controls - Stacked Models



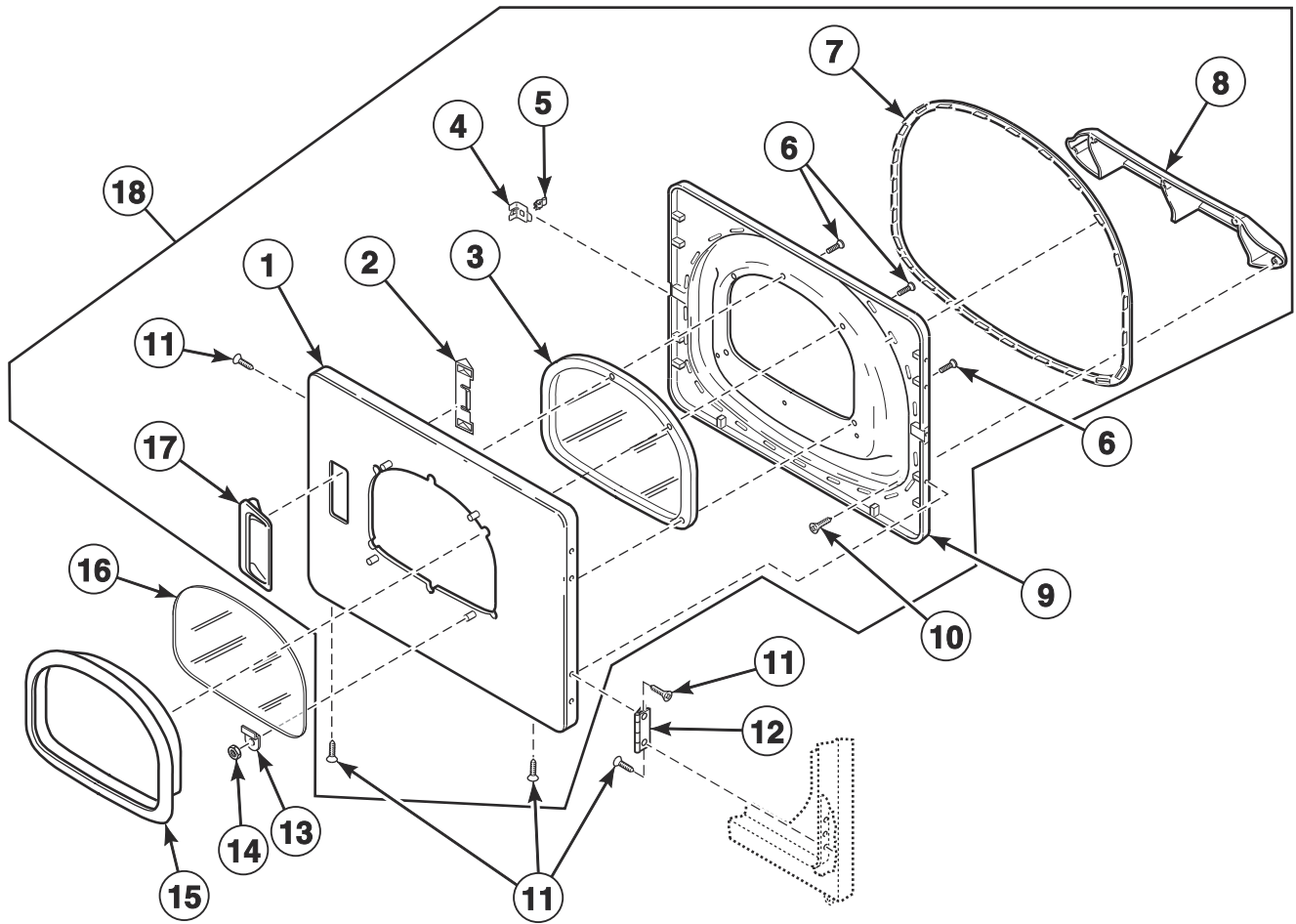
DRY2419P_515156

Control Panel and Controls - Stacked Models

REF	PART NO.	DESCRIPTION	COMMENTS
1	D514565P	Control Assembly	
2	806120W	Control Panel	Models LSEA5FGS153TW01, LSEA5FGS153TW04, LSEA5FGS173TW01, LSEA5FGS173TW04 and LSGA5FGS113TW01
	803960WP	Control Panel	All other models
3	804640W	Control Cabinet	Left; Models LSEA5FGS153TW01, LSEA5FGS153TW04, LSEA5FGS173TW01, LSEA5FGS173TW04 and LSGA5FGS113TW01
4	D503688	Screw	
5	804018	Shield Bracket	
6	70240301	Screw	
7	804859	Rear Control Cabinet	Models LSEA5FGS153TW01, LSEA5FGS153TW04, LSEA5FGS173TW01, LSEA5FGS173TW04 and LSGA5FGS113TW01
	803998	Rear Access Panel	All other models
8	70030501	Expansion Clip	
9	804639W	Control Cabinet	Right; Models LSEA5FGS153TW01, LSEA5FGS153TW04, LSEA5FGS173TW01, LSEA5FGS173TW04 and LSGA5FGS113TW01
	804112W	Wrapper Assembly	All other models
10	D515572	Control Overlay	Models LSEA5FGS153TW01, LSEA5FGS153TW04, LSEA5FGS173TW01, LSEA5FGS173TW04 and LSGA5FGS113TW01
	D514889	Control Overlay	All other models

Loading Door - With Window

Models LSEE5AGW153TW01, LSEE5AGW173TW01, LSEE5AGW283CW01, LSEE5AGW293CW01, LSGE5AGW093CW01, LSGE5AGW113TW01, LSLE5AGW543NW23 and LSLE5AGW543ZW01



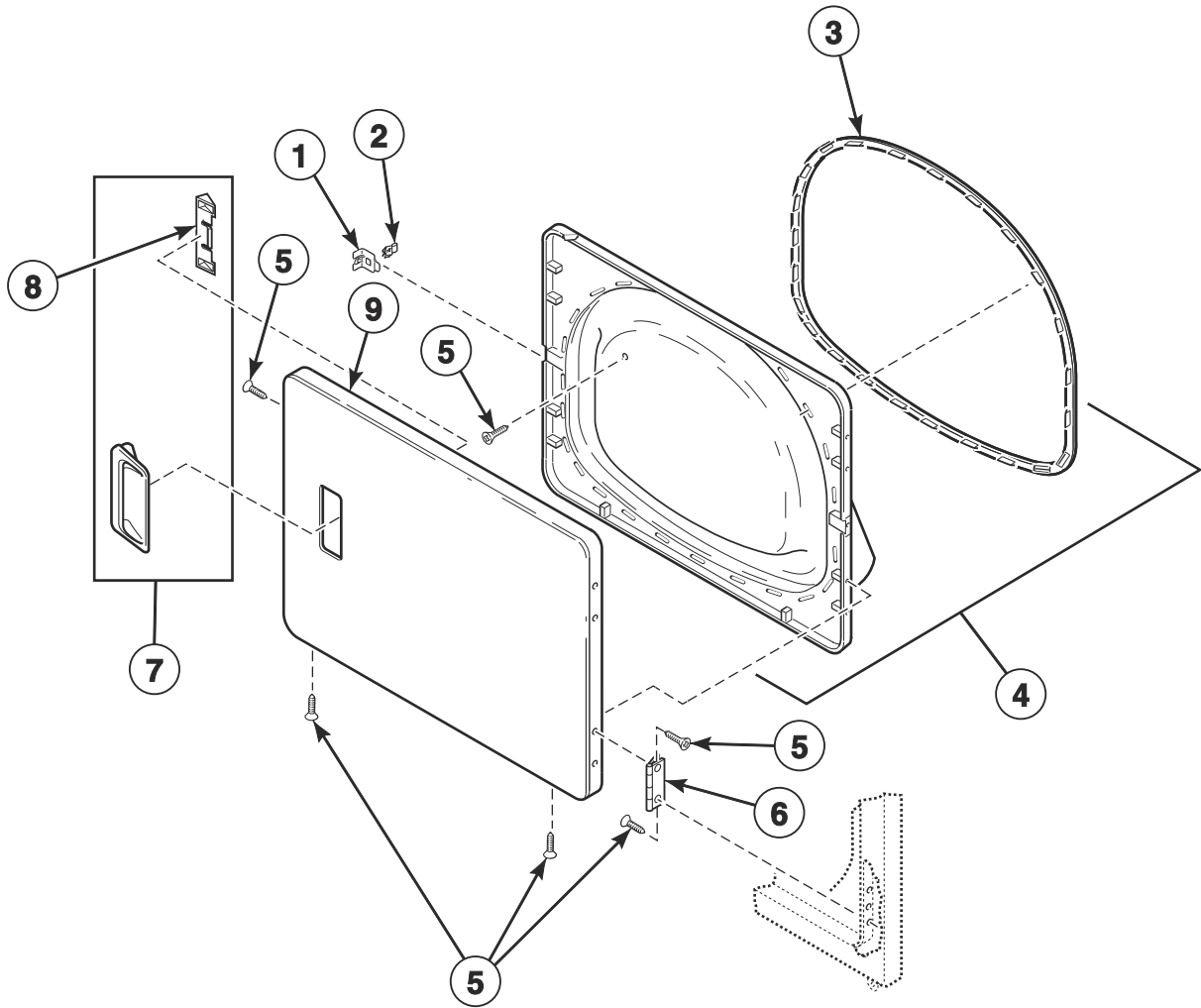
DRY2296P_515156

Loading Door - With Window

REF	PART NO.	DESCRIPTION	COMMENTS
1	D510082WP	Dryer Door	White; Models LSGE5AGW093CW01, LSGE5AGW113TW01, LSLE5AGW543NW23 and LSLE5AGW543ZW01 through Serial Nos. beginning 1707
	D516737W	Door Assembly	All other models through Serial Nos. beginning 1707
	D515961W	Dryer Door	Starting Serial Nos. beginning 1707
2	D510129W	Door Handle Wedge	
3	D503982P	Dryer Door Window	Through Serial Nos. beginning 1707
	D515681	Dryer Door Window	Starting Serial Nos. beginning 1707
4	D510127	Door Strike Mount	Through Serial Nos. beginning 1707
5	D510181	Door Strike	
6	D505870	Screw	Through Serial Nos. beginning 1707
	D515967	Screw	Starting Serial Nos. beginning 1707
7	D510147P	Liner Door Seal	Through Serial Nos. beginning 1707
8	D503870W	Door Liner Grill	Models LSGE5AGW093CW01, LSGE5AGW113TW01, LSLE5AGW543NW23 and LSLE5AGW543ZW01
	D503870LG	Door Liner Grill	All other models
9	D516509	Liner and Seal Assembly	Includes item 7; Models LSGE5AGW093CW01, LSGE5AGW113TW01, LSLE5AGW543NW23 and LSLE5AGW543ZW01 through Serial Nos. beginning 1707
	D516737W	Door Assembly	Includes item 7; All other models through Serial Nos. beginning 1707
	D516509	Liner and Seal Assembly	Includes seal; Starting Serial Nos. beginning 1707
10	D505870	Screw	
11	D500226	Screw	
12	D511036	Hinge	
13	D513958	Window Clip	Models LSEE5AGW153TW01, LSEE5AGW173TW01, LSEE5AGW283CW01 and LSEE5AGW293CW01 through Serial Nos. beginning 1707
14	44071201	Nut	Models LSEE5AGW153TW01, LSEE5AGW173TW01, LSEE5AGW283CW01 and LSEE5AGW293CW01 through Serial Nos. beginning 1707
15	D503981W	Window Trim	White; Models LSGE5AGW093CW01, LSGE5AGW113TW01, LSLE5AGW543NW23 and LSLE5AGW543ZW01 through Serial Nos. beginning 1707
	D516737W	Door Assembly	All other models through Serial Nos. beginning 1707
	D515956W	Window Trim	Starting Serial Nos. beginning 1707
16	D516737W	Door Assembly	Models LSEE5AGW153TW01, LSEE5AGW173TW01, LSEE5AGW283CW01 and LSEE5AGW293CW01 through Serial Nos. beginning 1707
17	D510103WP	Door Pull and Wedge Kit	White; Includes item 2
18	D516737W	Door Assembly	White; Includes items 1-3, 5-11 and 17

Loading Door - Without Window

All Models Except LSEE5AGW153TW01, LSEE5AGW173TW01, LSEE5AGW283CW01,
LSEE5AGW293CW01, LSGE5AGW093CW01, LSGE5AGW113TW01,
LSLE5AGW543NW23 and LSLE5AGW543ZW01

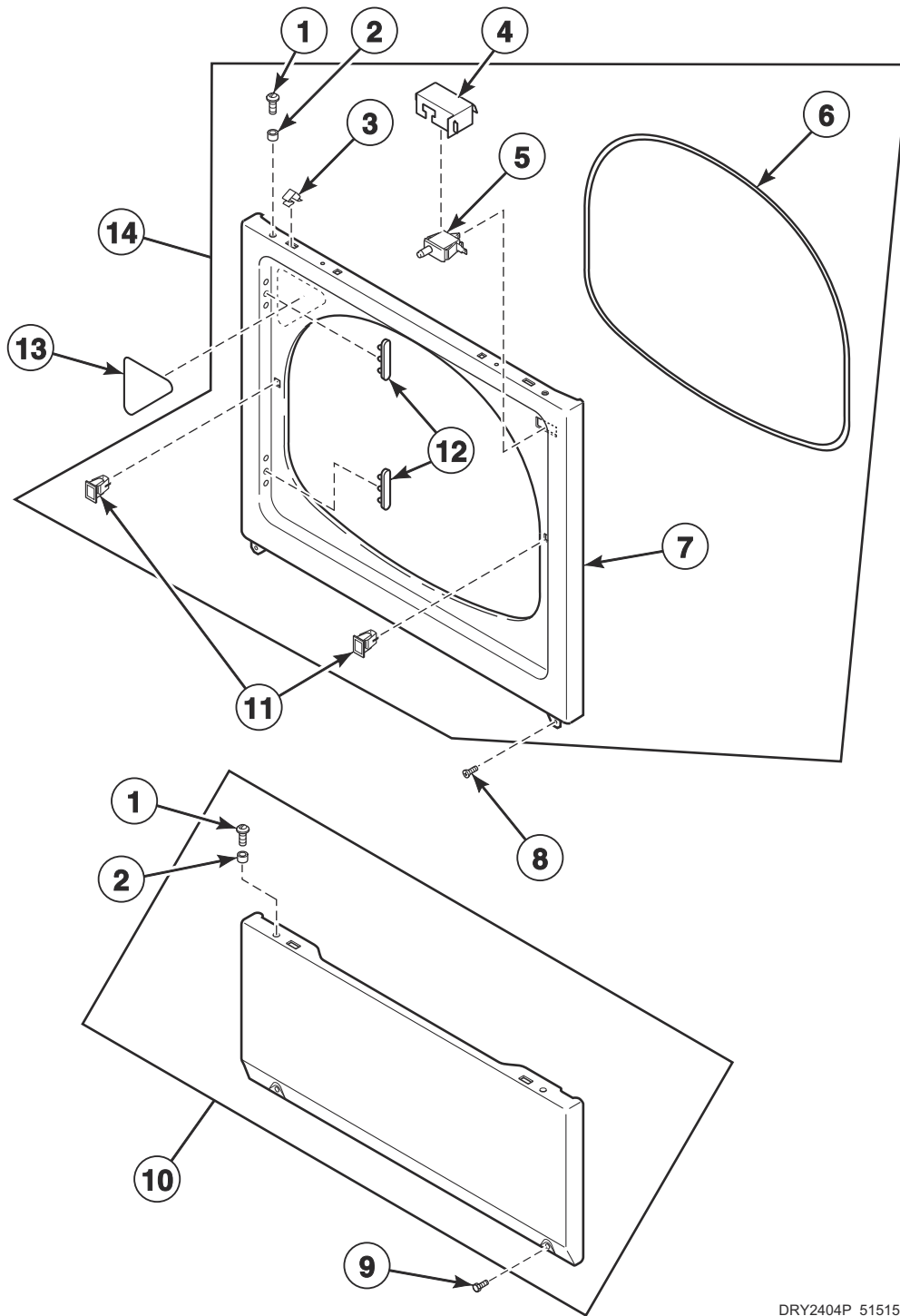


DRY1784P_515156

Loading Door - Without Window

REF	PART NO.	DESCRIPTION	COMMENTS
1	D510127	Door Strike Mount	Through Serial Nos. beginning 1707
2	D510181	Door Strike	
3	D510147P	Liner Door Seal	Through Serial Nos. beginning 1707
4	D510163WP	Liner, Seal and Grill Assembly	Includes item 3; Gas models; Through Serial Nos. beginning 1707
	D516510WP	Door Assembly	Includes item 3; Electric models; Through Serial Nos. beginning 1707
	D516508	Door Liner Assembly	Includes door seal; Starting Serial Nos. beginning 1707
5	D500226	Screw	
6	D511036	Hinge	
7	D510103WP	Door Pull and Wedge Kit	White; Includes item 8
	D510103QP	Door Pull and Wedge Kit	Bisque; Includes item 8
	D512947	Door Pull	Gray
8	D510129W	Door Handle Wedge	
9	D510013WP	Dryer Door	White
	D510013QP	Dryer Door	Bisque
	D510013DG	Dryer Door	Gray

Access Panel, Front Panel and Seal

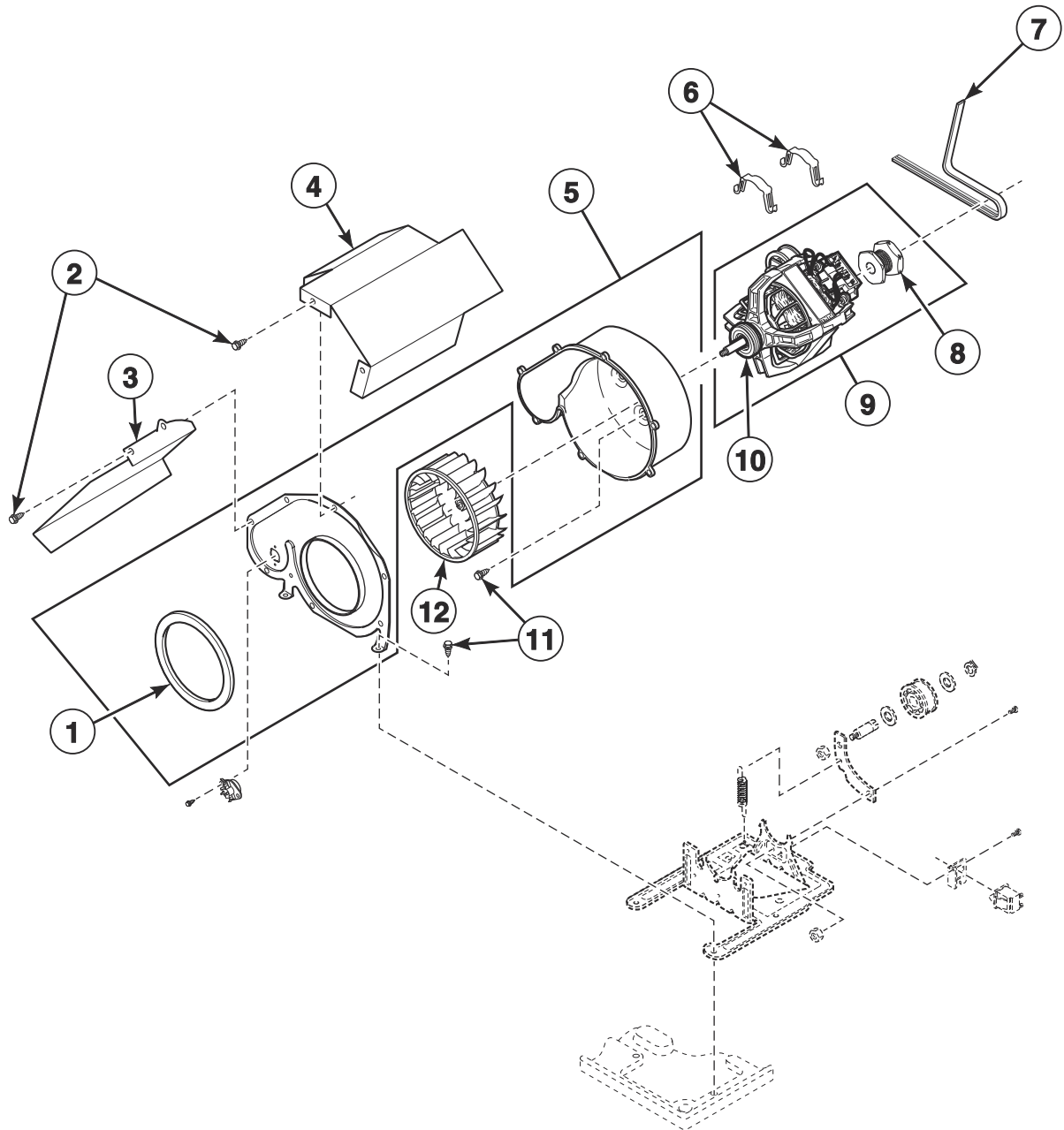


DRY2404P_515156

Access Panel, Front Panel and Seal

REF	PART NO.	DESCRIPTION	COMMENTS
	D502781	Lint Filter Label	Models FDEE5BGS543MW01 and FDLE5BGS123MW01
	D516073	Read Instructions Notice Label	Icon; Models FDEE5BGS543MW01 and FDLE5BGS123MW01
1	39733	Screw	
2	56079	Panel Locator	
3	28835	Speed Clip	
4	D514327	Drip Shield	Models FDEE5BGS543MW01, FDGE5BGS303ZW38, FDLE5BGS123MW01, LDLE5BGS303LW01, LDLE5BGS303NW26, LDLE7RGS303LW26, LDLE7RGS303NW26, LDLE7RWS303NW26, LSLE5AGS303LW26 and LSLE5AGW543ZW01
5	D512973	Switch	
6	D511056	Front Panel Seal	
7	D510066WP	Front Panel	White
	D510066QP	Front Panel	Bisque
	D510066DG	Front Panel	Gray
8	D503688	Screw	
9	33562	Screw	
10	D514250DG	Access Panel Assembly	Gray; Models PDEE3BGS173TG01, PDEE4RGS173TG01, PDGE3BGS113TG01, PDGE4RGS113CG01 and PDGE4RGS113TG01
	D514250Q	Access Panel Assembly	Bisque; Model LDGE7RWS113TQ01
	D514250WP	Access Panel Assembly	White; All other models
11	D510177	Door Catch Assembly	
12	D510186	Hinge Hole Plug	
13	D516512	Warning Label	Model FDGE5BGS303ZW38
	D516514	Warning Label	Models FDEE5BGS543MW01 and FDLE5BGS123MW01
	D514867	Warning Label	Model LSLE5AGS303LW26
	D500281	Warning/Caution Label	All other models
14	D513781WP	Front Panel Assembly	Models LSEE5AGW153TW01, LSEE5AGW173TW01, LSEE5AGW283CW01, LSEE5AGW293CW01, LSGE5AGW093CW01, LSGE5AGW113TW01 and LSLE5AGW543NW23; Includes items 1-3, 5-7, 11, 12 and D516737W Door Assembly

Motor, Exhaust Fan and Belt (Drawing 1 of 2)

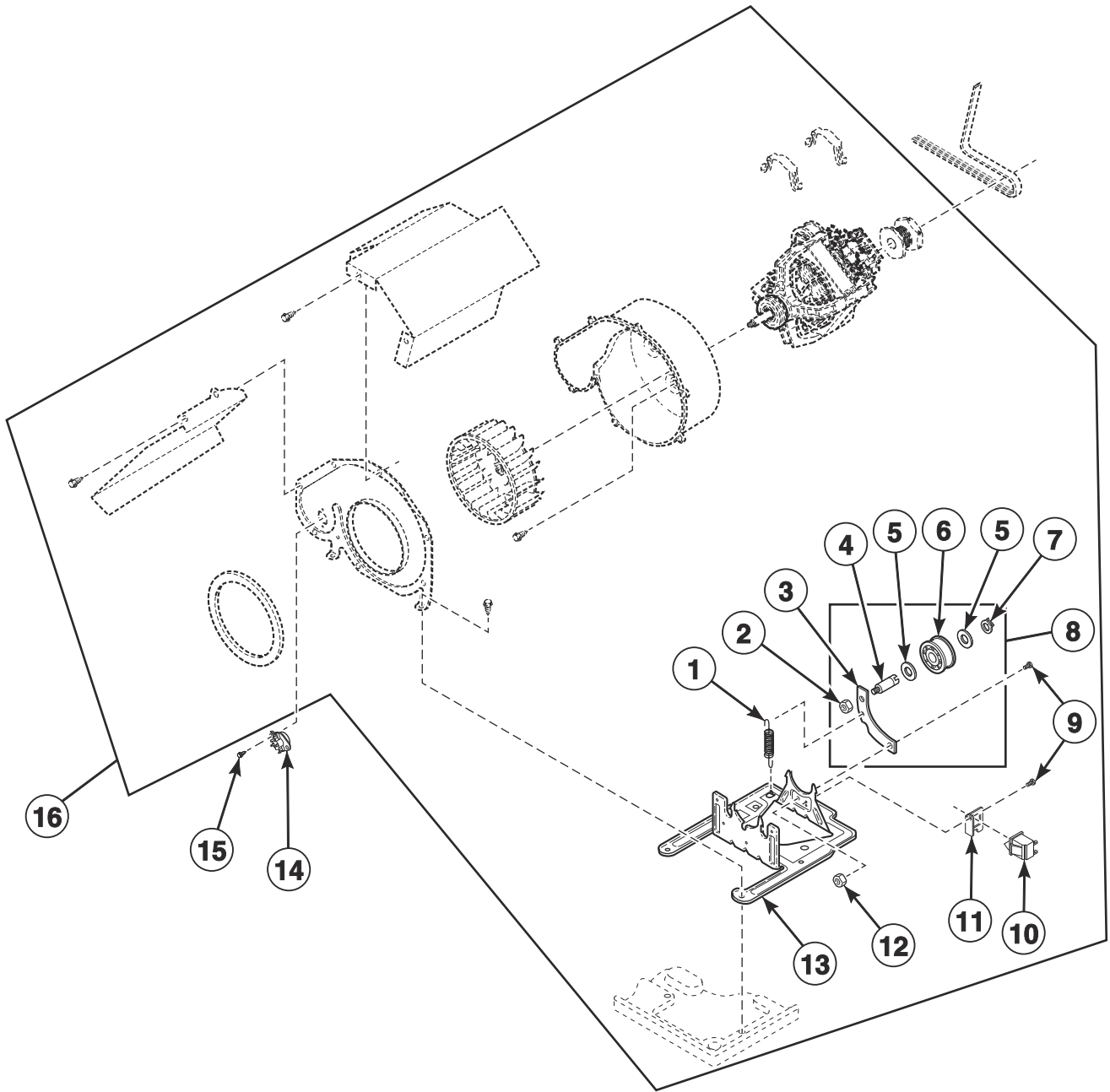


DRY2585P

Motor, Exhaust Fan and Belt (Drawing 1 of 2)

REF	PART NO.	DESCRIPTION	COMMENTS
	27604P	Anti-Seize Compound	
1	D510238P	Blower Housing Seal	
2	31260	Screw	
3	D514325	Thermostat Shield	Models LDLE5BGS303LW01, LDLE5BGS303NW26, LDLE7RGS303LW26, LDLE7RGS303NW26, LDLE7RWS303NW26, LSLE5AGS303LW26 and LSLE5AGW543ZW01
4	D514602	Motor Shield	Models FDEE5BGS543MW01, FDGE5BGS303ZW38, FDLE5BGS123MW01, LDLE5BGS303LW01, LDLE5BGS303NW26, LDLE7RGS303LW26, LDLE7RGS303NW26, LDLE7RWS303NW26, LSLE5AGS303LW26 and LSLE5AGW543ZW01
5	D511969WP	Blower Housing	Includes items 1 and 2
6	D510180	Motor Mount Clamp	
7	D511255P	Cylinder Belt	
8	D500011	Motor Pulley	60 Hertz
9	D505869P	Motor and Pulley Assembly	240 Volt/60 Hertz; Includes items 8 and 10; Models FDEE5BGS543MW01, LSLE5AGW543NW23 and LSLE5AGW543ZW01
	D505843P	Motor and Pulley Assembly	240 Volt/50 Hertz; Includes items 8 and 10; Models FDGE5BGS303ZW38, LDLE5BGS303LW01, LDLE5BGS303NW26, LDLE7RGS303LW26, LDLE7RGS303NW26, LDLE7RWS303NW26, LSLE5AGS303LW26, LSLE5AGS303NW22 and LSLE5AGS303NW35
	D511629P	Motor and Pulley Assembly	240 Volt/50 Hertz; Includes items 8 and 10; Model FDEE5BGS543MW01
	D511629P	Motor and Pulley Assembly	120 Volt/60 Hertz; Includes items 8 and 10; All other models
10	590P3	Motor Hub Ring Kit	
11	D503688	Screw	
12	D510139P	Blower Fan Assembly	

Motor, Exhaust Fan and Belt (Drawing 2 of 2)

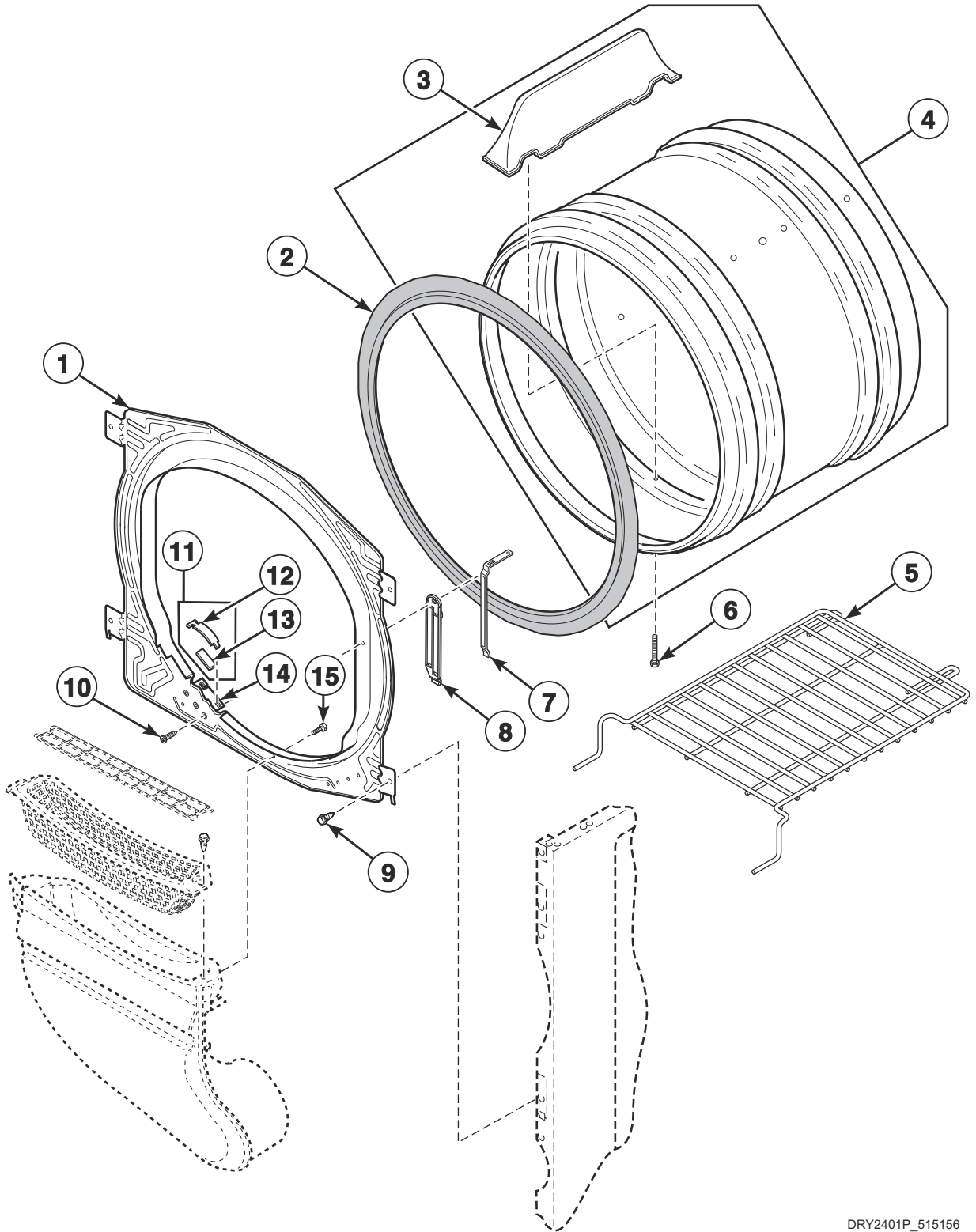


DRY2586P

Motor, Exhaust Fan and Belt (Drawing 2 of 2)

REF	PART NO.	DESCRIPTION	COMMENTS
1	D510185	Idler Spring	
2	56156	Nut	
3	D516310	Idler Lever	
4	56461P	Shaft	
5	52549	Washer	
6	D510142P	Idler Wheel and Bearing Assembly	
7	23748	Retaining Ring	
8	D516792	Idler Lever and Wheel Assembly	Includes items 2-7
9	D500824	Screw	
10	D516391	Switch	All models except FDEE5BGS543MW01, FDGE5BGS303ZW38, FDLE5BGS123MW01, LDEE5FGS173TW01, LDLE5BGS303LW01, LDLE5BGS303NW26, LDLE7RGS303NW26, LDLE7RWS303NW26, LSGE5AGS083NW01, LSGE5AGS103NW01, LSLE5AGS303NW22, LSLE5AGS303NW35, LSLE5AGW543NW23 and LSLE5AGW543ZW01 starting Serial No. 1903000001
11	D516311	Motor Switch Bracket	All models except FDEE5BGS543MW01, FDGE5BGS303ZW38, FDLE5BGS123MW01, LDEE5FGS173TW01, LDLE5BGS303LW01, LDLE5BGS303NW26, LDLE7RGS303LW26, LDLE7RGS303NW26, LDLE7RWS303NW26, LSGE5AGS083NW01, LSGE5AGS103NW01, LSLE5AGS303LW26, LSLE5AGS303NW22, LSLE5AGS303NW35, LSLE5AGW543NW23 and LSLE5AGW543ZW01 starting Serial No. 1903000001
12	52566	Nut	
13	D518517	Motor Mount	
14	D502366	Thermistor Assembly	Models FDGE5BGS303ZW38, LDLE5BGS303LW01, LDLE5BGS303NW26, LDLE7RGS303LW26, LDLE7RGS303NW26, LDLE7RWS303NW26, LSLE5AGS303LW26, LSLE5AGS303NW22 and LSLE5AGS303NW35
	D510523	Thermistor Assembly	Black; All other models
15	D502535	Screw	
16	D510717P	Blower and Fan Kit	

Front Bulkhead and Cylinder

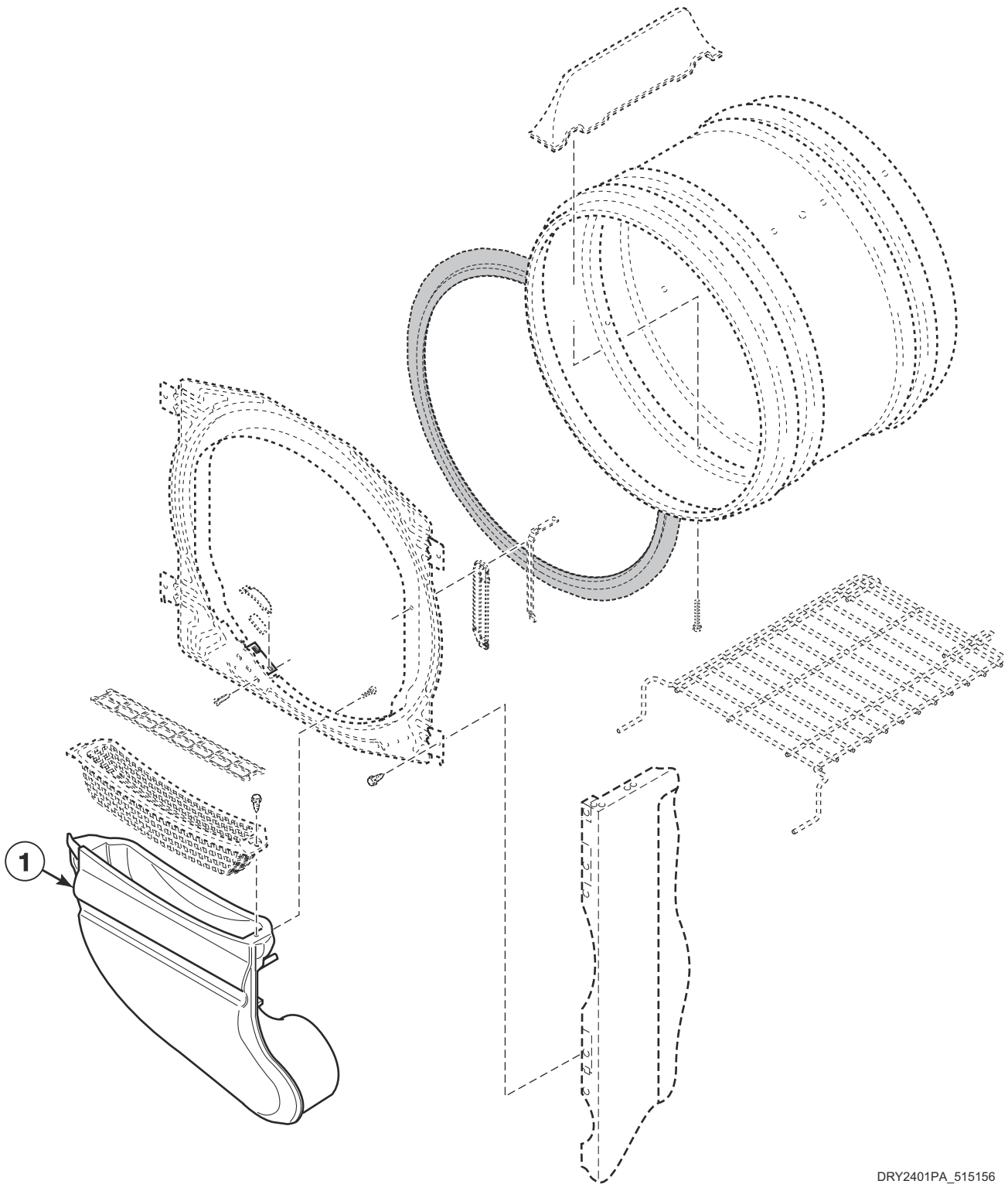


DRY2401P_515156

Front Bulkhead and Cylinder

REF	PART NO.	DESCRIPTION	COMMENTS
1	D515535WP	Front Bulkhead	Painted; Models LDEE7RWS173TW01, LDGE7RWS113TQ01 and LDGE7RWS113TW01
	D515532P	Front Bulkhead Assembly	All other models
2	D510207P	Cylinder Seal Assembly	
	D511637P	Adhesive	For cylinder seal
	RB170001	Seal Kit	Includes 2 cylinder seals, D510238P Blower Housing Seal and Adhesive
3	D510102W	Cylinder Baffle	3 required; White
	D510102LG	Cylinder Baffle	3 required; Gray
4	D510159WP	Cylinder Assembly	White; Includes item 3; Models LDEE7RWS173TW01, LDGE7RWS113TQ01, LDGE7RWS113TW01 and LDLE7RWS303NW26
	D510265WP	Cylinder Assembly	Galvanized; Includes item 3; All other models; White baffles
	D510265LGP	Cylinder Assembly	Galvanized; Includes item 3; All other models; Gray baffles
5	D512082P	Drying Rack	
6	62588	Screw	
7	D513737	Bar Sensor	2 required
8	D513738	Moisture Sensor Base	
9	D503688	Screw	
10	52864	Screw	
11	RB170003	Glide Kit	Includes 2 of items 12 and 13
12	D513710	Cylinder Glide	2 required
13	D510189	Felt Pad	2 required
14	D510145	Cylinder Glide Bracket	2 required
15	D500226	Screw	

Air Duct

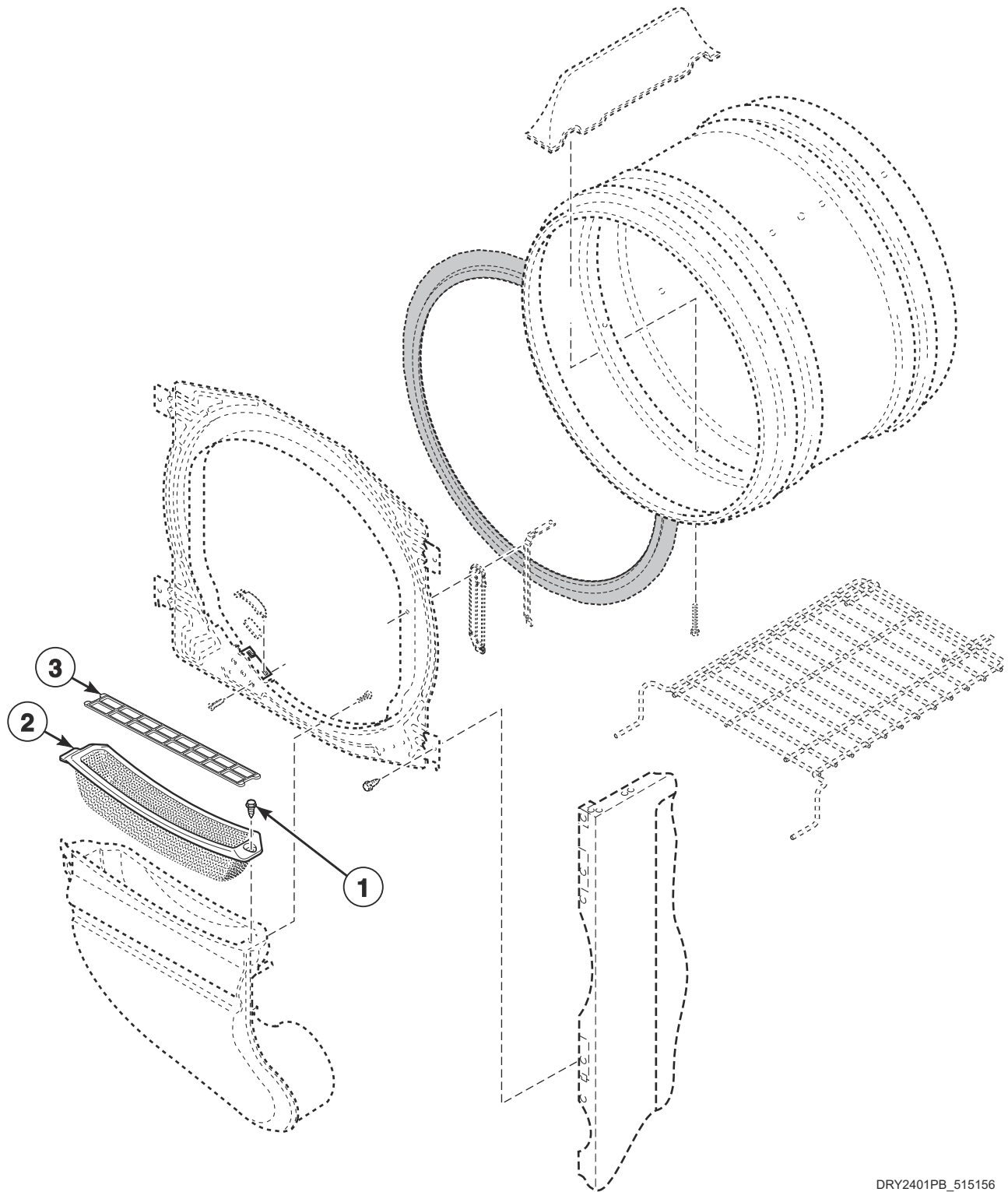


DRY2401PA_515156

Air Duct

REF	PART NO.	DESCRIPTION	COMMENTS
	F8211201	Electrical Shock Label	Icon
	F8615701	Pinch Warning Label	Icon; Models FDEE5BGS543MW01 and FDLE5BGS123MW01
	F8614201	Shock Warning Label	Icon; Models FDEE5BGS543MW01 and FDLE5BGS123MW01
	44324001	Warning Label	English/French
1	D518432	Air Duct Assembly	Models LDLE5BGS303LW01, LDLE5BGS303NW26, LDLE7RGS303LW26, LDLE7RGS303NW26, LDLE7RWS303NW26, LSLE5AGS303LW26, LSLE5AGS303NW22, LSLE5AGS303NW35, LSLE5AGW543NW23 and LSLE5AGW543ZW01; Models BDGE6BGS113CW01, BDGE6BGS113TW01, FDGE5BGS113MW01, LDGA5RGS113TW01, LDGE5BGS113CW01, LDGE5BGS113TW01, LDGE7RGS113CW01, LDGE7RGS113TW01, LDGE7RWS113TQ01, LDGE7RWS113TW01, LSGA5FGS113TW01, LSGE5AGS083NW01, LSGE5AGS103NW01, LSGE5AGS113TW01, LSGE5AGW093CW01, LSGE5AGW113TW01, PDGE3BGS113TG01, PDGE3BGS113TW01, PDGE4RGS113CG01, PDGE4RGS113TG01, PDGE4RGS113TW01, UDGE5BGS113TW01, YDGE5BGS113CW01, YDGE7RGS113CW01 and YSGE5AGS113TW01 through Serial No 1606000838
	D518433	Air Duct Assembly	Electric models; Models BDGE6BGS113CW01, BDGE6BGS113TW01, FDEE5BGS543MW01, FDGE5BGS303ZW38, FDLE5BGS123MW01, LDEE5FGS173TW01, LDGA5RGS113TW01, LDGE5BGS113CW01, LDGE5BGS113TW01, LDGE5RGS113TW01, LDGE7RGS113CW01, LDGE7RGS113TW01, LDGE7RWS113TQ01, LDGE7RWS113TW01, LSGA5FGS113TW01, LSGE5AGS083NW01, LSGE5AGS103NW01, LSGE5AGS113TW01, LSGE5AGW093CW01, LSGE5AGW113TW01, PDGE3BGS113TG01, PDGE3BGS113TW01, PDGE4RGS113CG01, PDGE4RGS113TG01, PDGE4RGS113TW01, UDGE5BGS113TW01, YDEE7RGS153TW01, YDGE5BGS113CW01, YDGE7RGS113CW01, YDGE7RGS113TW01 and YSGE5AGS113TW01 starting Serial No 1606000839
	D518431	Air Duct Assembly	Models FDEE5BGS543MW01, FDGE5BGS303ZW38 and LDLE7RGS303LW26

Lint Filter

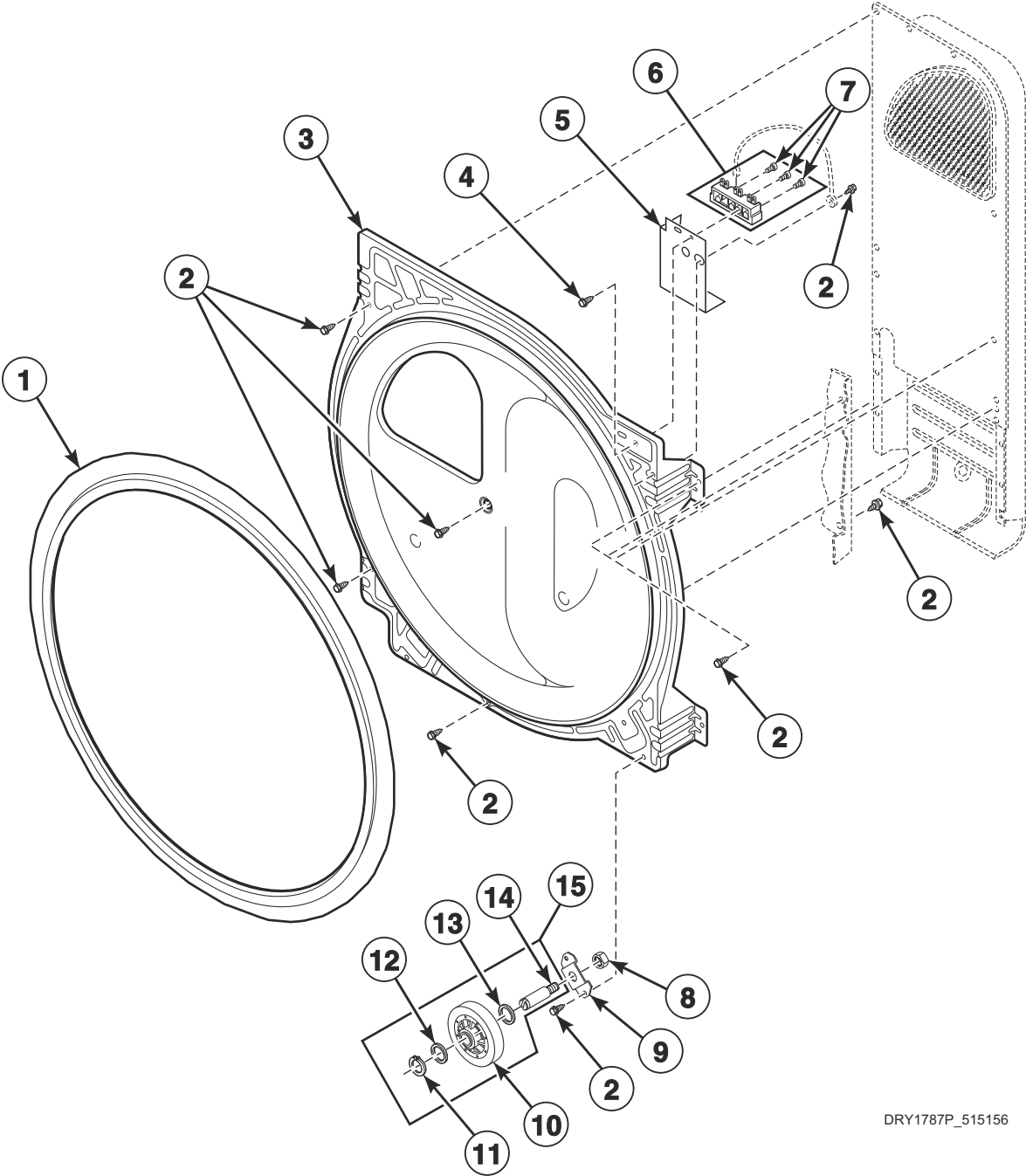


DRY2401PB_515156

Lint Filter

REF	PART NO.	DESCRIPTION	COMMENTS
	F8211201	Electrical Shock Label	Icon
	F8615701	Pinch Warning Label	Icon
	44324001	Warning Label	English/French
1	D501285	Screw	
2	D503980W	Lint Filter	Models LDLE5BGS303LW01, LDLE5BGS303NW26, LDLE7RGS303NW26, LDLE7RWS303NW26, LSLE5AGS303NW22, LSLE5AGS303NW35, LSLE5AGW543NW23 and LSLE5AGW543ZW01; Models BDGE6BGS113CW01, BDGE6BGS113TW01, FDGE5BGS113MW01, LDGA5RGS113TW01, LDGE5BGS113CW01, LDGE5BGS113TW01, LDGE7RGS113CW01, LDGE7RGS113TW01, LDGE7RWS113TQ01, LDGE7RWS113TW01, LDLE7RGS303LW26, LSGA5FGS113TW01, LSGE5AGS083NW01, LSGE5AGS103NW01, LSGE5AGS113TW01, LSGE5AGW093CW01, LSGE5AGW113TW01, LSLE5AGS303LW26, PDGE3BGS113TG01, PDGE3BGS113TW01, PDGE4RGS113CG01, PDGE4RGS113TG01, PDGE4RGS113TW01, UDGE5BGS113TW01, YDGE5BGS113CW01, YDGE7RGS113CW01 and YSGE5AGS113TW01 through Serial No 1606000838
	D503980LG	Lint Filter	Electric models; Models BDGE6BGS113CW01, BDGE6BGS113TW01, FDEE5BGS543MW01, FDGE5BGS303ZW38, FDLE5BGS123MW01, LDEE5FGS173TW01, LDGA5RGS113TW01, LDGE5BGS113CW01, LDGE5BGS113TW01, LDGE5RGS113TW01, LDGE7RGS113CW01, LDGE7RGS113TW01, LDGE7RWS113TQ01, LDGE7RWS113TW01, LSGA5FGS113TW01, LSGE5AGS083NW01, LSGE5AGS103NW01, LSGE5AGS113TW01, LSGE5AGW093CW01, LSGE5AGW113TW01, PDGE3BGS113TG01, PDGE3BGS113TW01, PDGE4RGS113CG01, PDGE4RGS113TG01, PDGE4RGS113TW01, UDGE5BGS113TW01, YDEE7RGS153TW01, YDGE5BGS113CW01, YDGE7RGS113CW01, YDGE7RGS113TW01 and YSGE5AGS113TW01 starting Serial No 1606000839
3	D510502W	Lint Filter Cover	Models LDLE5BGS303LW01, LDLE5BGS303NW26, LDLE7RGS303NW26, LDLE7RWS303NW26, LSLE5AGS303NW22, LSLE5AGS303NW35, LSLE5AGW543NW23 and LSLE5AGW543ZW01; Models BDGE6BGS113CW01, BDGE6BGS113TW01, FDGE5BGS113MW01, LDGA5RGS113TW01, LDGE5BGS113CW01, LDGE5BGS113TW01, LDGE7RGS113CW01, LDGE7RGS113TW01, LDGE7RWS113TQ01, LDGE7RWS113TW01, LDLE7RGS303LW26, LSGA5FGS113TW01, LSGE5AGS083NW01, LSGE5AGS103NW01, LSGE5AGS113TW01, LSGE5AGW093CW01, LSGE5AGW113TW01, LSLE5AGS303LW26, PDGE3BGS113TG01, PDGE3BGS113TW01, PDGE4RGS113CG01, PDGE4RGS113TG01, PDGE4RGS113TW01, UDGE5BGS113TW01, YDGE5BGS113CW01, YDGE7RGS113CW01 and YSGE5AGS113TW01 through Serial No 1606000838
	D510502LG	Lint Filter Cover	Electric models; Models BDGE6BGS113CW01, BDGE6BGS113TW01, FDEE5BGS543MW01, FDGE5BGS303ZW38, FDLE5BGS123MW01, LDEE5FGS173TW01, LDGA5RGS113TW01, LDGE5BGS113CW01, LDGE5BGS113TW01, LDGE5RGS113TW01, LDGE7RGS113CW01, LDGE7RGS113TW01, LDGE7RWS113TQ01, LDGE7RWS113TW01, LSGA5FGS113TW01, LSGE5AGS083NW01, LSGE5AGS103NW01, LSGE5AGS113TW01, LSGE5AGW093CW01, LSGE5AGW113TW01, PDGE3BGS113TG01, PDGE3BGS113TW01, PDGE4RGS113CG01, PDGE4RGS113TG01, PDGE4RGS113TW01, UDGE5BGS113TW01, YDEE7RGS153TW01, YDGE5BGS113CW01, YDGE7RGS113CW01, YDGE7RGS113TW01 and YSGE5AGS113TW01 starting Serial No 1606000839

Rear Bulkhead, Felt Seal, Cylinder Roller and Terminal Block



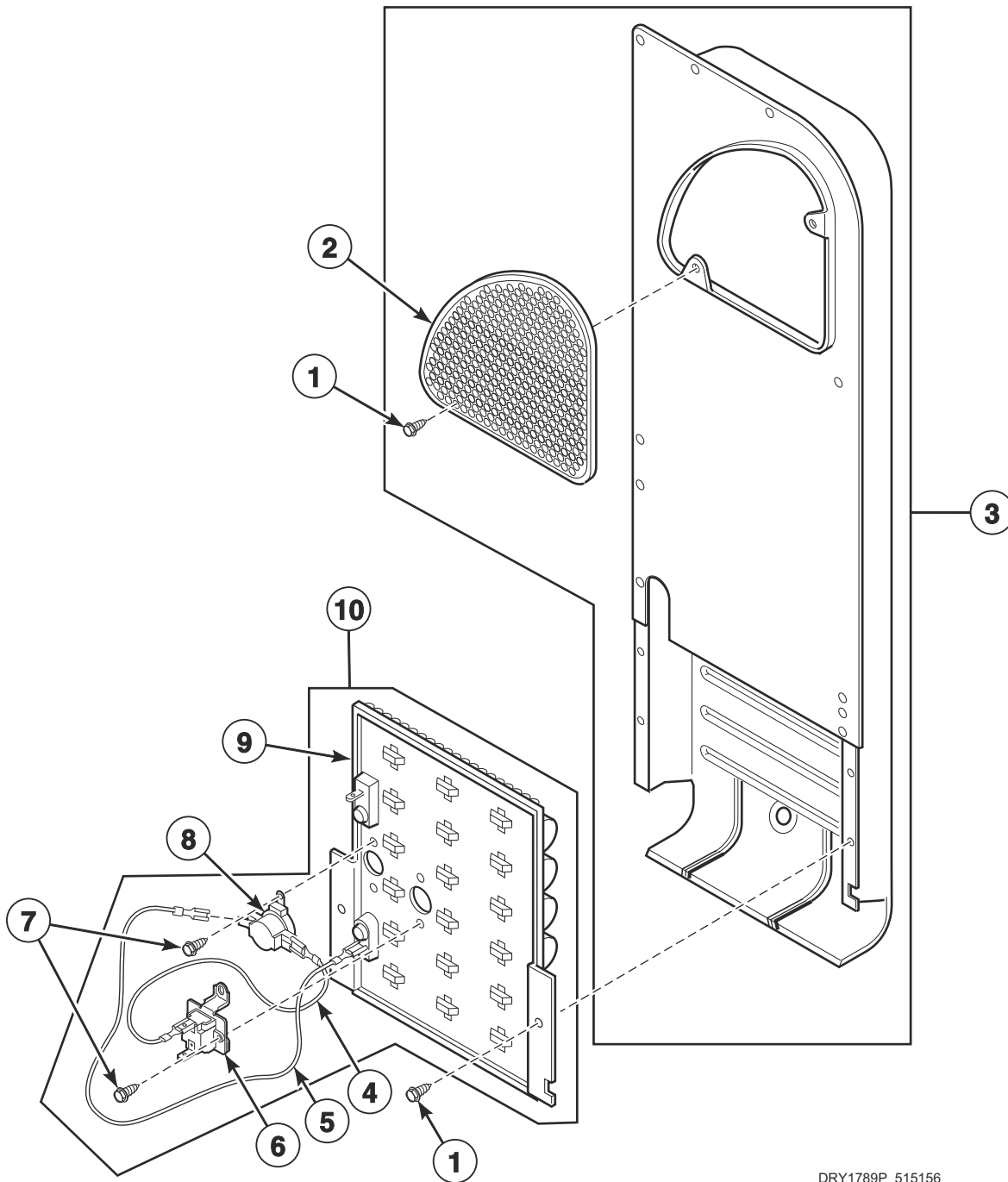
DRY1787P_515156

Rear Bulkhead, Felt Seal, Cylinder Roller and Terminal Block

REF	PART NO.	DESCRIPTION	COMMENTS
1	D510207P	Cylinder Seal Assembly	
	D511637P	Adhesive	For cylinder seal
	RB170001	Seal Kit	Includes 2 cylinder seals, D510238P Blower Housing Seal and Adhesive
2	D503688	Screw	
3	D518128	Rear Bulkhead	Models LDEE7RWS173TW01, LDGE7RWS113TQ01, LDGE7RWS113TW01, LDLE7RGS303LW26 and LDLE7RWS303NW26
	D511082P	Rear Bulkhead Assembly	Galvanized; Includes item 1; All other models
4	44023301	Screw	Electric models
5	D517715	Terminal Block Shield	Model LSLE5AGS303NW22
	D510237	Terminal Block Shield	Electric models; Through Serial No. 1903000001
	D517715	Terminal Block Shield	Model FDEE5BGS543MW01
6	D510190P	Terminal Block Assembly	Includes 3 of item 7; Electric models
7	61199	Screw	
8	56156	Nut	
9	D510100	Cylinder Roller Bracket	
10	D510708P	Cylinder Roller	2 required; One per side
11	23748	Retaining Ring	
12	52549	Washer	
13	D504082	Washer	
14	56461P	Shaft	
15	RB170002	Roller Kit	Includes items 10-14

Heater Duct and Element Assembly

Electric Models



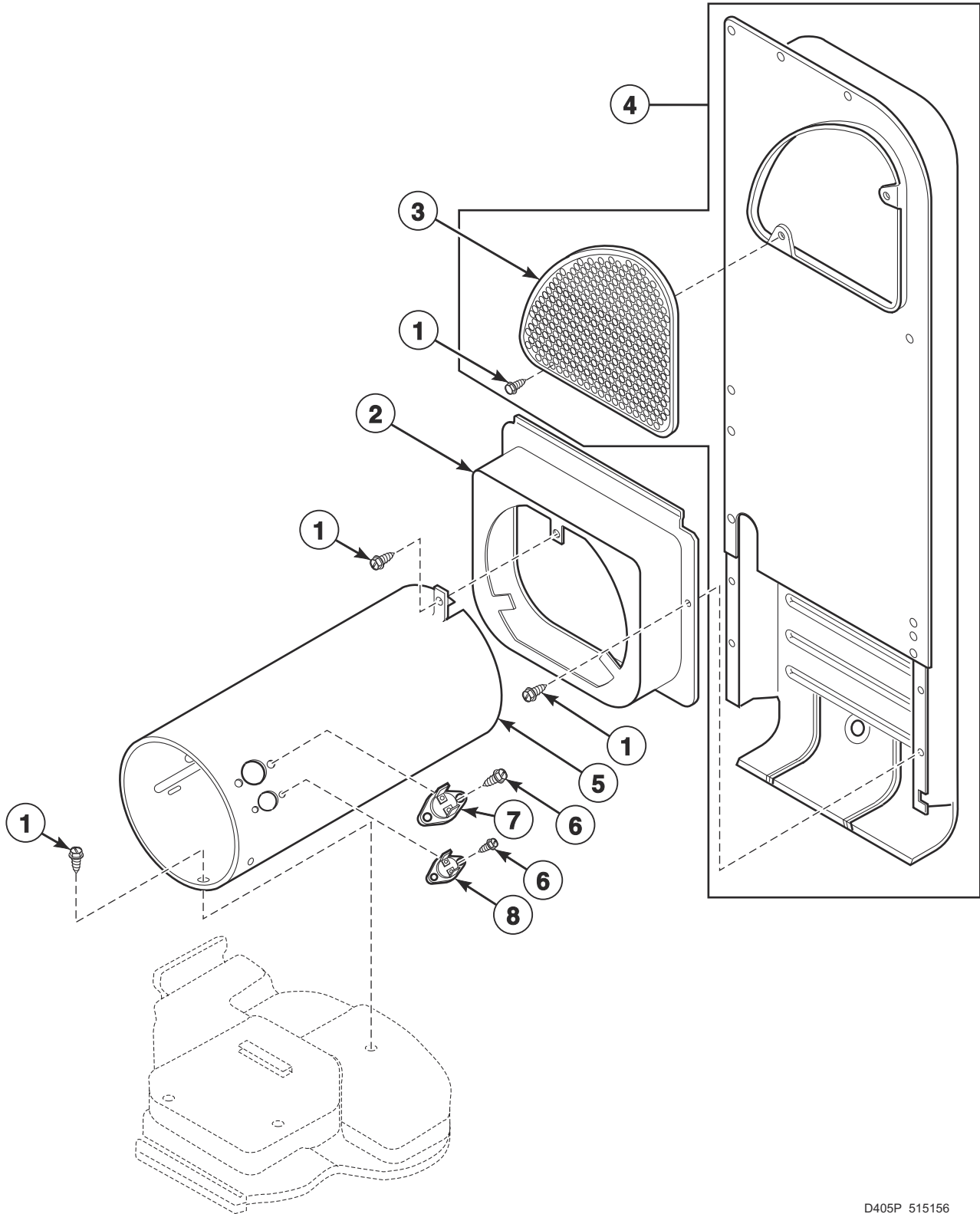
DRY1789P_515156

Heater Duct and Element Assembly

REF	PART NO.	DESCRIPTION	COMMENTS
1	D503688	Screw	2 required
2	D500820	Outlet Cover	
	D518524	Outlet Cover	Black
3	D510025P	Heater Duct Assembly	Includes items 1 and 2
4	D518256	Wire Assembly	Orange; Thermostat jumper; Attaches to heater assembly
5	D518255	Wire Assembly	Black; Fuse jumper; Attaches to heater assembly
6	D518542	Thermal Fuse Assembly	
7	23222	Screw	
8	D510701	Limit Thermostat	
9	D510325P	Heater	4.75 kW; 208 Volt; Models LDEE5BGS153TW01, LSEA5FGS153TW01, LSEA5FGS153TW04, LSEE5AGS153TW01, LSEE5AGW153TW01, LSEE5AGW283CW01, LSEE5AGW293CW01 and YSEE5AGS153TW01
	D510324P	Heater Assembly	5 kW; 240 Volt; Models BDEE6BGS173CW01, LDEE7RGS173CW01, UDEE5BGS173CW01, UDEE5BGS173CW08, YDEE5BGS173CW01 and YDEE7RGS173CW01
	D510330P	Heater Assembly	4.25 kW; 208 Volt; Models LDEE7RGS153CW01, YDEE7RGS153CW01 and YDEE7RGS153TW01
	D510329P	Heater Assembly	5.35 kW; 240 Volt; All other models
10	61928	Heater Kit Assembly	4.75 kW; 208 Volt; Optional; Includes items 4-9
	61927	Heater Kit Assembly	5 kW; 240 Volt; Includes items 4-9
	965P3	Heater Kit	4.25 kW; 208 Volt; Optional; Includes items 4-9
	964P3	Heater Kit	5.35 kW; 240 Volt; Includes items 4-9

Heater Duct Assembly

Gas Models

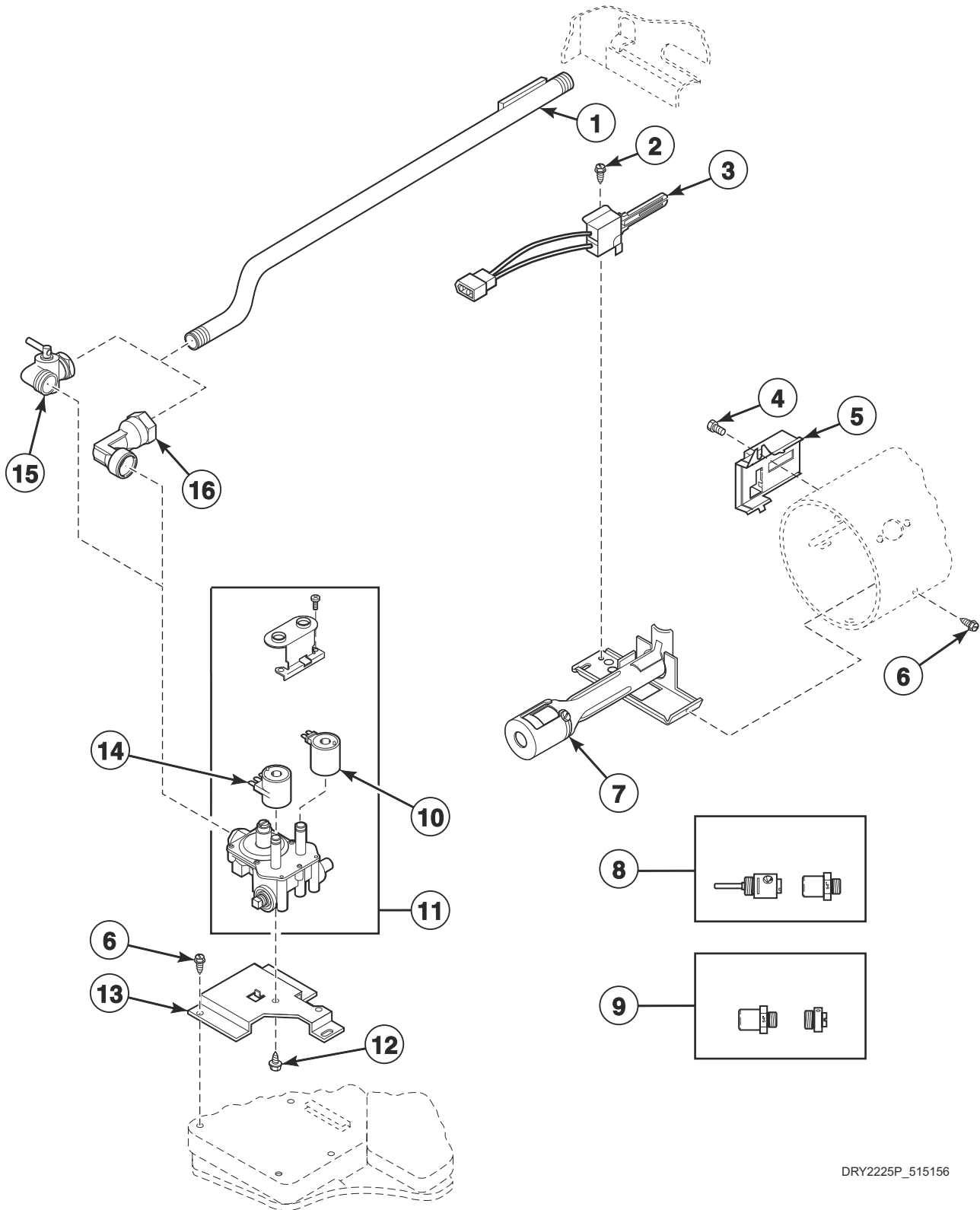


D405P_515156

Heater Duct Assembly

REF	PART NO.	DESCRIPTION	COMMENTS
1	D503688	Screw	2 required
2	D510101	Heat Duct Shroud	
3	D500820	Outlet Cover	
	D518524	Outlet Cover	Black
4	D510025P	Heater Duct Assembly	Includes items 1 and 3
5	D510132	Combustion Duct	Models LDLE5BGS303LW01, LDLE5BGS303NW26, LDLE7RGS303LW26, LDLE7RGS303NW26, LDLE7RWS303NW26, LSLE5AGS303LW26, LSLE5AGS303NW22, LSLE5AGS303NW35, LSLE5AGW543NW23 and LSLE5AGW543ZW01
	D510131	Combustion Duct	All other models
6	51782	Screw	
7	D510702	Limit Thermostat	Black; Auto reset
8	D510703	Thermostat	Manual reset; Models LDLE5BGS303LW01, LDLE5BGS303NW26, LDLE7RGS303NW26, LDLE7RWS303NW26, LSLE5AGS303NW22, LSLE5AGS303NW35, LSLE5AGW543NW23 and LSLE5AGW543ZW01

Gas Valve, Igniter and Gas Conversion Kits Gas Models Through Serial No. 190800001



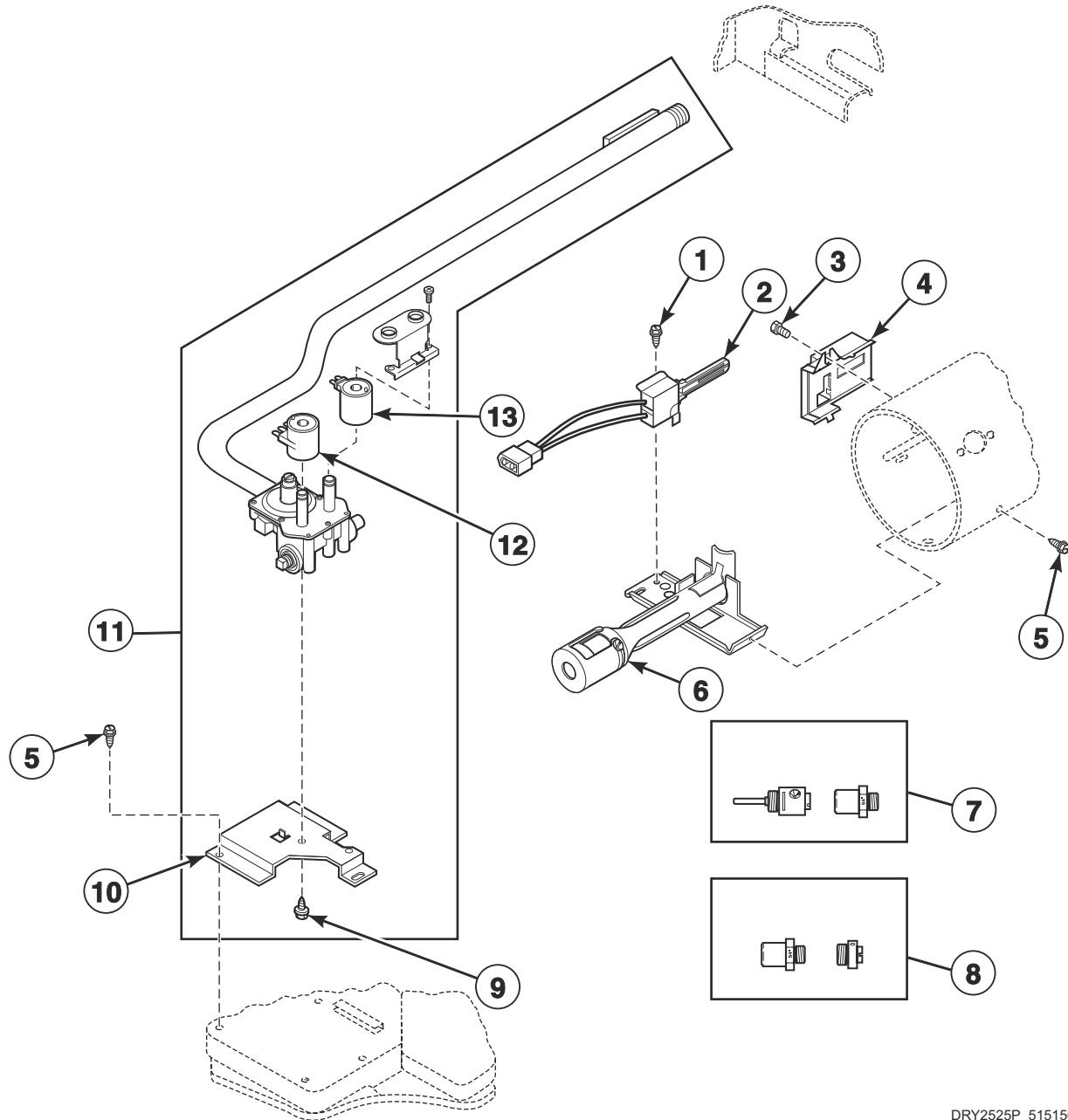
DRY2225P_515156

Gas Valve, Igniter and Gas Conversion Kits Gas Models Through Serial No. 1908000001

REF	PART NO.	DESCRIPTION	COMMENTS
1	D510204	Lead-In Pipe Assembly	
2	51782	Screw	
3	D510184P	Igniter and Bracket Assembly	
4	23222	Screw	
5	D510213	Sensor	
6	D503688	Screw	
7	D510149P	Burner Assembly	
8	649P3	L.P. Conversion Kit	Used to convert dryers from Natural Gas (N.G.) or Mixed Gas to Liquid Petroleum Gas (L.P.); 22,500 Btu
9	650P3	N.G. Conversion Kit	Used to convert dryers from L.P. to N.G. or Mixed Gas; 22,500 Btu
10	58804B	Secondary Coil	
11	D513631	Gas Valve Assembly	60 Hertz; 22,500 BTU; L.P.; Includes items 10 and 14; Models LSLE5AGW543NW23 and LSLE5AGW543ZW01
	D513630	Gas Valve Assembly	50 Hertz; 20,000 BTU; L.P.; Includes items 10 and 14; Models LDLE5BGS303LW01, LDLE5BGS303NW26, LDLE7RGS303NW26, LDLE7RWS303NW26, LSLE5AGS303NW22 and LSLE5AGS303NW35
	D510506P	Gas Valve Assembly	60 Hertz; 22,500 BTU; N.G.; Includes items 10 and 14; All other models
12	56124	Screw	
13	D510128	Gas Valve Mounting Bracket	
14	58804A	Booster and Holding Coil	
15	D510205	Elbow Shut-Off Valve	Models LSLE5AGS303NW22, LSLE5AGW543NW23 and LSLE5AGW543ZW01 through Serial Nos. beginning 1711
16	D513072	Elbow	Models LSLE5AGS303NW22, LSLE5AGW543NW23 and LSLE5AGW543ZW01 starting Serial Nos. beginning 1711; All other models

Gas Valve, Igniter and Gas Conversion Kits

Gas Models Starting Serial No. 1908000001

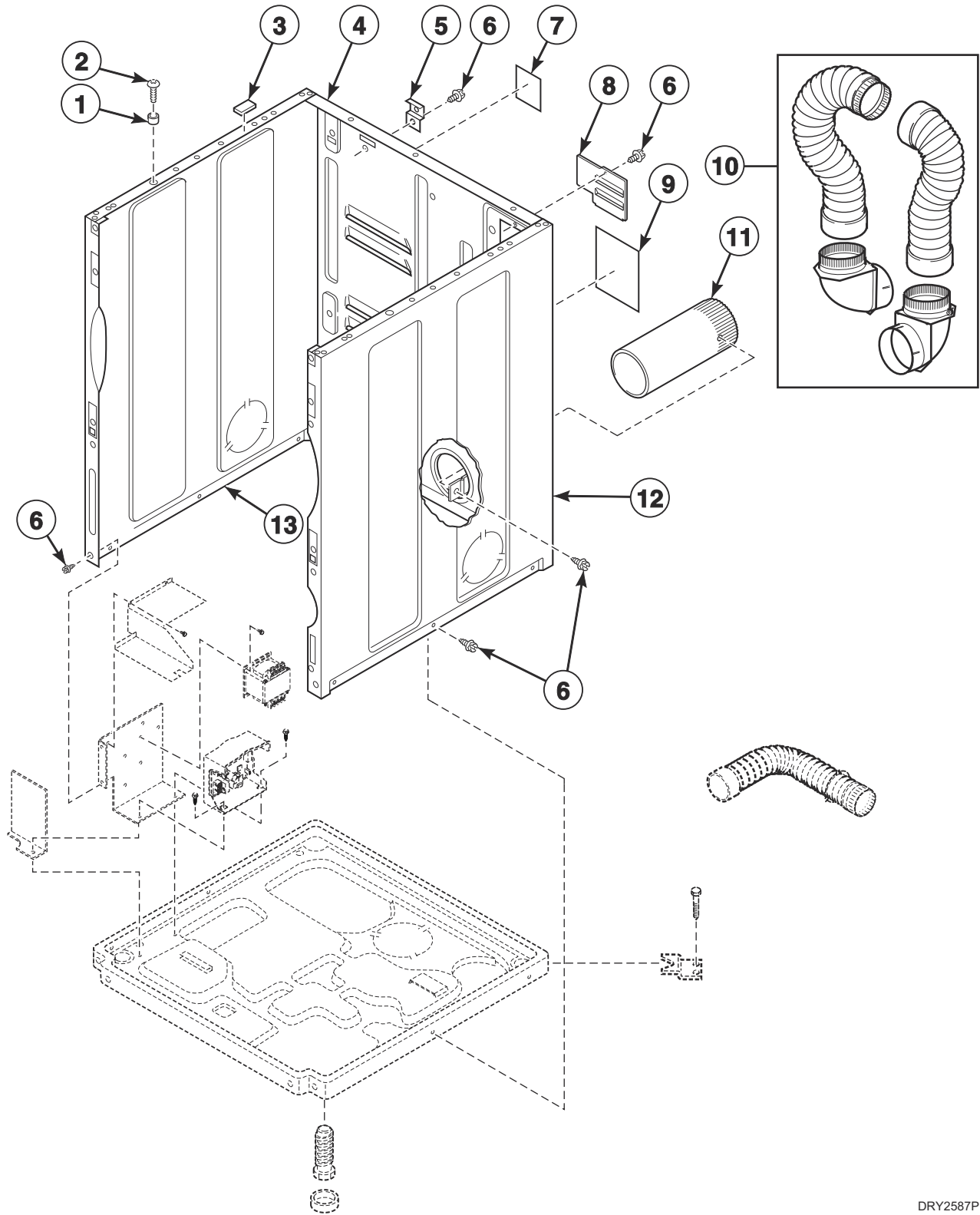


DRY2525P_515156

Gas Valve, Igniter and Gas Conversion Kits Gas Models Starting Serial No. 1908000001

REF	PART NO.	DESCRIPTION	COMMENTS
1	51782	Screw	
2	D510184P	Igniter and Bracket Assembly	
3	23222	Screw	
4	D510213	Sensor	
5	D503688	Screw	
6	D510149P	Burner Assembly	
7	649P3	L.P. Conversion Kit	Used to convert dryers from Natural Gas (N.G.) or Mixed Gas to Liquid Petroleum Gas (L.P.); 22,500 Btu
	D518067	L.P. Conversion Kit	Model FDGE5BGS303ZW38
8	650P3	N.G. Conversion Kit	Used to convert dryers from L.P. to N.G. or Mixed Gas; 22,500 Btu
9	56124	Screw	
10	D510128	Gas Valve Mounting Bracket	
11	D517612	Gas Valve, Bracket and Pipe Assembly	60 Hertz; 22,500 BTU; L.P.; Includes items 9, 10, 12 and 13; Models LSLE5AGW543NW23 and LSLE5AGW543ZW01
	D517502	Gas Valve, Bracket and Pipe Assembly	60 Hertz; 22,000 BTU; L.P.; Includes items 9, 10, 12 and 13; Model FDLE5BGS123MW01
	D517611	Gas Valve, Bracket and Pipe Assembly	50 Hertz; 20,000 BTU; L.P.; Includes items 9, 10, 12 and 13; Models LDLE5BGS303LW01, LDLE5BGS303NW26, LDLE7RGS303LW26, LDLE7RGS303NW26, LDLE7RWS303NW26, LSLE5AGS303LW26, LSLE5AGS303NW22 and LSLE5AGS303NW35
	D517497	Gas Valve, Bracket and Pipe Assembly	50 Hertz; 22,000 BTU; N.G.; Includes items 9, 10, 12 and 13; Model FDGE5BGS303ZW38
	D517609	Gas Valve, Bracket and Pipe Assembly	60 Hertz; 22,500 BTU; N.G.; Includes items 9, 10, 12 and 13; Model UDGE5BGS113TW01
	D517406	Gas Valve, Bracket and Pipe Assembly	60 Hertz; 22,500 BTU; N.G.; Includes items 9, 10, 12 and 13; All other models
12	58804A	Booster and Holding Coil	
13	58804B	Secondary Coil	

Cabinet, Exhaust Duct and Base - Single Dryers (Drawing 1 of 2)

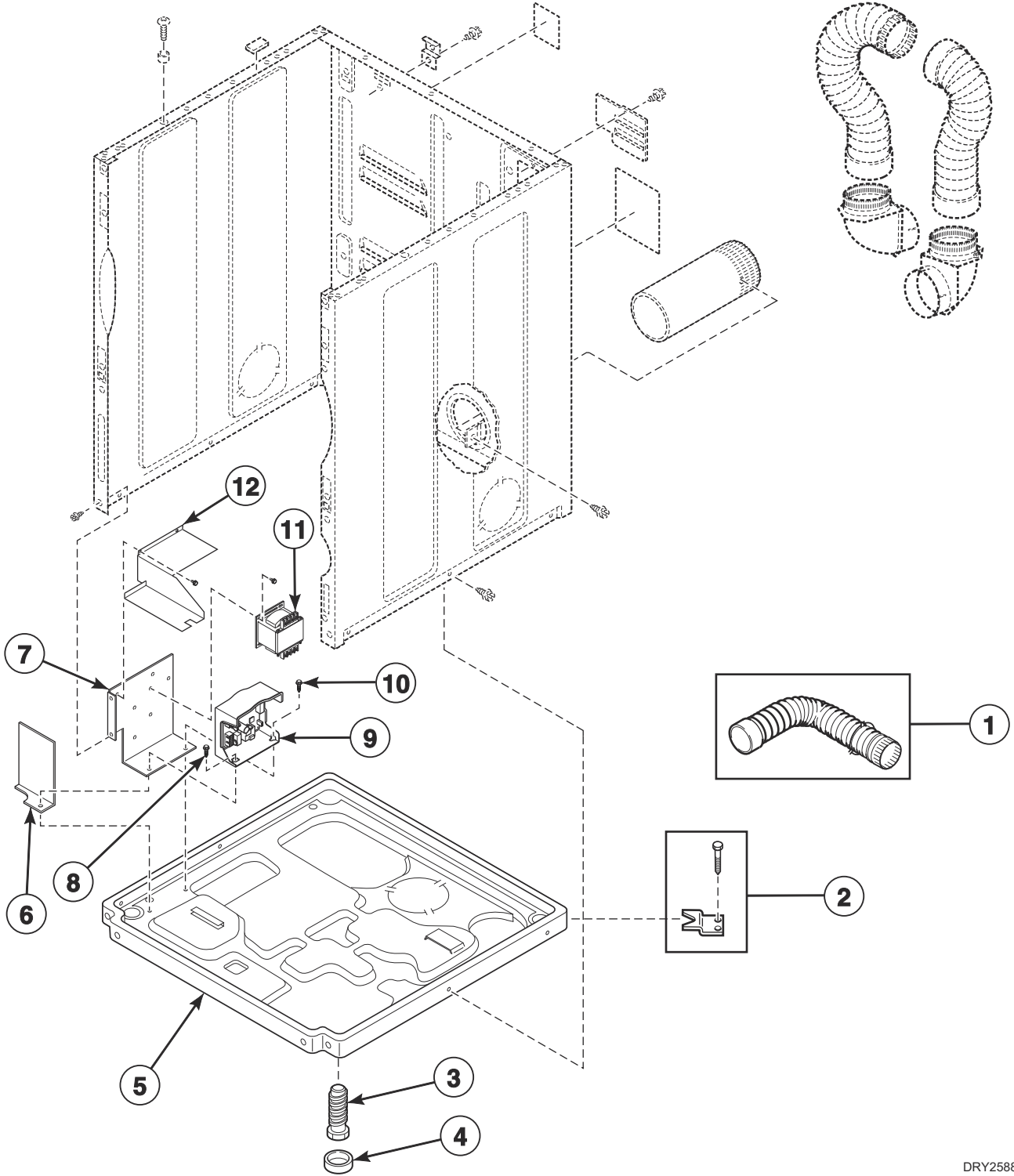


DRY2587P

Cabinet, Exhaust Duct and Base - Single Dryers (Drawing 1 of 2)

REF	PART NO.	DESCRIPTION	COMMENTS
	122P4P	Porcelain Touch-Up Paint	White
	370P4P	Porcelain Touch-Up Paint	Bisque
	44321601	Warning Label	Models FDEE5BGS543MW01 and FDLE5BGS123MW01
	D502507	Exhaust Fumes Label	Models FDEE5BGS543MW01 and FDLE5BGS123MW01
	F8614201	Shock Warning Label	Models FDEE5BGS543MW01 and FDLE5BGS123MW01
1	56079	Panel Locator	
2	39733	Screw	
3	56128	Bumper Pad	
4	D514632P	Cabinet Rear Panel	
5	D510136	Top Hinge	
6	D503688	Screw	
7	D511004	Gas Clearance Label	Gas models
8	D514356	Access Cover Plate	Models FDEE5BGS543MW01 and FDLE5BGS123MW01
	D510903	Access Panel Plate	All other models
9	D505984	Clearance Warning Label	Models BDEE6BGS173CW01, BDGE6BGS113CW01, FDEE7BGS173MW01, LDEE5BGS173CW01, LDEE7RGS153CW01, LDEE7RGS173CW01, UDEE5BGS173CW01, UDEE5BGS173CW08, YDEE5BGS173CW01, YDEE7RGS153CW01 and YDEE7RGS173CW01
	D511005	Electric Clearance Label	Models BDEE6BGS173TW01, BDGE6BGS113TW01, FDEE5BGS543MW01, FDEE7BGS173MW01, LDEE5BGS153TW01, LDEE5BGS173TW01, LDEE5FGS173TW01, LDEE7RGS173TW01, LDEE7RWS173TW01, LDLE5BGS303NW26, PDEE3BGS173TG01, PDEE3BGS173TW01, PDEE4RGS173TG01, PDEE4RGS173TW01, YDEE7RGS153TW01 and YDEE7RGS173TW01
10	521P3	Flexible Venting Kit	
11	D516196	Exhaust Duct	Each dryer requires 2 pieces
12	D510002WP	Cabinet Side Panel	White; Right
	D510002QP	Cabinet Side Panel	Bisque; Right
	D510002DGP	Cabinet Side Panel	Gray; Right
13	D510001WP	Cabinet Side Panel	White; Left
	D510001QP	Cabinet Side Panel	Bisque; Left
	D510001DGP	Cabinet Side Panel	Gray; Left

Cabinet, Exhaust Duct and Base - Single Dryers (Drawing 2 of 2)

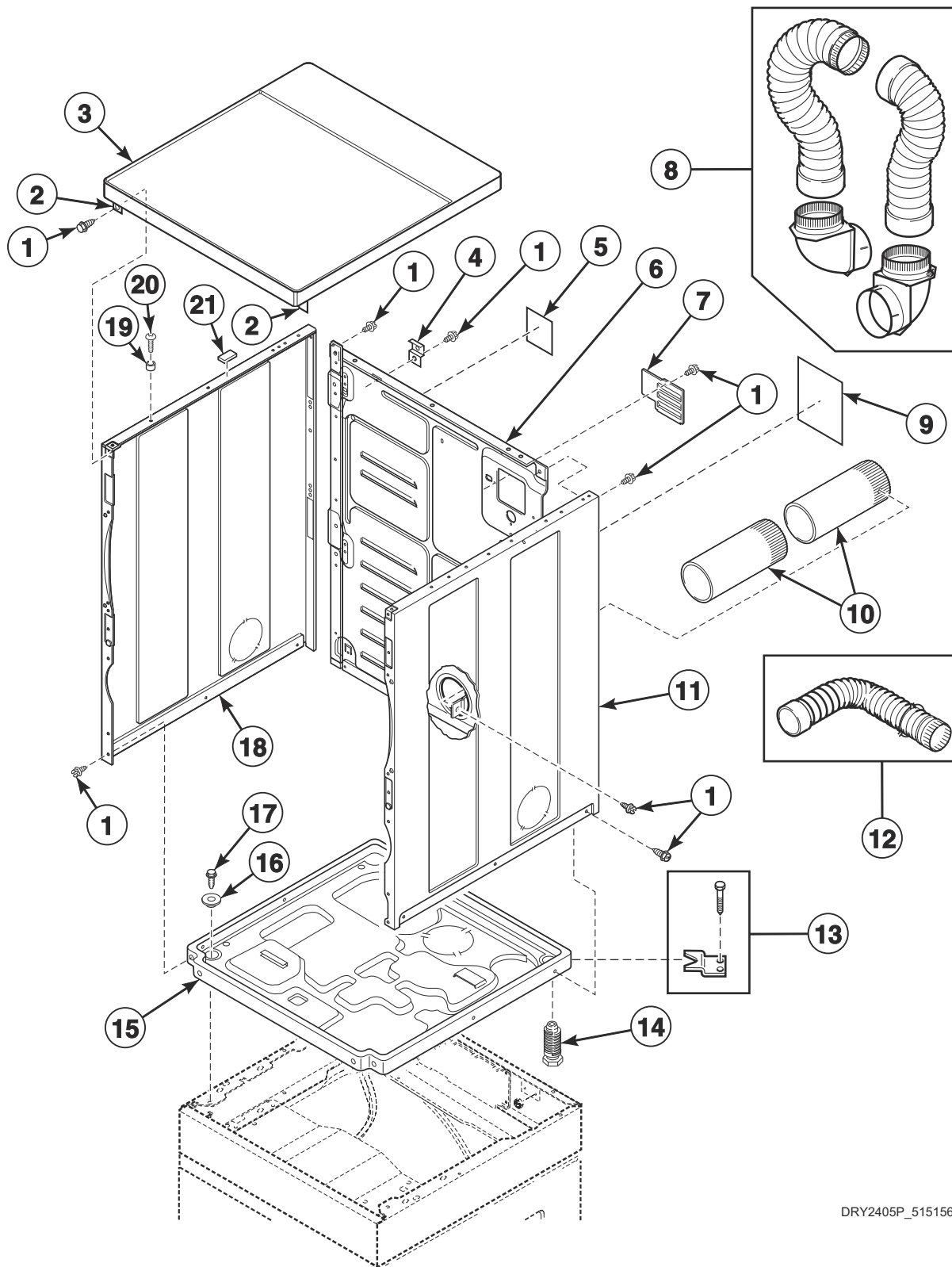


DRY2588P

Cabinet, Exhaust Duct and Base - Single Dryers (Drawing 2 of 2)

REF	PART NO.	DESCRIPTION	COMMENTS
1	528P3	Directional Exhaust Kit	Used to vent dryer out the sides or bottom
2	526P3	Hold Down Kit	For mobile home installations
3	D510135	Leveling Leg	
4	D501855	Rubber Foot	
5	D514245	Dryer Base	
6	D514334	Transformer Shield	Models FDGE5BGS303ZW38, LDLE5BGS303LW01, LDLE5BGS303NW26, LDLE7RGS303LW26, LDLE7RGS303NW26 and LDLE7RWS303NW26
7	D511859	Contactoer Bracket	Models FDGE5BGS303ZW38, LDLE5BGS303LW01, LDLE5BGS303NW26, LDLE7RGS303LW26, LDLE7RGS303NW26 and LDLE7RWS303NW26
8	D514428	Screw	
9	D517269	Output Control Assembly	Models LDLE5BGS303NW26, LDLE7RGS303NW26 and LDLE7RWS303NW26
	D517191P	Output Control Assembly	Models FDGE5BGS113MW01, LDLE5BGS173TW01, LDGE5BGS113TW01 and LDLE7RGS303LW26
	D517319	Output Control Assembly	Models FDLE5BGS543MW01, FDGE5BGS303ZW38 and FDLE5BGS123MW01
	D513797P	Output Control Assembly	All other models
10	804667	Screw	
11	D513763P	Transformer	Models FDGE5BGS303ZW38, LDLE5BGS303LW01, LDLE5BGS303NW26, LDLE7RGS303LW26, LDLE7RGS303NW26 and LDLE7RWS303NW26
12	D514420	Output Board Shield	Models FDLE5BGS543MW01, FDLE5BGS123MW01, LDLE5BGS303LW01, LDLE5BGS303NW26, LDLE7RGS303LW26, LDLE7RGS303NW26 and LDLE7RWS303NW26

Cabinet, Exhaust Duct and Base - Stacked Dryers (Drawing 1 of 2)

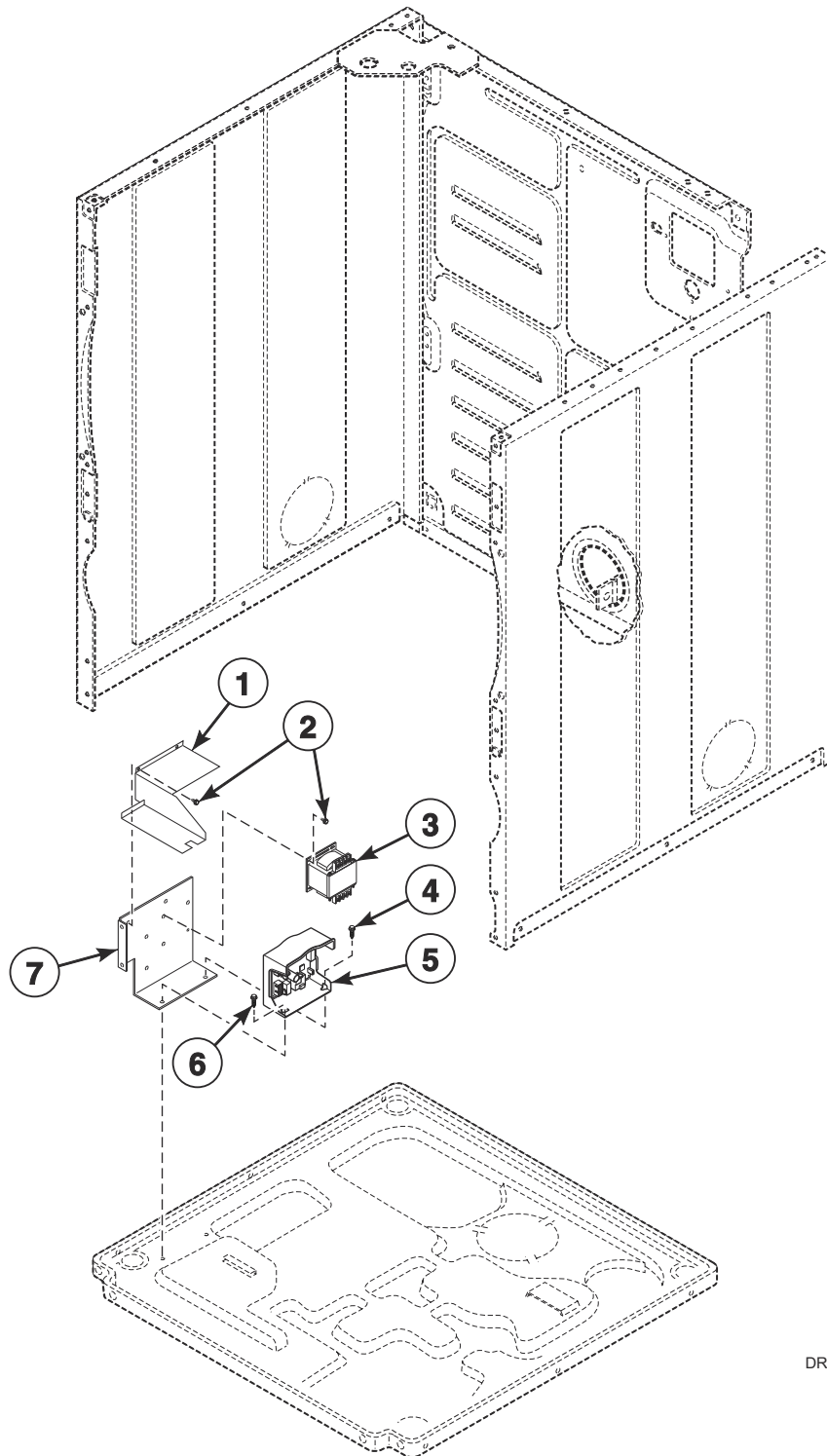


DRY2405P_515156

Cabinet, Exhaust Duct and Base - Stacked Dryers (Drawing 1 of 2)

REF	PART NO.	DESCRIPTION	COMMENTS
	122P4P	Porcelain Touch-Up Paint	White
1	D503688	Screw	
2	D510146	Bracket	
3	D510032WP	Top Kit	White
4	D510136	Top Hinge	
5	D511004	Gas Clearance Label	Models LSGA5FGS113TW01, LSGE5AGS113TW01, LSGE5AGW093CW01, LSGE5AGW113TW01 and YSGE5AGS113TW01
6	D514632P	Cabinet Rear Panel	
7	D514356	Access Cover Plate	Model LSLE5AGS303LW26
	D510903	Access Panel Plate	All other models
8	521P3	Flexible Venting Kit	
9	D511005	Electric Clearance Label	Models LSEA5FGS153TW01, LSEA5FGS153TW04, LSEA5FGS173TW01, LSEA5FGS173TW04, LSEE5AGS153TW01, LSEE5AGS173TW01, LSEE5AGW153TW01, LSEE5AGW173TW01, LSEE5AGW283CW01, LSEE5AGW293CW01, YSEE5AGS153TW01 and YSEE5AGS173TW01
	F8211201	Electrical Shock Label	Models LSLE5AGW543NW23 and LSLE5AGW543ZW01
10	D516196	Exhaust Duct	Each dryer requires 2 pieces
11	D510002WP	Cabinet Side Panel	White; Right
12	528P3	Directional Exhaust Kit	Used to vent dryer out the sides
13	526P3	Hold Down Kit	For mobile home installations
14	D510135	Leveling Leg	
15	D514245	Dryer Base	
16	26509	Washer	
17	36048	Screw	
18	D510001WP	Cabinet Side Panel	White; Left
19	56079	Panel Locator	
20	39733	Screw	
21	56128	Bumper Pad	

Cabinet, Exhaust Duct and Base - Stacked Dryers (Drawing 2 of 2)



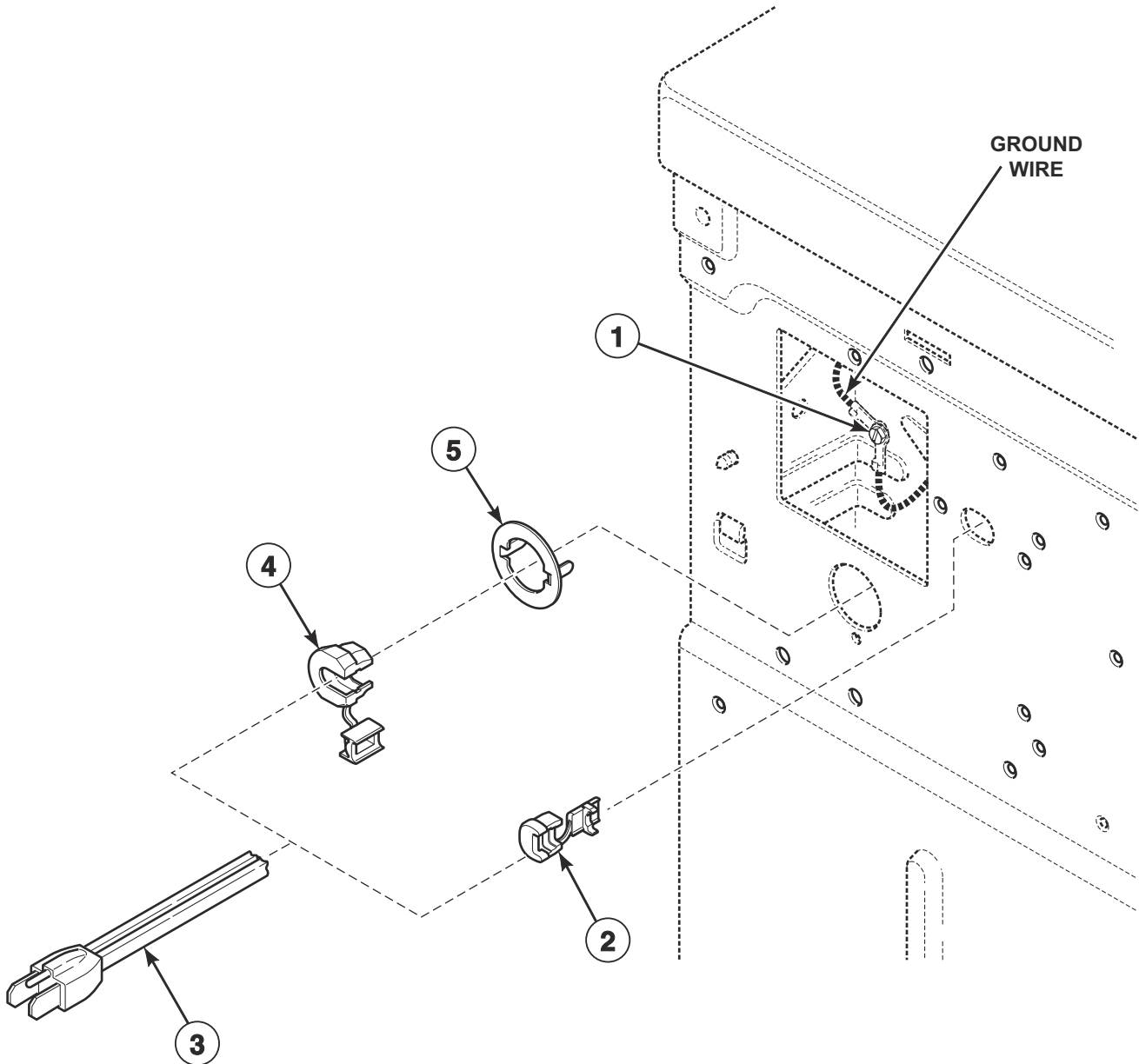
DRY2415P_515156

Cabinet, Exhaust Duct and Base - Stacked Dryers (Drawing 2 of 2)

REF	PART NO.	DESCRIPTION	COMMENTS
1	D514334	Transformer Shield	Models LSLE5AGS303LW26, LSLE5AGS303NW22, LSLE5AGS303NW35, LSLE5AGW543NW23 and LSLE5AGW543ZW01
2	D503688	Screw	
3	D513763P	Transformer	Models LSLE5AGS303LW26, LSLE5AGS303NW22, LSLE5AGS303NW35, LSLE5AGW543NW23 and LSLE5AGW543ZW01
4	804667	Screw	
5	D517269	Output Control Assembly	Models LSLE5AGS303LW26, LSLE5AGS303NW22, LSLE5AGS303NW35 and LSLE5AGW543NW23
	D517319	Output Control Assembly	Model LSLE5AGS303LW26
	D513797P	Output Control Assembly	2 required; All other models
6	D514428	Screw	
7	D511859	Contactoer Bracket	Models LSLE5AGS303LW26, LSLE5AGS303NW22, LSLE5AGS303NW35, LSLE5AGW543NW23 and LSLE5AGW543ZW01

Lead-In Cord

Models BDEE6BGS173CW01, BDGE6BGS113CW01, BDGE6BGS113TW01, FDEE5BGS543MW01, FDGE5BGS113MW01, FDGE5BGS303ZW38, FDLE5BGS123MW01, LDEE5BGS173CW01, LDEE7RGS153CW01, LDEE7RGS173CW01, LDGA5RGS113TW01, LDGE5BGS113CW01, LDGE5BGS113TW01, LDGE5RGS113TW01, LDGE7RGS113CW01, LDGE7RGS113TW01, LDGE7RWS113TQ01, LDGE7RWS113TW01, LDLE7RGS303LW26, LDLE7RWS303NW26, LSEE5AGW283CW01, LSEE5AGW293CW01, LSGA5FGS113TW01, LSGE5AGS083NW01, LSGE5AGS103NW01, LSGE5AGS113TW01, LSGE5AGW093CW01, LSGE5AGW113TW01, LSLE5AGS303LW26, LSLE5AGS303NW22, LSLE5AGS303NW35, LSLE5AGW543NW23, PDGE3BGS113TG01, PDGE3BGS113TW01, PDGE4RGS113CG01, PDGE4RGS113TG01, PDGE4RGS113TW01, UDEE5BGS173CW01, UDEE5BGS173CW08, UDGE5BGS113TW01, YDEE5BGS173CW01, YDEE7RGS153CW01, YDEE7RGS153TW01, YDEE7RGS173CW01, YDGE5BGS113CW01, YDGE7RGS113CW01, YDGE7RGS113TW01 and YSGE5AGS113TW01



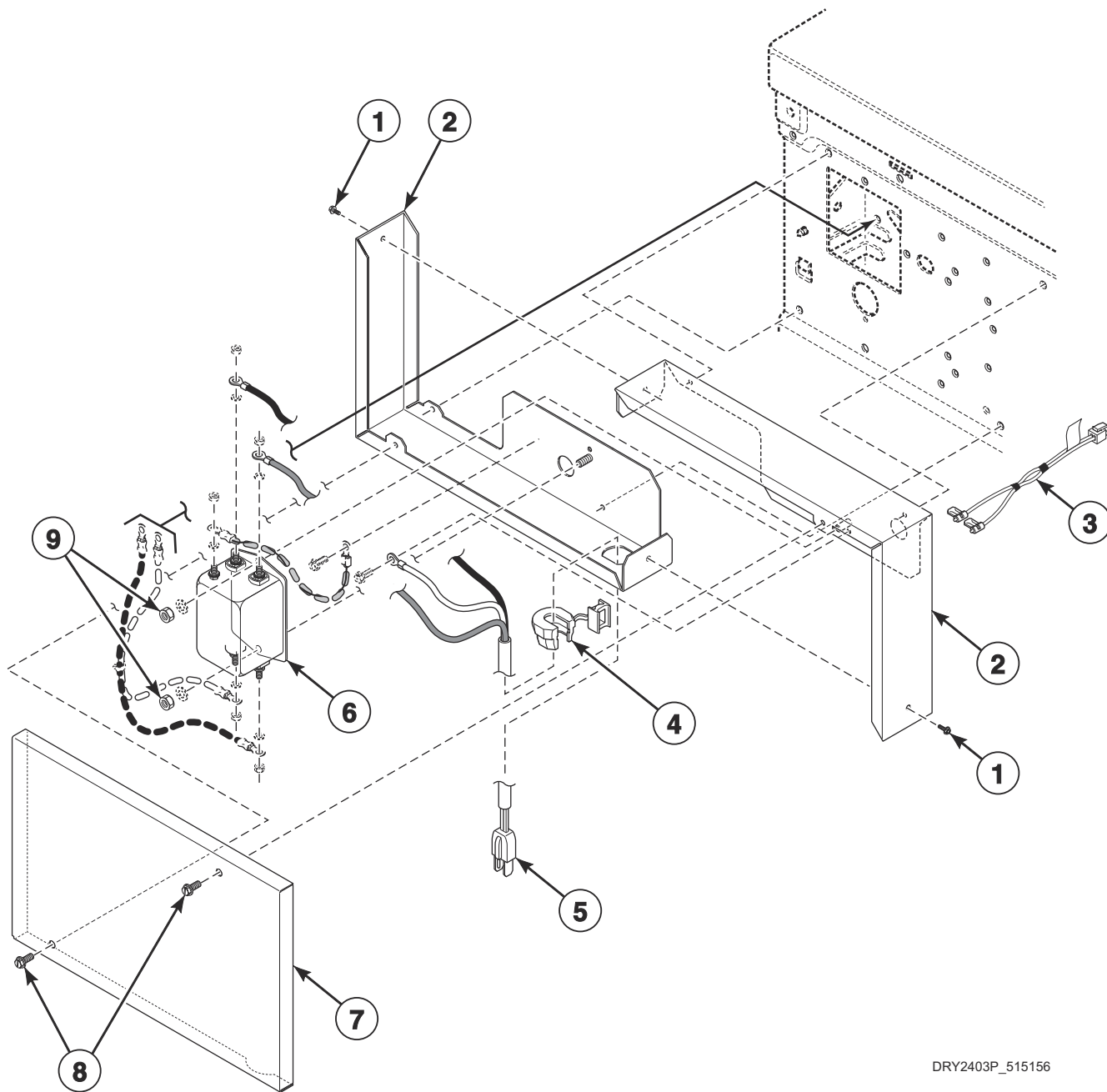
SWD1222P_515156

Lead-In Cord

REF	PART NO.	DESCRIPTION	COMMENTS
1	20530	Screw	
2	38384	Strain Relief	Models BDGE6BGS113CW01, BDGE6BGS113TW01, FDGE5BGS113MW01, FDLE5BGS123MW01, LDGA5RGS113TW01, LDGE5BGS113CW01, LDGE5BGS113TW01, LDGE5RGS113TW01, LDGE7RGS113CW01, LDGE7RGS113TW01, LDGE7RWS113TQ01, LDGE7RWS113TW01, LDLE7RGS303LW26, LDLE7RWS303NW26, LSGA5FGS113TW01, LSGE5AGS083NW01, LSGE5AGS103NW01, LSGE5AGS113TW01, LSGE5AGW093CW01, LSGE5AGW113TW01, LSLE5AGS303NW35, PDGE3BGS113TG01, PDGE3BGS113TW01, PDGE4RGS113CG01, PDGE4RGS113TG01, PDGE4RGS113TW01, UDGE5BGS113TW01, YDGE5BGS113CW01, YDGE7RGS113CW01, YDGE7RGS113TW01 and YSGE5AGS113TW01
	D517492	Strain Relief	Model FDEE5BGS543MW01
	D517491	Strain Relief	Models FDGE5BGS303ZW38 and LSLE5AGS303LW26
3	203344	Lead-In Cord	Models FDGE5BGS303ZW38, LSLE5AGS303NW22 and LSLE5AGW543NW23
	D515467	Lead-In Cord	Model LSLE5AGS303LW26
	D516747	Lead-In Cord	Model FDEE5BGS543MW01
	D510505P	Lead-In Cord Assembly	Models BDEE6BGS173CW01, LDEE5BGS173CW01, LDEE7RGS153CW01, LDEE7RGS173CW01, LSEE5AGW283CW01, LSEE5AGW293CW01, UDEE5BGS173CW01, UDEE5BGS173CW08, YDEE5BGS173CW01, YDEE7RGS153CW01, YDEE7RGS153TW01 and YDEE7RGS173CW01
	D506081	Power Cord Assembly	Model LSLE5AGS303NW35
	D518387	Lead-In Cord	All other models
4	60298	Strain Relief	Models LSLE5AGS303NW22 and LSLE5AGW543NW23
5	D502496	Strain Relief Adapter	Models LSLE5AGS303NW22 and LSLE5AGW543NW23

Power Cord and Junction Box

Models LDLE5BGS303LW01, LDLE5BGS303NW26, LDLE7RGS303LW26, LDLE7RGS303NW26, LDLE7RWS303NW26 and LSLE5AGW543ZW01

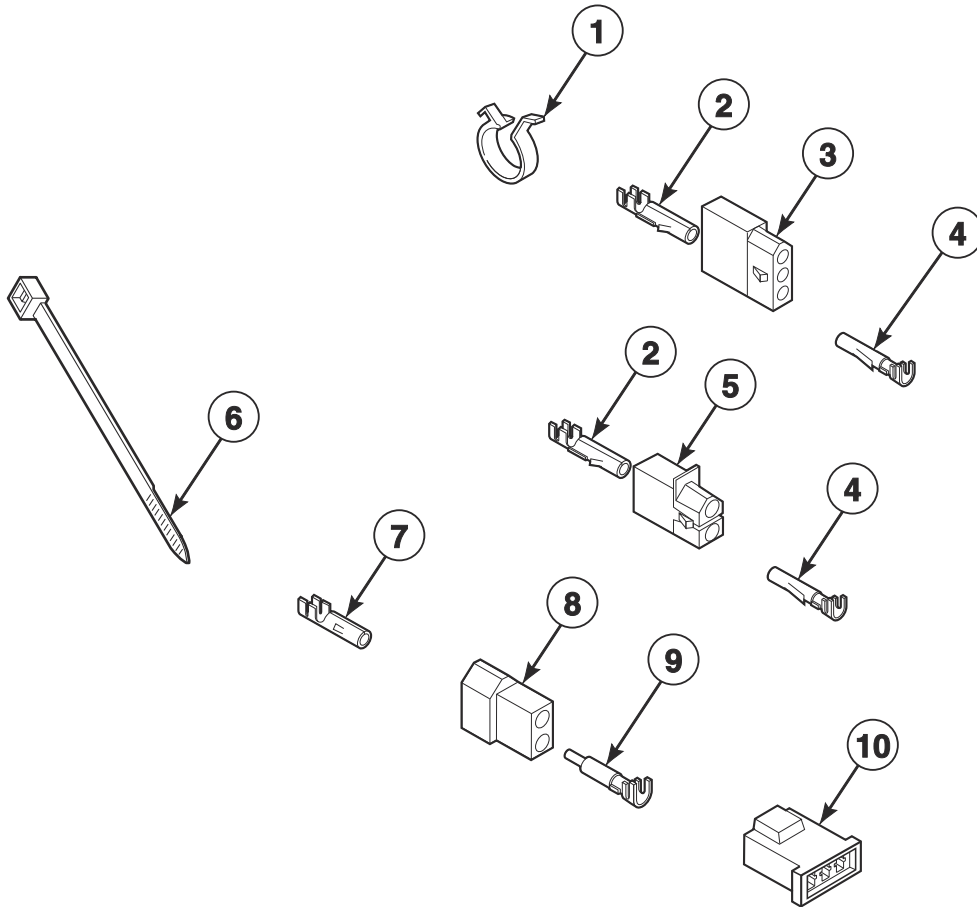


DRY2403P_515156

Power Cord and Junction Box

REF	PART NO.	DESCRIPTION	COMMENTS
	20530	Screw	
	D503688	Screw	
	D514379P	Junction Box Seal	2 required
	D514390	Junction Box Assembly	
1	61199	Screw	
2	D516152	Junction Box Assembly	
3	804396	Filter Harness	
4	60298	Strain Relief	
5	203208	Lead-In Cord	Model LSLE5AGW543ZW01
	203315	Lead-In Cord	Models LDLE5BGS303LW01 and LDLE7RGS303LW26
	202925	Lead-In Cord	All other models
6	804864	Line Filter	
7	D514363	Junction Box Cover	
8	D503661	Screw	2 required
9	29787	Nut	2 required

Terminal Block and Terminals

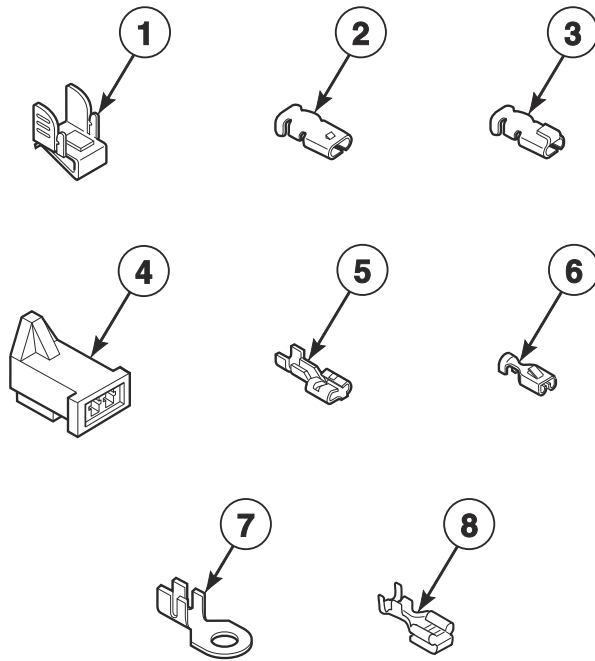


DRY1764P_515156

Terminal Block and Terminals

REF	PART NO.	DESCRIPTION	COMMENTS
1	D504034	Wire Clip	11/16 inch
	687500	Wire Clip	1 inch
2	00117	Female Pin Terminal	
	00129	Male Pin Terminal	1/8 inch
3	23039	3 Circuit Receptacle	
4	00116	Male Pin Terminal	
	00128	Female Pin Terminal	1/8 inch
5	56451	2 Circuit Receptacle	
	56855	12 Circuit Receptacle	
6	55881	Harness Strap	
7	00130	Female Pin Terminal	1/8 inch
8	56266	2 Circuit Plug	
9	00127	Male Pin Terminal	1/8 inch
10	58800	3 Circuit Connector	

Terminals

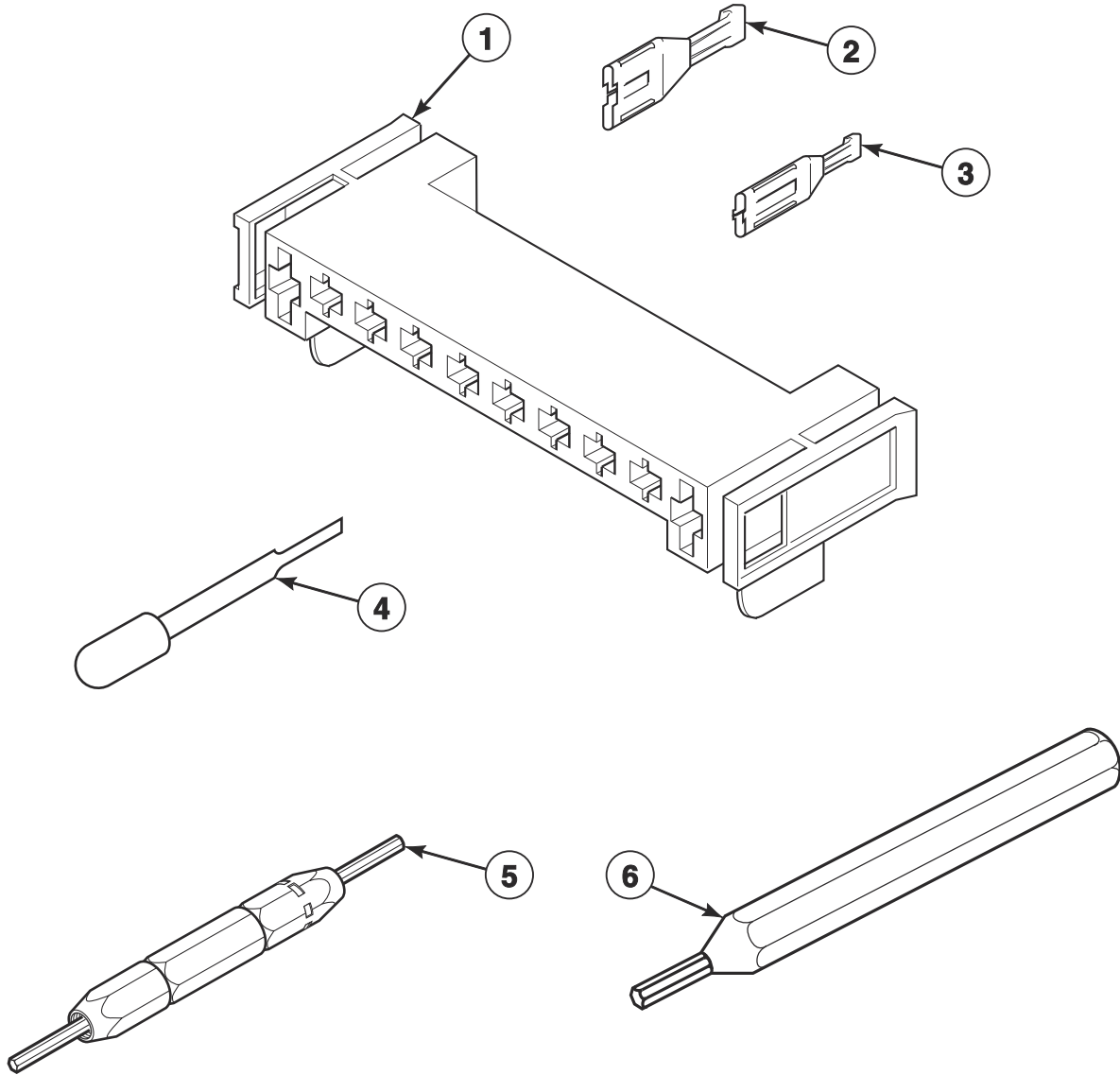


DRY2406P_515156

Terminals

REF	PART NO.	DESCRIPTION	COMMENTS
1	00161	Grounding Clip	
2	00189	Female Spade Terminal	1/8 inch
3	00361	Female Piggyback Terminal	
4	58799	2 Circuit Connector	
5	00223	Female Spade Terminal	1/4 inch; (1) 18 gauge wire
	00121	Female Spade Terminal	1/4 inch; (2) 18 gauge wires or (1) 12 gauge wire
6	00321	Female Spade Terminal	1/4 inch; (2) 18 gauge wires or (1) 12 gauge wire
7	00110	Ring Terminal	No. 10; (1) 18 gauge wire
8	00344	Female Tab Terminal	1/4 inch

Terminals and Terminal Extractor Tools

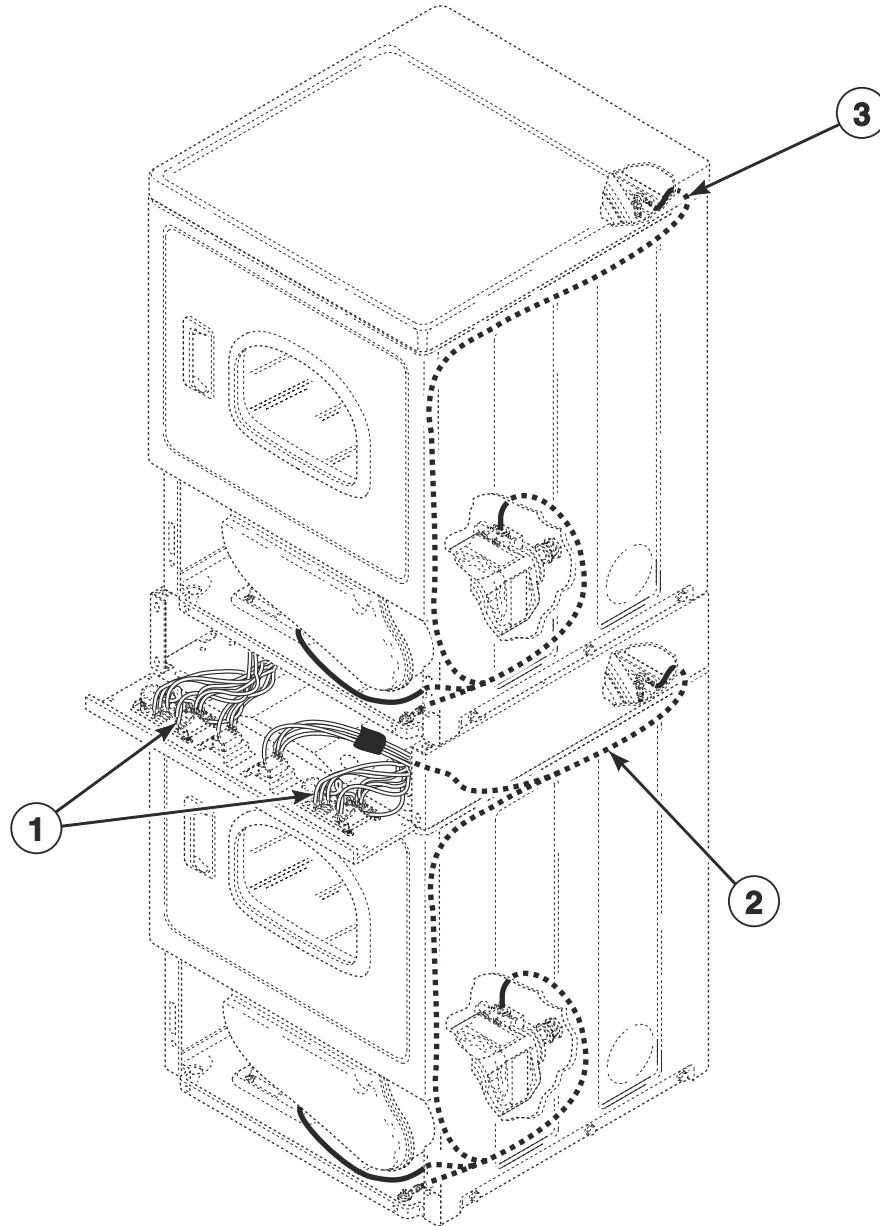


DRY1767P_515156

Terminals and Terminal Extractor Tools

REF	PART NO.	DESCRIPTION	COMMENTS
1	D500338	10 Position Housing	
2	00255	Female Terminal	1/4 inch; (1) 12 gauge wire
	00256	Female Terminal	1/4 inch; (1) or (2) 18 gauge wires
3	00188	Female Terminal	For 1 or 2 wire application
4	283P4	Terminal Extractor Tool	For use on Molex connectors
5	190P4	Extractor Tool	For use on electric dryer terminals
6	128P4	Extractor Tool	For use on gas dryer terminals

Wire Harnesses and Wires - Gas Stack Models



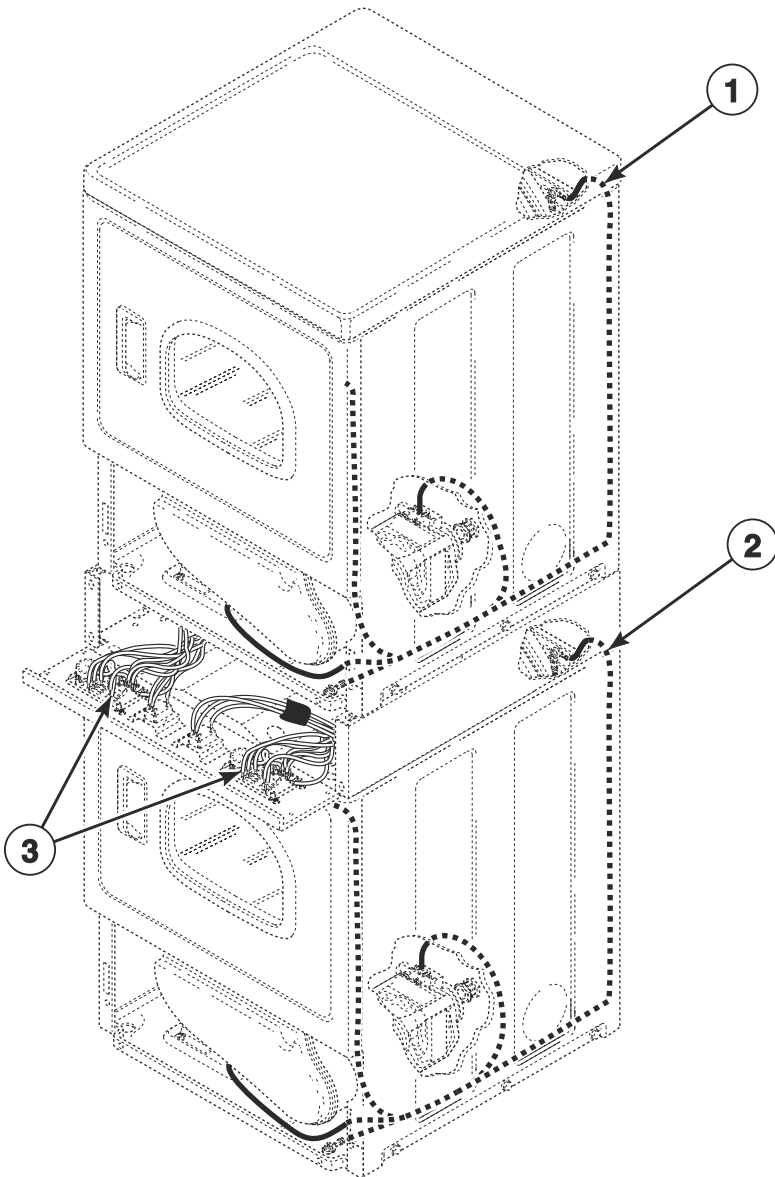
DRY2269P_515156

Wire Harnesses and Wires - Gas Stack Models

REF	PART NO.	DESCRIPTION	COMMENTS
	45380	12 Gauge Wire	Orange; Order wire by the foot; Order terminals and connectors as required
	45001	18 Gauge Wire	Black; Order wire by the foot; Order terminals and connectors as required
	D517236	Broken Belt Harness	All models except LSLE5AGS303NW22, LSLE5AGS303NW35, LSLE5AGW543NW23 and LSLE5AGW543ZW01 starting Serial No. 1903000001
1	D513991	Security Cabinet Harness	
2	D517095	Gas Harness	Models LSGA5FGS113TW01, LSGE5AGS113TW01, LSGE5AGW093CW01, LSGE5AGW113TW01 and YSGE5AGS113TW01 through Serial No. 1903000001
	D517205	Gas Harness	Models LSGA5FGS113TW01, LSGE5AGS113TW01, LSGE5AGW093CW01, LSGE5AGW113TW01 and YSGE5AGS113TW01 starting Serial No. 1903000001
	D517099	Gas Harness	Models LSLE5AGS303NW22, LSLE5AGS303NW35, LSLE5AGW543NW23 and LSLE5AGW543ZW01 through Serial No. 1710000001
	D517099	Gas Harness	Models LSLE5AGS303NW22, LSLE5AGS303NW35, LSLE5AGW543NW23 and LSLE5AGW543ZW01 starting Serial No. 1710000001
	D517479	Gas Harness	Model LSLE5AGS303LW26
3	D517094	Upper Gas Harness	Models LSGA5FGS113TW01, LSGE5AGS113TW01, LSGE5AGW093CW01, LSGE5AGW113TW01 and YSGE5AGS113TW01 through Serial No. 1903000001
	D517203	Upper Harness	Models LSGA5FGS113TW01, LSGE5AGS113TW01, LSGE5AGW093CW01, LSGE5AGW113TW01 and YSGE5AGS113TW01 starting Serial No. 1903000001
	D517098	Upper Gas Harness	Models LSLE5AGS303LW26, LSLE5AGS303NW22, LSLE5AGS303NW35, LSLE5AGW543NW23 and LSLE5AGW543ZW01

NOTE: Individual wires are not available separately. Order complete wire harness, or order wire by the foot. When applying terminals to wires, it is recommended that the terminals be soldered to the wires.

Wire Harnesses and Wires - Electric Stack Models



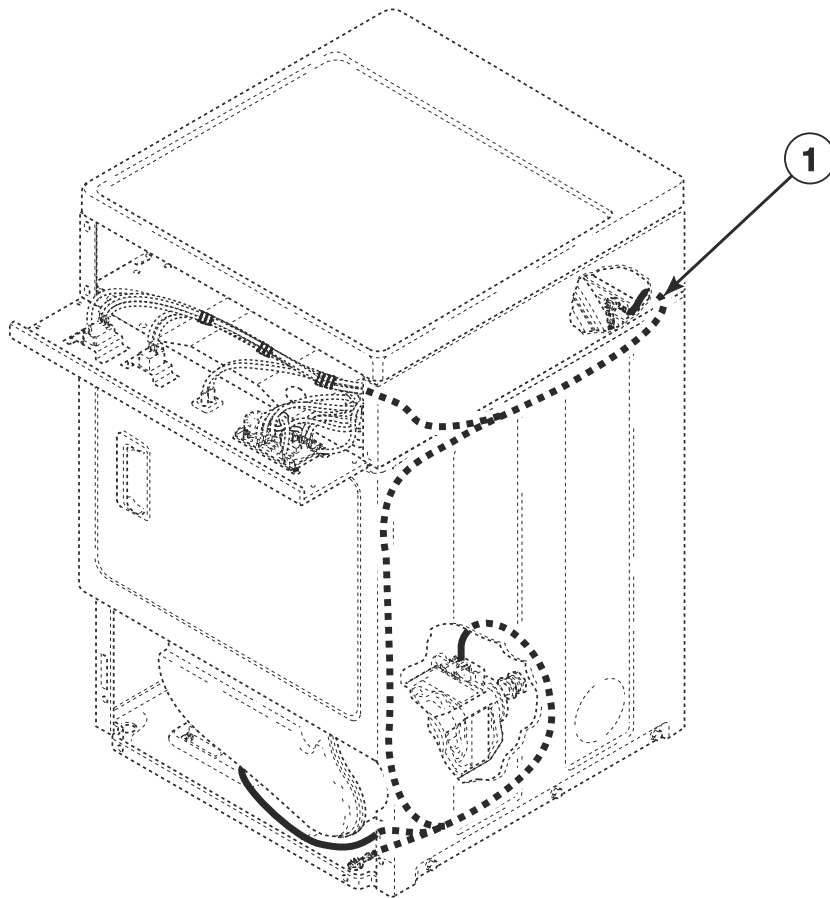
DRY2289P_515156

Wire Harnesses and Wires - Electric Stack Models

REF	PART NO.	DESCRIPTION	COMMENTS
	45380	12 Gauge Wire	Orange; Order wire by the foot; Order terminals and connectors as required
	45001	18 Gauge Wire	Black; Order wire by the foot; Order terminals and connectors as required
	D517236	Broken Belt Harness	Starting Serial No. 1903000001
1	D517238	Upper Electric Harness	Through Serial No. 1903000001
	D517204	Upper Harness	Starting Serial No. 1903000001
2	D517240	Electronic Harness	Through Serial No. 1903000001
	D517206	Electric Harness	Starting Serial No. 1903000001
3	D513991	Security Cabinet Harness	

NOTE: Individual wires are not available separately. Order complete wire harness, or order wire by the foot. When applying terminals to wires, it is recommended that the terminals be soldered to the wires.

Wire Harnesses and Wires - Gas Front Control Single Models



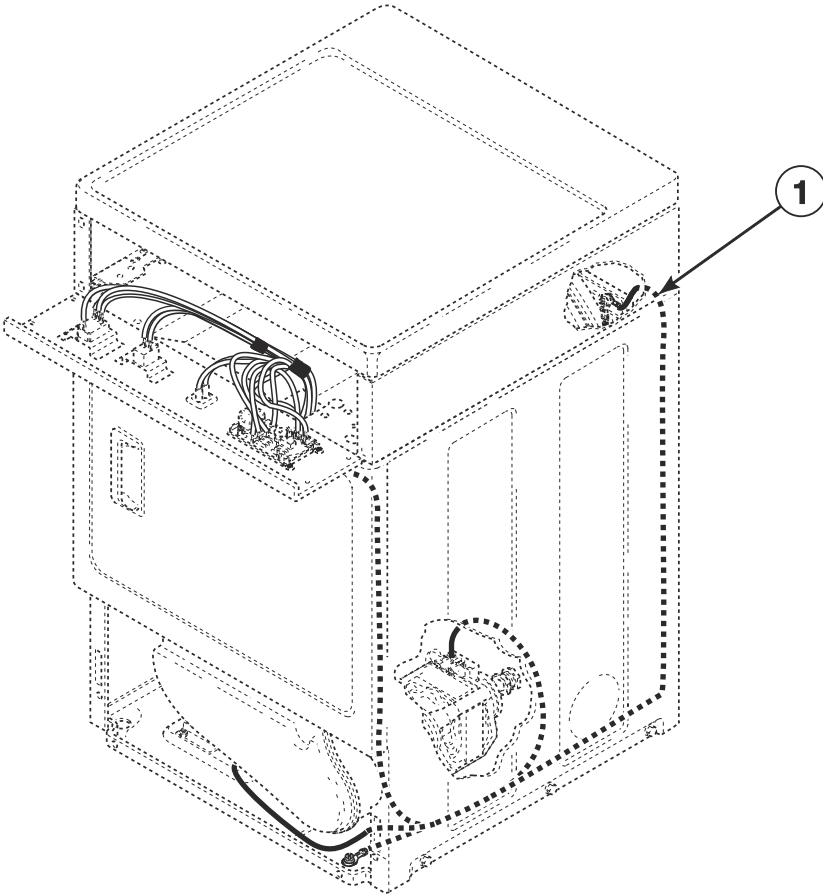
DRY2046P_515156

Wire Harnesses and Wires - Gas Front Control Single Models

REF	PART NO.	DESCRIPTION	COMMENTS
	45380	12 Gauge Wire	Orange; Order wire by the foot; Order terminals and connectors as required
	45001	18 Gauge Wire	Black; Order wire by the foot; Order terminals and connectors as required
	D517236	Broken Belt Harness	All models except LDLE5BGS303LW01 and LDLE5BGS303NW26 starting Serial No. 1903000001
1	D517102	Gas Harness	Model YDGE7RGS113CW01 through Serial No. 1903000001
	D517253	Gas Harness	Model YDGE7RGS113CW01 starting Serial No. 1903000001
	D517095	Gas Harness	Models BDGE6BGS113CW01, BDGE6BGS113TW01, FDGE5BGS113MW01, LDGE5BGS113CW01, LDGE5BGS113TW01, PDGE3BGS113TG01, PDGE3BGS113TW01, UDGE5BGS113TW01 and YDGE5BGS113CW01 through Serial No.1903000001
	D517205	Gas Harness	Models BDGE6BGS113CW01, BDGE6BGS113TW01, FDGE5BGS113MW01, FDGE5BGS303ZW38, FDLE5BGS123MW01, LDGE5BGS113CW01, LDGE5BGS113TW01, PDGE3BGS113TG01, PDGE3BGS113TW01, UDGE5BGS113TW01 and YDGE5BGS113CW01 starting Serial No.1903000001
	D517099	Gas Harness	Models LDLE5BGS303LW01 and LDLE5BGS303NW26

NOTE: Individual wires are not available separately. Order complete wire harness, or order wire by the foot. When applying terminals to wires, it is recommended that the terminals be soldered to the wires.

Wire Harnesses and Wires - Electric Front Control Single Models



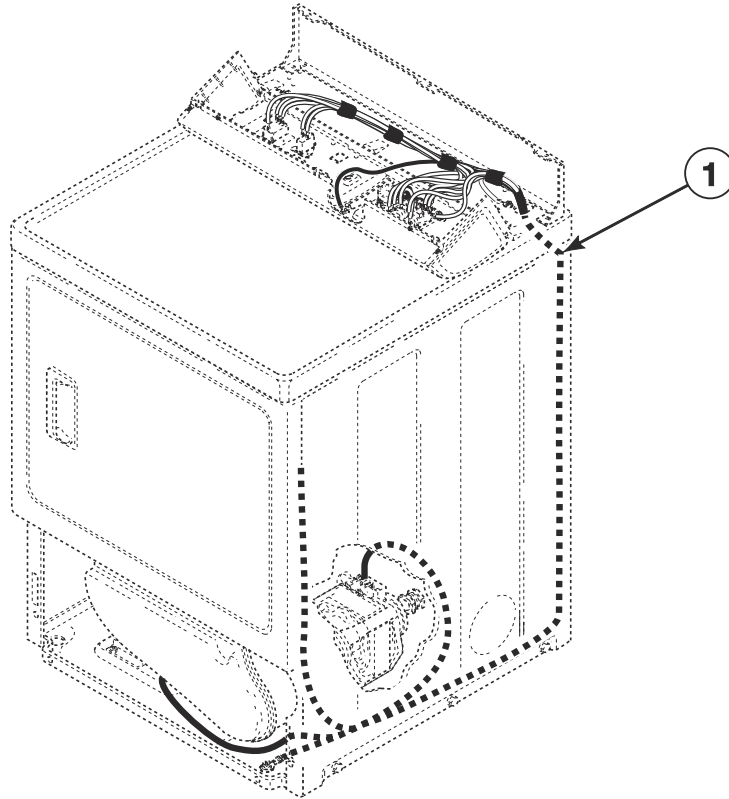
DRY2290P_515156

Wire Harnesses and Wires - Electric Front Control Single Models

REF	PART NO.	DESCRIPTION	COMMENTS
	45380	12 Gauge Wire	Orange; Order wire by the foot; Order terminals and connectors as required
	45001	18 Gauge Wire	Black; Order wire by the foot; Order terminals and connectors as required
	D513991	Security Cabinet Harness	
	D517236	Broken Belt Harness	Starting Serial No. 1903000001
1	D517240	Electronic Harness	Through Serial No. 1903000001
	D517206	Electric Harness	Starting Serial No. 1903000001

NOTE: Individual wires are not available separately. Order complete wire harness, or order wire by the foot. When applying terminals to wires, it is recommended that the terminals be soldered to the wires.

Wire Harnesses and Wires - Rear Control Single Models



DRY2268P_515156

Wire Harnesses and Wires - Rear Control Single Models

REF	PART NO.	DESCRIPTION	COMMENTS
	45380	12 Gauge Wire	Orange; Order wire by the foot; Order terminals and connectors as required
	45001	18 Gauge Wire	Black; Order wire by the foot; Order terminals and connectors as required
	D517236	Broken Belt Harness	All models except LDLE7RGS303NW26 and LDLE7RWS303NW26 starting Serial No. 1903000001
1	D517254	Electric Harness	Models LDEA5RGS173TW01, LDEA5RGS173TW04, LDEE7RGS153CW01, LDEE7RGS173CW01, LDEE7RGS173TW01, LDEE7RWS173TW01, PDEE4RGS173TG01, PDEE4RGS173TW01, YDEE7RGS153CW01, YDEE7RGS173CW01 and YDEE7RGS173TW01 through Serial No. 1903000001
	D517220	Electric Harness	Models LDEA5RGS173TW01, LDEA5RGS173TW04, LDEE7RGS153CW01, LDEE7RGS173CW01, LDEE7RGS173TW01, LDEE7RWS173TW01, PDEE4RGS173TG01, PDEE4RGS173TW01, YDEE7RGS153CW01, YDEE7RGS153TW01, YDEE7RGS173CW01 and YDEE7RGS173TW01 starting Serial No. 1903000001
	D517102	Gas Harness	Models LDGA5RGS113TW01, LDGE7RGS113CW01, LDGE7RGS113TW01, LDGE7RWS113TQ01, LDGE7RWS113TW01, LDLE7RGS303NW26, PDGE4RGS113CG01, PDGE4RGS113TG01, PDGE4RGS113TW01 and YDGE7RGS113CW01 through Serial No. 1903000001
	D517253	Gas Harness	Models LDGA5RGS113TW01, LDGE7RGS113CW01, LDGE7RGS113TW01, LDGE7RWS113TQ01, LDGE7RWS113TW01, LDLE7RGS303NW26, PDGE4RGS113CG01, PDGE4RGS113TG01, PDGE4RGS113TW01, YDGE7RGS113CW01 and YDGE7RGS113TW01 starting Serial No. 1903000001
	D517475	Gas Harness	Model LDGE5RGS113TW01 through Serial No.1710000001
	D517104	Harness Assembly	Models LDLE7RGS303LW26, LDLE7RGS303NW26 and LDLE7RWS303NW26

NOTE: Individual wires are not available separately. Order complete wire harness, or order wire by the foot. When applying terminals to wires, it is recommended that the terminals be soldered to the wires.

Parts Index

A

Access Cover Plate	
D514356	39, 43
Access Panel Assembly	
D514250DG	17
D514250Q	17
D514250WP	17
Access Panel Plate	
D510903	39, 43
Adhesive	
D511637P	23, 29
Air Duct Assembly	
D518431	25
D518432	25
D518433	25
Anti-Seize Compound	
27604P	19

B

Bar Sensor	
D513737	23
Blower and Fan Kit	
D510717P	21
Blower Fan Assembly	
D510139P	19
Blower Housing	
D511969WP	19
Blower Housing Seal	
D510238P	19
Booster and Holding Coil	
58804A	35, 37
Bracket	
D510146	43
Broken Belt Harness	
D517236	57, 59, 61, 63, 65
Bumper Pad	
56128	39, 43
Burner Assembly	
D510149P	35, 37

C

Cabinet Rear Panel	
D514632P	39, 43
Cabinet Side Panel	
D510001DGP	39
D510001QP	39
D510001WP	39, 43
D510002DGP	39
D510002QP	39
D510002WP	39, 43
Clearance Warning Label	
D505984	39
Combustion Duct	
D510131	33
D510132	33

Connector, 2 Circuit	
58799	53
Connector, 3 Circuit	
58800	51
Contacting Bracket	
D511859	41, 45
Control	
D514566P	9
Control Access Panel	
804741	9
804793	9
Control Assembly	
D514121P	5, 9
D514336P	9
D514565P	9, 11
D515430P	5
D515505P	5
D515506P	5
D517582	5
D517584	5
Control Bracket	
804611	9
Control Cabinet	
804639W	11
804640W	11
Control Cabinet Side	
800900WP	7
Control Overlay	
D514188	5
D514189	5
D514191	5
D514482	9
D514889	11
D514925	9
D515572	11
D515678	5
D515682	9
D517780	9
D518270	9
D518712	9
Control Panel	
803960WP	11
806120W	11
807887	9
Control Panel Assembly	
804659W	9
804960	9
805005	9
Control Support Panel	
804836	5
Control Wrapper	
804627DG	7
804627W	7
804630DG	7
804630W	7
Cylinder Assembly	
D510159WP	23
D510265LGP	23
D510265WP	23
Cylinder Baffle	
D510102LG	23
D510102W	23

N/A items do not appear in index.

Cylinder Belt	
D511255P	19
Cylinder Glide	
D513710	23
Cylinder Glide Bracket	
D510145	23
Cylinder Roller	
D510708P	29
Cylinder Roller Bracket	
D510100	29
Cylinder Seal Assembly	
D510207P	23, 29

D

Directional Exhaust Kit	
528P3	41, 43
Door Assembly	
D516510WP	15
D516737W	13
Door Catch Assembly	
D510177	17
Door Handle Wedge	
D510129W	13, 15
Door Liner Assembly	
D516508	15
Door Liner Grill	
D503870LG	13
D503870W	13
Door Pull	
D512947	15
Door Pull and Wedge Kit	
D510103QP	15
D510103WP	13, 15
Door Strike	
D510181	13, 15
Door Strike Mount	
D510127	13, 15
Drip Shield	
D514327	17
Dryer Base	
D514245	41, 43
Dryer Door	
D510013DG	15
D510013QP	15
D510013WP	15
D510082WP	13
D515961W	13
Dryer Door Window	
D503982P	13
D515681	13
Drying Rack	
D512082P	23

E

Elbow	
D513072	35
Elbow Shut-Off Valve	
D510205	35
Electric Clearance Label	
D511005	39, 43

Electric Harness	
D517206	59, 63
D517220	65
D517254	65
Electrical Shock Label	
F8211201	25, 27, 43
Electronic Harness	
D517240	59, 63
End Panel	
D504006P	5
D504007P	5
D504008W	5
D504009WP	5
Exhaust Duct	
D516196	39, 43
Exhaust Fumes Label	
D502507	39
Expansion Clip	
70030501	7, 11
Extractor Tool	
128P4	55
190P4	55

F

Felt Pad	
D510189	23
Female Piggyback Terminal	
00361	53
Female Pin Terminal	
00117	51
00128	51
00130	51
Female Spade Terminal	
00121	53
00189	53
00223	53
00321	53
Female Tab Terminal	
00344	53
Female Terminal	
00188	55
00255	55
00256	55
Filter Harness	
804396	49
Flexible Venting Kit	
521P3	39, 43
Front Bulkhead	
D515535WP	23
Front Bulkhead Assembly	
D515532P	23
Front Panel	
D510066DG	17
D510066QP	17
D510066WP	17
Front Panel Assembly	
D513781WP	17
Front Panel Seal	
D511056	17

N/A items do not appear in index.

G

Gas Clearance Label	
D511004	39, 43
Gas Harness	
D517095	57, 61
D517099	57, 61
D517102	61, 65
D517205	57, 61
D517253	61, 65
D517475	65
D517479	57
Gas Valve Assembly	
D510506P	35
D513630	35
D513631	35
Gas Valve Mounting Bracket	
D510128	35, 37
Gas Valve, Bracket and Pipe Assembly	
D517406	37
D517497	37
D517502	37
D517609	37
D517611	37
D517612	37
Glide Kit	
RB170003	23
Graphic Panel	
805406	5
805448	5
805608	5
Grounding Clip	
00161	53

H

Harness Assembly	
D517104	65
Harness Strap	
55881	51
Heat Duct Shroud	
D510101	33
Heater	
D510325P	31
Heater Assembly	
D510324P	31
D510329P	31
D510330P	31
Heater Duct Assembly	
D510025P	31, 33
Heater Kit	
964P3	31
965P3	31
Heater Kit Assembly	
61927	31
61928	31
Hinge	
D511036	13, 15
Hinge Hole Plug	
D510186	17
Hold Down Kit	
526P3	41, 43

Hood Back Panel	
804169	5
Housing, 10 Position	
D500338	55

I

Idler Lever	
D516310	21
Idler Lever and Wheel Assembly	
D516792	21
Idler Spring	
D510185	21
Idler Wheel and Bearing Assembly	
D510142P	21
Igniter and Bracket Assembly	
D510184P	35, 37

J

Junction Box Assembly	
D514390	49
D516152	49
Junction Box Cover	
D514363	49
Junction Box Seal	
D514379P	49

L

Lead-In Cord	
D515467	47
D516747	47
D518387	47
202925	49
203208	49
203315	49
203344	47
Lead-In Cord Assembly	
D510505P	47
Lead-In Pipe Assembly	
D510204	35
Leveling Leg	
D510135	41, 43
Limit Thermostat	
D510701	31
D510702	33
Line Filter	
804864	49
Liner and Seal Assembly	
D516509	13
Liner Door Seal	
D510147P	13, 15
Liner, Seal and Grill Assembly	
D510163WP	15
Lint Filter	
D503980LG	27
D503980W	27
Lint Filter Cover	
D510502LG	27
D510502W	27

N/A items do not appear in index.

Lint Filter Label	
D502781	17
L.P. Conversion Kit	
D518067	37
649P3.....	35, 37

M

Male Pin Terminal	
00116	51
00127	51
00129	51
Moisture Sensor Base	
D513738	23
Motor and Pulley Assembly	
D505843P	19
D505869P	19
D511629P	19
Motor Hub Ring Kit	
590P3.....	19
Motor Mount	
D518517	21
Motor Mount Clamp	
D510180	19
Motor Pulley	
D500011.....	19
Motor Shield	
D514602	19
Motor Switch Bracket	
D516311.....	21

N

Nut	
29787	49
44071201	13
52566	21
56156	21, 29
N.G. Conversion Kit	
650P3.....	35, 37

O

Outlet Cover	
D500820	31, 33
D518524	31, 33
Output Board Shield	
D514420	41
Output Control Assembly	
D513797P	41, 45
D517191	41
D517269	41, 45
D517319	41, 45
Overlay	
D515082	5

P

Panel Locator	
56079	17, 39, 43

N/A items do not appear in index.

Pinch Warning Label	
F8615701	25, 27
Plug, 2 Circuit	
56266	51
Pop Rivet	
685847	7
Porcelain Touch-Up Paint	
122P4P	39, 43
370P4P	39
Power Cord Assembly	
D506081	47

R

Read Instructions Notice Label	
D516073.....	17
Rear Access Panel	
803998	11
804614	7
Rear Bulkhead	
D518128.....	29
Rear Bulkhead Assembly	
D511082P.....	29
Rear Control Cabinet	
804859	7, 11
Rear Wrapper Brace	
805345	7
Receptacle, 12 Circuit	
56855	51
Receptacle, 2 Circuit	
56451	51
Receptacle, 3 Circuit	
23039	51
Retaining Ring	
23748	21, 29
Ring Terminal	
00110.....	53
Roller Kit	
RB170002	29
Rubber Foot	
D501855.....	41

S

Screw	
D500226	13, 15, 23
D500824	21
D501086.....	5
D501285.....	27
D502535.....	21
D503661.....	7, 49
D503688.....	9, 11, 17, 19, 23, 29, 31, 33, 35, 37, 39, 43, 45, 49
D505870.....	13
D514428.....	41, 45
D515967.....	13
20530	47, 49
23222	31, 35, 37
31260	19
33562	17
36048	43
39733	17, 39, 43
44023301	29

51782	33, 35, 37
52864	23
56124	35, 37
61199	29, 49
62588	23
70240301	7, 11
804608	9
804667	41, 45
Seal Kit	
RB170001	23, 29
Secondary Coil	
58804B	35, 37
Security Cabinet Harness	
D513991	57, 59, 63
Sensor	
D510213	35, 37
Shaft	
56461P	21, 29
Shield Bracket	
804018	11
Shock Warning Label	
F8614201	25, 39
Speed Clip	
28835	17
Strain Relief	
D517491	47
D517492	47
38384	47
60298	47, 49
Strain Relief Adapter	
D502496	47
Switch	
D512973	17
D516391	21

T

Terminal Block Assembly	
D510190P	29
Terminal Block Shield	
D510237	29
D517715	29
Terminal Extractor Tool	
283P4	55
Thermal Fuse Assembly	
D518542	31
Thermistor Assembly	
D502366	21
D510523	21
Thermostat	
D510703	33
Thermostat Shield	
D514325	19
Top Cover	
D505808DG	5
D505808W	5
Top Hinge	
D510136	39, 43
Top Kit	
D510032WP	7, 43
Top Panel	
D510029DG	5
804685DG	7

804685WP	7
Top Panel Brace Assembly	
804613	9
Top Panel Guide	
803761	7
Top Panel Kit	
D510029WP	5
Transformer	
D513763P	41, 45
Transformer Shield	
D514334	41, 45

U

Upper Electric Harness	
D517238	59
Upper Gas Harness	
D517094	57
D517098	57
Upper Harness	
D517203	57
D517204	59

W

Warning Label	
D514867	17
D516512	17
D516514	17
44321601	39
44324001	25, 27
Warning/Caution Label	
D500281	17
Washer	
D504082	29
26509	43
52549	21, 29
Window Clip	
D513958	13
Window Trim	
D503981W	13
D515956W	13
Wire Assembly	
D518255	31
D518256	31
Wire Clip	
D504034	51
687500	51
Wire, 12 Gauge	
45380	57, 59, 61, 63, 65
Wire, 18 Gauge	
45001	57, 59, 61, 63, 65
Wrapper Assembly	
804112W	11

N/A items do not appear in index.

