

# RF29DB9700

SAMSUNG

## Bespoke 4-Door Flex™ Refrigerator with Beverage Zone™ and Auto Open Door



### Signature Features

#### Color Customization

Customize the design of your refrigerator with changeable door panels. Choose from a variety of colors and two finishes to create a space that fits your style.

#### Beverage Zone™

Enjoy a fridge within your fridge with two temperature settings, perfect for beverages, desserts, and more. Choose from an internal dispenser or a built-in AutoFill Water Pitcher that automatically refills, with the option to infuse with a flavor.

#### Auto Open Door

Open the refrigerator with ease, even if your hands are full, with Auto Open Door. With just a light touch of the door sensor, the refrigerator door will fully open.

#### Dual Ice Maker with Ice Bites™

Select from cubed ice or Ice Bites™ that chills your drink faster.\*

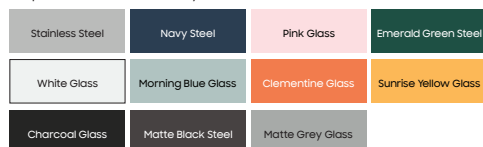
\*Compared to cubed ice.

### Available Colors

 Fingerprint Resistant Stainless Steel (shown)

 White Glass

Bespoke Custom Panel-Ready Color Selections



Beverage Zone™



Auto Open Door

### Design

- Bespoke Design
- Beverage Zone™
- Slide-In Shelf
- LED Lighting
- Gallon Door Bin

### Technology

- Wi-Fi Enabled
- Auto Open Door
- UV Deodorizing Filter
- Power Cool & Power Freeze
- Door Alarm
- Water Filter Indicator

### Performance

- FlexZone™
- Dual Auto Ice Maker with Ice Bites™ and Cubed Ice
- Extra-Large Flexible Storage
- 2 Crisper Drawers
- Triple Cooling
- Metal Cooling



### Rating



ENERGY STAR® rated:  
704 kWh/yr

# RF29DB9700

# SAMSUNG

## Bespoke 4-Door Flex™ Refrigerator with Beverage Zone™ and Auto Open Door

### Installation Specifications

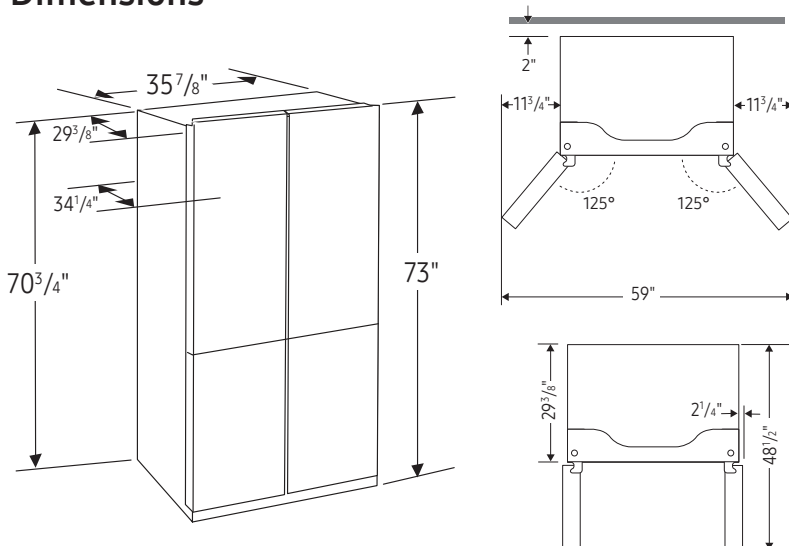
1. Measure the height, width and depth of the opening, making sure to include baseboards, molding tile, countertop overhang, etc. Check to be sure there is enough room to open the door (consider walls, islands or other obstacles when measuring).
2. Refer to illustrations below to determine dimensions.
3. Allow 2.5" of clearance on hinge side of refrigerator when installing next to a wall.
4. Allow 2" minimum clearance at rear for proper air circulation and water/electrical connections. Allow a 3/8" minimum clearance at sides and top for ease of installation.
5. Ensure each door and entryway in the home is wide enough for the refrigerator to be moved through easily.

For optimal usage and ability to open refrigerator doors completely, do not install next to a wall.

Please note: The following dimensions and cutout information is for planning purposes only. For complete installation details, consult manual packed with product or download manual online at [samsung.com](https://www.samsung.com).



### Dimensions



**Total Capacity: 28.6 cu. ft.**

**Refrigerator: 17 cu. ft.**

- 1 Slide-In Shelf, 3 Tempered Glass Spill-Proof Shelves
- 2 Clear Crisper Drawers
- 6 Door Bins with 1 Gallon Door Bin
- LED Lighting

**Freezer: 5.8 cu. ft.**

- Dual Ice Maker in Freezer (Ice Bites™ or Cubed Ice)  
2 Ice Buckets with Cover and 1 Scoop
- 4 Slide-Out Shelves
- 6 Door Bins
- LED Lighting

**FlexZone™: 5.8 cu. ft.**

- 5 Temperature Settings: Freeze, Soft Freeze, Meat/Fish, Fruit/Veggies, Beverage

### Accessories

Water Filter: HAF-QIN

### Warranty

One (1) Year Parts and Labor on Refrigerator  
Five (5) Years Parts and Labor on Sealed Refrigeration System Only\*  
Ten (10) Years Parts and Five (5) Years Labor on Digital Inverter Compressor

\*Compressor, evaporator, condenser, drier and connecting tubing.

### Product Dimensions

Dimensions (WxHxD with hinges and doors):

35<sup>7</sup>/<sub>8</sub>" x 73" x 34<sup>1</sup>/<sub>4</sub>"

Dimensions (WxHxD without hinges and doors):

35<sup>7</sup>/<sub>8</sub>" x 70<sup>3</sup>/<sub>4</sub>" x 29<sup>3</sup>/<sub>8</sub>"

### Shipping Dimensions (WxHxD)

Dimensions: 38<sup>1</sup>/<sub>4</sub>" x 78<sup>5</sup>/<sub>8</sub>" x 36<sup>1</sup>/<sub>4</sub>"

Color	Model #	UPC Code	Product & Shipping Weight (lbs)	
Fingerprint Resistant Stainless Steel	RF29DB9700QL	887276826950	354.9	377.0
White Glass	RF29DB970012	887276826943	361.6	383.6

### Bespoke Panel Color Selection

Stainless Steel, White Glass, Charcoal Glass, Navy Steel, Morning Blue Glass, Matte Black Steel, Pink Glass, Clementine Glass, Matte Grey Glass, Emerald Green Steel, Sunrise Yellow Glass