

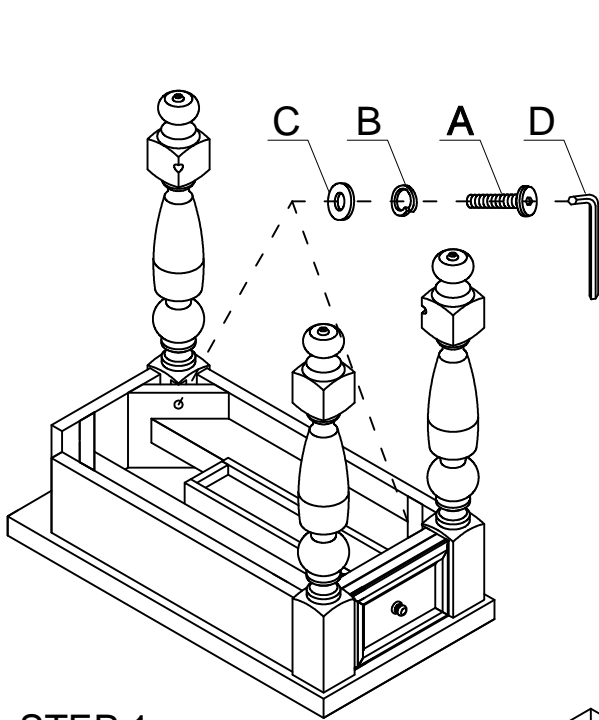


null | furniture

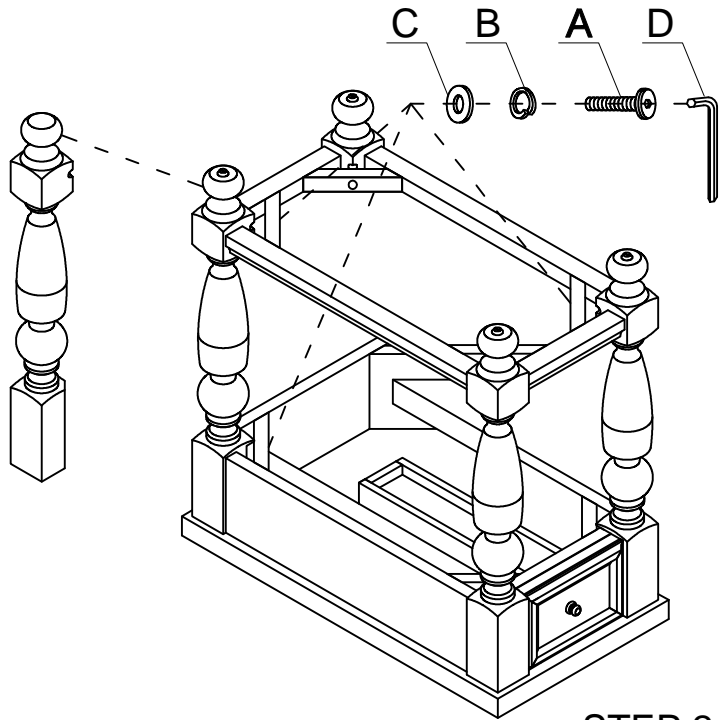
ASSEMBLY INSTRUCTION

ITEM NO:1221-07

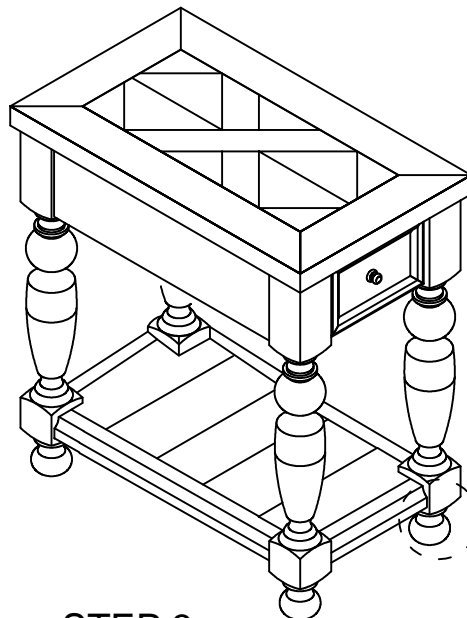
CHAIRSIDE TABLE



STEP 1



STEP 2



STEP 3

Please use the adjustable knobs to level the table

DO NOT TIGHTEN SCREWS UNTIL COMPLETELY ASSEMBLED

Item	Sketch	Description	Qty
A		Bolt 1/4"x2-1/2"	8 Pcs
B		Lock Washer 1/4"	8 Pcs
C		Flat Washer 1/4"x18	8 Pcs
D		Allen Wrench 1/4"	1 Pc