

Frigidaire



Top Freezer Refrigerator

18.3 Cu. Ft. Top Freezer Refrigerator

FFTR1835VS, FFTR1835VW, FFTR1835VB

Available Colors : Stainless Steel, White, Black

Version : 11/21

Refrigerator

Air Filter Ready	Yes
Crisper Color	Clear
Door Bin Color	White
Humidity Controls	Automatic
Interior Lighting	LED
Shelf Material	Glass
Number of Fixed Gallon Door Bins	2
Number of Adjustable Shelves	2
Number of Crispers	2

Freezer

Automatic Defrost	Yes
Baskets / Bins Color	White
Shelf Material	Glass
Number of Fixed Door Bins	2
Number of Adjustable Shelves	1

Ice Maker

Ice Maker	No
Ice Maker Ready	Yes

Controls

Digital Display	No
-----------------	----

Dimensions and Volume

Height With Hinge	66 3/8"
Height Without Hinge	65 7/8"
Width	30"
Width of Cabinet	30"
Depth of Cabinet	26 5/8"
Depth With Door	30 3/8"
Depth With Door 90° Open	57"
Depth With Door and Handle	30 3/8"
Freezer Capacity	4.9 Cu. Ft.
Fresh Food Capacity	13.4 Cu. Ft.

Total Capacity	18.3 Cu. Ft.
----------------	--------------

Electrical Specifications

Minimum Circuit Required	15 Amps
--------------------------	---------

General Specifications

Annual Energy	410 kWh
Refrigerant Type	R-600A
Warranty - Labor	1 Year
Warranty - Parts	1 Year

Certifications and Approvals

ADA Compliant	Yes
---------------	-----

Performance Certifications and Approvals

ENERGY STAR Certified	No
-----------------------	----

Safety Certifications and Approvals

UL Listed	Yes
-----------	-----

Note: For planning purposes only. Always consult local and national electric, gas and plumbing codes.

Refer to Product Installation Guide for detailed installation instructions on the web at frigidaire.com / frigidaire.ca

Specifications subject to change. Accessories information available on the web at frigidaire.com / frigidaire.ca

USA • 10200 David Taylor Drive • Charlotte, NC 28262 • 1-800-FRIGIDAIRE • frigidaire.com

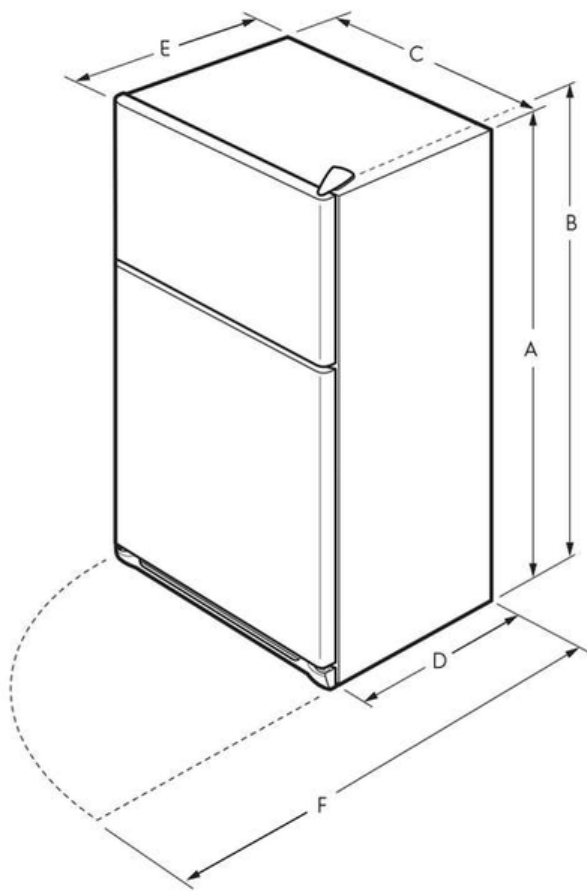
CANADA • 5855 Terry Fox Way • Mississauga, ON L5V 3E4 • 1-800-265-8352 • frigidaire.ca

Frigidaire

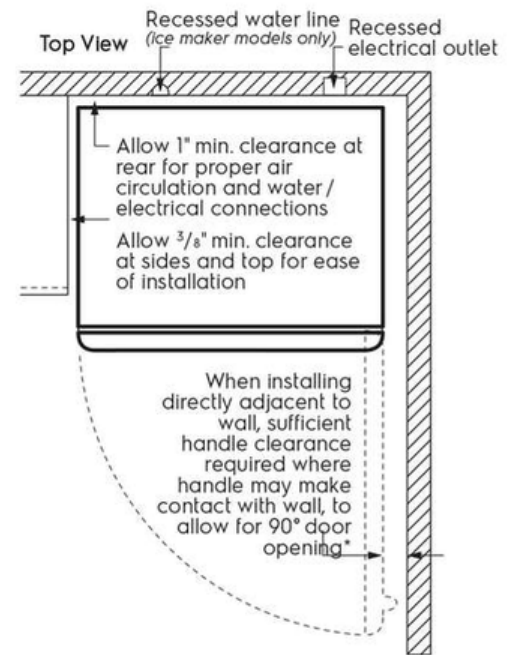
18.3 Cu. Ft. Top Freezer Refrigerator

FFTR1835VS, FFTR1835VW, FFTR1835VB

Version : 11/21



A	65 ⁷ / ₈ "
B	66 ³ / ₈ "
C	30"
D	26 ⁵ / ₈ "
E	30 ³ / ₈ "
F	57"



* When installing refrigerator adjacent to wall, cabinet or other appliance that extends beyond front edge of unit, 20" minimum clearance recommended to allow for optimum 140° door swing, providing complete crisper access and removal. (Absolute 3" minimum clearance will ONLY allow for 90° door swing which will provide limited crisper access with restricted removal.)

Note: For planning purposes only. Always consult local and national electric, gas and plumbing codes.

Refer to Product Installation Guide for detailed installation instructions on the web at frigidaire.com / frigidaire.ca

Specifications subject to change. Accessories information available on the web at frigidaire.com / frigidaire.ca

USA • 10200 David Taylor Drive • Charlotte, NC 28262 • 1-800-FRIGIDAIRE • frigidaire.com

CANADA • 5855 Terry Fox Way • Mississauga, ON L5V 3E4 • 1-800-265-8352 • frigidaire.ca