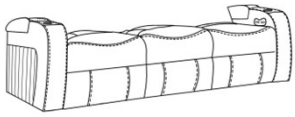
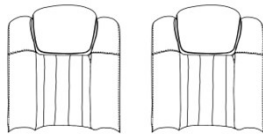
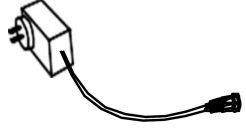
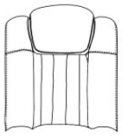

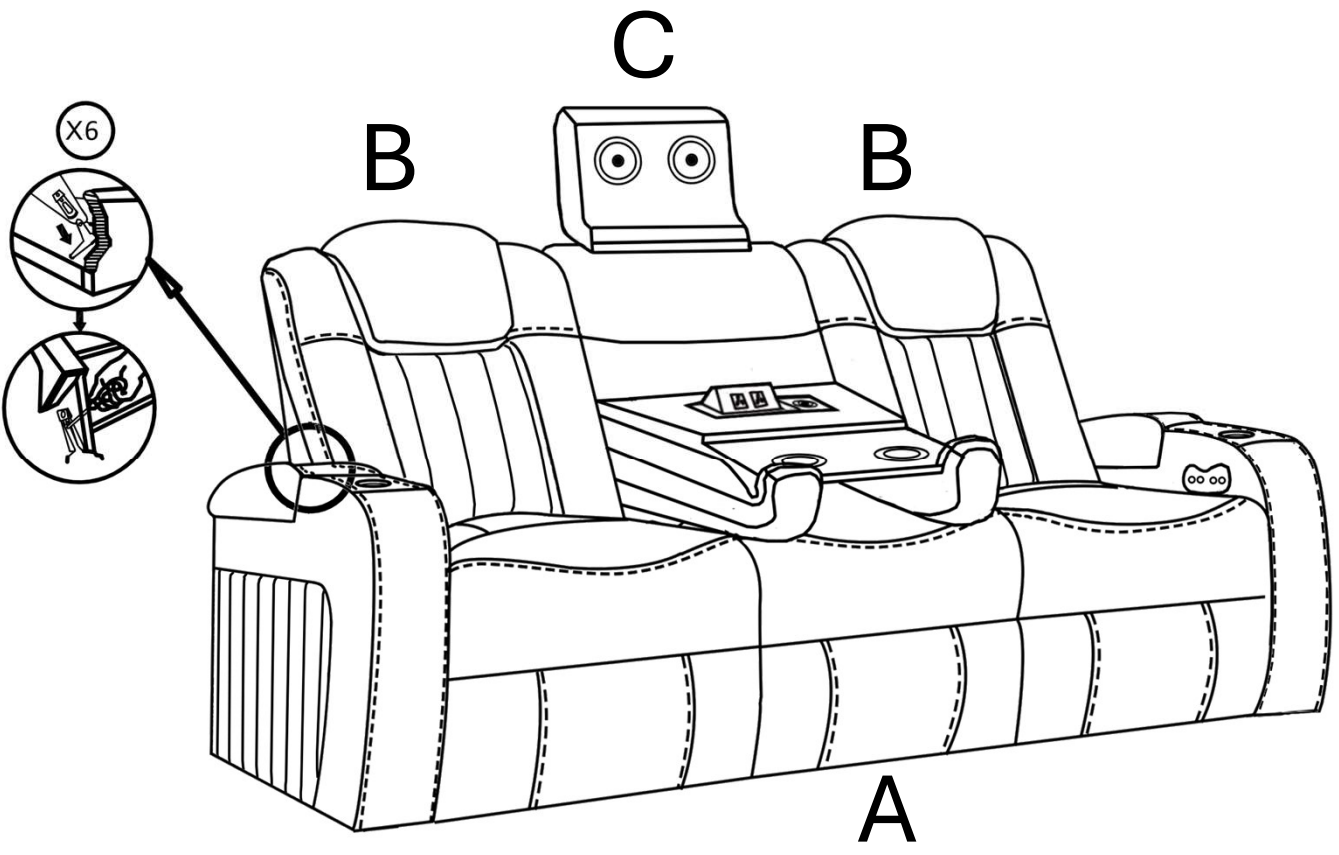


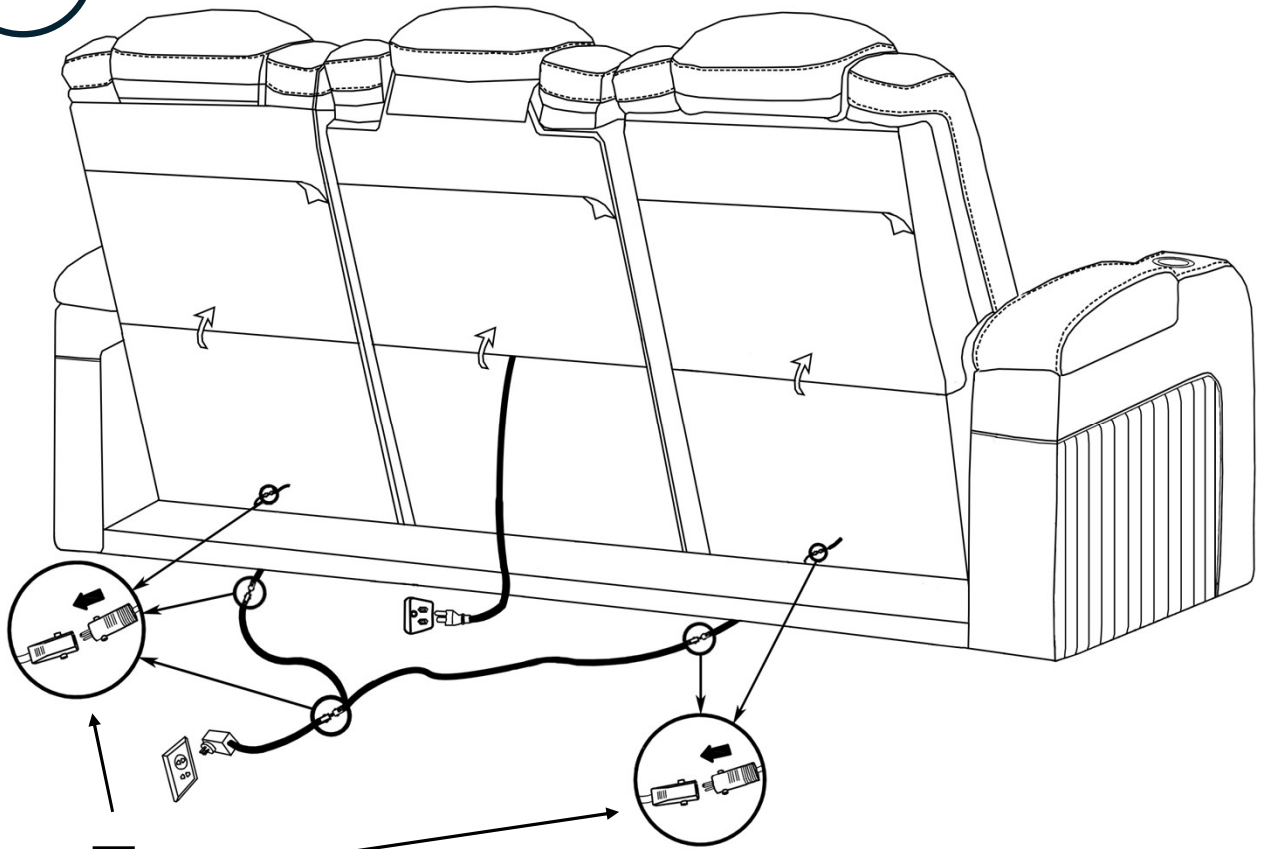
607/907 - 15

| | | |
|---|---|--|
| A x 1  | B x 2  | E x 1  |
| | C x 1  | Not included No se junta Non inclus  |

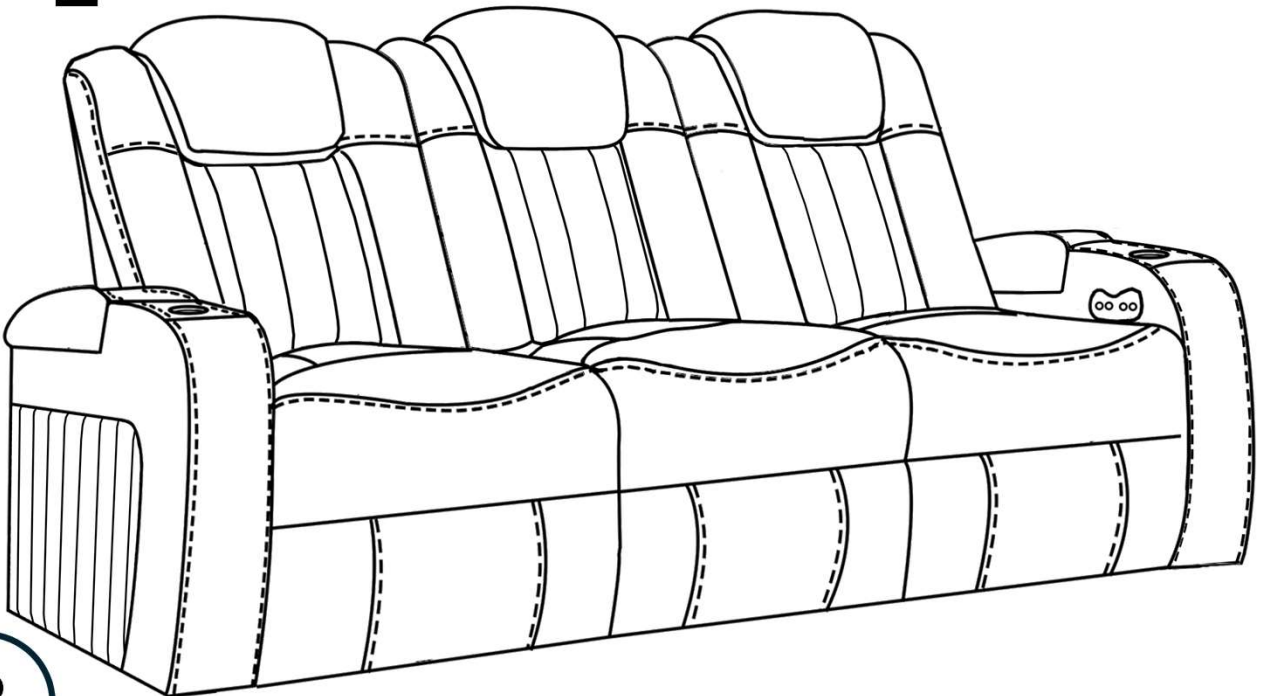


1

2



E



3