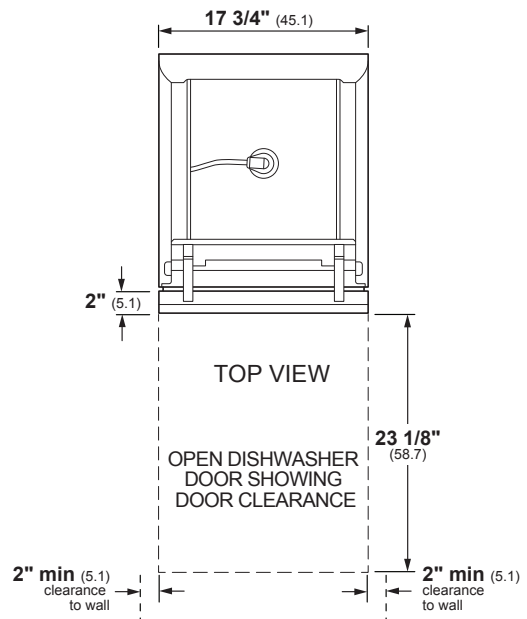
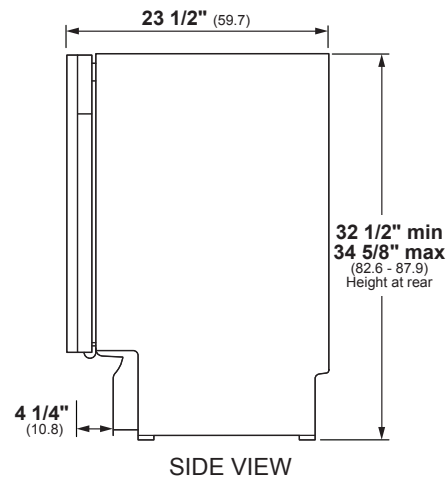
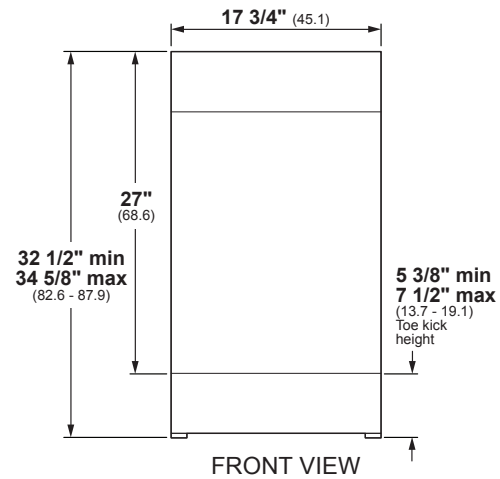




SPECIFICATIONS

Overall Width	17 3/4" (45.1 cm) (Includes tub trim)
Overall Height	32 1/2" (82.6 cm) Min 34 5/8" (87.9 cm) Max
Overall Depth	23 1/2" (59.7 cm) (Includes 3/4" panel)
Door Clearance	23 1/8" (58.7 cm)
Overall Dishwasher Capacity	8 Place Settings
Minimum Cabinet Width	17 3/4" (45.1 cm)
Minimum Cabinet Depth	23 5/8" (60.0 cm)
Cutout Width	17 3/4" (45.1 cm) Min 18" (45.7 cm) Max
Cutout Height	32 1/2" (82.6 cm) Min 34 3/4" (88.3 cm) Max
Electrical Requirements	8.9 A
Hose Length	No more than 12' (3.7 m)
Voltz/Hertz/Amps	120 V, 60 Hz, 15 or 20 amp circuit
Shipping Weight	77 lb (35 kg)

OVERALL DIMENSIONS

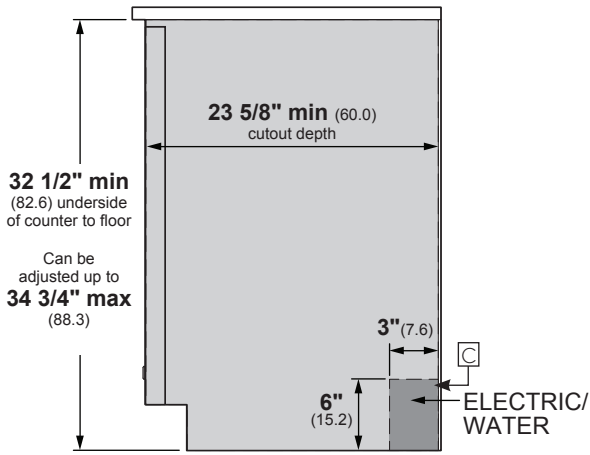


Dimensions in parentheses are in centimeters unless otherwise noted.

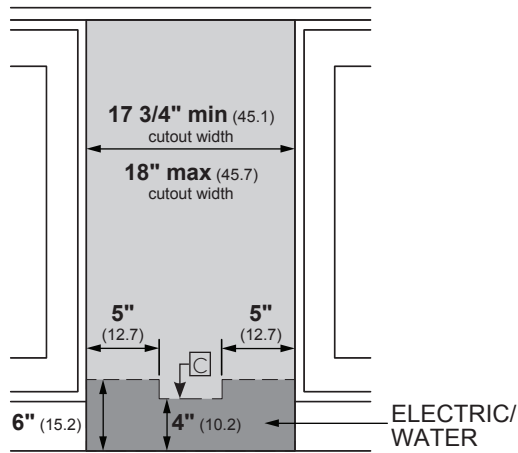
ELEVATE EVERYTHING™



INSTALLATION

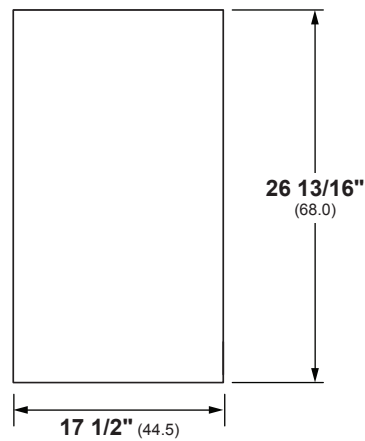


FLUSH CUTOUT INSTALLATION



INSTALLATION CUTOUT FRONT VIEW

CUSTOM PANEL



E

NOTES

- A The dishwasher drain hose must be no more than 12 feet in length for proper drainage.
- B A reduced-height installation (32-1/2" min.) beneath a 34" countertop can be accomplished.
- C Water and electrical must be routed through the back wall shown in shaded area.
- D To prevent siphoning, an air gap or high drain loop must be used.
- E A custom panel installation template (Pub. No. 31-30896) is available from GE Parts and Accessories (US 800.626.2002, Canada 800.561.3344).

CUSTOM DISHWASHER DOOR PANEL TEMPLATE
GE PUB. NO. 31-30896

SPECIAL NOTES

The custom door panel and custom handle of your choice should be secured to the dishwasher before installation begins. A template with instructions and installation hardware is provided.

For planning purposes, you may order the template in advance by calling 1.800.GE.CARES (1.800.423.2737) or by visiting our website at GEAppliances.com in the United States.

In Canada, call 1.800.561.3344 or visit www.GEAppliances.ca. Order Pub. No. 31-30896. Complete panel installation instructions are included on the template.

Maximum panel weight is 8 LBS (3.6 kg).

CALL 1-800-626-2000

For a full-size panel template with complete panel installation instructions.

ELEVATE EVERYTHING

MONOGRAM

FEATURES AND BENEFITS

CUSTOM PANEL MODEL

Designed for personalization with customer-supplied cabinet-compatible panel and custom handle

HIDDEN, INTEGRATED ELECTRONIC CONTROLS

Allow easy activation of wash cycles: heavy wash, light wash and Auto Sense

THREE-LEVEL WASH SYSTEM

Provides effective, yet quiet cleaning power

NYLON GRAY RACKS WITH BALL-TIPPED TINES

Provide plenty of space and loading flexibility

PIRANHA™ HARD FOOD DISPOSER

Grinds food into small particles that are washed away

46 DBA

Ultra-quiet operation creates a peaceful kitchen environment even as it delivers powerful wash performance



ELEVATE EVERYTHING

MONOGRAM