

ASSEMBLY INSTRUCTIONS COASTER FINE FURNITURE



Fine Furniture for every stage of life

910076
Serving Cart

ITEM:910076



ASSEMBLY INSTRUCTIONS

ASSEMBLY TIPS:

- 1.Remove hardware from box and sort by size.
- 2.Please check to see that all hardware and parts are present prior to start of assembly.
- 3.Please follow attached instructions in the same sequence as numbered to assure fast & easy assembly.

Warning !

- 1.Don't attempt to repair or modify parts that are broken or defective. Please contact the store immediately.
- 2.This product is for home use only and not intended for commercial establishment.

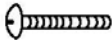
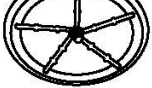
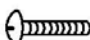



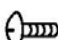

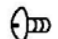


ASSEMBLY TIME

25 MINUTES

PARTS IDENTIFICATION

| | | | | | |
|-----------------|--|------|--------------------|--|------|
| A. Lower Frame | | 1PC | H(L). Long Post(L) | | 1PC |
| B. Square Frame | | 1PC | H(R). Long Post(R) | | 1PC |
| C. Round Frame | | 1PC | I. Curve Tube | | 2PCS |
| D. Big Glass | | 1PC | J. Small Post | | 2PCS |
| E. Small Glass | | 1PC | K. Handle | | 1PC |
| F. Round Glass | | 1PC | L. Short Post | | 2PCS |
| G. S Tube | | 2PCS | | | |

HARDWARE IDENTIFICATION

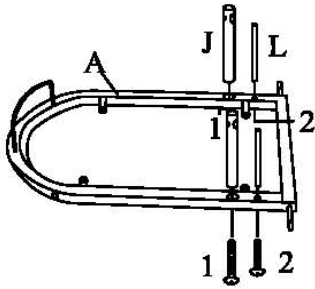
| | | | | | | | |
|---|---------------------------------------|---|-------|----|-------------------------|---|------|
| 1 | Long Bolt 1/4" x 50.8mm |  | 2PCS | 7 | Wheel 11-1/2" |  | 2PCS |
| 2 | Medium Bolt 1/4" x 38.1mm |  | 4PCS | 8 | Caster w/Cap 40mm 1" |  | 2PCS |
| 3 | Middle Bolt 1/4" x 25.4mm |  | 2PCS | 9 | Large Bead 1" |  | 6PCS |
| 4 | Short Bolt 1/4" x 15.88mm |  | 12PCS | 10 | Small Bead 3/4" |  | 2PCS |
| 5 | Small Bolt(1/4x3/8") 1/4" x 9.53mm |  | 2PCS | 11 | Wheel Lock 7/8" |  | 2PCS |
| 6 | Suction Cup 8mm |  | 12PCS | | | | |

ITEM:910076

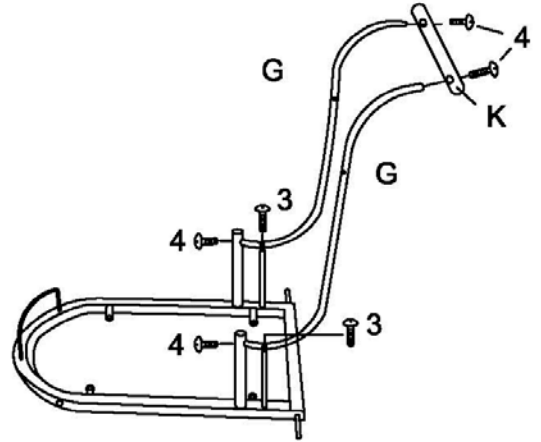
ASSEMBLY INSTRUCTIONS



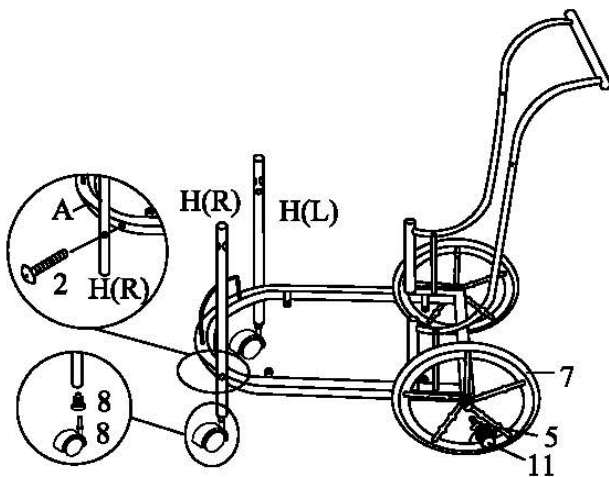
STEP 1



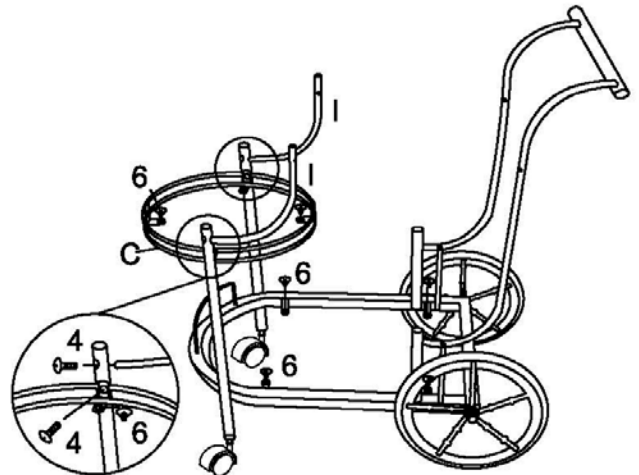
STEP 2



STEP 3



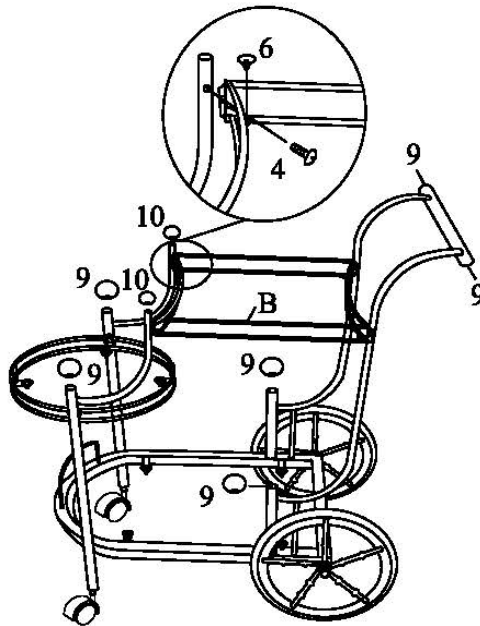
STEP 4



ITEM:910076

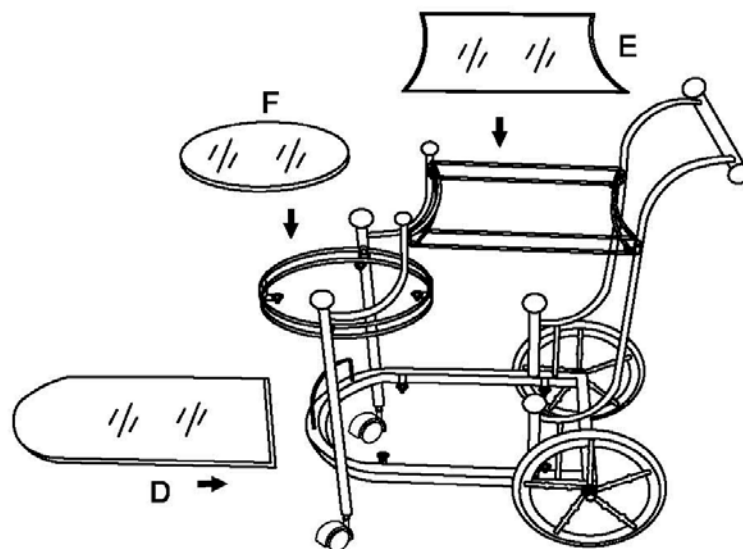
ASSEMBLY INSTRUCTIONS

STEP 5



STEP 6

COMPLETE



910076



Note : Dimension tolerance $\pm 5\%$